

season; Rake and check depth of loose fill protective surfacing materials to prevent compaction and to maintain appropriate depth. Replace as necessary.

2. TWICE A MONTH DURING play season: Tighten all hardware. Rake and check depth of loose fill protective surfacing materials to prevent compaction and to maintain appropriate depth. Replace as necessary.
3. ONCE A MONTH DURING play season: Check all moving parts including swing seats, ropes, cables, and chains for wear, rust, or other deterioration. Replace as needed.
4. At the END of each play season or when the temperature drops below 32°F: Remove plastic swing seats and other items as specified by the manufacturer and take indoors or do not use; Rake and check depth of loose fill protective surfacing materials to prevent compaction and to maintain appropriate depth. Replace as necessary; Owners shall be responsible for maintaining the legibility of the warning labels.
5. When you are ready to dispose of swing, make sure that all swing components are disposed of in accordance with local waste ordinances.
6. Swing should disassembled and disposed of in such a way that no unreasonable hazards exist at the time the swing is discarded.
7. WARNING: Failure to carry out these checks and inspections could result in fall or injury.

SAFETY INFORMATION

To reduce the likelihood of injury please follow the guidelines as outlined in this instructions. You can visit our website www.mandmsalesinc.com to review the instruction manual in the future or keep this instruction sheet for reference: Rainbow Gliderz™ Curved Swing Models: 47" Horizon (MM00164), 47" Chevron (MM00165), 60" Stripe (MM00166). The installation instructions above are reflective of the U.S. Consumer Product Safety Commission's Outdoor Playground Safety Handbook. For a complete description of installation instructions and warnings for outdoor playground equipment you can visit our website www.mandmsalesinc.com to link to the current CPSC handbook and review in its entirety.

Our products are tested to ensure safety and compliance with Consumer Product Safety Improvement Act of 2008 (CPSIA) including specifications for lead paint and phthalates and ASTM International F1148 Standard Consumer Safety Performance Specifications.

INSPIRING *outdoor* ADVENTURES

JOIN OUR MISSION TO INSPIRE CHILDREN
TO GET UP, GET OUT, AND PLAY!

MANDMSALESINC.COM

Ages
5+

Rainbow Gliderz™



RAINBOW GLIDERZ™ CURVED SWING MODELS:

47" HORIZON - MM00164
47" CHEVRON - MM00165
60" STRIPE MM00166

INSTRUCTIONS

ASSEMBLY • INSTALLATION • OPERATION • MAINTENANCE • SAFETY

M&M

M&M SALES ENTERPRISES, INC.
Dubuque, Iowa 877.242.0154
mandmsalesinc.com

Rainbow Gliderz™

ASSEMBLY INSTRUCTIONS

BEFORE YOU START: Observing the following statements and warnings reduces the likelihood of serious or fatal injury.

- **WARNING:** Due to the presence of small parts during assembly, keep out of reach of children until assembly is complete. To prevent serious injury, children must not use the swing until properly installed.
- Assembly should be completed by adult person(s). We intend for our products to bring joy not frustration. Because Rainbow Gliderz™ is meant to enjoy with friends too, we say invite a friend (or someone you can spend at least 20 minutes with) to help you assemble and install your new swing.
- A flat level surface approximately 6 ft. x 4 ft. will be needed to spread out swing cover material for assembly.
- Two hex key tools are included and will be needed for assembly. Please keep tools with instructions for future reference.

ASSEMBLY

1. Lay out the mat on your flat workspace with the patch side up.
2. Insert the two longer sidebars into the long-side sleeves. Both poles should arc up in the same direction similar to the bottom of a boat, not arc down into the ground surface like the shape of a rainbow.



ADJUSTING SWING HEIGHT

Adjust swing hanging length so bottom of swing when rider is in it is parallel with the ground. Bottom of swing with rider on it should be no more than 24 in. and no less than 18 in. from the ground.

Ensure that the swing hangs horizontal after adjustment of the ropes.

OPERATION INSTRUCTIONS

1. An adult should supervise play on this product for children of all ages.
2. Only for family residential domestic use. Designed for single rider use or two plus riders. simultaneously. Any combination of riders should not exceed 400 lb. maximum load.
3. Maximum fall height 9 ft. (determined by swing pivot point, maximum hanging rope length and 24 in. above ground surface).
4. **WARNING:** Riders should be dressed appropriately including wearing well-fitting shoes that fully protect feet. Remove articles before swinging that create hazards when they get tangled and caught (examples include: ponchos, scarves, and other loose-fitting clothing, bike or sports helmets. Instruct children: Not to swing higher than hook attachment • Get off swing only after it has completely stopped and hold onto the rope or chain until both feet are planted firmly on the ground • Not to twist swing chains or ropes or loop them over the top support bar since this may reduce the strength of the chain or rope • To avoid swinging empty seats • Not to walk close to, in front of, or behind, or between moving items • To sit in center of the swings with their full weight on the seats • Not to use the equipment in a manner other than intended • Not to attach items to the playground equipment that are not specifically designed for use with the equipment, such as, but not limited to, jump ropes, clothesline, pet leashes, cables and chain as they may cause a strangulation hazard • To remove their bike or other sports helmet before playing on the playground equipment • Do not climb swing when it is wet • In direct sunlight, check that seating surface is not too hot.

MAINTENANCE INSTRUCTIONS

1. At the BEGINNING of each play season: Check all moving parts including swing seats, ropes, cables, and chains for wear, rust, or other deterioration; Replace as needed. Tighten all hardware. Check metal parts for rust. If found, sand and repaint using a non-lead-based paint meeting the requirements of 16 CFR 1303; Reinstall any plastic parts, such as swing seats or any other items that were removed for the cold

Poured-In-Place Surfaces or Pre-Manufactured Rubber Tiles

You may be interested in using surfacing other than loose-fill materials—like rubber tiles or poured-in-place surfaces.

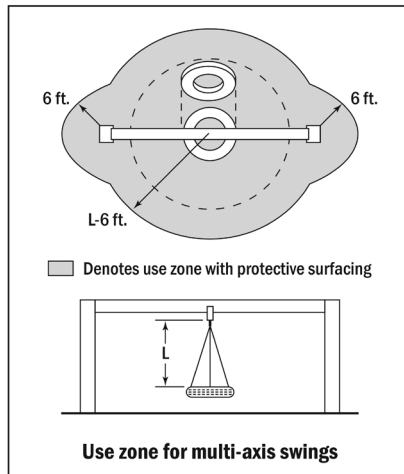
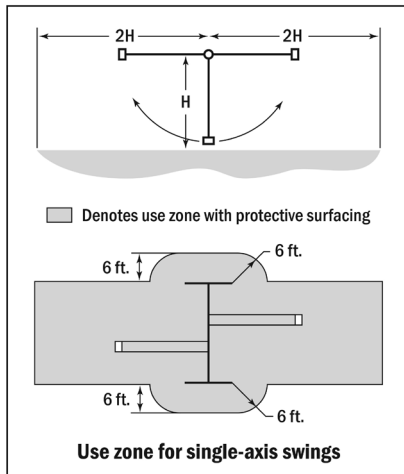
- Installations of these surfaces generally require a professional and are not “do-it-yourself” projects.
- Review surface specifications before purchasing this type of surfacing. Ask the installer/ manufacturer for a report showing that the product has been tested to the following safety standard: ASTM F1292 Standard Specification for Impact Attenuation of Surfacing Materials within the Use Zone of Playground Equipment. This report should show the specific height for which the surface is intended to protect against serious head injury. This height should be equal to or greater than the fall height—vertical distance between a designated play surface (elevated surface for standing, sitting, or climbing) and the protective surfacing below—of your play equipment.
- Check the protective surfacing frequently for wear.

Placement

Proper placement and maintenance of protective surfacing is essential.

Be sure to:

- Extend surfacing at least 6 feet from the equipment in all directions.
- For to-fro swings, extend protective surfacing in front of and behind the swing to a distance equal to twice the height of the top bar from which the swing is suspended.
- For tire swings, extend surfacing in a circle whose radius is equal to the height of the suspending chain or rope, plus 6 feet in all directions.



3. Choose one short end of the swing to begin assembly. Insert one short sidebar into a short-end sleeve.



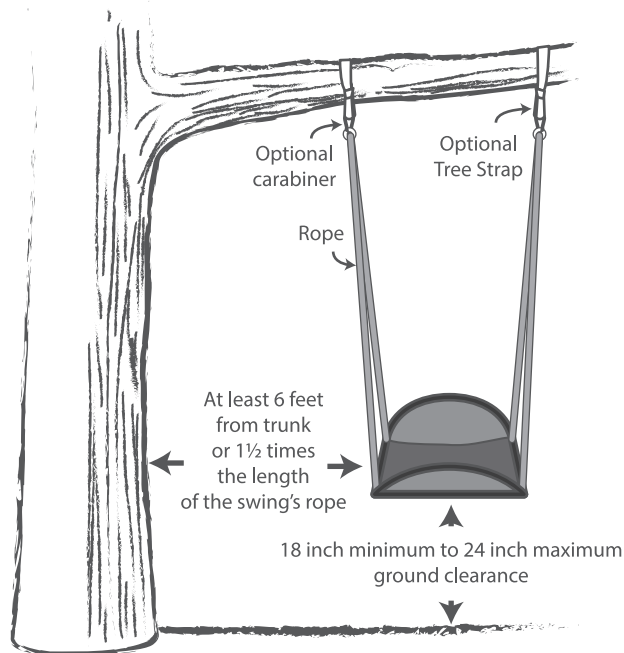
4. On that same end, connect a plastic corner connector to the end of one of the long bars and one of the short bars. Make sure the rope knots are on the bottom side of swing near ground surface.
5. Loosely attach the corner connector to the bars. Push the barrel end of bolt up through the bottom side of one of the hardware openings on the corner connector. Drop the threaded bolt down into the same opening. Connect the two through hand tightening of the bolts.



IMPORTANT: Do not fully tighten until all four corner connectors are in place. It is helpful to have a little movement until all four corner assemblies are connected to the bars.

6. Remain on that same end of the swing. Repeat steps 4 and 5 with the second set of corner connectors. Make sure your corner connector sets run along the sides or length of the swing (as pictured on front of manual) and do not cross over top of the swing or run along the front and back sides.
7. Move to opposite end of swing. Insert short bar into the mat sleeve. Sandwich the corner connectors over the long and short bar ends, making sure rope knots are on bottom side and insert and hand tighten hardware. **IMPORTANT: Before connecting the final two corner assemblies, make sure the ropes are running the length of the swing are not twisted or knotted in anyway.**
8. Once all corner connectors are loosely attached in place, use both hex keys to tighten the bolt/barrel assemblies. Use one hex key to keep one end of the bolt assembly in a fixed position and use the other hex key to turn the other end in a clockwise direction to tighten.

INSTALLATION INSTRUCTIONS



TREE LIMB ASSEMBLY: Test tree limb to ensure that it will hold the weight limit of 400 lbs. safely.

SWING SET OR OTHER HORIZONTAL BEAM ASSEMBLY: Attach swing to a swing set by removing two sets of swings from the existing swing set and attach the four metal loops to the swing support hook hardware installed on equipment or optional carabiners/spring clips.

1. Do not install home playground equipment over concrete, asphalt, packed earth, grass, carpet or any other hard surface. A fall onto a hard surface can result in serious injury or death to the equipment user.
2. To prevent serious injury, children must not use the equipment until properly installed.
3. Confirm that the supporting structure is secure, it will support at least 400 lbs., is over level ground, has a minimum height of 7 ft. and is no less than 6 ft. on all sides from vertical elements. Swing should have a clearance of at least 1.5 times the total length of all the rope measured from the tree limb/horizontal beam to the spring clip(s) attachment point.
4. Adjust swing hanging length so platform is parallel with ground. Bottom of swing should be no more than 24 in. and no less than 18 in. from the ground.
5. Never add extra length to chain or rope. The chains or ropes provided are the maximum length designed for the swinging element(s).

SELECT PROTECTIVE SURFACING

One of the most important things you can do to reduce the likelihood of serious head injuries is to install shock-absorbing protective surfacing under and around your play equipment. The protective surfacing should be applied to a depth that is suitable for the equipment height in accordance with ASTM F1292. There are different types of surfacing to choose from; whichever product you select, follow these guidelines:

NOTE: Do not install home playground equipment over concrete, asphalt, or any other hard surface. A fall onto a hard surface can result in serious injury to the equipment user. Grass and dirt are not considered protective surfacing because wear and environmental factors can reduce their shock absorbing effectiveness. Carpeting and thin mats are generally not adequate protective surfacing. Ground level equipment—such as a sandbox, activity wall, playhouse or other equipment that has no elevated play surface—does not need any protective surfacing

Loose-Fill Materials

- Maintain a minimum depth of 9 inches of loose-fill materials such as wood mulch/chips, engineered wood fiber (EWF), or shredded/recycled rubber mulch for equipment up to 8 feet high; and 9 inches of sand or pea gravel for equipment up to 5 feet high. NOTE: An initial fill level of 12 inches will compress to about a 9-inch depth of surfacing over time. The surfacing will also compact, displace, and settle, and should be periodically refilled to maintain at least a 9-inch depth.
- Use a minimum of 6 inches of protective surfacing for play equipment less than 4 feet in height. If maintained properly, this should be adequate. (At depths less than 6 inches, the protective material is too easily displaced or compacted.)
- Use containment, such as digging out around the perimeter and/or lining the perimeter with landscape edging. Don't forget to account for water drainage.
- Check and maintain the depth of the loose-fill surfacing material. To maintain the right amount of loose-fill materials, mark the correct level on play equipment support posts. That way you can easily see when to replenish and/or redistribute the surfacing.
- Do not install loose fill surfacing over hard surfaces such as concrete or asphalt.