

SPEC# _____

QUANTITY _____

models:

RSCF 124



The Nuova Simonelli PS124 hardness reduction cartridge helps to provide consistent high quality water for espresso and espresso based drinks at flow rates up to 1.0 gpm (3.7 lpm) . A strong-acid ion-exchange resin reduces calcium and magnesium ions to help prevent hard scale formation on boilers. Hard scale can result in energy inefficiency, equipment downtime and expensive service calls. Premium activated carbon reduces chlorine taste and odor as well as bitterness associated with poor water quality.

The Nuova valved head allows for sanitary, quick and easy cartridge change outs. Simply turn the cartridge a ¼ of a turn to shut off the incoming water and disengage the old cartridge.

PRODUCT BENEFITS

- Consistent, great tasting espresso and espresso drinks from water with reduced hardness and chlorine taste and order.
- Reduced hard scale formation on the heating coils by the reduction of calcium and magnesium ions results in improved energy efficiency and reduced downtime and expensive service calls.
- Valve-in-head design simultaneously shuts off and vents water with 1/4 turn, allowing for simple and virtually trouble-free cartridge change-outs.
- 3/8" FNPT horizontal inlet and outlet ports allow direct or easily adaptable connections to existing plumbing lines.
- Sanitary Quick Change (SQC) encapsulated cartridges reduce contamination during change-outs.
- FDA CFR-21 and/or NSF compliant materials.

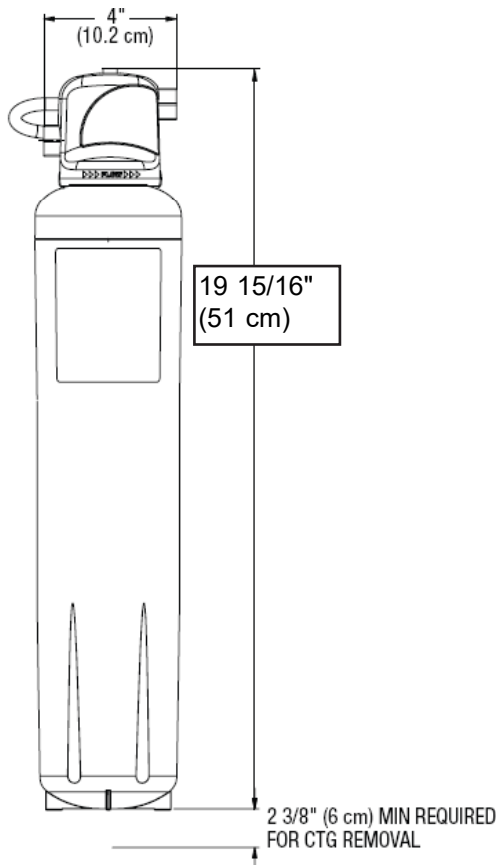
PRODUCT SPECIFICATIONS

Model Number	Part Number	Description	Reduction Claims	Service Flow Rate	Capacity	Sizing
RSCF 124	Nuovart014	Hardness Reduction Cartridge	Hardness, Chlorine Taste & Odor	0.5 gpm (1.9 lpm)	1,100 grains	Approximate Capacity in Gallons = Grain Capacity/Incoming Water Hardness in Grains
Nuova Head	Nuovart005	3/8" NPT Valved Head	N/A	N/A	N/A	

RSC124



SPEC# _____
QUANTITY _____
MODEL NUMBER _____
PART NUMBER _____



⚠ WARNING: To reduce the risk associated with the ingestion of contaminants:

- Do not use with water that is microbiologically unsafe or of unknown quality without adequate disinfection before or after the system.

Manufacturer recommends regularly scheduled maintenance and replacement of the filter cartridge(s) in order for the product to perform as advertised/sold. Manufacturer shall not be liable for system failures due to improper maintenance.

LIMITED WARRANTY

Manufacturer warrants this Product will be free from defects in material and manufacture for five (5) years from the date of purchase: The filter cartridge or filter membrane is warranted to be free from defects in material and manufacture for one (1) year. This warranty does not cover failures resulting from abuse, misuse, alteration, or damage not caused by the manufacturer or failure to follow installation and use instructions. No warranty is given as to the service life of any filter cartridge or membrane as it will vary with local water conditions and water consumption.

MANUFACTURER MAKES NO OTHER WARRANTIES OR CONDITIONS, EXPRESS OR IMPLIED, BUT NOT LIMITED TO, ANY IMPLIED WARRANTY OR CONDITION OF MERCHANTABILITY OR FITNESS FOR A PARTICULAR PURPOSE OR ANY IMPLIED WARRANTY OR CONDITION ARISING OUT OF A COURSE OF DEALING, CUSTOMER OR USAGE OF TRADE. If the Product fails to satisfy this Limited Warranty during the warranty period, the Manufacturer will replace the Product or refund your Product purchase price. This warranty does not cover labor. **The remedy stated in this paragraph is Customer's sole remedy and the Manufacturer's exclusive obligation.** For additional information, see the entire Limited Warranty located in the product Installation and Operating Instruction Manual.

Limitations of Liability: Manufacturer will not be liable for any loss or damage arising from this product, whether direct, indirect, special, incidental, or consequential, regardless of the legal theory asserted, including warranty, contract, negligence or strict liability. Some states and countries do not allow the exclusion or limitation of incidental or consequential damages, so the above limitation or exclusion may not apply to you.

PHYSICAL SPECIFICATIONS

- Maximum operating pressure of 125 psi (862 kPa)
- Maximum operating temperature of 100° F (37.8° C)
- Service flow rate of 0.5 gpm (1.9 lpm)
- System materials are NSF and/or FDA CFR-21 compliant
- Cartridges are sanitary in design, requiring no contact with the filter media during cartridge change-out
- Filter cartridges require no activation

IMPORTANT: INSTALLATION TIPS

These installation tips are for informational purposes only and are not intended to be used as actual installation instructions. **CAUTION: To reduce the risk associated with property damage due to water leakage:**

- Read and follow Use Instructions before installation and use of this system.
- Installation and use **MUST** comply with all state and local plumbing codes.
- **Protect from freezing**, remove filter cartridge when temperatures are expected to drop below 40°F (4.4°C).
- **Do not install on hot water supply lines.** The maximum operating water temperature of this filter system is 100°F (37.8°C).
- **Do not install** if water pressure exceeds 125 psi (862 kPa). If your water pressure exceeds 80 psi (552 kPa), you must install a pressure limiting valve. Contact a plumbing professional if you are uncertain how to check your water pressure.
- **Do not install** where water hammer conditions may occur. If water hammer conditions exist you must install a water hammer arrester. Contact a plumbing professional if you are uncertain how to check for this condition.
- The disposable filter cartridge **MUST** be replaced every 12 months, at the rated capacity or if a noticeable reduction in flow rate occurs.

NUOVA SIMONELLI USA, LLC
6940 SALASHAN PKWY - BLDG A
FERNDAL, WA 98248
T. 360-366-2226 - FAX 360-366-4015

NSF is a trademark of NSF International.

Please recycle. Printed in U.S.A.