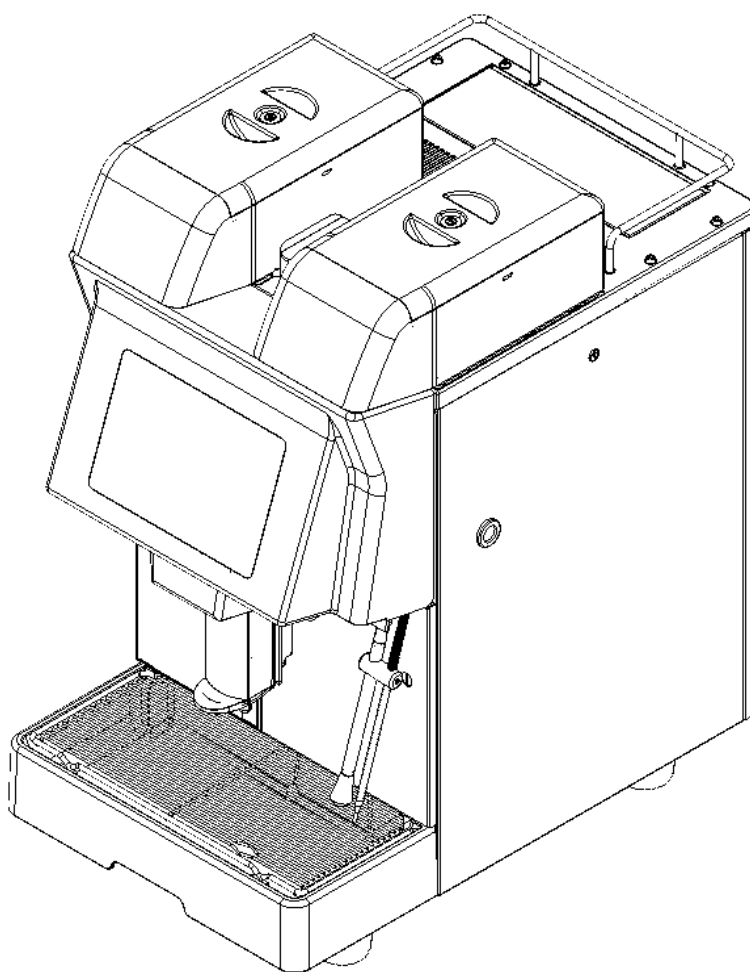


PRODOTTI / RICAMBI
PRODUCTS / SPARE PARTS
PRODUITS / PIÈCES DÉTACHÉES
PRODUKTE / ERSATZTEILE
PRODUCTOS / REPUESTOS

PRONTOBAR TFT

Esplosi

12-2018



INDICE

- » TAV □1 - **COMPONENTI GRUPPO CARENA**
CABINET PARTS
- » TAV □2 - **COMPONENTI TELAIO - TANICA**
TANK FRAME PARTS
- » TAV □3 - **COMPONENTI CALDAIA**
BOILER PARTS
- » TAV □4 - **COMPONENTI GRUPPO EROGAZIONE**
POURING UNIT GROUP PARTS
- » TAV □5 - **COMPONENTI MACININI**
GRINDERS PARTS
- » TAV □6 - **COMPONENTI ELETTRICI ED ELETTRONICI**
ELECTRONIC & ELECTRIC PARTS
- » TAV □7 - **COMPONENTI POMPA LANCIA VAPORE-ACQUA CALDA**
COMPONENT PUMP – STEAM – HOT WATER
- » TAV □8 - **COMPONENTI IDRAULICI**
HYDRAULIC COMPONENT
- » TAV □9 - **COMPONENTI EASY CREAM**
EASY CREAM COMPONENT
- » TAV 1□ – **ELENCO OPTIONAL**
OPTIONAL PARTS

» LEGENDA :

I CODICI SCRITTI IN GRASSETTO SI RIFERISCONO AI COMPONENTI IMPIEGATI ATTUALMENTE.

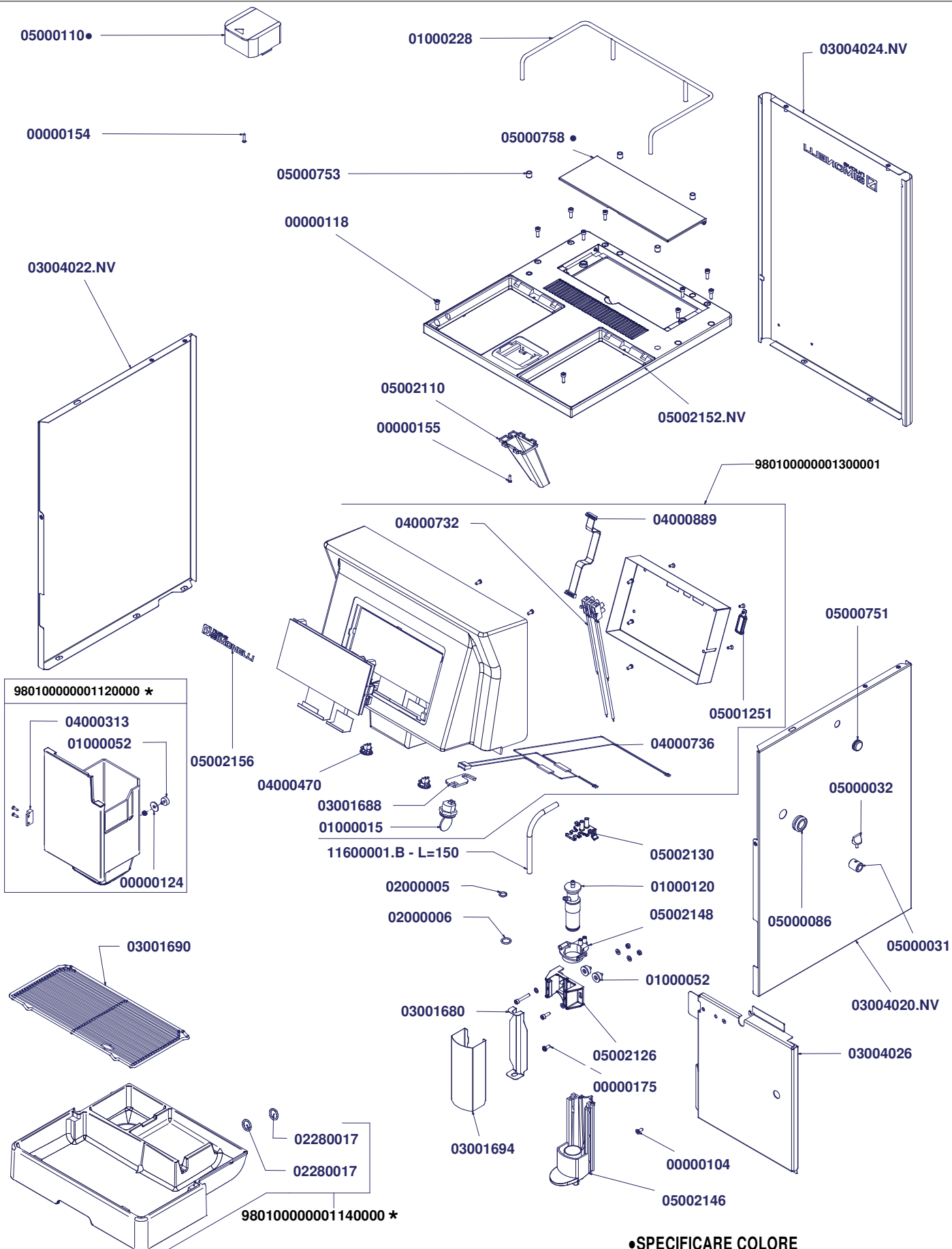
I CODICI IMPIEGATI PRIMA SONO SCRITTI IN CORSIVO CON INDICATA A FIANCO LA DATA DI FINE VALIDITA'.

ESEMPIO:

07300127 (φ2.5) - 16/05/2007
07300226 (φ2)

COMPONENTI GRUPPO CARENA CABINET PARTS

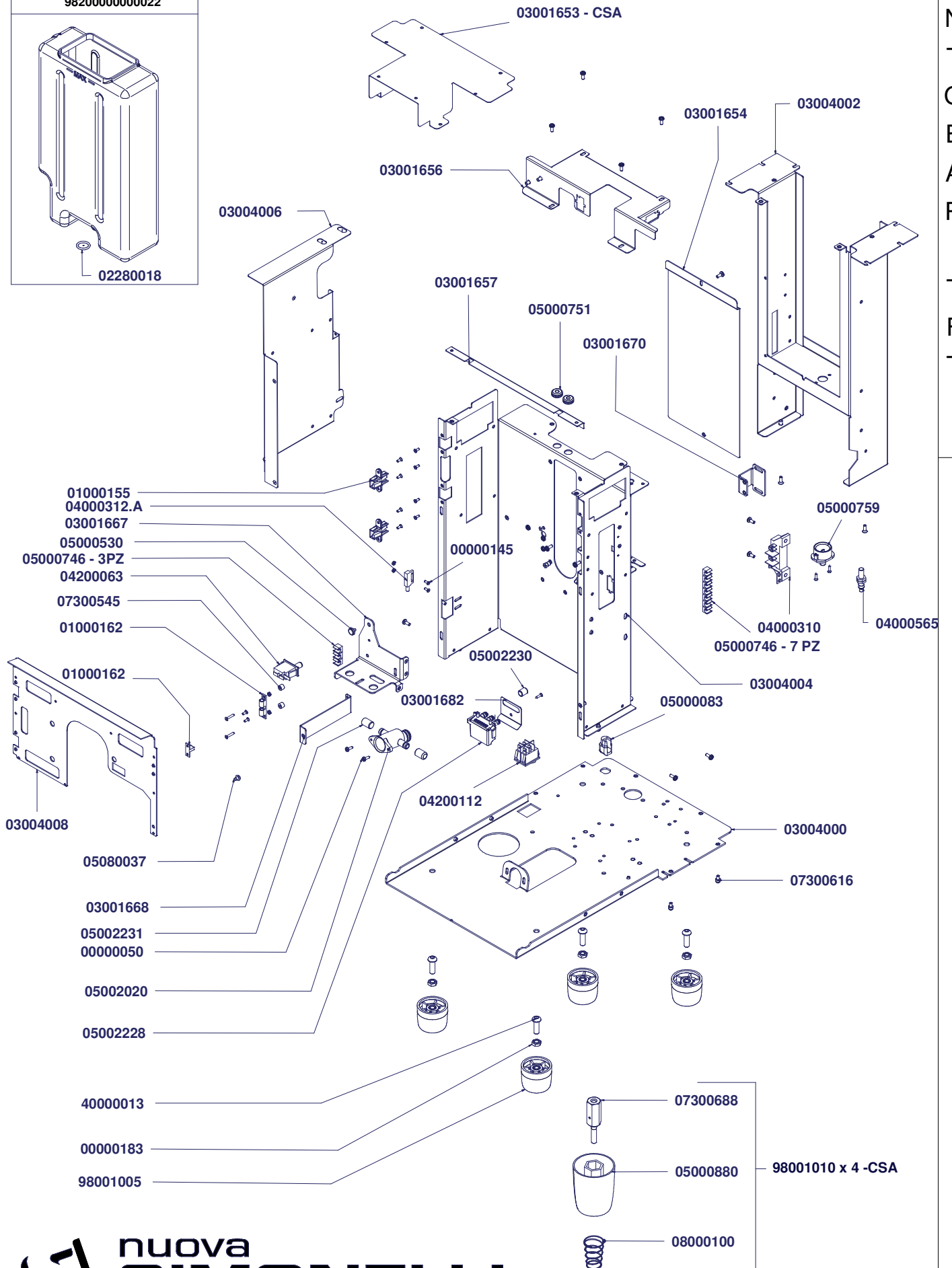
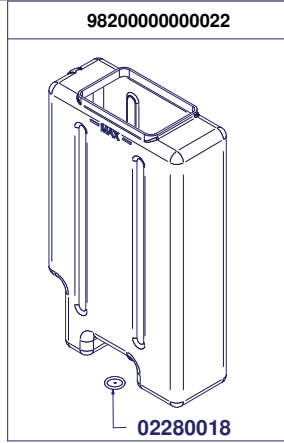
P
R
O
N
T
O
B
A
R
T
T
E



•SPECIFICARE COLORE
SPECIFY COLOR

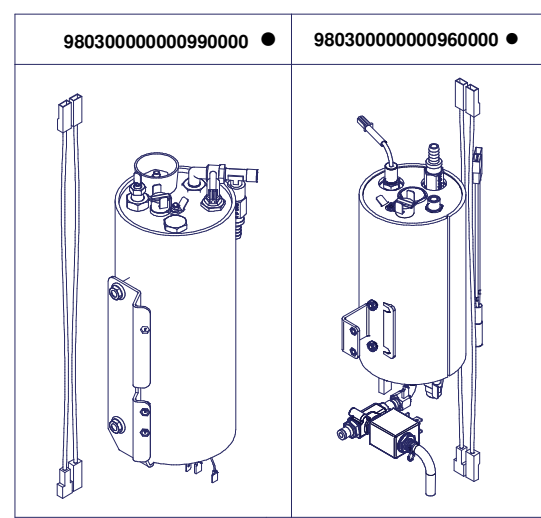
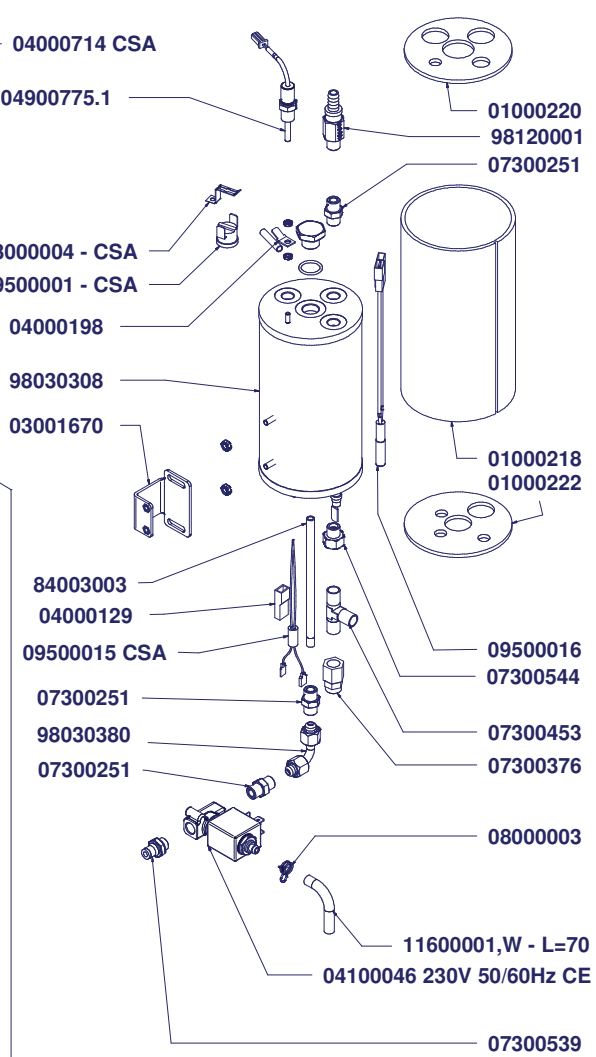
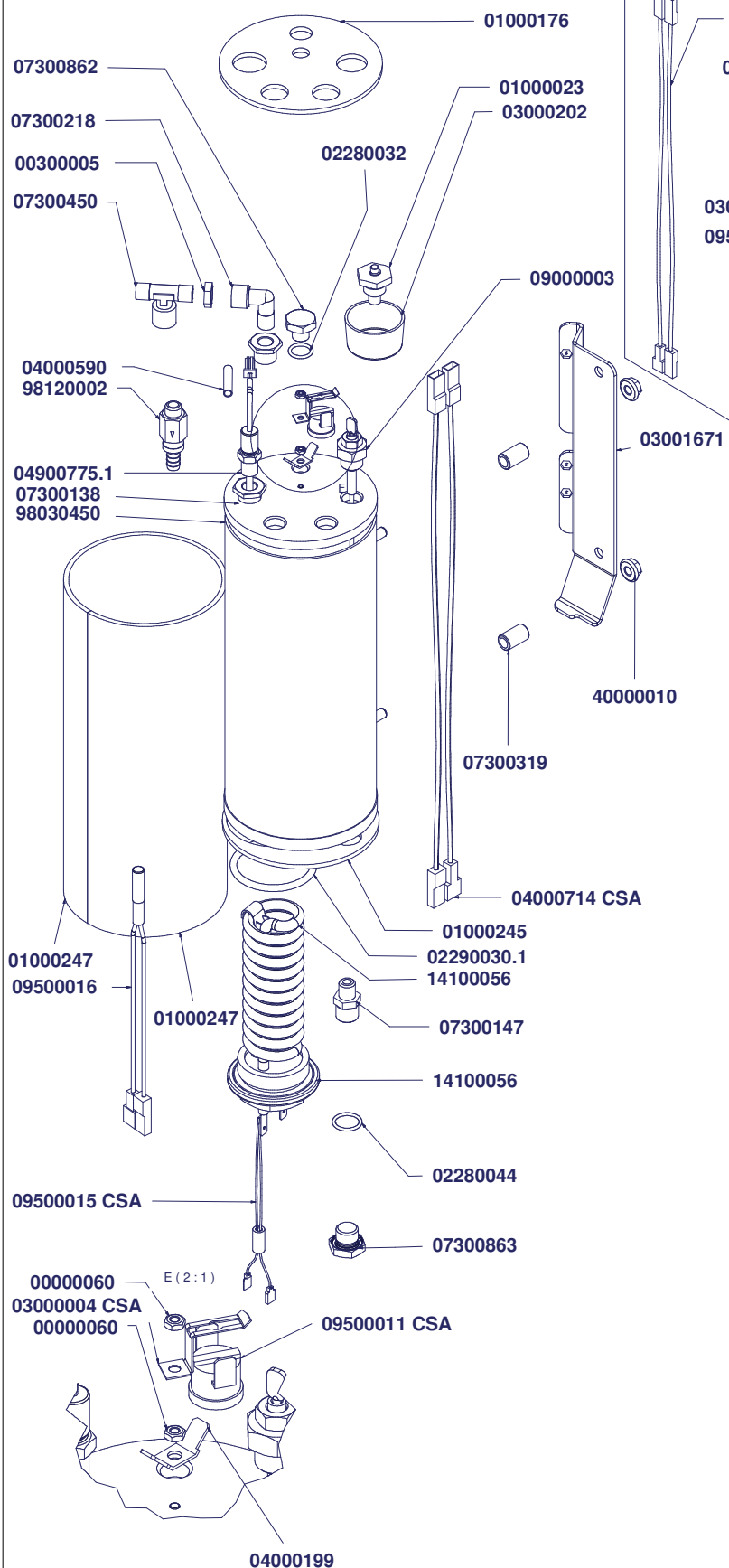
* SPECIFICARE VERSIONE
SPECIFY VERSION

COMPONENTI TELAIO TANICA TANK FRAME COMPONENTS



COMPONENTI CALDIA BOILERS COMPONENTS

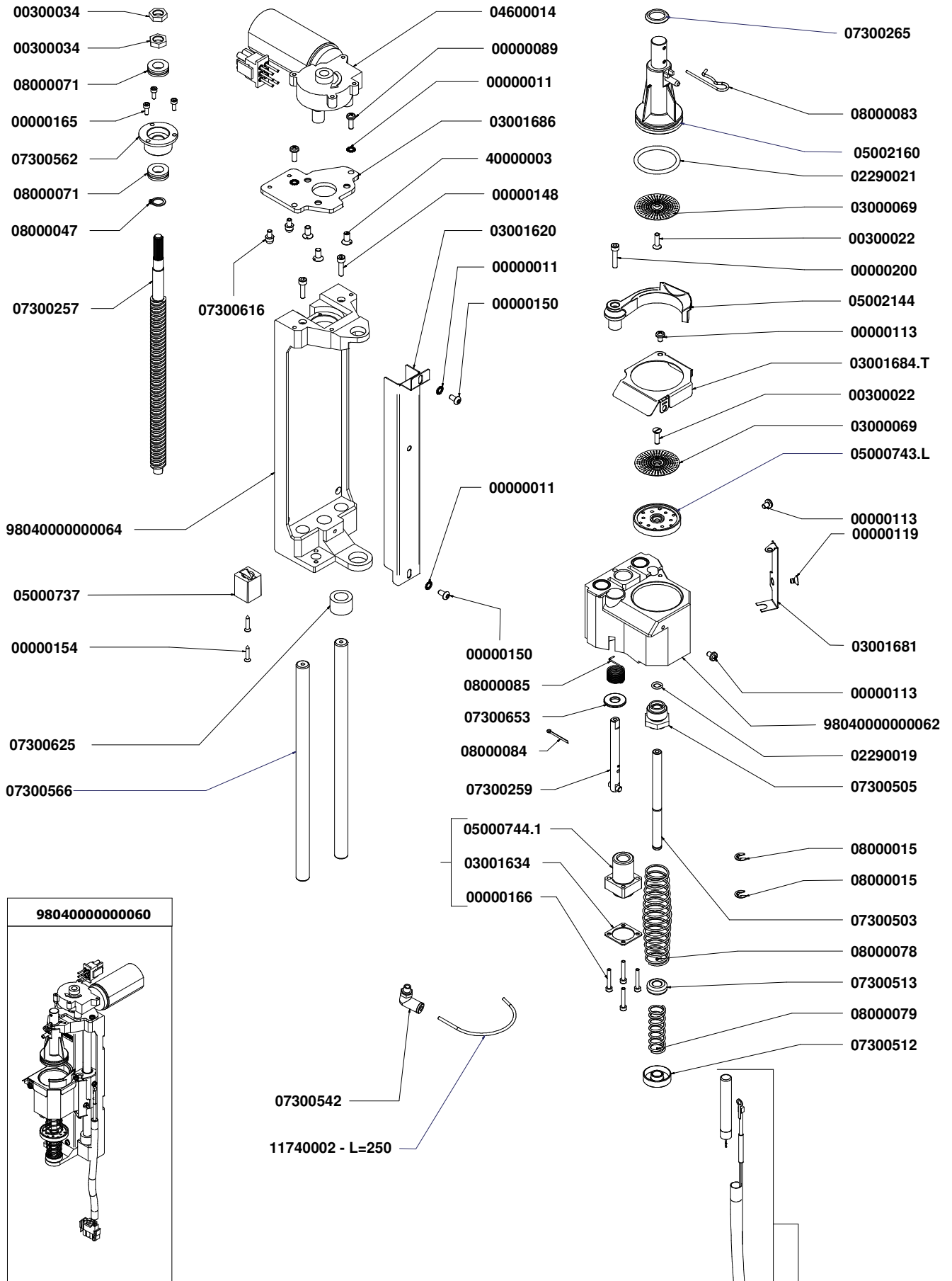
P
R
O
N
T
O
B
A
R
T
E



● SPECIFICARE VERSIONE
SPECIFY VERSION

COMPONENTI GRUPPO EROGAZIONE GROUP UNIT COMPONENTS

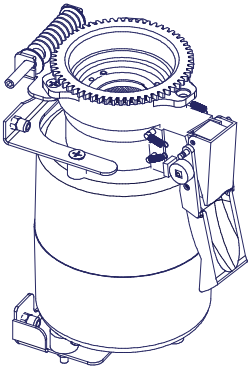
P
R
O
N
T
O
B
A
R
T
T
O



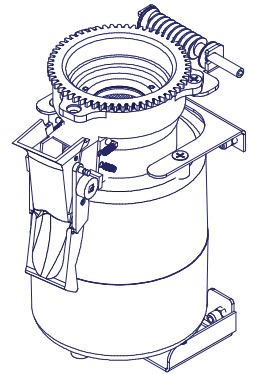
COMPONENTI MACININI GRINDERS COMPONENTS

P
R
O
N
T
O
B
A
R
T
F
T

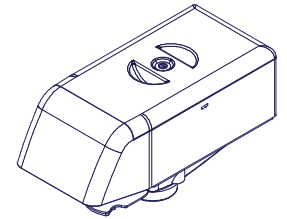
9814000000026



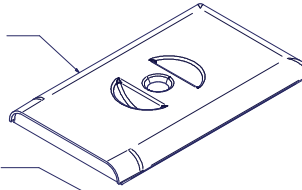
9814000000024



98010000000118

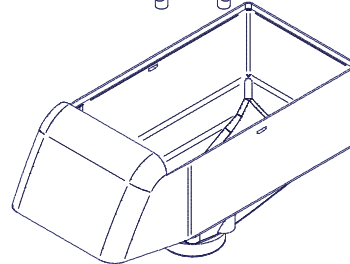


05002114



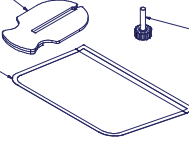
00000169

15050011



15000040

05002113



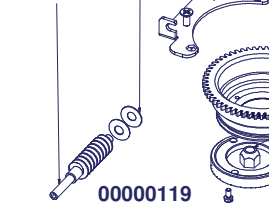
05000029

00000104

03001663

08000038

07300522



84005001

15800038

15800046

00000134

02290025

00000134

15800046

85060006

08000081

00000165

03001623

03001623

03001623

03001623

03001623

03001623

03001623

03001623

03001623

03001623

03001623

03001623

03001623

03001623

03001623

03001623

03001623

03001623

03001623

03001623

03001623

03001623

03001623

03001623

03001623

03001623

03001623

03001623

03001623

03001623

00000104

03001486

84005001

15800038

15800046

00000134

02290025

15800046

85060006

08000081

00000165

03001623

03001623

03001623

03001623

03001623

03001623

03001623

03001623

03001623

03001623

03001623

03001623

03001623

03001623

03001623

03001623

03001623

03001623

03001623

03001623

03001623

03001623

03001623

03001623

03001623

03001623

03001623

03001623

03001623

03001623

03001659

84005004

01000270

03001661

00000011

00000199

00000199

00000199

00000199

00000199

00000199

00000199

00000199

00000199

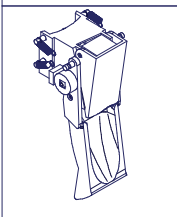
00000199

00000199

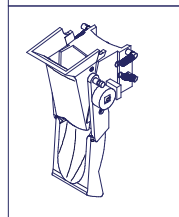
00000199

00000199

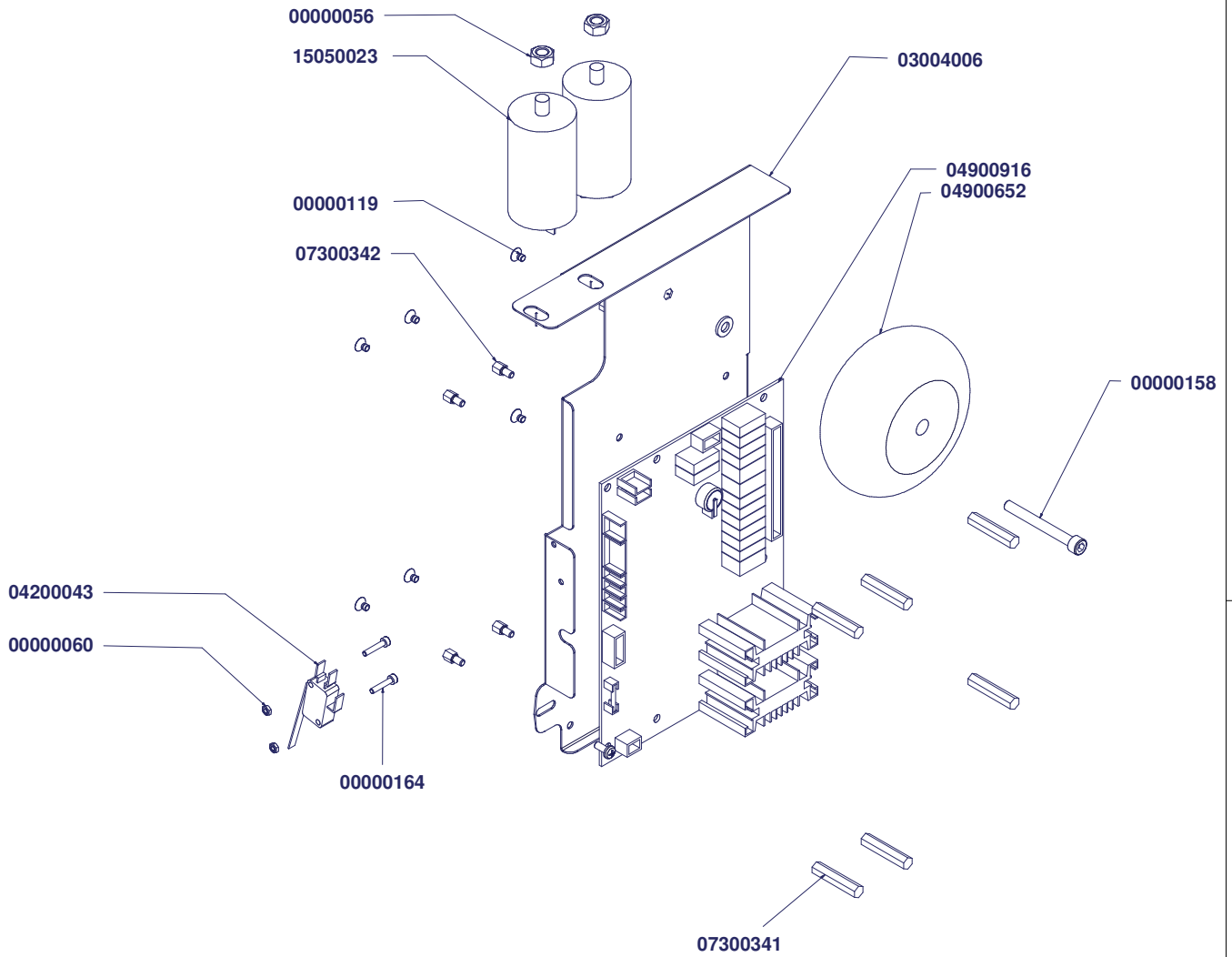
98140000000033



98140000000031

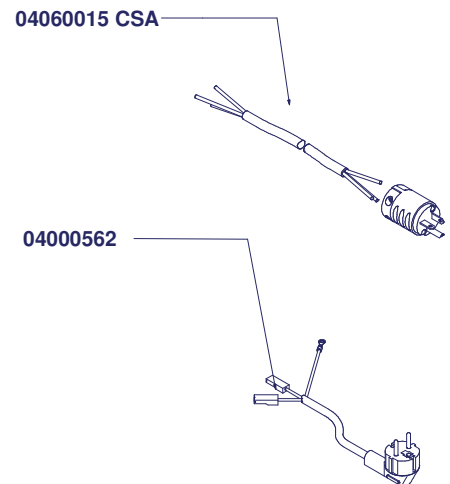


COMPONENTI ELETTRICI ELECTRIC PARTS



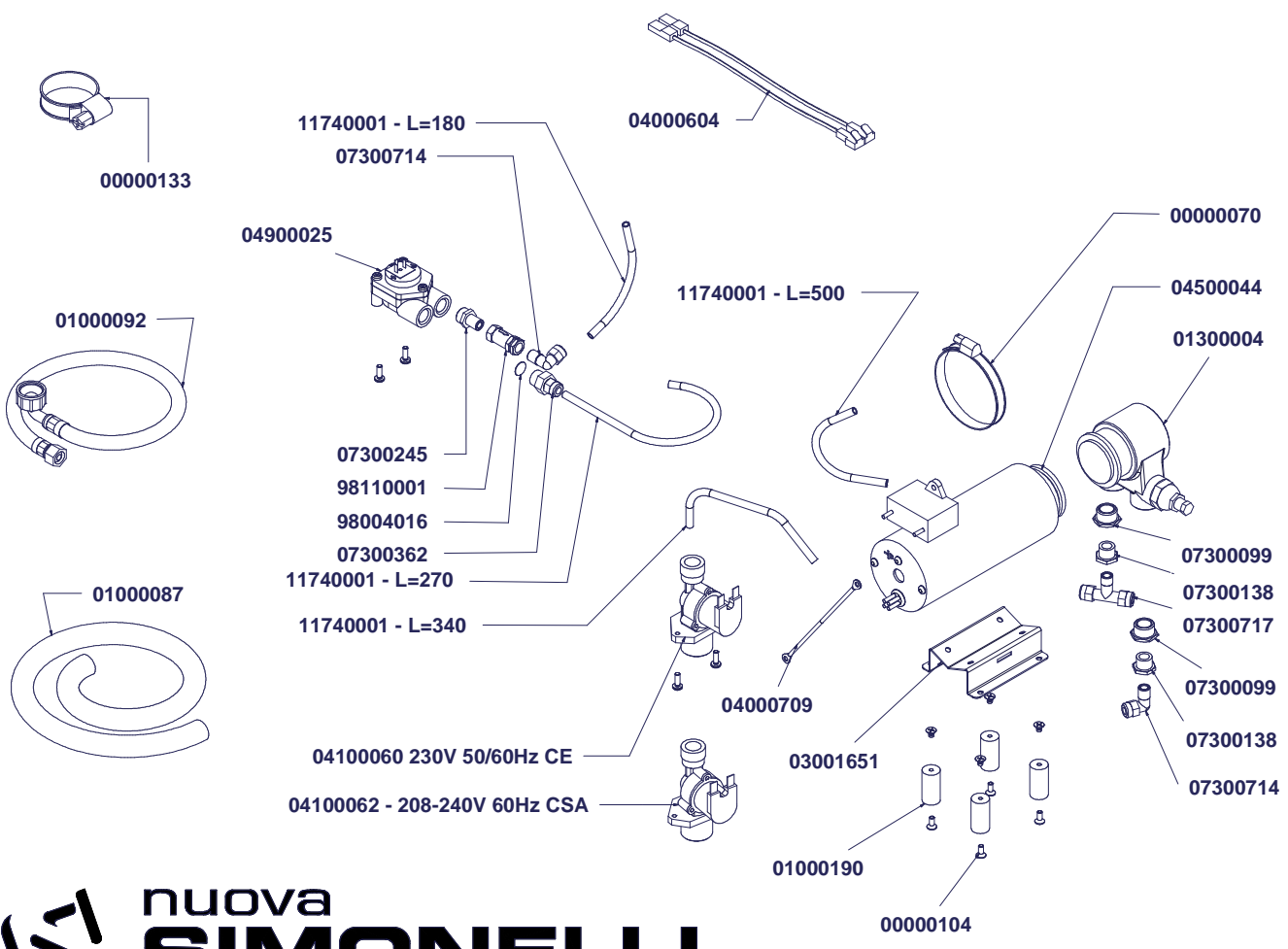
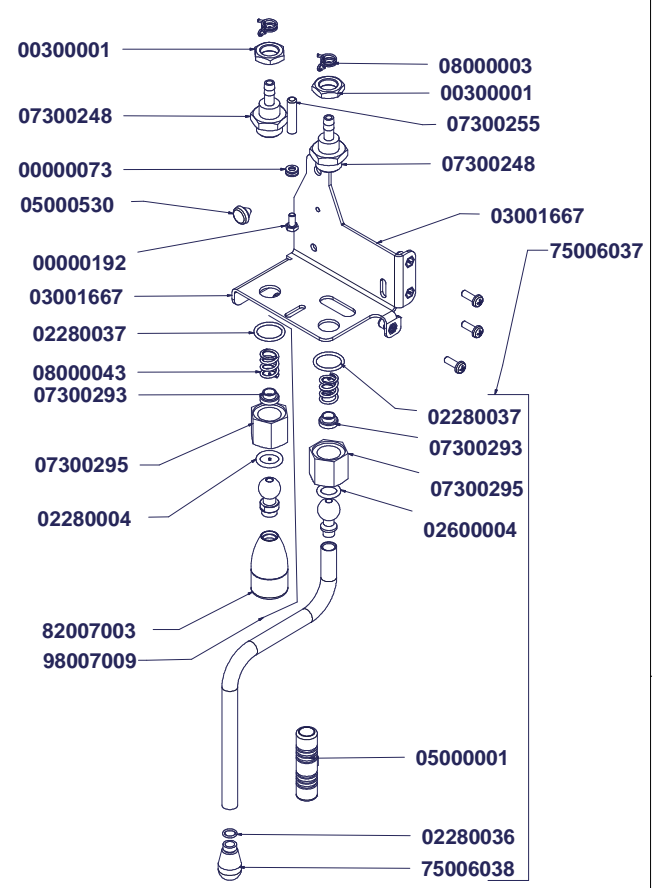
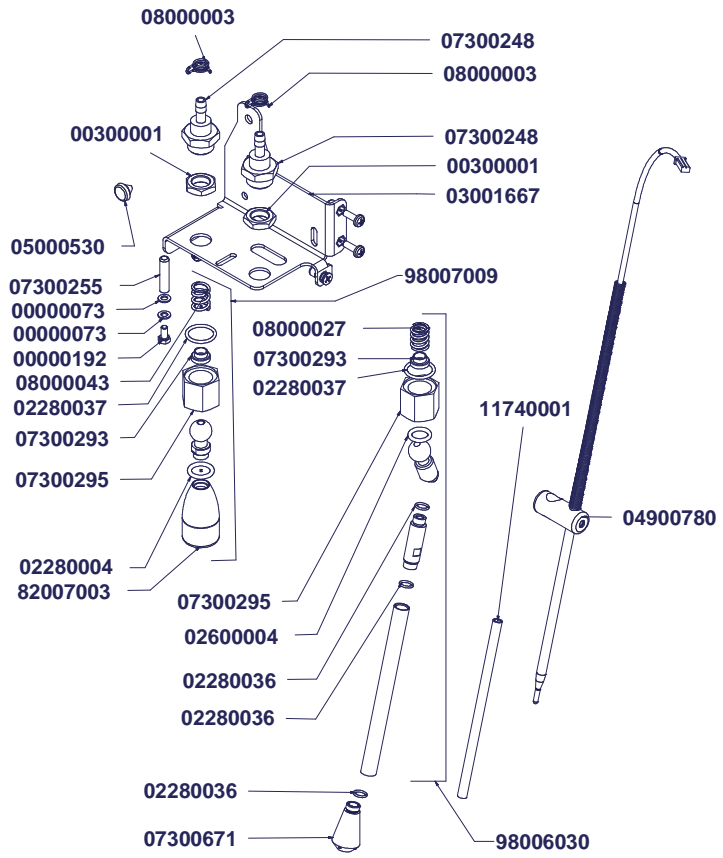
Elenco parti	
CODICE	DESCRIZIONE
04000704	CAVO INTERRUTTORE - MORSETTO PRONTOBAR 2009
04000889	CAVETTO CONNESSIONE SCHEDA TAST SCHEDA 10 VIE IO
04000730	CABLAGGIO COMPLETO PRONTOBAR TFT

Elenco parti	
CODICE	DESCRIZIONE
04000706	CAVI BASSA TENSIONE (MOTORE - LIVELLO CALDAIE + TANICA)
04000708	CAVI SICUREZZA (PROTEZIONE PORTA + CASSETTO FONDI)
04000732	CABLAGGIO ALIMENTAZIONE DISPLAY TOUCH PRONTOBAR TFT



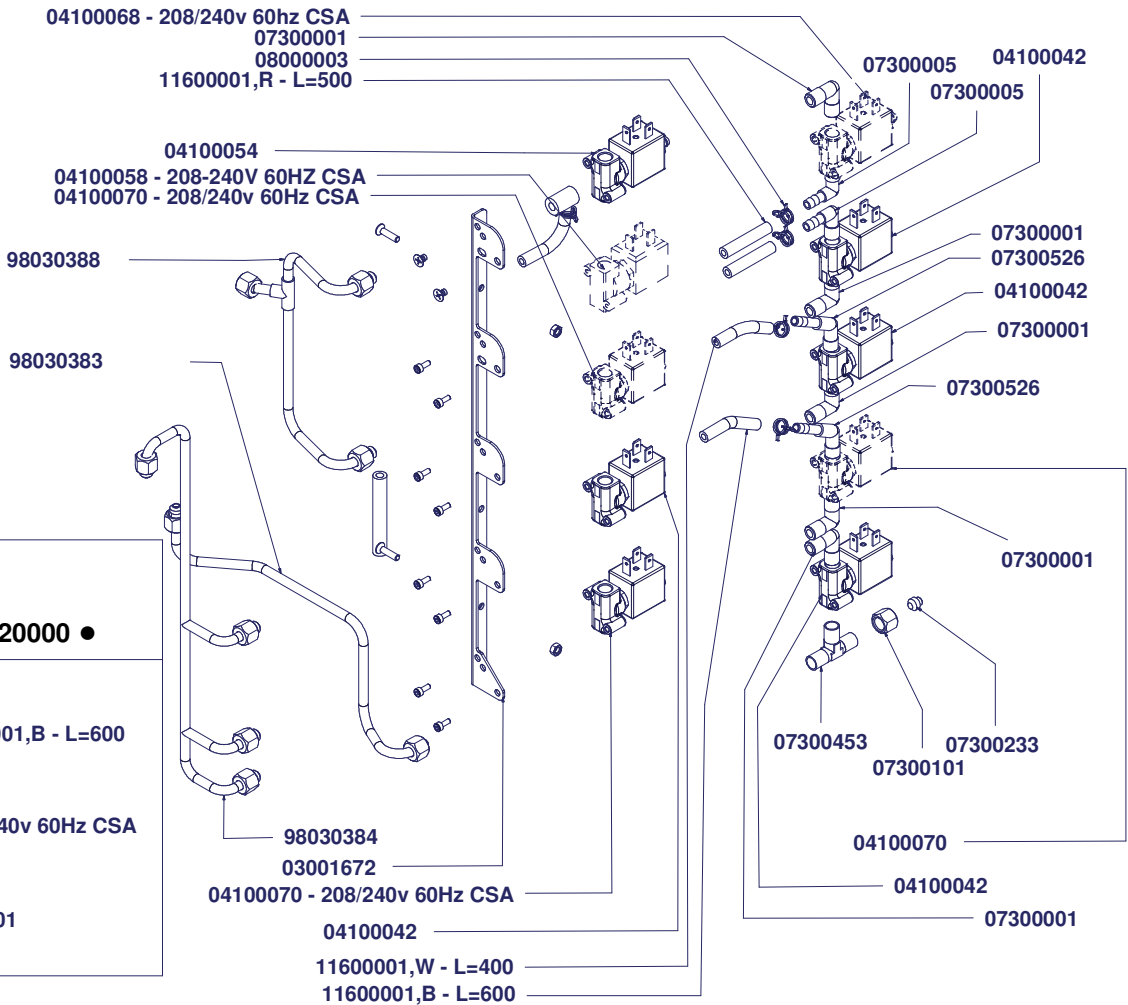
COMPONENTI POMPA E LANCE VAPORE ACQUA

COMPONENT PUMP - STEAM - HOT WATER



COMPONENTI IDRAULICI HYDRAULIC COMPONENT

P
R
O
N
T
O
B
A
R
T
F
T

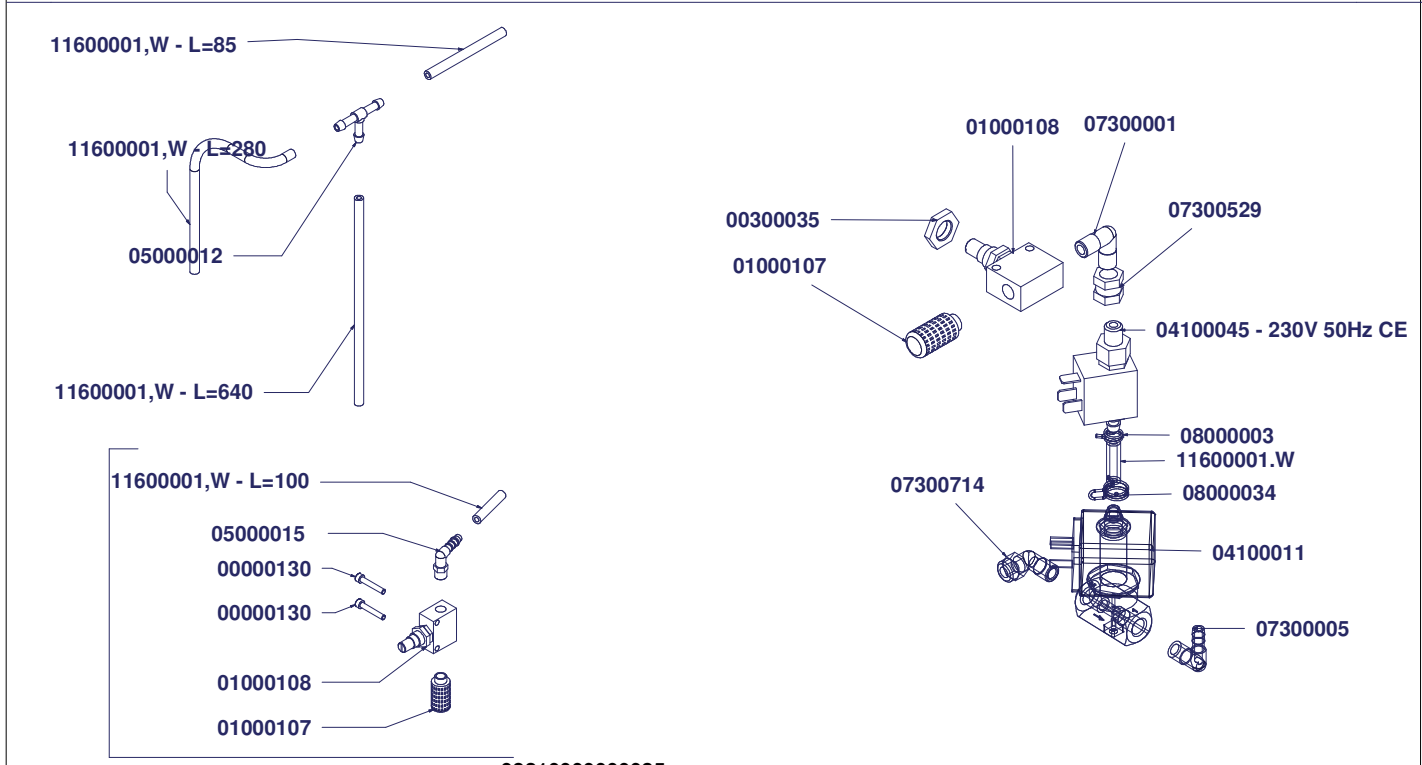


**ALLUNGO
EXTRA WATER**
982100000000320000 ●

07300526
11600001,B - L=600

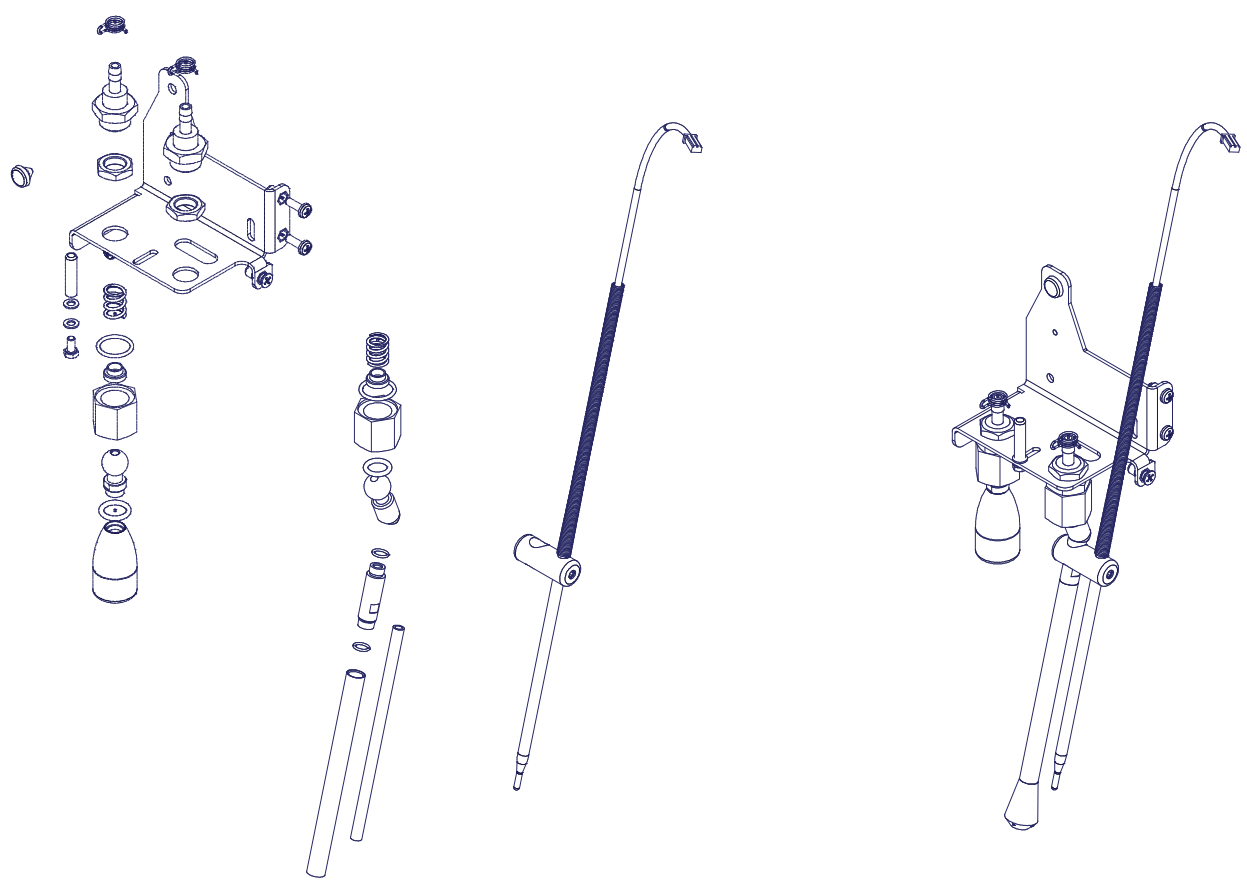
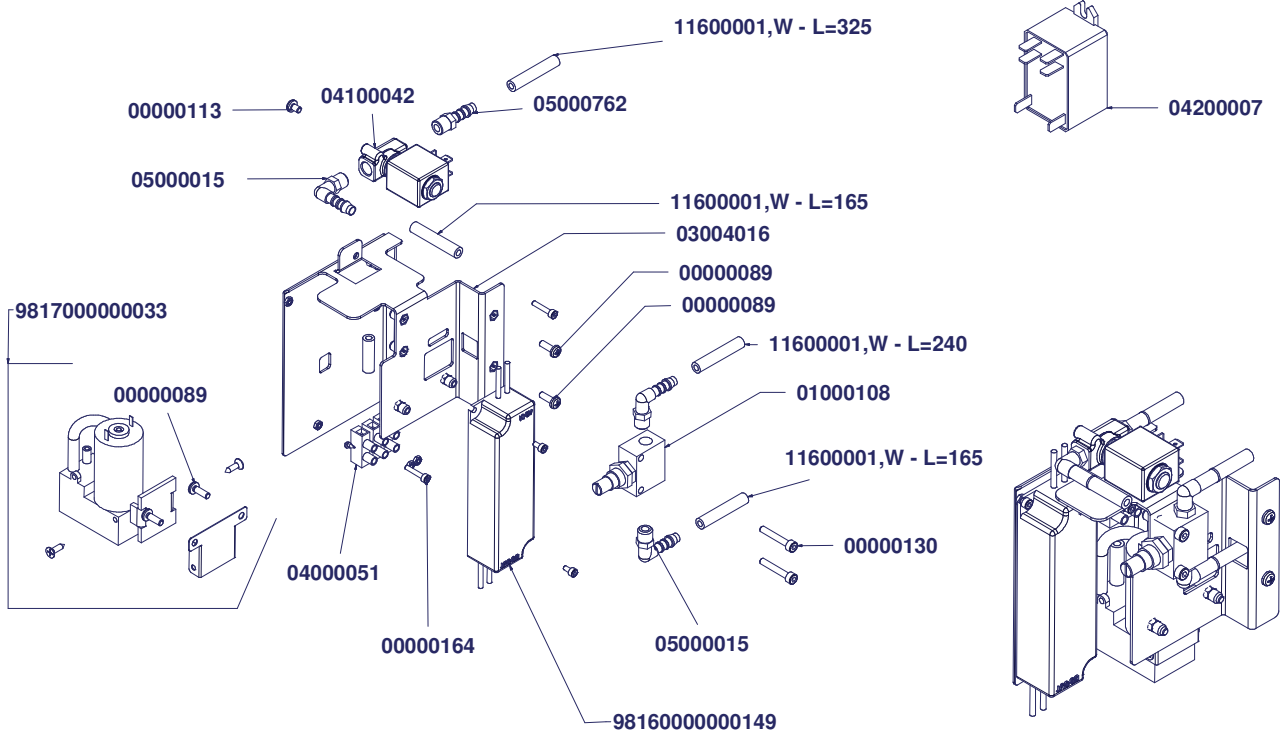
04100070 - 208/240v 60Hz CSA

07300001




COMPONENTI EASY CREAM EASY CREAM COMPONENTS


P
R
O
N
T
O
B
A
R
T
O
U
C
H





Elenco parti	
CODICE	DESCRIZIONE
98160000000149	TRASF + CABLAGGIO EASY CREAM PRONTOBAR TOUCH


ELENCO OPTIONAL OPTIONAL PARTS

	KCON0001	Manometro controllo pressione pompa
		Pressure gauge for pump pressure control
		Manómetro para controlar la presión de la bomba
		Manomètre pour le contrôle de la pression de la pompe
		Manometer für Pumpendruckregelung

	98260000000125	Kit manutenzione programmata 12 mesi
		12 month scheduled maintenance kit
		Kit de mantenimiento programado de 12 meses
		Kit d'entretien programmé de 12 mois
		12-monatiges Wartungskit

	12100006	Teflon spray
		Teflon spray
		Aerosol de teflón
		Spray téflon
		Teflonspray

	12100004	Grasso silicone
		Silicone grease
		Grasa de silicona
		Graisse silicone
		Silikonfett

	01000055	Riduttore di pressione
		Pressure reducer
		Reductor de presión
		Réducteur de pression
		Druckminderer

	04900763	Programmatore centralina (solo per Windows 10)
		Control unit programmer (Windows 10 only)
		Unidad de control programador (solo para Windows 10)
		Programmateur de l'unité de contrôle (uniquement pour Windows 10)
		Steuergerät-Programmierer (nur für Windows 10)

CODICE	DESCRIZIONE	DESCRIPTION	DATA FINE VALIDITA'	P R O N T O B A R T F T
00000011	RONDELLA INOX M4 ZIGRINATA UNI 8842/A	STAINLESS STEEL KNURLED WASHER D4		
00000056	DADO AQ M8 ALTO ZINCATO	ZINC COATED NUT AQ M8 HIGH		
00000060	DADO AQ M3 MEDIO ZINCATO	NUT M3 MEDIUM GALVANISED NUT		
00000070	FASCETTA INOX SGT 50-70 9 W4	CLAMP INOX SGT 50-70 9 W4		
00000073	RONDELLA INOX 8x4x1 UNI6592	STAINLESS STEEL WASHER D.8x4x1		
00000089	VITE INOX M4x12 TC TCR DIN7985	SS CROSS HEAD CAP SCREW M4x12		
00000104	VITE INOX M4x10 TSP TCR DIN965	SS CROSSHEAD COUNTERSUNK SCREW M4x10		
00000113	VITE INOX M4x6 TC T.CR. 7985	SS CROSSHEAD CAP SCREW M4x6		
00000118	VITE INOX M4x12 TCEI 5931	SS HEX SOCKET CAP SCREW M4x12		
00000119	VITE INOX M4x6 TSPTCR ISO 7046	SS CROSS HEAD COUNTERSUNK SCREW M4x6		
00000124	RONDELLA AQ D4.3x16x1.5 ZINC.	GALVANISED WASHER D4 3x16x1.5		
00000130	VITE INOX M4x25 TCEI UNI 5931	SS HEX SOCKET CAP SCREW M4x25		
00000134	VITE AQ M3x6 TC TC ZINC. UNI6107	SCREW AQ M3x6 TC TC ZINC. UNI 6107		
00000145	VITE INOX M3x8 TSPEI UNI 5933	STAINLESS STEEL SCREW M3x8 TSPEI UNI 5933		
00000148	VITE INOX M4x16 TCEI UNI 5931	STAINLESS STEEL SCREW M4x16 TCEI UNI 5931		
00000150	VITE INOX M4x6 TBEI ISO 7380	STAINLESS STEEL M4x6 TBEI ISO 7380		
00000154	VITE INOX TRUCIOL. 3x16 TSPTCR DIN 7505 A	SS SCREW 3x16 TSPTCR DIN 7505 A		
00000155	VITE INOX TRUCIOL. 3x12 TSPTCR 18-8 DIN 7505 A	SS SCREW 3x12 TSPTCR DIN 7505 A		
00000158	VITE INOX M6x50 TCEI UNI 5931	SS SCREW M6x55 TCEI UNI 5931		
00000164	VITE INOX M3x16 TCEI ISO 4762	STAINLESS STEEL SCREW M3x16 TCEI ISO 4762		
00000165	VITE INOX M3x8 TCEI ISO 4762	STAINLESS STEEL SCREW M3x8 TCEI ISO 4762		
00000166	VITE INOX M3x20 TCEI ISO 4762	STAINLESS STEEL SCREW M3x20		
00000169	VITE INOX 2,9 x 13 TSP TCR AUTOFIL	INOX SCREW 2.9 x 13 TSP SELF TAPPING TCR		
00000175	VITE INOX M4x10 TC TCR	SS CROSS HEAD CAP SCREW M4x10		
00000183	DADO INOX M8 BASSO 5589 h5	STAINLESS STEEL NUT M8 LOW 5589 h5		
00000192	VITE INOX M4x8 TE UNI 5739	STAINLESS STEEL SCREW M4x8 TE UNI 5739		
00000195	VITE AUTOF INOX 3,9x9,5 TC/TCR	SELF TAPPING STAINLESS STEEL SCREW 3,9x9,5 TC/TCR		
00000199	DADO INOX M4 MEDIO UNI 5588	NUT M4 MEDIUM STAINLESS UNI 5588		
00000200	VITE INOX M4x20 TCEI UNI 5931	STAINLESS STEEL SCREW M4x20		
00000204	VITE AUTOF INOX 2,9x6,5 TC TCR DIN7981	SS SELF-THREADING SCREW 2,9x6,5 TC-TCR DIN7981		
00300001	DADO OT 1/4 GAS SPESS.5 CH18	BRASS NUT 1/4 GAS SPESSOR 5		
00300005	DADO OT 1/8 GAS AGG.22.07.96 SPESS.4 CH13	BRASS NUT 1/8 GAS SPESSOR 4		
00300022	VITE INOX M4x14 TSP TC DIN963 ipt	SCREW STAINLESS STEEL M4x14 TSP TC DIN963		
00300034	DADO OT M10x1.25 SPESS.4.5 CH14	BRASS NUT M10 THICK 4.5 HEXAGON 14mm DIN 982		
00300035	DADO OT M12x1 CH19 x FISSAGGIO VALVOLA APPIA GAS	OT NUT M12X1 CH19		
01000015	SERRATURA INVOLUCRO COMANDI CONF. G (50 pz.)	DOOR LOCK COMPLETE		
01000023	VALVOLINA SFIATO	ANTI VACUUM VALVE		
01000052	CALAMITA RPV 14	MAGNET RPV 14		
01000087	TUBO SCARICO 18x24,4	DRAINING TUBE 18x24,4		
01000089	VALVOLINA DI RITEGNO D.14	RETAINING VALVE CO14		
01000092	TUBO CARICO ACQUA 1,5mt EPDM 3/8F OTT - 3/4F 90° GHIERA	3/8F-3/4F90° WATER CHARGE PIPE 1,5mt		
01000107	SILENZIATORE 1/8 491	SILENCER 1/8 491		
01000108	RUBINETTO MRF 1/8 F-F 604	TAP 1/8 F-F		
01000120	CAPPUCCINATORE "MICROBAR"	NSF MILK FOAMER FOR MICROBAR		
01000155	CERNIERA SPORTELLO 43x10 NICH. MICROBAR/PRONTOBAR	MICROBAR DOOR HINGE CEAM 503 43x10 NICKEL-PLATED		
01000160	ANTIVIBRANTE CD10x10 M4 FF	VIBRATION-DAMPING DEVICE D10x10 M4 FF		
01000162	SCROCCHETTO COMPL. MICROBAR	MICROBAR LOCK COMPLETE BCT-40		
01000176	ISOLANTE D.90 CALDAIA CAFFE'	COFFEE BOILER INSULATOR D.90		
01000190	ANTIVIBRANTE 15x30 M4 FF	ANTIVIBRATION 15x30 M4 FF		
01000218	ISOLANTE CALDAIA D80 155x252,7	BOILER INSULATION D.80 115 x 253		
01000220	ISOLANTE SUPER. D.80 CALDAIA	BOILER UPPER INSULATION D.80		
01000222	ISOLANTE INFER. D.80 CALDAIA	BOILER LOWER INSULATION D.80		
01000228	CORNICE INOX COPERCHIO CARENA PRONTOBAR 2 CAMPANE	STAINLESS STEEL FRAME CASE COVER - PRONTOBAR		
01000245	ISOLANTE D.90 CALDAIA VAPORE V.A. 1GR	INSULATION D.90 VAPOR BOILER V.A. 1GR		
01000247	ISOLANTE CALDAIA VAPORE V.A. 1GR	BOILER INSULATING VAPOR V.A. 1GR		
01000270	ANTIVIBRANTE AD 15x10 M4 MM	ANTI VIBRATION AD 15X10 M4 MM		
01300004	POMPANTE VOLUMETRICO 50 lt/h OT-57	VOLUMETRIC PUMP 50 lt/h		
02000005	OR SUP. CAPPUC. MICROBAR SILICONE ROSSO	UPPER GASKET FOR MICROBAR CAPPUCCINO MAKER		
02000006	OR INF. CAPPUC. MICROBAR SIL.	LOWER GASKET FOR MICROBAR CAPPUCCINO MAKER		
02280004	GUARN. OR 115 D.17 EP856 SNODO LANCIA	GASKET OR 115 D17 EP 856 x SWIVEL STEAM PIPE		
02280017	GUARN. OR R3062/AN12 D21 EP851	ORING GASKET R3062/AN12 D21 EP851		
02280018	GUARN. OR R11 D19 SILICONE ROSSO Sh70	RED SILICON GASKET O RING Sh70		
02280032	GUARN. OR 114	ORING GASKET 114		
02600004	GUARN OR 10,2 x 2,5 TEFLON	ORING GASKET		
02280036	GUARN. OR x BECCO LANCIA VAP. DI 6x1.2 EPDM70	GASKET OR x STEAM WAND NOZZLE		
02280037	GUARN. OR CHIUSURA SNODO 16x2 NBR70	GASKET OR JOINT LOCK 16x2		
02280044	GUARN. OR 14x1,78 EP851 2056 MS15	GASKET O RING 14x1.78 EP851		
02290019	GUARNIZIONE OR R6 DF801 VITON	GASKET O-RING LOWER PISTON OR R6 DF801		
02290021	GUARN. OR 140/4137 DE.41.58 SIL. ROSSO 7XL1715	GASKET O-RING 140/4137 D.41.5 SILICON RED Sh70		
02290025	GUARN. OR3193 VITON x MACININO	VITON GRINDER GASKET O-RING 3193		
02290030.1	GUARN. OR 147 D.49.92 NBR NERO 49.92x42.86x3.53	GASKET OR 147 D.50 NBR BLACK		
03000004	STAFFA SINGOLA x TERMOSTATO	STEEL HOLDER FASTOM FOR TERMOSTAT		
03000069	DOCCIA INOX D.40 x M4 T.SVP AGG.08.01.99	STAINLESS SPOUT D.40		
03000202	VASCETTA RACCOGLI CONDENSA	CONDENSATE COLLECTED TANK		
03001486	SUPPORTO REGISTRO MACININO MICROBAR II / PRONTOBAR	GRINDER TUNING SCREW MICROBAR II		
03001620	LAMIERINO PROTEZ. VITE ELIC. MICROBAR 08	GROUP PROTECTION PLATE		
03001623	CLUMP CRUSHER PRONTOBAR - MICROBAR	CLUMP CRUSHER PRONTOBAR - MICROBAR		
03001634	PIASTRINA FISSAGGIO CHIOCCIOLA VITE GRUPPO MICROBAR	FASTENING PLATE FOR MICROBAR 08 GROUP SCREW VOLUTE		
03001651	SUPPORTO POMPA VOLUMETRICA MOTORE	MOTOR VOLUMETRIC PUMP SUPPORT		
03001653	LAMIERA PROTEZ. MOTORE GR. EROGAZIONE CSA	MOTOR GROUP PRETECTION PANEL - PRONTOBAR		
03001654	LAMIERA CHIUSURA SUPP. TANICA PRONTOBAR	CONTAINER SUPPORT ENCLOSURE PANEL - PRONTOBAR		
03001656	LAMIERA PROTEZIONE SUPERIORE PRONTOBAR	UPPER PROTECTION PANEL - PRONTOBAR		
03001657	PROFILIO RINFORZO SUPERIORE TELAIO PRONTOBAR	SUPERIOR REINFORCED PROFILE PRONTOBAR FRAME		
03001659	SUPPORTO SUPERIORE MACININO PRONTOBAR 2017	SUPERIOR SUPPORT GRINDER PRONTOBAR 2017		
03001661	SUPPORTO INFERIORE MACININO PRONTOBAR 2017	LOW SUPPORT PRINTOBAR 2017 GRINDER		
03001663	SUPPORTO REGISTRO SX MACININO PRONTOBAR 2017	SUPPORT REGISTER LEFT GRINDER PRONTOBAR 2017		
03001667	SUPPORTO LANCIA VAPORE + ACQUA CALDA PRONTOBAR 2017	STEAM LAUNCH SUPPORT AND HOT WATER PRONTOBAR 2017		
03001668	LAMIERA SUPPORTO FRONTALE PRONTOBAR	FRONT SUPPORT PANEL - PRONTOBAR		
03001670	LAMIERA SUPPORTO CALDAIA PRONTOBAR	BOILER SUPPORT PANEL - PRONTOBAR		
03001671	LAMIERA SUPPORTO CALDAIA VAPORE PRONTOBAR 2017 C	SUPPORT STEAM BOILER PRONTOBAR 2017 CSA		
03001672	LAMIERA SUPPORTO EV. PRONTOBAR	SOLENOID VALVE SUPPORT PANEL - PRONTOBAR		
03001680	LAMIERA BECCO EROGAZIONE PRONTOBAR	DISPENSING SPOUT PANEL - PRONTOBAR		
03001681	PIASTRINO SOSTEGNO RESISTENZA GR.EROGAZIONE PRONTOBAR	PLATE SUPPORT RESISTANCE GROUP UNIT RESISTANCE		
03001682	LAMIERA SCARICO GR. PRONTOBAR	GROUP DRAINAGE PANEL - PRONTOBAR		
03001684.T	LAMIERA GR. EROGAZ. PRONTOBAR TEFLONATA	TEFLON DISPENSING GROUP PANEL - PRONTOBAR		

CODICE	DESCRIZIONE	DESCRIPTION	DATA FINE VALIDITA'
03001686	PIASTRA ADATTAMENTO MOTORE GR. EROGAZIONE PRONTOBAR	DISPENSING GROUP MOTOR ADAPTATION PLATE - PRONTOBAR	P R O N T O B A R T F T
03001688	PIASTRA SERRATURA PRONTOBAR	LOCK PLATE - PRONTOBAR	
03001690	RETINA A FILO INOX PIANO LAV. PRONTOBAR	STAINLESS STEEL MESH, WORK SURFACE - PRONTOBAR	
03001694	COVER ACC. INOX BECCO EROG. PRONTOBAR	STAINLESS STEEL COVER DISPENSER SPOUT - PRONTOBAR	
03004000	BASE TELAIO PRONTOBAR TFT	BASE FRAME PRONTOBAR TFT	
03004002	SUPPORTO TANICA PRONTOBAR TFT	TANK SUPPORT PRONTOBAR TFT	
03004004	LAMIERA SUPPORTO MACININI PRONTOBAR TFT	GRINDER SHEET METAL SUPPORT PRONTOBAR TFT	
03004006	LAMIERA SUPPORTO CENTRALINA PRONTOBAR TFT	POWER UNIT CONTROL PRONTOBAR TFT	
03004008	LAMIERA CHIUSURA INTERNA PORTA PRONTOBAR TFT	INTERNAL LOCKING DOOR PRONTOBAR TFT	
03004016	LAMIERA SUPPORTO COMPRESSORE PRONTOBAR TFT	SUPPORT COMPRESSOR PRONTOBAR TFT	
03004020.NV	CARENA DX PRONTOBAR TFT NERO VERN. OPACO	RIGHT FAIRING BLACK PAINTED MATT	
03004022.NV	CARENA SX PRONTOBAR TFT NERO VERN. OPACO	LEFT FAIRING BLACK PAINTED MATT	
03004024.NV	CARENA RETRO PRONTOBAR TFT NERO VERN. OPACO	REAR FAIRING BLACK PAINTED MATT	
03004026	CARENA FRONTALE INFERIORE INOX PRONTOBAR TFT	LOWER FRONT PANNEL PRONTOBAR TFT	
04000051	MORSETTO 3 POLI	PA 67/3 TERMINAL	
04000129	COPRIFASTON F 6,3	FASTON COVER CFF63	
04000198	PRESA LAMELLARE M 6.3 d4.2 45°	FOIL HOLDER M 6.3 D 4.2 45°	
04000199	PRESA LAMELLARE DOPPIA M 6.3 d4.2 45°	DOUBLE FOIL HOLDER M 6.3 D 4.2 45°	
04000310	MORSETTIERA A VITE FV110 230V 3 POLI	SCREW TERMINAL FV110 220 V	
04000312.A	SENSORE MAGNETICO L=400	MAGNETIC SENSOR L400	
04000313	UNITA' MAGNETICA M 305 AA	MAGNETIC UNIT M 305 AA	
04000470	LED AURELIA18 12V	12VDC LED SPOT AURELIA WAVE	
04000562	CAVO ALIM. H05VV-F CE 3x1,5 SPINA SCHUKO 90°	POWER SUPPLY CABLE 3x1,5 CE 90° SCHUKO PLUG	
04000565	SENSORE MAGNETICO M8X30 L=300	WATER TANK MAGNETIC SENSOR M8x30 L=300	
04000590	MANICOTTO GOMMA SEGNACAVO ROSSO (HELAVIA A2 NEOF)	RED WIRE LABELLING RUBBER SLEEVE	
04000704	CAVO INTERRUOTORE-MORSETTO PRONTOBAR	SWITCH/TERMINAL CABLE - PRONTOBAR	
04000706	CABLAGGIO BASSA TENSIONE PRONTOBAR	LOW VOLTAGE WIRING ASSEMBLY - PRONTOBAR	
04000708	CABLAGGIO SICUREZZA PRONTOBAR	EARTH WIRING ASSEMBLY - PRONTOBAR	
04000709	CAVO TERRA L=150 2 OCCHIELLI D4,5 POMPA PRONTOBAR 20	GROUND CABLE L=150	
04000714	CABLAGGIO TERMOSTATO CALDAIA PRONTOBAR CSA	BOILER TERMOSTAT/CABLE - PRONTOBAR CSA	
04000718	CABL. RELE' POMPA PRONTOBAR 2017 CSA	RELAY WIRING PUMP PRONTOBAR 2017 CSA	
04000730	CABLAGGIO COMPLETO PRONTOBAR TFT	COMPLETE WIRING PRONTOBAR TFT	
04000732	CABLAGGIO ALIMENTAZIONE DISPLAY TOUCH PRONTOBAR	WIRING POWER SUPPLY DISPLAY TOUCH PRONTOBAR TFT	
04000736	CABLAGGIO ALIMENTAZIONE LUCI PRONTOBAR TFT	WIRING POWER SUPPLY LIGHTS PRONTOBAR TFT	
04000889	CAVETTO CONNES. SCHEDA TAST. -SCHEDA I/O "TALENTO" 10	WIRE TO CONNECT "TALENTO" TOUCHPAD-CONTROL BOARD	
04060015	CAVO ALIM. AWG3x14 SJO 90°C UL/CSA 2mt SPINA USA DRITTA	POWER CABLE AWG3x14 + PLUG 20AREPLACE 04000029	
04100011	E.V. NC 3VIE 1/8-1/8 SCAR. 1/8 220-230V 50/60Hz VITON F1.3 CE P	SOLENOID VALVE	
04100042	E.V. NC 2VIE 1/8-1/8 220-230V 50/60Hz VITON F2 CE PIEDIN	2 WAYS VALVE 1/8-1/8 220-230V 50/60Hz VITON F2 CE FIL. 1xM4	
04100045	E.V. NO 2VIE 1/8M-PORTAGOMMA 208/240V 50/60Hz VITON F1.7	2-WAY SOLENOID 1/8 M HOSE SUPPORT	
04100046	EV NC 3VIE 1-8 - 1-8 PORTAGOMMA 230V 50-60Hz VITON	SOLENOID VALVE NC 3 VIE 1-8 - 1-8 HOSE 230V 50-60Hz VITON	
04100054	E.V. NC 3VIE 1/8-1/8 PORTAG. 220-230V 50/60Hz VITON F2 CE P	ELECTR. 3-WAY 1/8" F2 230V 50/60Hz HOSE CLAMP OUTLET	
04100058	E.V. NC 2VIE 1/8-1/8 208-240V 60Hz VITON F2 UL PIEDIN	2-WAYS S.V. 1/8-1/8 208-240V 60Hz VITON F2 UL	
04100060	E.V. NC 2VIE 3/4-JG 6 DIRITTA REGOL+FILTR F.2,5 230V 50/60Hz	S.V. NC 2 WAYS 3/4-JG 6 ADJ+ FILTER F.2,5 230V 50/60Hz	
04100061	E.V. NC 2VIE 3/4-JG 6 DIRITTA REGOL+FILTR F.2,5 115V 60Hz UL	S.V. NC 2WAYS 3/4-JG 6 ADJ+ FILTER F.2,5 115V 60Hz UL	
04100062	E.V. NC 2VIE 3/4-JG6 DIRIT. UL REGOL+FILTR F.2,5 208/240V60Hz	2-WAY SOLENOID VALVE 3/4-JG 6 230V 60HZ UL	
04100068	E.V. NC 3VIE 1/8-1/8 PORTAG. 208-240V 60Hz VITON F2 UL PII	3-WAY SOLENOID 1/8-1/8 HOSE SUPPORT 208-240V 60Hz F.2	
04100070	E.V. NC 2VIE 1/8-1/8 208-240V 50/60Hz VITON F1.5 UL PIEDII	2-WAY SOLENOID 1/8-1/8 208-240V 60Hz F.1,5	
04200007	RELE' DI POTENZA 30A 230V BIPOLARE	POWER RELAY 30A 230 V BIPOLAR	
04200043	MICRO PORTA/CASSETTO MASTER/ MICROBAR/CAFF. ITA.	DOOR DREGS DRAWER MICRO-SWITCH	
04200063	MICROSWITCH PORTA 3 POSIZIONI	DOOR MICROSWITCH	
04200112	INTERRUTTORE BIPOLARE LUMINOSO ROSSO 0/1 RETTANGOLA	2 POLES SWITCH 16A OSCAR II	
04500044	MOTORE COMPATTO 40 W	COPACT MOTOR 40 W	
04600014	MOTORIDUTTORE 24Vcc ENCODER "PRONTOBAR" D.42 400RPM	LEFT 24V AC GEAR MOTOR REDUCER D.43400 RPM	
04900025	DOSATORE VOLUMETRICO OTT. 1/4-1/4 GAS-ATT. TEST. 2,8x0	VOLUMETRIC VALVE OTT. 1 / 4-1 / 4	
04900560	SONDA TEMP. PTP-51F R100 3,3K F.4 L=280 MOD2	PTP-51F R100 3.3K TEMP PROBE	
04900652	TRASF. COMPL.MICROBAR 230V/18V 150VA 50/60Hz FUSE750mA	COMPLETE TRANSFORMER 230V-18 150VA 50/60Hz	
04900775.1	SONDA TEMPERATURA 150° NTC ATT.1/8 INOX 4x20 Lcavo=500	TEMPERATURE PROBE 150°NTC ATT.1/8 SS 4x20	
04900780	SONDA PT1000 x LANCIA VAPORE "TURBO CREAM" D06 + SUPP	PROBE PT1000 X STEAM WAND "TURBO CREAM" D06	
04900916	CENTR. ELETT. PRONTOBAR TFT	PRONTOBAR TFT ELECTRIC CONTROL UNIT	
05000001	GOMMINO PROTEZIONE LANCIA DIAMETRO 10	RUBBER PROTECTION LANCIA	
05000011	RACCORDO PORTATUBO YS 6	YS 6 HOSE FASTENING	
05000012	RACCORDO PORTATUBO TS 6	TS 6 HOSE FASTENING	
05000015	RACCORDO PORTATUBO WES 6R 1/8	WES 6R 1/8 HOSE FASTENING	
05000029	POMELLO M4x20 TESTA D.13x4	KNOB M4x20	
05000031	ANELLO REGOLAZ. CAPPUCCINATORE	MILK-FOAMER REGULATION RING	
05000032	POMELLO FILETTATO	THREADED KNOB	
05000083	BLOCCACAVO SR 11-2 NERO	CABLE BLOCK SR 11-2	
05000086	PASSACAVO A MEMBRANA BIANCO	MEMBRANE CABLE DUCT	
05000110.NV	RACCORDO DECAFFEINATO MASTER	MASTER DECAFFEINATED FITTING	
05002113	PELLICOLA ADESIVA CAMPANA PRONTOBAR	PRONTOBAR BELL ADHESIVE FILM	
05000530	PIEDINO MACININO/JAZZ D.3/6 STEAB 6304 PVC NERO T.V.	FOOT JAZZ/GRINDER STEAB 6304 BLACK	
05000737	BOCCOLA MOV. ESPULSIONE MICROBAR/PRONTOBAR	MICROBAR UNIT EJECTION BUSHING	
05000743.L	PISTONE INF. D.43 NYLON GR. MICROBAR LAVORATO	MICROBAR WORKED GROUP LOWER PISTON D.43	
05000744.1	CHIOCCIOLA VITE MOVIMENTO T.N. MICROBAR	MICROBAR VOLUTE MOVEMENT SCREW	
05000746	CLIP FERMATUBO D8 /7 posizioni	PIPE-HOLDER CLIP D.8	
05000751	PASSACAVO PVC NERO D12x17x7 CON MEMBRANA	BLACK PVC GROMMET D12x17x7	
05000753	GOMMINO CORNICE CARENA MICROBAR D.6	MICROBAR BASE FRAME GROMMET	
05000758.N	COPERCHIO VASCHETTA ACQUA 5LT NERO	5 LT WATER CHAMBER COVER - PRONTOBAR BLACK	
05000759	COLLETORE CONTENITORE ACQUA 5LT MICROBAR	MICROBAR WATER CONTAINER MAINFOLD 5LT	
05000762	RACCORDO PORTATUBO GES 6 1/8 MASCHIO DIRITTO	STRAIGHT FITTING - PIPE HOLDER 1/8	
05000880	PROLUNGA PIEDE ALTO 2005 D.66 H=80 mm.	TALL FOOT EXTENSION D.66 H=80 MM.	
05001251	CHIUSURA IN GOMMA PORTA USB AURELIA II	RUBBER USB COVER AURELIA II TFT	
05002020	ATTACCO SCARICO VASCHETTA TALENTO	TRAY WASTE FASTENING TALENTO	
05002110	CONVOGLIATORE DECA PRONTOBAR	DECAFFEINATED CONVEYOR - PRONTOBAR	
05002114	COPERCHIO CAMPANA CAFFE' PRONTOBAR	COFFEE FUNNEL COVER - PRONTOBAR	
05002126	SUPPORTO EROGATORE PRONTOBAR GRIGIO	DISPENSER SUPPORT - PRONTOBAR	
05002130	SUPPORTO SUP. TUBI BECCO EROG. PRONTOBAR	DISPENSER TUBING SUPPORT - PRONTOBAR	
05002132	REGISTRO INCLINAZIONE SCIVOLO CAFFE' PRONTOBAR	COFFEE CHUTE ANGLE ADJUSTER - PRONTOBAR	
05002134	SUPPORTO SCIVOLO CAFFE' DX+SX PRONTOBAR	COFFEE CHUTE SUPPORT - PRONTOBAR	
05002136	SCIVOLO CAFFE' SX PRONTOBAR	LEFT COFFEE CHUTE - PRONTOBAR	
05002138	SCIVOLO CAFFE' DX PRONTOBAR	RIGHT COFFEE CHUTE - PRONTOBAR	
05002140	CHIUSURA SCIVOLO CAFFE' SX PRONTOBAR	LEFT COFFEE CHUTE ENCLOSURE - PRONTOBAR	
05002142	CHIUSURA SCIVOLO CAFFE' DX PRONTOBAR	RIGHT COFFEE CHUTE ENCLOSURE - PRONTOBAR	
05002144	PALETTA ESPULSIONE PRONTOBAR	EJECTION BLADE - PRONTOBAR	
05002146	BECCO EROGATORE PRONTOBAR GRIGIO PER COVER INOX	DISPENSER SPOUT - PRONTOBAR	

CODICE	DESCRIZIONE	DESCRIPTION	DATA FINE VALIDITA'
05002148	SUPPORTO INF. TUBI BECCO EROG. PRONTOBAR	BOTTOM SUPPORT DISPENSER SPOUT'S TUBES - PRONTOBAR	
05002150.NV	PORTA FRONTALE PRONTOBAR TFT NERO VERN. RAL 9005 OP	PRONTOBAR TFT FRONT DOOR BLACK PAINTED MATT	
05002152.NV	COPERCHIO CARENA PRONTOBAR TFT NERO VERN. RAL 9005	TOP COVER PRONTOBAR TFT BLACK PAINTED MATT	
05002156	ETICHETTA "NUOVA SIMONELLI" PRONTOBAR L=100	LABEL "NUOVA SIMONELLI" L=100	
05002160	PISTONE EROG. SUP. UNIFICATO MICROBAR - PRONTOBAR - T	PISTON SUPPLIED SUPERIOR MICROBAR -PRONTOBAR -TALENTO	
05002228	COLLETTORE SCARICO GRUPPI EROG	POURING UNIT DRAIN MANIFOLD	
05002230	TAPPO IN GOMMA X SCARICO PTA0080	RUBBER PLUG EXHAUST PTA0080	
05002231	TAPPO GOMMA SCARICO D.10	DISCHARGE RUBBER D.10	
05080037	PIEDINO GOMMA DURA TONDO 9x5xh9	MOTOR FOOT MASTER	
07300001	RACCORDO L 1/8 M-M 459	L FITTING 1/8 M-M	
07300005	PORTAGOMMA ANG. 1/8x7 F1 4.8	ANGULAR HOSE CLAMP 1/8"	
07300099	RIDUZIONE 3/8-1/4 ES.20	VACUUM RELIEF VALVE ADAPTER	
07300101	DADO RACCORDO 1/8 GAS	1/8 GAS CONNECTION NUT	
07300138	RIDUZIONE 1/4"M - 1/8"F ES.17	REDUCTION 1/4"-1/8" ES, 17 ADD. 29.05.96	
07300147	RACCORDO 1/4 F.7 1/8 F.5 M-M	CONNECTION 1/4 F.7 1/8 F.5 ADD. 18.06.97	
07300233	TERMINALE CHIUSO D.8	CLOSED TERMINAL D 8	
07300245	RACCORDO 1/4M L=6.5 1/8M L=12	UNION 1/4M L = 6.5 1/8M L = 12	
07300248	RACCORDO 3/8M-PORTAGOM. LANCIA	UNION 3/8M - HOSE CLAMP FOR WAND	
07300251	RACCORDO 1/8 M-M FORO 5,5 + FILETT. M6 x L=11	UNION 1/8 M-M HOLE 5.5 + M6 x L = 11	
07300255	PERNO SERRATURA PRONTOBAR	LOCK PIN - PRONTOBAR	
07300257	VITE MOVIMENTO GR. PRONTOBAR INOX Aisi430F	STAINLESS STEEL SCREW FOR GROUP MOVEMENT - PRONTOBAR	
07300259	ALBERO PALETTA ESPULSIONE GR. PRONTOBAR	GROUP EJECTION AXE	
07300265	RONDELLA POM-C 21x14,5x2,1 PISTONE SUP. GR. PRONTOBAR	TEFLON WASHER FOR TOP POURING	
07300293	BUSSOLA SNODO AG.25.06.96 OT-57	BRASS BUSHING	
07300295	DADO RACC. 3/8 H=21 LANCIA SNODATA OTTONE NICHELATO	WAND NUT 3/8 H21	
07300319	BOCCOLA CAVALLOTTO FULCRO LEVA AGG. 23.11.95	LEVER FULCRUM SLOT BUSHING ADD. 23.11.95	
07300341	PERNO BLOCC. CENTRAL. VIP INOX NICHELATO L=35	CENTRAL LOCK VIP NICKEL PLATED L=35	
07300342	PERNO SUPPORTO CENTRAL. VIP NICHELATO	NICKEL PLATED CONTROL UNIT SUPPORT PIN	
07300362	RACCORDO DIR. 1/4 M-CALZ.6 340	STRAIGHT FITTING 1/4	
07300376	RACCORDO DIR.F. 6 1/8-CALZAM.	STRAIGHT FITTING F6 1/8	
07300450	RACCORDO T 1/8 M-F-M OT-57	COUPLING T 1/8	
07300453	RACCORDO T 1/8 M-M-M	T CONNECTION 1/8 M-M-M	
07300503	ALBERO PISTONE INF.SCARICO MICROBAR	MICROBAR GROUP DRAIN LOWER PISTON SHAFT	
07300505	BOCCOLA ALBERO PISTONE SCARICO	MICROBAR DRAIN PISTON SHAFT BUSHING	
07300512	PIATTELLO PORTAMOLLA INFERIORE GR. MICROBAR	MICROBAR GROUP LOWER SPRING WASHER	
07300513	PIATTELLO PORTAMOLLA SUPERIORE GR. MICROBAR	MICROBAR GROUP UPPER SPRING WASHER	
07300522	VITE REGOLAZIONE MACINATURA MICROBAR	MICROBAR GRINDING ADJUSTMENT SCREW	
07300526	RACCORDO PORTAGOMMA 1/8M 120ø 488/B 6	HOSE LAMP FITTING 1/8 M 120°	
07300529	MANICOTTO FILETTATO F-F 1/8	THREADED SLEEVE 1/8	
07300539	RACCORDO RAPIDO 1/8 DIRITTO D4	QUICK COUPLING 1/8 STRAIGHT D4	
07300542	RACCORDO RAPIDO M6 L GIR. D4	L FITTING QUICK COUPLING M6 L SWIVEL D4	
07300544	PROLUNGA MF 1/8" ES 14 x FILTRO INOX D8	EXTENSION M-F 1/8	
07300545	SPESSORE PER SCROCCHETTO PORTA MICROBAR	SMICROBAR DOOR LOCK SHIM	
07300562	BOCCOLA FLANG. PER VITE GR. ER MICROBAR 08	MOTION SCREW BRASS BUSHING - MICROBAR 08	
07300566	COLONNA INOX 430 GRUPPO MICROBAR 08	STAINLESS STEEL GUIDE ROD 430 MICROBAR08 GROUP	
07300616	PERNO CARENA M4 MICROBAR	MICROBAR CASE PIN M4	
07300625	SPESSORE OT D.20 H=13.5 F.12.5 STOP INF.GR.MICROBAR	SPACER D20 H13.5 GR MICROBAR	
07300653	RONDELLA OT D.20x8.1x2	BRASS WASHER D.20x8.1xTh.2	
07300671	BECCO EASYCREAM 4 FORI TALENTO / AURELIA II	TALENTO EASYCREAM NOZZLE	
07300688	INSERTO PROLUNGA PIEDE ES 20 L=80 + M8 M-F	PER INSERTION EXTENSION TALL FOOT ES 20 L=80 + M8 M-F	
07300714	RACCORDO L 1/8 M - CALZAM.6	L FITTING 1/8 SHEAT TYPE D6	
07300717	RACCORDO T CALZAM.6 - 1/8 M - CALZAM.6	T CONNECTION 1/8 M	
07300862	TAPPO 1/8 GAS Aisi304 + SEDE OR	CAP 1/8 GAS AISI304 + OR	
07300863	TAPPO 1/4 GAS Aisi304 + SEDE OR	CAP 1/4 GAS AISI304 + OR	
08000003	FASCETTA STRINGITUBO D9.1	HOSE CLAMP D9.1	
08000015	ANELLO SEEGER TIPO RS 5 INOX UNI7434	SEEGER RING RS 5 STAINLESS STEEL	
08000027	MOLLA PER LANCIA SNODATA FILO D.1.5	WAND SPRING	
08000034	FASCETTA STRINGITUBO D12	HOSE CLAMPS D12	
08000038	MOLLA A TAZZA 15x6,2x0,5x0,5	BELLEVILLE WASHER 15x6.2x0.5x0.5	
08000043	MOLLA PER LANCIA SNODATA FILO D.1.6 D.11.9x16.2 4 S	WAND SPRING REPLACE 08000027	
08000047	SEEGER ESTERNI INOX A 10	EXTERNAL SEEGER RING STAINLESS STEEL A 10	
08000071	CUSCINETTO ASSIALE COMBINIBILE 10x19x6	MODULAR AXIAL BEARING 19x10x6	
08000078	MOLLA LUNGA PISTONE SCARICO GRUPPO MICROBAR	MICROBAR GROUP DISCHARGE PISTON LONG SPRING	
08000079	MOLLA CORTA PISTONE SCARICO GRUPPO MICROBAR	MICROBAR GROUP DISCHARGE PISTON SHORT SPRING	
08000081	MOLLA RICHIAMO SCIVOLO MOBILE MACININO SX MICROBAR	MICROBAR LEFT GRINDER MOBILE CHUTE RECALL SPRING	
08000083	COPIGLIA ELASTICA D.2 L.43 C70 ZINCATO	RETAINER CLIP D.2 L.43 c70 GALVANISED	
08000084	COPIGLIA D.2 L.20 INOX 304 UNI1336 DIN49 ISO1234	RETAINER CLIP D.2 L.20 304 SS UNI 1336 - DIN 49 - ISO 1234	
08000085	MOLLA PALETTA ESPULSIONE GR.TALENTO	TALENTO GROUP SCOOP S	
08000100	MOLLA INTERNA PIEDE 2005	SPRING	
09000003	SONDA AUTOLIVELLO COMP. L=115 CON GOLA	AUTOLEVEL SENSOR L=115 +PTFE+1/8" CONNECTION	
09500001	TERMOSTATO RIARMO AUTOM 98°C	98øC AUTO RESET THERMOSTAT	
09500011	TERMOSTATO R.AUT. 150°C FASTON 6.3 VERTICALI	TERMOSTATO R.AUTO 150øC FASTON 6,3 VERTICALI	
09500015	TERMOPROTETTORE x RESISTENZA G5 184°C 16A 250V UL	HEATING ELEMENT THERMAL PROTECTION G5 184°C 16A 250V UL	
09500016	TERMOPROTETTORE A CARTUCCIA 184°C 250V x RESISTENZA	CARTRIDGE THERMOPROTECTOR 184 ° C 250V x RESISTANCE	
11600001,B	TUBO SILICONE 7,5x4 BLU PRONTOBAR	BLUE SILICONE PIPE7,5 x 4	
11600001,R	TUBO SILICONE 7,5x4 ROSSO PRONTOBAR	RED SILICONE PIPE 7,5 x 4	
11600001,W	TUBO SILICONE 7,5 x4 BIANCO PRONTOBAR	WHITE SILICON PIPE 7,5 x 4	
11600004	TUBO SILICONE 5x9 60Sh PEROX BIANCO SEMITRASPARENTE	SILICON PIPE WHITE 5x9 60Sh SEMI-TRANSPARENT	
11740001	TUBO TEFLON 6/4	TEFLON PIPE 4X6	
14100055	RESISTENZA A CARTUCCIA HW10x65 100W 230V	CARTRIDGE HEATING ELEMENT HW10x65 100W 230V	
14100056	RESISTENZA 1"1/4 1600W 230V	HEATING ELEMENT 1"1/4 1600W 230V	
15000040	CHIUSURA CAMPANA MDX/L	GRINDER REGISTER SLIDE	
15050011	CHIUSURA SICUR.CAMPANA	BELL SAFETY COVER 5101.0012	
15050023	CONDENS. 16mF 450V 40x70 UL FASTON M6,3 CODOLO M8x10	CAPACITOR 16F	
15800038	DADO BLOCCAGGIO MACINE MCF	MCF GRINDER LOCK NUT	
15800046	COPPIA MACINE D50 3 FORI TITANIO	COPPIA MACINE D50 3 FORI TITANIUM	
40000003	VITE INOX M5x10 TSPTC UNI6109	SS SHOWER SCREW M5x10 TSP TC	
40000010	DADO AQ M6 RONDELLA SALDATA ZINCATO	NUT M6 WITH WELD ZINCKED WASHER	
40000013	VITE INOX M8x25 TBEI	SS SOCKET CAP SCREW M8x25	
75006037	KIT LANCIA VAPORE INOX	STAINLESS STEAM LANCE	
75006038	BECCO VAPORE INOX	BECCO STEAM INOX	
82007003	ROMPIGETTO ACQUA CALDA D=23,5	HOT WATER BREAKDOWN D = 23.5	
84003003	TUBO RAME D6 CALDAIA MICROBAR	MICROBAR BOILER COPPER PIPE D6	
84005001	PORTAMACINE SUPERIORE DENTATO MICROBAR / PRONTOBAR	MICROBAR SERRATED UPPER BLADE SUPPORT	
84005004	MOTORE MACININO MICROBAR 230V 50Hz 120W	MICROBAR GRINDER MOTOR 230V 50Hz	

P
R
O
N
T
O
B
A
R

T
F
T

CODICE	DESCRIZIONE	DESCRIPTION	DATA FINE VALIDITA'
85060006	PORTAMACINE INF. LAVORATO	PORTAMACINE INF. LAVORATO	
98001005	PIEDE MACCHINA BICOMPONENTE D.48 H=40 INSERTO M8	BICOMPONENT MACHINE FOOT D.48	
98001010	KIT PIEDI ALTI PRONTOBAR (4 pz.)	KIT TALL FEET PRONTOBAR	
98004016	FILTRO INOX DIAM. 12	STAINLESS FILTER DIAM. 12	
98006030	LANCIA VAPORE "EASYCREAM" INCLINATA PRONTOBAR TFT	STEAM WAN " EASY CREAM" PRONTOBAR TFT	
98007009	KIT LANCIA ACQUA C. INOX L=70 COMP. DI ROMPIGETTO 8200	KIT HOT WATER STAINLESS WAND L=70 W/SPRAYEND	
98030308	CALDAIA SALD. ACCIAIO Aisi316 MICROBAR 08 230V 1000W	BOILER MICROBAR 08 230V	
98030380	TUBO INF. CALDAIA ACQUA CALDA PRONTOBAR	LOWER HOT WATER BOILER TUBE - PRONTOBAR	
98030383	TUBO INF. CALDAIA VAPORE PRONTOBAR 2017 CSA - TFT	LOWER VAPOR BOILER TUBE PRONTOBAR 2017 CSA- TFT	
98030384	TUBO SUP. CALDAIA ACQUA CALDA PRONTOBAR	UPPER HOT WATER BOILER TUBE - PRONTOBAR	
98030388	TUBO SUP. CALDAIA VAPORE PRONTOBAR TFT	UPPER STEAMBOILER TUBE - PRONTOBAR TFT	
98030450	CALDAIA SALDATA V.A. 1GR. VAP.	WELDED BOILER V.A. 1 GR STEAM	
98110001	VALVOLA RITEGNO COMPL. 1/8 F-F OT-58	RETAIN VALVE 1/8 F-F	
98120001	VALVOLA NEPLAX VITON 16,5 BAR 1/8 - PORTAGOMMA	NEPLAX VITON 16,5 BAR VALVE 1/8 HOSE CLAMP	
98120002	VALVOLA NEPLAX VITON 6,5 BAR 1/8 - PORTAGOMMA	NEPLAX VITON 6,5 BAR VALVE 1/8 HOSE CLAMP	
98010000000118	ASSIEME CAMPANA PRONTOBAR	COFFEE BELL ASSEMBLY - PRONTOBAR	
98040000000060	ASSIEME GRUPPO EROGAZIONE PRONTOBAR	POURING GROUP ASSEMBLY - PRONTOBAR	
98040000000062	GRUPPO D43 PRONTOBAR LAVORATO CON CAMICIA INOX	MACHINED GROUP - PRONTOBAR	
98040000000064	SUPPORTO GRUPPO LAVORATO PRONTOBAR	MACHINED UNIT - PRONTOBAR	
98140000000024	ASS. MACININO DX PRONTOBAR TFT MACINE TITANIO	ASSEMBLY RIGHT GRINDER PRONTOBAR TFT TITANIUM GRIND	
98140000000026	ASS. MACININO SX PRONTOBAR TFT MACINE TITANIO	ASSEMBLY LEFT GRINDER PRONTOBAR TFT TITANIUM GRIND	
98140000000031	ASS. SCIVOLO PER MACININO DX PRONTOBAR	RIGHT COFFEE CHUTE ASSEMBLY - PRONTOBAR	
98140000000033	ASS. SCIVOLO PER MACININO SX PRONTOBAR	LEFT ASSEMBLY GRINDER CHUTE- PRONTOBAR	
98160000000142	ASSIEME SONDA + RESISTENZA GR. EROGAZIONE PRONTOBAR	ASSEMBLY TEMP PROBE + CARTRIDGE HEATING	
98160000000149	ASS. TRAF+CABLAGGIO PRONTOBAR TFT CON EASY CREAM	ASSEMBLY TRAF + WIRING PRONTOBAR TFT WITH EASY CREAM	
98170000000033	ASSIEME SUPPORTO + COMPRESSORE TALENTO	ASSEMBLY SUPPORT + TALENT COMPRESSOR	
98200000000022	ASSIEME TANICA ACQUA 5 LITRI CON GALLEGGIANTE	WATER CONTAINER COMPLETE 5 LITRES	
98210000000035	ASSIEME RUBINETTO ARIA LATTE CAPPUCCINATORE	ASSEMBLY MILK AIR TAP CAPPUCCINATORE	
98210000000320000	ASSIEME ELTTROVALVOLA ALLUNGO PRONTOBAR	ASSEMBLY SOLENOID VALVE ALONG PRONTOBAR	
980100000001120000	ASSIEME CASSETTO FONDI PRONTOBAR	ASSEMBLY DRAWER FUNDS PRONTOBAR	
980100000001140000	ASSIEME VASCHETTA RACC.ACQUA PRONTOBAR	ASSEMBLY VASCHETTA COLLECT WATER PRONTOBAR	
980100000001300001	ASSIEME PORTA FRONTALE PRONTOBAR TFT NERO	ASSEMBLY FRONT DOOR PRONTOBAR TFT BLACK	
980300000000960000	ASSIEME CALDAIA CAFFE' PRONTOBAR AR - TFT	ASSEMBLY COFFEE BOILER PRONTOBAR TFT	
980300000000990000	ASSIEME CALDAIA VAPORE PRONTOBAR AR 2017 CSA + TFT	ASSEMBLY COFFEE BOILER PRONTOBAR TFT	

P
R
O
N
T
O
B
A
R

T
F
T