

PRODOTTI / RICAMBI
PRODUCTS / SPARE PARTS
PRODUITS / PIECES DETACHEES
PRODUKTE / ERSATZTEILE
PRODUCTOS / REPUESTOS

MYTHOS 2

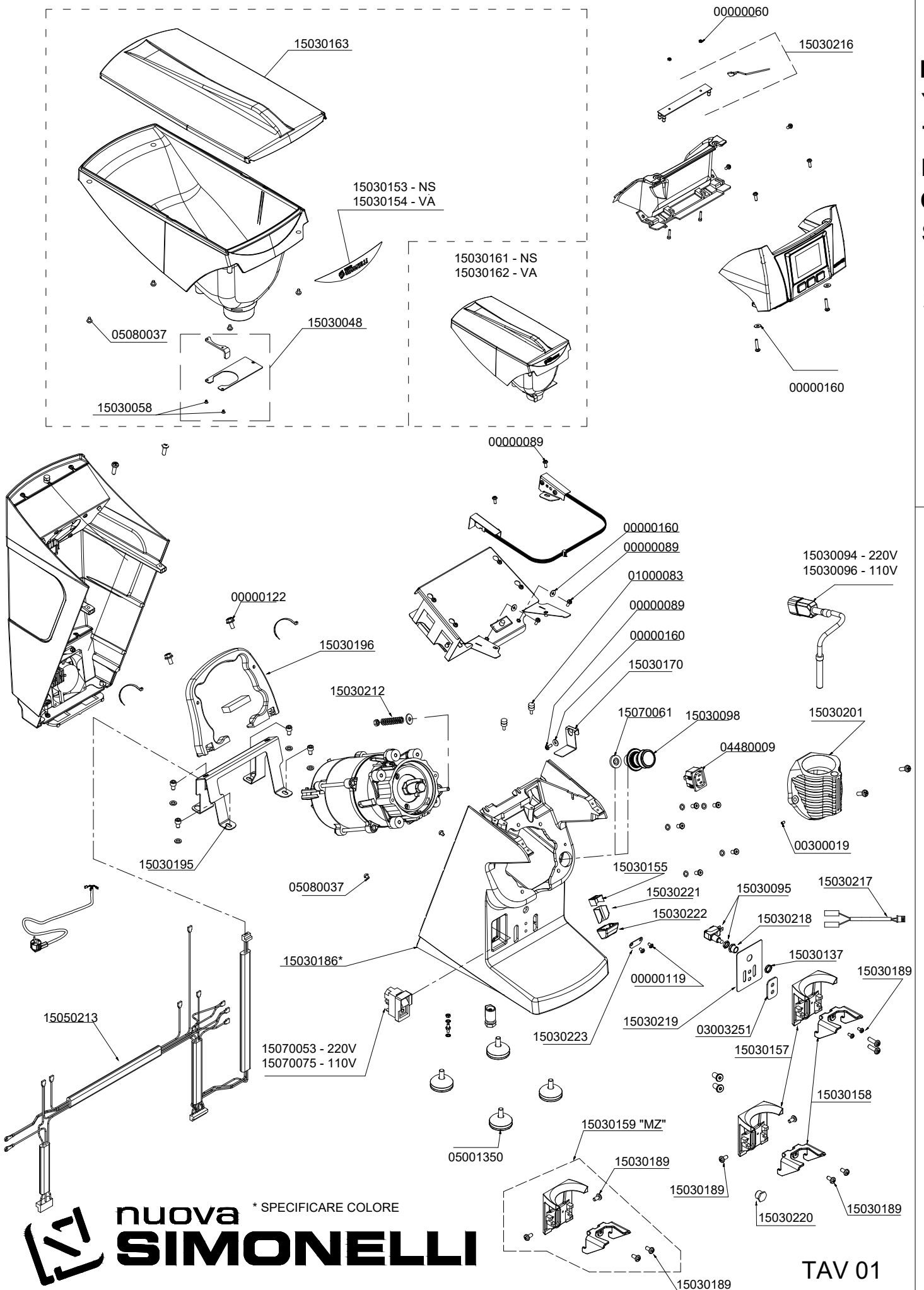
ESPLOSO
11/2018



 nuova
SIMONELLI

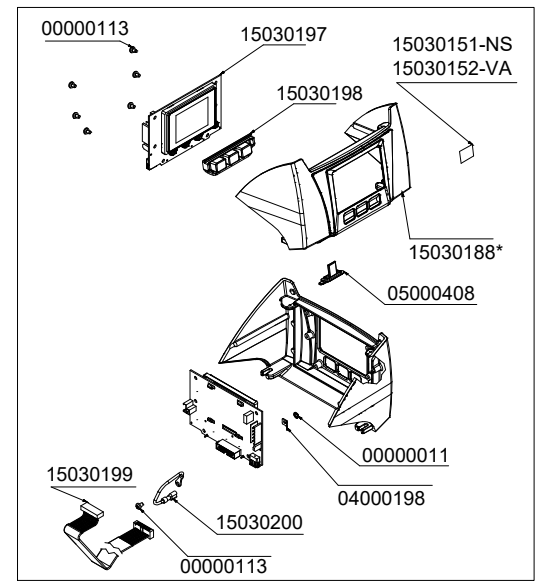
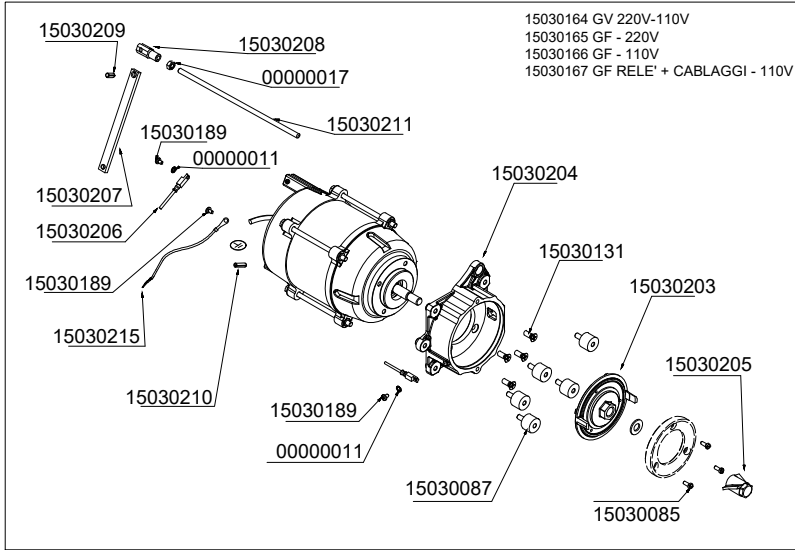
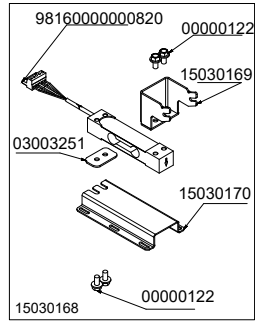
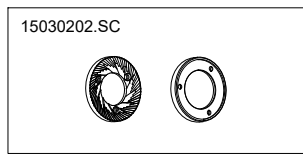
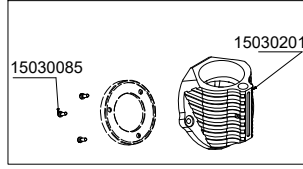
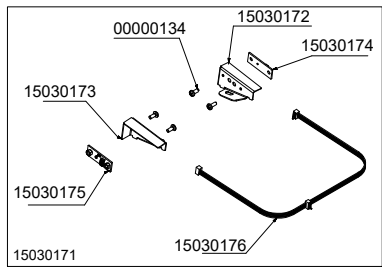
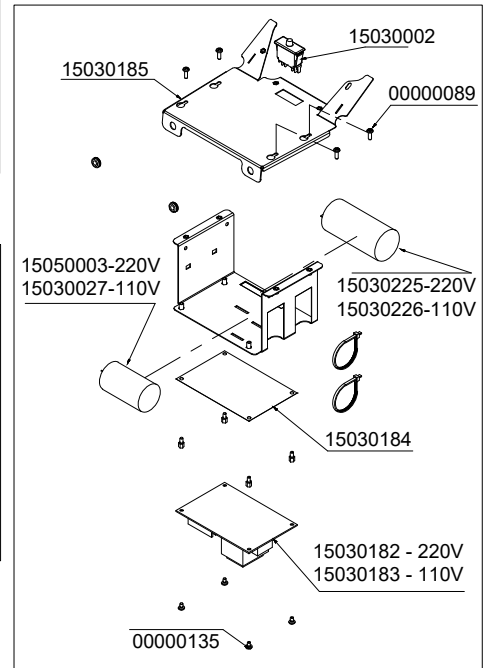
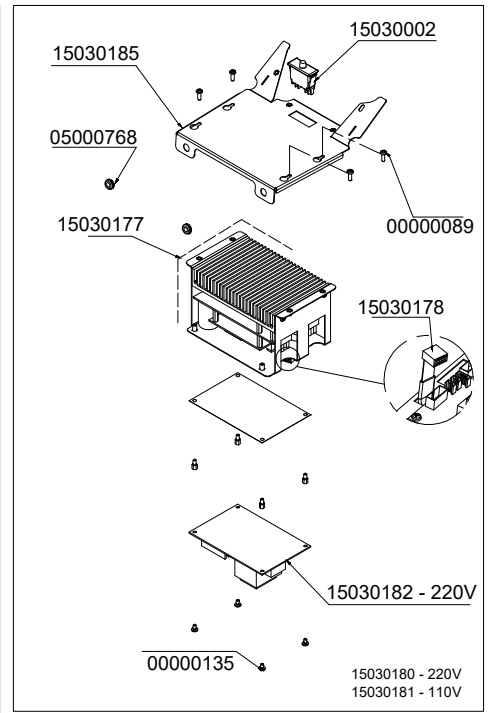
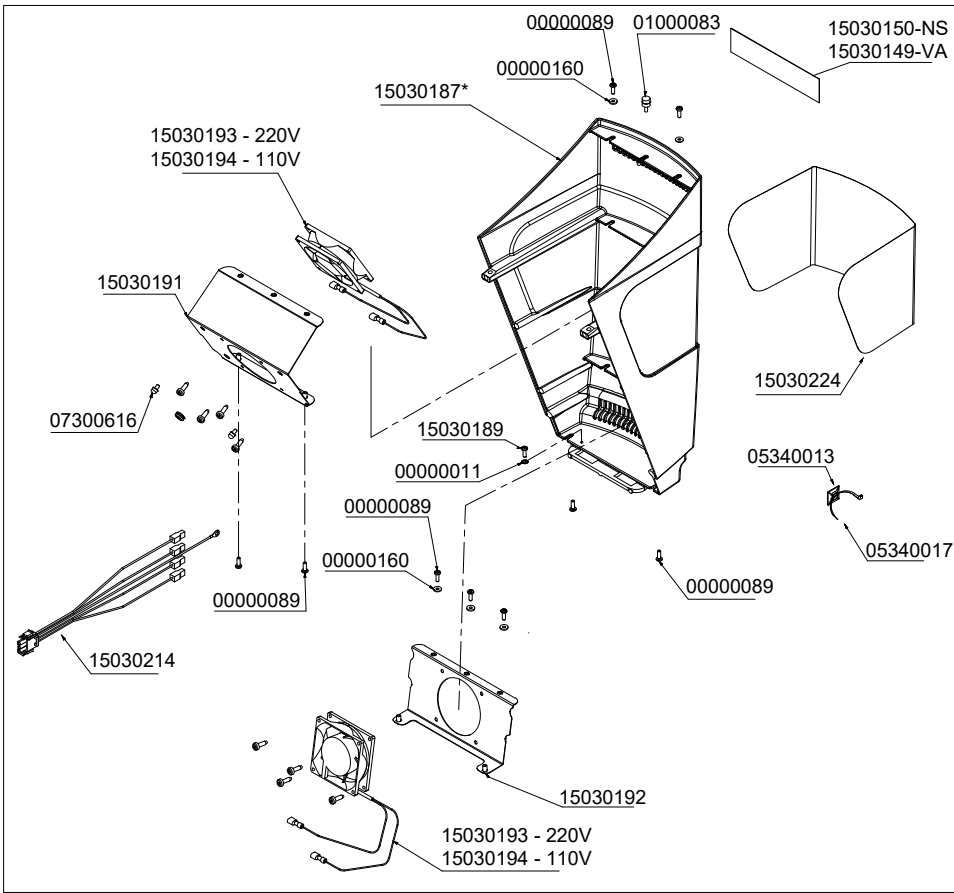
MYTHOS 2

MYTHOS 2



MYTHOS 2

MYTHOS 2



| CODICE | DESCRIZIONE | DESCRIPTION | END VALIDITY |
|-------------|---|---|---------------------------------|
| 00000011 | RONDELLA INOX M4 ZIGRINATA UNI | STAINLESS STEEL KNURLED WASHER D4 | M Y T H O S 2 |
| 00000017 | DADO AQ M6 ALTO ZINC. h6 5587 | ZINC COATED NUT AQ M6 HIGH | |
| 00000060 | DADO AQ M3 MEDIO ZINCATO | M3 MEDIUM GALVANISED NUT | |
| 00000089 | VITE INOX M4x12 TC TCR DIN7985 | SS CROSSHEAD CAP SCREW M4x12 | |
| 00000113 | VITE INOX M4x6 TC T.CR. 7985 | SS CROSSHEAD CAP SCREW M4x6 | |
| 00000119 | VITE INOX M4x6 TSPTCR ISO 7046 | SS CROSS HEAD COUNTERSUNK SCREW M4x6 | |
| 00000122 | VITE AQ 8.8 M6x12 TE FLANG. ZIGR. ZINC. BIANCO | GALV. FLANGED KNURLED HEX CAP SCREW 8.8 M6x12 | |
| 00000134 | VITE AQ M3x6 TC TC ZINC. | SCREW AQ M3x6 TC TC ZINC. UNI 6107 | |
| 00000135 | VITE AUTOF 2,9x15 TCTC ZIN. | GALV. SLOTTED CAP SELF-TAPPIN SCREW 2,9x15 | |
| 00000160 | RONDELLA INOX D4x12x1 UNI 6593 | STAINLESS WASHER D4X12 | |
| 00300019 | GRANO INOX M4x6 UNI 5923 PP | STAINLESS STEEL DOWEL M4X8 5923 | |
| 01000083 | ANTIVIBRANTE DD 10x10 M4 | ANTI-VIBRATING DD 10X10 M4 | |
| 01000083 | ANTIVIBRANTE DD 10x10 M4 | ANTI-VIBRATING DD 10X10 M4 | |
| 03003251 | LAMIERA SPESSORE SUPPORTO BILANCIA VA388 | WEIGHT SCALE SHEET METAL SUPPORT | |
| 04000198 | PRESA LAMELLARE M 6.3 d4.2 45° | FOIL HOLDER M 6.3 D 4.2 45° | |
| 04480009 | PRESA IEC DA INCASSO 3 POLI FASTON 6,3 10A FEMMINA | PLUG IEC F | |
| 05000408 | CHIUSURA PORTA USB VA388 | USB COVER VA 388 | |
| 05000768 | PASSAC. PVC NERO D13.5x6.6x1.5 | D13.5x6.6x1.5 BLACK PVC CABLE DUCT | |
| 05001350 | PIEDE MACCHINA D.40 H=18+GOMM. INSERTO M8 MASCHIO | MACHINE FOOT MASTER | |
| 05080037 | PIEDINO GOMMA DURA TONDO 9x5xh9 | MOTOR FOOT MASTER | |
| 05080037 | PIEDINO GOMMA DURA TONDO 9x5xh9 | MOTOR FOOT MASTER | |
| 05340013 | BASETTA 19x19 PER FASCETTA CON FORO PER VITE M4 | SMALL BASE 19x19 FOR BAND WITH SCREW HOLE M4 | |
| 05340017 | FASCETTA SERRAFILI 135x2,6 NERO | BLACK WIRE CLAMP 135x2,6 | |
| 07300616 | PERNO CARENA M4 MICROBAR | MICROBAR CASE M4 PIN | |
| 15030002 | MICROSW SICUREZZA MYTHOS | SAFETY MICROSWITCH MYTHOS | |
| 15030027 | CONDENSATORE 60 µF | 60 µF CAPACITOR | |
| 15030048 | GHIGLIOTTINA COMPLETA MYTHOS | COMPLETE GUILLOTINE MYTHOS | |
| 15030058 | VITE INOX M3x5 TSP TCR | SS SCREW M3X6 | |
| 15030085 | VITE INOX M4x10 TCT(-) TESTA | GRINDER ASSEMBLY SCREW M4X10 | |
| 15030087 | ANTIVIBRANTE D20xH15xL=16 M6 | VIBRATION DAMPER 20x15 M6 M/F | |
| 15030094 | RESISTENZA + PRESA MYTHOS ONE 220V | MYTHOS ONE CARTRIDGE HEAT. ELEMENT 220V | |
| 15030095 | MICROSW ATTIV. MACIN. MYTHOS ONE | MYTHOS ONE MICROSWITCH | |
| 15030096 | RESISTENZA + PRESA MYTHOS ONE 110V | MYTHOS ONE CARTRIDGE HEAT. ELEMENT 110V | |
| 15030098 | POMELLO REGISTRO MACIN. MYTHOS ONE AZZERABILE | MYTHOS ONE GRINDER REGISTER HANDLE | |
| 15030131 | VITE INOX M6x16 TSP T.CR. | SS SCREW M6X16 | |
| 15030137 | DADO X GUIDA MICRO ATTIV. MACIN. MYTHOS ONE | MICRO ACTIVATOR GUIDE NUT | |
| 15030150 | ETICHETTA "NUOVA SIMONELLI" | "NUOVA SIMONELLI" LABEL | |
| 15030151 | ETICHETTA LOGO MYTHOS 2 N.S. | "N.S. MYTHOS 2" LABEL | |
| 15030152 | ETICHETTA LOGO MYTHOS 2 V.A. | "V.A. MYTHOS 2" LABEL | |
| 15030153 | ETICHETTA FRONTALE CAMPANA "NUOVA SIMONELLI" MYTHOS 2 | "NUOVA SIMONELLI" COFFEE BELL LABEL | |
| 15030154 | ETICHETTA FRONTALE CAMPANA "VICTORIA ARDUINO" MYTHOS 2 | "VICTORIA ARDUINO" COFFEE BELL LABEL | |
| 15030155 | FRANGIA CLUMP CRUSHER MYTHOS 2 | CLUMP CRUSHER SHEET | |
| 15030157 | FORCELLA MYTHOS 2 | MYTHOS 2 FORK | |
| 15030158 | STAFFA REGGI PORTAF. REGOL. MYTHOS 2 | FILTERHOLDER SUPPORT BRACKET | |
| 15030159 | GRUPPO FORCELLA MYTHOS 2 PER PORTAFILTRO "MZ" | "MZ" FILTERHOLDER FORK GROUP | |
| 15030160 | STAFFA REGGI PORTAF. REGOL. MYTHOS 2 PER PORTAFILTRO "MZ" | "MZ" FILTERHOLDER SUPPORT BRACKET | |
| 15030163 | COPERCHIO CAMPANA MYTHOS2 | COFFEE BELL COVER | |
| 15030169 | SUPP. PORTAF. BILAN. MYTHOS 2 | WEIGHT SCALE FILTERHOLDER SUPPORT | |
| 15030170 | SUPP. BILANCIA PER MYTHOS 2 | WEIGHT SCALE SUPPORT | |
| 15030172 | LAMIERA SUPP. SENSORI GRANO DX | RIGHT GRAIN SENSOR SUPPORT SHEET | |
| 15030173 | LAMIERA SUPP. SENSORI GRANO SX | LEFT GRAIN SENSOR SUPPORT SHEET | |
| 15030174 | SENSORE TX PER LIVELLO GRANO (LATO DX) | RIGHT TX GRAIN LEVEL SENSOR | |
| 15030175 | SENSORE RX PER LIVELLO GRANO (LATO SX) | LEFT RX GRAIN LEVEL SENSOR | |
| 15030176 | CAVO COLL. SENSORI PRESENZA CAFFE' MYTHOS2 CAV43 | SENSORS CABLE | |
| 15030177 | ASSIEME INVERTER IC 400 (110V-22V) | INVERTER IC 400 | |
| 15030178 | CAVETTO INVERTER | INVERTER CABLE | |
| 15030182 | ALIMENTATORE 220V X MYTHOS 2 | 220V POWER SUPPLY | |
| 15030183 | ALIMENTATORE 110V X MYTHOS 2 | 110V POWER SUPPLY | |
| 15030184 | PROTEZIONE SCHEDA MYTHOS 2 | CONTROL UNIT PROTECTIVE SHEET | |
| 15030185 | PROTEZ. SOTTOCAMPANA MYTHOS 2 | UNDER-COFFEE BELL PROTECTION SHEET | |
| 15030186 | BASAMENTO MYTHOS 2 | MYTHOS 2 BASE | |
| 15030187 | CORPO POSTER. MYTHOS 2 | MYTHOS 2 BACK COVER | |
| 15030188.B | PANNELLO FRONT. MYTHOS 2 | MYTHOS 2 FRONT COVER | |
| 15030189 | VITE INOX M4x8 TC T.CR. | SS CROSSHEAD CAP SCREW M4x8 | |
| 15030191 | SUPP. VENTOLA SUP. X MYTHOS 2 | MYTHOS 2 HIGHER FAN SUPPORT | |
| 15030192 | SUPP. VENTOLA INF. X MYTHOS 2 | MYTHOS 2 LOWER FAN SUPPORT | |
| 15030193 | VENTOLA 230V MYTHOS 2 CABLATA | MYTHOS 2 230V POWERED FAN | |
| 15030194 | VENTOLA 110V MYTHOS 2 CABLATA | MYTHOS 2 110V POWERED FAN | |
| 15030195 | STAFFA SUPP. MOTORE MYTHOS 2 | MYTHOS 2 MOTOR SUPPORT BRACKET | |
| 15030196 | VERTEBRA MOTORE MYTHOS 2 | MYTHOS 2 HIGHER MOTOR SUPPORT | |
| 15030197 | SCHEDA DISPLAY TFT MYTHOS 2 | MYTHOS 2 DISPLAY TFT | |
| 15030198 | TASTIERA SILICONICA 3 TASTI MYTHOS 2 | MYTHOS 2 3 KEYS KEYBOARD | |
| 15030199 | CAVO FLAT 20 VIE X MYTHOS 2 | MYTHOS 2 20 WAYS FLAT CABLE | |
| 15030200 | CABLAGGIO TERRA X FRONTALE MYTHOS 2 | MYTHOS 2 GROUND CABLE | |
| 15030201 | PORTAMACINA SUP. MYTHOS 2 | MYTHOS 2 HIGHER GRINDERHOLDER | |
| 15030202.SC | COPPIA MACINE D.85 LONG LIFE + SCATOLA | D 85 LONG LIFE GRINDERS | |

| CODICE | DESCRIZIONE | DESCRIPTION | END VALIDITY |
|--|---|--|---------------------------------|
| 15030203 15030204 15030205 15030206 15030207 15030208 15030209 15030210 15030211 15030212 15030213 15030214 15030215 15030216 15030217 15030218 15030219 15030220 15030221 15030222 15030223 15030224 15030225 15030226 15050003 15070053 15070054 15070061 98160000000820 | PORTAMACINA INF. MYTHOS 2 CAMERA DI MACINATURA MYTHOS 2 CHIOCCIOLA FERMA PORTAMACINE MYHTOS 2 SONDA TEMPERATURA MYTHOS 2 ASTA REGISTRO MYTHOS LOW FORCELLA REGISTRO MDL/C- MCD - MYTHOS 2 SPINA ELASTICA 5x12 SPINA ELASTICA 5x20 TIRANTE REG. MCD - MYTHOS LOW MOLLA TIRANTE REG. MACINATURA CORTA CABLAGGIO GENERALE MYTHOS 2 CAVO COLL. VENTOLE + TERRA MYTHOS 2 CAVO OCCHIELLO 4.2 30cm TERRA MODULO LED MYTHOS 2 + CAVETTO CAVO COLL. MICRO ATTIV. MACIN. MYTHOS 2 DADO GUIDA MICRO ATTIV. MACIN. MYTHOS 2 CHIUSURA FORI BILANCIA MYTHOS 2 DADO TAPPO MICRO MYTHOS 2 CANALETTO USCITA CAFFE' MYTHOS 2 COPERCHIO CANALETTO USCITA CAFFE' MYTHOS 2 FERMAGLIO CLUMP CRUSHER MYTHOS 2 ETICHETTA POSTERIORE MYTHOS 2 PILOT PER MYTHOS 2 - 220V PILOT PER MYTHOS 2 - 110V CONDENSATORE 20 µF INTERUTTORE 220V MDJ-MDXS-M2 FERMACAVO DA PANNELLO MM. 13 BOCCOLA CENTRAGGIO ASTA x MDJ TEFLON ASSIEME CELLA DI CARICO VA388 + CONNETTORE | MYTHOS 2 LOWER GRINDERHOLDER MYTHOS 2 GRINDING CHAMBER MYTHOS 2 GRINDERHOLDER SCREW MYTHOS 2 TEMPERATURE SENSOR CALIBRATION ROD MYTHOS 2 FORK CALIBRATOR MDL/C-MCD SPRING PIN 5x12 SPRING PIN 5x20 CALIBRATION TIE ROD MCD SHORT CALIBRATION TIE ROD SPRING MYTHOS 2 MAIN CABLE MYTHOS 2 FAN + GROUND CABLE 4,2 EYELET GROUND CABLE 30 cm LED + CABLE MYTHOS 2 MICROSWITCH CONNECTION CABLE MYTHOS 2 MICROSWITCH DRIVING NUT MYTHOS 2 WEIGHT SCALE HOLES COVER MYTHOS 2 MICROSWITCH COVER NUT MYTHOS 2 GRIINDED COFFEE CHANNEL MYTHOS 2 GRINDED COFFEE CHANNEL COVER MYTHOS 2 CLUMP CRUSHER CLIP MYTHOS 2 BACK LABEL MYTHOS 2 PILOT - 220V MYTHOS 2 PILOT - 110V 20 µF CAPACITOR SWITCH CABLE BLOCK CENTERING BUSHING SCALE SENSOR + CONNECTIONS VA388 | M Y T H O S 2 |