

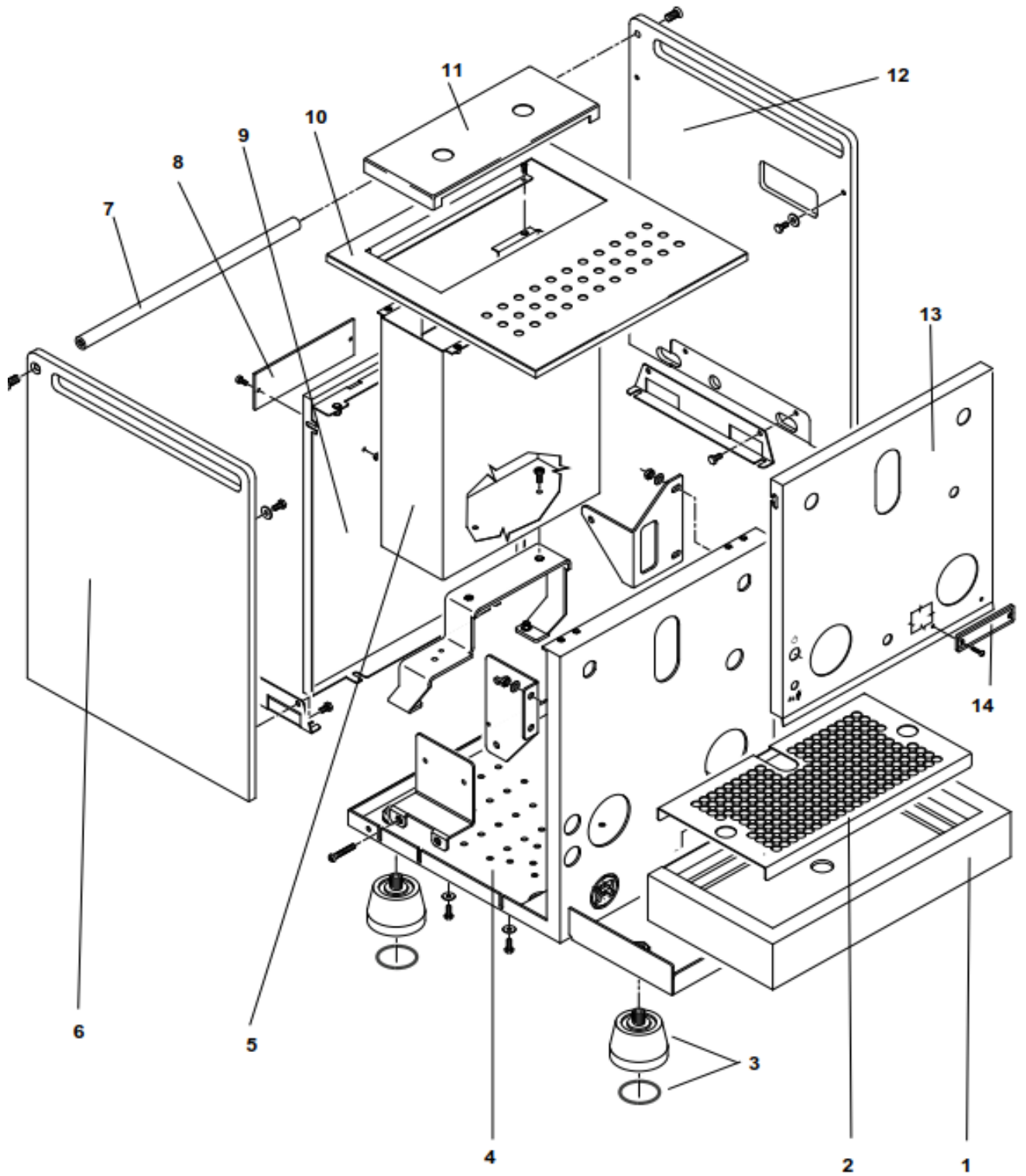


**Mozzafiato Evoluzione Type v - Giotto Evoluzione Type v
Espresso Machine**

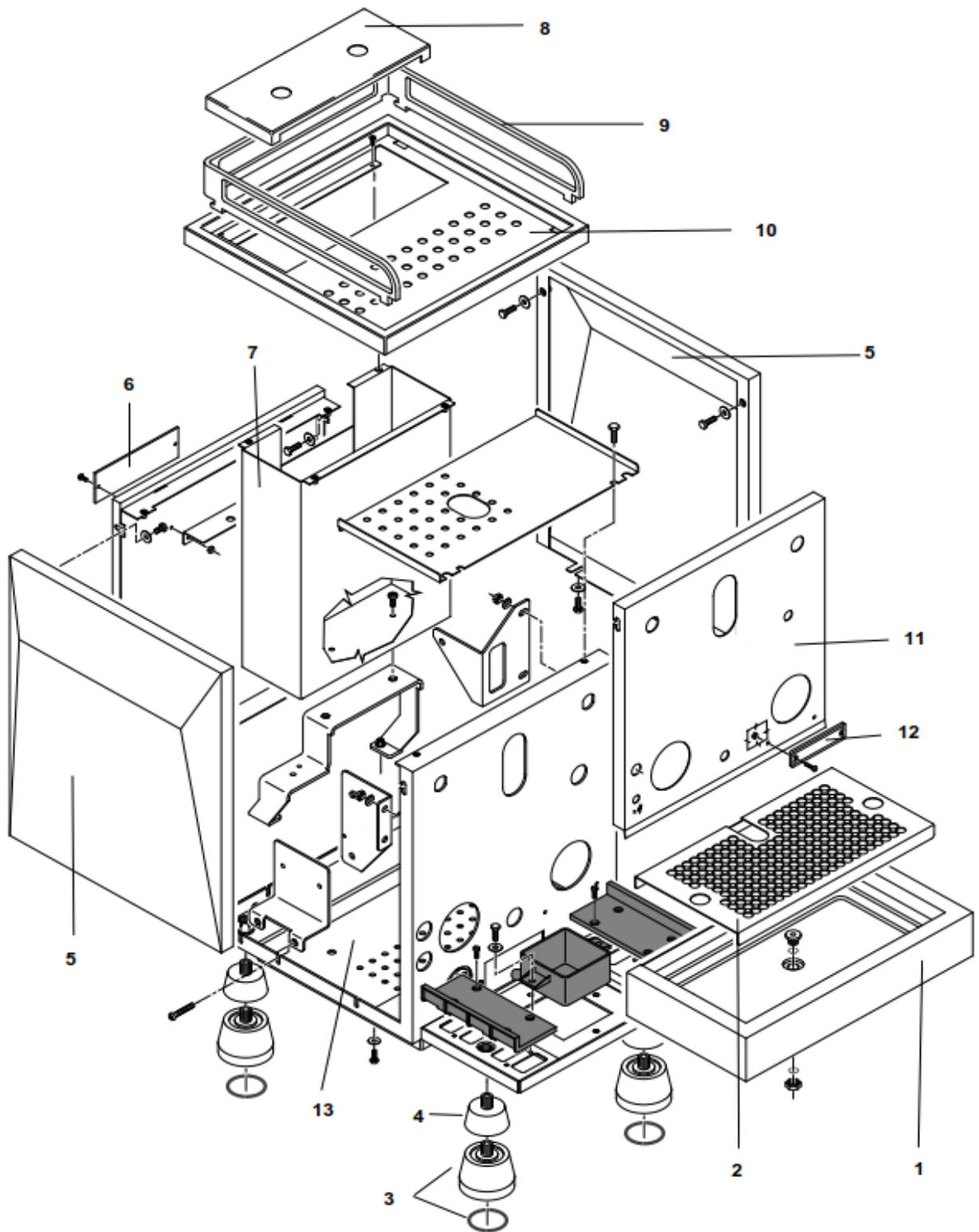
Spare parts catalogue

Subject to change without notice.

Ed. 07.2017

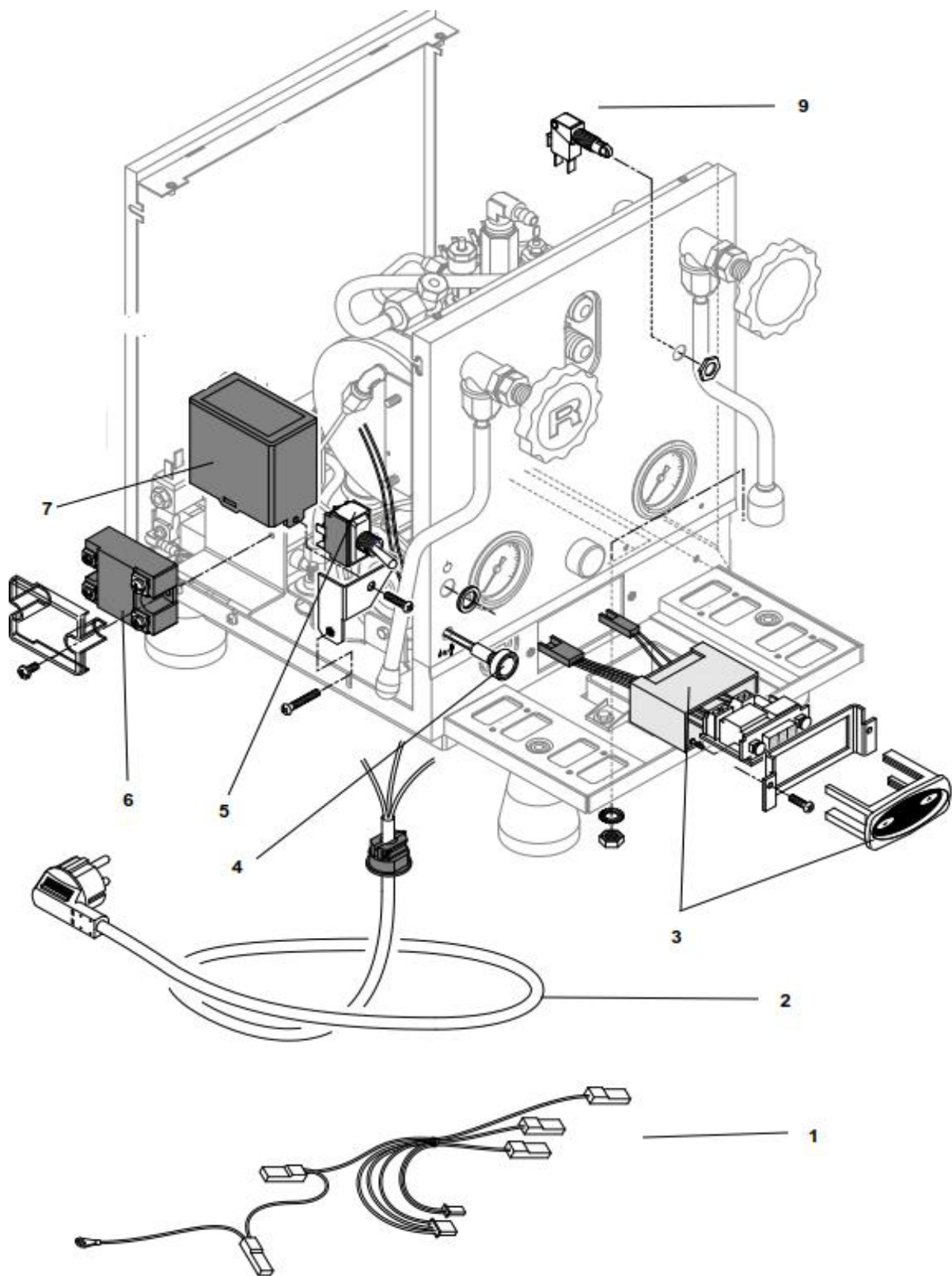


Pos.	#	Description	Euro	Notes
1	R01L005125	Drip tray	96,00	
2	A019904346	Grid	23,20	
3	A059906054	Foot with silicone O-ring	11,03	
4	A009906079	Chassis	92,75	
5	A019904656	Tank guide	39,80	
6	A057706052	Left side panel chrome	177,10	
	A05B706052	Left side panel black	198,60	
	A05W706052	Left side panel white	198,60	
7	A059906053	Bar	14,63	
8	A859904400	Rear tag	21,66	
9	C01L004255	Rear panel chrome	49,20	
	C01B004255	Rear panel black	65,20	
	C01W004255	Rear panel white	65,20	
10	A019906050	Cover	30,40	
11	R01L000382	Reservoir cover	20,00	
12	A057706051	Right side panel chrome	177,10	
	A05B706051	Right side panel black	198,60	
	A05W706051	Right side panel white	198,60	
13	A19I004629	Front panel	34,6	
14	A859906121	Front tag	13,95	

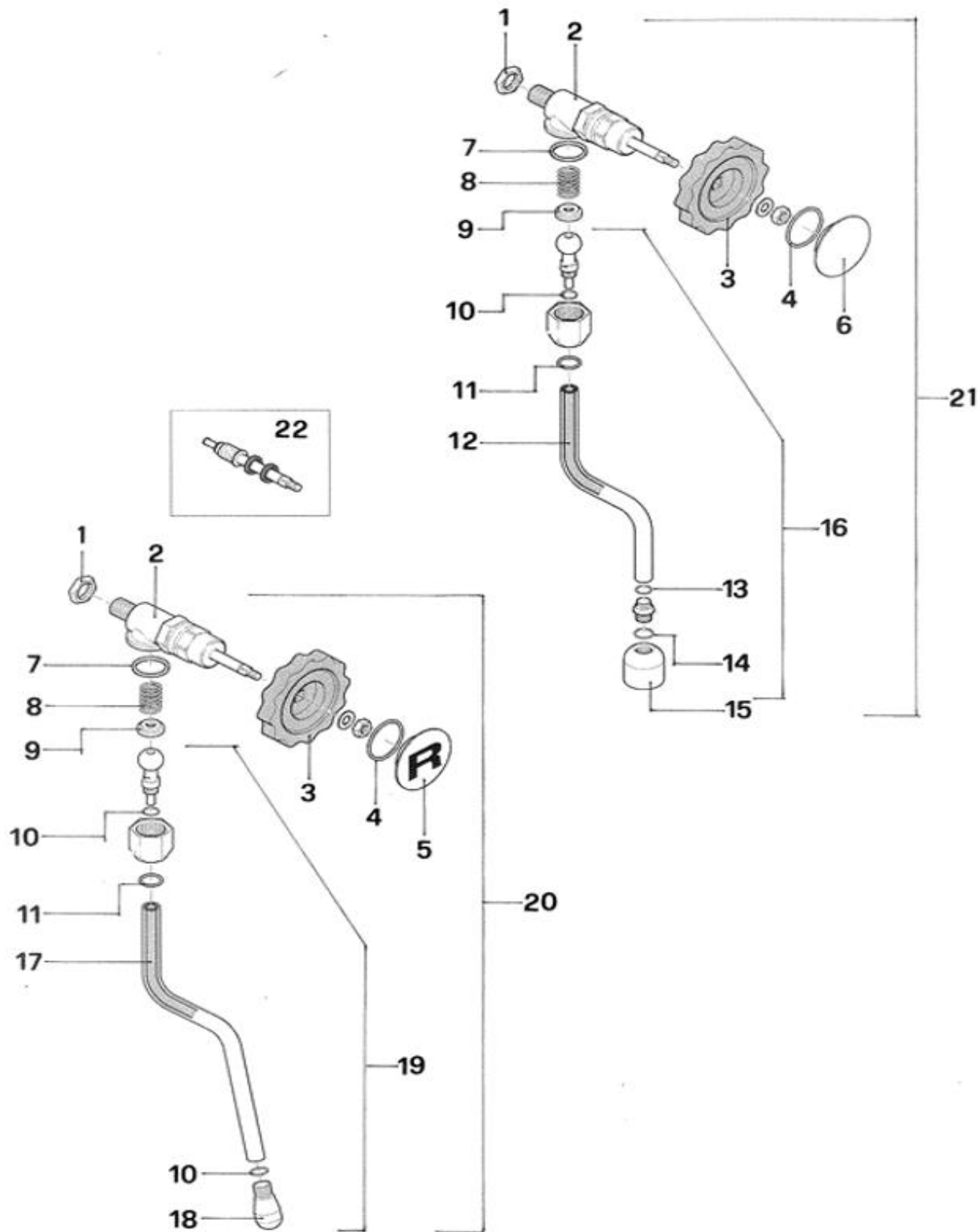


Giotto Type v**Bodywork**

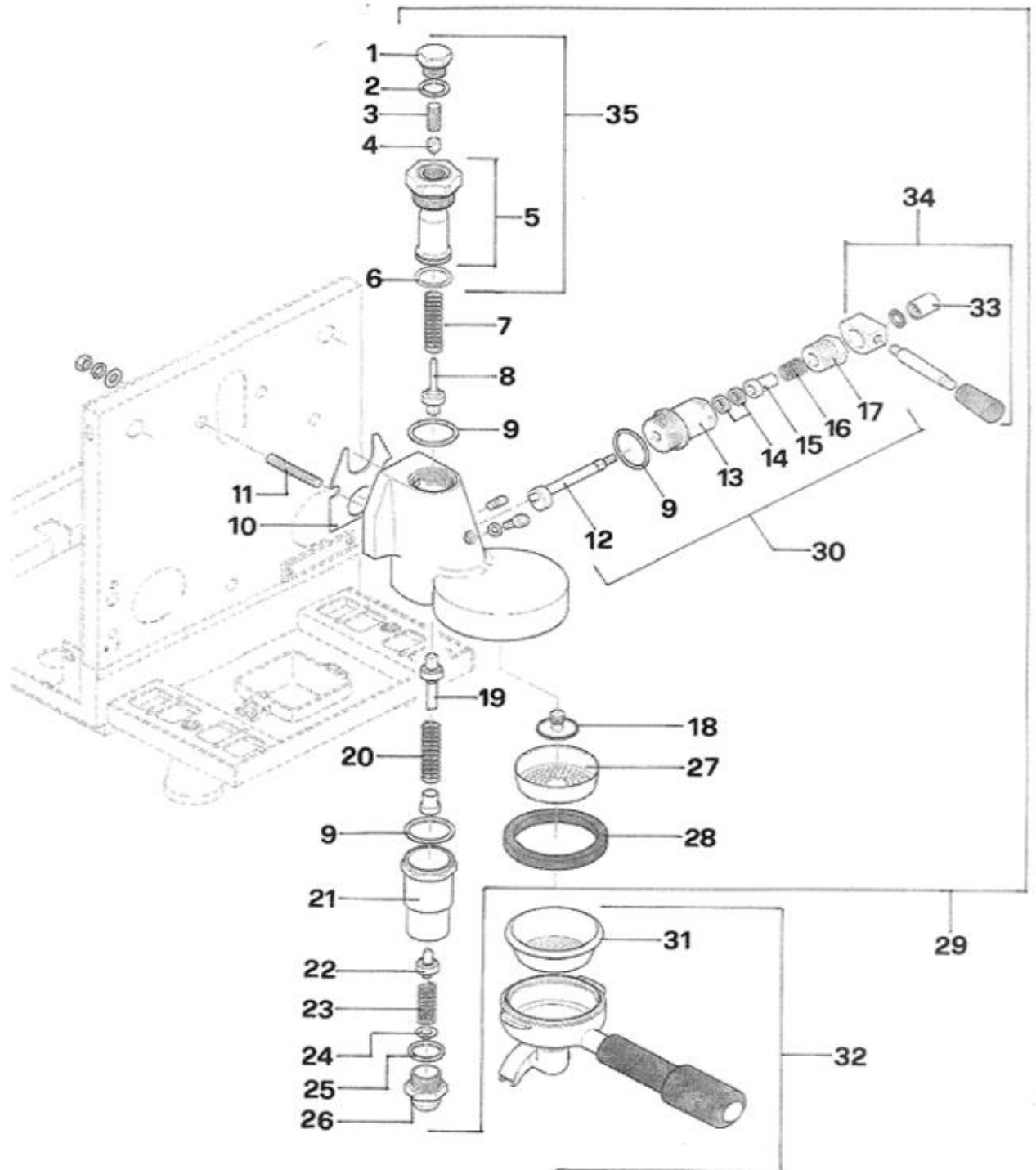
Pos.	#	Description	Euro	Notes
1	R01L005125	Drip tray	96,00	
2	A019904346	Grid	23,20	
3	A059906054	Foot with silicone O-ring	11,03	
4	A059906073	Foot extension	6,53	
5	A019906043	Side panel stainless steel	75,60	
6	A859904400	Rear tag	21,66	
7	A019904656	Tank guide	39,80	
8	R01L000382	Reservoir cover	20,00	
9	A999904597	Cups frame stainless steel	68,00	
10	C01L004246	Cover	64,05	
11	A01I004629	Front panel	34,60	
12	A859906123	Front tag	13,95	
13	A009906079	Chassis	92,75	



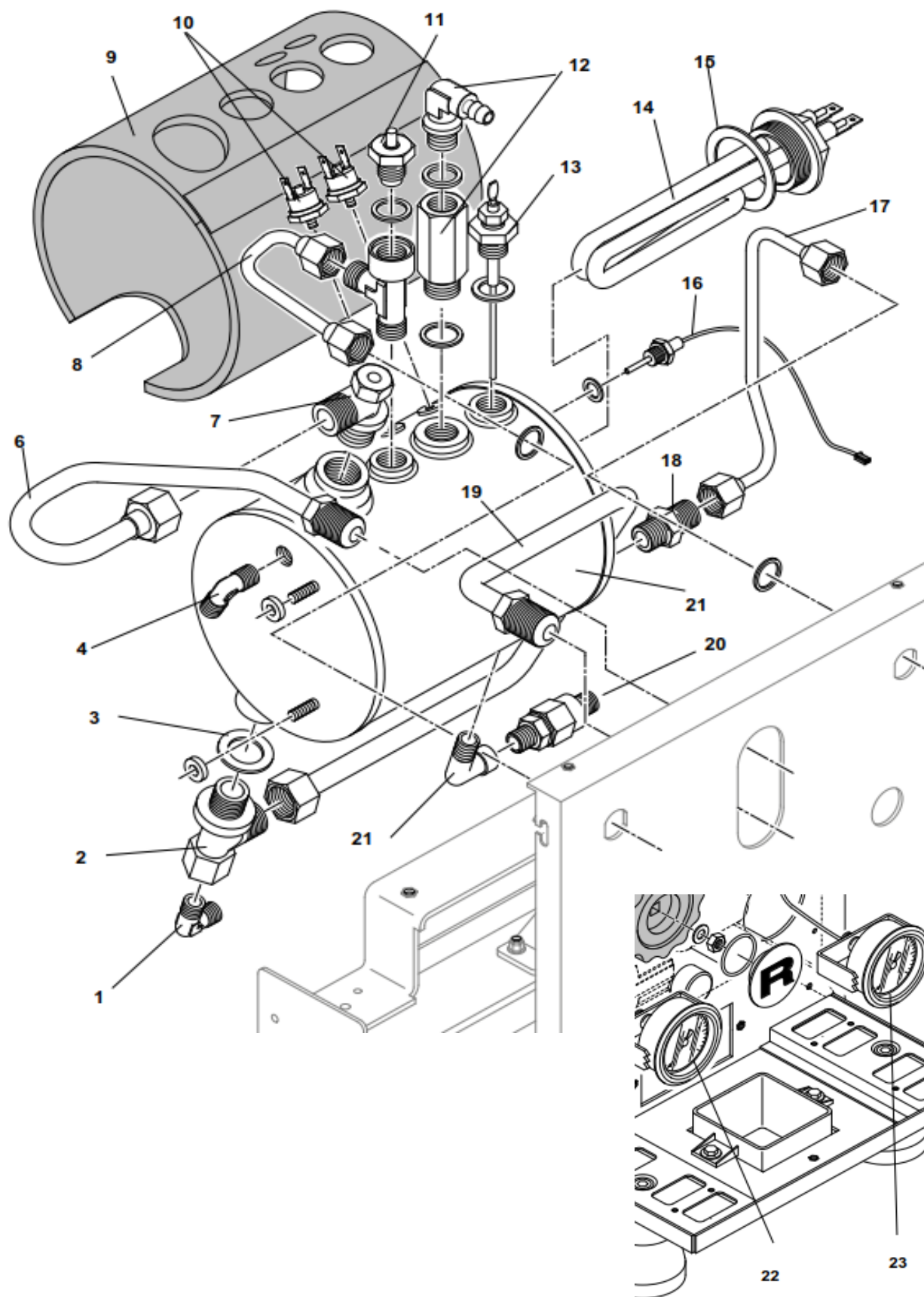
Pos.	#	Description	Euro	Notes
1	A199906082	Wiring loom	35,70	
2	C199900957	CE Power cord	9,90	
	A199904518	IS Power cord	18,00	
	A199904616	KR Power cord	18,00	
	C199900958	UL Power cord	11,25	
	C199901115	AUS/NZ Power cord	13,54	
	C199901116	GB Power cord	11,25	
	C199901510	CH Power cord	11,25	
3	A199905505	Thermo-PID V. 230/50	64,75	
	A199905514	Thermo-PID V. 115/60	68,25	
4	A139904519	Green lamp	3,15	
5	A199906002	On-off switch	8,10	
6	A190004666	Relé SSR	38,50	
7	A190004524	Control board V.230-240 /50 - 60 Hz	64,20	
	A190004525	Control board V. 115/60	64,20	
9	A199905198	Microswitch	9,22	



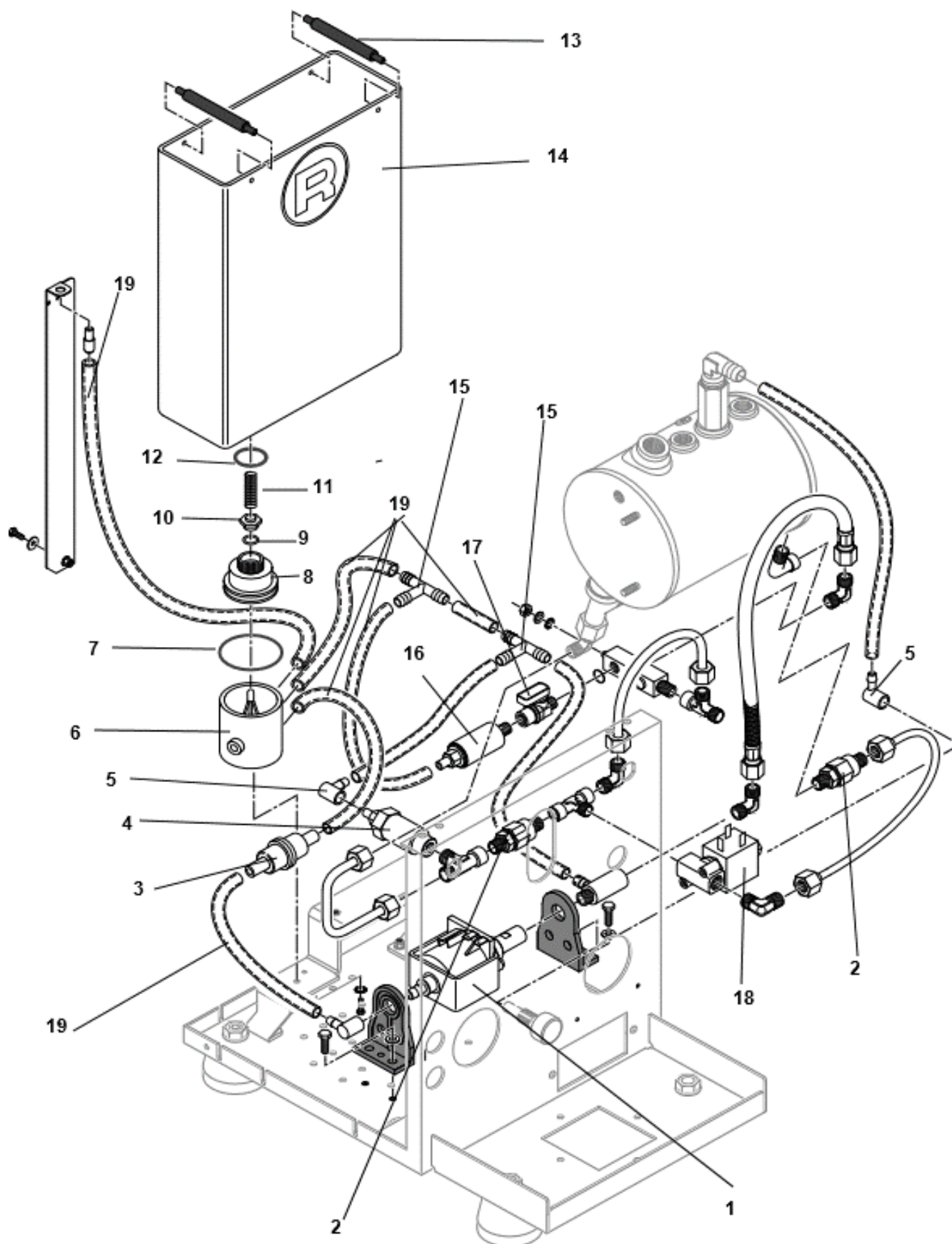
Pos.	#	Description	Euro	Notes
1	A329905087	Nut 1/4"	1,00	
2	A229905784	Valve	29,00	
3	A639905816	Handle	7,42	
4	A449904672	O-Ring	2,05	
5	A529R04649	"R" cover for steam valve handle	21,60	
6	A527704649	Cover for hot water handle	16,54	
7	A449904331	Teflon gasket	0,14	
8	A209904332	Spring	0,62	
9	A229904333	Plate	0,87	
10	C400002022	O-Ring	0,20	
11	A449904334	O-Ring	0,35	
12	C440003449	Siliconr pipe 4 x 7	1,47	
13	C400002022	O-Ring	0,20	
14	C400003008	O-Ring	0,25	
15	C227700536	Hot water nozzle	6,43	
16	R290003612	Hot water wand (complete)	24,00	
17	C440003449	Silicone pipe 4 x 7	1,47	
18	C200002839	Steam nozzle 2 holes 1,5	5,40	
19	R290003611	Steam wand (complete)	23,00	
20	R299906015	Steam wand with valve	68,47	
21	R299906016	Hot water wand with valve	68,47	
22	R229905953	Shaft	5,00	



Pos.	#	Description	Euro	Notes
1	A229904391	Rounded nut	4,00	
2	C469900420	Gasket	0,50	
3	C619900554	Filter	2,56	
4	C229900549	Restrictor 0,8	0,64	
6	C469900422	Green gasket	1,50	
7	R219905890	Spring	1,50	
8	R229905608	Valve	11,25	
9	C469900421	Teflon gasket	1,50	
10	C449900767	Gasket	0,65	
11	A319904599	Screw	0,18	
12	R229905238	Shaft	20,25	
13	R000002142	Flange	15,75	
14	C219900426	Gasket	1,50	
15	R000002143	Support	3,00	
16	C219900427	Spring	2,00	
17	R000002144	Cover	2,40	
18	C229901228	Diffuser	5,85	
19	R229905239	Valve	17,55	
20	R219905890	Spring	2,00	
21	C229901165	Cylinder	22,04	
22	R229905609	Valve	11,25	
23	R299905958	Spring	2,50	
24	R000002148	Connector	3,50	
25	C469900783	Gasket	0,50	
26	R000002149	Connector	3,19	
27	C519900103	Shower foil	4,30	
28	C449900229	Group gasket	1,25	
29	A229905448	Group complete	240,00	
30	R299905887	Cam kit	29,80	
31	C610003902	7 g filter basket	6,08	
	C610003901	14 g filterbasket	6,08	
	C619900106	Backflush cap ("blind filter")	3,15	
32	A699905020	1 cup filter holder with basket	40,68	
	A699905021	2 cups filter holder with basket	40,68	
33	R000002146	Pin	4,50	
34	R299905888	Lever assembly	32,60	
35	RA99905814	Ceramic group shaft	60,00	



Pos.	#	Description	Euro	Notes
1	C229900393	Injector 110 mm	6,03	
2	C229900740	Connector	9,09	
3	C479900673	Copper gasket	1,00	
4	A229904355	Connector	2,00	
6	A279905173	Inlet pipe	12,28	
7	A229904957	Connector	4,00	
8	A279904290	Steam pipe	8,50	
9	A499905058	Boiler insulation	7,47	
10	C199901550	Thermostat 135°C	7,20	
11	A219905510	Vacuum breaker valve	7,56	
12	A299904998	Safety valve	22,30	
13	C199900839	Boiler level probe	9,45	
14	C199901551	Heating element V. 230	41,20	
	C199901552	Heating element V.1115	43,50	
15	C469900239	Heating element gasket	3,00	
16	A119905081	NTC probe	30,00	
17	A229905097	Water pipe	8,50	
18	C229900520	Connector	1,70	
19	A279904289	Return pipe	11,45	
20	C229900540	Non return valve	10,98	
21	A277704278	Boiler	147,00	
22	A299904632	Boiler pressure gauge with capillary pipe	26,00	
23	A299904633	Pump pressure gauge with capillary pipe	26,00	



Pos.	#	Description	Euro	Notes
1	C199900280	Vibration pump V230	€21,80	
	C199900281	Vibration pump V115	€26,32	
2	C229900540	Non return valve	€10,98	
3	C439900695	Filter	€1,60	
4	C229900911	Expasion valve	€14,20	
5	C449900709	Rubber connector	€0,90	
6	A439905147	Manifold	€2,40	
7	A449904547	O ring	€0,67	
8	A439905146	Coupling	€2,04	
9	C449900702	O ring	€0,36	
10	C430003482	Connector	€4,50	
11	C019900711	Spring	€1,75	
12	A449905151	Oring 4081	€0,40	
13	A639904956	Water tank handle	€1,00	
14	R899905144	Water tank complete	€34,25	
15	C400002827	Rubber T connector	€1,05	
16	A299905143	Expansion valve 9 bar 1/8 M	€13,05	
17	A299904994	Valve 1/8 MF	€14,17	
18	C190004066	Solenoid valve V230	€21,60	
	C190004067	Solenoid valve V115	€23,60	
19	C499900769	Silicon pipe 5x8	€7,02	