

Be it thirsty customers pouring into a café or hotel guests that prefer making their own coffee, the A600 can handle large groups of customers while producing a wide variety of premium drinks. And with optional features like iQFlow™ and FoamMaster™ – not to mention our easy-to-use interactive touch screen – baristas and customers alike can make any coffee they wish: with a machine that knows how to get the most out of its coffee beans. In addition, the A600's fully automatic cleaning system means you can be sure the strictest hygiene standards are always met – giving you more time to focus on providing the best customer service possible.

UNIT	CUPS PER DAY
A600	Up to 150



iQFlow™

Groundbreaking technology that extracts more flavor for unrivaled in-cup-quality.



FoamMaster™

For perfect foam, every time.



Franke Digital Services

A clear view of commercial and operational performance.

Technical Data

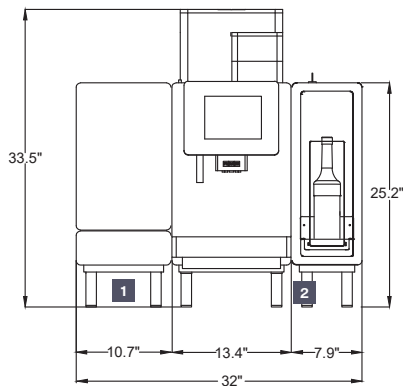
Machine Models

Model	Specification
A600 FM	
Electrical Connection	208V (30A)
Dimensions	13.4"W x 33.5"H in x 23.6"D
SU05 CM Electrical Connection	120V (15A)
SU05 CM Dimensions	10.6"W x 25.2"H x 18.7"D
Weight (empty)	Approx. 180 lbs (FM CM incl. SU05 CM)

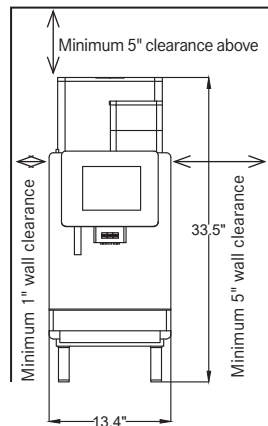


L6-30R

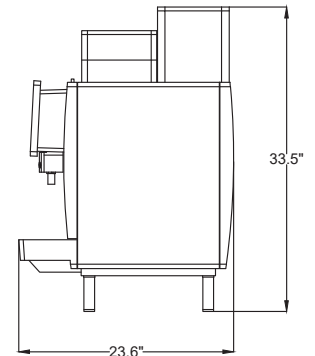
Standard Configuration - Front Profile



Front Profile and Clearances*



Side Profile



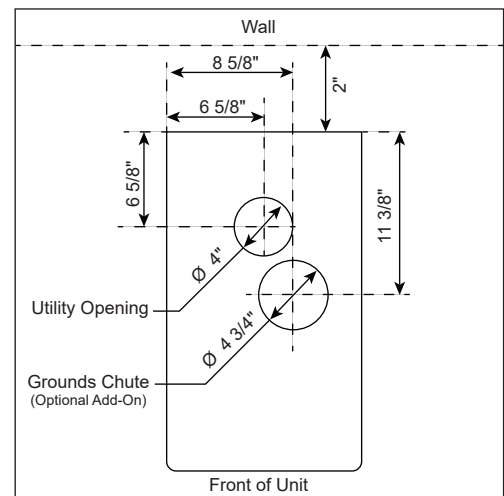
Water quality requirements

Aroma	Fresh and pure taste, with no perceptible aroma
Color	Clear
Total Hardness	70 - 140 ppm (mg/l)
Carbonate hardness	3 - 6° dH CH (carbonate hardness)
	50 - 105 ppm (mg/l)
Acid content/ph value	6.5 - 7.5 pH
Chlorine content	< 0.5 mg/l
Chloride content	< 30 mg/l
TDS	30 - 150 ppm (mg/l)
(Total dissolved solids)	
Electrical conductivity	50 - 200 µS/cm (microsiemens)
Iron Content	< 0.3 mg/l
Water pressure	80 - 800 kPa (0.8 - 8 bar)
Flow rate	> 0.1/sec
Water temperature	< 25°C

Water connection and drain

Water connection	Metal hose with union nut G3/8", L = 59"
Drain hose	Dia = 0.62", L = 78.7"

Utility and Grounds Chute Openings

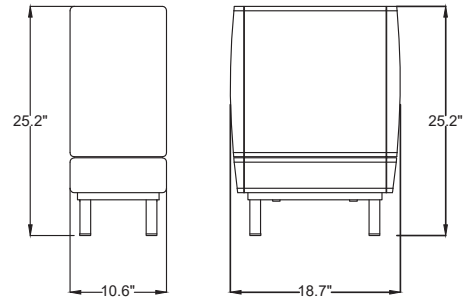


*Clearance applies when milk and flavor systems are mounted under the counter.

Add-on units

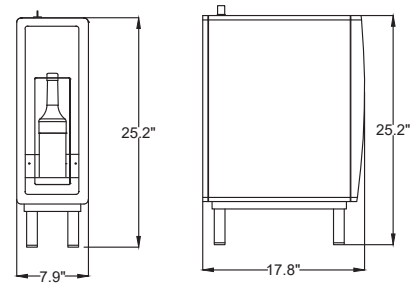
1 Refrigeration unit

Electrical connection	SU05 CM (5 l) (1 Gallon Milk) 120V (15A)
Dimensions	10.6"W x 25.2"H x 18.7"D
Weight (empty)	Approx. 53 lbs
Compatible with	A600 FM CM
Color	Black




2 Flavor station

Electrical connection	FS3 120V (15A)
Dimensions	7.9"W x 29.2"H x 17.8"D
Weight (empty)	Approx. 40 lbs
Compatible with	A600 FM CM
Color	Black



Digital services connectivity requirements

OPTION 1		OPTION 2 Additional costs may apply	OPTION 3 Limitations may apply
Ethernet/LAN <i>Recommended Option</i>	Connectivity Requirements Ethernet/LAN	Franke Connection KIT Cellular/ WiFi (Modem)	3rd Party Cellular Modem/ WiFi
Internet connection provided to machine over LAN/Ethernet Cable 	MQTT	Port 8883	Mobile: Cellular or WiFi connection Customer provides modem
	NTP	Port 123	
	HTTPS	Port 443	
	MQTT Websockets	Port 443/ Port 444	
		Mobile: Private APN (Roaming partner) 4G 2 x LAN ports to connect Modem connects up to 2 machines Wifi capability upon request	

Customer is responsible for all connectivity.



ELT LISTED CONFORMS TO
UL STD 197 CERTIFIED TO
CSA STD C22.2
NO 1093 | 123505



CONFORMS TO
NSF-STD 4

All you need for perfect coffee.



Franke Digital Services
A clear view of commercial
and operational performance.

1 A600 Features

- First shot
- Second bean grinder
- Bean hopper: 2 x 2.6 lbs, lockable
- One powder dosing system (chocolate or chai powder), lockable
- Cup sensor

Optional Features:

- Second powder dosing system (chocolate or chai powder), lockable
- Coffee grounds chute

2 Milk and Cleaning Systems

- FoamMaster™ (FM): hot and cold milk and milk foam, individually adjustable consistency, integrated cleaning system
- CleanMaster (CM): fully automatic cleaning system with integrated cleaning cartridge and integrated cleaning tank
- CM provides outstanding hygiene and unbeatable simplicity, efficiency and convenience

Special Order:

- Milk system (MS): hot and cold milk and warm milk foam, exact dosing via milk pump
- EasyClean (EC): automatic cleaning system with manual addition of the cleaning fluid. Perfect hygiene in just a few steps

3 Flavor Station

- Automatic dosing station for up to three flavors

Flexibility

Our product portfolio allows various assembly options — tailored to your needs.



Franke Kaffeemaschinen AG
cs-info.ch@franke.com

Franke Coffee Systems GmbH
cs-info.de@franke.com

Franke Coffee Systems Americas
cs-coffeesales.us@franke.com

Franke Coffee Systems UK
sales@frankecoffeesystems.co.uk

us.coffee.franke.com