



# DHIPFD20/15R-T12L4

Flame Detection IP Camera



## Key Features:

- Uncooled VOx thermal sensor technology
- Flame detection with adjustable and high sensitivity
- 2MP 1/2.7" CMOS image sensor, low luminance, and high definition image
- Built-in IR light; the max. IR LEDs Length is 15 m (49.21 ft)
- Support GB/T 28182 and ONVIF, convenient for integration
- WDR, 3D NR, applicable to various monitoring scenes
- Support tracking flame position
- Flame detection with adjustable sensitivity
- LED Indicator and Siren with remote intercom.
- Built-in 1/1 alarm in/out, flexible alarm linkage
- IP66 waterproof
- Built-in Siren
- 12V DC/PoE



## SPECIFICATIONS

<b>Model No.</b>	DHIPFD20/15R-T12L4
<b>Thermal Lens</b>	
<b>Detector Type</b>	Vanadium oxide uncooled focal plane detector
<b>Effective Pixels</b>	120 (H) × 90 (V)
<b>Pixel Pitch</b>	17 μm
<b>Spectral Range</b>	8 μm–14 μm
<b>Sensitivity (NETD)</b>	< 60mK@f/1.0
<b>Focal Length</b>	1.2 mm
<b>Field of View</b>	Horizontal: 90°; Vertical: 67.5°

(continued)

(continued)

<b>Thermal Focus Control</b>	Fixed-focal
<b>Field of Depth</b>	> 3 cm
<b>Aperture</b>	F1.1
<b>Flame Detection Distance</b>	10m <sup>2</sup> : 10m x 10m

#### Visible Lens

<b>Image Sensor</b>	1/2.7" CMOS
<b>Max. Resolution</b>	1920 (H) × 1080 (V)
<b>Pixel</b>	2 MP
<b>Min. Illumination</b>	Colour: 0.05 lux; B/W: 0.005 lux; 0 lux (IR on)
<b>Visible AGC</b>	Auto; Manual
<b>Visible Noise Reduction</b>	2D NR; 3D NR
<b>S/N Ratio</b>	≥ 55 dB
<b>Electronic Shutter Speed</b>	1 s–1/30,000 s (manual/auto)
<b>BLC</b>	Yes
<b>WDR</b>	DWDR
<b>HLC</b>	Yes
<b>Day/Night</b>	Auto (ICR); Colour and B/W
<b>Iris Control</b>	Fixed
<b>Image Flip</b>	90°; 180°; 270°
<b>Exposure Compensation</b>	Yes
<b>Visible Focus Control</b>	Fixed-focal
<b>Focal Length</b>	4 mm
<b>Field of View</b>	H: 86°; V: 46°; D: 101°
<b>Close Focus Distance</b>	1 m (3.28 ft)
<b>Aperture</b>	F1.6
<b>Illuminator</b>	IR
<b>Illuminator On/Off Control</b>	Auto; Manual
<b>Illumination Distance</b>	15m (49.21ft)
<b>Illuminator Angle</b>	100°

#### Audio and Video

<b>Video Compression</b>	H.265; H.264; H.264H; H.264B; MJPEG
--------------------------	-------------------------------------

(continued)

<b>Resolution</b>	Visible: Main stream: 1080p (1920 × 1080); 720p (1280 × 720); D1 (704 × 576); 1920×1080 by default Sub stream: 720p (1280 × 720); D1 (704 × 576); CIF (352 × 288); 352 × 288 by default
<b>Video Frame Rate</b>	Visible: Main stream: 1 fps–25 fps adjustable, 25 fps by default Sub stream: 1 fps–25 fps adjustable, 15 fps by default
<b>Audio Compression</b>	G.711a; G.711mu; AAC; PCM
<b>Image Encoding Format</b>	JPEG
<b>Function</b>	
<b>Two-way Audio</b>	Yes
<b>Visible and Audible Alarm</b>	Yes
<b>Network Protocol</b>	HTTPS; HTTP; TCP; ARP; RTSP; RTP; UDP; RTCP; SMTP; FTP; DHCP; DNS; DDNS; PPPOE; IPv4/v6; SNMP; QoS; UPnP; NTP
<b>Interoperability</b>	ONVIF; GB/T28181; CGI;
<b>Browser</b>	IE: IE 9 and later (Edge is not supported) Chrome: 42 and earlier Firefox: 42 and earlier
<b>User/Host</b>	Up to 10 (total bandwidth: 100 MB)
<b>Security</b>	Authorized username and password; attached MAC address; encrypted HTTPS; IEEE 802.1x; controlled network access
<b>Intelligence</b>	
<b>Flame Detection</b>	Yes
<b>Cold / Hot Spot Trace</b>	N/A
<b>Port</b>	
<b>Network Port</b>	1 × RJ-45 (10/100 Base-T)
<b>Alarm Input</b>	1 channel
<b>Alarm Output</b>	1 channel
<b>Alarm Linkage</b>	Relay output/ Email / Snapshot
<b>Alarm Event</b>	Local audible and visual alarm notification

## Power

**Power Supply** 12 VDC  $\pm$  20%; PoE

**Power Consumption** Basic: 4.5 W (12 VDC, LED off)  
Max.: 10.1 W (12 VDC, LED on, heat on)

## Environment

**Operating Temperature**  $-20^{\circ}\text{C}$  to  $+60^{\circ}\text{C}$  ( $-4^{\circ}\text{F}$  to  $+140^{\circ}\text{F}$ )

**Operating Humidity**  $\leq 95\%$

**Storage Temperature**  $-20^{\circ}\text{C}$  to  $+70^{\circ}\text{C}$  ( $-4^{\circ}\text{F}$  to  $+158^{\circ}\text{F}$ )

## Construction

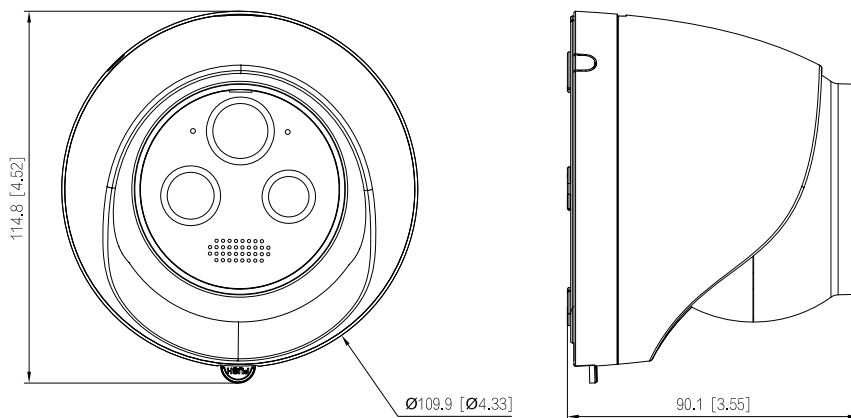
**Protection** IP66, anti-surge 2 kV; anti-electrostatic 6 kV ; anti-elctrostatic 8 kV

**Product Dimensions**  $\phi 110\text{mm} \times 88.6\text{mm}$  ( $\phi 4.33" \times 3.49"$ )

**Net Weight**  $\leq 0.85$  kg (1.87 lb)

**Gross Weight**  $\leq 1$  kg (2.20 lb)

**Installation** Ceiling/Pole/Wall mount



## Accessories



BASE11-W



WALLBRACKET05-W



POLEBRACKET01