



DHIPD80/28RW/30-M-E

8 MEGAPIXEL IP TURRET CAMERA



Key Features:

- 8 Megapixel progressive scan CMOS
- H.265 & H.264 dual-stream encoding
- 8M@15fps(3840×2160)
- Microphone Built-in (Directional)
- 2.8mm fixed lens
- Max. IR LEDs Length 30m
- IP67 waterproof
- DC 12V / POE



SPECIFICATIONS

Model Number	DHIPD80/28RW/30-M-E
Image Sensor	1/2.7" CMOS
Max. Resolution	3840 (H) × 2160 (V)
ROM	16 MB
RAM	256 MB
Scanning System	Progressive
Electronic Shutter Speed	Auto/Manual 1/3 s–1/100,000 s
Min. Illumination	0.04 Lux@F2.0 (Color, 30 IRE) 0.004 Lux@F2.0 (B/W, 30 IRE) 0 Lux (Illuminator on)

(continued)

S/N Ratio	> 56 dB
Illumination Distance	30 m (98.43 ft) (IR)
Illuminator On/Off Control	Auto/Manual
Illuminator Number	1 (IR LED)
Pan/Tilt/Rotation Range	Pan: 0°–360° / Tilt: 0°–78° / Rotation: 0°–360°

Lens

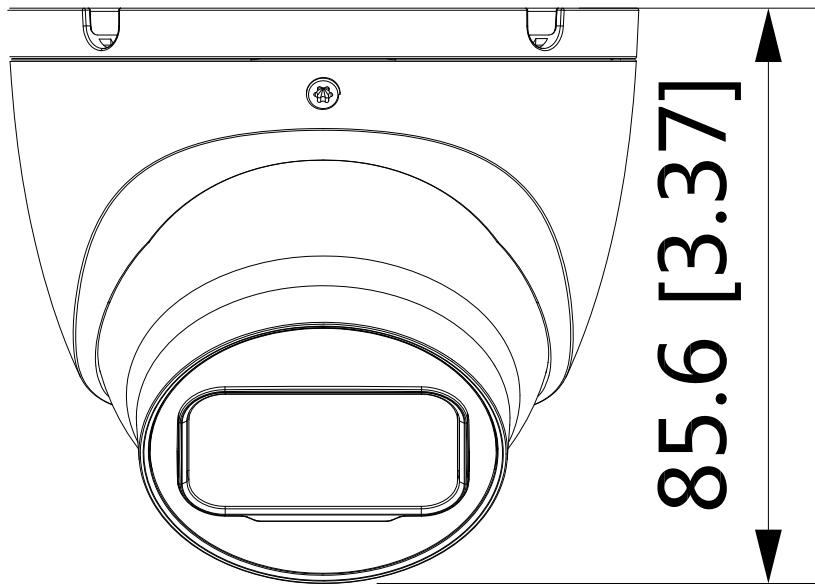
Lens Type	Fixed-focal				
Lens Mount	M12				
Focal Length	2.8 mm				
Max. Aperture	F2.0				
Field of View	Horizontal: 105°; Vertical: 56°; Diagonal: 125°				
Iris Control	Fixed				
Close Focus Distance	1.0 m (3.28 ft)				
DORI Distance	Lens	Detect	Observe	Recognize	Identify
	2.8 mm	74.7m	29.9 m	14.9 m	7.5 m

Video

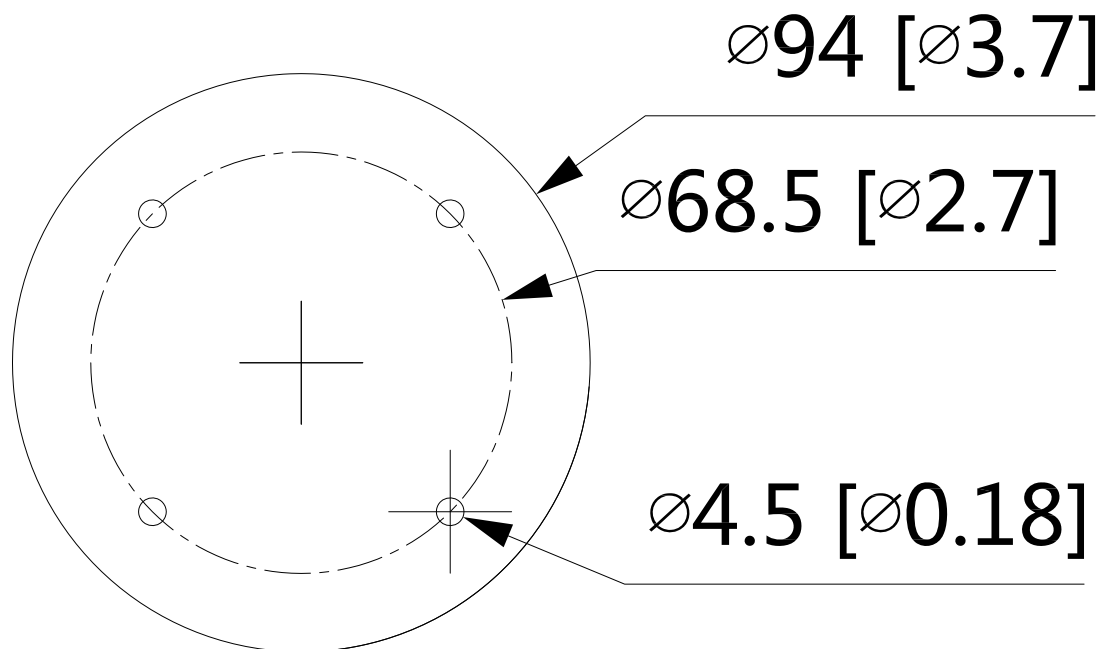
Video Compression	H.265; H.264; H.264B; MJPEG (only supported by the sub stream)
Smart Codec	Smart H.265+; Smart H.264+
Video Frame Rate	Main stream: 3840 × 2160 (1 fps–15 fps), 2688 × 1520 (1 fps–25/30 fps) Sub stream: 704 × 576 (1 fps–25 fps), 704 × 480 (1 fps–30 fps) *The values above are the max. frame rates of each stream; for multiple streams, the values will be subjected to the total encoding capacity.
Stream Capability	2 streams
Resolution	3840 × 2160 (3840 × 2160); 3072 × 2048 (3072 × 2048); 3072 × 1728 (3072 × 1728); 2592 × 1944 (2592 × 1944); 2688 × 1520 (2688 × 1520); 3M (2048 × 1536); 2304 × 1296 (2304 × 1296); 1080p (1920 × 1080); 1.3M (1280 × 960); 720p (1280 × 720); D1 (704 × 576/704 × 480); VGA (640 × 480); CIF (352 × 288/352 × 240)

Bit Rate Control	CBR/VBR
Video Bit Rate	H.264: 32 kbps–6144 kbps H.265: 12 kbps–6144 kbps
Day/Night	Auto (ICR)/Color/B/W
BLC	Yes
HLC	Yes
WDR	DWDR
White Balance	Auto; natural; street lamp; outdoor; manual; regional custom
Gain Control	Auto; manual
Noise Reduction	3D NR
Motion Detection	OFF/ON (4 areas, rectangular)
Region of Interest (RoI)	Yes (4 areas)
Smart Illumination	Yes
Image Rotation	0°/90°/180°/270° (Support 90°/270° with 2688 × 1520 resolution & lower)
Mirror	Yes
Privacy Masking	4 areas
Audio	
Built-in MIC	Yes
Audio Compression	G.711a; G.711Mu; G.726; PCM
Alarm	
Alarm Event	Network disconnection; IP conflict; illegal access; motion detection; video tampering; audio detection; security exception
Network	
Network Port	RJ-45 (10/100 Base-T)
SDK and API	Yes
Cyber Security	Video encryption; configuration encryption; Digest; WSSE; account lockout; security logs; generation and importing of X.509 certification; HTTPS; trusted boot; trusted execution; trusted upgrade.
Network Protocol	IPv4; IPv6; HTTP; TCP; UDP; ARP; RTP; RTSP; SMTP; FTP; DHCP; DNS; DDNS; NTP; Multicast

Interoperability	ONVIF (Profile S/Profile T); CGI; P2P; Genetec; Milestone
User/Host	6 (Total bandwidth: 48 M)
Storage	FTP
Browser	IE, Chrome, Firefox
Management Software	DMSS
Mobile Client	iPhone, iPad & Android
Certification	
Certifications	CE-LVD: EN62368-1, CE-EMC: Electromagnetic Compatibility Directive 2014/30/EU, FCC: 47 CFR FCC Part 15, Subpart B
Power	
Power Supply	12V DC/PoE (802.3af)
Power Consumption	Basic: 2.3 W (12V DC); 3.1 W (PoE) Max. (ICR + H.265 + max. resolution + main stream + DWDR + IR intensity): 4.6 W (12V DC); 5.6 W (PoE)
Environment	
Operating Temperature	-40 °C to +55 °C (-40 °F to 131 °F)
Operating Humidity	≤ 95%
Storage Temperature	-40 °C to +55 °C (-40 °F to 131 °F)
Protection	IP67
Structure	
Casing	Metal
Product Dimensions	85.6 mm × Φ94.0 mm (3.4" × Φ3.7")
Net Weight	0.32 kg (0.71 lb)
Gross Weight	0.43 kg (0.95 lb)



mm[inch]



∅94 [∅3.7]

∅68.5 [∅2.7]

∅4.5 [∅0.18]