

SPRO B6[®]



DHDVR32-B6

32 Channels Penta-brid 4K-N/5MP 1U 2HDDs Digital Video Recorder



Key Features:

- H.265+ / H.265 dual-stream video compression.
- Supports 32-channel AI-Coding.
- Supports HDCVI/AHD/TVI/CVBS/IP video inputs.
- Max 32 channels IP camera inputs, each channel up to 8MP; Max 128 Mbps incoming bandwidth.
- Up to 12 channels video stream (analog channel) perimeter protection.
- Up to 32 channels video stream (analog channel) SMD plus.
- Up to 6 channels video stream (analog channel) human face recognition.
- IoT & POS functionalities

SPECIFICATIONS

Model Number	DHDVR32-B6
Main Processor	Industrial-grade processor
Operating System	Embedded LINUX
Operating Interface	Web; Local GUI

(continued)

Perimeter Protection

Performance

Advanced Model: 6 channels, 10 IVS for each channel

General Model: 12 channels, 10 IVS for each channel

Face Detection

Face Attributes

Gender; age group; glasses; expressions; face mask; beard

Face Detection Performance of

6 channels (up to 12 face image/s each channel)

AI by Recorder

Face Recognition

Face Database Capacity

Up to 10 face databases with 20 000 face images in total. Name, gender, birthday, address, certificate type, certificate No., countries & regions and state can be added to each face image.

Face Recognition Performance of

6 channels

AI by Recorder

SMD Plus

SMD Plus by Recorder

32 channels: Secondary filtering for human and motor vehicle, reducing false alarms caused by leaves, rain and lighting condition change.

Audio and Video

Analog Camera Input

32 BNC ports, supports HDCVI/AHD/TVI/CVBS auto-detect

Camera Input

1. CVI: 4K@25/30 fps; 6 MP@20 fps; 5 MP@25 fps; 4 MP@25/30 fps; 1080p@25/30 fps; 720p@25/30 fps; 720p@50/60 fps.

2. TVI: 4K@15 fps; 5 MP@20 fps; 4 MP@25/30 fps; 3 MP@25/30 fps; 1080p@25/30 fps; 720p@25/30 fps.

3. AHD: 4K@15 fps; 5 MP@20 fps; 4 MP@25/30 fps; 3 MP@25/30 fps; 1080p@25/30 fps; 720p@25/30 fps.

IP Camera Input

Up to 32 channels of IPC access

32 channels (analog channels are converted to IP channels)
incoming bandwidth: 128 Mbps, recording bandwidth: 128 Mbps
and outgoing bandwidth: 128 Mbps

Encoding Capacity	Main stream: 4K@(1fps-7fps); 6 MP@(1fps-10fps); 5 MP@(1fps-12fps); 4K-N, 4 MP, 3 MP@(1fps-15fps); 4M-N, 1080p, 720p, 960H, D1,CIF@ (1fps-25/30fps); Sub stream: 960H@(1fps-15fps); D1/CIF@ (1 fps-25/30fps)
Dual-stream	Yes
Video Bit Rate	32kbps-6144kbps
Audio Sampling	8kHz, 16 bit
Audio Bit Rate	64kbps
Video Output	1 HDMI, 1 VGA HDMI: 3840 × 2160, 1920 × 1080, 1280 × 1024, 1280 × 720 VGA: 1920 × 1080, 1280 × 1024, 1280 × 720 *Simultaneous/heterogeneous video sources output for VGA and HDMI is configurable.
Multi-screen Display	1/4/8/9/16/25/36
Third-party Camera Access	ONVIF; Panasonic; Sony; Axis; Arecont; Samsung
Compression Standard	
Video Compression	AI Coding; Smart H.265+; H.265; Smart H.264+; H.264
Audio Compression	G.711a; G.711u; PCM
Network	
Network Protocol	HTTP; HTTPS; TCP/IP; IPv4; RTSP; UDP; SMTP; NTP; DHCP; DNS; DDNS; P2P
Mobile Phone Access	IOS; Android
Interoperability	ONVIF 21.12; CGI
Browser	Chrome, IE9 or later, Firefox
Network Mode	Single-address mode
Recording Playback	
Record Mode	General, motion detection; intelligent; alarm; POS
Recording Playback	1/4/9/16
Backup Method	USB device and network
Playback Mode	Instant playback, general playback, event playback, tag playback, smart playback (face and motion detection)

Storage	
Disk Group	Yes
Alarm	
General Alarm	Motion detection; video loss; tampering; local alarm
Anomaly Alarm	No disk; storage error; disk full; camera offline; IP conflict; MAC conflict
Intelligent Alarm	Face Detection; face recognition; perimeter protection
Alarm Linkage	Record; snapshot (panoramic); IPC external alarm output; access controller; voice prompt; buzzer; log; preset; email
Ports	
TV Output	1 channel
Audio Input	1-channel RCA 32-channel BNC (Coaxial Audio)
Audio Output	1-channel RCA
Two-way Talk	Yes (share the same audio input with the first channel)
HDD Interface	2 SATA ports, up to 16TB capacity for each disk. The maximum HDD capacity varies with environment temperature.
RS-485	1 port, for PTZ control
USB	2 (1 front USB 2.0 port, 1 rear USB 3.0 port)
HDMI	1
VGA	1
Network Port	1 (10/100/1000 Mbps Ethernet port, RJ-45)
General	
Power Supply	DV12V, 5A
Power Consumption	<32W (without HDD)
Net Weight	2.50kg (5.52lb)
Gross Weight	4.10kg (9.04lb)
Product Dimensions	375.0 mm × 334.4 mm × 53.0 mm (14.76"×13.17"×2.09") (W×D× H)
Packaging Dimensions	449.0 mm × 170.0 mm × 421.0 mm (17.68"×6.70"×16.58") (W×D×H)
Operating Temperature	-10 °C to +55 °C (14 °F to +131 °F)
Operating Humidity	10%–90% (RH)
Installation	Rack or Desktop

Certifications

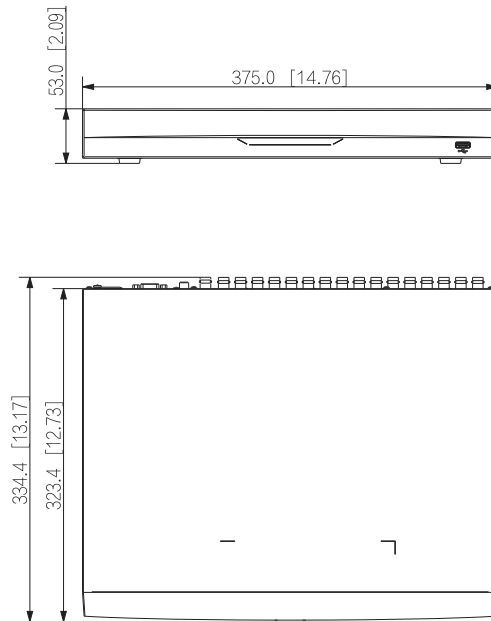
Certifications

CE: CE-LVD: EN 60950-1/IEC 60950-1

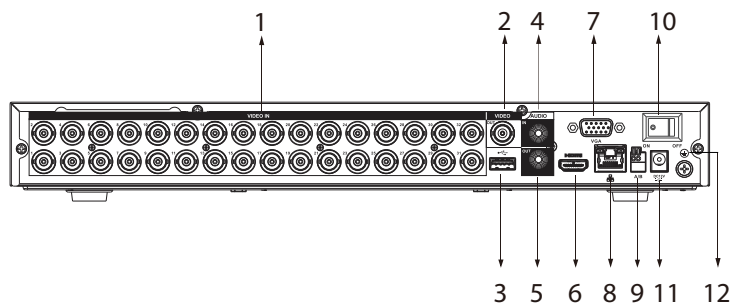
CE-EMC: EN 61000-3-2, EN 61000-3-3, EN 55032, EN 50130, EN 55024

FCC: Part 15 Subpart B

Dimensions (mm[inch])



Panels



- | | |
|----------------------------|---------------------------|
| 1 VIDEO IN | 2 VIDEO OUT |
| 3 USB Port | 4 AUDIO IN, RCA Connector |
| 5 AUDIO OUT, RCA Connector | 6 HDMI Port |
| 7 VGA Port | 8 Network Port |
| 9 RS-485 Port | 10 Power Switch |
| 11 Power Input | 12 Ground |