

SPRO®

HVD80/28RG/60M-4

8 Megapixel HDCVI IR Turret Camera



8 MEGAPIXEL



2.8 MM



60m IR



IP67



Key Features:

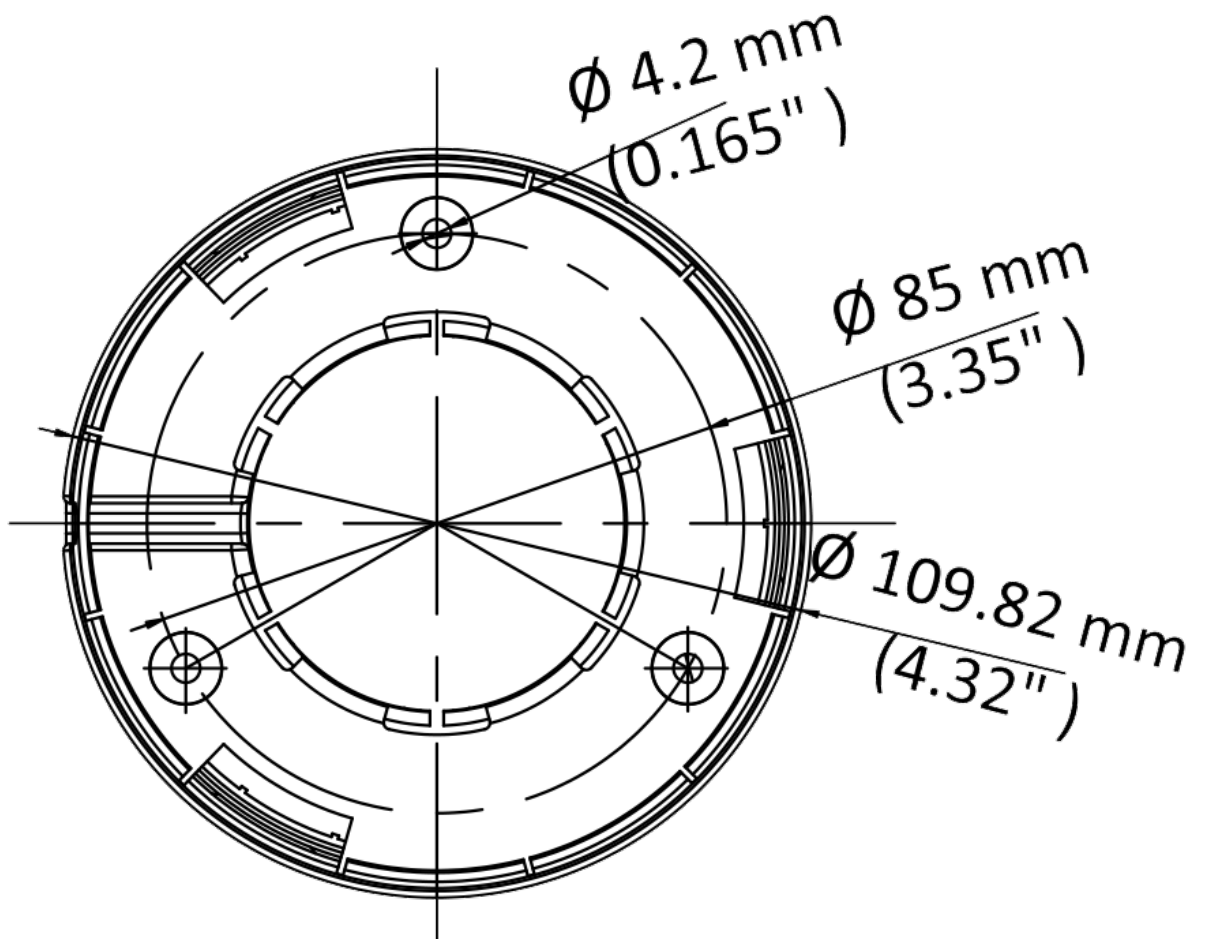
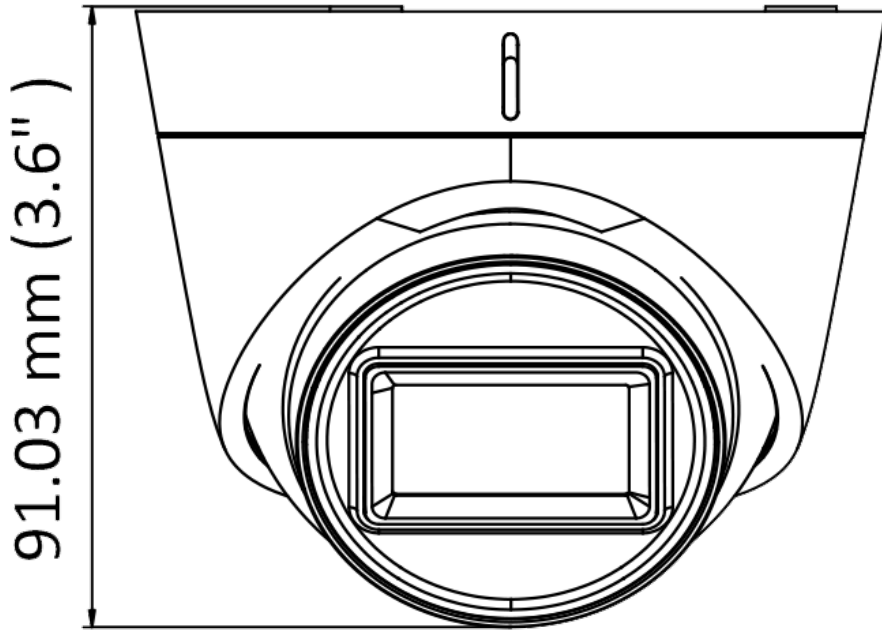
- 8.29 Megapixel high-performance CMOS
- 3840 × 2160 resolution
- 2.8mm fixed lens
- 4 in 1 video output (TVI/AHD/CVI/CVBS)
- EXIR 2.0, smart IR, up to 60m IR distance
- IP67 waterproof
- DC 12V

SPECIFICATIONS

Model Number	HVD80/28RG/60M-4
Image Sensor	8.29 MP high performance CMOS
Signal System	PAL/NTSC
Effective Pixels	3840 (H) × 2160 (V)
Min. Illumination	0.01 Lux@(F1.2, AGC ON), 0 Lux with IR
Shutter Time	PAL: 1/12.5 s to 1/50,000 s NTSC: 1/15 s to 1/50,000 s
Lens	2.8 mm fixed lens
Lens Mount	M16
Adjustment Range	Pan: 0° to 360°, Tilt:0° to 75, Rotate: 0° to 360°
Day& Night	IR cut filter

(continued)

Video Frame Rate	TVI: 8MP@12.5fps, 8MP@15fps, 5MP@20fps, 4MP@25fps, 4MP@30fps, 2MP@25fps,2MP@30fps;CVI: 8MP@12.5fps, 8MP@15fps; AHD: 5MP@20fps;CVBS: 960H P/N
Synchronization	Internal Synchronization
Lens	
Horizontal Field of View	102.2°
Menu	
D/N Mode	Auto/Color/BW (Black and White)
BLC	Support
AGC	Support
Language	English
Function	Brightness, Sharpness, DNR, Mirror, Smart IR
Interface	
Video Out	1 HD analog output
General	
Material	Enclosure: Plastic Main body: Metal
Operating Conditions	-40 °C - 60 °C (-40 °F - 140 °F) Humidity 90% or less (non-condensing)
Power Supply	12 VDC ±25% *You are recommended to use one power adapter to supply the power for one camera.
Power Consumption	Max. 5.3 W
IR Range	Up to 60m
Communication	Up the coax Protocol: Pelco-C(CVBS output), HIKVISION-C(TVI output)
Dimension	Ø 109.82 mm × 91.03 mm (Ø 4.32" × 3.6")
Weight	Approx. 320 g (0.71 lb.)



CCTVOUTLET

All specifications are subject to change without notice. Copyright © RealTime Ltd. All rights reserved