

SPRO®

COLOUR NIGHT

DHQ50/36LW/40M-4

5MP ColourNight Bullet Camera



5 MEGAPIXEL



3.6MM



40m IR



IP67

STARLIGHT

Key Features:

- 5 megapixel
- 3.6mm Lens
- Up to 40m LED distance (smart LED)
- Full colour at night
- 4 in 1 (CVI/TVI/AHD/CVBS)
- IP67 waterproof
- DC 12V



SPECIFICATIONS

Model Number	DHQ50/36LW/40M-4
Image Sensor	1/2.7 inch CMOS
Effective Pixels	2592 (H) × 1944 (V), 5MP
Electronic Shutter Speed	PAL:1/25s-1/100000s
S/N Ratio	>65dB
Minimum Illumination	0.005Lux/F1.2, 0Lux White Light on
Fill Light (White Light) Distance	Distance up to 40m
Fill Light On/Off Control	Auto; Manual
Fill Light Number	2
Pan/Tilt/Rotation Range	Pan: 0°-360° ; Tilt: 0°-180° ; Rotation: 0°-360°

(continued)

Lens

Lens Type	Fixed
Mount Type	M12
Focal Length	3.6m
Max. Aperture	F1.2
Angle of View	111° × 83° × 56° (diagonal × horizontal × vertical)
Iris Type	Fixed iris
Close Focus Distance	2.1 m
DORI Distance	Detect: 80.0m Observe: 32.0m Recognize: 16.0m Identify: 8.0m

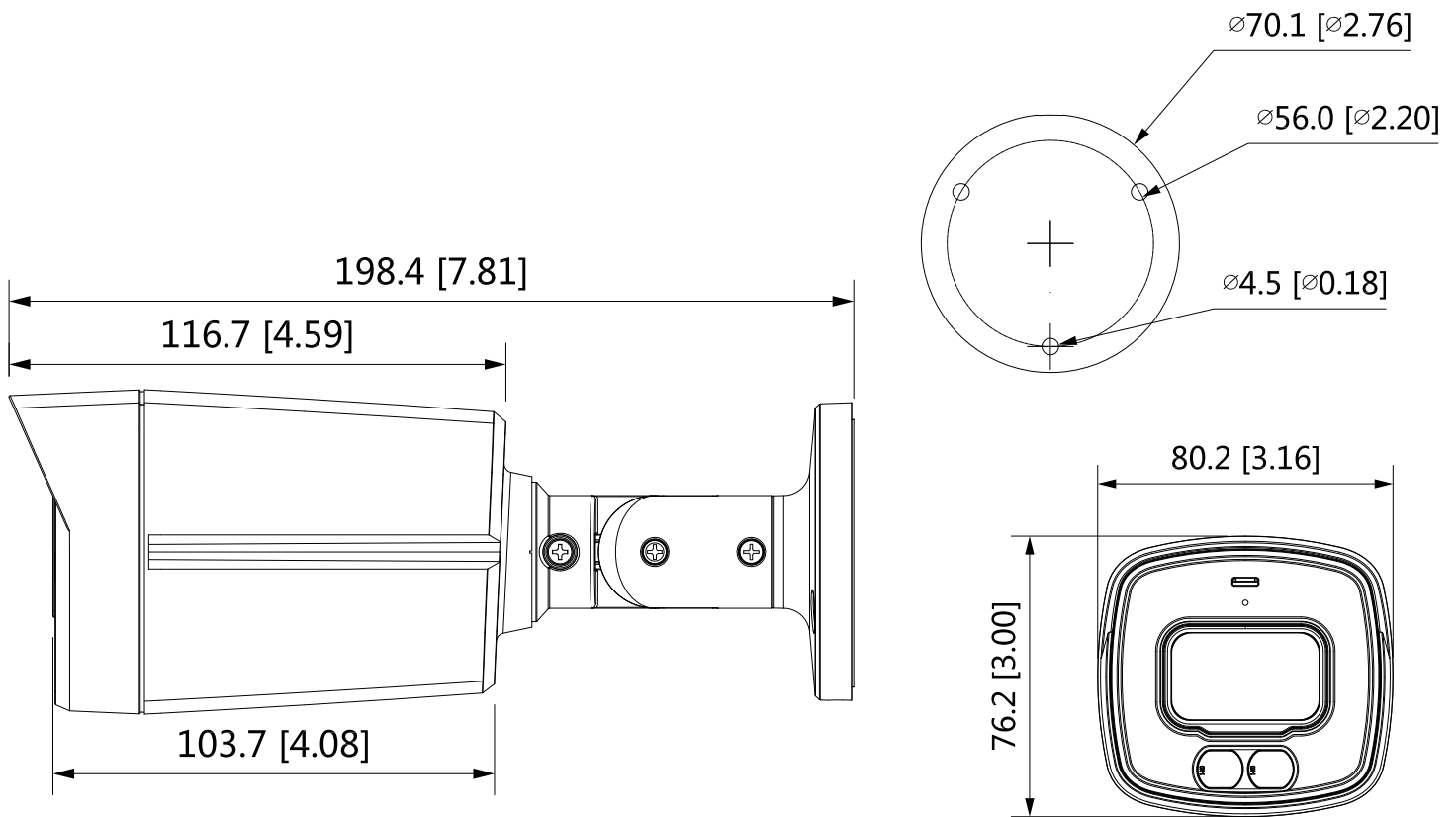
Video

Video Frame Rate	CVI: PAL: 5M@20fps, 4M@25fps, 1080P@25fps; AHD: PAL: 5M@20fps, 4M@25fps; TVI: PAL: 5M@20fps, 4M@25fps; CVBS: PAL: 960H
Resolution	5M (2592 × 1944); 4M (2560 × 1440); 1080P (1920 × 1080); 960H (704 × 576/704 × 480)
BLC	BLC/HLC/WDR
WDR	DWDR
White Balance	Auto; Manual
Gain Control	Auto; Manual
Noise Reduction	2D NR
Smart Light	Yes
Mirror	Off/On
Privacy Masking	Off/On (8 area, rectangle)

Certification

Certifications	CE (EN55032, EN55024, EN50130-4, EN60950-1) FCC (CFR 47 FCC Part 15 subpartB, ANSI C63.4-2014) UL (UL60950-1+CAN/CSA C22.2 No.60950-1)
-----------------------	--

Interface	
Audio Interface	N/A
Port	
Video Port	Video output choices of CVI/TVI/AHD/CVBS by one BNC port
General	
Power Supply	12V \pm 30% DC
Power Consumption	Max 5.0W (12V DC, white light on)
Operating Temperature	-40°C to +60°C (-40°F to 140°F) ; <95% (non-condensation)
Storage Temperature	-40°C to +60°C (-40°F to 140°F) ; <95% (non-condensation)
Protection Grade	IP67
Casing	Metal front cover + plastic main body
Dimensions	198.4 mm \times 80.2 mm \times 76.2 mm
Net Weight	0.29 Kg
Gross Weight	0.44 Kg



All specifications are subject to change without notice. Copyright © RealTime Ltd. All rights reserved