

SPRO®

DHD80/28RW/50M-4-M

4K Starlight 4IN1 IR Eyeball Camera



8 MEGAPIXEL



2.8 MM



50m IR



MICROPHONE



IP66



STARLIGHT

Key Features:

- 8MP(4K) @ 15fps
- 2.8mm fixed Lens
- Up to 50m IR distance (Smart IR)
- Star light technology built-in
- Microphone Built-in (Directional)
- 4 in 1 video output (TVI/AHD/CVI/CVBS)
- IP66 waterproof
- DC 12V



SPECIFICATIONS

Model Number	DHD80/28RW/50M-4-M
Image Sensor	1/2" CMOS
Effective Pixels	3840(H)×2160(V), 8MP
Scanning System	Progressive
Electronic Shutter Speed	1/4s~1/100000s
Min. Illumination	0.005Lux/F1.6, 30IRE, 0Lux IR on
S/N Ratio	More than 65dB
Max. IR LEDs Length	Up to 50m
IR On/Off Control	Auto/ Manual
IR LEDs	2

(continued)

Lens

Lens Type	Fixed lens
Mount Type	Board-in
Focal Length	2.8mm
Max Aperture	F1.6
Angle of View	H: 87°
Focus Control	N/A
Close Focus Distance	2500mm

Pan/Tilt/Rotation

Pan/Tilt/Rotation Range	Pan:0°~360° / Tilt: 0° ~ 70° / Rotation: 0° ~ 360°
--------------------------------	--

Video

Resolution	4K (3840 × 2160); 5M (2592 × 1944); 4M (2560 × 1440); 960H (960 × 576/960 × 480)
Frame Rate	CVI: 4K@25/30fps; 4K@15fps; 5M@20fps; 4M@25fps/30fps; AHD: 4K@15fps; TVI: 4K@15fps; CVBS: 960H
Day/Night	Auto (ICR) / Manual
OSD Menu	Multi-language
BLC Mode	BLC / HLC / WDR
WDR	120dB
Gain Control	AGC
Noise Reduction	2D/3D
White Balance	Auto / Manual
Smart IR	Auto / Manual

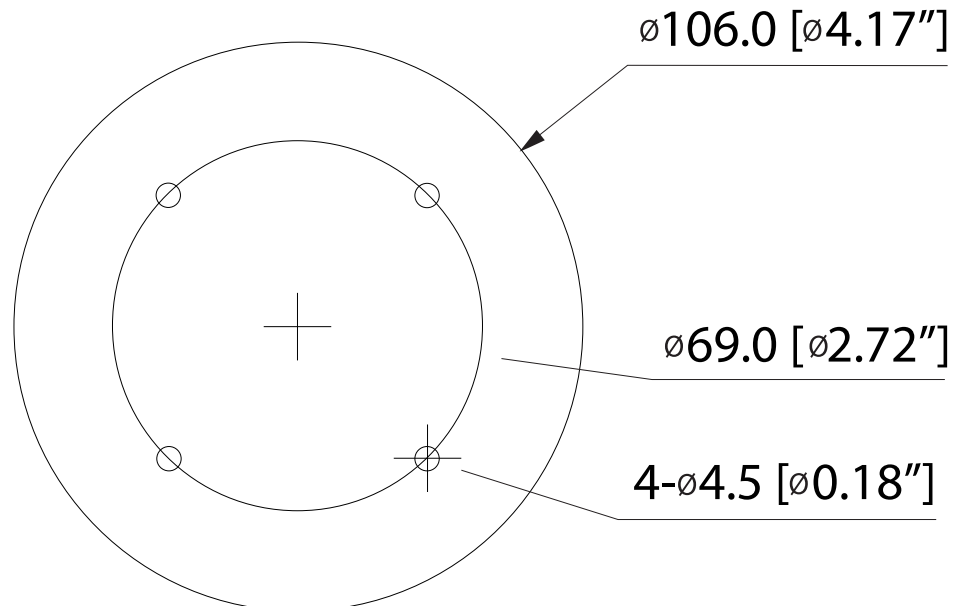
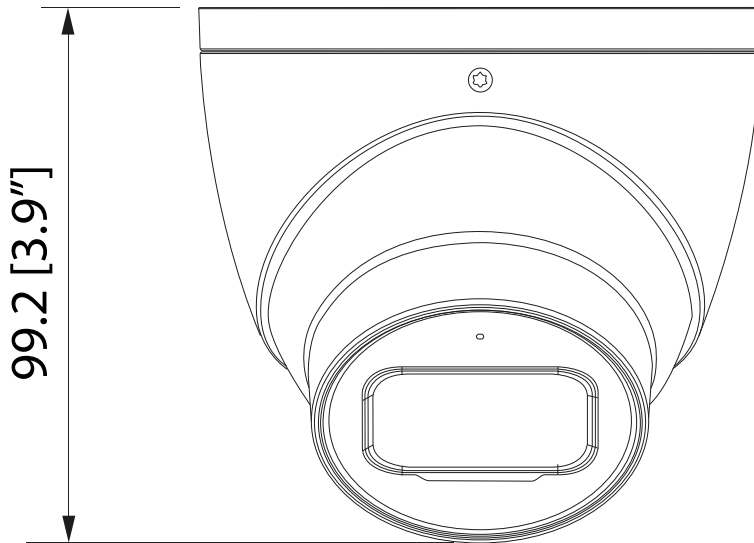
Interface

Audio Interface	1ch in & Built-in Mic (Directional)
------------------------	-------------------------------------

General

Power Supply	12V DC ±30%
Power Consumption	Max 8W (12V DC, IR on)
Operating Conditions	-30°C ~ +60°C / Less than 90% RH
Storage Conditions	-30°C ~ +60°C / Less than 90% RH

Ingress Protection	IP66
Casing	Aluminium
Dimensions	Φ106mm×99.2mm (Φ4.17"×3.9")
Net Weight	0.5kg (1.10lb)
Gross Weight	0.62kg (1.37lb)



CCTVOUTLET

All specifications are subject to change without notice. Copyright © RealTime Ltd. All rights reserved