

SPRO®

DHD80/28RV-W-M

8MP VANDAL RESISTANT IR DOME CAMERA



8 MEGAPIXEL



2.8 MM



30m IR



IP66



STARLIGHT

Key Features:

- 8MP(4K) @ 15fps
- 2.8mm fixed Lens
- Up to 30m IR distance (Smart IR)
- Star light technology built-in
- IP66 waterproof
- IK10 vandal resistance
- DC 12V



SPECIFICATIONS

Model Number	DHD80/28RV-W-M
Image Sensor	1/2" CMOS
Effective Pixels	3840(H)×2160(V), 8MP
Scanning System	Progressive
Electronic Shutter Speed	1/4s~1/100000s
Min. Illumination	0.005Lux/F1.6, 30IRE, 0Lux IR on
S/N Ratio	More than 65dB
Max. IR LEDs Length	Up to 30m
IR On/Off Control	Auto/ Manual
IR LEDs	1

(continued)

Lens

Lens Type	Fixed lens
Mount Type	Board-in
Focal Length	2.8mm
Max Aperture	F1.6
Angle of View	H: 87°
Focus Control	N/A

Pan/Tilt/Rotation

Pan/Tilt/Rotation Range	Pan:0°~355° / Tilt: 0° ~ 75° / Rotation: 0° ~ 355°
--------------------------------	--

Video

Resolution	8MP (3840×2160)
Frame Rate	15fps@4K, 20fps@6MP, 25fps@4MP
Video Output	1-channel BNC high definition video output / CVBS video output
Day/Night	Auto (ICR) / Manual
OSD Menu	Multi-language
BLC Mode	BLC / HLC / WDR
WDR	120dB
Gain Control	AGC
Noise Reduction	2D/3D
White Balance	Auto / Manual
Smart IR	Auto / Manual

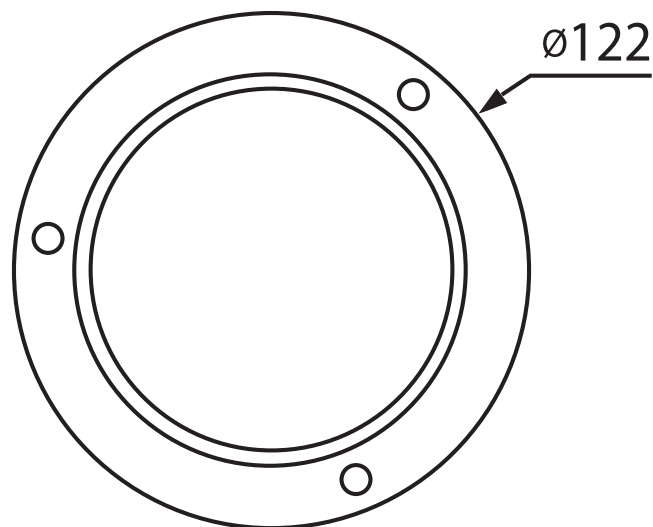
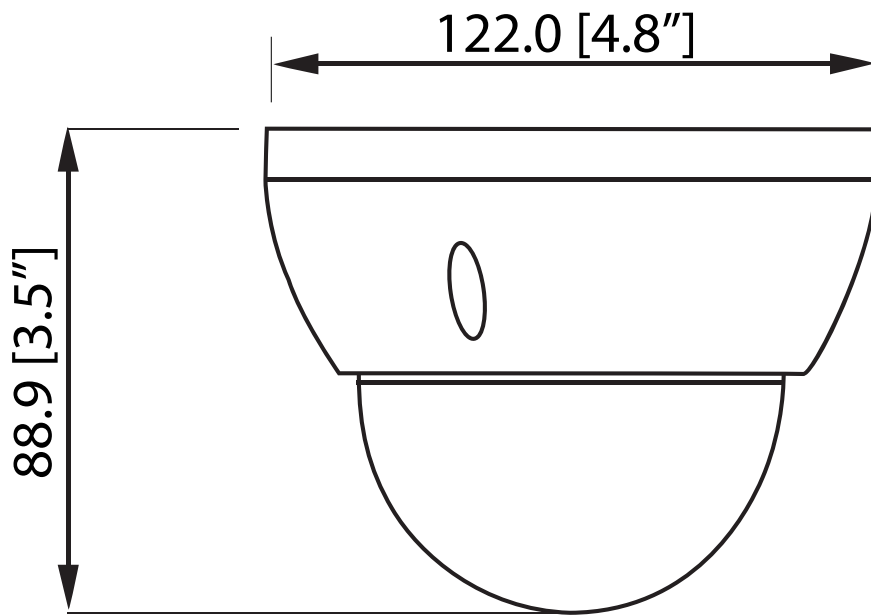
Interface

Audio Interface	N/A
------------------------	-----

General

Power Supply	12V DC ±30%
Power Consumption	Max 7W (12V DC, IR on)
Operating Conditions	-30°C ~ +60°C / Less than 90% RH
Storage Conditions	-30°C ~ +60°C / Less than 90% RH
Ingress Protection	IP66
Vandal Resistance	IK10

Casing	Aluminium
Dimensions	Φ122mm×88.9mm (Φ4.8"×3.5")
Net Weight	0.41kg (0.9lb)
Gross Weight	0.59kg (1.3lb)



CCTVOUTLET

All specifications are subject to change without notice. Copyright © RealTime Ltd. All rights reserved