

XF248

FROZEN BEVERAGE MACHINE

The XF248 is the premier two flavor frozen drink machine. With a simple, user-friendly design, the XF248 greatly reduces the complexities of being a machine operator. The XF248 runs consistently throughout the day, offering customers a refreshing product with every serving.

Features

- Self contained air cooled countertop model
- Illuminated backlit graphics
- Two flavors in compact footprint
- 115v, 20amp service
- Mix low indicator light prompts before machine runs empty
- Refrigerated hoppers maintain fresh product during slow sales periods & improve recovery time

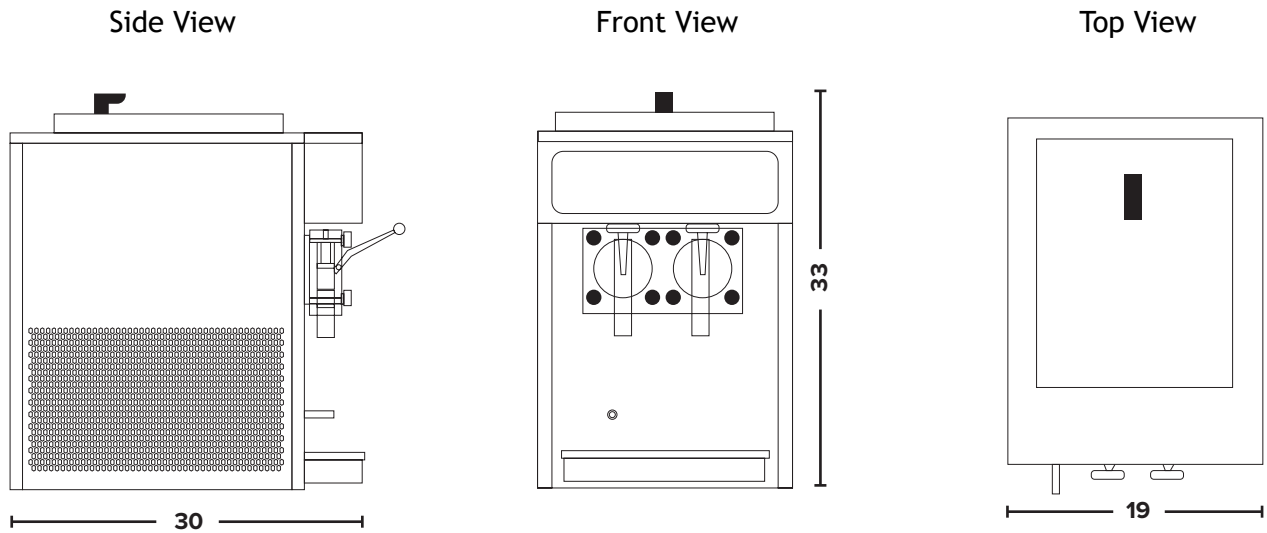


CE ISO 9001

DONPER USA

Donper USA
500 Stonegate Dr.
Katy, TX 77494

1-844-366-7371
sales@donperusa.com
www.donperusa.com



Measurements in inches.

Size and Capacity

Freezing Cylinders (each)	6.5 Qt (6.1 L)
Refrigerated Hoppers (each)	11 Qt (10.4 L)
Height	33 in (850mm)
Width	19 in (480 mm)
Depth	30 in (760 mm)
Weight	220 lbs (100 kg)

Electrical

Voltage	115 v
Phase	Single
Rated Input Power	16.5A
Main Compressor	1 HP (R404A)
Drive Motor	0.5 HP
Hertz	60 Hz
Plug type	NEMA L5-20P

Distributed By:
