



# XF224

## FROZEN BEVERAGE MACHINE

The XF224 is the premier machine for self-serve dessert concepts. With a simple, user-friendly design, the XF224 greatly reduces the complexities of being a machine operator. The XF224 runs consistently throughout the day, offering customers a refreshing product with every serving.

### Features

- Self contained air cooled countertop model
- Draw attention from illuminated backlit graphics
- Two flavor simultaneous capacity
- Serves various frozen smoothies, cappuccinos, lemonades, slushes, etc.
- Mix low indicator light prompts before machine runs empty
- Refrigerated hoppers maintain fresh product during slow sales periods



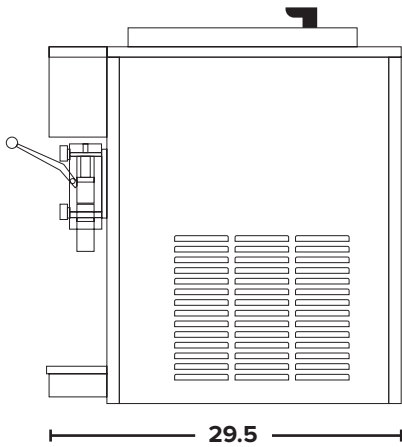
CE ISO 9001

# DONPER USA

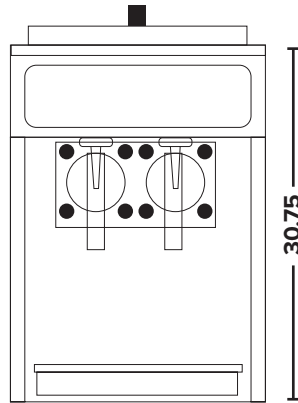
Donper USA  
24610 Kingsland Blvd  
Katy, TX 77494

1-844-366-7371  
sales@donperusa.com  
www.donperusa.com

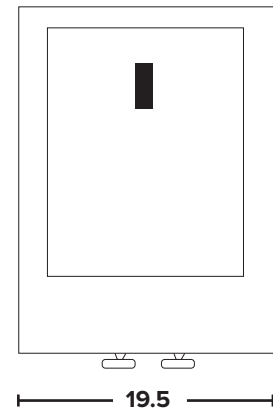
Side View



Front View



Top View



Measurements in inches.

## Size and Capacity

Freezing Cylinders (each)	3 Qt (2.8 L)
Refrigerated Hoppers (each)	8 Qt (7.6 L)
Appx. Hourly Production	20-28 Qt (18-28 L)
Height	30.75 in (781 mm)
Width	19.5 in (495 mm)
Depth	29.5 in (750 mm)
Weight	292 lbs (132 kg)

## Electrical

Voltage	120 v
Phase	Single
Rated Input Power	15.8A (1.9 kW)
Breaker Size	20A, Double Pole
Main Compressor	1 HP
Drive Motor	0.5 HP
Hertz	60 Hz
Plug type	NEMA 5-20R

## Distributed By:

---