



D800

SOFT SERVE MACHINE

The D800 is the premier machine for self-serve dessert concepts. With a simple, user-friendly design, the D800 greatly reduces the complexities of being a machine operator. The D800 runs consistently throughout the day, offering customers a smooth and creamy product with every serving.

Features

- Self contained air cooled countertop
- Two flavor with twist
- Serves frozen yogurt, sorbet, custard, soft serve ice cream, and gelato
- Fast 7-10 min* to first dispense frozen product
- Automatic consistency control for easy operation
- Standby mode maintains fresh product overnight and reduces daily product drain and cleans.
- Refrigerated hoppers maintain fresh product overnight or during slow sales periods
- All stainless steel construction for easy cleaning and durability



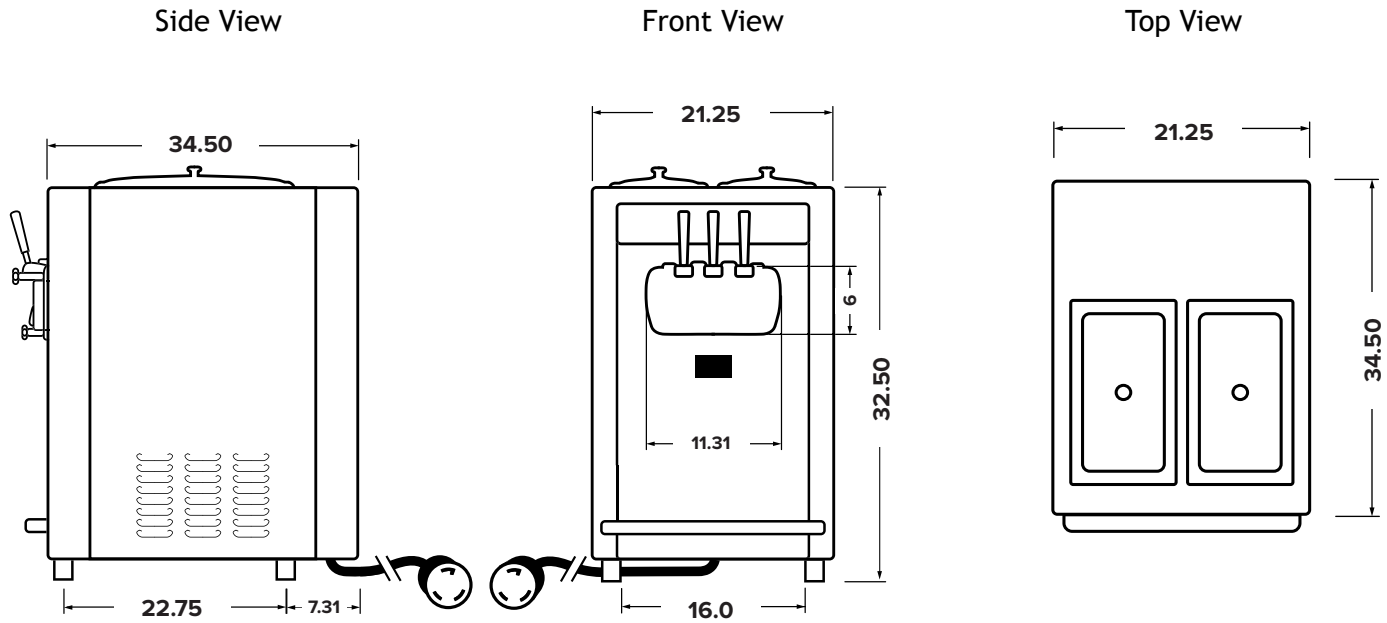
CE ISO 9001

DONPER USA

Donper USA
24610 Kingsland Blvd
Katy, TX 77494

1-844-366-7371
sales@donperusa.com
www.donperusa.com

D800



Measurements in inches.

Size and Capacity

Freezing Cylinders (each)	2 Qt (1.9 L)
Refrigerated Hoppers (each)	9.5 Qt (9 L)
Appx. Hourly Production	46-59 Qt (44-56 L)
Height	32.5 in (826 mm)
Width	21.3 in (540 mm)
Depth	34.5 in (876 mm)
Weight	352 lbs (160 kg)

Electrical

Voltage	230 v
Phase	Single
Rated Input Power	20A (4.6 kW)
Breaker Size	20A, Double Pole
Main Compressor	2 HP (R404A)
Hopper Cooling Compressor	1/6 HP (R134A)
Drive Motors (each)	1 HP (750W)
Hertz	60 Hz
Plug type	NEMA L6-30P

Distributed By:

DONPER USA

Donper USA
24610 Kingsland Blvd
Katy, TX 77494

1-844-366-7371
sales@donperusa.com
www.donperusa.com