



D800

SOFT SERVE MACHINE

The D800 is the premier machine for self-serve dessert concepts. With a simple, user-friendly design, the D800 greatly reduces the complexities of being a machine operator. The D800 runs consistently throughout the day, offering customers a smooth and creamy product with every serving.

Features

- Self contained air cooled countertop
- Two flavor with twist
- Serves frozen yogurt, sorbet, custard, soft serve ice cream, and gelato
- Fast 7-10 min* to first dispense frozen product
- Automatic consistency control for easy operation
- Standby mode maintains fresh product overnight and reduces daily product drain and cleans.
- Refrigerated hoppers maintain fresh product overnight or during slow sales periods
- All stainless steel construction for easy cleaning and durability



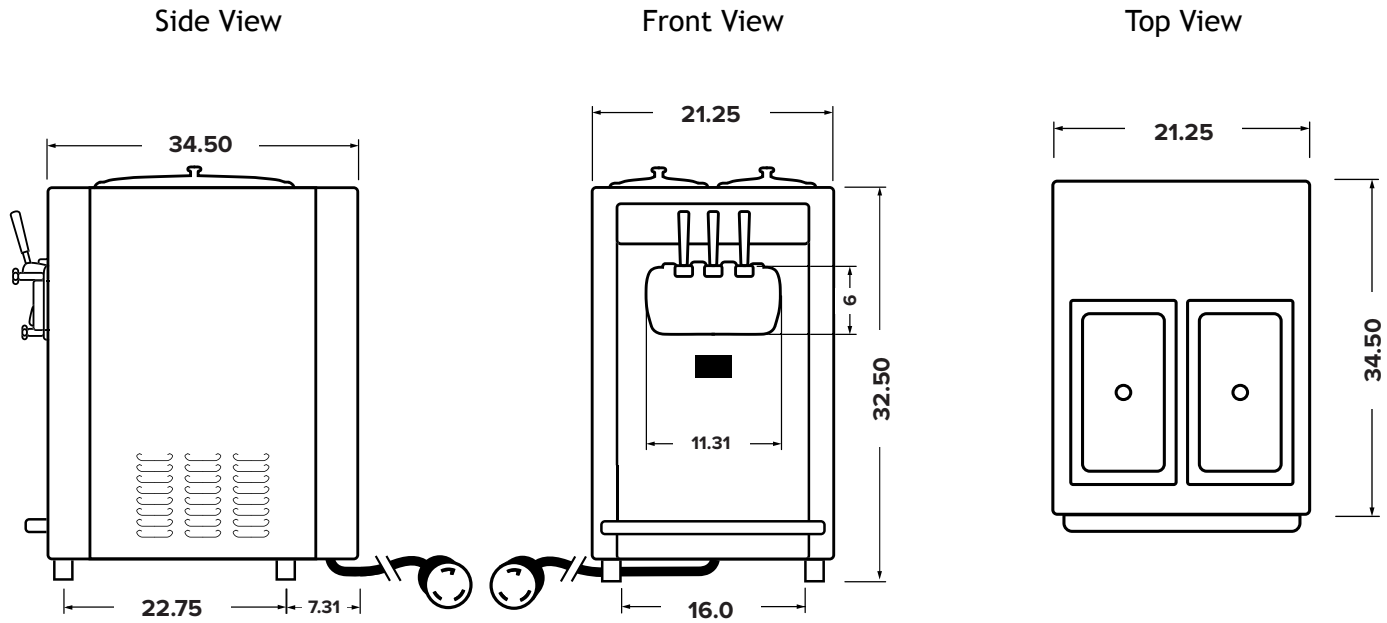
CE ISO 9001

DONPER USA

Donper USA
24610 Kingsland Blvd
Katy, TX 77494

1-844-366-7371
sales@donperusa.com
www.donperusa.com

D800



Measurements in inches.

Size and Capacity

| | |
|-----------------------------|--------------------|
| Freezing Cylinders (each) | 2 Qt (1.9 L) |
| Refrigerated Hoppers (each) | 9.5 Qt (9 L) |
| Appx. Hourly Production | 46-59 Qt (44-56 L) |
| Height | 32.5 in (826 mm) |
| Width | 21.3 in (540 mm) |
| Depth | 34.5 in (876 mm) |
| Weight | 352 lbs (160 kg) |

Electrical

| | |
|---------------------------|------------------|
| Voltage | 230 v |
| Phase | Single |
| Rated Input Power | 20A (4.6 kW) |
| Breaker Size | 30A, Double Pole |
| Main Compressor | 2 HP (R404A) |
| Hopper Cooling Compressor | 1/6 HP (R134A) |
| Drive Motors (each) | 1 HP (750W) |
| Hertz | 60 Hz |
| Plug type | NEMA L6-30P |

Distributed By:

DONPER USA

Donper USA
24610 Kingsland Blvd
Katy, TX 77494

1-844-366-7371
sales@donperusa.com
www.donperusa.com