



CE ISO 9001

D600 SOFT SERVE MACHINE

The D600 is the perfect entry level soft serve machine for any location. With low power consumption, strong production, two flavors and a twist, hopper cooling, and digital consistency controls, the D600 has all the features of much more expensive machines. The D600 is an air cooled countertop model that requires only a power plug to start producing smooth creamy soft serve at your location.

Features

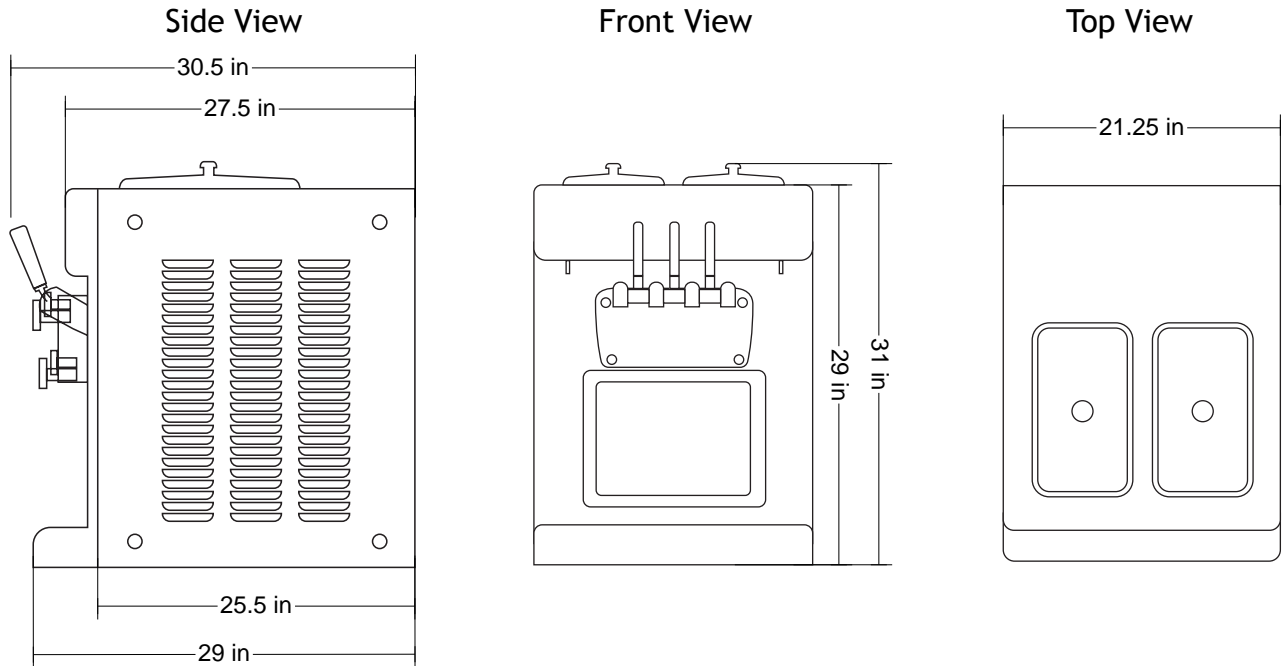
- Air cooled countertop model
- Two flavor with twist
- Serves frozen yogurt, sorbet, soft serve ice cream, etc
- 15-20 min approximate freeze time to first dispense frozen product
- Refrigerated hoppers for faster recovery times
- Product consistency is adjustable by an LCD control

DONPER USA

Donper USA
24610 Kingsland Blvd
Katy, TX 77494

1-844-366-7371
sales@donperusa.com
www.donperusa.com

D600



Measurements in inches.

Size and Capacity

Freezing Cylinders (each)	1.7 Qt (1.6 L)
Refrigerated Hoppers (each)	5.8 Qt (5.5 L)
Height	31.0 in (850 mm)
Width	21.3 in (540 mm)
Depth	30.5 in (860 mm)
Weight	320 lbs (145 kg)

Electrical

Voltage	115 v
Phase	Single
Rated Input Power	20A (2300 W)
Breaker Size	20A, Double Pole
Main Compressor	3/4 HP (R404A)
Hopper Cooling Compressor	1/6 HP (R134a)
Drive Motor	1/2 HP (750 W)
Hertz	60 Hz
Plug type	NEMA L5-20P

Distributed By:

DONPER USA

Donper USA
24610 Kingsland Blvd
Katy, TX 77494

1-844-366-7371
sales@donperusa.com
www.donperusa.com