



C1

SOFT SERVE & FROZEN DRINK MACHINE

The C1 is a 1.7 gallon capacity machine designed to produce both soft serve or slush products. The C1 is designed for reliability and ease of use in an attractive finish that accents any placement. The C1 offers an energy efficient refrigeration system for low cost operation and simple digital controls for easy operation and perfect products every time.

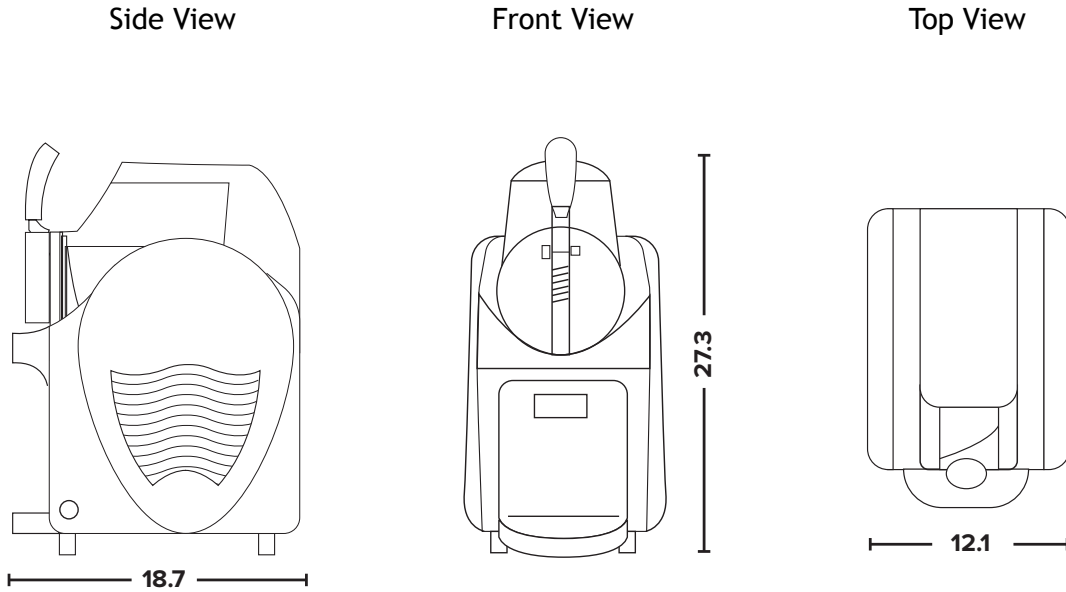
Features

- Patented Turbo Feature for accelerated dispensing of firmer products.
- Serves frozen slush products, soft serve ice cream and frozen yogurts, sorbet, custard, and gelato.
- Self-contained air cooled countertop model.
- Ideal for bars, restaurants, hotels, cafeterias and catering companies for the production of delicious desserts and chilled specialties.
- Operators can easily switch modes among ice cream, slush and chilled drink with visual operation interface.
- Dishwasher safe components for easy cleaning.

DONPER USA

Donper USA
24610 Kingsland Blvd
Katy, TX 77494

1-844-366-7371
sales@donperusa.com
www.donperusa.com



Measurements in inches.

Size and Capacity

Freezing Cylinder	6.4 Qt (6.0 L)
Height	27.3 in (700 mm)
Width	12.09 in (310 mm)
Depth	18.72 in (480 mm)
Weight	70.5 lbs (32 kg)

Electrical and Refrigerant

Voltage	115 v
Phase	Single
Rated Input Power	430 W
Refrigerant	R134a
Compressor	1/2 HP
Hertz	60 Hz
Plug type	115 volt Standard Plug

Distributed By:
