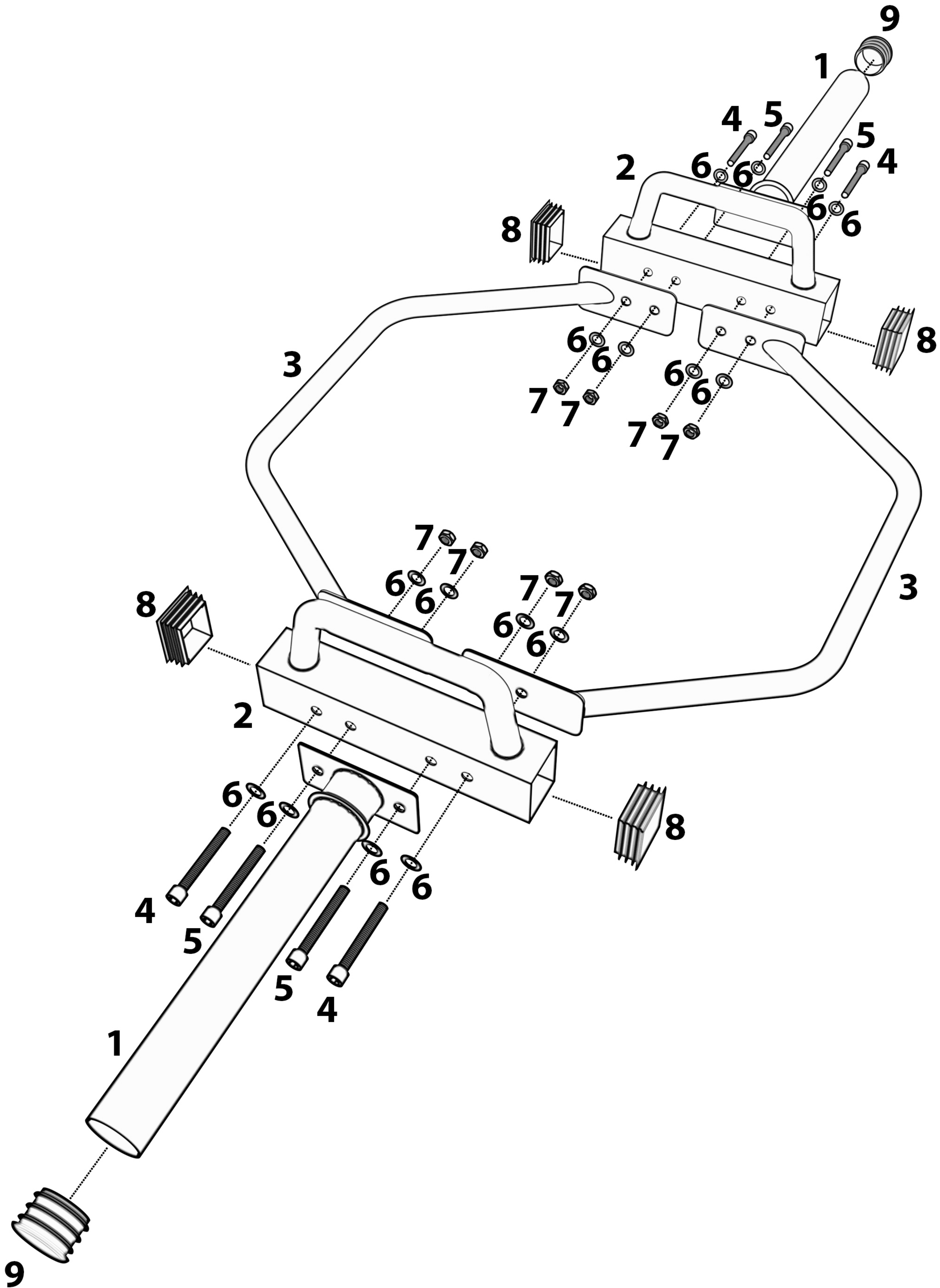


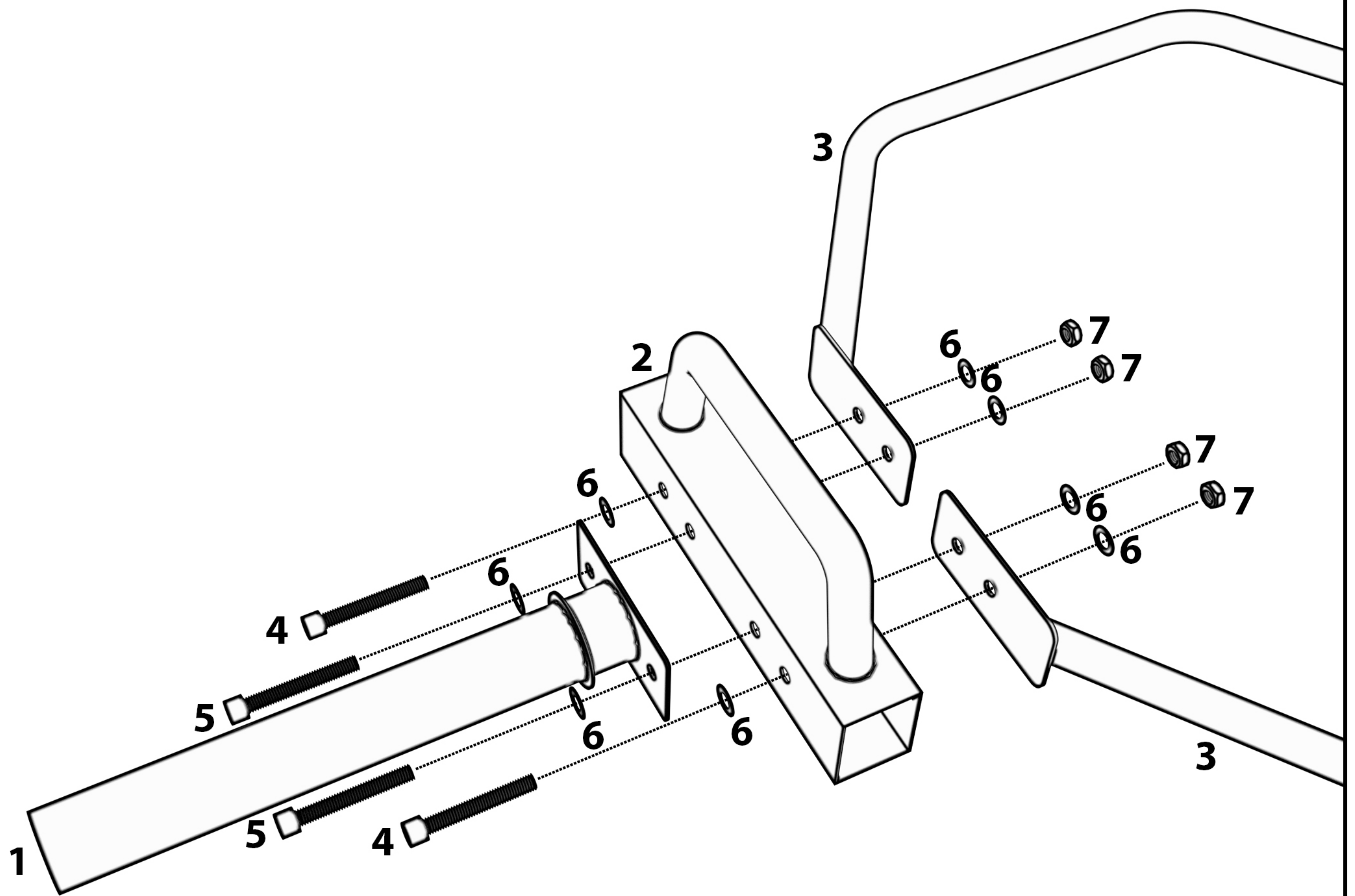
SYNERGEE HEX BAR



No.	Description	Qty
1	Attachable Sleeves	2
2	Handle Base	2
3	Hex Bar Body	2
4	M10X1.5 Screw (64mm)	4
5	M10X1.5 Screw (67mm)	4
6	Washer	16
7	Nut	8
8	Square End Cap	4
9	Circle End Cap	2

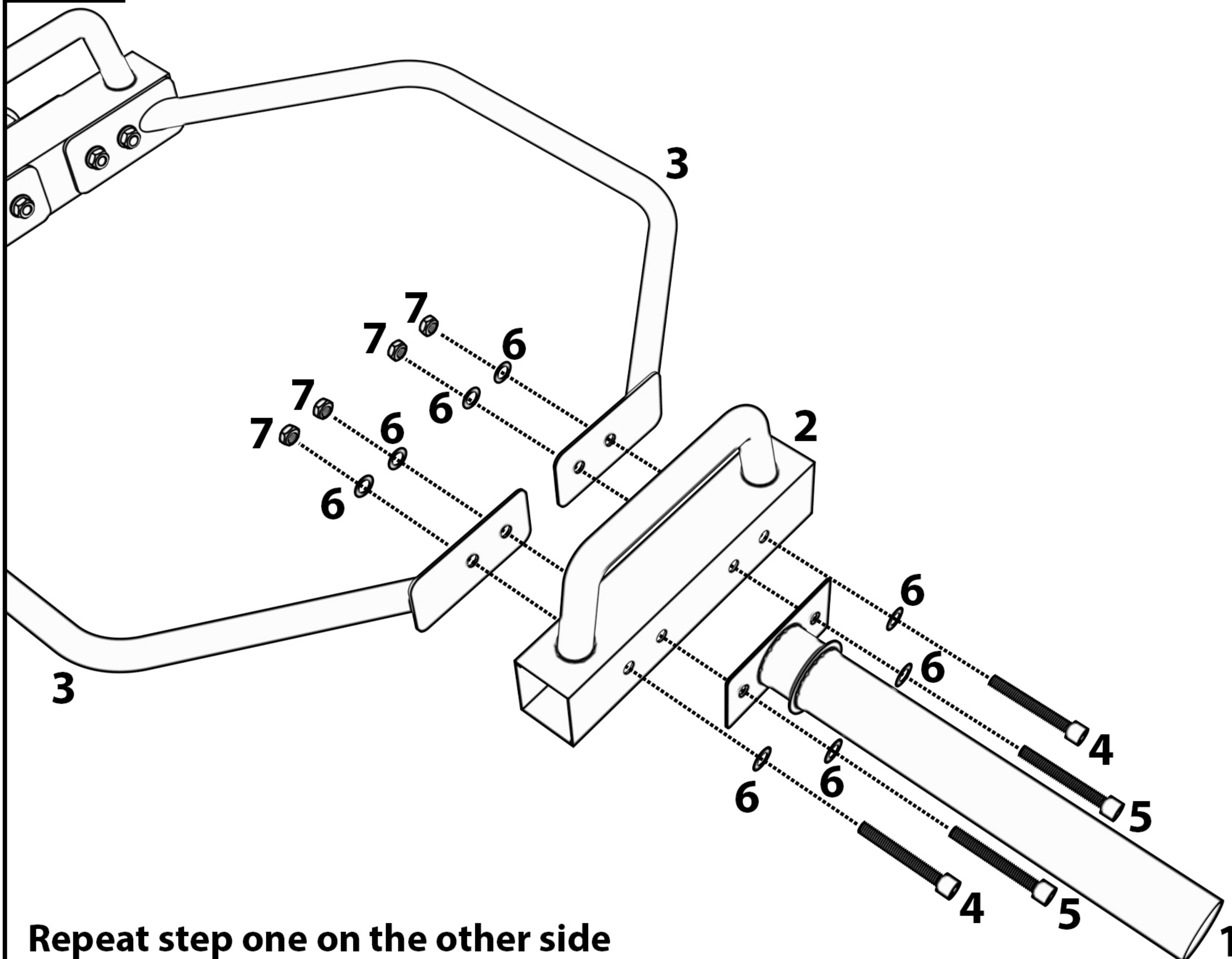
**IF ANY PIECES ARE MISSING, PLEASE CONTACT US IMMEDIATELY:
HELLO@SYNERGEEFITNESS.COM OR 1.855.217.7136**

1.



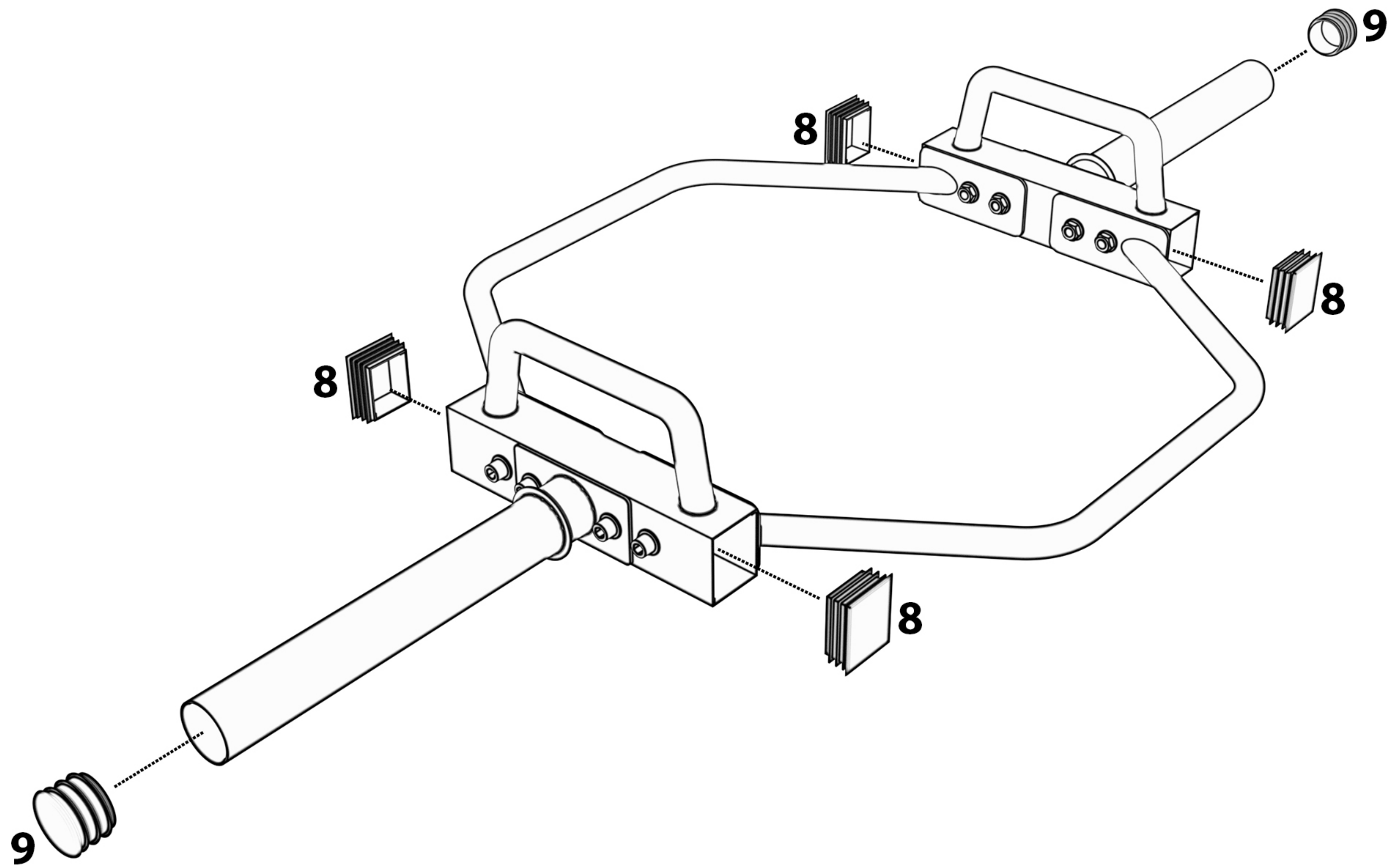
Align the holes of the Sleeve (1) to the Handle (2) and Base (3) as shown and secure with provided hardware

2.



Repeat step one on the other side

3.



Secure the end caps (8&9) into place as shown

4.

