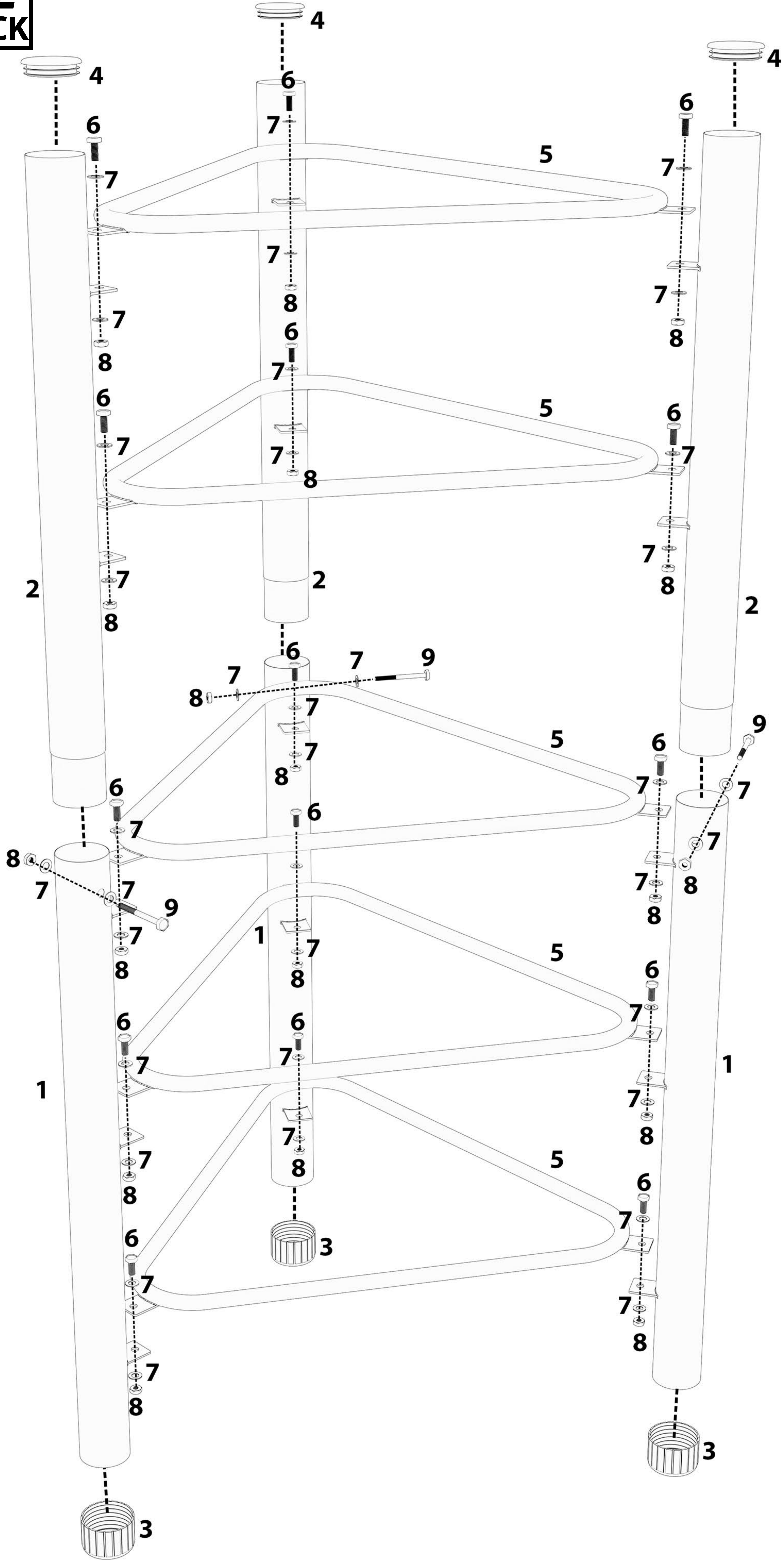
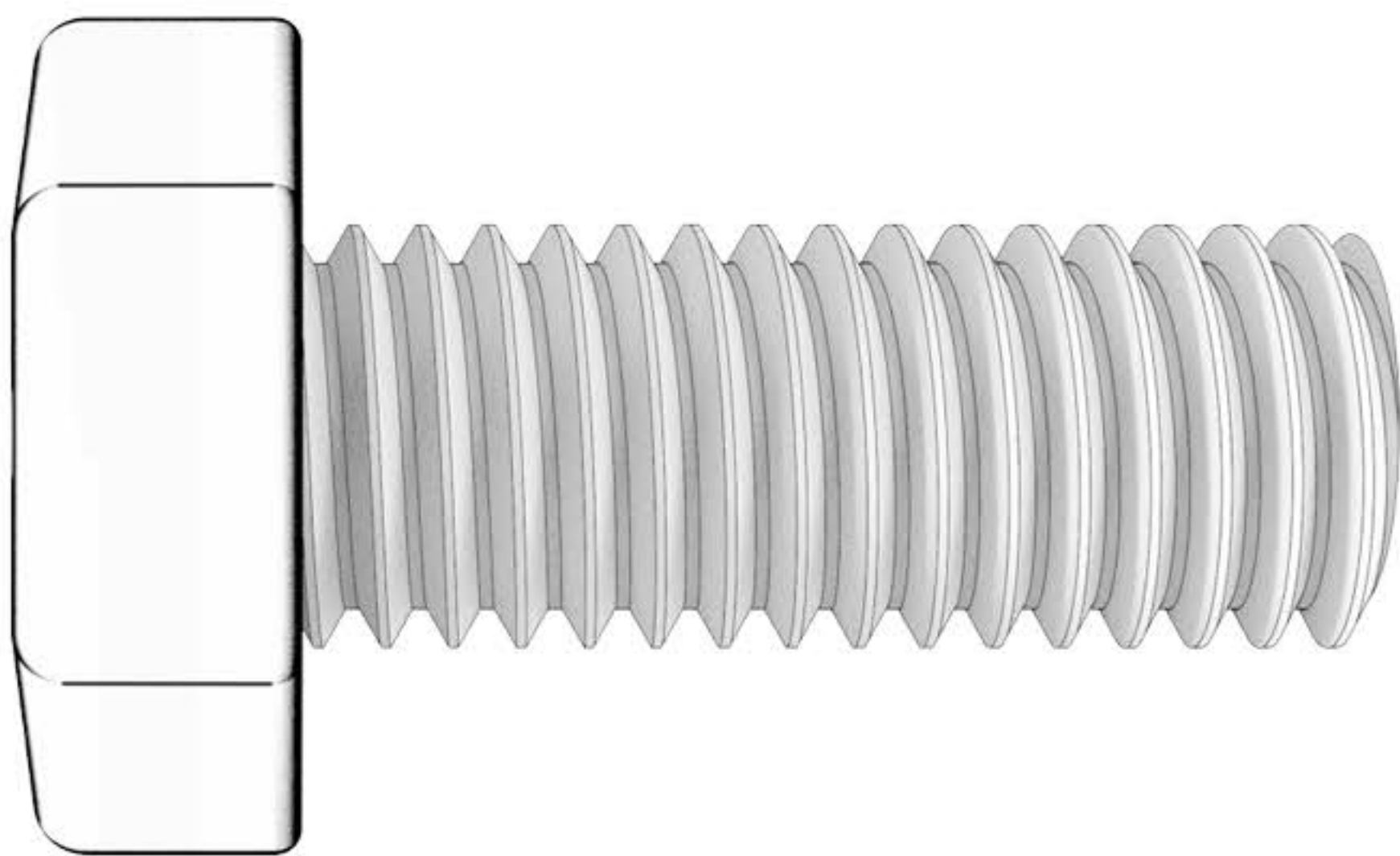


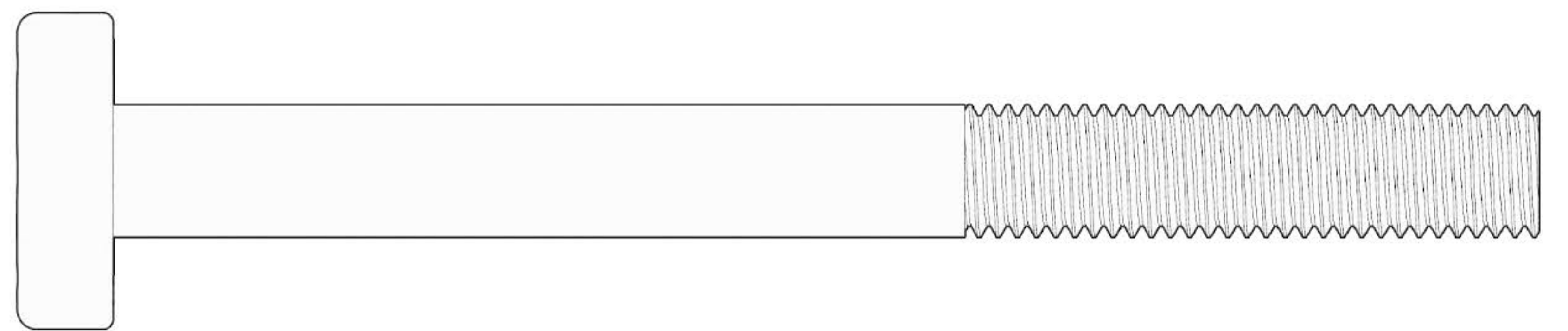
# SYNERGEE BOSU BALL RACK



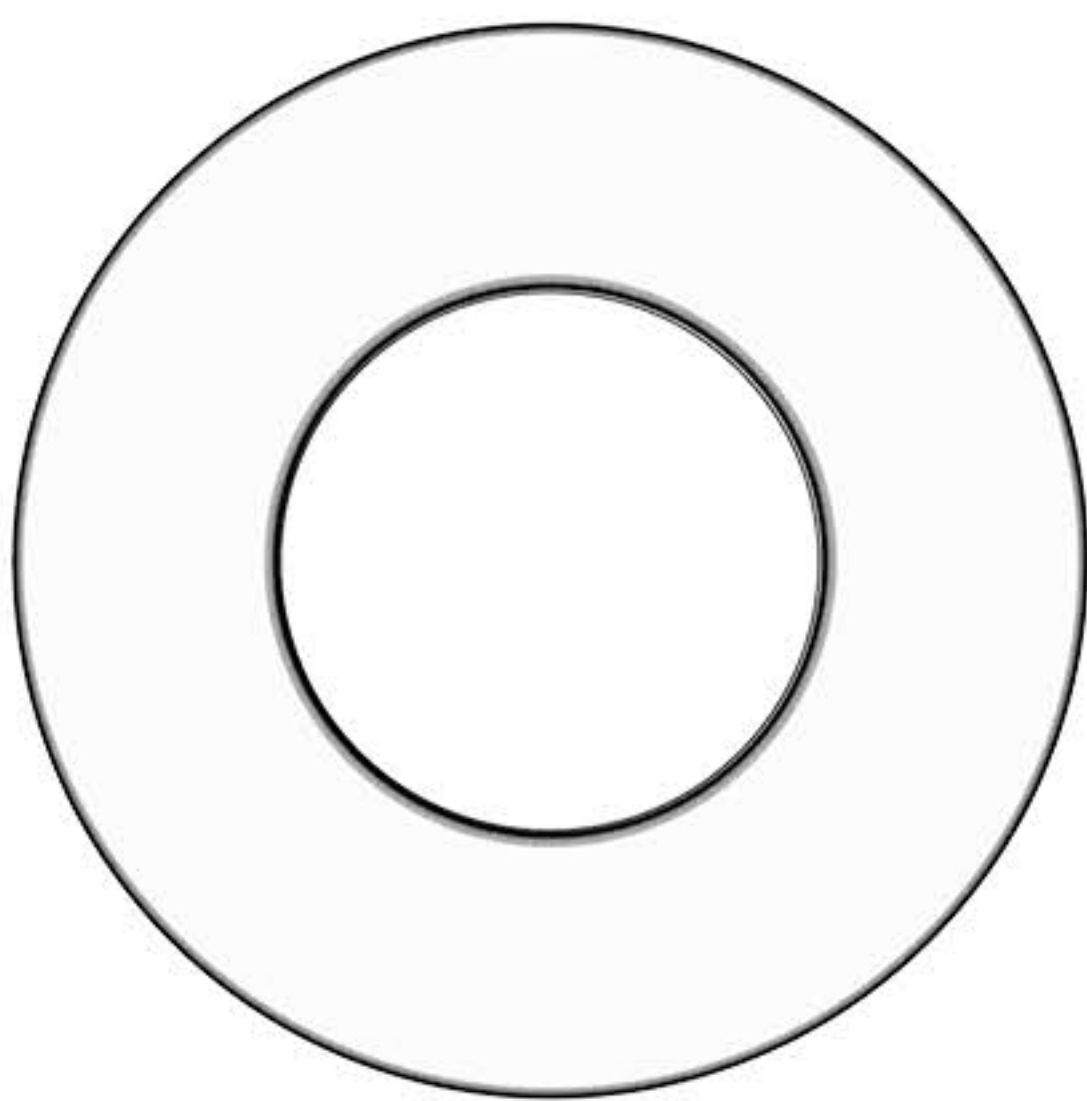
No.	Description	Qty
1	Main Upright	3
2	Secondary Upright	3
3	Rubber Feet	3
4	Upright Cap	3
5	Triangle Rack	5
6	Screw	15
7	Washer	36
8	Nut	18
9	Mounting Screw	3



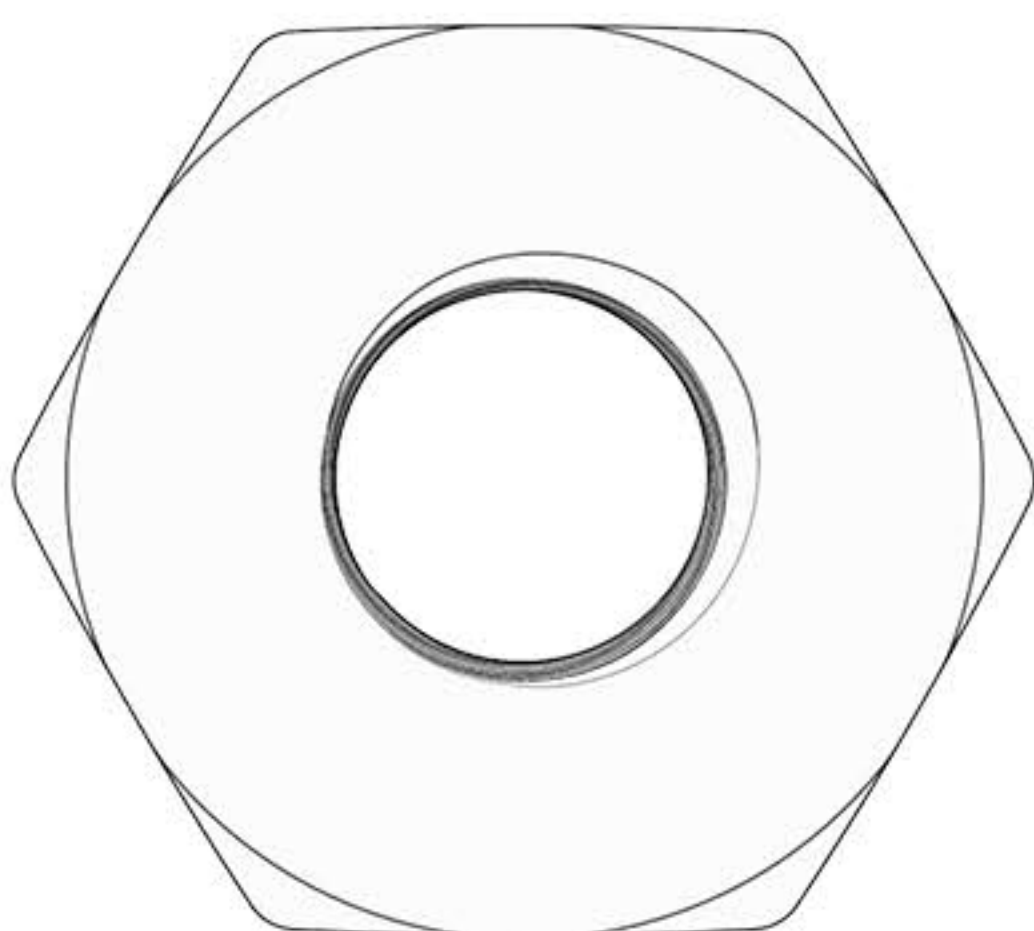
**M10\*20 (15pcs)**



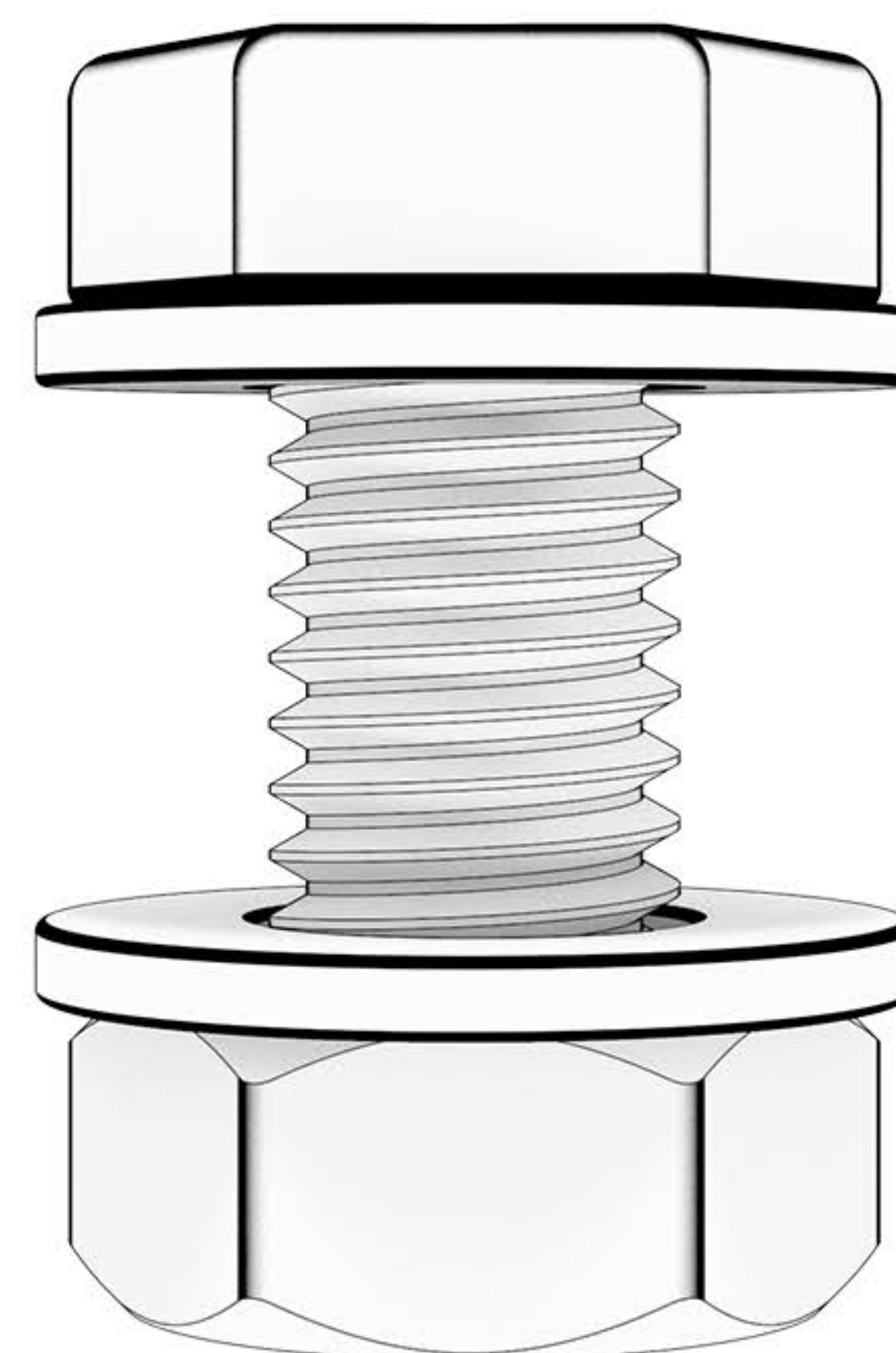
**M10\*65 (15pcs)**



**8(30pcs)**

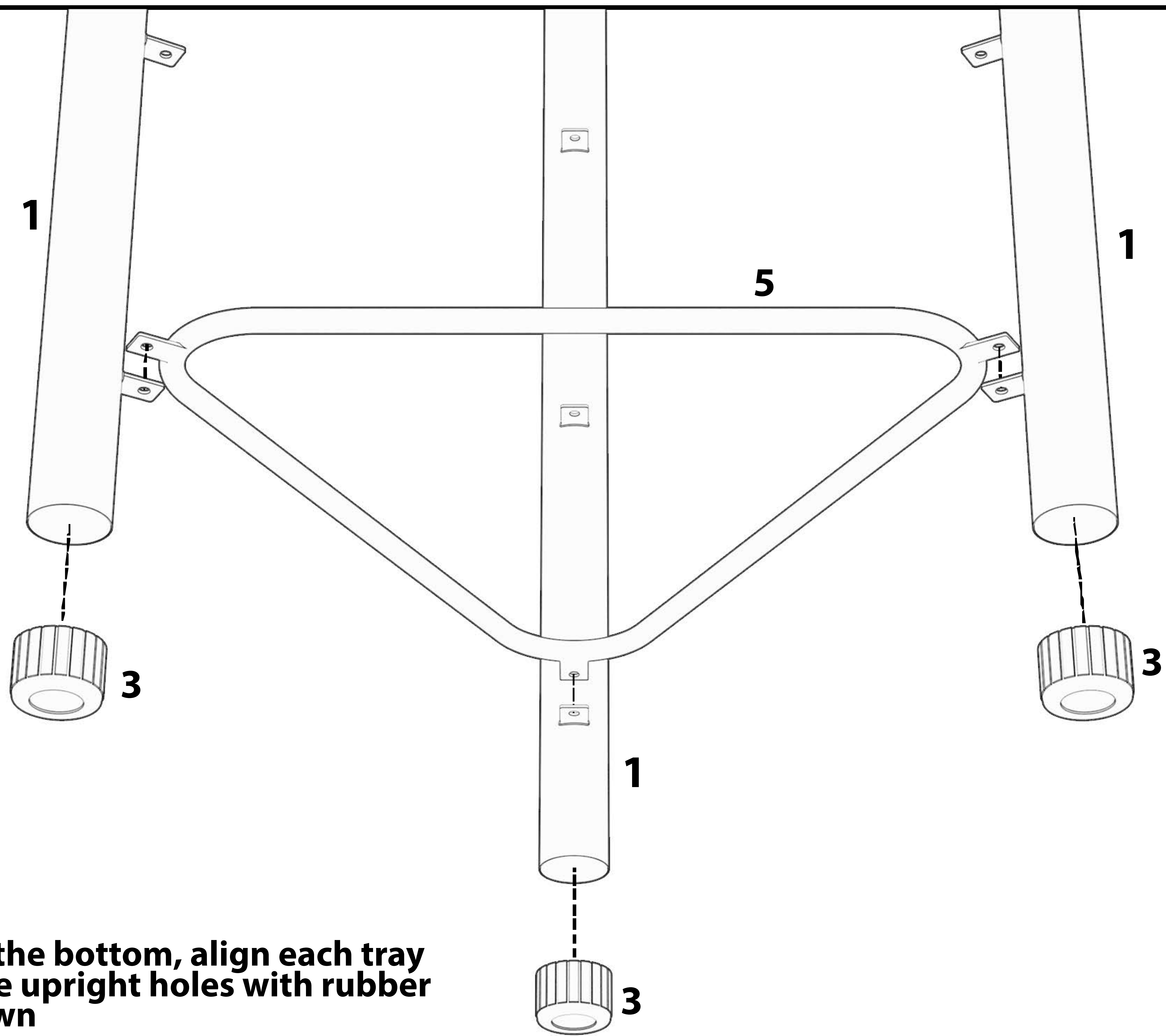


**M8 (15pcs)**



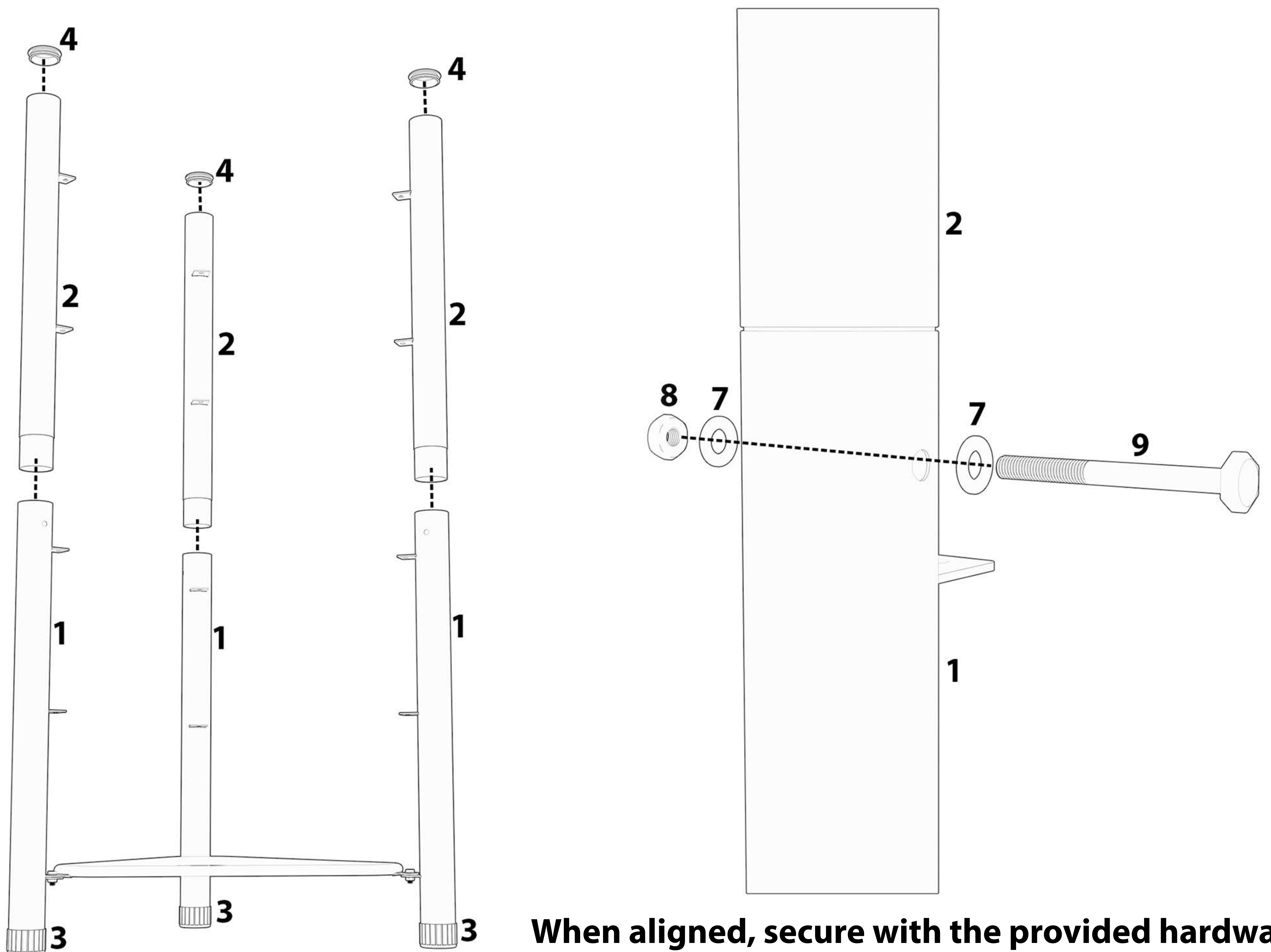
**IF ANY PIECES ARE MISSING, PLEASE CONTACT US IMMEDIATELY:  
HELLO@SYNERGEEFITNESS.COM OR 1.855.217.7136**

**1.**



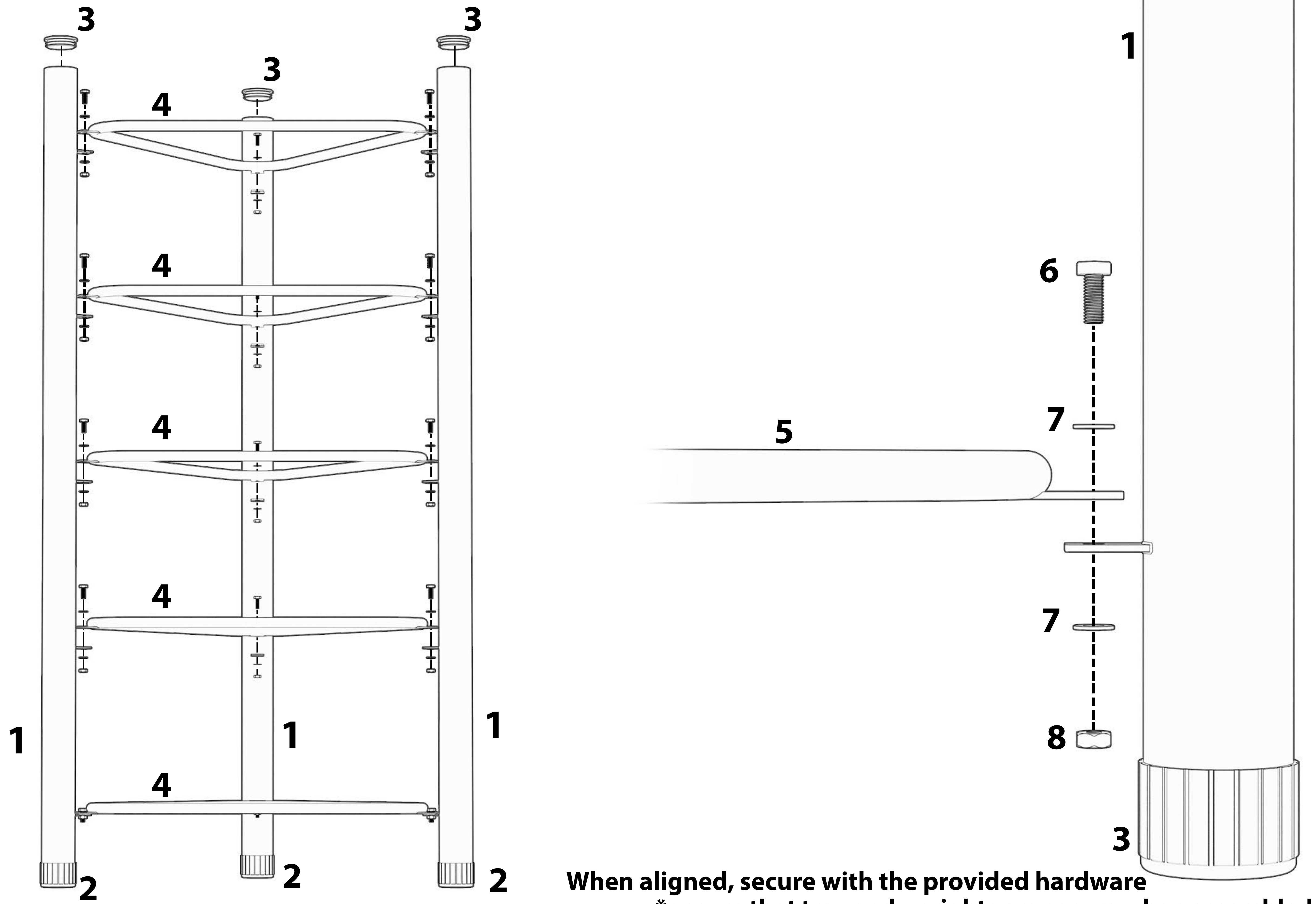
Starting from the bottom, align each tray corner with the upright holes with rubber feet facing down

**2.**



When aligned, secure with the provided hardware

**3.**



**4.**

