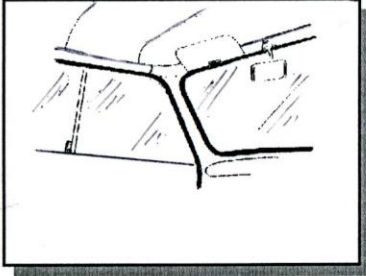
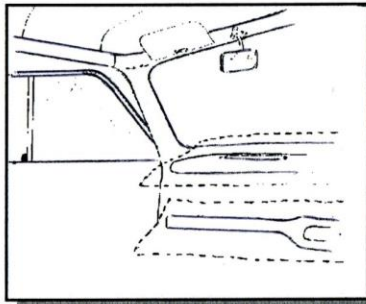
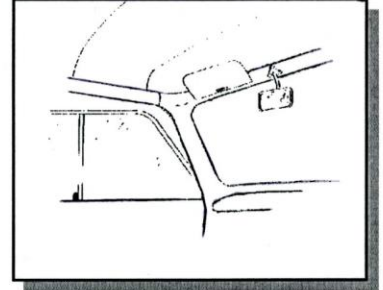


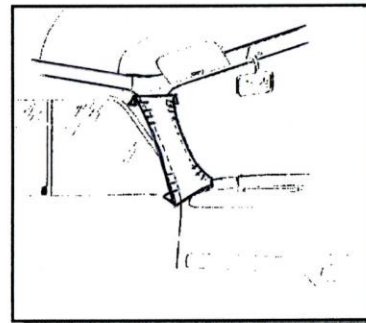
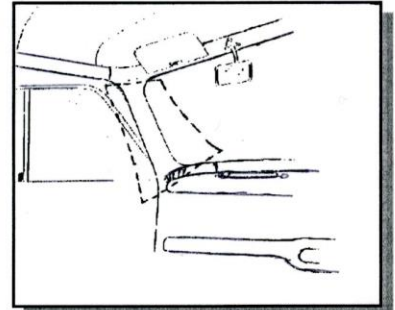
# MINI - FITTING INSTRUCTIONS FOR DASH SURROUND & A-POST MATERIAL PART NO. DT3028



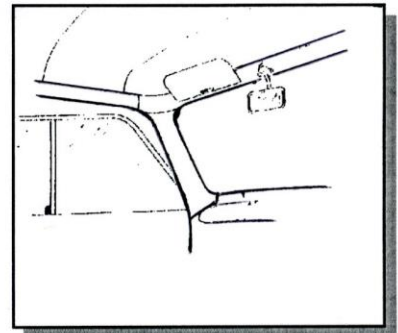
1) Remove front screen & rubber.  
Open door & pull draught excluder away from door surround.



2) From the material supplied , cut blanks to cover the upper & lower dash area, if required, then glue into place using a contact adhesive. Trim carefully around the air vents. Allow enough material to roll over the edge of the window opening. Cut blanks for the A-posts, slightly over-size.



3) Glue the material to the A-post metal, folding the top & bottom ends under to hide any raw edges. Trim the material to approx. 1 cm. of the window & door openings. Apply glue to rear of material & metal, then turn over the edges, slitting where required to relieve tension in the material at corners.



4) Re-fit door draught excluder, front screen & rubber.

HAPPY MOTORING.

