

NEWTON COMMERCIAL

LOTUS ELAN

TRIM CATALOGUE



Call us:

+44 (0) 1728 832880

Email our sales team:

sales@newtoncomm.co.uk

Visit our website:

www.newtoncomm.co.uk

Visit us at:

Eastlands Industrial Estate,
Leiston,
Suffolk,
IP16 4LL



Search Newton Commercial

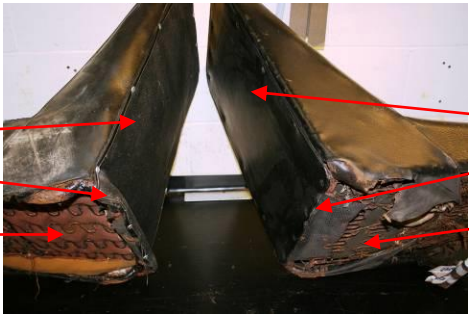


SCAN ME

LOTUS ELAN Srs 1
TYPE 26 – LATE 1962 - NOV1964

IDENTIFY YOUR SEATS

Srs 1 EARLY
 (Approx first 600 cars)
 Seat back is Hardura screwed to frame
 Rear lower frame is curved.
 On underside of base, snake wires run front to back.



Srs 1 LATE
 (Approx last 300 cars)
 Seat back is vinyl covered board screwed inside rear of frame.
 Rear lower frame is straight.
 On underside of base, snake wires run side to side.
NOTE: All other Elan seat frames are identical to this.



SEAT KIT – Srs 1 EARLY
SC5563
 ALL VINYL STAG GRAINED PLAIN WELDED FLUTES
COLOURS:
 A = BLACK
 P5 = ATLAS GREY



SEAT KIT – Srs 1 LATE
SC5560A
 ALL VINYL STAG GRAINED PLAIN WELDED FLUTES
COLOUR: BLACK

SEAT KIT FITTING CHARGE
SC5568 FITTING

THIS IS THE COST FOR US TO STRIP YOUR OLD SEATS, INSPECT, REPAIR FRAMES, RE-PAINT & FIT NEW SEAT COVERS.

NOTE: THIS DOES NOT INCLUDE THE COST OF THE SEAT COVERS WHICH ARE SHOWN AS SEPARATE ITEMS ON THIS PAGE OR CARRIAGE COSTS.

PLEASE NOTE: OUR SEAT KITS ARE MADE USING ORIGINAL STYLE STAG GRAINED VINYL AND COME COMPLETE WITH ALL FOAM PADDINGS, WIRES & FIXINGS WHERE NEEDED. PLUS COMPLETE FITTING INSTRUCTIONS – KIT COVERS BOTH SEATS

DOOR TRIM KIT
AR5560



Srs 1 EARLY
AR5560P5
 ARMRESTS - ATLAS GREY
 PANEL MATERIAL - BEIGE

Srs 1 LATE
AR5560A
 ARMRESTS – BLACK STAG
 PANEL MATERIAL – BLACK STAG

DOOR PANEL TRIM
DP5572



Srs 1 EARLY
DP5572X
 PANEL MATERIAL ONLY
 BEIGE

Srs 1 LATE
DP5572A
 PANEL MATERIAL ONLY
 BLACK STAG

DOOR SURROUND MATERIAL
DP5575



VINYL & FOAM TO COVER ORIGINAL BOARD

Srs 1 EARLY
DP5575P5
 (ATLAS GREY)

Srs 1 LATE
DP5575A
 (BLACK STAG)

ARMREST / TUNNEL TOP
AR5561



PARALLEL WELD PATTERN ON BOARD WITH MOUNTING CLIPS

Srs 1 EARLY
AR5561P5 (ATLAS GREY)

Srs 1 LATE
AR5561A (BLACK)

LOTUS ELAN Srs 2 (S2 & S2 S/E)

TYPE 26 – NOV 1964 – JUNE 1966

APPROX 1200 Cars

NOTE:

ALL ELAN SEAT FRAMES &
SPRINGS
TYPE 26 (FROM LATE Srs 1),
TYPE 36 & 45,
ARE IDENTICAL

SEAT KIT FITTING CHARGE
SC5568 FITTING

THIS IS THE COST FOR US TO STRIP
YOUR OLD SEATS, INSPECT, REPAIR
FRAMES, RE-PAINT & FIT NEW SEAT
COVERS.

NOTE: THIS DOES NOT INCLUDE
THE COST OF THE SEAT COVERS
WHICH ARE SHOWN AS SEPARATE
ITEMS ON THIS PAGE, OR
CARRIAGE COSTS.



SEAT KIT – Srs2
SC5560A

ALL VINYL STAG GRAINED
PLAIN WELDED FLUTES
COLOUR: BLACK

PLEASE NOTE: OUR SEAT KITS ARE MADE USING ORIGINAL STYLE STAG GRAINED VINYL AND COME COMPLETE WITH ALL FOAM PADDINGS, WIRES & FIXINGS WHERE NEEDED.
PLUS COMPLETE FITTING INSTRUCTIONS – KIT COVERS BOTH SEATS

DOOR TRIM KIT
AR5560A



ARMRESTS
BLACK STAG
PANEL MATERIAL
BLACK STAG

DOOR PANEL TRIM
DP5572A



BLACK STAG GRAIN
VINYL TO COVER
ORIGINAL DOOR PANEL
BOARD

DOOR SURROUND
MATERIAL
DP5575A



BLACK STAG GRAIN
VINYL
& FOAM TO COVER
ORIGINAL BOARD

ARMREST /
TUNNEL TOP
AR5561A



BLACK STAG GRAIN VINYL
WITH PARALLEL WELD
PATTERN.
MOUNTED ON BOARD.
FIXING CLIPS FITTED.

LOTUS ELAN S3 (including S/E)
TYPE 36 – FHC (SEPT 1965 – AUG 1973)
TYPE 45 – DHC (JUNE 1966 – AUG 1973)

PLEASE NOTE:

OUR SEAT KITS ARE MADE USING ORIGINAL STYLE STAG GRAINED VINYL AND COME COMPLETE WITH ALL FOAM PADDINGS, WIRES & FIXINGS WHERE NEEDED.
PLUS COMPLETE FITTING INSTRUCTIONS
KIT COVERS BOTH SEATS



SEAT KIT
SC5560A

ALL VINYL STAG GRAINED
PLAIN WELDED FLUTES
COLOUR: BLACK

SEAT KIT FITTING CHARGE
SC5568 FITTING

THIS IS THE COST FOR US TO STRIP YOUR OLD SEATS, INSPECT, REPAIR FRAMES, RE-PAINT & FIT NEW SEAT COVERS.

NOTE: THIS DOES NOT INCLUDE THE COST OF THE SEAT COVERS WHICH ARE SHOWN AS SEPARATE ITEMS ON THIS PAGE, OR CARRIAGE COSTS.

CENTRE CONSOLE ARMREST
COVER ONLY
DP5570A



COLOUR: BLACK
STAG GRAIN VINYL
WITH WELDED FLUTE LINES
ON A FOAM BACKING

DOOR PANEL RECOVERING KIT
DP5560A



COLOUR: BLACK
KIT INCLUDES THE MAIN COVER WITH THE KICK CARPET & ARMREST SECTION SEWN IN, LOOSE MATERIAL FOR THE BACKING AREAS FOAM PADDING PLUS FITTING INSTRUCTIONS
PICTURE SHOWS OUR KIT FITTED TO AN ORIGINAL FIBREGLASS DOOR LINER

FITTING CHARGES – LABOUR COSTS ONLY FOR THE ABOVE ITEMS

DP5573 LOTUS ELAN = FITTING OF CENTRE CONSOLE COVER TO YOUR CENTRE ARMREST.

DP5568 FITTING = FITTING OF DOOR PANEL RECOVERING KIT TO YOUR FIBREGLASS DOOR LINERS.

NOTE: AS WITH SEATS, FITTING CHARGE DOES NOT INCLUDE CARRIAGE – PLEASE CALL TO DISCUSS.

LOTUS ELAN S4 (including S/E & SPRINT)

TYPE 36 - FHC (MARCH 1968 – AUG 1973)

TYPE 45 – DHC (MARCH 1968 – AUG 1973)

PLEASE NOTE:

OUR SEAT KITS COME COMPLETE WITH ALL FOAM PADDINGS, WIRES & FIXINGS WHERE NEEDED. PLUS COMPLETE FITTING INSTRUCTIONS KIT COVERS BOTH SEATS



SEAT KIT

SC5566A

ALL VINYL

PERFORATED (BASKETWEAVE) CENTRES

WELDED FLUTES

COLOUR: BLACK

SEAT KIT FITTING CHARGE

SC5568 FITTING

THIS IS THE COST FOR US TO STRIP YOUR OLD SEATS, INSPECT, REPAIR FRAMES, RE-PAINT & FIT NEW SEAT COVERS.

NOTE: THIS DOES NOT INCLUDE THE COST OF THE SEAT COVERS WHICH ARE SHOWN AS A SEPARATE ITEM ON THIS PAGE, OR CARRIAGE COSTS.

CENTRE CONSOLE ARMREST

COVER ONLY

COLOUR - BLACK



DP5570A = PLAIN VINYL

DP5571A = PERFORATED VINYL
(BASKETWEAVE)

WITH WELDED FLUTE LINES ON A FOAM BACKING

DOOR PANEL RECOVERING KIT

DP5562A



COLOUR: BLACK

KIT INCLUDES THE MAIN COVER WITH THE KICK CARPET & ARMREST SECTION SEWN IN, LOOSE BASKETWEAVE MATERIAL FOR THE BACKING AREAS FOAM PADDING PLUS FITTING INSTRUCTIONS PICTURE SHOWS OUR KIT FITTED TO AN ORIGINAL FIBREGLASS DOOR LINER

FITTING CHARGES – LABOUR COSTS ONLY FOR THE ABOVE ITEMS

DP5573 LOTUS ELAN = FITTING OF CENTRE CONSOLE COVER TO YOUR CENTRE ARMREST.

DP5568 FITTING = FITTING OF DOOR PANEL RECOVERING KIT TO YOUR FIBREGLASS DOOR LINERS.

NOTE: AS WITH SEATS, FITTING CHARGE DOES NOT INCLUDE CARRIAGE – PLEASE CALL TO DISCUSS.

LOTUS ELAN

ACCESSORIES

LOTUS ELAN Srs 1 & 2

PART No. CK5558A

BOOT MAT



SPECIFICATION: Hardura – Black. Bound all round (L/Cloth)



Fuel filler position is marked on back RH side of mat.
The binding is back tacked at this point so that when the mat is cut to fit round the fuel filler pipe, the stitching will not run.

BOOT BLANKING PANEL

DT5560

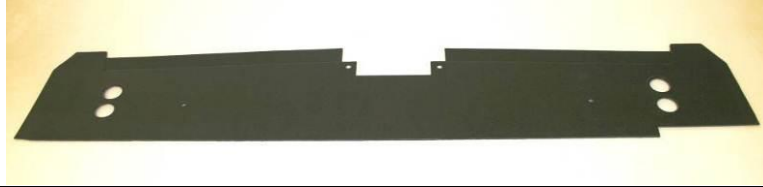


MADE FROM 2mm THICK
WATER RESISTANT FIBREBOARD

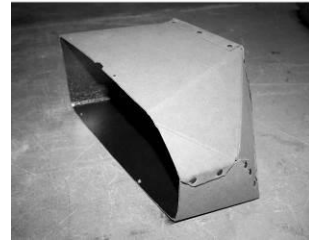
LOTUS ELAN
ACCESSORIES

BOOT BACK BOARD

Part No. GB649 - Srs 3
Part No. GB646 - Srs 4 & SPRINT



GLOVEBOX – RHD
Part No. GB655
SERIES 2



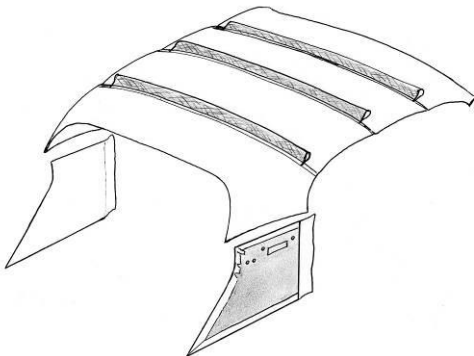
GLOVEBOX – LHD
Part No. GB656
SERIES 2



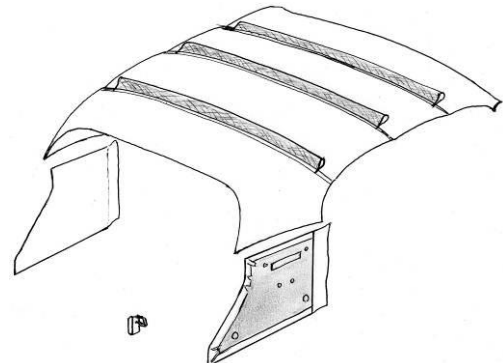
GLOVEBOX – RHD
Part No. GB645
Srs 3, Srs 4 & SPRINT



GLOVEBOX – LHD
Part No. GB648
Srs 3, Srs 4 & SPRINT



ELAN EARLY FIXED HEAD COUPE
HEADLINING
Part No HL5559W
PRE-AIRFLOW MODELS
COLOUR = WHITE



ELAN FIXED HEAD COUPE
HEADLINING KIT
Part No. HL5560W
LATE MODELS
COLOUR = WHITE

NEWTON

COMMERCIAL • EST 1979



CLASSIC CAR INTERIORS

