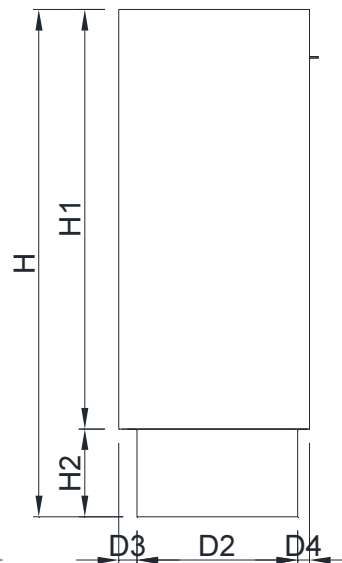
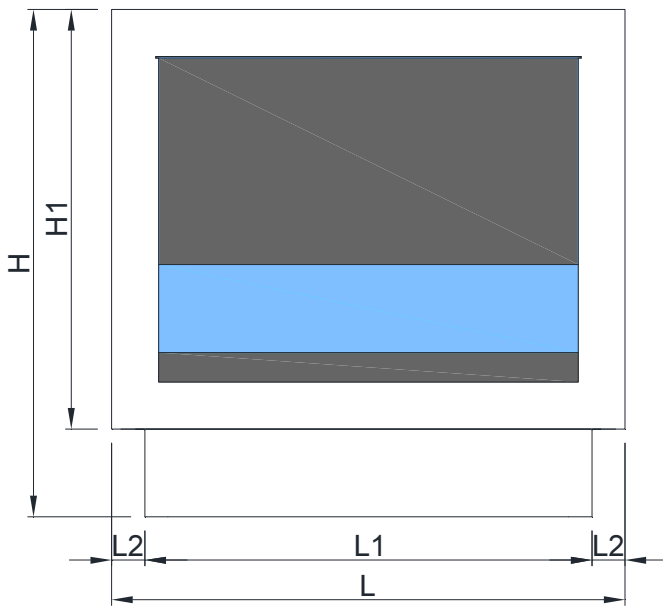
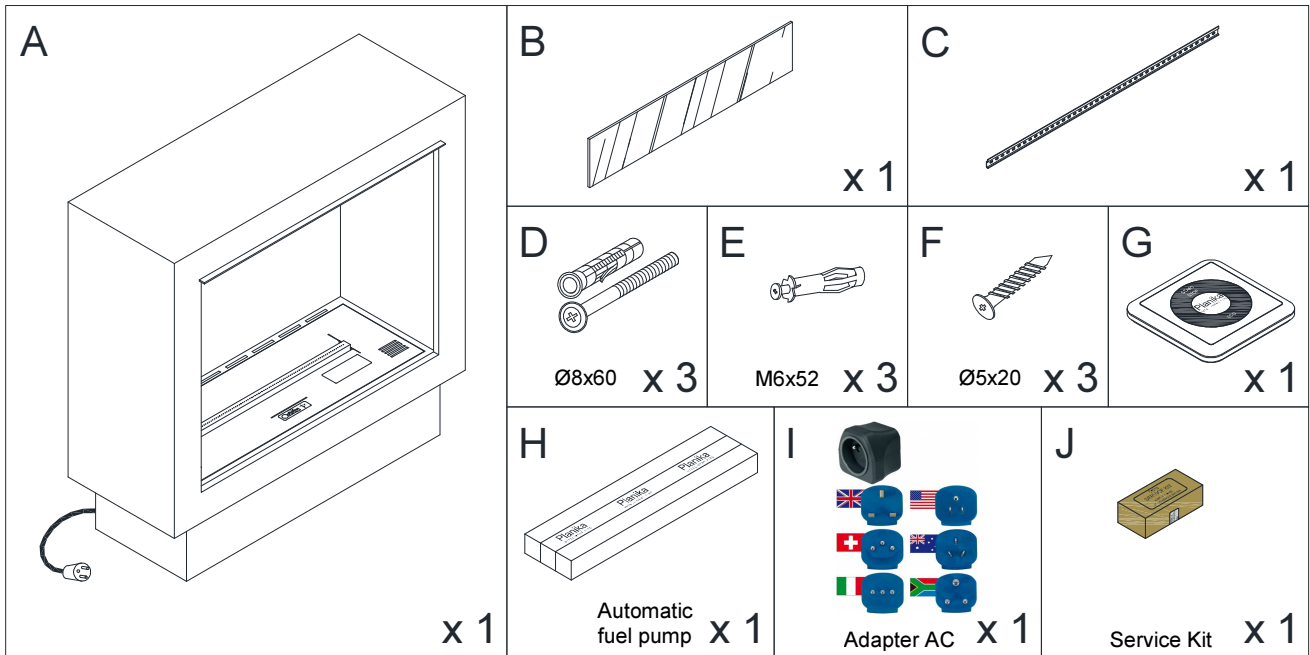
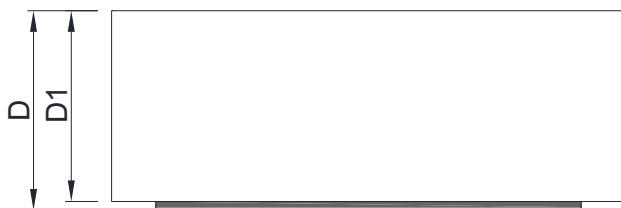


INSTALLATION MANUAL

PrimeBox#4 REMOTE



	[mm]	["]
H	865	34 ¹ / ₁₆
H1	715	28 ¹ / ₈
H2	150	5 ⁷ / ₈
L	875	34 ⁷ / ₁₆
L1	762	30
L2	56,5	2 ¹ / ₄
D	335	13 ³ / ₁₆
D1	320	12 ⁵ / ₈
D2	274	10 ¹³ / ₁₆
D3	26	1
D4	20	¹³ / ₁₆



Fixed unit's weight
= **38,5 kg / 84,9 lb**

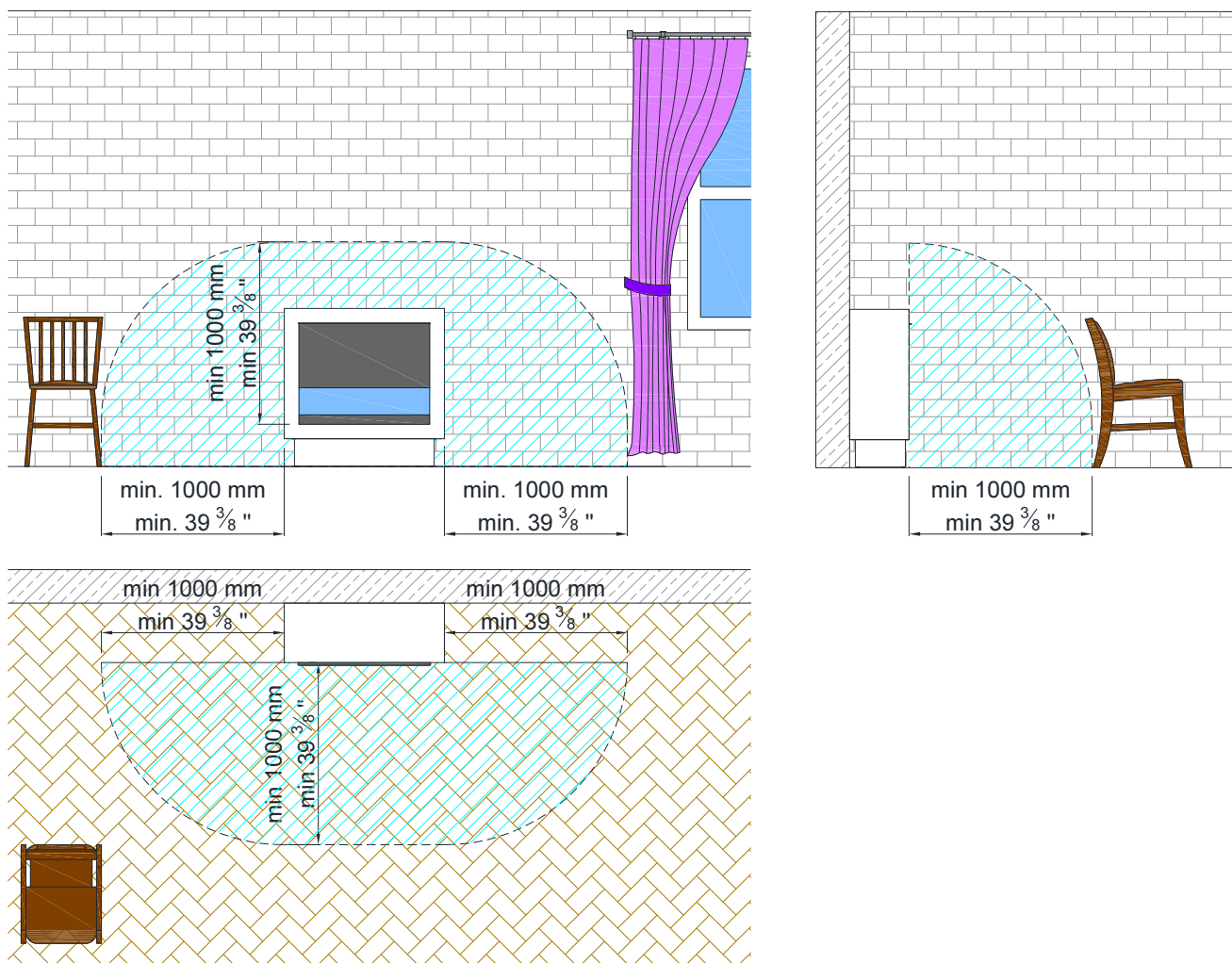


- Do not install the device in areas with a capacity of less than 58 m³ / 2048 ft³ (22 m² / 237 ft² with a height of 2.6 m / 8.53 ft).
- While installing the device according to the instruction manual local and national guidelines are to be observed.
- Place the device on a levelled surface. The cavity for the device has to be designed with the use of a spirit level.
- Do not obstruct the ventilation slots and/or ventilators.
- Do not install the device in areas of large drafts of air, near fans, vents, etc.
- Do not place in areas where there might be a potentially explosive atmosphere of paint vapours, industrial dusts, etc.
- No flammable items should be placed in direct contact and within a 1 m / 3.28 ft from the device. Do not place near curtains, net curtains, etc.
- Do not expose the device to meteorological conditions. The device is for indoor use only.
- Do not place the device in close proximity to sources of humidity.
- It is obligatory to have a carbon-dioxide (CO₂) or dry chemical extinguisher placed nearby the device.
- The room in which the device will be installed must have efficient ventilation to ensure air exchange in the room at least once per hour.
- Do not start the device before a complete and proper installation.
- Do not fill the fuel container before placing the product into its final position.
- In case of mounting more than one unit in the room, the minimal cubature is the sum of cubatures required for each unit.
- The bearing capacity of the substrate, on which the device will be installed, must be at least 77 kg / 169,8 lb.
- The device must be placed out of reach of: children, animals and unauthorized persons..
- Do not install the device in mobile facilities (e.g. trailers, yachts).

A socket (230V, 50Hz), should be placed near the installation point, so that the device can be powered.

The wall on which the device is hung can be made of any material such as concrete, brick, plasterboard or wood. The wall can be covered with any paint, however it is not recommended to wall – papering the walls behind the device and at the height of up to 1m above the device.

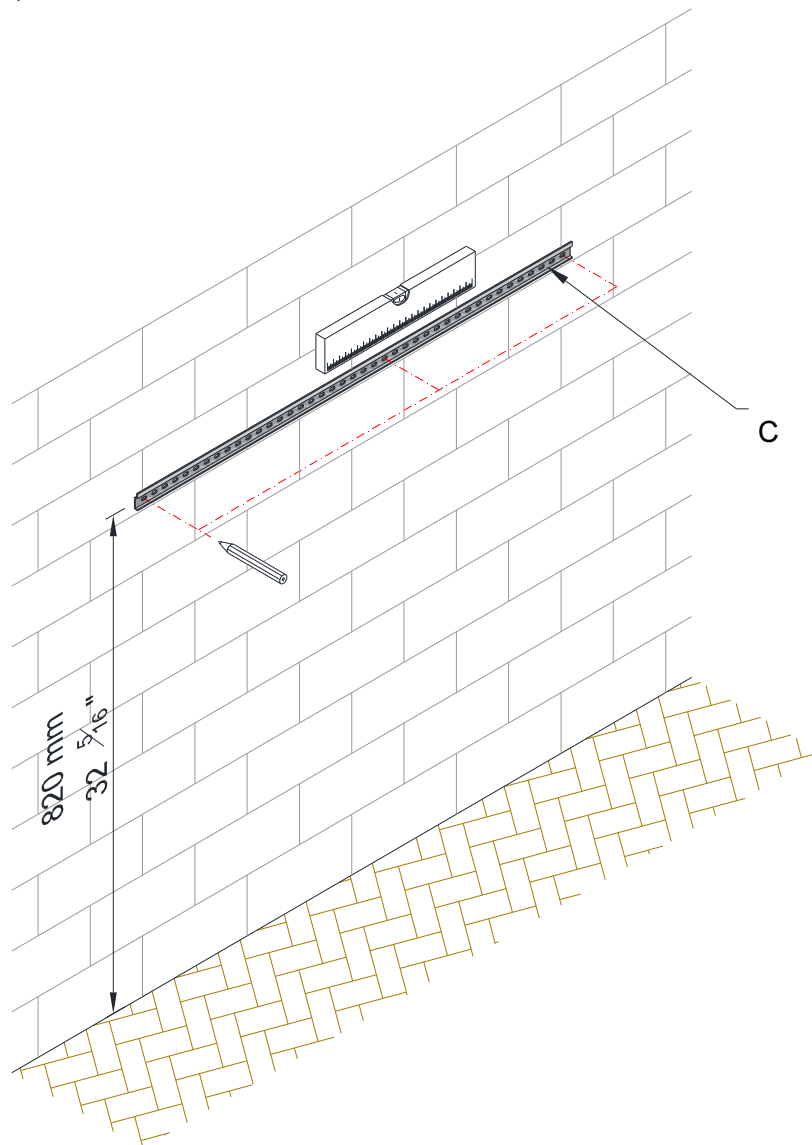
Due to fire safety, under no circumstances can there be placed any flammable materials within a 1 m (40 inches) from the device.



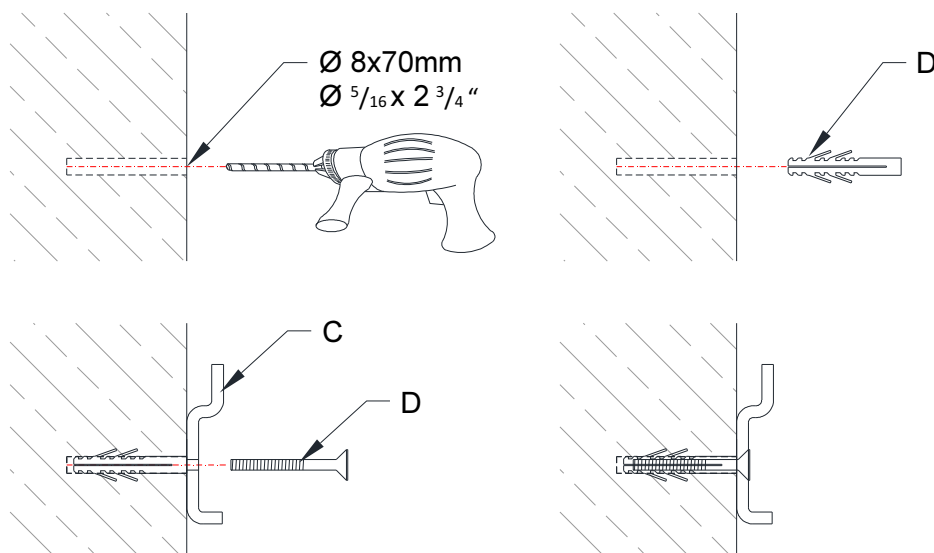
WARNING! The product must be situated on the floor.

Installation

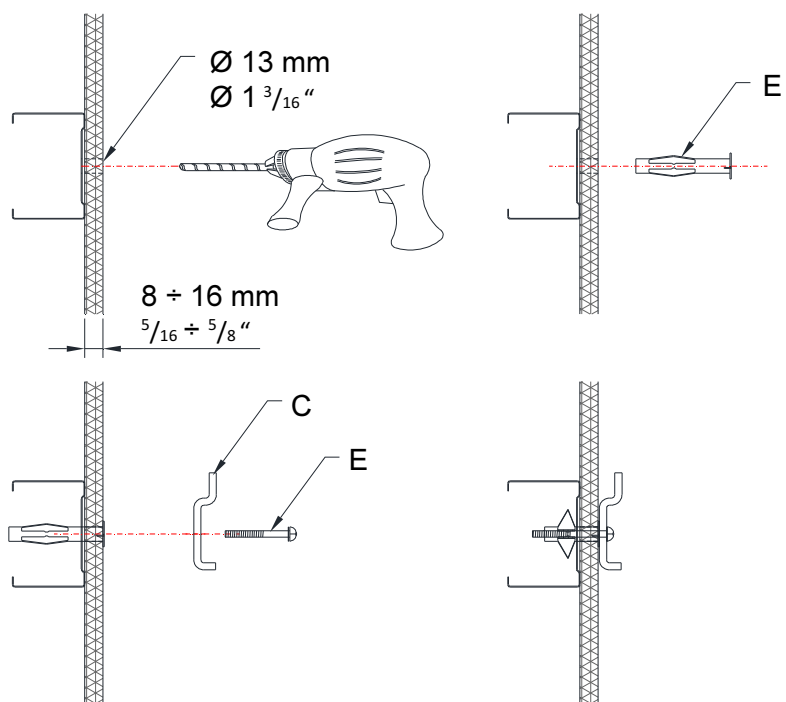
1. Apply bar hanger 'C' to the wall. While doing so, use level to make sure that it is applied straight. The aim of the bar hanger, is to secure the unit from accidental overturn. Apply the mounting batten to the wall and level it. At the height of 820 mm, mark the perforation spots (for screws or pegs).



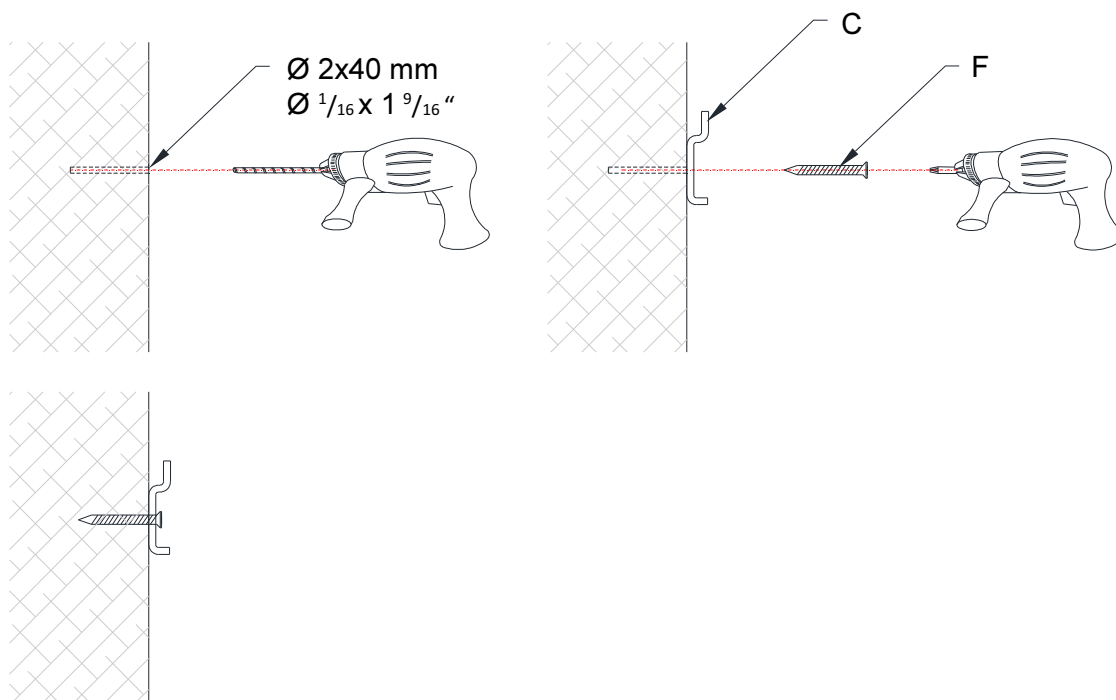
a. Uniform hard surface (e.g. concrete, brick)



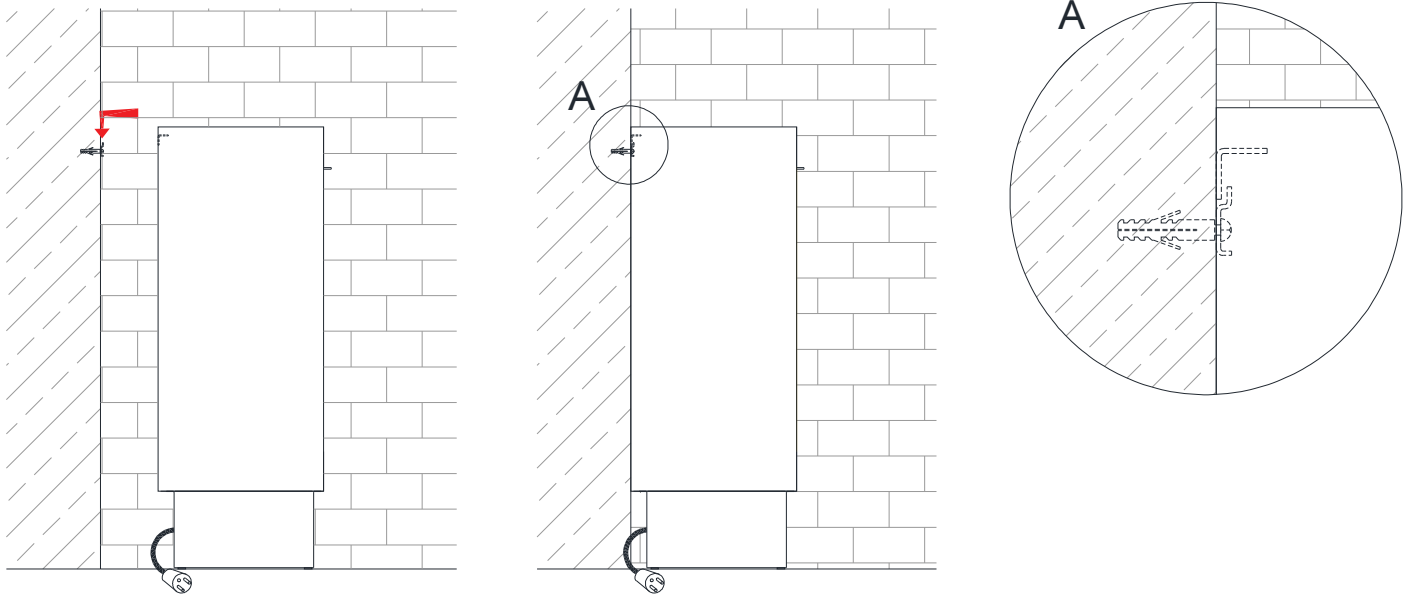
b. The surface of the plasterboard.



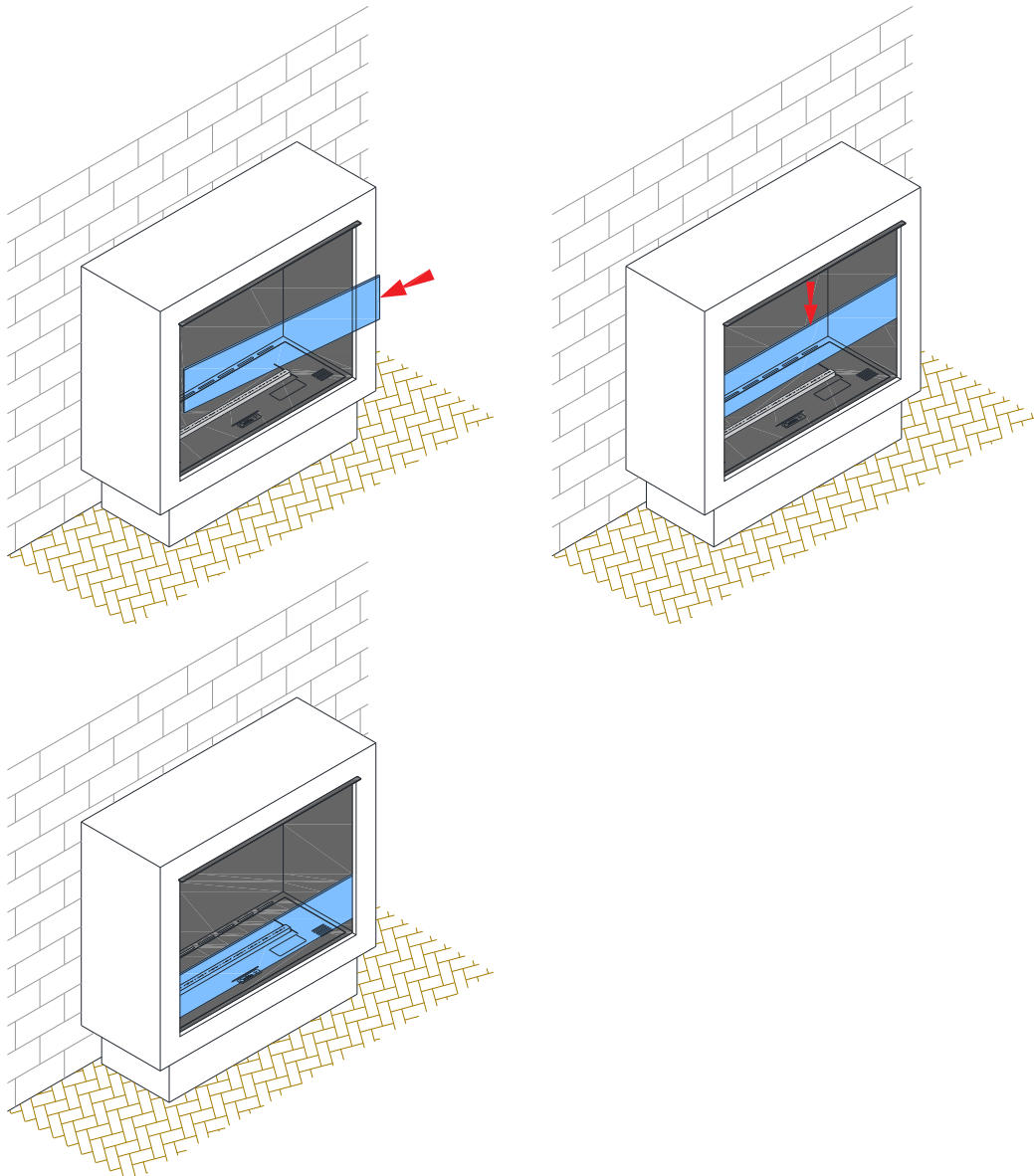
c. The surface of the wood.




2. Installation.



3. Tempered glass installation. Tempered glass installation is optional.



WARNING !!!

- Make sure that the product has been correctly installed and read the attached instruction manual.
- You are not allowed to fill the fuel tank and start the device before having read the instruction manual.
- If in the future it is necessary to take the device out of the housing, wait until the fuel has burned-up completely and the display shows  , disconnect the power supply and take the device out of the housing.
- Keep this instruction manual throughout the lifetime of the device.