



INSTRUCTIONS



NEW PROPUR™ PROMAX™ UNDER COUNTER SYSTEM

FOR TECHNICAL SUPPORT PLEASE CALL

1-800-544-3533

OR email:

customerservice@propurusa.com



NEW PROPUR™ UNDER COUNTER SYSTEM WITH PROMAX™ FILTER TECHNOLOGY

Model PMC-4000



Designed to fit under sink, in a basement or other location where the temperature does NOT fall below freezing as damage could result. No power required. For use with cold potable water only.

READ COMPLETELY BEFORE INSTALLING OR USE.

Package Contents

1. Filter housing with quick connect push fittings attached and filter cartridge installed
2. Faucet/ hardware kit with connecting tube

Tools and Hardware

Depending on the installation the following tools and hardware may be required:

Philips screw driver, plastic tube cutter, 1/2" hole cutter/ drill bit for counter top faucet, 3/8" drill motor, wrench and line piercing, needle/ saddle valve for 3/8" tubing, and Teflon tape.



CAUTION: Before beginning the installation, turn OFF the cold water supply under your sink or your house supply at the meter. Open the cold water faucet to release any water pressure.



WARNING: Do not use water source that is microbiologically unsafe or of unknown quality without adequate disinfection before or after the system. For specific health requirements, consult your healthcare professional.

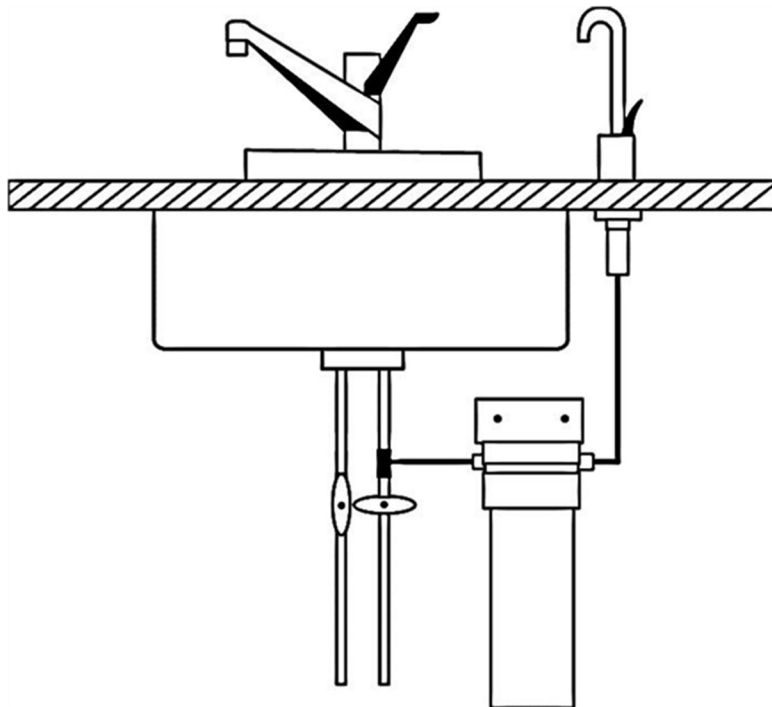
Basic Installation

Step 1 - Install Filter Housing

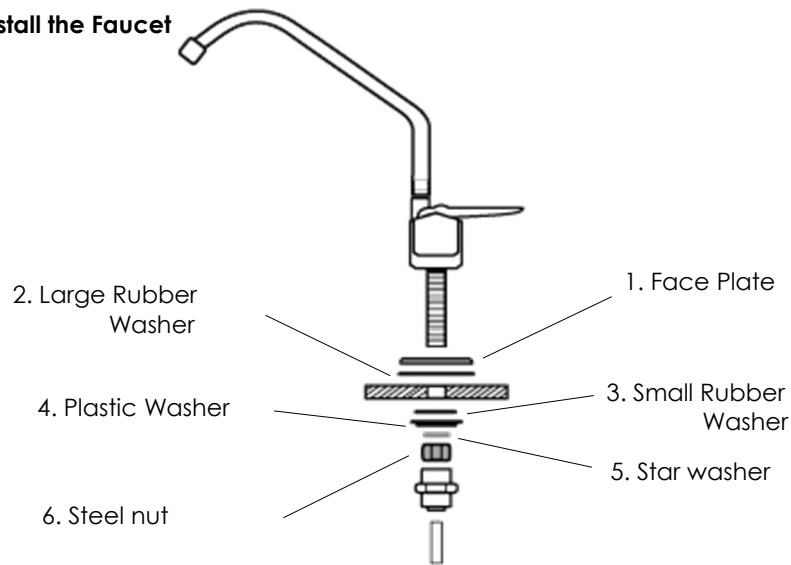
1. Select a suitable location for the filter housing under the sink.
NOTE: location should be reasonably accessible for filter replacement.
When mounting housing to cabinet, make sure to leave enough space below sump/filter housing for removal of sump (min. 2 inches) for maintenance and filter replacement.
DO NOT INSTALL where temperatures fall below freezing as damage to the system will occur.
2. Install the filter bracket (white steel) on the filter head (white plastic) using the four (4) small screws.
NOTE: The flow arrow and inlet/outlet are embossed on the top of the white plastic head.
3. Secure the bracket with the filter housing assembly to the side of the sink cabinet in the desired location with the two (2) self-tapping screws.

Step 2 - Install Line Piercing Needle/Saddle Valve (Not Included)

1. Make sure your cold water supply has been turned off. If there is no valve, turn off the water supply to your house at the main meter.
2. Attach the line piercing needle/saddle valve per instructions to the cold water line going to your sink faucet.
NOTE: Do NOT turn the cold water line back on yet, as water will flow directly out of the valve and flood your kitchen.



Step 3 - Install the Faucet



1. Select a suitable location for the drinking water faucet as close to the sink as possible allowing convenient space under the sink for assembly. The spout of the faucet should be able to reach the sink. A 2" flat area is required to mount the faucet. Check for clearance then drill the sink top with a 1/2" bit to accommodate the faucet inlet pipe.
2. Install the faucet through the sink top by:
 - a. Add the face plate and large rubber washer to the faucet stem.
 - b. Insert the faucet stem through the sink.
 - c. Place small rubber washer, plastic washer, star washer and steel nut onto the faucet stem. Tighten firmly with a wrench.
 - d. Attach the quick connect connector to the threaded stem of the faucet using Teflon tape.

Step 4 - Install Connecting Tube

Prepare two pieces of the 3/8" plastic tubing supplied to fit between the plastic quick connect push fittings for:

- a. The line piercing valve and the filter head inlet (1.2). Cut plastic tubing to fit from the needle valve to inlet on the filter housing. Add additional 1-1/2" to tubing length as tubing will travel about 3/4" into each fitting to seat properly. The filter head outlet and the faucet. Add additional 1-1/2" inches to tubing into inlet quick connect push in fitting on filter housing.
- b. The filter head outlet (1.2) and the faucet. Add additional 1-1/2" to tubing length as the tubing will travel about 3/4" into each fitting to seat properly. Insert one end of plastic tubing into outlet quick connection push in fitting on filter housing and the other end into the quick connect push in fitting on the faucet.

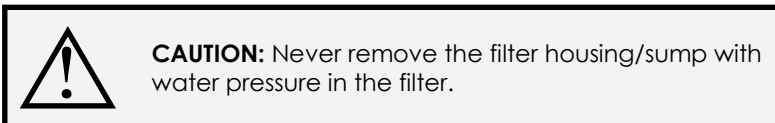
Seat the tubing firmly into the push in quick connectors fittings.

Step 5 - Filter cartridge is pre-installed at the factory.

Step 6 - Start-up

1. Make sure needles/saddle valve is ready for use.
2. Open the faucet fully by lifting the black lever to its vertical position to allow trapped air and water to flow out of the system. Make sure spout is positioned over the sink.
3. Slowly turn on your cold water supply valve under your sink or your house supply at the meter.
4. Water should start flowing out of faucet. Look at the installation to make sure there is no water leaking for any of the fittings, tubing or housing.
5. Allow water to flow for about three minutes to flush out the system before using the water. Some residual particles may be expelled during the flush; this is normal.
6. Return black lever to off position.
7. **Your system is now ready for use.**

Step 7 - How to Replace the Filter Cartridge



1. Turn off the line piercing needle/saddle valve. Turn on the faucet to release any pressure.
2. Slowly unscrew the filter housing (1.1), which will be full of water, from the filter head (1.2).
3. Drain water from the filter housing/sump over sink and remove filter cartridge by gently pulling it out from the housing. Make sure inside of sump is clean. OK to wash with warm soapy water and rinse well.
4. Insert new filter cartridge into housing. Make sure cartridge end with washer is installed facing upward in housing. Screw housing back onto filter head securely. Hand tighten, firmly being careful not to cross thread.
5. Proceed to **Step 6 - Start Up** and follow instructions.

ProMax™ Under Counter System Specifications

Type of installation: Under counter
Maximum Working Pressure: 860 Kpa (125 psig)
NOTE: Should your water pressure exceed 80 psig, install a pressure reducing valve before installing the system
Minimum Working Pressure: 137 Kpa (20 psig)
Maximum Working Temperature: 38° C (100° F)
Minimum Working Temperature: 5° C (41° F)
Recommended Flow Rate: 0.2 – 1.0 gpm
Contaminant Reduction: Refer to Lab Report
Filter Life Expectancy: Up to 1 year
Replacement filter: PCT3RF

FAQ's

1. How do I know when to replace my filter cartridge?
When the flow rate diminishes.
When you notice a change in taste or odor.
Approaching a years' usage.
2. What if I don't use the system for an extended period of time?
We recommend you drain your system and remove the filter element.
When ready to use, just reinstall the filter and flush for about 3 minutes before use.
3. How long will my filter last before needing to be replaced?
The actual life expectancy of your filter will vary depending on the specific chemistry and level of contaminants present in your water source.
We recommend you replace your filter every 9-12 months.



ProMax™
FILTER TECHNOLOGY™

Shower Filter
Counter Top
Under Counter
Whole House
Filtration Systems

PROPUR™ LIMITED WARRANTY

Lincoln-Remi Group, LLC d/b/a Propur ("PP") sells its products with the intent that they are free from defects. PP warrants to the original retail purchaser/consumer that its products will be free of defects in material and workmanship under normal use for a period one (1) year for the Propur™ Under Counter and 9 months for the ProMax™ filter cartridge (Warranty Period"). PP will replace or repair any product, at its sole discretion, during the Warranty Period. Any damage caused by misuse or abuse; accident; improper installation; dropped product; failure to provide recommended maintenance; transportation damage; neglect; environmental conditions; or any other conditions whatsoever that are beyond the control of PP are excluded from this warranty. This express limited warranty shall be the sole and exclusive warranty. **ALL OTHER WARRANTIES, WHETHER EXPRESS OR IMPLIED, INCLUDING BUT NOT LIMITED TO, ANY IMPLIED WARRANTIES OF MERCHANTABILITY, FITNESS OR FITNESS FOR ANY PARTICULAR PURPOSE OR ANY OTHER POTENTIAL OBLIGATION ON THE PART OF PP WITH RESPECT TO PRODUCTS SOLD BY PP ARE DISCLAIMED. EXCEPT FOR ANY EXPRESS WARRANTIES, ALL PROPUR PRODUCTS ARE SOLD "AS-IS"**. PP shall not be held liable for any incidental, consequential or special damages of any sort whatsoever. The liability of PP is limited to the original retail purchaser and to the repair or replacement of defective parts during the Warranty Period. No refunds will be given at any time. The liability of PP terminates upon the expiration of the Warranty Period or transfer of product ownership. To obtain warranty service on your Propur product, mail the product with your dated sales receipt as proof of purchase, postpaid, to the following address:

Propur, 1200 Benstein Rd, Commerce Twp, MI 48390. NO C.O.D.'s

This warranty provides you with specific legal rights. You may have additional rights which may vary from country to country. Because of individual country laws and regulations, some of the above limitations and exclusions may not apply to you.

V08092016