

V-3000 Pneumatic Valve Actuator

The V-3000 Series Pneumatic Valve Actuators are designed to accurately position steam or water valve modulating plugs in response to a pneumatic signal from a controller. A V-9502 Valve Positioner can be ordered separately for use on the exposed model only in applications where sequential operation is desired or additional positioning power is necessary; refer to the Specifications Table for ordering information.

Construction

The actuator has a molded synthetic rubber diaphragm design. This molded diaphragm provides a constant effective area throughout the valve stem stroke. All parts are protected by a sturdy die cast aluminum housing. The actuator assembly can be removed or repositioned by loosening a single set screw without disturbing the rest of the valve assembly.

Operation

With no control air pressure applied to the diaphragm, the valve is in the normal position. Spring and fluid forces in the valve combine to balance against the diaphragm pressure. Reducing the air pressure permits the valve spring to return the valve plug to its normal position.

Mounting

The actuator is easily field mounted to the valve bonnet with a single set screw. The V-9502 Valve Positioner can also be factory mounted on these units. The actuator is not used with VG7000 series valves.



Fig. 1: V-3000-1 Actuator

Specifications

Product	V-3000 Pneumatic Valve Actuator	
Model	V-3000-1	Exposed
Max Control Pressure	30 PSIG (70 kPa)	
Air Connection	1/8 in. NPT Barbed Fitting for 5/32 in. O.D. Poly tubing	
Ambient Operating Temperature Limits	-20 to 150°F (-29 to 66°C)	
Max Storage Temperature	150°F (66°C)	
Materials	Housing	Die Cast Aluminum
	Diaphragm	Synthetic Rubber
Accessories for Exposed Model Only (Order Separately)	V-9502-15 Valve Positioner	
Shipping Weight	V-3000-1	0.9 lb (.40 kg)

The performance specifications are nominal and conform to acceptable industry standards. For application at conditions beyond these specification, consult the local Johnson Controls office. Johnson Controls shall not be liable for damages resulting from misapplication or misuse of its products.

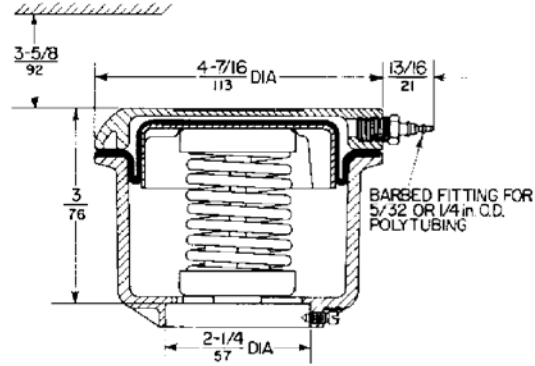


Fig. 2: Exposed V-3000 Actuator

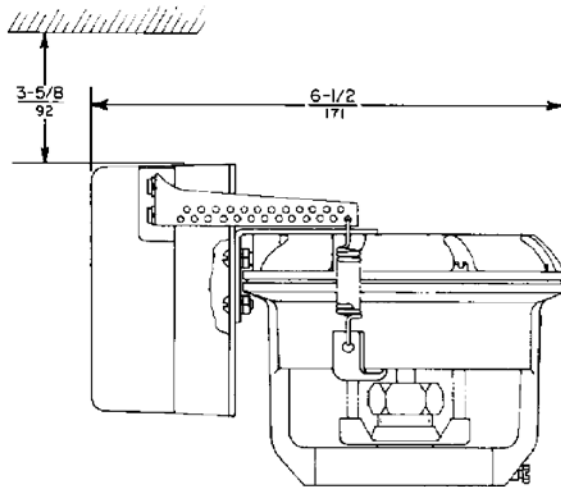
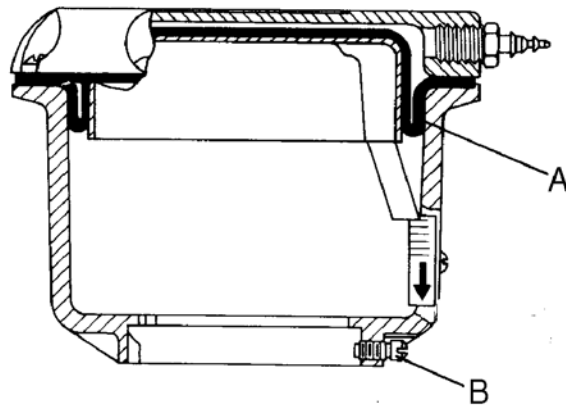


Fig. 3: Exposed V-3000 Actuator with V-9502 Valve Positioner

Dimensions in./mm



Exposed Actuator

Fig. 4: V-3000 Series Pneumatic Valve Actuators

Table 1: Repair Parts

Item	Description	Shipping Weight lb.*	Code Number
A	Diaphragm: Exposed Actuator	.06	V-3000-600
B	Set Screw	.01	V-3100-6043

*lb. x 0.454 = kg

European Single Point of Contact:

JOHNSON CONTROLS
 WESTENDHOF 3
 45143 ESSEN
 GERMANY

NA/SA Single Point of Contact:

JOHNSON CONTROLS
 507 E MICHIGAN ST
 MILWAUKEE WI 53202
 USA

APAC Single Point of Contact:

JOHNSON CONTROLS
 C/O CONTROLS PRODUCT
 MANAGEMENT
 NO. 22 BLOCK D NEW DISTRICT
 WUXI JIANGSU PROVINCE 214142
 CHINA