

Overview

The EasyIO-DEM-5 provides five digital Inputs using a specific resistor-to-resistor network connected to Universal Input. The EasyIO-DEM-5 expander allows a single universal input (with capability to measure resistance between 700 Ohm to 1600 Ohm) to monitor the status of up to five dry contacts.

Digital Expansion Module - 5 Channel



Features:

- 24VAC or 24DC power supply input.

- Status Indicator

Built-in power and input LEDs indication and diagnostic purpose.

- Jumper

Built-in internal jumpers for easy diagnostic.

- Relay Drive

External dry contact is driven by relay supports higher impedance load.

- Ease of Installation

All I/Os are connected via field removable terminal block connectors for easy maintenance. The controller casing fits standard DIN rail mounting.

Device Specifications

Electrical

Power Supply: 24VAC, 1.2VA max, or 22 ~ 26VDC

Consumption: 50mA max @ 24VDC

Operating Temperature: 32° to 150° F (0° to 65° C)

Storage Temperature: -4° to 150° F (-20° to 65° C)

Operating Humidity: 10% to 95% relative humidity non-condensing

Input/Output Configuration

Universal Output:

- 1 Channel

- Resistance: 700 – 1600 Ohm Normal Operation Range

Digital Input:

- 5 Channels

- Type: Voltage Free

- Limit: +24Vdc at 500Ohm Resistance maximum

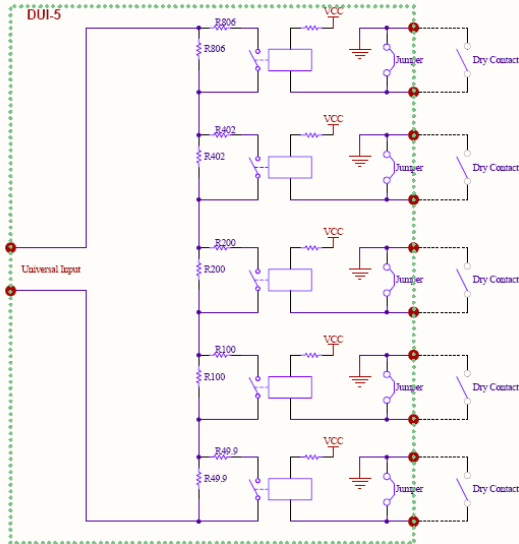
Mechanical:

- Dimension: 126mm x 73mm x 28mm

- Material: UL94 ABS

- Weight:

Equivalent Circuit



Wiring & Jumpers



DI1	DI2	DI3	DI4	DI5	Nom	Min	Max
Over-Range					> 1596	1563	-
0	0	0	0	0	1557.9	1552.9	1562.9
0	0	0	0	1	1533.0	1528.0	1538.0
0	0	0	1	0	1507.9	1502.9	1512.9
0	0	0	1	1	1483.0	1478.0	1488.0
0	0	1	0	0	1457.9	1452.9	1462.9
0	0	1	0	1	1433.0	1428.0	1438.0
0	0	1	1	0	1407.9	1402.9	1412.9
0	0	1	1	1	1383.0	1378.0	1388.0
0	1	0	0	0	1356.9	1351.9	1361.9
0	1	0	0	1	1332.0	1327.0	1337.0
0	1	0	1	0	1306.9	1301.9	1311.9
0	1	0	1	1	1282.0	1277.0	1287.0
0	1	1	0	0	1256.9	1251.9	1261.9
0	1	1	0	1	1232.0	1227.0	1237.0
0	1	1	1	0	1206.9	1201.9	1211.9
0	1	1	1	1	1182.0	1177.0	1187.0
1	0	0	0	0	1154.9	1149.9	1159.9
1	0	0	0	1	1130.0	1125.0	1135.0
1	0	0	1	0	1104.9	1099.9	1109.9
1	0	0	1	1	1080.0	1075.0	1085.0
1	0	1	0	0	1054.9	1049.9	1059.9
1	0	1	0	1	1030.0	1025.0	1035.0
1	0	1	1	0	1004.9	999.9	1009.9
1	0	1	1	1	980.0	975.0	985.0
1	1	0	0	0	953.9	948.9	958.9
1	1	0	0	1	929.0	924.0	934.0
1	1	0	1	0	903.9	898.9	908.9
1	1	0	1	1	879.0	874.0	884.0
1	1	1	0	0	853.9	848.9	858.9
1	1	1	0	1	829.0	824.0	834.0
1	1	1	1	0	803.9	798.9	808.9
1	1	1	1	1	779.0	774.0	784.0
Under Range					< 741	0	773.9

DI logic: 0 = Switch Open, 1 = Switch Closed

www.infocon-technology.com

Singapore
 101 Cecil Street, #10-11
 Tong Eng Building, Singapore 069533
 +65.6.887.5154 Phone
 +65.6.887.5342 Fax

Malaysia
 32-3 Jalan Puteri 2/4, Bandar Puteri,
 47100 Puchong, Selangor D.E, Malaysia
 +60.3.8063.7571 Phone
 +60.3.8063.7572 Fax