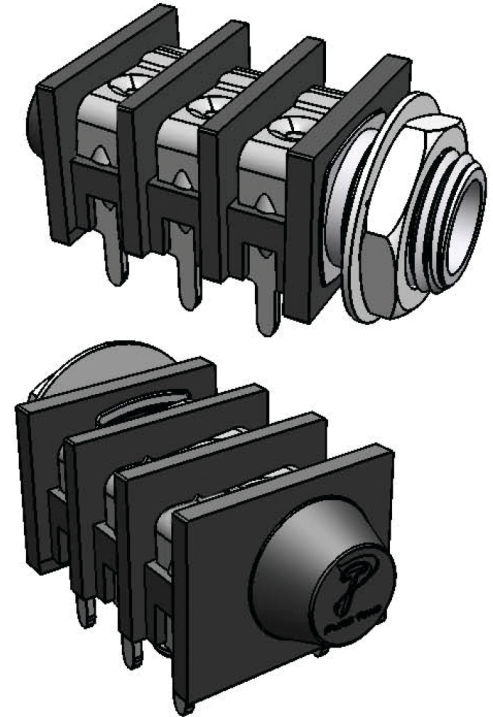
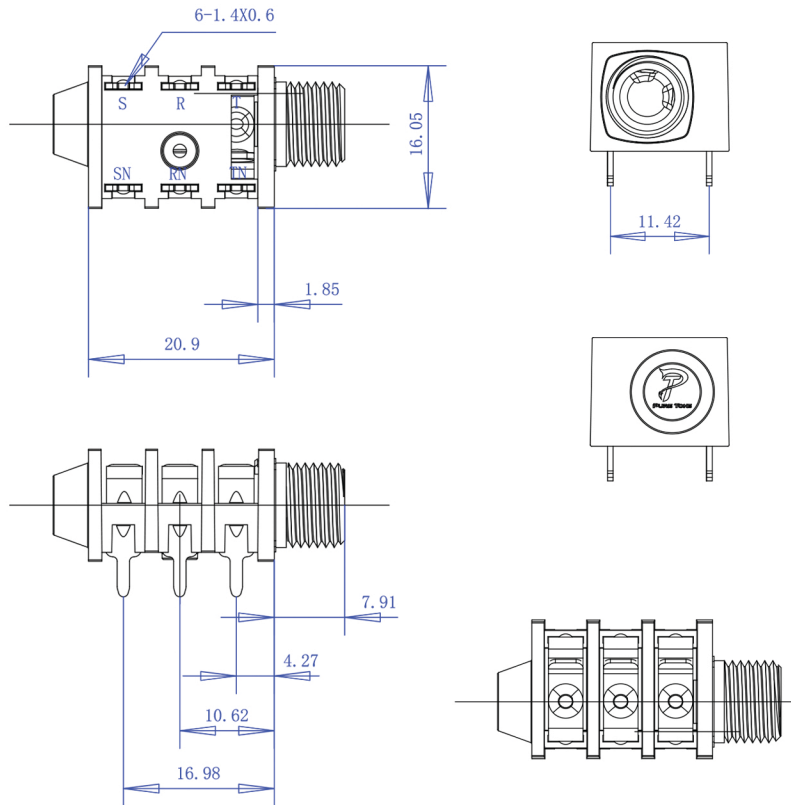


QTY.	PART NUMBER	REV.	DESCRIPTION	MATERIAL	STOCK SIZE/VENDOR	REVISIONS			
						REV.	DESCRIPTION	DATE	APP
1	PTT-005P-1000		INJECTION MOLDED JACK HOUSING	ABS		01	INITIAL DESIGN	07/07/17	
1	PTT-005P-1001	01	THREADED BARREL	COPPER ALLOY, NICKEL PLATED					
3	PTT-005P-1002		CONTACT A	COPPER ALLOY, NICKEL PLATED					
3	PTT-005P-1003		CONTACT B	COPPER ALLOY, NICKEL PLATED					
1	PTT-005P-1006	01	MOUNTING WASHER	STEEL, NICKEL PLATED					
1	PTT-005P-1007	01	HEX NUT	COPPER ALLOY, NICKEL PLATED					
1	91772A106		Self tapping screw						



**NOTES:**

1. MANUFACTURE ACCORDING TO ELECTRONIC PROFILE UNLESS OTHERWISE SPECIFIED. THIS DRAWING IS A GUIDE TO ILLUSTRATE THE DESIRED PRODUCT CONFIGURATION. MANUFACTURER SHOULD REVIEW DESIGN AND MAKE SUGGESTIONS AND IMPROVEMENTS WHERE NECESSARY IN ORDER TO MAXIMIZE EFFICIENT PRODUCTION AND MINIMIZE COST.
- 2.



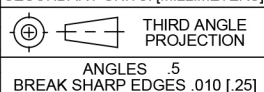
PURE TONE.

PURE TONE TECHNOLOGIES, INC.

TOLERANCES UNLESS OTHERWISE NOTED

DIM	INCH	MM
.X	.025	.6
.XX	.010	.25
.XXX	.005	.13

PRIMARY UNITS: INCHES  
SECONDARY UNITS: [MILLIMETERS]



PROJECT

THIS DOCUMENT CONTAINS INFORMATION PROPRIETARY TO: PURE TONE TECHNOLOGIES, INC. NO PART MAY BE REPRODUCED, USED IN ANY FORM, OR STORED ELECTRONICALLY WITHOUT EXPRESSED WRITTEN PERMISSION.

DESCRIPTION:

**PTT6G PC BOARD MOUNTED JACK**

DRAWN BY:

PART NUMBER:

**PTT6G**

DRAWN DATE: 07/07/2017

SCALE: 2.5:1

PAGE 1 OF 1

REV. 01