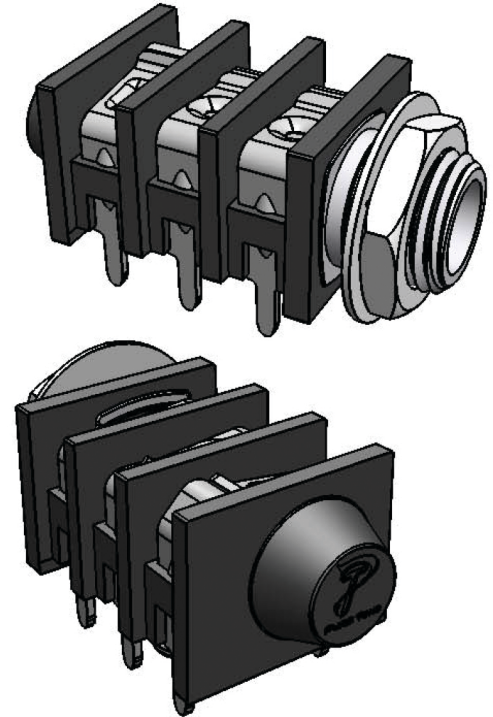
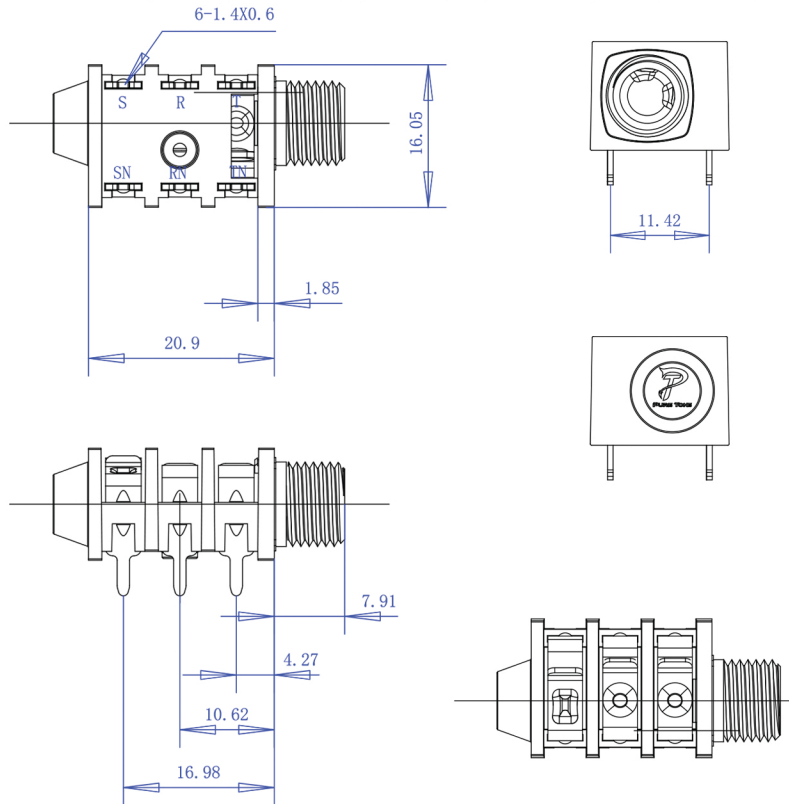


QTY.	PART NUMBER	REV.	DESCRIPTION	MATERIAL	STOCK SIZE/VENDOR	REVISIONS			
						REV.	DESCRIPTION	DATE	APP
1	PTT-005P-1000		INJECTION MOLDED JACK HOUSING	ABS		01	INITIAL DESIGN	07/07/17	
1	PTT-005P-1001	01	THREADED BARREL	COPPER ALLOY, NICKEL PLATED					
2	PTT-005P-1002		CONTACT A	COPPER ALLOY, NICKEL PLATED					
2	PTT-005P-1003		CONTACT B	COPPER ALLOY, NICKEL PLATED					
1	PTT-005P-1004		CONTACT C	COPPER ALLOY, NICKEL PLATED					
1	PTT-005P-1005		CONTACT D	COPPER ALLOY, NICKEL PLATED					
1	PTT-005P-1006	01	MOUNTING WASHER	STEEL, NICKEL PLATED					
1	PTT-005P-1007	01	HEX NUT	COPPER ALLOY, NICKEL PLATED					
1	91772A106		Self tapping screw						



NOTES:

1. MANUFACTURE ACCORDING TO ELECTRONIC PROFILE UNLESS OTHERWISE SPECIFIED.
2. THIS DRAWING IS A GUIDE TO ILLUSTRATE THE DESIRED PRODUCT CONFIGURATION. MANUFACTURER SHOULD REVIEW DESIGN AND MAKE SUGGESTIONS AND IMPROVEMENTS WHERE NECESSARY IN ORDER TO MAXIMIZE EFFICIENT PRODUCTION AND MINIMIZE COST.



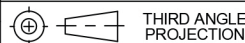
PURE TONE

PURE TONE TECHNOLOGIES, INC.

TOLERANCES UNLESS OTHERWISE NOTED

DIM	INCH	MM
.X	.025	.6
.XX	.010	.25
.XXX	.005	.13

PRIMARY UNITS: INCHES
SECONDARY UNITS: (MILLIMETERS)



THIRD ANGLE PROJECTION

ANGLES .5
BREAK SHARP EDGES .010 [.25]

PROJECT

THIS DOCUMENT CONTAINS INFORMATION PROPRIETARY TO: PURE TONE TECHNOLOGIES, INC. NO PART MAY BE REPRODUCED, USED IN ANY FORM, OR STORED ELECTRONICALLY WITHOUT EXPRESSED WRITTEN PERMISSION.

DESCRIPTION:

**PTT6GS SWITCHED
PC BOARD MOUNTED JACK**

DRAWN BY:

PART NUMBER:

PTT6GS

DRAWN DATE: 07/07/2017

SCALE: 2.5:1

PAGE 1 OF 1

REV. 01