

DISCLAIMER OF WARRANTY

This motorcycle is sold "as is" with all faults, obvious or not. There are no warranties expressed or implied, including any warranty of merchantability and warranty of fitness for any particular purpose.

"WARNING"

THE COBRA CX65 IS A COMPETITION MODEL ONLY AND IS NOT MANUFACTURED FOR, NOR SHOULD IT BE USED ON PUBLIC STREETS, ROADS OR HIGHWAYS.

THE USE OF THIS BIKE SHOULD BE LIMITED TO PARTICIPATION IN SANCTIONED COMPETITION EVENTS UPON A CLOSED COURSE BY A SUFFICIENTLY SKILLED RIDER AND SHOULD NOT BE USED FOR GENERAL OFF-ROAD RECREATIONAL RIDING.

IMPROPER USE OF THIS MOTORCYCLE CAN CAUSE INJURY OR DEATH.

THIS BIKE IS INTENDED FOR EXPERIENCED RACERS ONLY AND NOT FOR BEGINNERS.

IT IS YOUR RESPONSIBILITY AS THE OWNER OF THIS COBRA MOTORCYCLE OR AS THE PARENT, OR LEGAL GUARDIAN OF THE OPERATOR, TO KEEP THIS COBRA MOTORCYCLE IN PROPER OPERATING CONDITION.

THIS BIKE WAS DESIGNED FOR RIDERS THAT WEIGH LESS THAN 110 LBS WITH FULL RIDING GEAR AND SHOULD NOT BE OPERATED BY RIDERS THAT WEIGH MORE THAN THAT.

BE SURE THAT THE RIDER ALWAYS WEARS ADEQUATE SAFETY GEAR EVERYTIME HE OR SHE RIDES THEIR COBRA MOTORCYCLE.

IMPORTANT SAFETY NOTICE

WARNING

Failure to follow WARNING instructions could result in severe injury or death to the machine operator, a bystander, or a person inspecting or repairing the machine.

CAUTION:

A CAUTION indicates special precautions that must be taken to avoid damage to the machine.

NOTE:

A NOTE provides key information to make procedures easier or clearer.

MCC62014.V1

Table of Contents

GENERAL INFORMATION	4
SPECIFICATIONS - GENERAL.....	4
OPTIONAL COMPONENTS	5
SPECIFICATIONS - TORQUE VALUES.....	5
BREAK-IN PROCEDURE	6
STARTING PROCEDURE	6
MAINTENANCE	7
TIPS	7
SCHEDULE.....	8
REPLACING TRANSMISSION / CLUTCH LUBRICANT	9
CHAIN ADJUSTMENT	10
AIR FILTER CLEANING.....	11
FORK MAINTENANCE.....	11
<i>Fork Air Bleeding</i>	12
<i>Fork Oil Replacement</i>	12
IGNITION TIMING	14
CABLE TIES.....	14
PARTS.....	16
PARTS – AIRBOX & INLET SYSTEM	16
PARTS – BARS AND CONTROLS	17
PARTS - CARBURETOR	18
PARTS – CLUTCH – MASTER CYLINDER.....	19
PARTS – COOLANT SYSTEM	20
PARTS – ELECTRICAL SYSTEM	21
PARTS – ENGINE CLUTCH	22
PARTS – ENGINE – CLUTCH / KICK COVER	23
PARTS – ENGINE – IGNITION SIDE.....	24
PARTS – ENGINE – KICK MECHANISM.....	25
PARTS – ENGINE – SHIFT MECHANISM.....	26
PARTS – ENGINE – TOP END	27
PARTS – ENGINE – POWER VALVE	28
PARTS – ENGINE – TRANSMISSION.....	29
PARTS – EXHAUST SYSTEM.....	30
PARTS – FORKS & TRIPLE CLAMPS	31
PARTS – FORK – LEG ASSEMBLY – BRAKE SIDE	32
PARTS – FORK – LEG ASSEMBLY – NON-BRAKE SIDE	33

PARTS – FRAME	34
PARTS – FRONT WHEEL	35
PARTS – FRONT BRAKES – MASTER CYLINDER	36
PARTS – FRONT BRAKES – CALIPER.....	37
PARTS – BODYWORK	38
PARTS – REAR BRAKE.....	39
PARTS – REAR WHEEL	40
PARTS – SHOCK EXTERNAL	41
PARTS – SHOCK – INTERNAL.....	42
PARTS – SWINGARM ASSEMBLY	43
SERVICE	44
ENGINE SERVICE.....	44
<i>Base Gasket Selection</i>	45
<i>Power Valve</i>	47
EXHAUST	48
FUEL & AIR SYSTEM.....	48
CARBURETOR:.....	48
REAR SHOCK.....	50
BRAKES	50
<i>Rear Brakes</i>	50
<i>Front Brakes</i>	51
FRONT WHEEL	52
<i>Assembly</i>	52
TUNING	53
GEARING.....	53
SUSPENSION	54
<i>Adjustment:</i>	54
<i>Front Fork Operation</i>	54
<i>Fork Damping Adjustments</i>	55
<i>Rear Shock Adjustments</i>	56
CARBURETOR.....	57
TROUBLESHOOTING	60
INDEX.....	62

General Information

Specifications - General

Items	CX65
Dimensions Wheelbase Wheel size Seat height	40.9" (1040mm) 12" (305mm) rear, 14" (356mm) front 29.9" (760mm)
Engine Type Cooling system Coolant Displacement Bore and stroke Ignition system Spark plug Gap Ignition timing Fuel type Premix Oil type Premix oil ratio after break-in Carburetion Main Jet / Slow (Pilot) Jet Needle Float Height	2-stroke, single cylinder, reed valve Liquid-cooled 50/50 antifreeze-coolant / distilled water 64.9 cc 44.5 mm x 41.7 mm Electronic, digital advance Autolite 4063 or XS4063 0.024" – 0.026" (0.60 – 0.65 mm) Digital advance (set at "0" timing mark) High octane pump gasoline <i>Bel-Ray H1-R</i> 40:1 – 50:1 26 mm VM Mikuni 280 / 42.5 5I 14 - 4 21.1 ± 1.0
Transmission Final drive ratio Chain Transmission / clutch oil type Quantity	6 speed 14/45 116 links 420 Quality gear lubricant, or Cobra clutch milk Do Not Run Automotive Motor Oil 530 ml (18.0oz)
Chassis Front tire Rear tire Front fork Fork oil type Fork oil amount Adjustments (turns out) Rear shock (clicks out)	60/100 – 14 80/100 – 12 CARD 37mm USD, Fully adjustable SAE 2.5 WT 250 ml (8.5oz) Compression 5/8, Rebound 2 1/2, Bottoming 2 3/4 Compression Low 9, High 8, Rebound 26 Race sag 87mm



Optional Components

Weight of Rider (lb)	Fork Spring	Shock Spring
less than 70 lb	0.24 kg/mm KCC63724	42 N/MM (240 lb/in) SCC60240P (white)
75-85 lb	0.26 kg/mm KCC63726	45 N/MM (260 lb/in) SCC60260PY stock (yellow)
85-100 lb	0.28 kg/mm KCC63728	49 N/MM (280 lb/in) SCC60280PG (gold)
Greater than 100		53 N/MM (300 lb/in) SCEX1300 (red)

Specifications - Torque Values

Fastener	Torque Value			Size & Remarks
	ft-lb	in-lb	Nm	
Cylinder head nuts	9	110	12	M6 x 1.0
Cylinder nuts	22	265	30	M8 x 1.25**
Crankcase bolts	9	110	12	M6 x 1.0
PV Jam Nut	6	72	8	M6 x 1.0**
PV Cap Screws	3	35	4	M5 x 0.8
Exhaust Flange	5	60	6	M6 x 1.0
Spark plug	(SP)	(SP)	(SP)	M14 x 1.25
Stator bolts	2.1	25	2.8	M5 X 0.8
Stator cover bolts	1.7	20	2.3	M4 X 0.75
Clutch cover bolts	5.8	70	7.9	M6 X 1.0
Clutch nut	40	480	54	M10 x 1.25
Front axle bolt	33	400	45	M20 x 1.0
Front axle pinch bolt	8.8	106	12	M6 X 1.0
Front brake rotor	7.4	88.5	10	M6 x 1.0
Engine mount bolts	22	265	30	M8 X 1.25
Swingarm pivot	21	250	28	M12 X 1.5
Intake manifold bolts	4.6	55	6.2	M6 X 1.0
Rear axle	25	300	34	M14 X 1.5
Rear sprocket	20	240	27	M8 X 1.25
Rear brake rotor	7.4	88.5	10	M6 x 1.0
Triple clamp (top)	9	108	12	M6 x 1.0
Triple clamp (bottom)	6	72	8	M6 x 1.0
Fork cap	15	177	20	
Fork Damper Nut	11	133	15	
Ignition rotor nut	33	400	45	M10 x 1.25*

* Apply high strength thread locking agent when installing

** Use a 'crows foot' attachment oriented 90° to the torque wrench

(SP) To apply the proper torque to the spark plug when inserting, one must first screw the spark plug in until the metal gasket ring causes resistance and then turn another 1/8 to 1/4 turn.

Break-In Procedure

Your Cobra CX65 is a close-tolerance high performance machine and break-in time is very important for maximum life and performance. The CX65 can be ridden hard after the first ½ hour break-in time.

Cobra recommends *Bel-Ray H1-R* premix oil with high octane pump gas mixed at 40:1.

CAUTION:

Failure to use proper fuel, oil, or fuel/oil mixture may result in premature engine wear or damage to the machine.

Adhering to the following break-in schedule will result in long lasting high performance machine.

- Start bike on stand
- First 5 minute period, operate the bike on the stand with a combination of idle and high RPM operation. (avoid prolonged high RPM but spin the rear wheel good at least once or twice per minute)
- Allow bike to cool
- Ride for 15 minutes maximum (avoid prolonged high RPM operation and avoid abusing the clutch).
- Cool and inspect bike for loose fasteners.
- Check & retighten wheel spokes
- Next ½ hour of operation, avoid prolonged operation at Wide Open Throttle.
- After 1 hour of operation
 - Check for loose bolts and nuts on the bike and retighten as necessary (proper torque values are listed under Specifications).
 - Clean the carburetor bowl.
 - Change the transmission / clutch lubricant.
- After 8 hours of operation
 - Change the fork oil.
 - Have a Certified Cobra Mechanic change the shock oil.
- Your bike is now ready for the highest level of competition!

Starting Procedure

Before starting the machine inspect the following:

- Check for proper tire pressure in both tires.
- Observe the chain tension and adjust if necessary.
- Observe the coolant level and fill if necessary.
- Verify that the chain rollers and sliders do not have improper wear.
- Verify that the handlebars are tight.
- Check the throttle for smooth operation and sound closing.
- Check for loose bolts and nuts, and re-torque as necessary.
- Verify that the air filter is clean and properly saturated with oil.

- Insure that the fuel tank contains an adequate volume of fuel / oil mixture to complete the distance required.
- Turn the fuel on by rotating the fuel petcock lever to the vertically downward position.

CAUTION:

For best results from your Cobra Motorcycle use only the recommended fuels. 'Race' fuels can be used, however, they are not required with the stock engine, and the engine will require addition attention to maintain proper jetting as weather condition change throughout the day.

⚠ WARNING

Always wear a helmet and other protective riding gear.

When your pre-ride inspection is complete the bike may be started. For a cold engine follow this procedure.

1. Place the motorcycle on a stand of sufficient strength that positions the motorcycle in a level upright position with the rear wheel off the ground.
2. Engage the choke by pulling out on the choke button until it stops.
3. Kick start the engine.
4. Rev the engine in short spurts, turning the throttle no more than 1/4 open until the engine will run without the choke.
5. Verify a functional engine shut-off switch by shutting off the engine.
6. Restart the engine and proceed with riding when the engine is sufficiently warm (i.e. the side of the cylinder is warm to touch).

CAUTION:

Never rev an engine full throttle when it's cold or slightly warmed up. This may lead to premature wear of engine components or complete cold seizure of the engine.

CAUTION:

Cobra recommends that you tell your child to take it easy the first couple of minutes in practice until the engine comes up to full operating temperature.

Maintenance

It is important that you adhere to this maintenance schedule so as to promote the longevity of your Cobra Motorcycle.

Tips

1. Cobra lubricants:
 - a. Use only high quality transmission oil designed specifically for two-stroke racing engines.
 - b. *Bel-Ray H1-R* oil is the recommended **premix oil**:

2. Fill your transmission only with the recommended amount of oil. Overfilling may lead to premature seal failure.
3. The cylinder base gasket has been 'fitted' for your engine. See the service section of this manual for instructions how to properly size a base gasket during an engine rebuild.
4. Evaluate the bikes jetting only after it has been warmed up to race temperatures.
5. A properly maintained machine is safer, faster, and more fun to ride.
6. New chains will stretch on first use. Never install a new chain prior to a race. Always 'break' them in during practice.
7. Your Cobra Motorcycle has a 10 digit VIN (Vehicle Identification Number). The first two digits indicate the model and the seventh indicates the model year (MY).
 - a. Example, CXxxxx7xxx is a 2007 MY CX65.

Schedule

- Prior to each ride
 - Check the air filter (clean and re-oil as necessary).
 - Insure the smooth operation of the throttle cable (throttle soundly 'clacks' shut).
 - Check for frayed strands of the throttle cable inside the throttle housing and replace if necessary.
 - Check for adequate tire pressures and adjust if necessary.
 - Check all nuts and bolts for proper torque and re-torque if necessary.
 - Check drive chain for
 - Proper tension and adjust if necessary.
 - Adequate lubrication and lubricate if necessary.
 - Insure that the ignition stator and rotor are clean and dry.
 - Check the frame for cracks in the metal or cracks in the paint that might indicate that the metal has been stressed beyond its safe limits. Replace or get properly re-welded as necessary.
 - Check the spokes for tightness and adjust if necessary.
 - Check the rims and hubs for signs of stress, like cracks around the rim, spokes and hub.
 - Equalize the pressure in the forks with atmosphere.
 - Check for adequate brake operation and pad thickness
- Every 2 hours of operation
 - Replace the transmission oil.
 - Check spoke tension
- Every 10 hours of operation
 - Replace the fork oil.
 - Have the shock oil replaced by a Certified Cobra Mechanic.
- Every 15 hours
 - Replace piston rings
 - Inspect piston for wear and cracks.
 - Clean the power valve (no adjustment necessary)
 - Inspect the power valve cable.

CAUTION:

If you ever need to weld anything on the bike, disconnect the spark plug cap, unplug the ignition, disconnect the kill switch, scrape the paint bare near the area to be welded and put the ground clamp as close to the area to be welded as possible.

⚠ WARNING

Be sure the fuel tank and carburetor have been removed and safely located away from the welding process.

The frame is a combination of HSLA steel and 4130 Chrome Moly and it is important to weld it with the proper rod and heat settings set as light as possible. Cobra recommends replacing the frame with a new one if the old one becomes damaged. Use ER70S6 filler if welding on the frame.

Replacing Transmission / Clutch Lubricant

Tools needed:

- 18 oz, of high quality transmission oil, or Cobra clutch milk
- 8 mm Allen wrench

CAUTION:

General automotive motor oil has frictional modifiers which will cause premature wear and failure of the clutch.

Procedure:

1. Begin this procedure with a bike that has been ridden more than 5 minutes but less than 10 minutes. It is desired to have the engine warm enough so that the oil is 'runny' but not so hot that there is risk of being burned by the engine or the oil.

⚠ WARNING

Hot oil and hot components on the motorcycle may cause burns.

2. Lean the bike against something or set on stand with oil drain hole.
3. Using a 8mm Allen wrench, remove the oil drain bolt located on the right side of the engine, on the clutch cover, near the brake lever (See Figure 1).

NOTE: You may need to adjust the brake pedal (up or down) to gain access to the drain bolt.

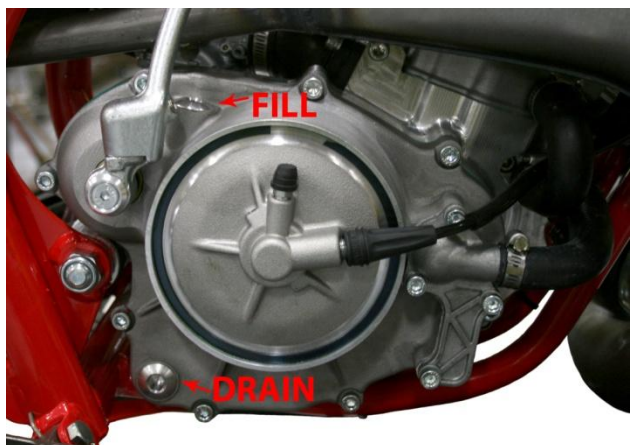


Figure 1

4. After it has drained, reinstall the bolt being sure that the rubber gasket is in place. Torque to 11 Nm (8 ft-lb).
5. Remove oil fill plug with an 8mm Allen wrench.
6. Carefully pour 16 oz (470 ml) of transmission oil into the oil fill opening.
7. Reinstall the oil fill plug making sure the rubber gasket is in place.

NOTE: Filling after an engine rebuild required additional transmission fluid. If the engine is completely flushed of oil, refill with 18 oz (530ml).

⚠ WARNING

Always capture and dispose of used oil properly (all auto parts stores accept used oil). Dumping oil on the ground is illegal, inconsiderate, and can get you disqualified from a race weekend quicker than cutting the track.

Chain adjustment

Tools required for chain adjustment

- 22 mm wrench or socket
 - 2 - 11 mm open-end wrenches
1. Make sure that the rear wheel is aligned properly.
 2. For proper adjustment, the chain should have 35 mm free movement just behind the chain block with no load on the bike (Figure 2)

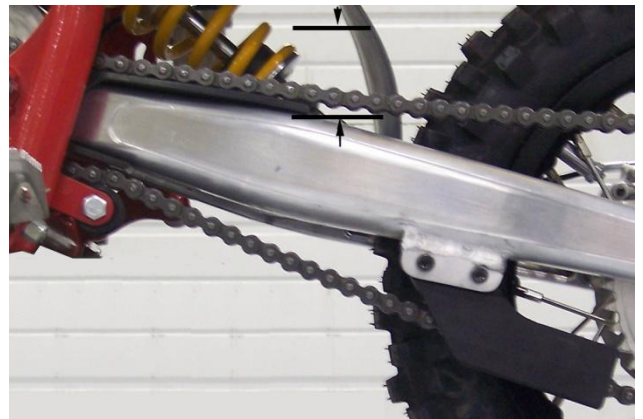


Figure 2

CAUTION:

Sit on the bike and verify that the chain has a minimum of 12mm (1/2") free movement when the chain is at its tightest point.

3. If the chain requires adjusting, loosen the axle with a 22mm wrench, and loosen the jam nut with an 11mm wrench. Tighten the chain by rotating the adjuster bolts clockwise (CW) or loosen the chain by rotating the adjuster bolts (CCW).
4. Put a rag between the sprocket and chain, and roll the wheel backward to pull the chain adjuster blocks tightly against the adjuster bolts (Figure 3).
5. Retighten the axle bolt to 25 ft-lb (34 Nm).
6. Retighten the adjuster jam nuts.



Figure 3

CAUTION:

Always check rear brake adjustment and free-play after adjusting the chain.

Air Filter Cleaning

Tools recommended for air filter maintenance:

- 5 mm hex key (Allen)
- Foam filter oil

1. Removed seat with the 5mm hex key.
2. Unhook the air filter wire from its perch
3. Carefully remove the air filter and frame out the top of the airbox making sure not to dislodge any dirt into the intake tract.
4. Clean the filter in a nonflammable solvent to remove the filter oil.

⚠ WARNING

Do not clean the air filter with gasoline or other highly volatile petroleum product. Diesel fuel, mineral spirits, or kerosene would be preferred but caution should still be taken.

5. Clean the filter in hot soapy water to remove all dirt particles.
6. Allow it to dry thoroughly.
7. Saturate with filter oil and remove excess.

NOTE: It is very important to keep the air filter clean and properly oiled with high quality water-resistant foam filter oil. Apply oil consistently because varied amounts of oil will affect carburetor jetting.

8. **Reinstall** the filter assembly by pushing it down and forward into the airbox making sure the lip of the filter cage is properly seated into its receptacle (figure 5). Reinstall the air filter cap and holding wire.

CAUTION:

Double check to insure that the filter is pushed in tight at the bottom

NOTE: Make sure you change or clean your filter after each moto. We recommend carrying multiple filters in your toolbox, one for each practice session and moto.

Fork Maintenance

Cobra strongly recommends that a professional service technician conduct all internal maintenance other than changing springs and oil. This will help to ensure safe and consistent operation.



Figure 4



Figure 5

For routine maintenance, the chart below provides suggested service intervals for common procedures:

	<u><i>Each Ride</i></u>	<u><i>10 hours</i></u>	<u><i>20 hours</i></u>	<u><i>As Needed</i></u>
<u><i>Bleed excess air</i></u>	<u><i>X</i></u>			
<u><i>Change Oil</i></u>		<u><i>X</i></u>		
<u><i>Change Seal/Striper</i></u>			<u><i>X</i></u>	
<u><i>Change Bushings</i></u>				<u><i>X</i></u>

Fork Air Bleeding

Tools required

- 3mm hex key (Allen wrench)

During normal operation, both fork legs will build up air pressure. This pressure acts as an additional spring so it must be bled on a regular basis to maintain consistent suspension operation. Before each ride, loosen the socket head cap screw located at the front of each fork cap far enough so that any excess pressure in the leg is relieved. After excess air is bled off, retighten the screw to 5 in-lb. Be careful not to lose or damage the sealing ring that is located under the head of each bleed screw.

Fork Oil Replacement



Tools required

- 37mm Fork Cap Tool (MCMUTL37)
- 22mm closed-end wrench or socket
- 14mm open-end wrench
- Drift punch (12mm OD x 300mm long (1/2" x 12"))
- 5 & 6 mm hex key (Allen wrench)
- Mallet
- 2.5 wt. Bel-Ray fork oil

Disassembly procedure

1. Remove the front wheel.
 - a. Loosen the brake-side axle pinch bolts (5mm hex key)
 - b. Carefully remove the brake side axle cap using a closed-end wrench to protect the cap from damage. (22mm wrench)
 - c. Loosen the non-brake side axle pinch bolts (5mm hex key)
 - d. Using the drift punch (a long 3/8 socket extension will also work), remove the axle from the fork lugs by placing the punch inside the hollow axle and tapping lightly on the exposed end with the mallet.

- e. Carefully slide with wheel downward out of the brake caliper.
2. Remove the brake caliper from the fork leg (6mm hex key).
3. Loosen the fork caps (Cobra 37mm Fork Cap Tool).
4. Remove the fork legs from the triple clamps (5mm hex key).
5. One leg at a time:
 - a. Remove the fork cap from the fork tube.
 - b. Lower the fork tube to expose the fork spring.
 - c. Pull the fork spring down from the fork cap to expose the damper rod lock nut. Secure this nut using a 14mm wrench.
 - d. With the 14mm wrench on the damper rod nut, use the 37mm fork cap wrench to free the fork cap from the damper rod.
 - e. Remove the 14mm wrench and allow the damper rod to fall into the cartridge tube.
 - f. Remove the fork spring.
 - g. Invert the fork to allow the oil to drain. Pump the damper rod assembly several times to help any excess oil trapped in the cartridge to drain.

Assembly procedure

1. Completely collapse the outer fork tube onto the stanchion tube. Add enough 2.5 wt. Bel-Ray fork oil to fill the cartridge tube. Pump the damper rod up and down slowly to help the assembly fill with oil.
2. Once the cartridge assembly is bled, continue to fill the fork with oil until it is 120mm +/- 2.5mm from the top of the fork.
3. Install the fork spring.
4. Use a flexible retrieving tool to pull the damper rod up through the fork spring and thread the damper rod into the fork cap.

CAUTION:

Ensure that the fork cap is completely threaded onto the damper rod before it makes contact with the lock nut.

5. Pull the fork spring down from the cap and torque the damper rod lock nut to 15 N-m (11ft-lb) with a 14mm wrench.

CAUTION:

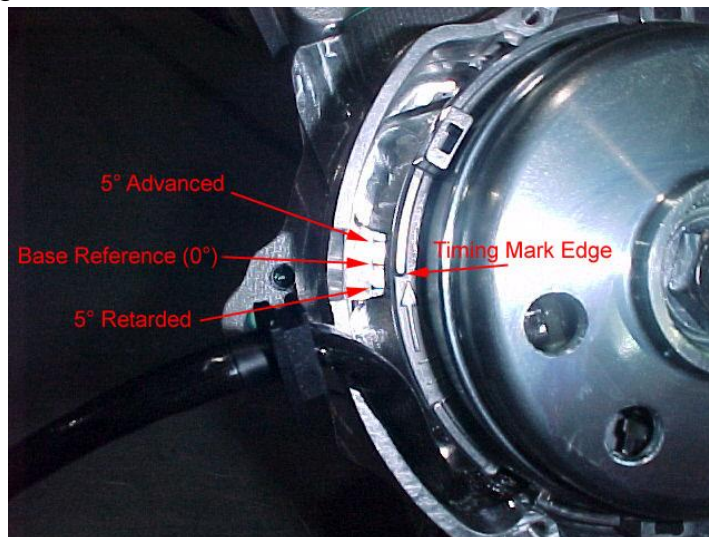
The damper rod is hollow and will break if the nut is over tightened.

6. Ensure that the fork cap o-ring is in good condition, Use the 37mm fork cap wrench to secure the fork cap to the fork outer tube. Torque the fork cap to 20 Nm (15 ft-lb).
7. Pump the fork leg several times to verify that it operates smoothly.
8. Install each leg back into the triple clamp. Torque each pinch bolt to 11N-m (8 ft-lb) making sure both legs are set to the same height in the clamps.
9. Reinstall the brake caliper.
10. Reinstall the front wheel.
 1. Install axle through non-brake side fork lug and wheel hub

2. Slide wheel spacer over axle taking care to ensure that the internal o-ring is in place.
3. Continue sliding axle through brake-side lug and reinstall axle cap (6 ft-lb, 8 Nm)
4. Lightly torque all four axle pinch bolts
5. Drop the bike onto the ground, engage the front brake, and push up and down on the handlebars several times to ensure that the front forks and the front wheel are properly aligned with each other.
6. Apply final torque to all four axle pinch bolts (7.4 ft-lb, 10 Nm)

Ignition Timing

The ignition timing value for the CX65 is 0° retarded from the standard base reference (0°). This can be verified by removing the ignition cover and looking as shown in the figure below.

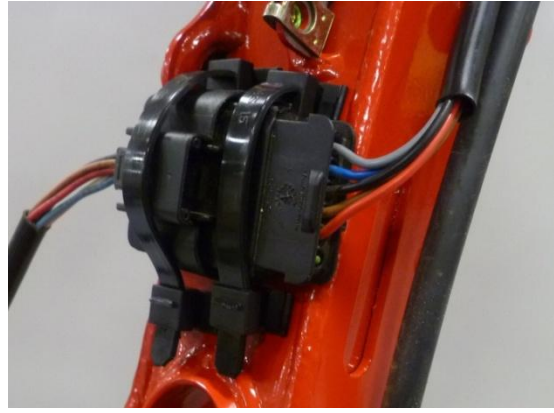


The center mark on the cases is the standard base reference timing mark (0°), and the other two large marks are 5° advanced and retarded. The small timing marks between 0 & 5° is 2.5°.

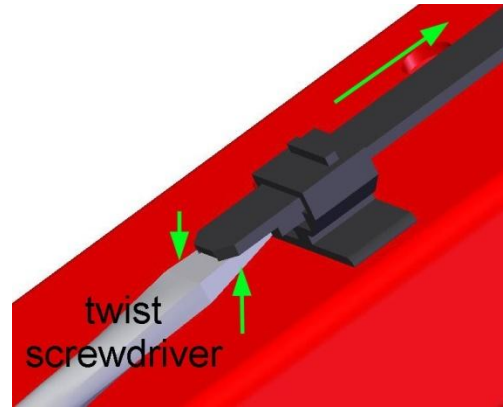
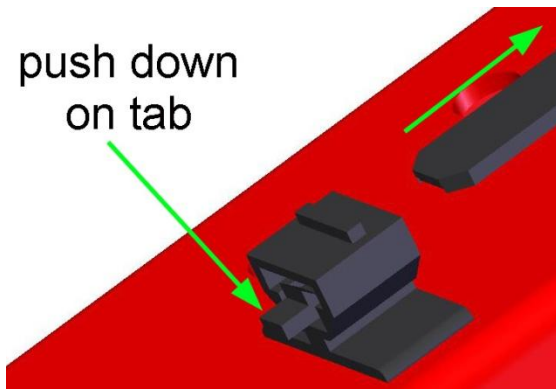
To change the timing, one must remove the flywheel with Cobra 65 flywheel puller # MCMUTL05. After the flywheel has been removed, the timing can be adjusted by loosening the stator bolts and rotating the stator to the desired position.

Cable Ties

There are two locations where we have used reusable frame mount cable ties this year on the 2013 CX65.

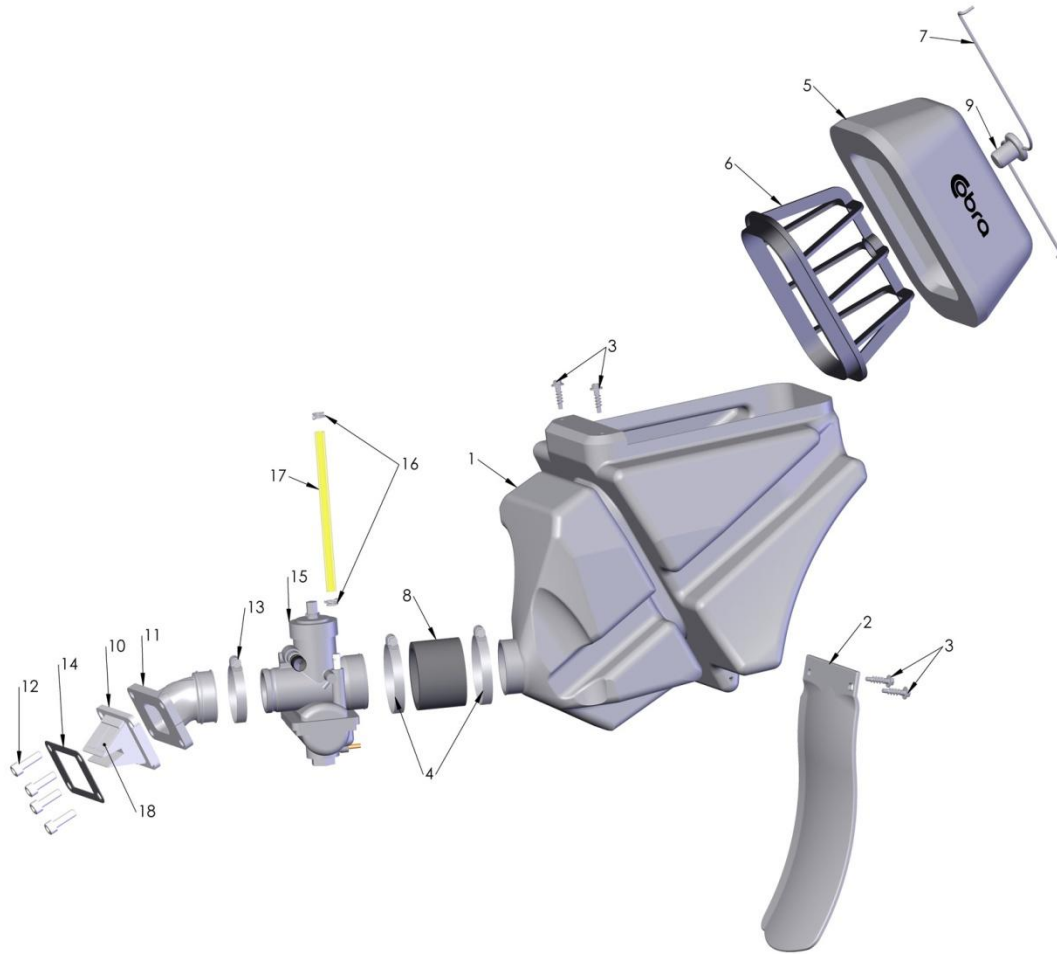


To disconnect these cable ties, use a screw driver as shown and push down on the short tab. The tab will be hidden from view by the cable tie strap.



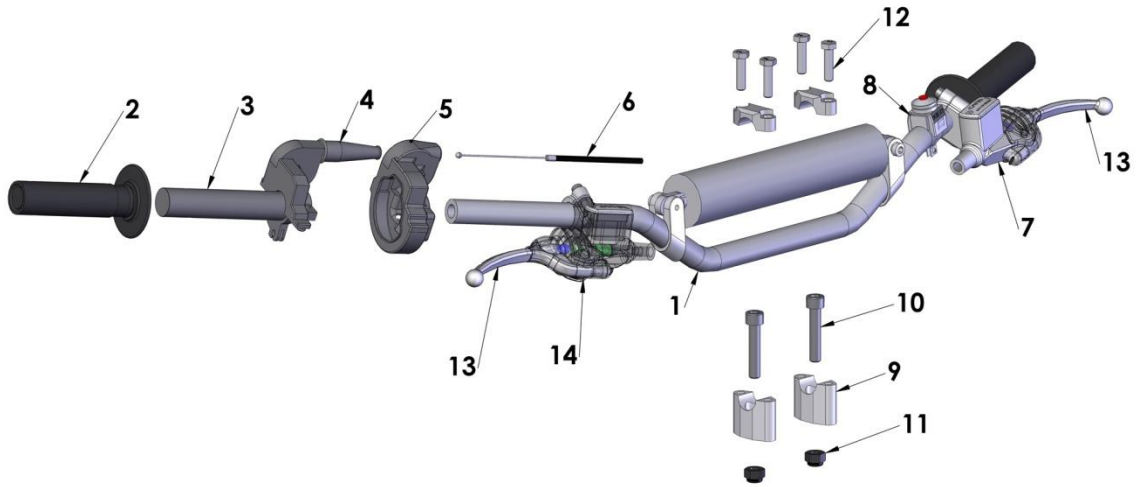
Parts

Parts – Air Box & Inlet System



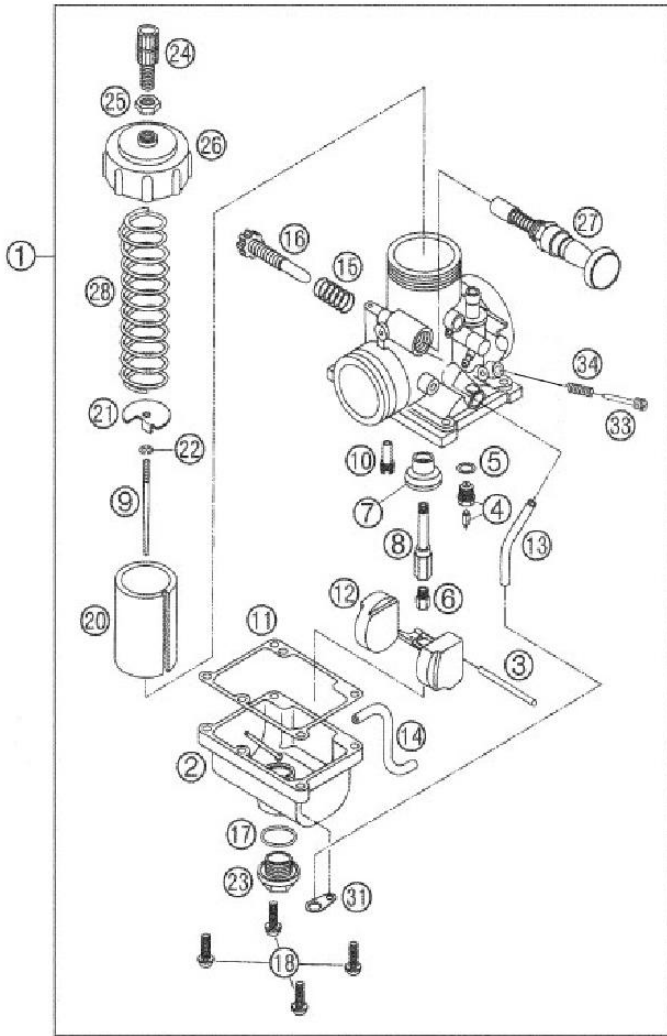
Air Box & Inlet		
REF #	PART #	DESCRIPTION
1	RCC60007	AIRBOX
2	TCC60008	MUD FLAP
3	HCSP0003	SCREW - PLASCREW
4	MCKGHO03	CLAMP, AIR BOOT TO AIR BOX
5	RCC60002	AIR FILTER
6	RCC60003	AIR FILTER CAGE
7	RCC60004	AIR FILTER WIRE
8	RCC60014	AIR BOOT, CARB TO AIRBOX
9	RCC60006	AIR FILTER CAP
10	ECC60006	REED ASSEMBLY
11	ECC60007	INLET MANIFOLD
12	HCBC0625	M6x25mm SOCKET HEAD CAP SCREW
13	MCC60003	CLAMP, MANIFOLD TO CARB
14	ZCC60021	GASKET REED
15	RCR60026	CARBURETOR 26mm MIKUNI
16	MCMUCL04	HOSE CLAMP 8mm
17	FCMU0026	FUEL LINE
18	ECC60014	REED PETALS - REPLACEMENT

Parts – Bars and Controls



Bars and Controls		
REF #	PART #	DESCRIPTION
1	FAMU0011	HANDLEBAR – ALUMINUM
2	TCMU0008	GRIPS (SET OF TWO)
3	FCMU0066	THROTTLE ASSEMBLY
4	FCPW0004	CABLE COVER
5	FCMU0021	THROTTLE COVER
6	RAC60001	THROTTLE CABLE
7	CAC60003	MASTER CYLINDER W/LEVER - CLUTCH
8	FCMU0033	KILL SWITCH ASSEMBLY
9	TKMU0404	BAR MOUNT KIT, SHORT (1 REQ'D) STANDARD
9A	TKMU0403	BAR MOUNT KIT, TALL (1 REQ'D)
10	HCBC1002	M10X50mm SOCKET HEAD CAP SCREW (2 REQ'D)
11	HCNL1001	M10 LOCK NUT
12	HCBH0820	M8 X 20 HEX HEAD BOLT (4 REQ'D)
13	BCC60057	BRAKE LEVER
14	BAC60008	BRAKE ASSY COMPLETE – FRONT CX65 ZL150
ACCESSORY	BKC60004	BRAKE - MASTER CYLINDER - REBUILD KIT - ZL150
ACCESSORY	CKC60001	CLUTCH - MASTER CYLINDER - REBUILD KIT

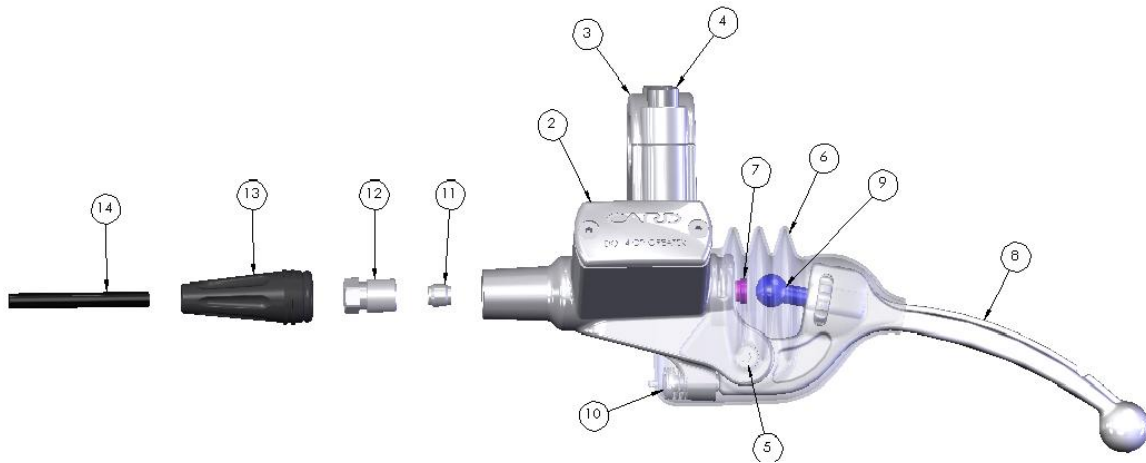
Parts - Carburetor



Carburetor		
REF. #	PART #	DESCRIPTION
1	RCR60026	CARBURETOR 26MM MIKUNI
2	RCC60017	FLOAT BOWL CHAMBER
4	RCMU0271	NEEDLE VALVE & SEAT ASSY
6	SEE BELOW	MAIN JET
9	RCEX0026	NEEDLE JET STOCK 5L14
10	SEE BELOW	PILOT JET
11	RCC60013	GASKET, FLOAT BOWL
15	RCEX0016	SPRING IDLE ADJUST SCREW
16	RCEX0015	IDLE ADJUST SCREW
17	ZCDCOR01	O'RING BOWL PLUG
18	RCEX0012	FLOAT BOWL SCREW
20	RCC60025	SLIDE
21	RCC60016	SLIDE STUFFER
22	RCMU0277	CLIP - NEEDLE
24	RCEX0005	ADJUSTER
25	RCEX0006	LOCK NUT
27	RCC60026	CHOKE ASSY
33	RCEX0013	AIR ADJUSTING SCREW
34	RCEX0014	SPRING - AIR ADJUST SCREW
NOT SHOWN	RCMU0415	CABLE ADJUSTER CAP (RUBBER)
	RCC60021	AIR SCREW O-RING
	RCC60020	AIR SCREW WASHER

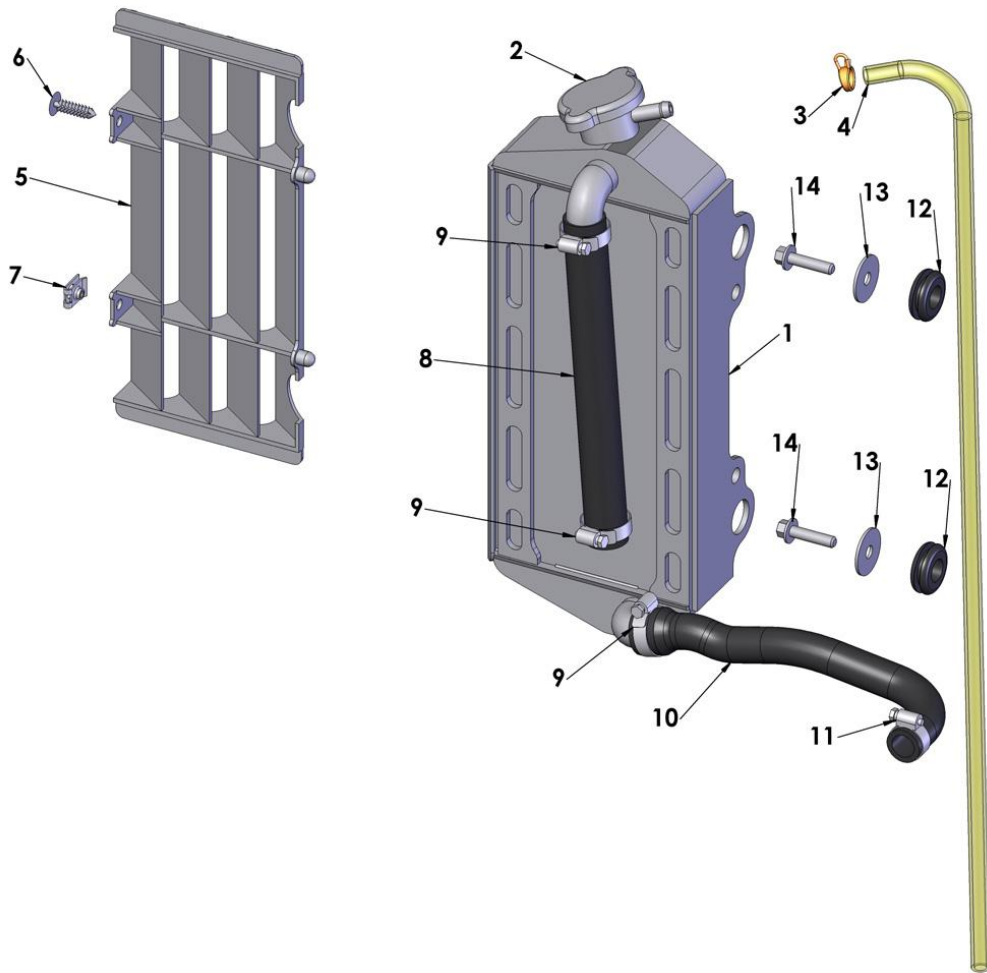
PILOT JET		MAIN JET	
30	RCEX0030	190	RCMU0190
32.5	RCEX0032	195	RCMU0195
35	RCEX0035	200	RCMU0200
37.5	RCEX0037	205	RCMU0205
40	RCEX0040	210	RCMU0210
42.5	RCEX0042	215	RCMU0215
45	RCEX0045	220	RCMU0220
47.5	RCEX0047	225	RCMU0225
50	RCEX0050	230	RCMU0230
52.5	RCEX0052	235	RCMU0235
55	RCEX0055	240	RCMU0240
57.5	RCEX0057	250	RCMU1250
60	RCEX0060	260	RCMU1260
		270	RCMU1270
		280	RCMU1280
		290	RCMU1290
		300	RCMU1300
		310	RCMU1310

Parts – Clutch – Master Cylinder



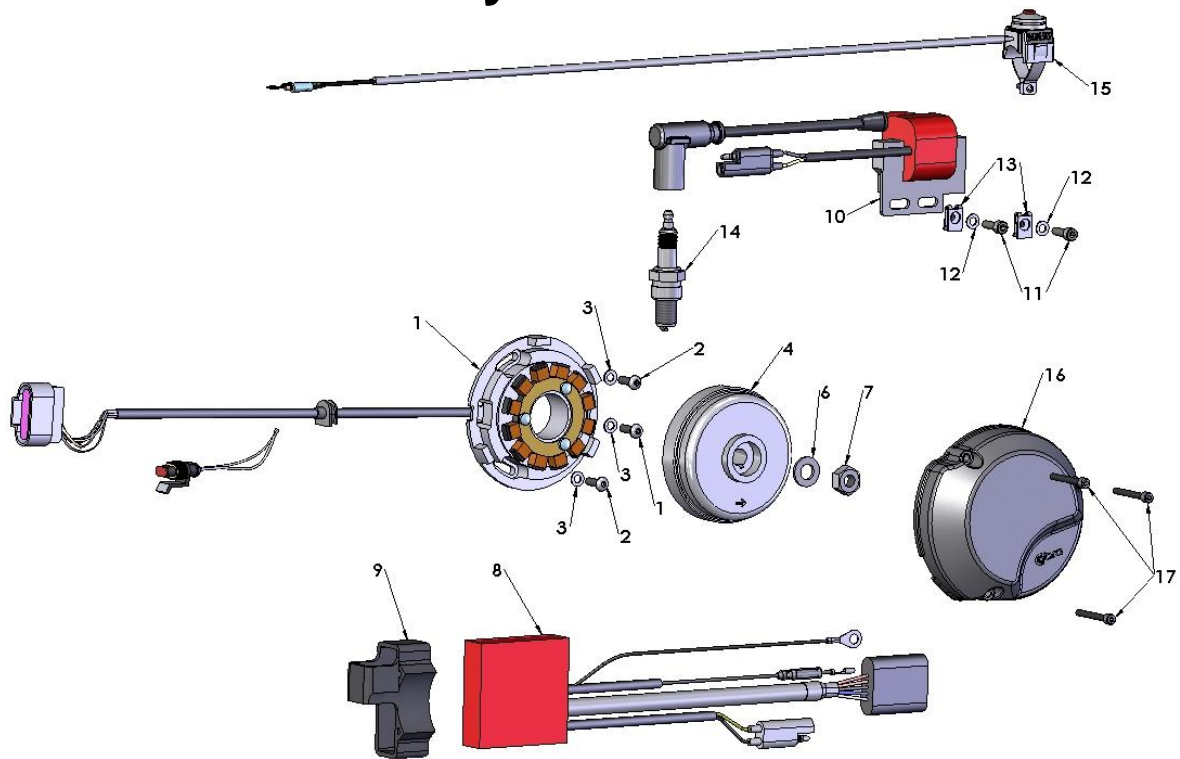
Clutch – Master Cylinder		
REF#	PART #	DESCRIPTION
1	CAC60003	ASSEMBLY - CLUTCH MASTER CYLINDER (M/C) CX65
2	BKC60008	CAP & BLADDER KIT ZL150
		CAP
		BLADDER
		M3-0.5 X 6mm LONG PHILLIPS SCREW (2)
3	BCC60058	CLAMP ZL150
4	HCBC0601	M6-1.0 X 25mm LONG SOCKET HEAD CAP SCREW
5	BKC60007	PIVOT BOLT KIT ZL150
		BOLT – PIVOT ZL150
		CLIP – PIVOT BOLT ZL150
6	BCC60055	BOOT MASTER CYLINDER
7	CKC60001	REBUILD KIT - MASTER CYLINDER
		PISTON
		SEAL FRONT
		SEAL REAR
		SPRING
		CLIP
		SPACER
8	BCC60057	LEVER ZL150
9	BKC60005	KIT – LEVER FREEPLAY ADJUSTMENT
		SPRING - BALL DETENT
		BALL - DETENT
		DIAL - ADJUSTMENT
		SCREW – SET
		PLUNGER - BALL END - ADJUSTABLE
10	BKC60006	KIT - LEVER RETURN STOP POSITION - BOLT & SPRING KIT
11	BCMU0017	FERRULE – COMPRESSION FITTING
12	BCMU0020	FITTING – THREADED CLUTCH LINE END
13	CCC60010	LINE – CLUTCH - REPLACEMENT KIT CX65
		FERRULE – COMPRESSION FITTING (2 INCLUDED)
		CLUTCH - LINE
NOT SHOWN	BCC60017	BOOT – CLUTCH MASTER CYLINDER PISTON COVER

Parts – Coolant System



Coolant System		
REF #	PART #	DESCRIPTION
1	FCC60060	RADIATOR W/CAP - CX65
2	FCMU0022	CAP – 1.3 BAR
3	MCMUCL05	HOSE CLAMP 11-20 UNIVERSAL
4	FCKG0214	HOSE - OVERFLOW
5	FCDC0009	RADIATOR LOUVER-CX65
6	HCSP0002	PUSH PIN - PLASTIC
7	HCCN0000	5mm EXTRUDED "U" NUT
8	ECCS0014	HOSE RADIATOR UPPER
9	MCMUCL07	HOSE CLAMP RADIATOR MEDIUM (3 REQ'D)
10	ECC60012	HOSE RADIATOR BOTTOM
11	MCMUCL09	HOSE CLAMP RADIATOR SMALL (1 REQ'D)
12	MCC6GR01	GROMMET RADIATOR (2 REQ'D)
13	HCWF1478	6mm WASHER 22mm OD BLK ZINC (2 REQ'D)
14	HCBF0616	M6X16mm FLANGED HEX-8mm HEAD (2 REQ'D)
ACCESSORY	ECR60016	HOSE SET SILICONE - RED
ACCESSORY	ECR60017	HOSE SET SILICONE - BLUE

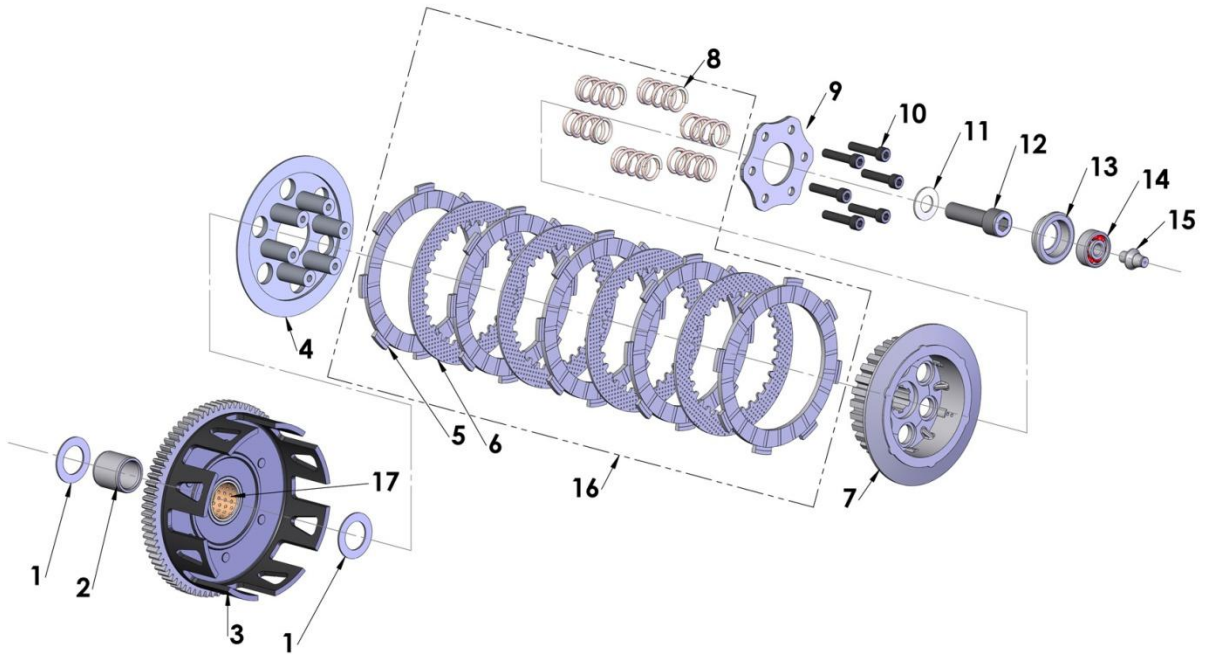
Parts – Electrical System



Electrical System		
REF #	PART #	DESCRIPTION
1	ICC60014	STATOR – POWER VALVE CX65
2	HCBB0516	M5X16mm BUTTON HEAD SCREW (3 REQ'D)
3	HCWF0501	5mm FLAT WASHER (3 REQ'D)
4	ICC60003	ROTOR OUTER STYLE CX65
5	ICMU0012	WOODRUFF KEY (NOT SHOWN)
6	HCWF0010	10mm FLAT WASHER
7	HCNS1001	M10 NUT
8	ICC60016	CDI UNIT – POWER VALVE CX65
9	ICMU0035	MOUNT - CDI
10	ICC60005	COIL DIGITAL 65
11	HCBC0516	M5X16mm SOCKET HEAD CAP SCREW – COIL MOUNTING (2 REQ'D)
12	HCWF0501	5mm WASHER – COIL MOUNTING (2 REQ'D)
13	HCCN0000	5mm EXTRUDED "U" NUT – COIL MOUNTING (2 REQ'D)
14	ECMU0033I	SPARK PLUG
15	FCMU0033	KILL SWITCH ASSEMBLY
16	ECC60166	COVER - IGNITION
17	HCBC0402	M4X35mm SOCKET HEAD CAP SCREW – COVER MOUNTING (3 REQ'D)
NOT SHOWN	FCMU0030	COVER – KILL SWITCH SCREW
ACCESSORY	ICMU0016	SPARK PLUG CAP 5K Ω
ACCESSORY	MCKGGR00	GROMMET WIRE PROTECTION (2 PLACES)

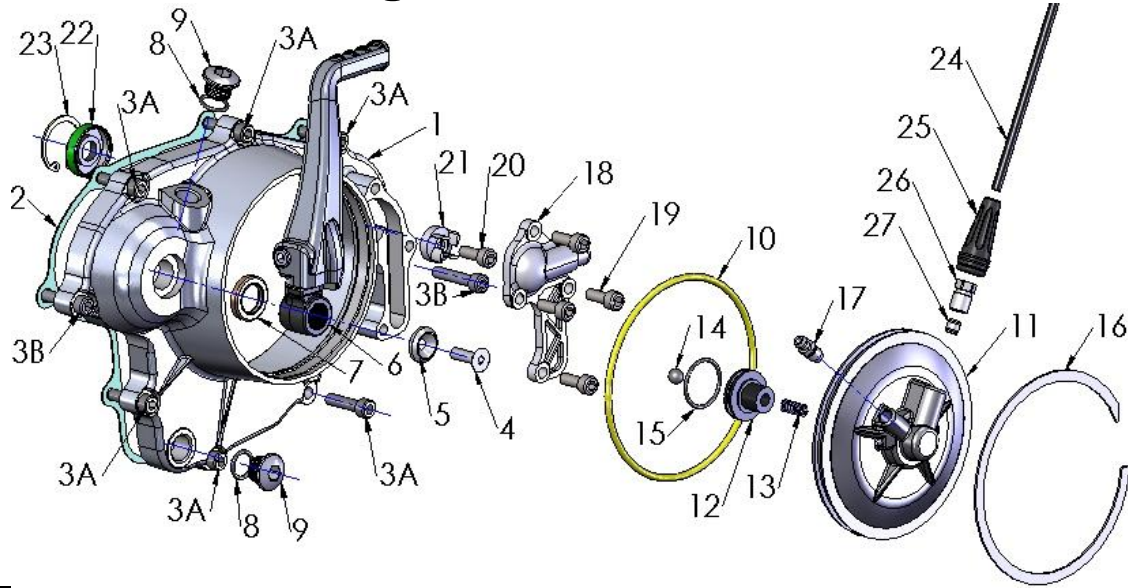


Parts – Engine Clutch



Clutch Components		
REF. #	PART #	DESCRIPTION
1	ECDC0063	CLUTCH WASHER (2 REQ'D)
2	ECDC0064	CLUTCH BUSHING – INNER / STEEL
3	EAEX0003	CLUTCH BASKET ASSEMBLY (INCLUDES ECDC0167)
4	ECDC0066	CLUTCH PRESSURE PLATE
5	ECDC0068	CLUTCH DISC-FRICTION – (5 REQ'D)
6	ECDC0067	CLUTCH DISC-STEEL – (4 REQ'D)
7	ECDC0069	CLUTCH HUB
8	ECDC0070	SPRING, CLUTCH – (6 REQ'D)
9	ECDC0071	PLATE, CLUTCH SPRING
10	HCBC0525	M5X25mm SOCKET HEAD CAP SCREW (6 REQ'D)
11	ECDC0030	SPRING WASHER – CLUTCH
12	HCBF1035	M10X35mm FLANGE HEAD BOLT
13	ECDC0019	CLUTCH BEARING SEAT
14	ECDC0018	BEARING, CLUTCH THROW OUT
15	ECC60050	CLUTCH PUSH ROD
16	CKMU0001	CLUTCH KIT INCLUDING- SPRINGS, STEELS AND FIBERS
17	ECDC0167	CLUTCH BUSHING - OUTER / BRONZE (REPLACEMENT)
ACCESSORY	EAEX0006	CLUTCH BASKET REPLACEMENT KIT

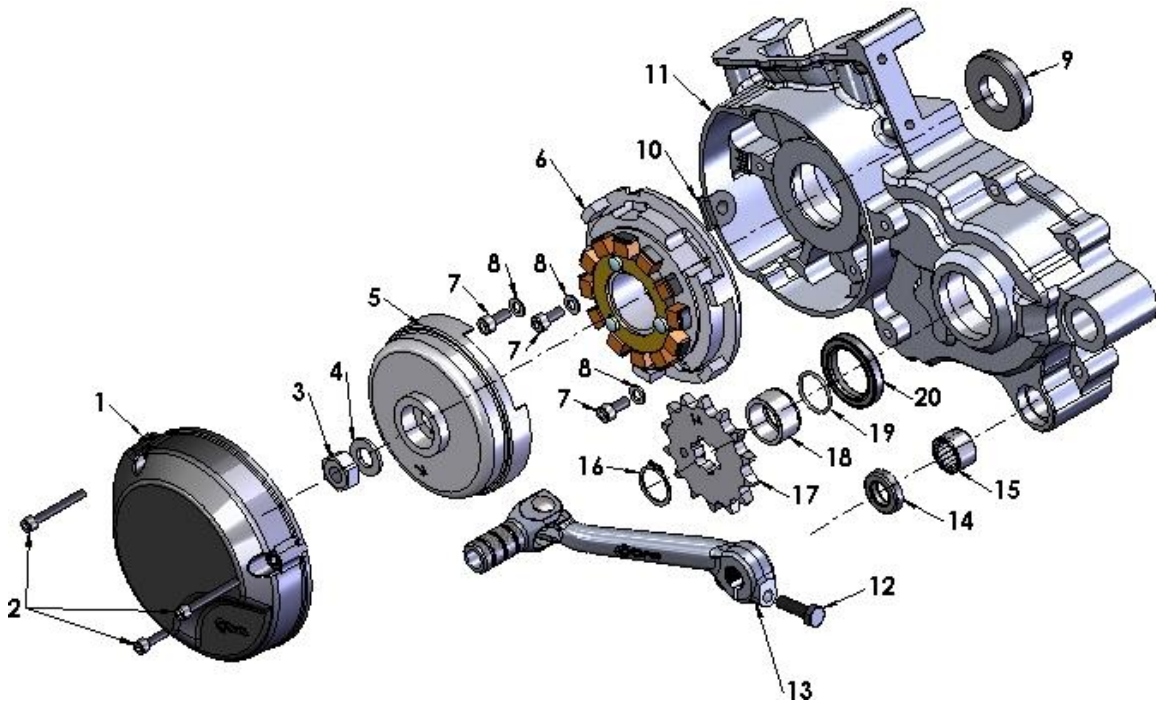
Parts – Engine – Clutch / Kick Cover



Clutch / Kick Cover Components

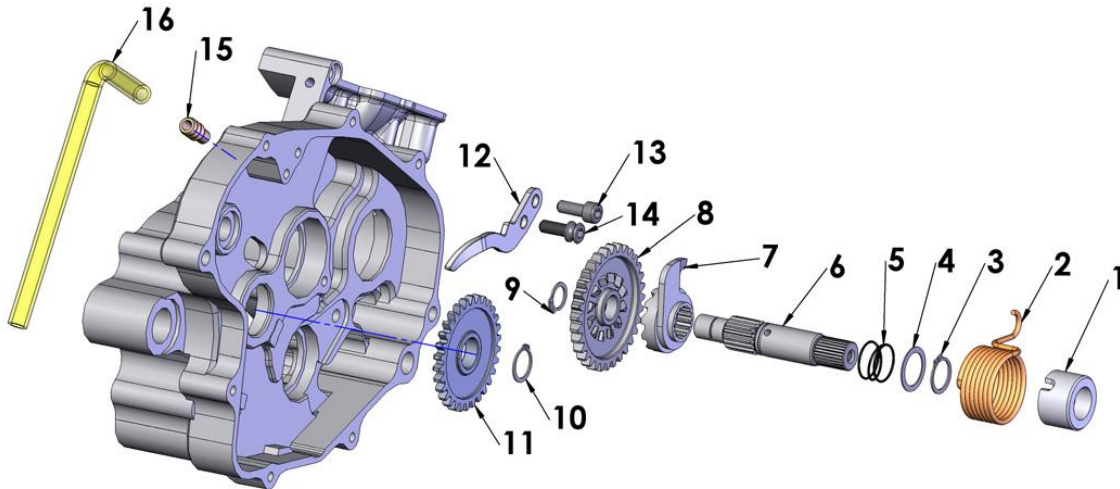
REF. #	PART #	DESCRIPTION
1	ECC60235	CLUTCH COVER
2	ZCC60007	GASKET-CLUTCHCOVER
3A	HCBC0625	M6X25mm SOCKET HEAD CAP SCREW (6 REQ'D)
3B	HCBC0630	M6X30mm SOCKET HEAD CAP SCREW (2 REQ'D)
4	HCFH0616	M6X16mm FLAT HEAD BOLT
5	ECMU0250	WASHER – KICK LEVER
6	EAMU0011	KICKSTARTER LEVER ASSEMBLY
7	ECDC0078	SEAL, KICKSTARTER
8	ZCMUB014	O-RING-OIL FILL PLUG
9	ECMU0168	OIL FILL PLUG, ALUMINUM
10	ZCDCOR05	O-RING-CLUTCH CAP
11	ECC60053	CLUTCH CAP W/SLAVE CYLINDER
12	CCC60005	PISTON – CLUTCH SLAVE CYLINDER
13	CCC60006	SPRING – SLAVE RETURN
14	CCEX0009	BALL – CLUTCH ENGAGEMENT
15	ZCMUOR25	O-RING – SLAVE PISTON – DOT
16	ECDC0082	SNAP RING-CLUTCH CAP
17	BCMU0018	FITTING – BLEED, CLUTCH LINE
18	ECAX0150	IMPELLER COVER
19	HCBC0601	M6X16mm SOCKET HEAD CAP SCREW
20	HCBC1512	M5X12mm SOCKET HEAD CAP SCREW STAINLESS STEEL
21	ECDC0075	IMPELLER, WATERPUMP
22	ECKG0074	SEAL, WATERPUMP
23	ECMU0218	RETAINING RING, WATER PUMP SEAL
24	CCC60010	LINE – CLUTCH REPLACEMENT
25	BCMU0021	COVER – RUBBER CLUTCH LINE END
26	BCMU0020	FITTING – THREADED CLUTCH LINE END
27	BCMU0017	FERRULE – COMPRESSION FITTING
ACCESSORY	EKMU0002	PIVOT SPRING, BALL AND SET SCREW KIT – KICK STARTER

Parts – Engine – Ignition Side



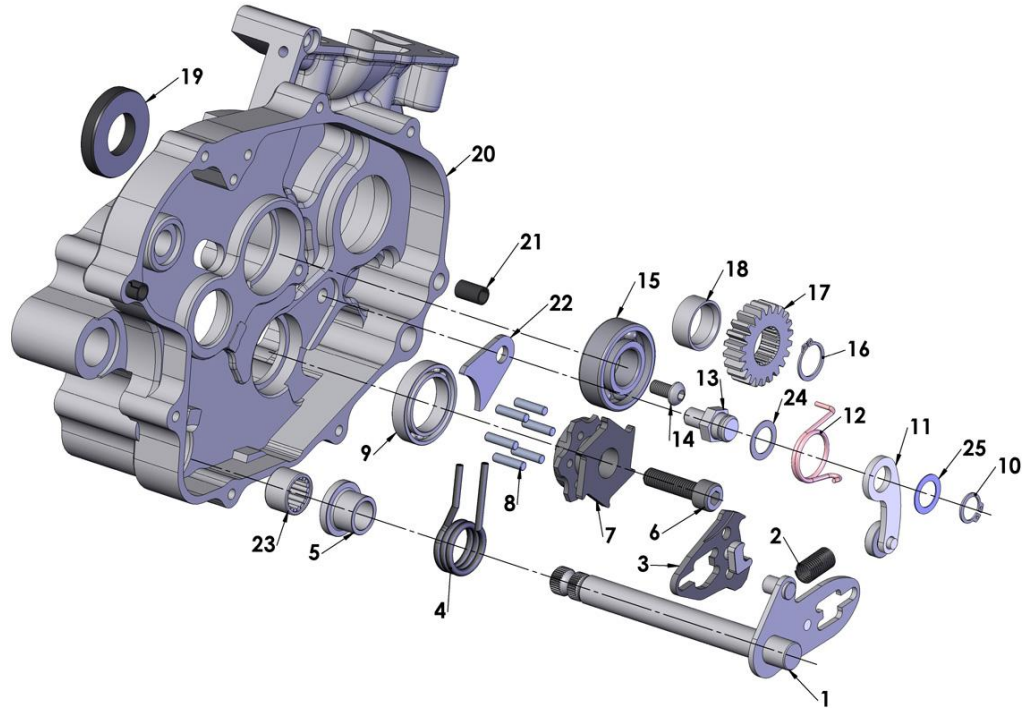
Ignition Side Engine Components		
REF. #	PART #	DESCRIPTION
1	ECC60166	IGNITION COVER
2	HCBC0402	M4X35mm SOCKET HEAD CAP SCREW (3 REQ'D)
3	HCNS1001	M10 NUT
4	HCWF0010	10mm FLAT WASHER
5	ICC60003	ROTOR PVL OUTER STYLE
6	ICC60014	STATOR PVL DIGITAL – POWER VALVE CX65
7	HCBT0516	M5X16mm BUTTON HEAD TORX (3 REQ'D)
8	HCWF0501	5mm WASHER FLAT (3 REQ'D)
9	ECDC0024	SEAL, CRANKSHAFT
10	ICMUGR01	GROMMET-IGNITION
11	EKC62013	ENGINE CASE SET W/B&S CX65
12	HCBH0602	M6X25mm HEX HEAD BOLT
13	ECR60015	SHIFTER LEVER - ALUMINUM
14	ECDC0026	SEAL, SHIFTER
15	ECMU0020	BEARING, SHIFTER SHAFT
16	ECKGSR03	SNAP RING-OUTPUT-COBRA
17	PCKG00xx	xx DENOTES TEETH – RANGE OF TEETH (13-16)
18	ECDC0009	SPACER, SPROCKET
19	ZCMUOR21	O-RING, SPROCKET SPACER
20	ECDC0025	SEAL, OUTPUT
ACCESSORY	ECR60015L	SHIFT LEVER – STIFF ARM - LONG

Parts – Engine – Kick Mechanism



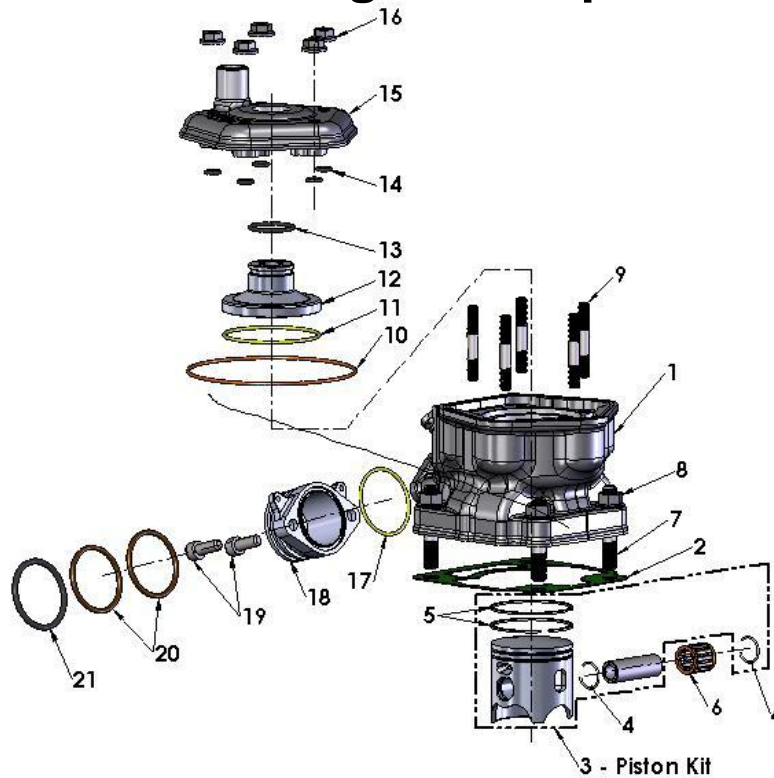
Kick Mechanism		
REF. #	PART #	DESCRIPTION
1	ECC60066	SPACER – KICK SPRING CENTERING
2	ECC60067	SPRING KICK START CX65
3	ECDC0036	SNAP RING, EXTERNAL 16mm - SPRING RET.
4	ECDC0043	WASHER, KICKSTART BACKUP
5	ECDC0042	SPRING, KICKSTART RAMP
6	ECMU0171	SHAFT, KICK STARTER – THREADED
7	ECC60145	RAMP GEAR, KICKSTART
8	ECDC0033	GEAR, KICKSTART
9	ECDC0035	SNAP RING, EXTERNAL 12mm
10	ECDC0037	SNAP RING, EXTERNAL 15mm
11	ECDC0032	GEAR, KICK START IDLE
12	ECC60144	RAMP, KICK START
13	HCBC0601	M6X16mm SOCKET HEAD CAP SCREW
14	ECMU0170	SPRING HOLDER
15	ECMU0233	FITTING, VENT HOSE
16	ECMU0534	VENT HOSE

Parts – Engine – Shift Mechanism



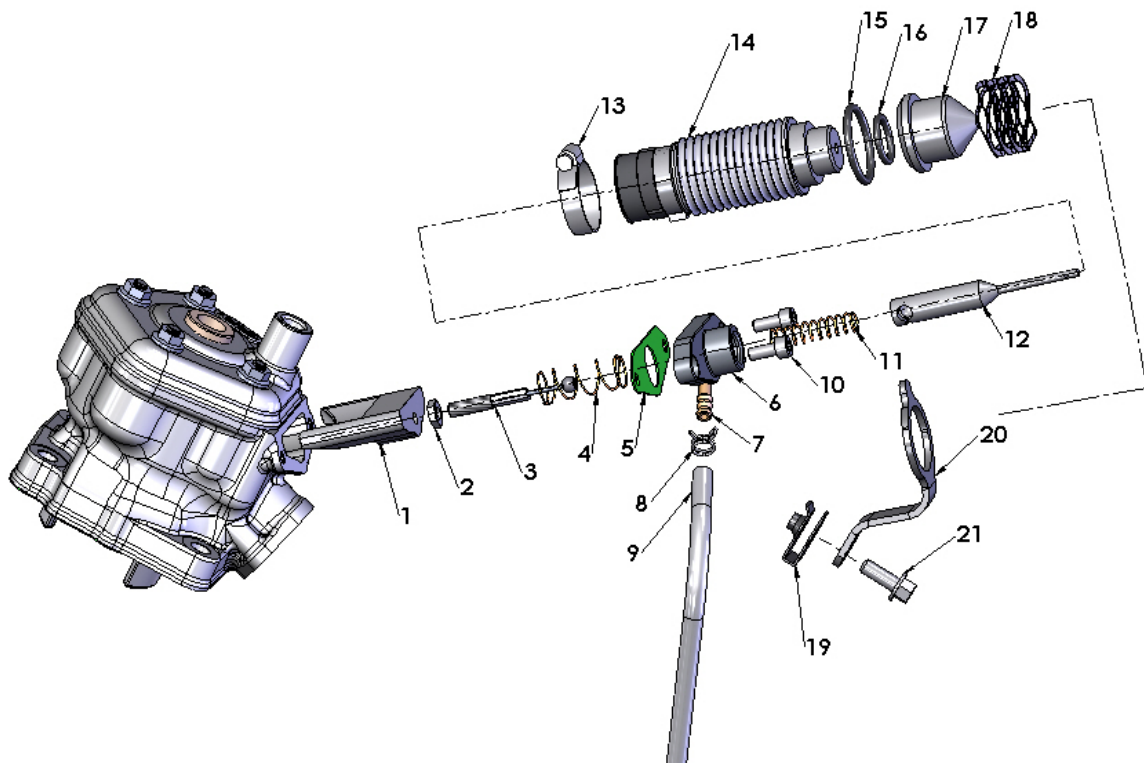
Shifting Components		
REF #	PART #	DESCRIPTION
1	EAC60011	SHIFTER SHAFT W/ PIVOT PLATE
NOT SHOWN	ECMU0542	CAP - SHIFTER SHAFT END SPACING
2	ECDC0055	SPRING – SHIFTER PLATES
3	EAC60012	SHIFTER SLIDE PLATE
4	ECC60061	SPRING, SHIFTER SHAFT CENTERING
5	ECC60146	SPACER BUSHING
6	HCBC0806	M8X30mm SOCKET HEAD CAP SCREW (BLACK OXIDE)
7	ECC60130	SHIFT CASSETTE (W/O PINS)
8	ECDC0051	DOWEL – SHIFT CASSETTE (6 REQ'D)
9	ECDC0022	BEARING, SHIFT DRUM
10	ECDC0035	CLIP, ARM RETAINER
11	ECMU0545	ARM ASSY, SHIFT FOLLOWER
12	ECMU0546	SPRING, SHIFT FOLLOWER ARM
13	ECC60096	PIVOT, SHIFT ARM
14	HCBB1612	M6X12mm BUTTON HEAD BLACK OXIDE
15	ECMU0016	BEARING, PRIMARY SHAFT CLUTCH SIDE
16	ECDC0036	SNAP RING, EXTERNAL 16mm
17	ECDC0073	CRANK DRIVE GEAR
18	ECDC0112	SPACER, CRANK DRIVE GEAR
19	ECDC0024	SEAL, CRANKSHAFT
20	EKC62013	ENGINE CASE SET W/B&S CX65
21	ECDC0031	DOWEL, HOLLOW (2 REQ'D)
22	ECC60095	BEARING RETAINER PLATE
23	ECMU0020	BEARING (SOME ENGINES HAVE THIS VS. #5 BUSHING)
24	ECC60119	SHIM WASHER
		NOTE MEASURE SHIM TO ORDER CORRECT SIZE
25	ECC60152	SHIM 0.2mm THICK
25	ECC60153	SHIM 0.3mm THICK

Parts – Engine – Top End



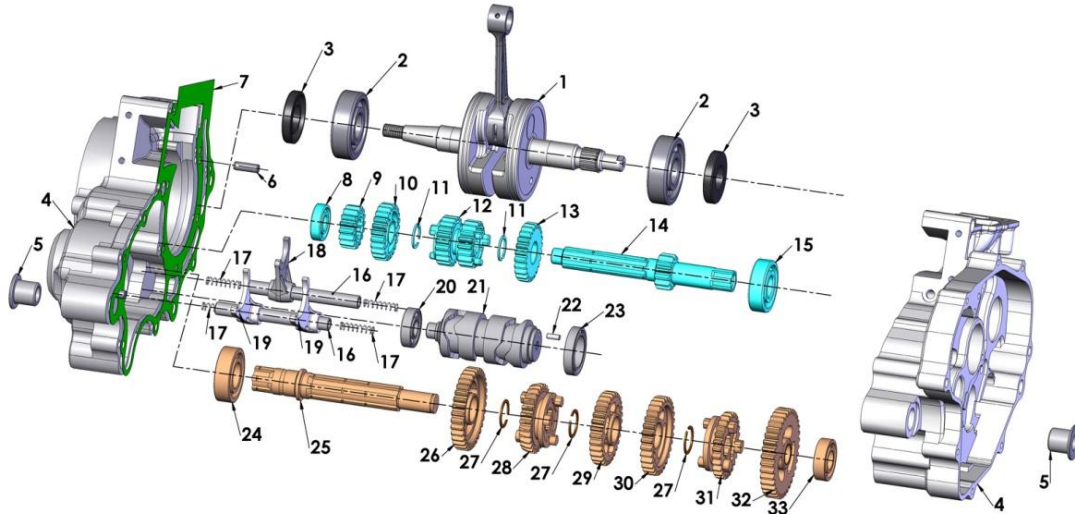
Engine – Top End		
REF #	PART #	DESCRIPTION
1	ECC60157	CYLINDER KIT PV CX65 (INCLUDES PISTON KIT & CYLINDER)
2	ZCC60302	BASE GASKET 0.2mm THICK
2	ZCC60303	BASE GASKET 0.3mm THICK
2	ZCC60304	BASE GASKET 0.4mm THICK
2	ZCC60305	BASE GASKET 0.5mm THICK
2	ZCC60306	BASE GASKET 0.6mm THICK
2	ZCC60308	BASE GASKET 0.8mm THICK
3	ECMU0184AB	PISTON KIT (AB PISTON SIZE)
3	ECMU0184CD	PISTON KIT (CD PISTON SIZE)
4	ECMUSR00	SNAP RING FOR PISTON (2 REQ'D)
5	ECEX0005	PISTON RINGS 44.5mm (2 PER SET)
6	ECDC0061	BEARING, WRIST PIN
7	ECC60109	STUD, CYLINDER 8mm (4 REQ'D)
8	HCNF0801	M8 FLANGE NUT (4 REQ'D)
9	ECC60107	STUD, CYLINDER 6mm (5 REQ'D)
10	ZCC60009	O-RING - GASKET LARGE PV HEAD OUTER
11	ZCMUOR05	O-RING CYLINDER HEAD MEDIUM - YELLOW
12	ECC60154	CYLINDER HEAD INSERT PV 2013
13	ZCMUOR23	O-RING CYLINDER HEAD SMALL
14	ZCMUOR03	O-RING CYLINDER STUD - YELLOW (5 REQ'D)
15	ECC60149	CYLINDER HEAD OUTER - 2013
16	HCNF0601	M6 FLANGE NUT (5 REQ'D)
17	ZCMUOR07	O-RING, EXHAUST FLANGE TO CYLINDER
18	ECC60064	FLANGE - EXHAUST
19	HCBC0601	M6X16mm SOCKET HEAD CAP SCREW (2 REQ'D)
20	ZCMOTE11	O-RINGS – PIPE TO FLANGE (2 REQ'D)
21	ZCMUOR11	O-RING – PIPE to FLANGE (1 REQ'D)
NOT SHOWN	ZKMUOR13	O-RING KIT – TOP END – CX65 PV

Parts – Engine – Power Valve



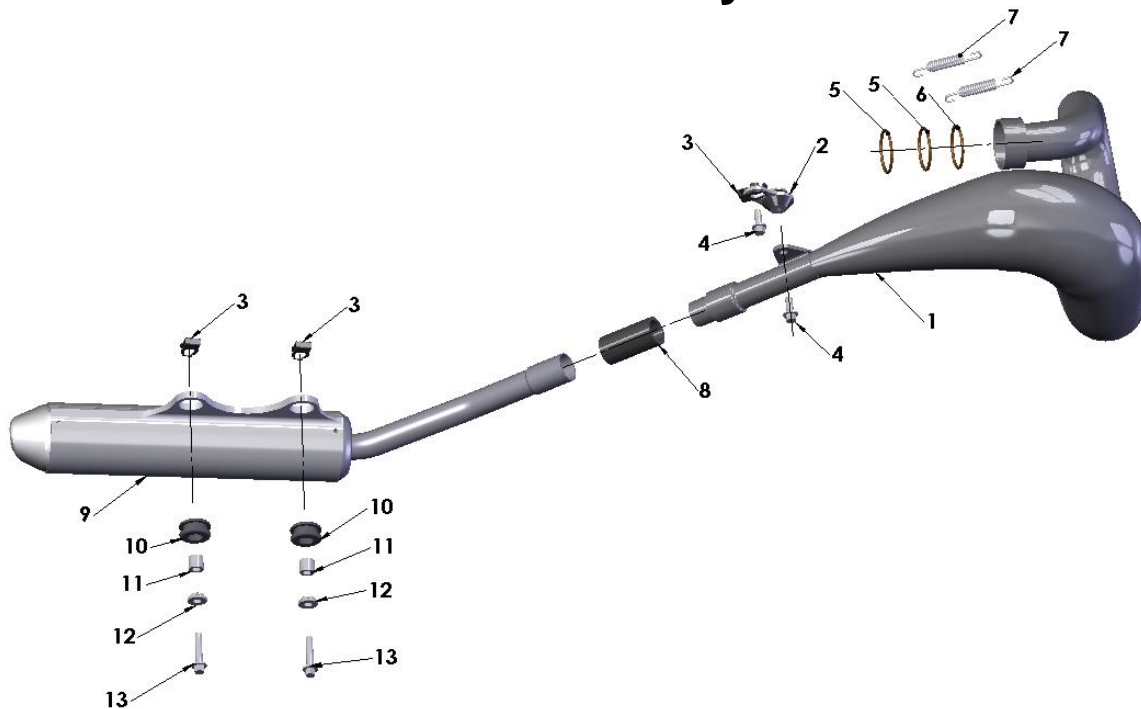
Engine – Power Valve		
REF #	PART #	DESCRIPTION
1	ECC60150	VALVE – POWER VALVE
2	HCNJ0601	NUT – JAM M6 X 1
3	ECC60164	CABLE – POWER VALVE ACTUATION - 2013
4	ECC60079	SPRING – PV RETURN
5	ZCC60012	GASKET - POWER VALVE COVER
6	ECC60089	COVER - POWER VALVE
7	ECMU0533	NIPPLE - VENT HOSE
8	MCMUCL04	CLAMP
9	ECC60133	HOSE - POWER VALVE VENT
10	HCBC0501	M5X12mm SOCKET HEAD CAP SCREW (2 REQ'D)
11	ECC60169	SPRING –PV CABLE – TENSION LOAD
12	ECC60163	PLUNGER - POWER VALVE SOLENOID – V2
13	MCMUCL02	CLAMP - HOSE 17 - 32 UNIVERSAL
14	ECC60100	SOLENOID - ASSEMBLY POWER VALVE
15	ZCMUOR18	O-RING - SOLENOID MOUNT (1 REQ'D)
16	ZCMU0114	O-RING - SOLENOID CAP
17	ECC60156	CAP - PLUNGER COVER POWER VALVE – 2013
18	ECC60151	SPRING – POWER VALVE CLAMP
19	HCHA0003	6mm CLIP NUT
20	FCC60064	CLAMP – POWER VALVE SECURE
21	HCBF0616	M6X16mm FLANGE HEAD

Parts – Engine – Transmission



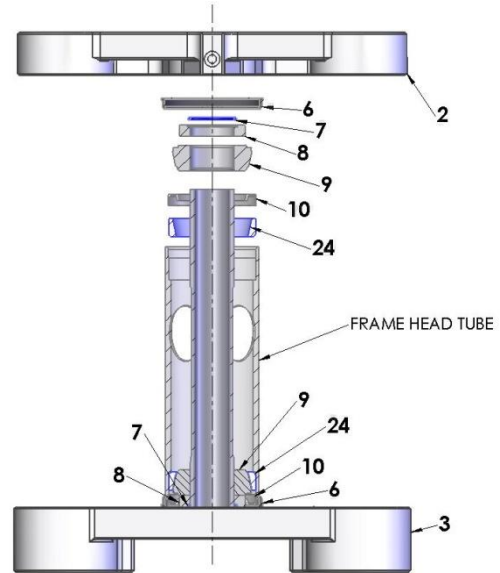
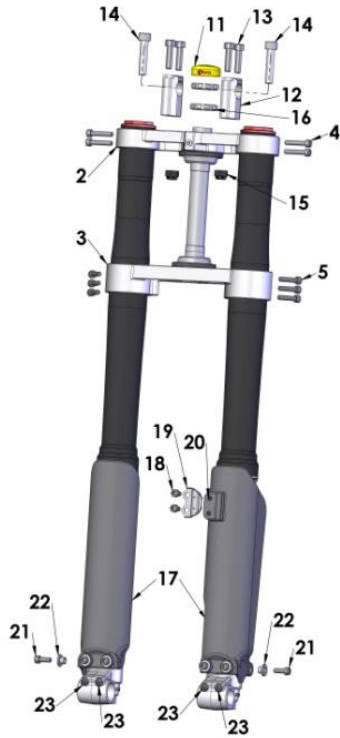
Transmission		
REF #	PART #	DESCRIPTION
1	ECC60027	CRANKSHAFT CX65
2	ECDC0023	BEARING, CRANKSHAFT
3	ECDC0024	SEAL, CRANKSHAFT
ACCESSORY	EKEX0001	ROD KIT
4	EKC62013	ENGINE CASE SET W/B&S CX65
5	ECC60028	BUSHING ENGINE / SWINGARM PIVOT CX65
6	HCDP1401	DOWEL, SOLID CENTERING (2 REQ'D)
Left Case Screws	HCBC0604	M6X35mm SOCKET HEAD CAP SCREW (4 REQ'D)
Right Case Screws	HCBC0603	M6X30mm SOCKET HEAD CAP SCREW (7 REQ'D)
Right Case Screws	HCBC0607	M6X50mm SOCKET HEAD CAP SCREW (1 REQ'D)
7	ZCC60008	GASKET CRANKCASE CX65
8	ECKG0031	BEARING, PRIMARY SHAFT IGNITION SIDE
9	ECDC0006	GEAR, 2 ND PRIMARY, 16T
10	ECDC0005	GEAR, 5 TH PRIMARY, 23T
11	ECDC0003	SNAP RING, EXTERNAL 17mm (2 REQ'D)
12	ECDC0004	GEAR, 3 RD /4 TH PRIMARY, 18/21T
13	ECDC0002	GEAR, 6 TH PRIMARY 24T
14	ECDC0001	SHAFT, TRANSMISSION PRIMARY (1 ST GEAR), 13T
15	ECMU0016	BEARING, PRIMARY SHAFT CLUTCH SIDE
16	ECC60070	SHIFT ROD (2 REQ'D)
17	ECC60071	SPRING SHIFT ROD (4 REQ'D)
18	ECDC0048	SHIFT FORK, INPUT
19	ECDC0049	SHIFT FORK, OUTPUT (2 REQ'D)
20	ECC60084	BEARING SHIFT DRUM (IGN SIDE)
21	EAC60010	SHIFT DRUM (2 PIECE ASSEMBLY)
22	ECC60118	CHANGE DRUM DOWEL PIN Ø4mm X10mm
23	ECDC0022	BEARING, SHIFT DRUM
24	ECKGBR01	BEARING, OUTPUT IGNITION SIDE
25	ECDC0007	SHAFT, TRANSMISSION OUTPUT
26	ECDC0014	GEAR, 2 ND OUTPUT, 31T
27	ECDC0017	SHAP RING, EXTERNAL 18mm (3 REQ'D)
28	ECDC0013	GEAR, 5 TH , OUTPUT, 30T
29	ECDC0011	GEAR, 4 TH OUTPUT, 28T
30	ECDC0010	GEAR, 3 RD OUTPUT, 34T
31	ECDC0015	GEAR, 6 TH OUTPUT, 26T
32	ECDC0016	GEAR, 1 ST OUTPUT, 37T
33	ECDC0021	BEARING, OUTPUTSHAFT CLUTCH SIDE
ACCESSORY	ECMU0040	SHIM TRANSMISSION 0.030" (0.8mm) THICK
ACCESSORY	ECMU0040T	SHIM TRANSMISSION 0.015" (0.4 mm) THIN

Parts – Exhaust System



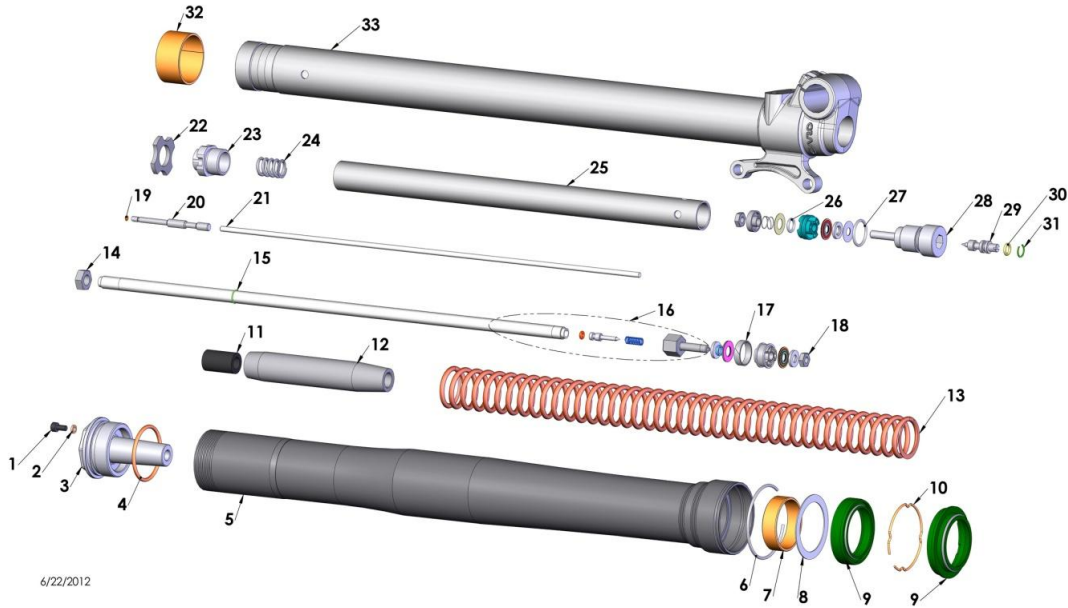
Exhaust System		
REF #	PART #	DESCRIPTION
1	XAC62013	EXPANSION CHAMBER – PRO CIRCUIT
2	XCMU0033	ISOLATION MOUNT
3	HCHA0003	6mm CLIP NUT-PLASTIC/PIPE MNT (1 REQ'D FOR PIPE & 2 REQ'D FOR SILENCER)
4	HCBF0616	M6X16mm FLANGE HEAD BOLT (2 REQ'D)
5	ZCMOTE11	O-RING – EXHAUST (2 REQ'D)
6	ZCMUOR11	O-RING - EXHAUST FACE SEAL
7	XCMU0005	SPRING – PIPE – SHORT
8	XCKG0009	GROMMET – SILENCER TO PIPE
9	XAC60001	SILENCER – PRO CIRCUIT
10	MCMUGR03	GROMMET FOR RADIATOR (2 REQ'D)
11	TCKG0001	SPACER GENERAL 1/2"DIA 13.2 LG (2 REQ'D)
12	TCC60016	SPACER TOP HAT (2 REQ'D)
13	HCBF0633	M6X35mm FLANGE HEX-8mm HEAD
ACCESSORY	XCMU0026	SILENCER PACKING KIT

Parts – Forks & Triple Clamps



Forks & Triple Clamps		
REF #	PART #	DESCRIPTION
1	KAC62013	FORK COMPLETE, BRAKE & NON-BRAKE SIDE
2	FCC60062	TOP TRIPLE CLAMP
3	FAC60022	TRIPLE CLAMP BOTTOM ASS'Y (CLAMP & STEERING STEM)
4	HCBC0603	M6X30mm SOCKET HEAD CAP SCREW (4 REQ'D) (TOP)
5	HCBC0625	M6X25mm SOCKET HEAD CAP SCREW (6 REQ'D) (BOTTOM)
6	FCMU1103	DUST COVER (2 REQ'D)
7	SCMU0036	O-RING (2 REQ'D)
8	FCMU0023	SPACER (2 REQ'D)
9	FCMU0004	STEERING HEAD BEARING (2 REQ'D)
10	FCMU0024	SEAL (2 REQ'D)
11	FCMU0151	CAP – STEERING STEM
12	TKMU0404	BAR MOUNT KIT, SHORT (1 REQ'D) STANDARD
12	TKMU0403	BAR MOUNT KIT, TALL (1 REQ'D)
13	HCBC0806	M8X30mm SOCKET HEAD CAP SCREW (4 REQ'D)
14	HCBC1001	M10X45mm SOCKET HEAD CAP SCREW (2 REQ'D)
15	HCNL1001	M10 LOCK NUT (2 REQ'D)
16	HCNJ0102	STEERING HEAD JAM NUT (2 REQ'D)
17	KCC60014	FORK GUARDS - PAIR (3 BOLT STYLE)
18	HCBC0612	M6X12mm SOCKET HEAD CAP SCREW (2 REQ'D)
19	BCC60015	CLAMP - BRAKE LINE
20	HCNS0601	M6 NUT (2 REQ'D)
21	HCBC0601	M6X16mm SOCKET HEAD CAP SCREW (6 REQ'D) GUARD
22	TCC60019	SPACER - FORK GUARD MOUNTING (6 REQ'D)
23	HCBC0601	M6X16mm SOCKET HEAD CAP SCREW (4 REQ'D) AXLE
24	FCMU0011	STEERING HEAD RACE (2 REQ'D)
ACCESSORY	FKMU0003	KIT - STEERING STEM SEALS AND SPACERS

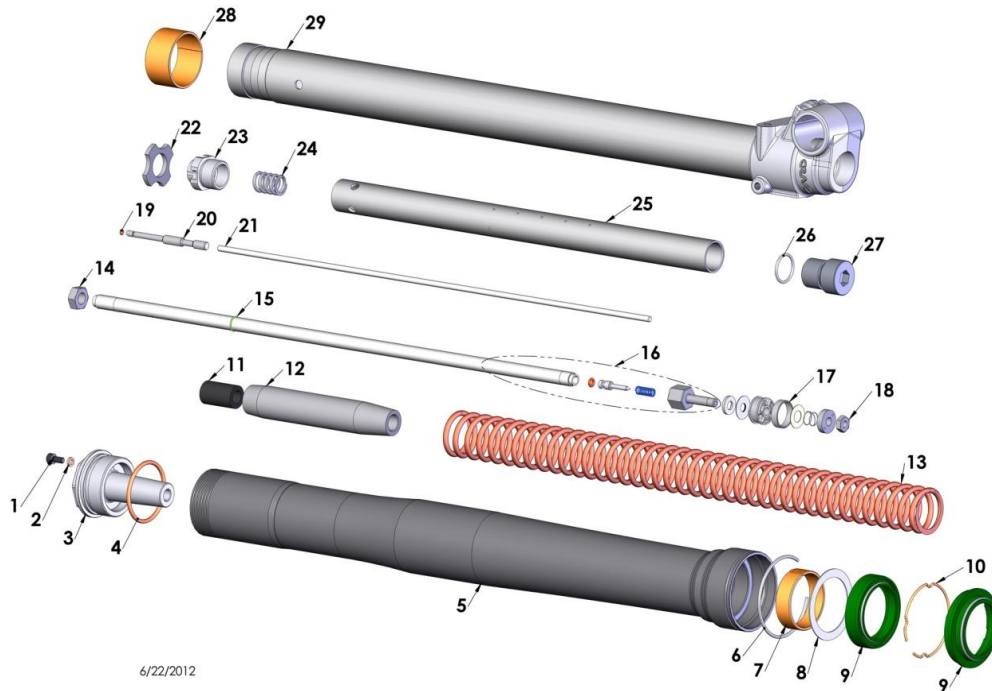
Parts – Fork – Leg Assembly – Brake Side



6/22/2012

Fork – Leg Assembly – Brake Side		
REF #	PART #	DESCRIPTION
1	HCBC0408	M4X8mm SOCKET HEAD CAP SCREW (BLEED SCREW)
2	ZCKG0001	GASKET BLEED SCREW
3	KCC60044L	FORK CAP
4	ZCC60011	O-RING FORK CAP
5	KCC60037	FORK OUTER TUBE
6	KCC60043	FORK OUTER WEAR RING CLIP
7	KCC60041	FORK GUIDE RING BOTTOM
8	KCC60047	FORK SEAL SPACER
9	KCC60003	FORK SEAL & SWIPER KIT - 37mm - CX65
10	KCC60066	FORK SEAL RETAINER RING CLIP
11	KCC60067	FORK BUMPER
12	KCC60064	FORK SPRING GUIDE
13	KCC63726	FORK SPRING .26 KG/MM (SINGLE)
13	KCC63724	FORK SPRING .24 KG/MM (SINGLE)
13	KCC63728	FORK SPRING .28 KG/MM (SINGLE)
14	HCNL3824	3/8-24 JAM NUT CLASS 8
15	KCC60068	FORK SPRING GUIDE RETAINER RING CLIP
16	KAC60003	FORK DAMPER ROD ASSEMBLY
17	KCCS0018	FORK MID VALVE SEAL
18	HCNJ0006	M6 JAM NUT
19	BCKG0003	O-RING 2mm ID
20	KCC60052	FORK ADJUSTMENT SCREW TOP
21	KCC60049	FORK REBOUND ADJUSTMENT SCREW PIN
22	KCC60042	FORK SPRING PERCH
23	KCCS0001	FORK CARTRIDGE CAP
24	KCKG0050	FORK TOP OUT SPRING
25	KCKG0019	FORK CARTRIDGE TUBE
26	KCMU0021	O-RING FORK BASE VALVE PISTON
27	ZCKGB017	O-RING FORK BOTTOM PLUG
28	KCC60038	FORK BOTTOM PLUG
29	KCC60048	FORK ADJUSTMENT SCREW BOTTOM
30	ZCMUOR03	O-RING
31	KCC60065	FORK ADJUSTMENT SCREW BOTTOM RING CLIP
32	KCC60036	FORK GUIDE RING TOP
33	KAC60001	FORK LOWER BRAKE SIDE (NOT SOLD SEPARATELY)

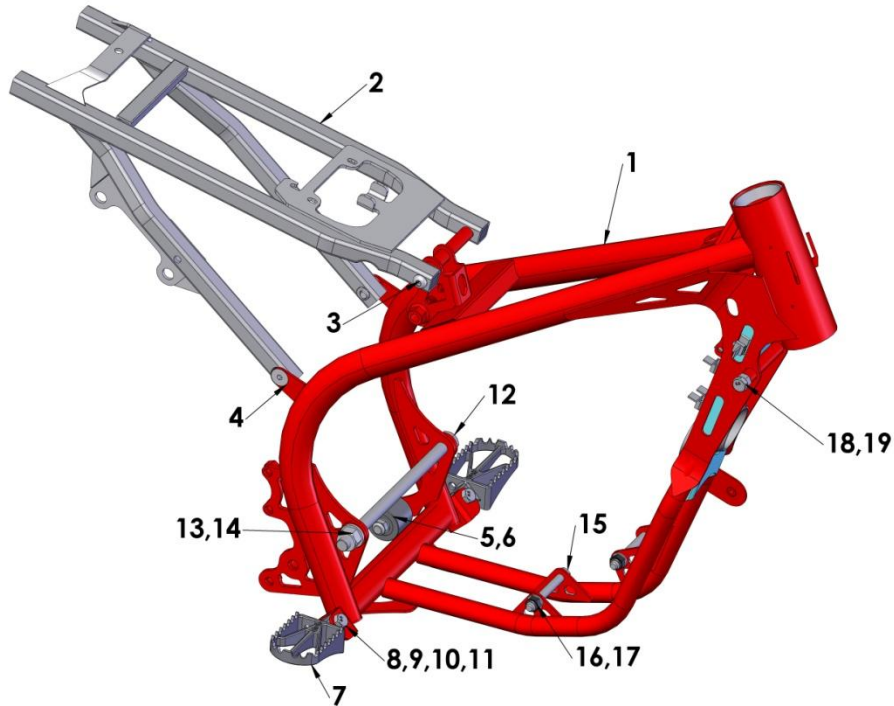
Parts – Fork – Leg Assembly – Non-Brake Side



6/22/2012

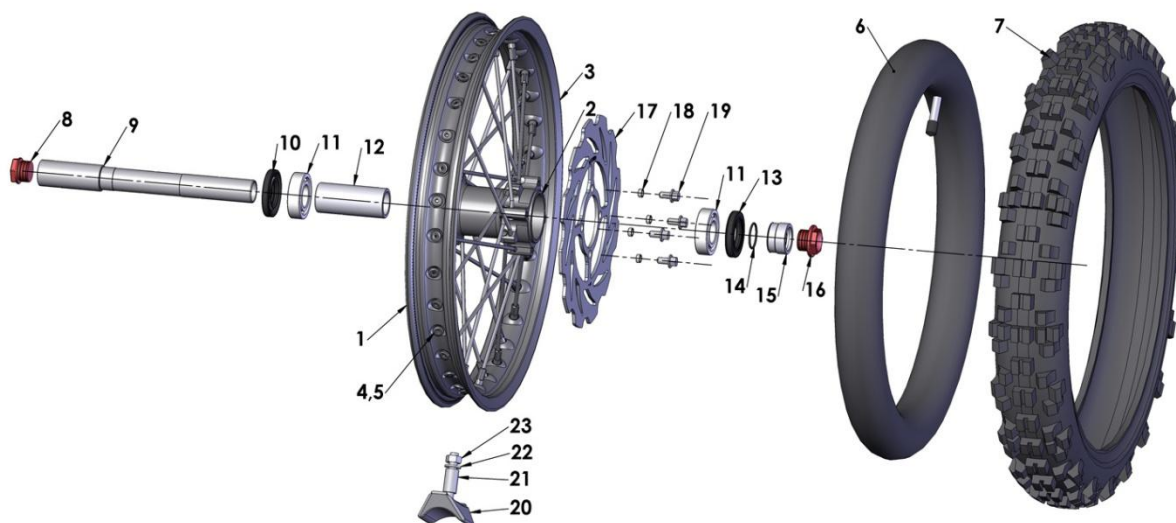
Fork – Leg Assembly – Non-Brake Side		
REF #	PART #	DESCRIPTION
1	HCBC0408	M4X8mm SOCKET HEAD CAP SCREW (BLEED SCREW)
2	ZCKG0001	GASKET BLEED SCREW
3	KCC60044R	FORK CAP
4	ZCC60011	O-RING FORK CAP
5	KCC60037	FORK OUTER TUBE
6	KCC60043	FORK OUTER WEAR RING CLIP
7	KCC60041	FORK GUIDE RING BOTTOM
8	KCC60047	FORK SEAL SPACER
9	KKC60003	FORK SEAL & SWIPER KIT - 37mm - CX65
10	KCC60066	FORK SEAL RETAINER RING CLIP
11	KCC60067	FORK BUMPER
12	KCC60064	FORK SPRING GUIDE
13	KCC63726	FORK SPRING .26 KG/MM (SINGLE)
13	KCC63724	FORK SPRING .24 KG/MM (SINGLE)
13	KCC63728	FORK SPRING .28 KG/MM (SINGLE)
14	HCNL3824	3/8-24 JAM NUT CLASS 8
15	KCC60068	FORK SPRING GUIDE RETAINER RING CLIP
16	KAC60003	FORK DAMPER ROD ASSEMBLY
17	KCCS0018	FORK MID VALVE SEAL
18	HCNJ0006	M6 JAM NUT
19	BCKG0003	O-RING 2mm ID
20	KCC60052	FORK ADJUSTMENT SCREW TOP
21	KCC60049	FORK REBOUND ADJUSTMENT SCREW PIN
22	KCC60042	FORK SPRING PERCH
23	KCCS0001	FORK CARTRIDGE CAP
24	KCKG0050	FORK TOP OUT SPRING
25	KCC60056	FORK CARTRIDGE TUBE - SMART
26	ZCKGB017	O-RING FORK BOTTOM PLUG
27	KCC60057	FORK BOTTOM PLUG - SHORT
28	KCC60036	FORK GUIDE RING TOP
29	KAC60002	FORK LOWER BRAKE SIDE (NOT SOLD SEPARATELY)

Parts – Frame



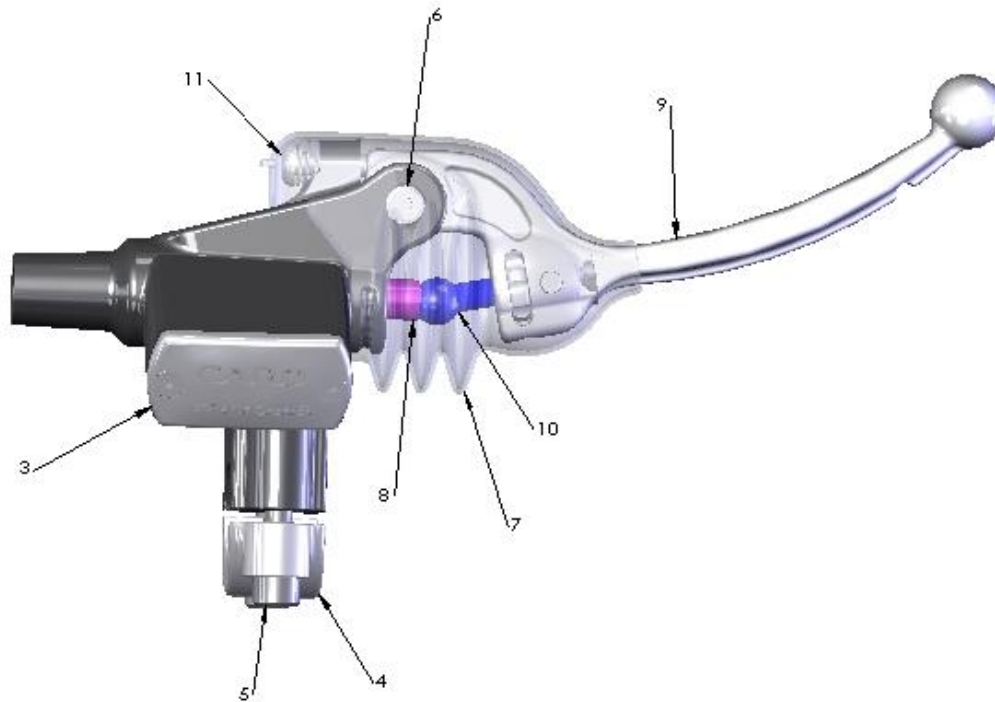
Frame		
REF #	PART #	DESCRIPTION
1	FAC62012	FRAME WELDED ASSEMBLY
2	FAC60016	SUBFRAME CX65
3	HCBB0835	8X35MM BUTTON HEAD SCREW (2 REQ'D) – TOP MOUNT
4	HCFH0825	8X25MM FLAT HEAD CAP SCREW – (2 REQ'D) – BOTTOM MOUNT
5	FCC60020	CHAIN ROLLER WITH BEARINGS & SEALS
6	BCDC0153	WASHER
7	TCMU0139	FOOTPEG SET ULTRA WIDE CX65 WITH SPRINGS
8	TCC60012	FOOTPEG SPRING ULTRA WIDE 07 (2 REQ'D)
9	HCBH0840	8MM X 40 HEX HEAD 30MM NO THRD – FOOTPEG (2 REQ'D)
10	HCWF0803	8MM FLAT WASHER
11	HCNL0802	8MM LOCKNUT – FOOTPEG (2 REQ'D)
12	WCKG0011	SWINGARM PIVOT BOLT
13	HCWF1202	12MM FLAT WASHER
14	HCNL1201	12MM LOCKNUT
15	HCBH0865	8X65MM HEX HEAD – FRONT ENGINE MOUNTS (2 REQ'D)
16	HCWF0801	8MM FLAT WASHER – FRONT ENGINE MOUNTS (4 REQ'D)
17	HCNL0801	8MM LOCKNUT – FRONT ENGINE MOUNTS (2 REQ'D)
18	HCBH0807	8X20MM HEX HEAD – STEERING STOP (2 REQ'D)
19	HCNS0801	8MM NUT – STEERING STOP (2 REQ'D)
NOT SHOWN	MCMUZT28	ZIP TIE – REUSABLE

Parts – Front Wheel



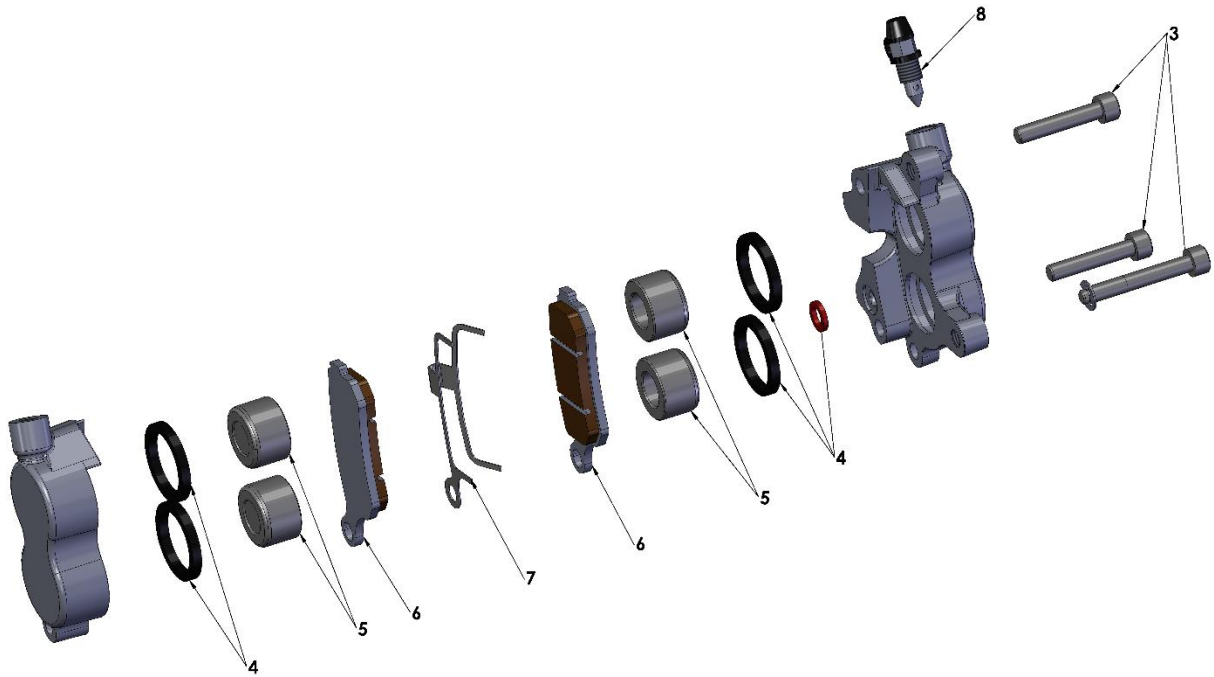
Front Wheel		
REF#	PART #	DESCRIPTION
1	WAC6FR03B	WHEEL 14" FRONT WITH BEARINGS & SEALS (NO TIRE, OR TUBE.), BLACK
2	WCC60022	HUB FOR CX65 – FRONT
3	WCMU1400B	14" RIM, BLACK
4	WCDC0002	SPOKE-FRONT WHEEL-65 (32 REQ'D)
5	WCDC0011	NIPPLE-SPOKE 9GA. STAINLESS (32 REQ'D)
6	WCDCTU14	TUBE – 60/100-14 FRONT
7	WCC6F014D	TIRE-DUNLOP 60/100-14 MX51
8	WCC60024	PLUG - AXLE - NON BRAKE SIDE (SMALER ONE)
9	WCC60021	AXLE FRONT STEEL
10	WCC60029	SEAL BEARING NON-BRAKE SIDE FRONT HUB
11	WCC60027	BEARING, WHEEL-SEALED (2 REQ'D)
12	WCC60030	SPACER WHEEL BEARING FRONT
13	WCC60026	SEAL BEARING BRAKE SIDE FRONT HUB
14	ZCMUOR22	O'RING – SPACER – FRONT AXLE
15	WCC60025	WHEEL SPACER FRONT LEFT
16	WCC60023	PLUG - AXLE - BRAKE SIDE (LARGER ONE)
17	BCC60040	BRAKE ROTOR FRONT – FLOATER – 206mm
18	ECC60055	SPACER – FLOATING ROTOR (4 REQ'D)
19	HCBF1612	M6X12mm FLANGE HEAD – LOW PROFILE (4 REQ'D)
20	WCMU0110	RIM LOCK - 1.4/1.6
21	WCDC0008	RIM LOCK SPACER
22	HCWF0801	8mm FLAT WASHER
23	HCNS0801	M8 NUT

Parts – Front Brakes – Master Cylinder



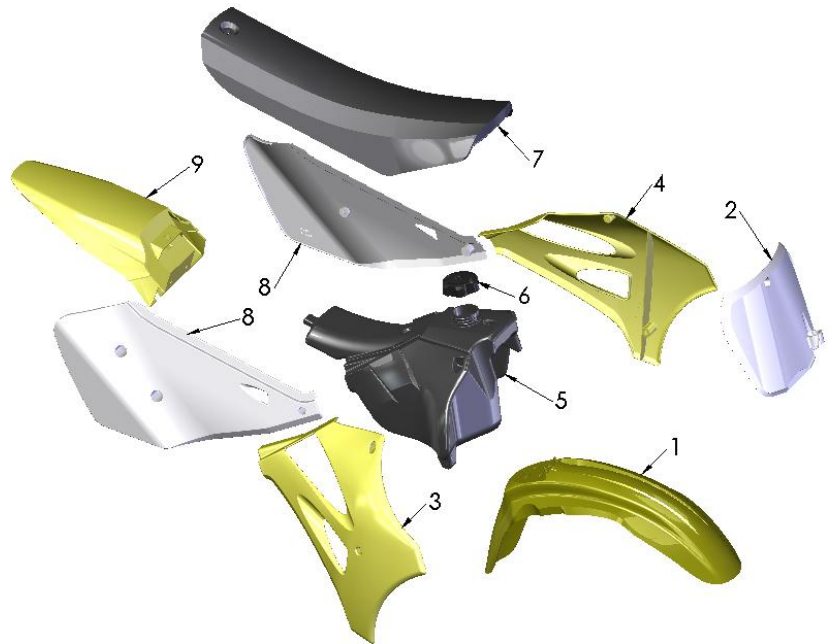
Front Brakes		
REF#	PART #	DESCRIPTION
1	BAC60008	ASSY COMPLETE - FRONT CX65 ZL150 (M/C-LINE-CALIPER)
2	BAC60010	MASTER CYLINDER - FRONT (M/C) ASSEMBLY CX65 ZL150
3	BKC60008	CAP & BLADDER KIT ZL150
		<i>CAP ZL150</i>
		<i>BLADDER - M/C CAP ZL150</i>
		<i>M3-0.5 X 6mm LONG PHILLIPS SCREW (2)</i>
4	BCC60058	CLAMP - M/C ZL150
5	HCBC0601	M6-1.0 X 25mm LONG SOCKET HEAD CAP SCREW
6	BKC60007	BOLT KIT M/C PIVOT ZL150
7	BCC60055	BOOT ZL150
8	BKC60004	REBUILD KIT - MASTER CYLINDER ZL150
		<i>PISTON ZL150</i>
		<i>SEAL - PISTON - FRONT ZL150</i>
		<i>SEAL - PISTON - REAR ZL150</i>
		<i>SPRING ZL150</i>
		<i>CLIP ZL150</i>
		<i>SPACER ZL150</i>
9	BCC60057	LEVER ZL150
10	BKC60005	ADJUSTMENT KIT ZL150
		<i>SPRING ZL150</i>
		<i>BALL ZL150</i>
		<i>DIAL ZL150</i>
		<i>SET SCREW ZL150</i>
		<i>BALL PIVOT ZL150</i>
11	BKC60006	KIT - LEVER ADJUSTER BOLT & SPRING ZL150
12	BCC60054	LINE - FRONT CX65 ZL150
NOT SHOWN	BCC60017	BOOT – MASTER CYLINDER PISTON COVER

Parts – Front Brakes – Caliper



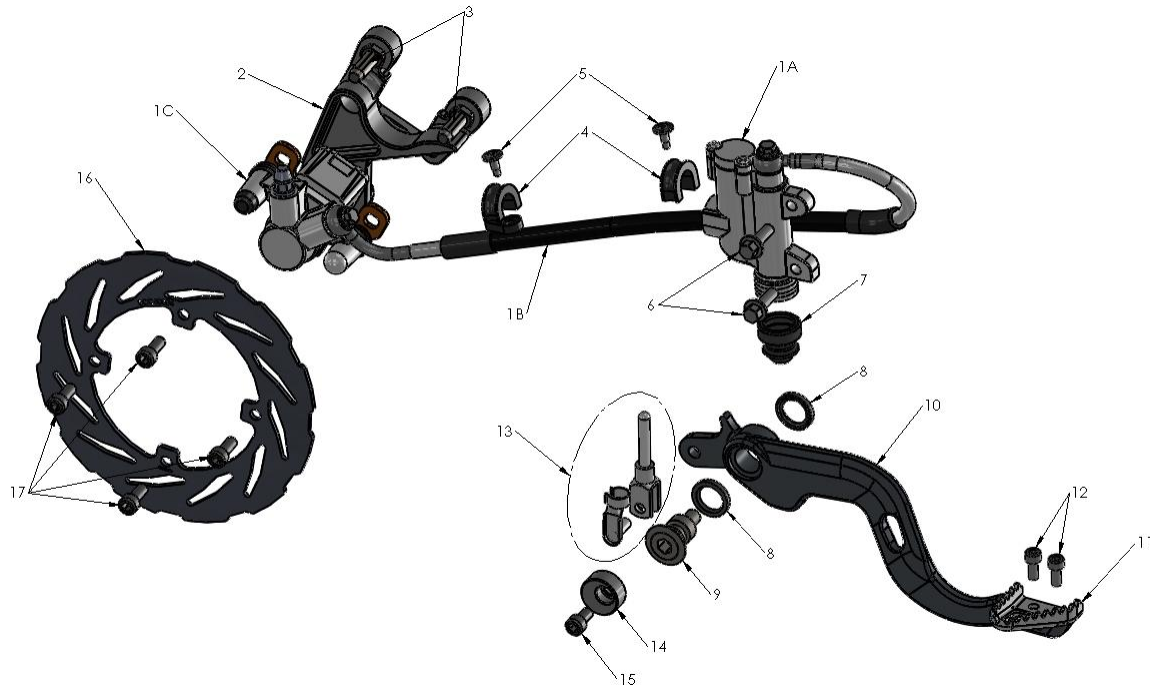
Front Brakes		
REF#	PART #	DESCRIPTION
1	BAC60008	ASSY COMPLETE - FRONT CX65 (M/C-LINE-CALIPER) ZL150
2	BAC60009	CALIPER ASSY - CX65 ZL150
3	BKC60003	CALIPER FASTENER KIT ZL150
		<i>PAD PIN - ZL150</i>
		<i>CLIP - PIN ZL150</i>
		<i>2 - M6X32mm LONG ZL150</i>
4	BKC60002	SEAL KIT – CALIPER ZL150
		<i>1 - CALIPER CENTER SEAL ZL150</i>
		<i>4 - SEAL BRAKE PISTON ZL150</i>
5	BCC60068	PISTON - CALIPER ZL150 (4 REQUIRED)
6	BCC60050	PAD SET ZL150
7	BCC60051	SPRING - PAD ZL150
8	BCC60033	BLEED SCREW & CAP KIT
9	BCC60054	LINE FRONT CX65 ZL150 (NOT SHOWN)

Parts – Bodywork



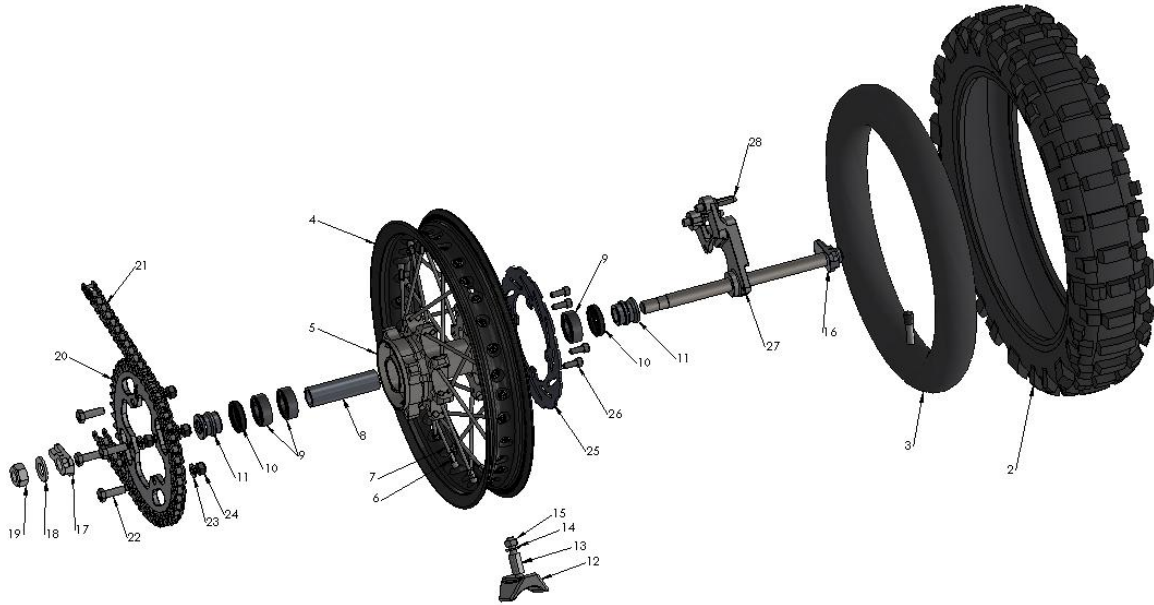
Plastic and Seat		
REF #	PART #	DESCRIPTION
1	TCC60020	FRONT FENDER – YELLOW - STANDARD
1	TCC60020BLK	FRONT FENDER – BLACK
1	TCC60020WHT	FRONT FENDER – WHITE
1A	HCBF0616	FENDER BOLT, M6X16 FLANGE HEAD (4 REQ'D)
1B	TCC60021	SPACER – FRONT FENDER BOLT (4 REQ'D)
2	TCC60002W	NUMBER PLATE FRONT - WHITE - STANDARD
2	TCC60002B	NUMBER PLATE FRONT - BLACK
2	TCC60002	NUMBER PLATE FRONT - YELLOW
2A	HCBF0616	M6X16mm FLANGE HEAD BOLT – FRONT NUMBER PLATE MOUNT
3	TCC60023	SHROUD RIGHT – YELLOW
3A	TCC60017	BODY PANEL WASHER 5mm (2 REQ'D) – MT SHROUD TO TANK
3B	HCBC0516	M5X16mm SHCS (2 REQ'D) – MT SHROUD TO TANK
4	TCC60022	SHROUD LEFT – YELLOW
4A	TCC60017	BODY PANEL WASHER 5mm (1 REQ'D) – MT SHROUD TO TANK
4B	HCBC0516	M5X16mm SHCS (1 REQ'D) – MOUNT SHROUD TO RADIATOR
4C	HCCN0000	5mm EXTRUDED “U” NUT
5	TCC60024	FUEL TANK (NO PETCOCK OR CAP)
5A	HCBC0503	M5X30mm SHCS – FRONT TANK MOUNTING
5B	TCC60027	SPACER – FRONT TANK MOUNTING
5C	TCC60029	SPACER – SEAT MOUNT
5D	HCFH0620	M6X20mm FLAT HEAD – FRONT SEAT MOUNT
5E	TCMU0151	PETCOCK
6	TCHA0002	CAP – FUEL TANK
6A	TCHA0003	HOSE – FUEL TANK
7	TAC60002	SEAT – CX65
7A	TCC60028	SEAT COVER REPLACEMENT
7B	HCBC0625	M6X25mm SOCKET HEAD CAP SCREW – SEAT HOLDING
7C	TCC60018	SPECIAL WASHER – SEAT HOLDING
8	TCC60005WHT	SIDE NUMBER PLATE – PAIR – WHITE – STANDARD
8	TCC60005BLK	SIDE NUMBER PLATE – PAIR – BLACK
8	TCC60005	SIDE NUMBER PLATE – PAIR – YELLOW
8A	HCBC0516	M5X16mm SOCKET HEAD CAP SCREW (3 REQ'D)
8B	HCBF0630	M6X30mm FLANGE HEAD BOLT – SILENCER (2 REQ'D)
8C	TCC60017	BODY PANEL WASHER 5mm (3 REQ'D)
8D	TCC60016	BODY PANEL WASHER 6mm (2 REQ'D)
9	TCC60007WHT	FENDER – REAR – WHITE – STANDARD
9	TCC60007BLK	FENDER – REAR – BLACK
9	TCC60007	FENDER – REAR – YELLOW
9A	HCSP0003	PLASCREW – FENDER TO AIRBOX (2 REQ'D)
9B	HCBC0516	M5x16mm SOCKET HEAD CAP SCREW (2 REQ'D)
9C	HCWP0002	WASHER - BODY PANEL FLAT (2 REQ'D)
9D	HCHA0003	CLIP NUT – M6
ACCESSORY	TKC60001B	BODYWORK KIT - BLACK
ACCESSORY	TKC60001W	BODYWORK KIT - WHITE
ACCESSORY	TKC60001FLO	BODYWORK KIT – FLO YELLOW

Parts – Rear Brake



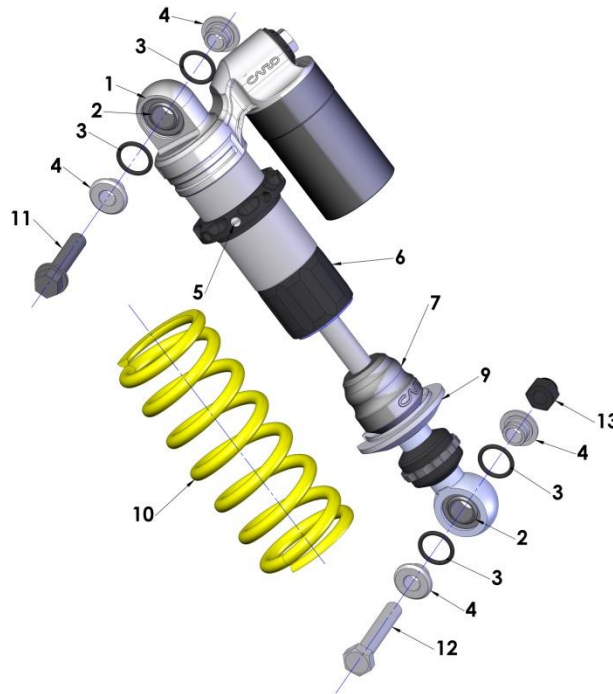
Rear Brake System		
REF #	PART #	DESCRIPTION
1	BAC60005	BRAKE ASSEMBLY REAR (MASTER CYLINDER, LINE AND CALIPER)
1A	BCC60071	MASTER CYLINDER CX65 12.7mm
1B	BCC60027	LINE REAR CX65
1C	BCC60029	CALIPER CX65
2	BAC60074	BRACKET – CALIPER MOUNTING
3	BCC60073	PIN - CALIPER BRACKET
4	HCCC0005	HOSE GUIDE (2 REQUIRED)
5	HCPP0832	#8X1/2 SELF TAPING SCREW (2 REQUIRED)
6	HCBF0620	M6X20mm FLANGE HEX-8MM HEAD
7	BCMU0022	RUBBER CAP - BOTTOM OF MASTER CYLINDER
8	BCMU0501	SEAL-BRAKE PEDAL (2 REQUIRED)
9	BCMU0027	PIVOT BOLE – ALUMINUM BRAKE PEDAL
10	BCMU0023	BRAKE PEDAL WITH TOE PIECE
11	BCMU0023T	TOE PIECE – BRAKE PEDAL
12	HCBC0501	M5X 12mm SOCKET HEAD CAP SCREW
13	BCDC0004	PUSH ROD ASSEMBLY WITH CLEVIS - CX65
14	FCEX0018	ECCENTRIC - ADJUST
15	HCBC0612	M6X12mm SOCKET HEAD CAP SCREW
16	BCC60004	ROTOR REAR
17	HCBC0601	M6X16mm SOCKET HEAD CAP SCREW (4 REQUIRED)
NOT SHOWN	BCC60075	BRAKE RETURN SPRING (INTERNAL< MASTER CYLINDER)
ACCESSORY	BCC60030	PAD SET CX65 SEMI-METALLIC
ACCESSORY	BCKG0031	BLEED KIT (MULTIPLE SYRINGES, FITTINGS & HOSE)
ACCESSORY	BCC60046	BRAKE REAR SPRING CLIP
ACCESSORY	BCC60031	BELLOWS KIT CX65
ACCESSORY	BCC60032	PISTON KIT - CALIPER CX65
ACCESSORY	BCC60033	BLEED SCREW KIT CX65
ACCESSORY	BCC60034	CAP ONLY BLEED SCREW CX65
ACCESSORY	BCC60035	CAP & SEAL KIT - MASTER CYLINDER
ACCESSORY	BKC60009	REBUILD KIT - MASTER CYLINDER
ACCESSORY	BCC60037	CLEVIS KIT
ACCESSORY	BCC60038	BANJO BOLT AND WASHER KIT
ACCESSORY	BCC60045	SHARK FIN

Parts – Rear Wheel



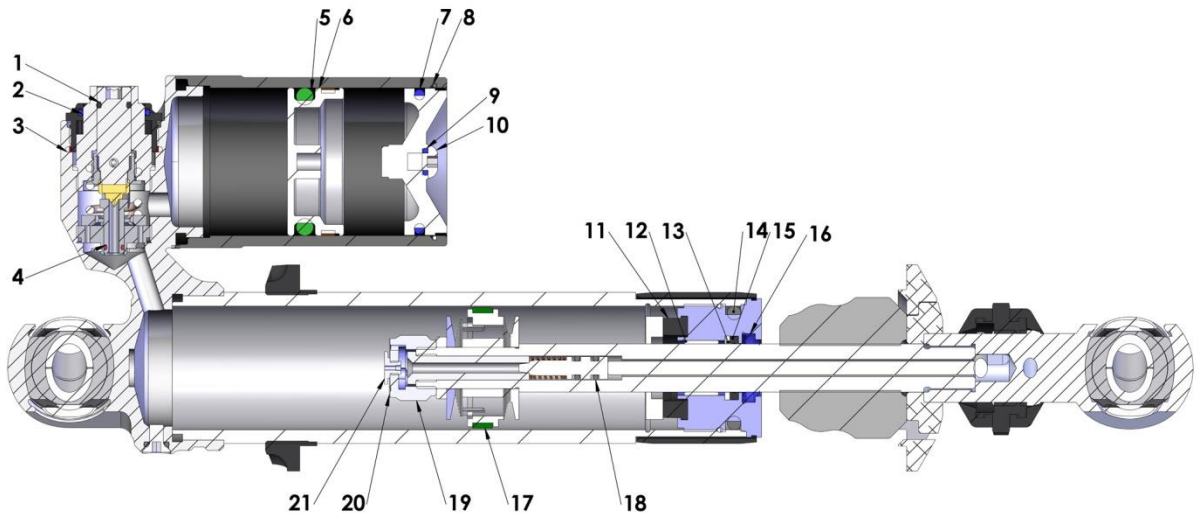
Rear Wheel		
REF #	PART #	DESCRIPTION
1	WAC6RR03B	WHEEL 12" REAR W BEARINGS (NO TIRE, TUBE, ROTOR OR SPROCKET), BLACK
2	WCC6R012D	TIRE – DUNLOP- 80/100-12 MX51
3	WCDCTU12	TUBE-275-80/100-12 REAR
4	WCMU1200B	12" RIM, BLACK
5	WCC60034	HUB REAR SEALED
6	WCDC0003	SPOKE-REAR WHEEL-65 (32 REQ'D)
7	WCDC0011	NIPPLE-SPOKE 9GA. STAINLESS (32 REQ'D)
8	WCC60037	SPACER – REAR WHEEL BEARING
9	WCMU0120	BEARING, WHEEL
10	WCC60035	SEAL – REAR HUB
11	WCC60036	SPACER – L&R REAR WHEEL
12	WCMU0110	RIM LOCK - 1.4/1.6
13	WCDC0008	RIM LOCK SPACER
14	HCWF0801	8mm FLAT WASHER
15	HCNS0801	8mm NUT
16	WCC60004	AXLE REAR CX65
17	GCC60010	CHAIN ADJUST BLOCK OFFSET
18	HCWF1400	14mm FLAT WASHER
19	HCNL1402	M14 LOCKNUT
20	PCDC00xx	SPROCKET – xx denotes number of teeth (37-53)
21	PCMU0116	CHAIN 420H 116 LINK CX65 14/48
22	HCBH0825	M8X25mm HEX HEAD (4 REQ'D)
23	HCWF0801	8mm FLAT WASHER (4 REQ'D)
24	HCNL0801	8mm LOCK NUT (4 REQ'D)
25	BCC60004	BRAKE ROTOR REAR
26	HCBC0601	M6X16mm SHCS (4 REQ'D)
27	BCC60074	BRACKET – CALIPER MOUNTING
28	BCC60073	PIN - CALIPER BRACKET

Parts – Shock External



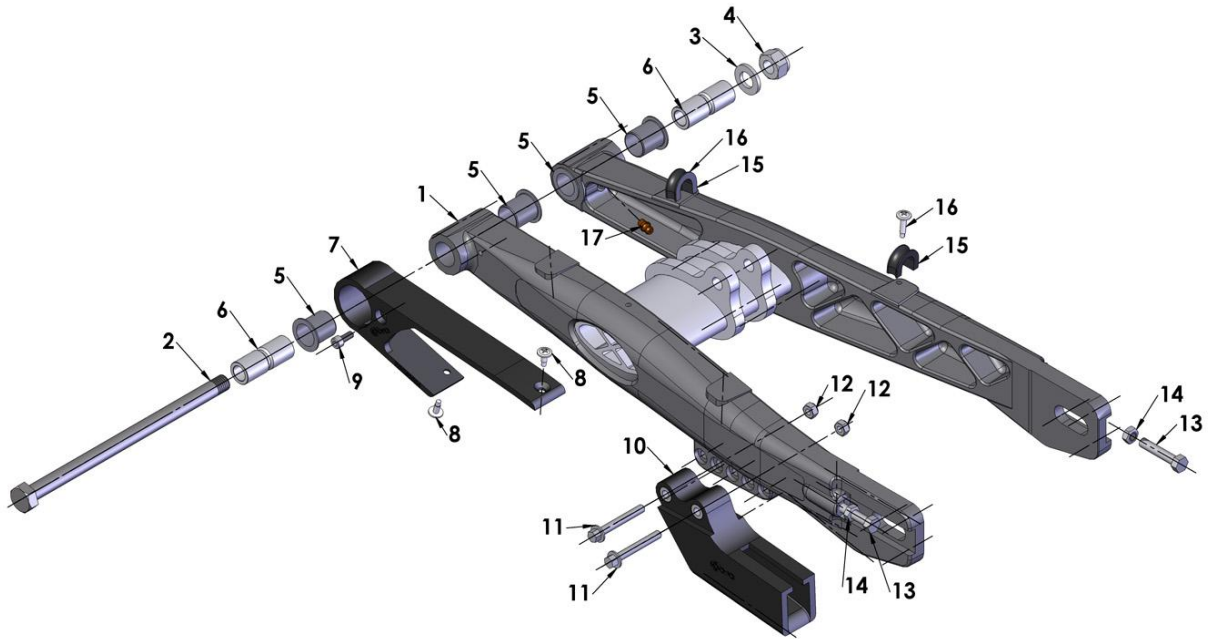
Shock		
REF #	PART #	DESCRIPTION
1	SAC62011	SHOCK ABSORBER – CX65
2	SCMU0043	SHOCK - BEARING SPHERICAL SHOCK MOUNT–CARD (2 REQ'D)
3	SCMU0039	O-RING - SHOCK - BUSHING – CARD (4 REQ'D)
4	SCMU0042	SHOCK - MOUNT BUSHING – CARD (4 REQ'D)
5	SCMU0058	SHOCK - WHITE NYLON TIP SETSCREW M6-1.0 - CARD
6	SCMU0056	SHOCK - SLEEVE BLACK - CARD
7	SCMU0100	BUMPER - TAPERED - SHOCK
8	SCMU0040	PAD - SPRING - CARD
9	SCMU0054	PERCH - SPRING - CARD
10	SCC60260P	SPRING STANDARD 260 LB/IN (45 N/mm) (YELLOW)
10	SCC60240P	SPRING EXTRA LIGHT 240 LB/IN (42N/mm) (WHITE)
10	SCC60280P	SPRING HEAVY 280 LB/IN (49 N/mm) (GOLD)
10	SCEX1300	SPRING HEAVY 300 LB/IN (53 N/mm) (RED)
11	HCBF1040	M10 X 40 HEX HEAD BOLT
12	HCBH1055	M10 X 55 HEX HEAD BOLT
13	HCNL1001	10mm LOCKNUT-REGULAR
ACCESSORY	SKC60002	REBUILD KIT – CARD SHOCK

Parts – Shock – Internal



Shock		
REF #	PART #	DESCRIPTION
1	SCMU0037	RING LOW SPEED COMP ADJUSTER
2	SCMU0038	O-RING HIGH SPEED COMP ADJUSTER
3	SCMU0036	O-RING COMP ADJUSTER CAP
4	SCC60007	O-RING COMPRESSION ADJUSTER
5	SCMU0051	O-RING - IFP
6	SCMU0052	IFP SEAL BAND
7	SCMU0033	O-RING SHOCK BASE
8	SCMU0050	RESERVOIR CAP RETAINER RING
9	SCMU0035	O-RING CHARGE CAP
10	HCB0506	M5X6mm LONG BUTTON HEAD STAINLESS STEEL
11	SCMU0044	BUMPER - SEAL HEAD
12	SCMU0048	SHAFT BUSHING
13	SCMU0046	X-RING SEAL - SHOCK
14	SCMU0034	O-RING SEAL HEAD
15	SCMU0047	SPACER - X-RING
16	SCMU0045	DUST SEAL - SHOCK SHAFT
17	SCC60014	PISTON BAND
18	SCMU0059	O-RING REBOUND PIN
19	SCC60013	CHECK VALVE NUT
20	SCC60011	CHECK VALVE SHIM .10 X 17 X 6
21	SCC60012	CHECK VALVE BOLT
ACCESSORY	SKC60002	REBUILD KIT – CARD SHOCK

Parts – Swingarm Assembly



Swingarm		
REF #	PART #	DESCRIPTION
1	GACX6511	SWINGARM ASSY ALUMINUM
2	GCC60015	BOLT - SWINGARM PIVOT
3	HCWF1202	12mm WASHER – SWINGARM PIVOT
4	HCNL1201	M12 LOCK NUT – SWINGARM PIVOT
5	GCC60002	SWINGARM BUSHING 07 65 (4 REQ'D)
6	GCC60001	SWINGARM PIVOT TUBE SPACER 07 65 (2 REQ'D)
7	TCC60004	CHAIN SLIDER TOP FOR SWINGARM
8	HCPP0832	#8 X 1/2 SELF TAPING SCREW (2 REQ'D FOR CHAIN SLIDER)
9	HCBC0501	M5X12mm SHCS – CHAIN SLIDER MOUNT
10	PCC60004	CHAIN GUIDE (BOTTOM) CX65
11	HCBF0640	M6X40mm FLANGE HEAD BOLT (2 REQ'D)
12	HCNL0601	M6 LOCK NUT (2 REQ'D)
13	HCNS0701	M7 NUT (2 REQ'D)
14	HCBH0701	M7X35mm HEX HEAD FULL THREAD (2 REQ'D)
15	HCCC0005	BRAKE - HOSE GUIDE (2 REQ'D)
16	HCPP0834	#8X3/4 SELF TAPING SCREW (2 REQ'D)
17	GCMU0012	FITTING – GREASE (2 REQ'D)

Service

This portion of the manual is still under development. If you have questions please call the Cobra technical support line at 517 437 9100.

Engine Service

One method for determining whether the top end of your engine needs rebuilt is to perform a WOT (Wide Open Throttle) kicking compression test. Before performing the procedure please read the caution notes below.

CAUTION:

- There appears to be a wide range of variability in reading compression gauges across the country.
- The head volume of this Cobra Motorcycle is very small and so requires many kicks ~20 before you establish the most accurate reading possible.
- Because of the geometry of the spark plug used in this Cobra Motorcycle, the adapter used with your compression tester must have a similar volume protruding into the combustion chamber to establish an accurate value.
- Length of hose on the compression tester will affect the reading. The shorter the hose length the more accurate your reading will be.

Because of these difficulties in measuring an *absolute* compression value, a useful *relative* value can be achieved by testing your bike's compression with your own particular gauge after a new top end or when the bike is new so that you know what your particular gauge reads on a 'fresh' engine. When it has dropped to 90% of its original value the engine will be down on power and would benefit from a rebuild. When it's dropped to 80% it really needs rebuilt! Using the table below will help you determine monitor the condition of your top end.

	Engine is Fresh Measured Value	Engine Down on Power Measured Value * 0.9	Engine NEEDS Rebuilt Measured Value * 0.8
Example	110 psi	110 psi * 0.9 = 99 psi	110 psi * 0.8 = 88 psi
Your Values			

Procedure for Compression Testing

1. Shut off the fuel petcock.
2. Install the compression gauge into the spark plug hole.
3. Hold the throttle to wide open, and kick repeatedly (approximately 20 times) or until the gauge reading does not increase in value with each kick.

Base Gasket Selection

Tools required

- 17mm wrench
- 1mm flexible solder material
- measurement calipers

When rebuilding the 'top end' of your Cobra motorcycle, care must be taken to ensure the proper squish clearance. Squish clearance is defined as the minimum distance between cylinder head and piston at TDC, and there are negative effects of either having too much or too little clearance. Since parts like the crank, connecting rod, cylinder head, piston, and crankcases all have varying tolerances, Cobra offers several different base gasket thickness' to ensure that you can always set the squish clearance of your engine to factory specifications.

For base gasket replacement use the code (see figure 21 for location) along with the table on the following page reorder the correct thickness gasket.

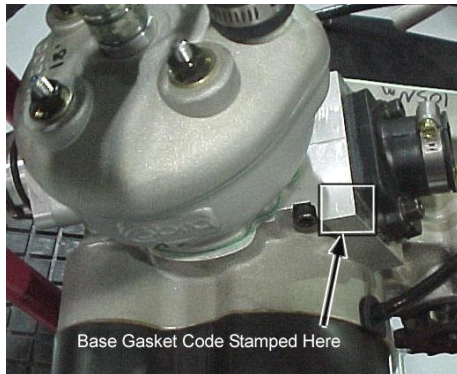


Figure 21

Supplied Base Gasket Thickness		Cobra #
mm	inch	
0.2	0.010	ZCC60302
0.3	0.0125	ZCC60303
0.4	0.015	ZCC60304
0.5	0.020	ZCC60305
0.6	0.025	ZCC60306
0.8	0.031	ZCC60308

NOTE: Tolerances will affect the actual gasket thicknesses.

If during the course of the maintenance more parts than the base gasket are changed, the squish clearance should be measured, and possibly a different base gasket will be required.

The easiest way to measure squish clearance is with 1mm to 1.5mm thick flexible solder wire (available through most popular electronic stores). The process is as follows:

- Assemble the top end of the engine with either; 1) the crankcase stamp recommended base gasket or, 2) if assembling with a new set of cases assemble with a 0.4mm (0.015") base gasket, and torque the head nuts to the proper torque specifications leaving off the spark plug and ignition cover (piston rings can be left off to ease assembly).
- Carefully insert the solder wire through the spark plug hole, into the cylinder far enough such that the tip of the wire touches the left or right side cylinder wall (not the front or back as the piston will rock more and give incorrect measurement).
- Hold the wire at this position and rotate the crankshaft, by the flywheel nut (or kick lever) three revolutions to 'smush' the solder wire.

CAUTION:

If you rotate the flywheel nut in a counterclockwise direction there is a risk of loosening the nut.

- Pull out the wire and measure the solder thickness at the thinnest location near its tip accurately with the thin tips of calipers.
- Adjust base gasket thickness as necessary to get the desired value.

Upon completion, your final assembly squish clearance should agree with the chart below

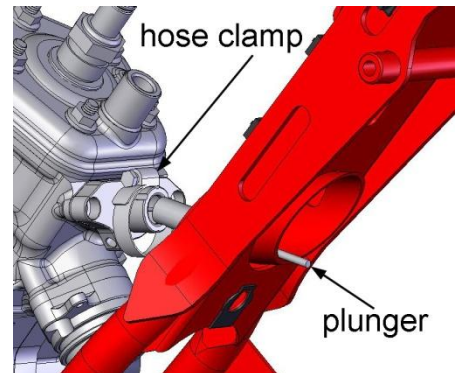


Power Valve

Disassemble to remove cylinder

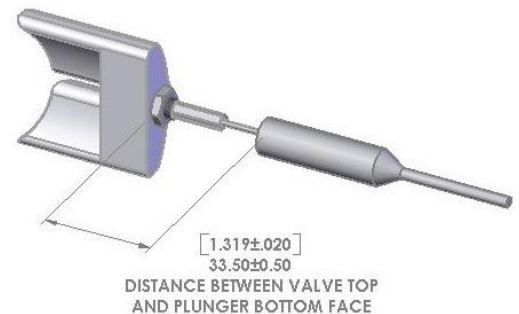
Disassembly

1. Remove the bolt that holds the PV clamp to the frame.
2. Remove the PV clamp by rotating it upward.
3. Remove the load spring and the cap.
4. Disconnect the electrical connector.
5. Loosen the hose clamp and slide the solenoid assembly out through the frame leaving the hose clamp hanging on the spigot of the PV cap (shown at right).
6. Disconnect the valve cable from the PV plunger, and remove the plunger.
7. Remove the two socket head cap screws holding the PV cover to the engine.
8. Remove the return spring and the valve with cable assembly.



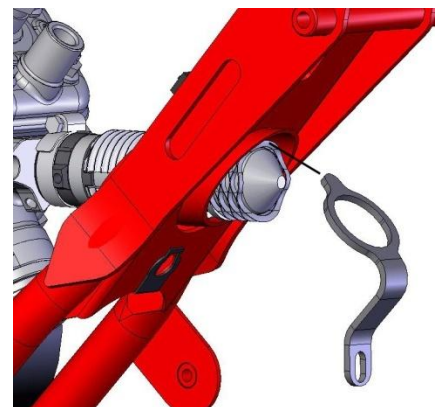
Clean inspect and assembly

1. Clean the components with mineral spirits.
2. The inside of the solenoid can also be cleaned with mineral spirits.
3. Inspect
 - a. The cable for frayed wires.
 - b. The valve for cracks.
 - c. The boot for cracks.
 - d. The electrical cable for exposed wires or breaks in the protective covering.
 - e. That the cable adjustment jam nut is secure (8 Nm, 6 ft-lb).
4. Proper cable to valve assembly should measure as shown at the right.



Installation

1. Apply some premix oil to the outside of the valve and install in the cylinder.
2. Install the valve return spring.
3. Install a new gasket and then the cover with the two screws
4. Hang the hose clamp onto the valve cover and also connect the plunger to the cable (as shown in the picture above).
5. Slide the solenoid through the frame, over the pv cover spigot and through the hose clamp (apply pressure to the assembly to insure it is tight to the engine).



6. Install the PV cap and load (wave) spring.
7. Install the PV clamp bracket by inserting it into the frame while compressing the load spring in the orientation shown.
8. Rotate the clamp handle down and secure with the bolt.

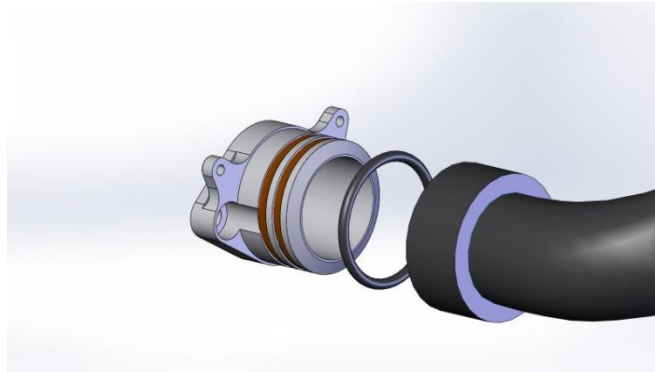
Solenoid Troubleshooting:

- 20 ohm
- 15 volts above ~8200 RPM

Exhaust

The 2014 pipe was designed and is produced by Pro Circuit.

The exhaust flange to pipe sealing arrangements is as shown. This seals better and remains in position better during installation. In 2014 they are two ZCMOTE11 and one ZCMUOR11.



Fuel & Air System

Carburetor:

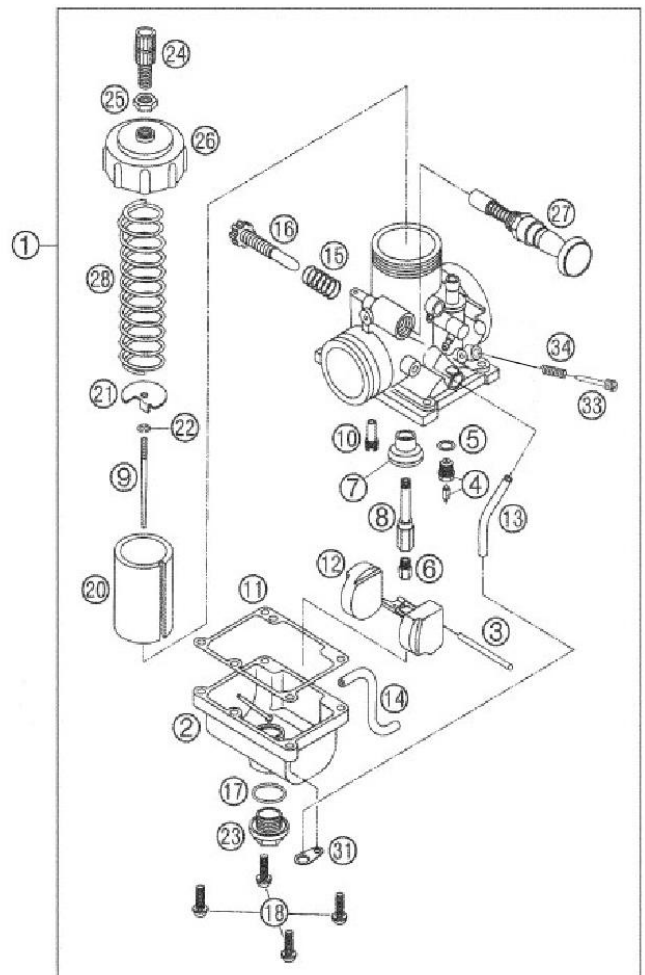
Tools recommended for carburetor service:

- Small flat head screwdriver
- WD-40
- 6mm socket

Your Cobra is equipped with an adjustable carburetor. Some fine-tuning may be needed according to weather condition and altitude. Proper jetting is **very** important for engine performance and engine life. Serious damage to the engine can occur if not properly adjusted.

IDLE ADJUSTMENT:

On the each side of the carburetor, there are two adjustment screws. The right side screw with the knurled head is the idle adjustment screw. To raise the idle, turn the screw in clockwise (in 1/4 turn



increments) and rev the engine after each adjustment. To lower the idle, turn the screw counter-clockwise.

TOP END JETTING:

Indications that the engine is running too rich (too much fuel for the air) are:

- Engine not revving out or blubbering at high RPMs.
- Engine will not 'clean out'
- Wet or black spark plug

NOTE: Before changing jetting be sure that the air filter is properly cleaned and has the usual amount of air filter oil. An overly dirty air filter can cause the engine to run rich.

If the engine is running rich on the top end it should be leaned out. Leaning it out can be done by:

1. Changing the main jet to a smaller number.
2. Raising the needle clip (this lowers the jet needle) one notch at a time on the slide.

Indications that the engine is running too lean are:

- Engine cutting out on top end.
- Engine overheating and ultimately seizure.
- White spark plug

CAUTION:

It is much safer to operate the engine slightly rich as opposed to slightly lean. This is because an overly rich engine will just run poorly while an overly lean engine will seize, potentially causing an expensive top end rebuild and a DNF.

To richen the carburetor:

1. Change the main jet one number at a time (larger).
2. Lower the needle clip (raising the jet needle) one notch at a time until the engine starts to blubber on the top end, then move the clip back up one notch or until you get the blubber out.

FUEL MIXTURE SCREW

The left side brass screw is a fuel mixture (air) screw. This screw will also richen and lean your engine more on the bottom and mid-range. In warmer conditions, turn the screw in. In colder conditions, turn the screw out. Be sure to keep the carburetor very clean and make sure you don't have water or dirt in the carburetor bowl. Use automotive carburetor cleaner or WD-40 to clean the carburetor inside and out. Turning the screw in richens the mixture at partial throttle openings. Turning the screw out, leans it.

Cleaning the carburetor:



Clean the carburetor in a well-ventilated area, and take care that there is no spark or flame anywhere near the working area; this includes any appliance with

a pilot light. Because of the danger of highly flammable liquids, do not use gasoline or low flash-point solvent to clean the carburetor.

1. Make sure the fuel is shut off.
2. Remove the carburetor.
3. Drain the fuel from the carburetor.
4. Disassemble the carburetor.
5. Immerse all the metal parts in a carburetor cleaning solution.
6. After the parts are cleaned, dry them with compressed air.
7. Blow out the fuel passages with compressed air.
8. Assemble the carburetor
9. Install the carburetor onto the motorcycle.

Rear Shock

The rear shock is fully serviceable but it is recommended that only trained professionals should service your shock. Contact Cobra or another qualified specialist for questions and service of your CX65shock.

Brakes

Proper Brake adjustment must have a slight amount of freeplay from the pedal/lever to the master cylinder piston. Without freeplay, it is difficult to ensure that piston is not blocking the hydraulic return path which allows fluid to return to the master cylinder upon release of the pedal/lever. If the system does not allow sufficient return flow, the brake system will lock up during operation as the master cylinder pumps fluid to the caliper that is unable to return to the master cylinder as the lever is released.

Rear Brakes

Rear brake bleeding is a 5 step process.

1. Remove the reservoir cap on the master cylinder and top of with DOT 4 or 5.1 fluid. During all these steps, make sure you monitor the fluid level and 'top off' when necessary.
2. Adjust the brake plunger for free play. There must be at least some free play between the adjustable plunger and the master cylinder piston. Push the pedal up and down to feel for free play and adjust if necessary. It may be helpful to remove the rubber boot. Improper adjustment will not allow fluid from the caliper to return to the master cylinder up release of the brake pedal.
3. Pressure bleed the system. Push down once on the brake pedal, solidly and completely, and open and close the caliper bleed, before releasing the pedal. Repeat this step at least 5 times looking for bubbles. Typically

bubbles are seen on the 4th or 5th attempt. If bubbles are seen repeat until no bubbles appear.

4. Minimize the caliper volume. Using channel locking pliers, or similar, squeeze the caliper as shown to push the piston back as far as possible into the caliper. While squeezing, open and close the caliper bleeder looking for bubbles. Repeat at least three times looking for bubbles. If bubbles are seen repeat until not bubbles appear.



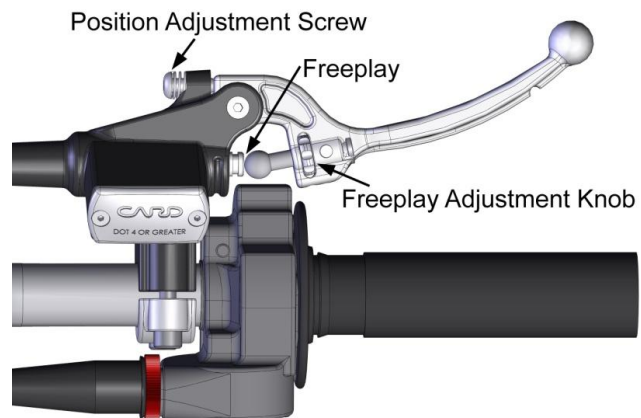
5. Overfill the master cylinder to minimize the amount of air in the reservoir before reinstalling the cap. Yes, you will lose some fluid when the cap goes on. Have the rubber in the cap pushed up to minimize its volume.

Front Brakes

Bleeding of the front brakes is similar but step 4 requires the use of a screwdriver to force the pads & pistons back into the caliper.

Proper adjustment requires the following steps.

1. Remove the protective rubber boot that covers the system.
2. Adjust the lever to the desired 'home' position by using the Position Adjustment Screw.
3. Ensure that there is freeplay at the location shown in the picture below, by adjusting the Freeplay Adjustment Knob.



NOTE:

There is a small set screw (2mm allen) on the lever, toward the grip, that allows the Freeplay Adjustment Knob to be locked into position.

4. At this point, if the brakes do not have a solid enough feel try; 1) bleeding the brake system, and 2) replacing older brake pads with new ones.

NOTE:

If a more solid brake feel is desired, it may be possible to tighten up the adjustment by eliminating the freeplay with the Freeplay Adjustment Knob but this should only be done in conjunction with removing the master cylinder reservoir cap to ensure that the fluid returns to the master cylinder.

Front Wheel

Assembly

- Put the wheel in place and install the axle and caps. Torque the caps to 45 Nm (33 ft-lb)
- Place the bike on the ground and 'exercise' the suspension a couple times while applying the front brakes.
- Tighten the four axle pinch bolts to 12 Nm (106 in-lb)

Tuning

Gearing

Front Sprocket				Rear Sprocket	Gear Ratio
		14		42	3.00
			15	45	3.00
			15	46	3.07
		14		43	3.07
	13			40	3.08
12				37	3.08
			15	47	3.13
		14		44	3.14
	13			41	3.15
12				38	3.17
			15	48	3.20
		14		45	3.21
	13			42	3.23
12				39	3.25
			15	49	3.27
		14		46	3.29
	13			43	3.31
12				40	3.33
			15	50	3.33
		14		47	3.36
	13			44	3.38
			15	51	3.40
12				41	3.42
		14		48	3.43
	13			45	3.46
			15	52	3.47
12				42	3.50
		14		49	3.50
			15	53	3.53
	13			46	3.54
		14		50	3.57
12				43	3.58
			15	54	3.60
	13			47	3.62
		14		51	3.64
12				44	3.67
			15	55	3.67

Suspension

Adjustment:

1. Front forks
 - 1.1. Fork oil
 - 1.1.1. Oil type
 - 1.1.1.1. Heavier weight oil – more damping – slower responding
 - 1.1.1.2. Lighter weight oil – less damping – quicker responding
 - 1.1.2. Oil quantity / level
 - 1.1.2.1. Greater quantity / higher level – greater bottoming resistance, stiffer near the end of the travel.
 - 1.1.2.2. Smaller quantity / lower level – less bottoming resistance, less stiff near the end of the travel.
 - 1.2. Fork spring
 - 1.2.1. Stiffer spring (higher spring rate) – stiffer throughout the travel.
 - 1.2.2. Less stiff spring (lower spring rate) – less stiff throughout the travel.
 - 1.3. Gas pressure – always bleed off any pressure.
 - 1.4. Fork height
 - 1.4.1. Rise in clamps for quicker turning.
 - 1.4.2. Lower in clamps for improved straight line stability.
2. Rear shock
 - 2.1. Preload adjustment
 - 2.1.1. More preload (greater distance) – less race sag.
 - 2.1.2. Less preload (smaller distance) – more race sag.
 - 2.2. Shock spring
 - 2.2.1. Stiffer spring – stiffer throughout the travel.
 - 2.2.2. Less stiff spring – less stiff throughout the travel.
 - 2.3. Compression damping
 - 2.3.1. Harder (more damping, slower) – adds resistance to the suspension motion when the suspension is compressing.
 - 2.3.2. Softer (less damping, quicker) – reduces resistance to the suspension motion when the suspension is compressing.
 - 2.4. Rebound damping
 - 2.4.1. Harder (more damping, slower) – adds resistance to the suspension motion when the suspension is returning to full length.
 - 2.4.2. Softer (less damping, quicker) - reduces resistance to the suspension motion when the suspension is returning to full length

Front Fork Operation

The front suspension on the CX65 works under the principals of hydraulic damping, and it features full adjustability to help tune the fork to meet each rider's needs. The CARD fork contains MXT 'Smart Leg' technology that provides very progressive operation; allowing a small bike to perform well on track surfaces ripped up by larger machines.

The key to Smart Leg technology is to understand that each leg has a different role. The brake side leg features a conventional open cartridge. This cartridge handles both standard compression and rebound damping duties. Rebound

damping is adjustable on the fork cap, and compression damping is adjusted at the bottom of the fork. The other leg (the Smart Leg) has no rebound damping, and it contains both a speed sensitive compression damping mechanism as well as a position sensitive one. This design allows for a firm low speed response, controlling rapid chassis pitch, which promotes stability and control. The fork produces significantly less mid and high-speed compression until it travels into the progressive / speed sensitive portion of the smart leg. The speed sensitive compression component is adjustable at the top of the fork.

The combination of the Smart Leg and the conventional leg allows the fork to be very supple throughout all low amplitude operation and yet take punishing hits; producing a progressively increasing damping rate that slows the forks movement as it approaches full bottom. Therefore, the Smart Leg also acts as a hydraulic bottoming control device. Finally, the large degree of adjustability in both legs allows the fork to be tuned to meet each rider's size, ability, and type of riding they do (motocross, off-road, flat track, etc).

Fork Damping Adjustments

Tools required

- Small flat blade screwdriver



REBOUND ADJUSTMENT

The speed at which the fork rebounds can be adjusted at the top of the conventional leg. Turning the adjustment screw clockwise slows the rate at which the fork extends after being compressed, and likewise, turning the screw counter-clockwise returns the leg to its extended position faster. As shown in the figure, 'S' (slower) and 'F' (faster) are etched into the cap as an adjustment guide.

At the base of the conventional leg is another adjustment screw that controls the amount of compression damping. Turning this screw clockwise increases damping and turning it counter-clockwise will decrease it. This is illustrated by the "HARD" and "SOFT" in the figure at the right.



COMPRESSION ADJUSTMENT



BOTTOMING ADJUSTMENT

The Smart Leg cap is labeled "Speed Sensitive Bottoming Control", and this adjuster provides a range of control over how progressive the fork feels. Turning the screw clockwise increases the fork's resistance to bottoming, while turning the screw counter-clockwise decreases it. On the track, this effect will be felt on sections where

the fork is forced to move very quickly such as on harsh landings or when traversing sharp edged bumps.

Rear Shock Adjustments.

Always start with standard settings and make damping changes in no more than two click increments and only make one change at a time.

Symptom	Action
Rear end feels stiff on small bumps	Softer Low Speed Compression Damping
Rear end 'sways' on straights	Harder Low Speed Compression Damping
Bike tends to jump 'rear end high'	Harder High Speed Compression
Bike tends to jump 'rear end low'	Softer High Speed Compression
Frequent rear end bottoming	Harder Compression Damping
Bottoms after end of continuous bumps	Softer rebound damping
Rear end 'kicks' over square edge bumps	1) Harder rebound, 2) Softer Low and High Speed Compression
Rear end feels stiff under acceleration bumps.	Softer Rebound and/or Stiffer Low Speed Compression Damping

Proactive Suspension Adjustments

Once you have the suspension adjusted for decent overall feel, you can make proactive adjustments when faced with different racing conditions.

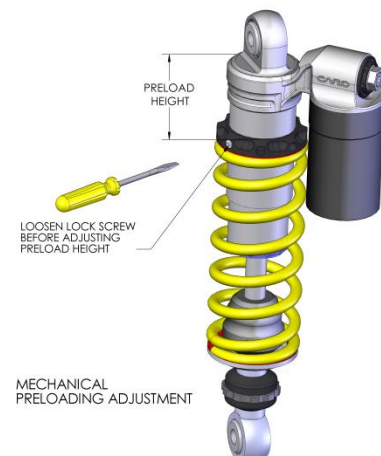
Situation	Actions
Sand track	Lower the rear end (increase race sag).
Sand track	Stiffer compression and rebound damping.
Long fast track	Lower the forks in the clamps by 3 mm.
Tight slow track	Raise the forks in the clamps by 3 mm.
Mud track	Lower the bike if the rider has difficulties touching the ground.

Shock preload

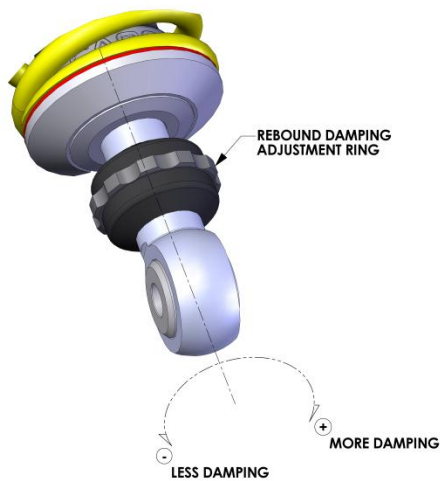
Loosen the set screw and turn the spring perch in full turn increments to get the desired sag settings.

NOTE:

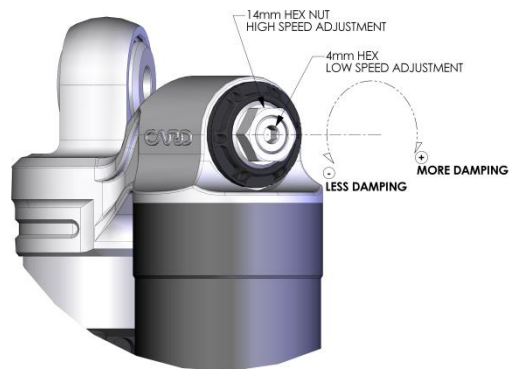
Always leave the spring perch rotated in such position so that the set screw is easily accessible.



Shock Damping



11. Adjustment of rebound damping



12. Adjustment of compression damping

Carburetor

Although your Cobra is sent from the factory with the carburetor jetted for optimal performance, you may find it necessary to adjust your particular jetting due to current weather conditions, altitude, fuel variations, and/or engine modifications.

CAUTION:

Proper jetting is very important for engine performance and engine life. Symptoms of improper jetting are listed below.

- Symptoms of incorrect oil or oil / fuel ratio
 - Poor acceleration
 - Misfire at low engine speeds
 - Excessive smoke
 - Spark plug fouling
 - Excessive black oil dripping from exhaust system
- Symptoms of too rich a fuel mixture
 - Poor acceleration
 - Engine will not 'rev' out, blubbers on top
 - Misfire at low engine speeds
 - Excessive smoke
 - Spark plug fouling
 - Wet, black, or overly dark spark plug (when removed for inspection)
- Symptoms of too lean a fuel mixture
 - Pinging or rattling
 - Erratic acceleration
 - Same actions as running out of fuel

- High engine temperature
- White spark plug (when removed for inspection)

NOTE: When inspecting the spark plug to evaluate jetting, a properly jetted machine will produce a spark plug that is dry and light tan in color.

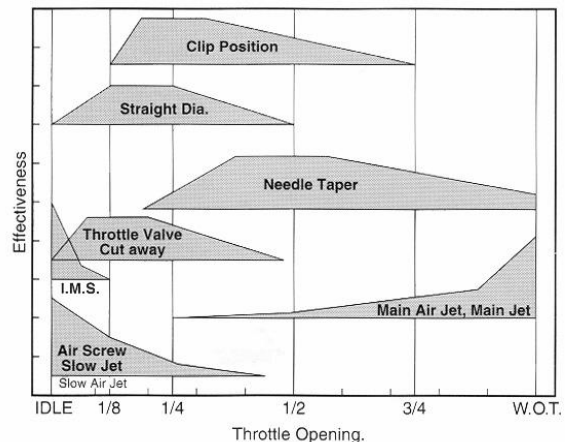
Environmental and altitude related mixture adjustments		
Condition	Mixture will be	Required adjustment
Cold air	Leaner	Richer
Warm air	Richer	Leaner
Dry air	Leaner	Richer
Very humid air	Richer	Leaner
Low altitude	Standard	None
High altitude	Richer	Leaner
Low barometric pressure	Richer	Leaner
High barometric pressure	Leaner	Richer

NOTE: Before making any carburetor jetting changes verify that:

- You are using the proper fuel and oil
- The fuel is fresh and uncontaminated
- The oil and fuel have been mixed in the proper ratio
- The carburetor is clean (no plugged jets)
- The air filter is properly clean and oiled
- The float height is within proper specification (proper measuring technique is described later in this section)

NOTE: Perform all jetting changes on a motorcycle that has been warmed up to proper operating temperature.

The carburetor on your Cobra motorcycle is quite adjustable. Figure 49 shows its range of adjustment and in particular what adjustable component affects what range of operation (specifically throttle position).



FUEL SCREW ADJUSTMENT:

Adjust for throttle response

The air adjustment screw is located on the left side of the carburetor. It requires the use of a small flat blade screw driver for adjustment. After adjusting for proper throttle response, use the idle screw to adjust the desired idle speed.

NOTE:

If the air screw requires more than 3 turns out, replace the pilot jet for one that is one size leaner (smaller number) then readjust the fuel screw.

IDLE ADJUSTMENT:

Adjust for desired idle speed

The idle speed screw is located on the right side of the carburetor. It is hidden behind the exhaust stinger pipe and is barely reachable with a screwdriver. To raise the idle, turn the screw in, clockwise, (in 1/4 turn increments) and rev the

engine after each adjustment. To lower the idle, turn the screw counter-clockwise.

TOP END JETTING: **Adjust for clean full throttle acceleration**

Jet your top end (main jet) based on the acceleration of your Cobra Motorcycle on the longest straight at the track. Observe any of the lean or rich symptoms (spark plug appearance and bike performance) listed above and change your jetting accordingly.

PART THROTTLE **Adjust for desired acceleration**

Using an area of the track that allows the rider to operate at mid throttle, transition (accelerate, or 'roll on') from closed, or mostly closed throttle, to a larger throttle opening. Observe the rich and lean symptoms listed above. Adjust the jet needle position by moving the clip from its current position (move the clip higher on the needle to make the bike run leaner, or move the clip lower on the needle to make the bike run richer) to one higher or lower.

Troubleshooting

1) Engine operates erratically

- a) Carburetor top is installed backwards
- b) The carburetor slide indexing pin is missing
- c) A carburetor vent elbow is plugged or has fallen out
- d) Faulty stator
- e) An air leak
 - i) Base gasket
 - ii) Intake / reed gaskets
 - iii) Crank seals
 - iv) Crank case gasket

2) Engine is down on power

- a) Jetting is incorrect
- b) Silencer needs repacked
- c) Exhaust pipe
 - i) Has excess carbon buildup
 - ii) Has large dent in it
- d) Compression is low
 - i) Piston
 - ii) Rings
- e) Reeds are damaged
- f) Ignition timing is incorrect
- g) Stator needs replaced

3) Engine is excessively loud

- a) Silencer needs repacking

4) Engine 'blubbers' at high RPMs

- a) Jetting too rich
- b) Stator needs replaced

5) Engine won't start

- a) Fuel
 - i) None in tank
 - ii) Is sour or bad

- b) Carburetor is dirty
 - c) Ignition
 - i) Spark plug fouled
 - ii) Spark plug cap off
 - iii) Engine Shut-off 'kill' switch is shorted
 - iv) Bad electrical ground
 - v) Stator winding damaged
 - d) Exhaust is plugged with object or flooded fuel
 - e) Engine is flooded
 - f) Cracked, broken, or jammed reed pedal
 - g) Excessive piston or cylinder wear
 - h) Clutch bolt or shoe dragging on basket (drum).
- 6) Engine won't idle**
- a) Idle knob needs adjusted
 - b) Carburetor jets are dirty
 - c) Choke is stuck on
 - d) Air leak

Index

Air Filter Maintenance	11	Compression test	44
Airbox and Inlet		Coolant System	
Parts	16	Parts	20
Bars and Controls		Cylinder head	
Parts	17	torque	5
Base Gasket Selection.....	45	Electrical	
Bodywork		Parts	21
Parts	38	Engine	
Brake Front Caliper		Specifications	4
Parts	37	Exhaust	
Brake Front Master Cylinder		Parts	30
Parts.....	36	Service.....	48
Brake Rear		Fork	
Parts	39	Adjustments	55
Brakes Front		Maintenance	11
Service	51	Operation.....	54
Brakes Rear		Fork Leg Brake Side	
Service	50	Parts	32
Break-In	6	Fork Leg Non Brake Side	
Cable Ties.....	14	Parts	33
Carburetor		Fork oil replacement.....	12
Parts.....	18	Forks & Triple Clamps	
Service	48	Parts	31
Specifications	4	Frame	
Tuning	57	Parts	34
Chain		Fuel System	
Adjustment	10	Service.....	48
Chassis		Gearing Chart.....	53
Specification	4	Ignition Case Side	
Clutch		Parts	24
Parts.....	22	Ignition Timing	
Clutch Cover		Setting	14
Parts.....	23	Jetting	
Clutch Lubricant		How To	48
Replacing	9	Stock.....	4
Clutch Master Cylinder		Troubleshooting.....	57
Parts.....	19	Kick Lever	

Parts.....	23	Stator	
Kick Mechanism		Torque	5
Parts.....	25	Suspension	
Lubrication		Adjustment.....	54
Recommended	4	Swingarm Parts.....	43
Maintenance		Top End	
Schedule	7	Parts	27
Tips	7	Service.....	45
Oil		Torque Values.....	5
Recommended	4	Transmission.....	29
Optional Components	5	Parts	29
Power Valve		Transmission Lubricant	
Parts.....	28	Replacing.....	9
Service	47	Troubleshooting	60
Shift Drum.....	29	Jetting.....	57
Shift Forks.....	29	VIN reading	8
Shift Mechanism	26	WARNING.....	1
Parts.....	26	Water Pump Cover	
Shock		Parts	23
Adjustments.....	56	Wheel Front	
Parts External.....	41	Parts	35
Parts Internal.....	42	Wheel Rear	
Service	50	Parts	40
Spark Plug		Wire Ties	14
Recommended	4	Zip Ties	14
Specifications.....	4		
Starting	6		