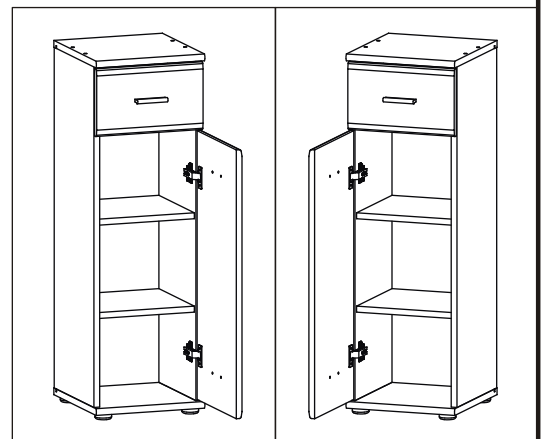
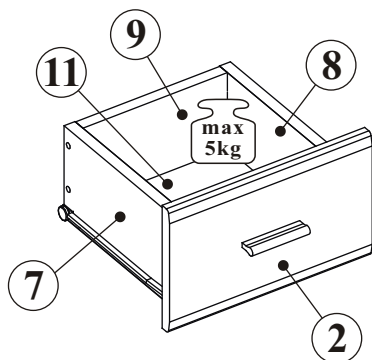
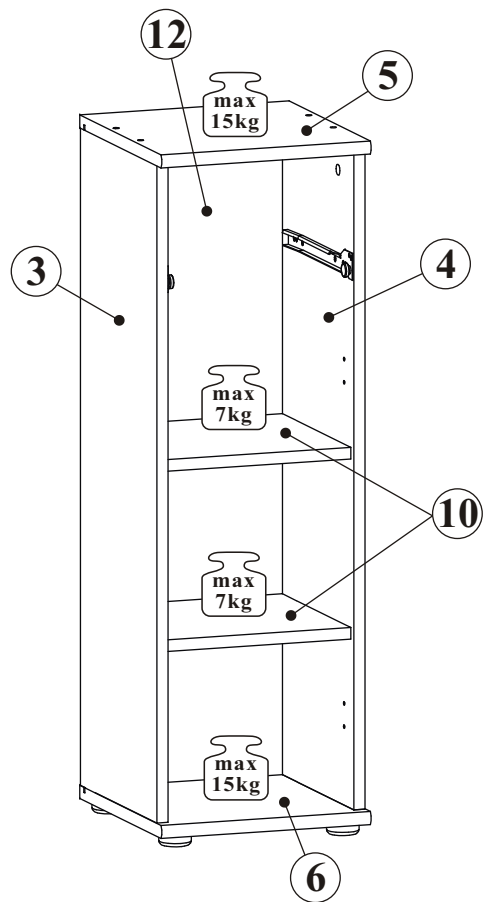
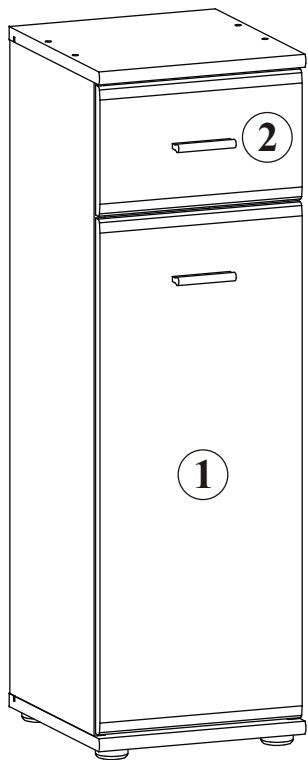
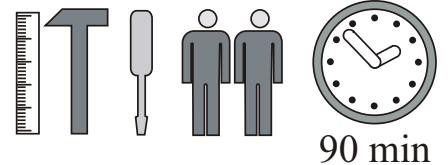


ARMARIO 1 ECO TYP B

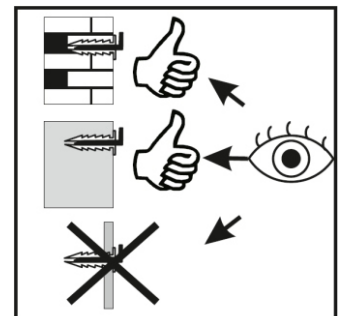
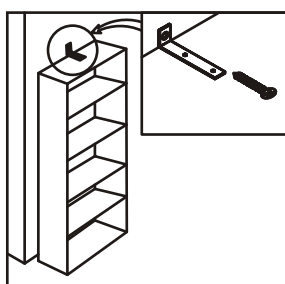
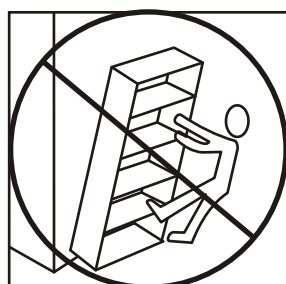
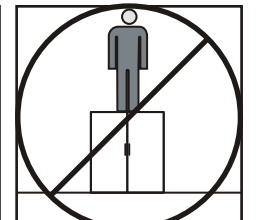
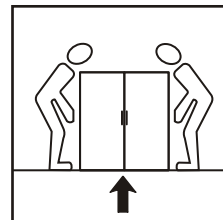
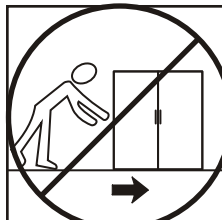
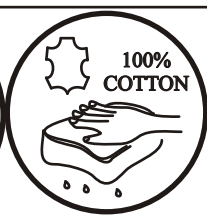
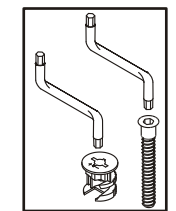
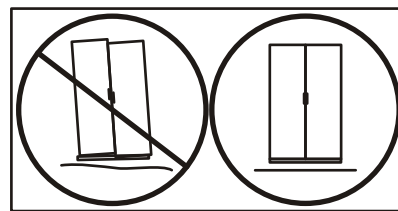
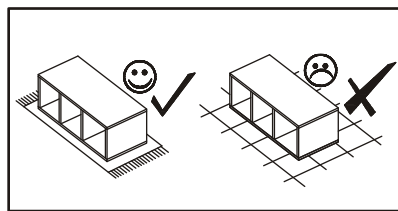
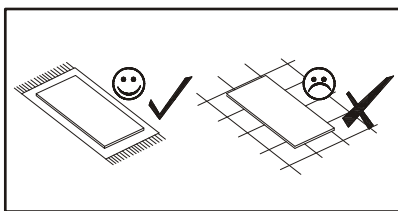
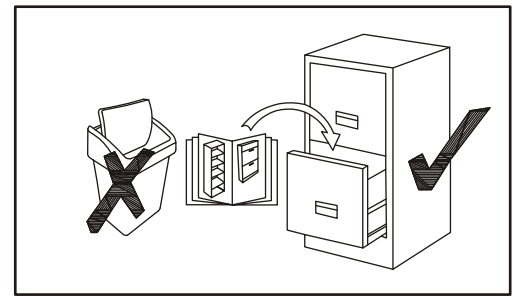
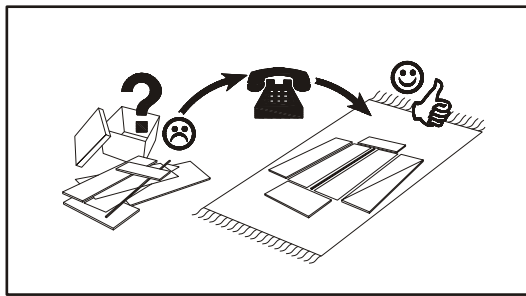
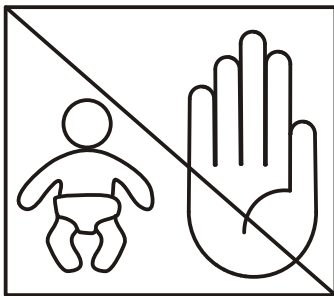
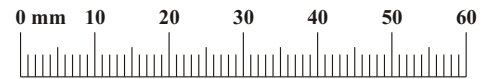


NO	Dim.			Col.-No	Qty
1	714	296	16	1	1
2	296	180	16	1	1
3	905	300	16	1	1
4	905	300	16	1	1
5	302	322	18	1	1
6	302	322	18	1	1
7	250	132	16	1	1
8	250	132	16	1	1
9	211	112	16	1	1
10	268	268	16	1	2
11	223	253	3	1	1
12	916	279	3	1	1




ARMARIO 1 ECO TYP B

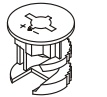
A1 x12 ø8x36	B4 x6	B5 x6 ø15x12	G5 x6	B11 x8 Ø7x50	G4 x8
E1 x2 Ø26 H=0	E2 x2 H=0	D10 x10 USØ3,5x13	KL x2 L-64mm	UP6 x4 UPØ4x30	Z2 x2 Ø5
H5 x1 L-250mm	D8 x4 ESØ5x13	B3 x5 Ø1,4x25	I11 x4	UP11 x4 UPØ4x20	G7 x8
S1 x9	G2 x1	L1 x1	KR1 x1 Ø8		

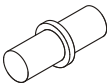


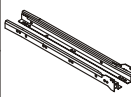
ARMARIO 1 ECO TYP B


1

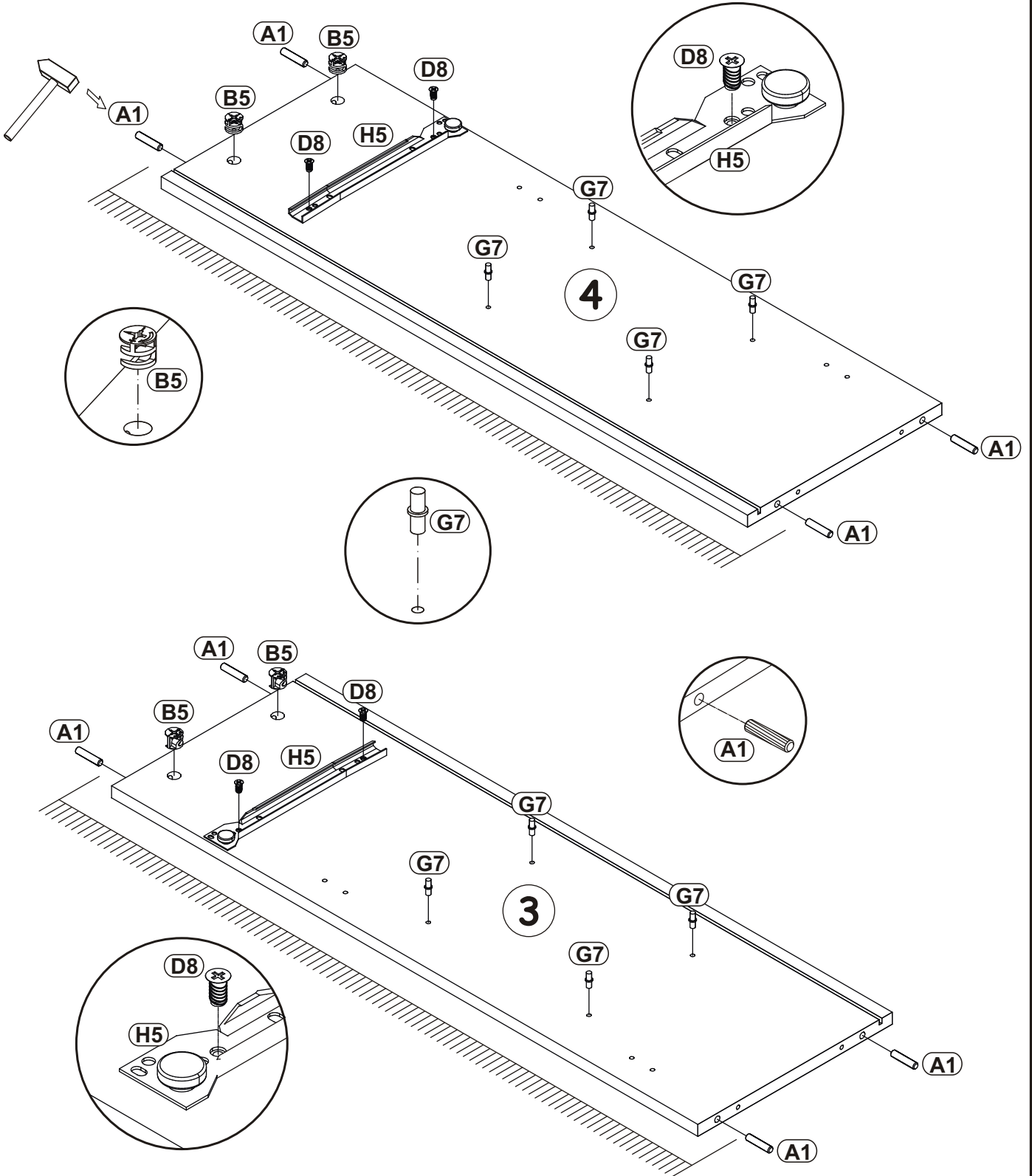
A1	
x8	ø8x36

B5	
x4	ø15x12

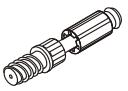
G7	
x8	

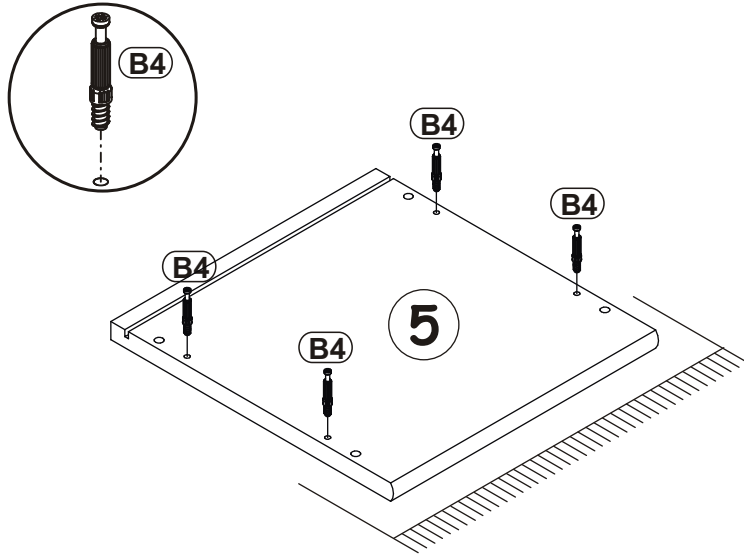
H5	
x1	L-250mm

D8	
x4	ESØ5x13

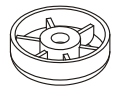



2

B4	
x4	

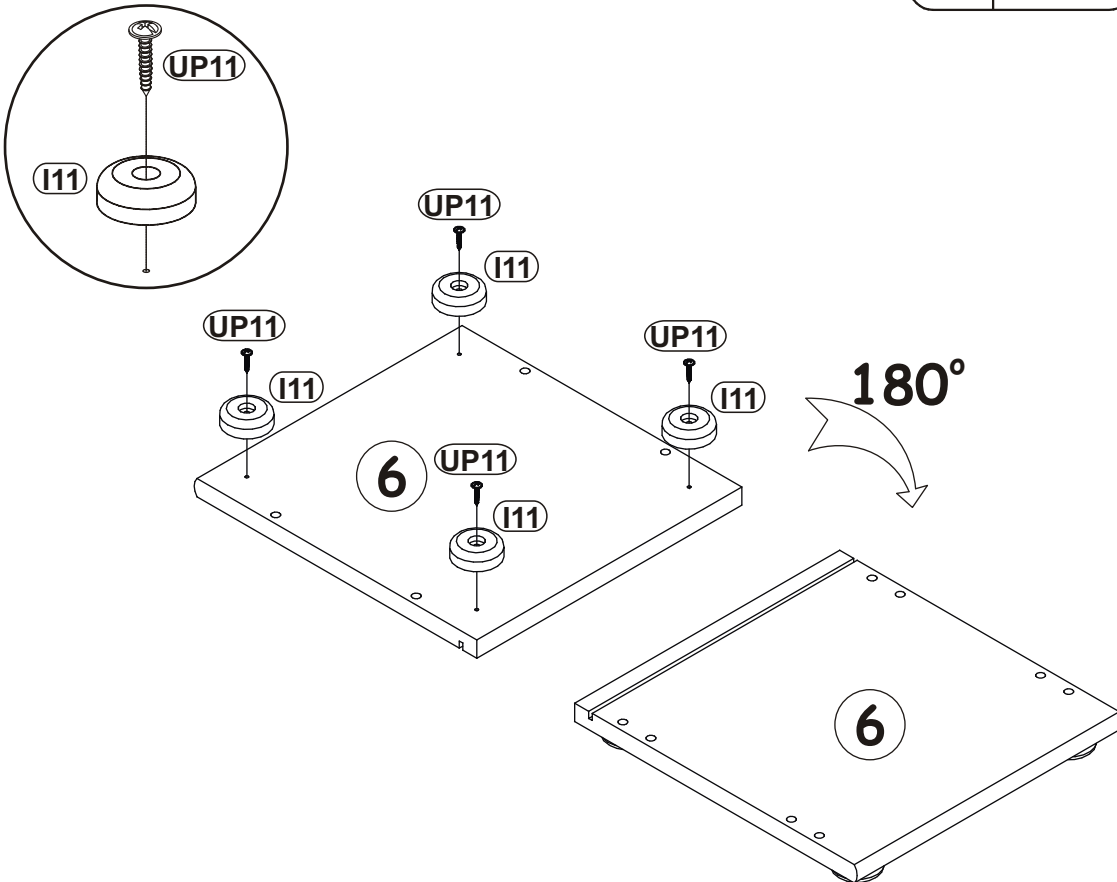


3

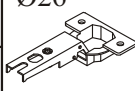
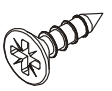
I11	
x4	

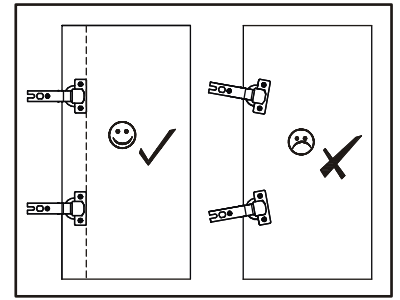
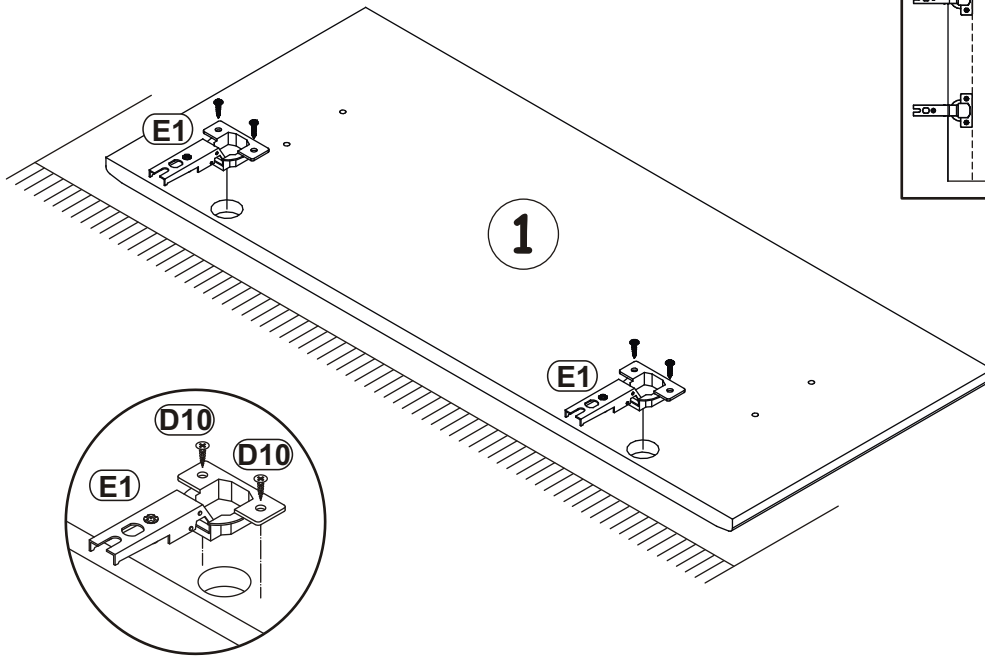
UP11	
x4	

UPØ4x20

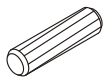
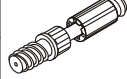



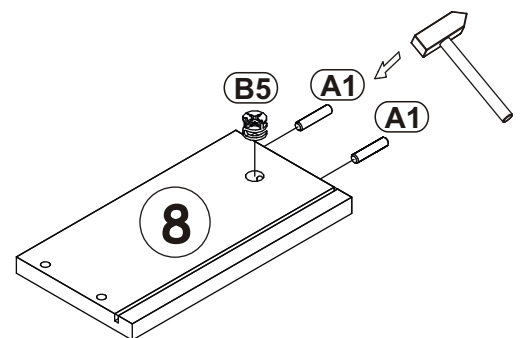
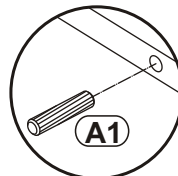
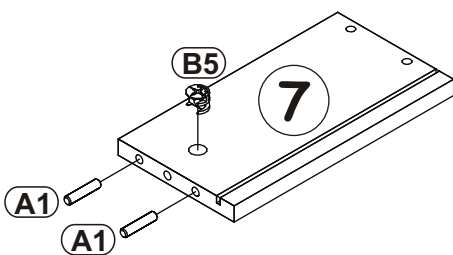
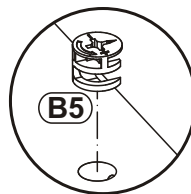
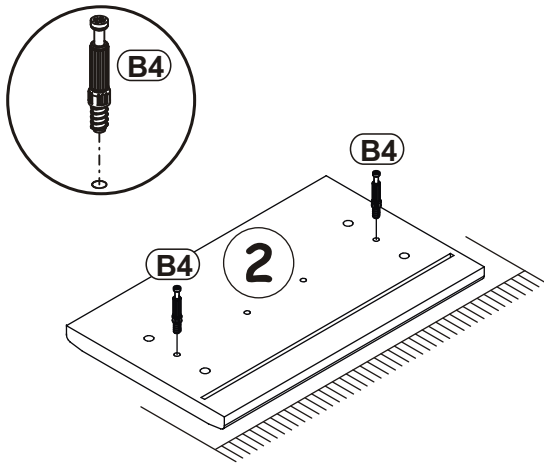
4

E1	Ø26 	D10	
x2	H=0	x4	USØ3,5x13





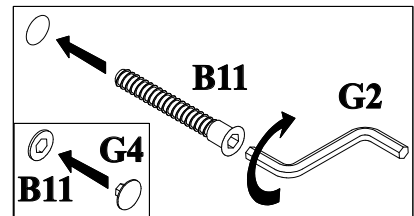
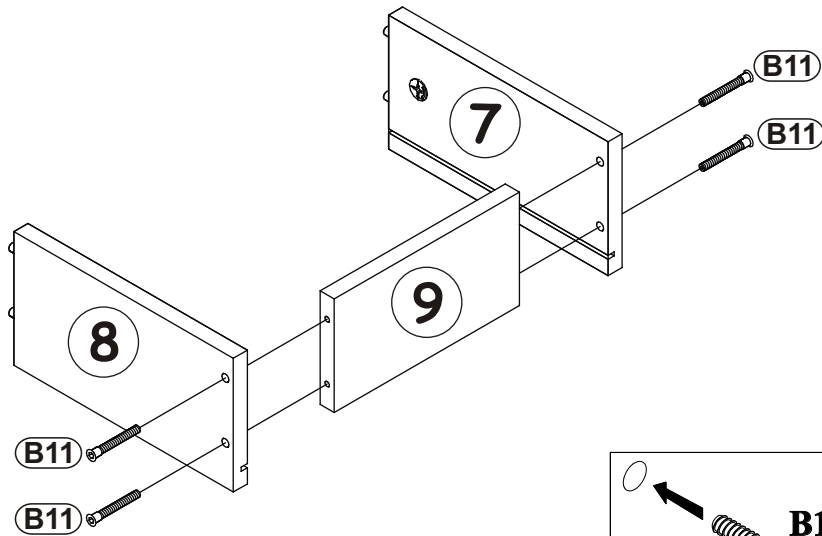
5

A1		B4		B5	
x4	ø8x36	x2		x2	ø15x12




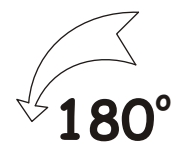
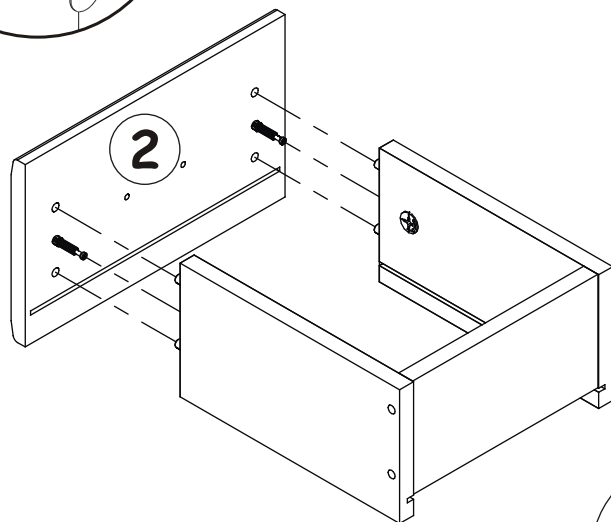
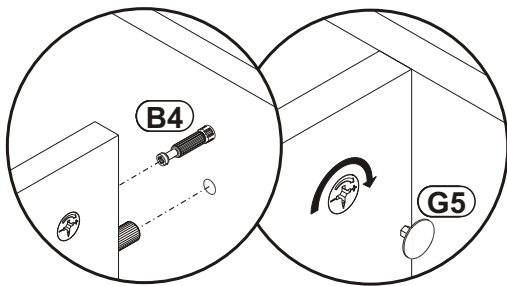
6

B11		G4	
x4	Ø7x50	x4	

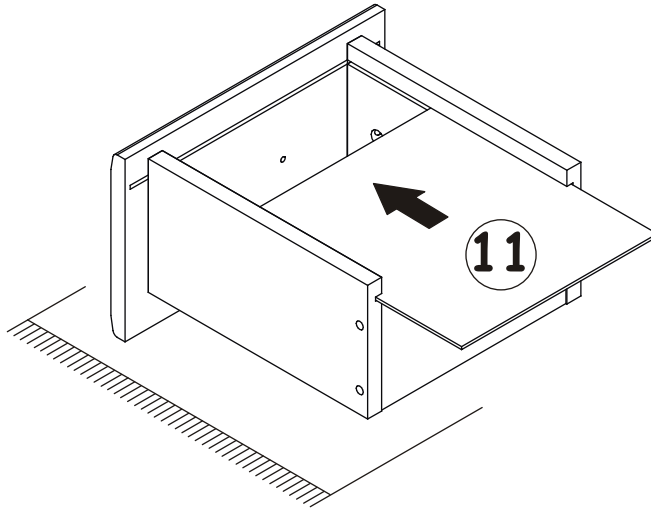


7

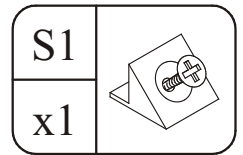
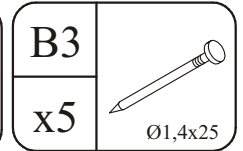
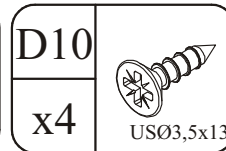
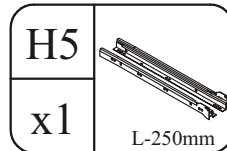
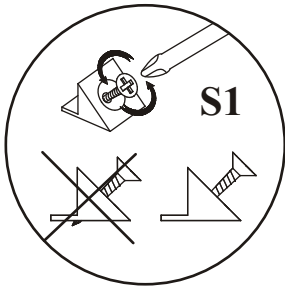
G5	
x2	



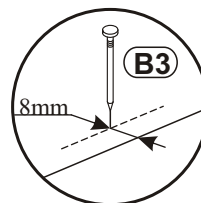
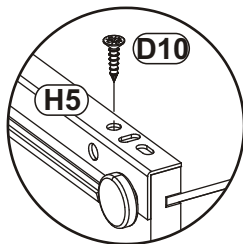
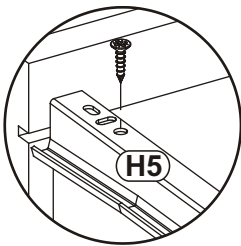
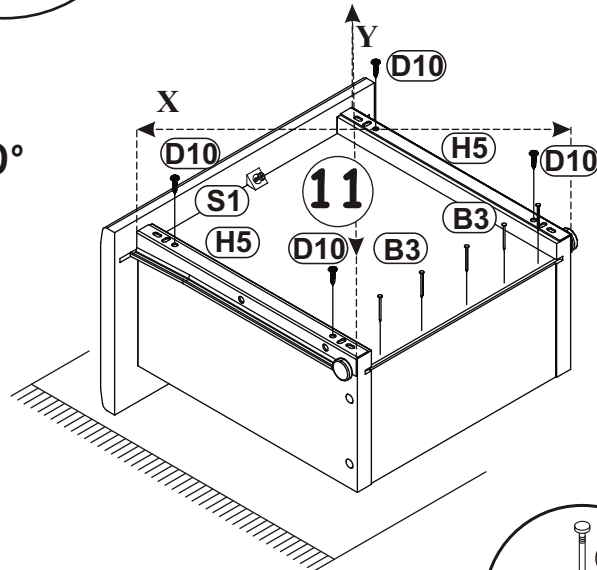
8



9

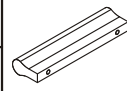
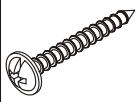


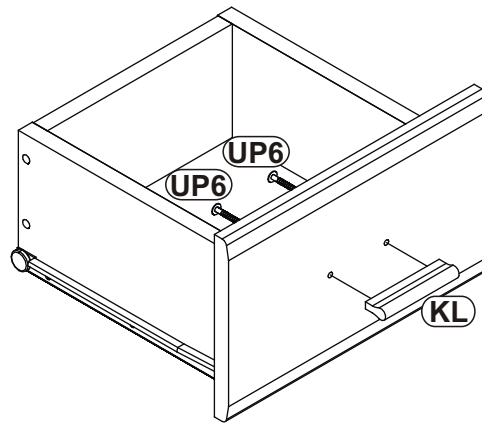
X=Y 90°





180°

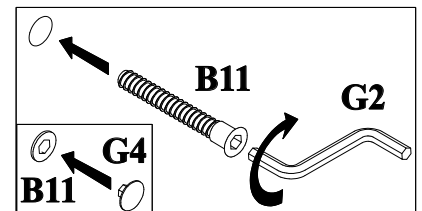
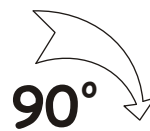
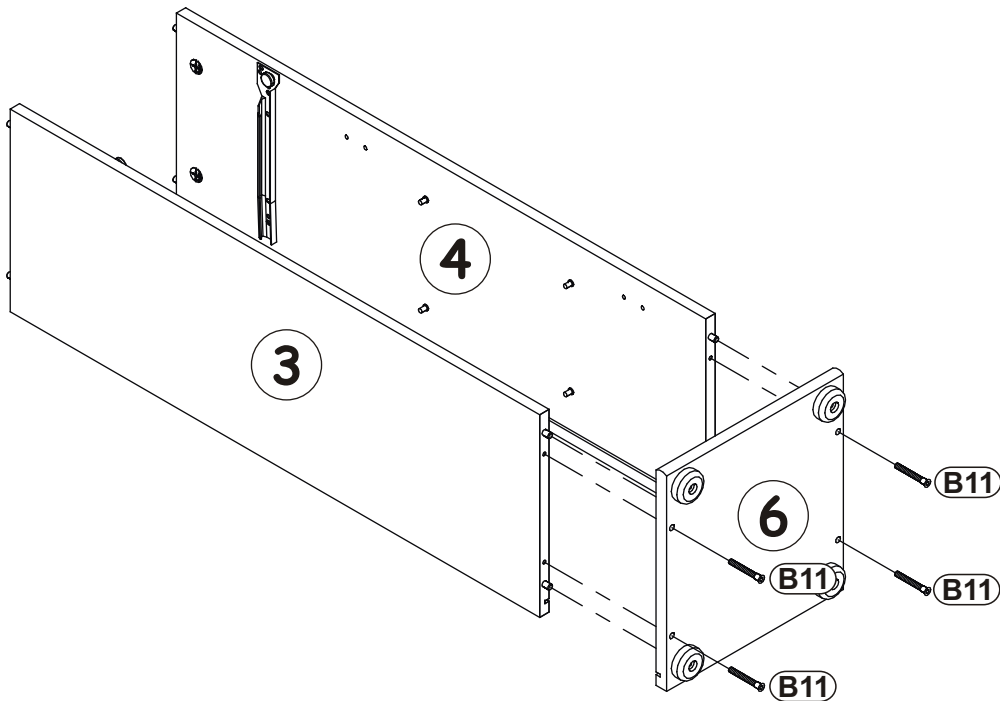
10

KL		UP6	
x1	L-64mm	x2	UPØ4x30

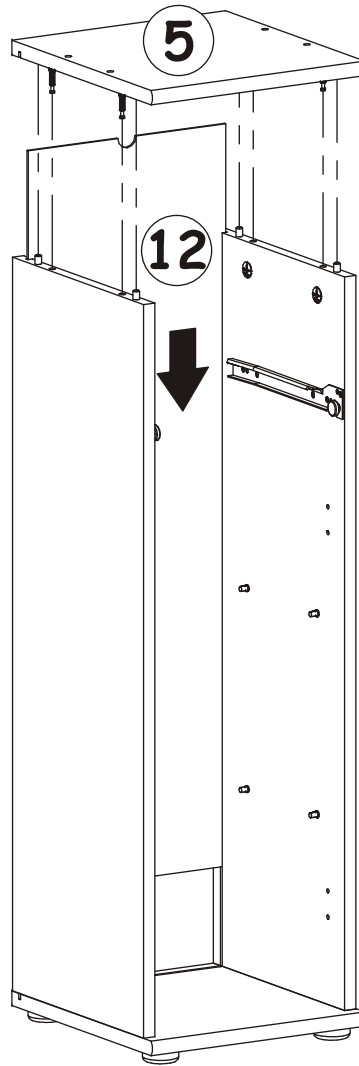



11

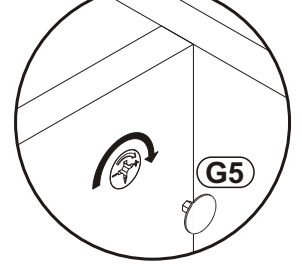
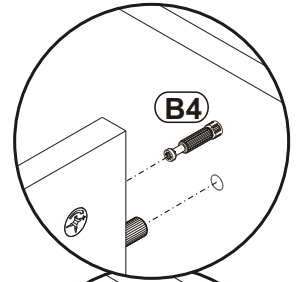
B11		G4	
x4	Ø7x50	x4	



12

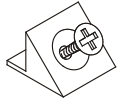


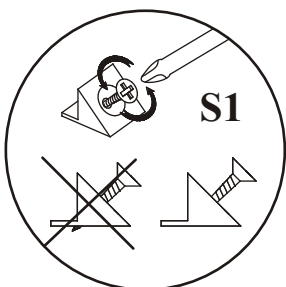
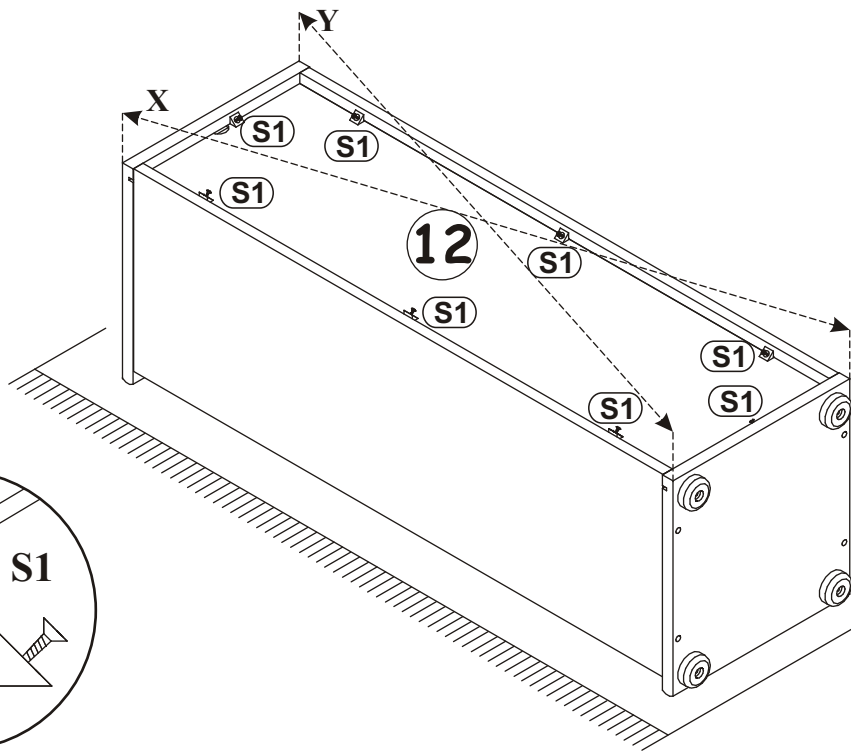
G5	
x4	



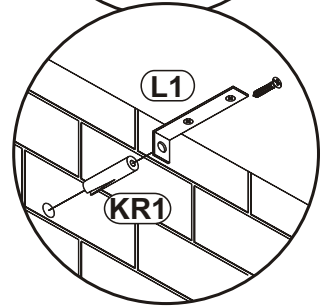
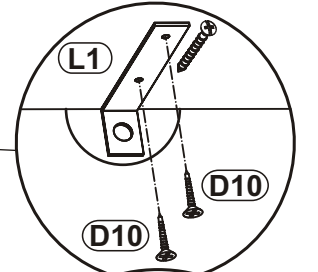
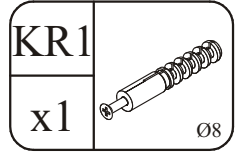
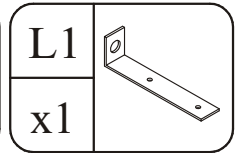
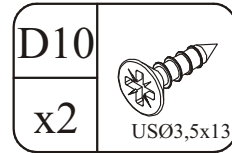
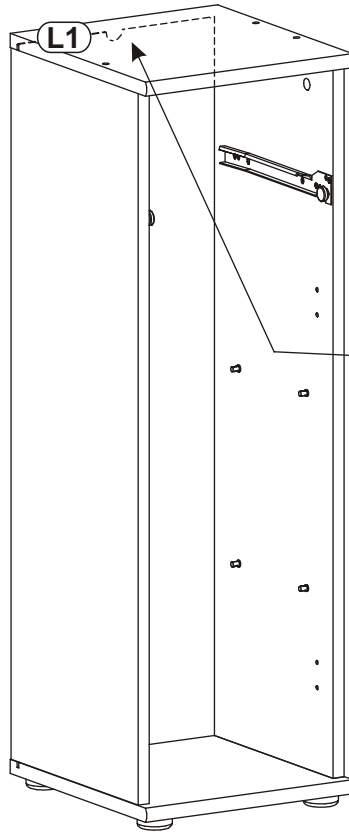
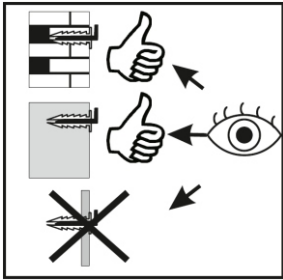
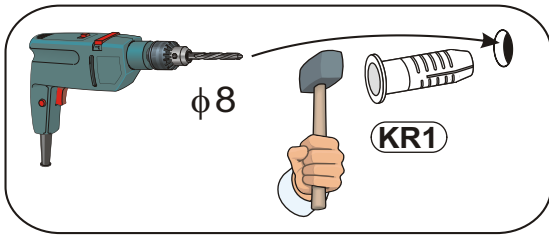
13

$X=Y$ \uparrow 90°

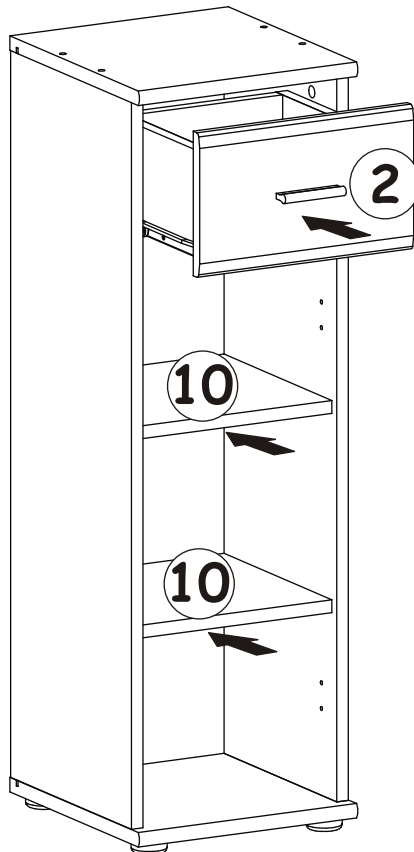
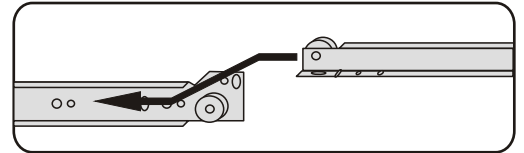
S1	
x8	



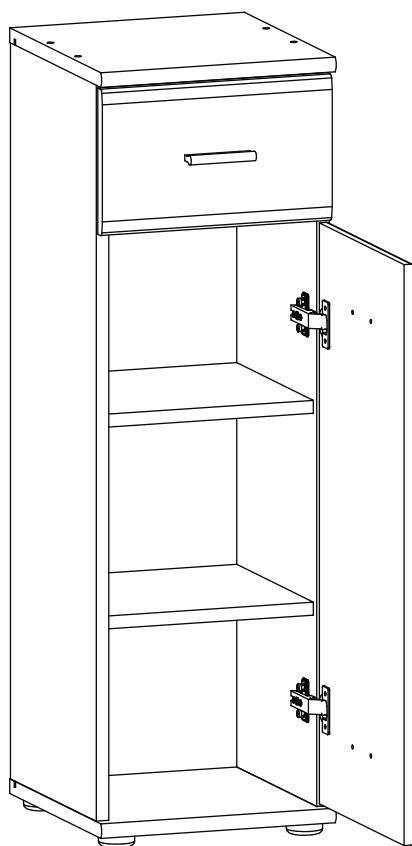
14



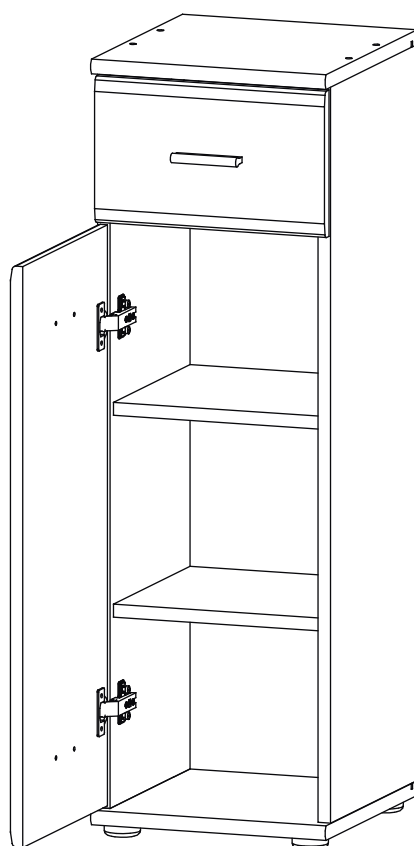
15



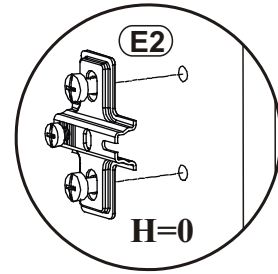
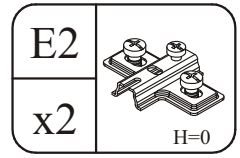
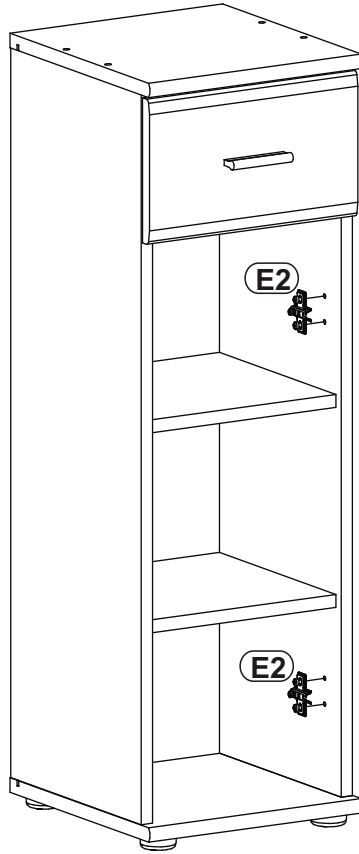
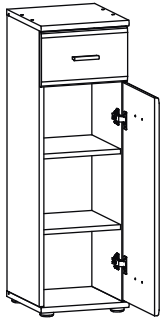
16-19



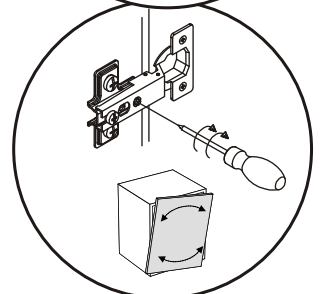
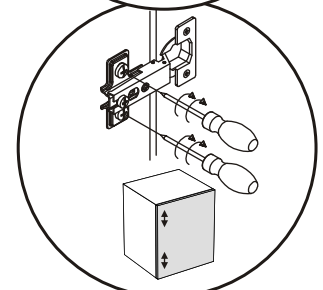
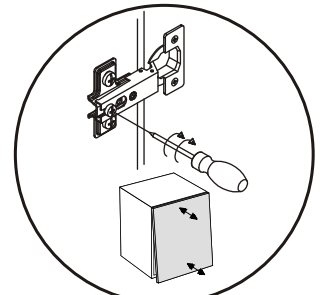
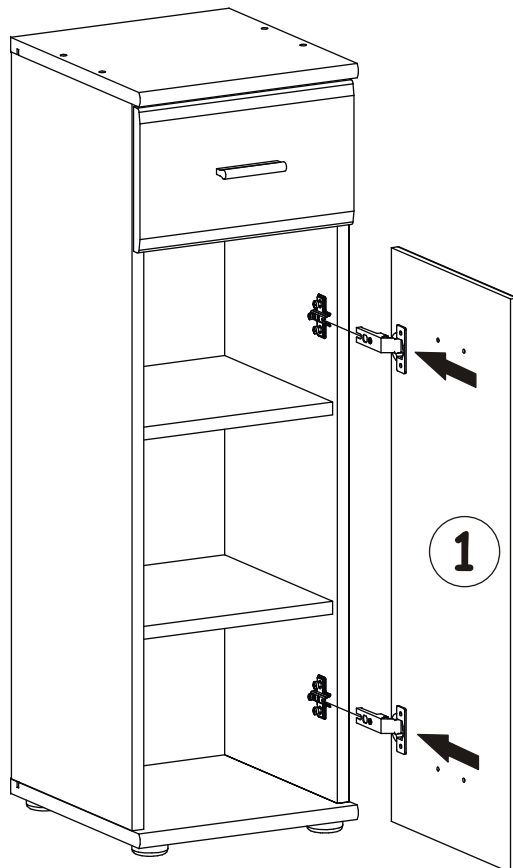
20-23



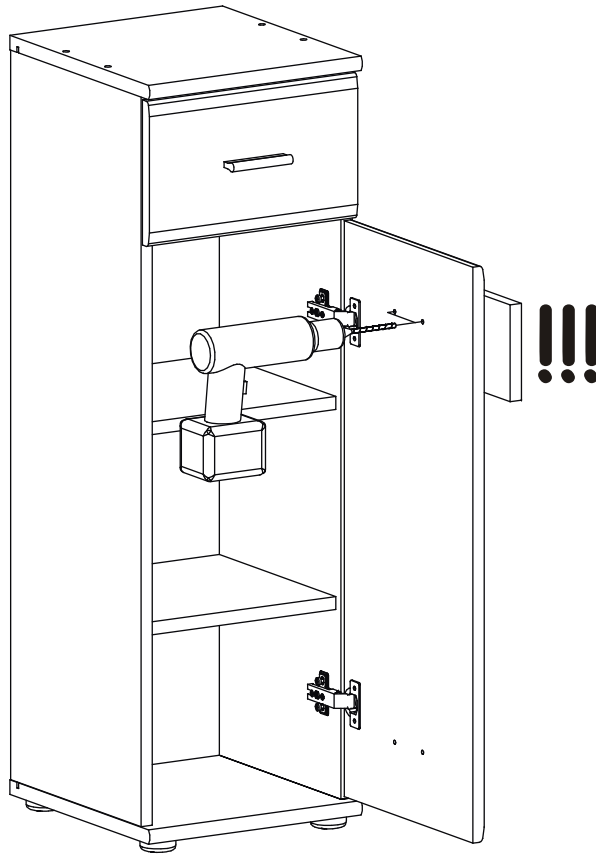
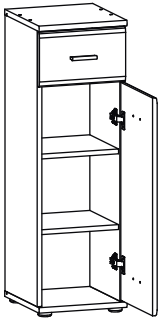
16



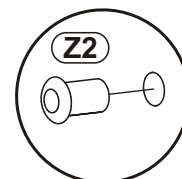
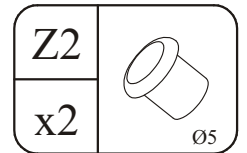
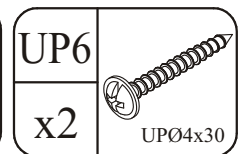
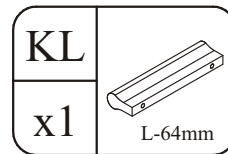
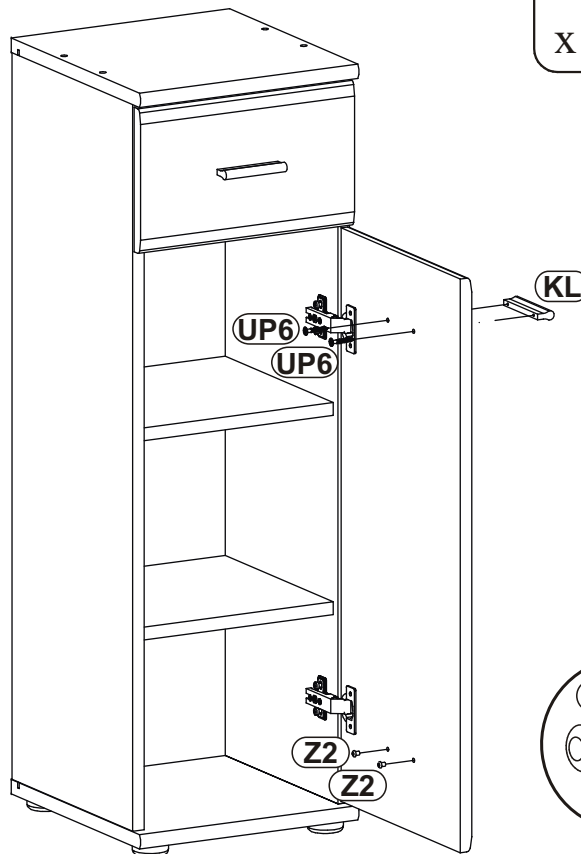
17



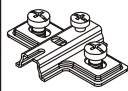
18

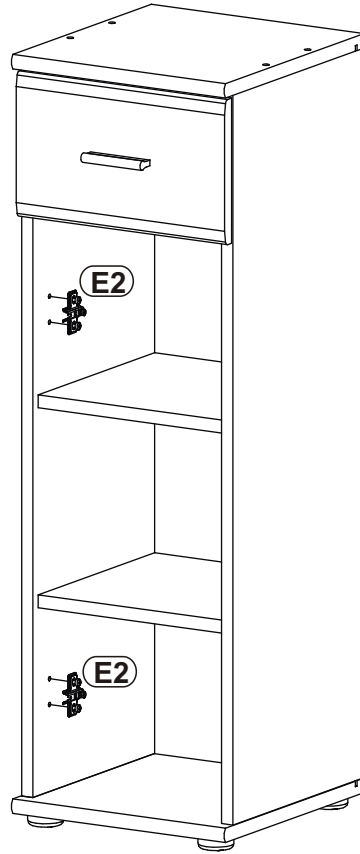
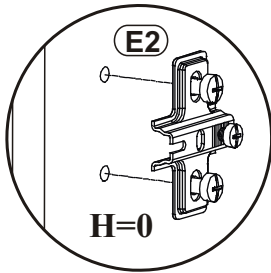
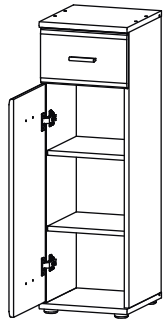


19

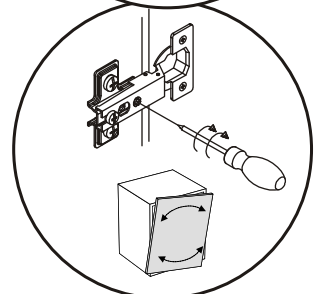
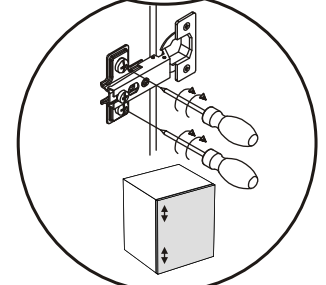
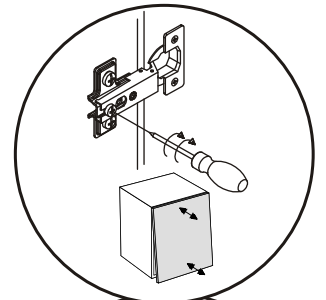
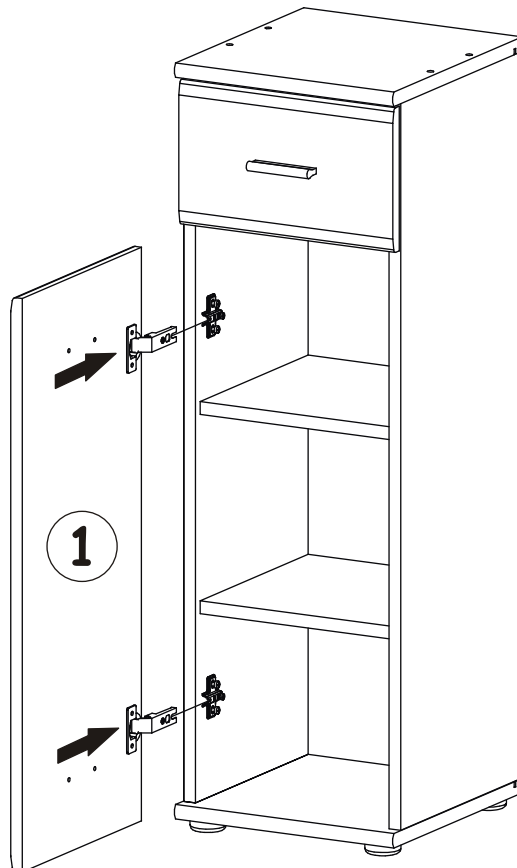


20

E2	
x2	H=0

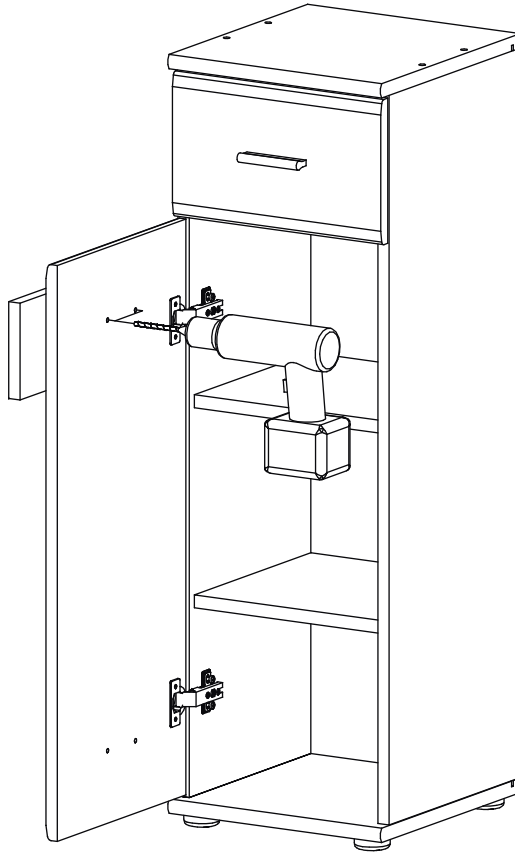
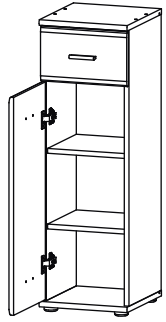


21

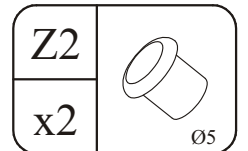
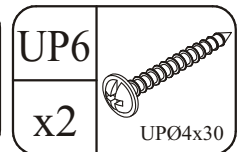
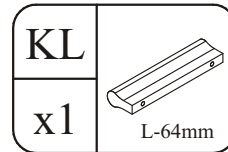
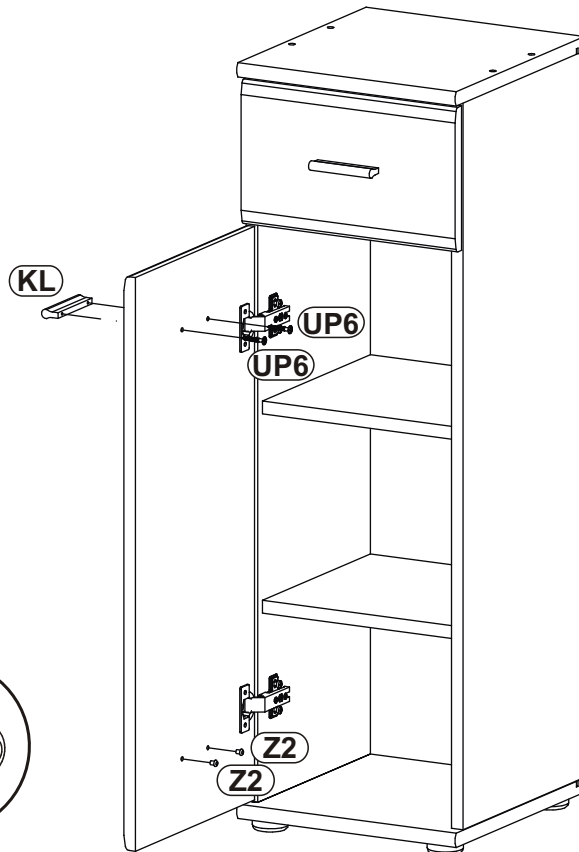


ARMARIO 1 ECO TYP B

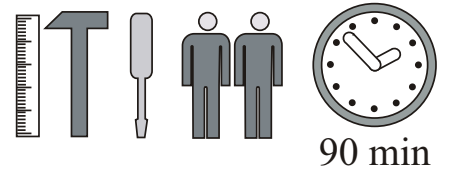
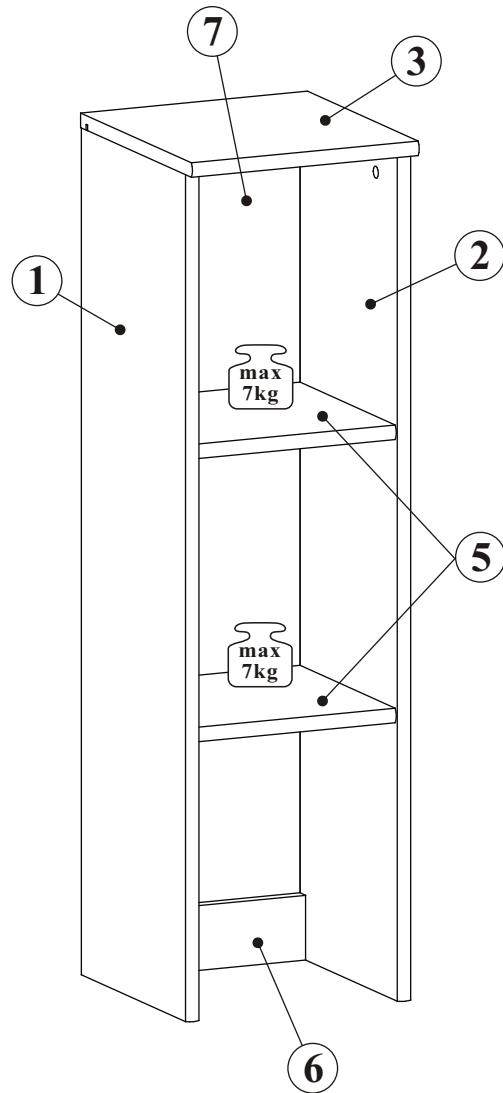
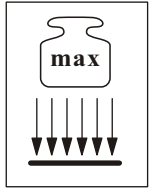
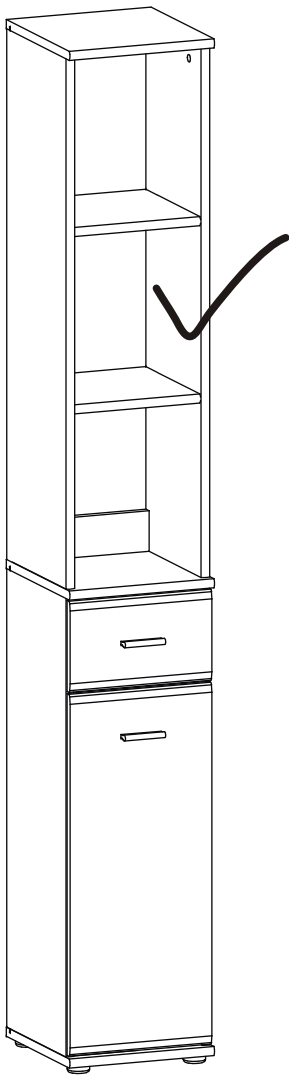
22



23

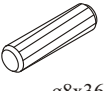
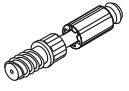


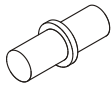

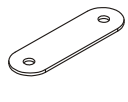

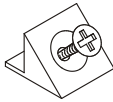

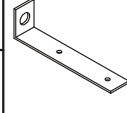
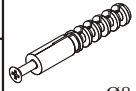



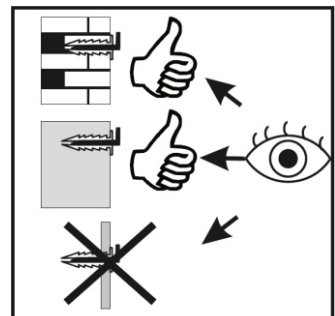
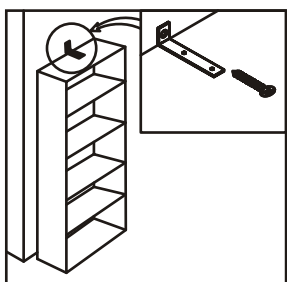
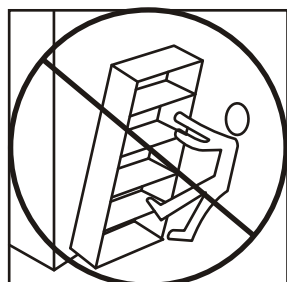
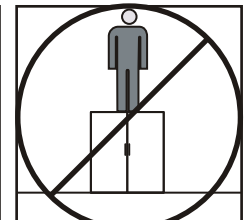
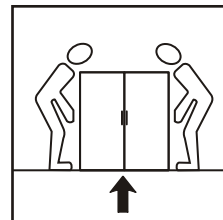
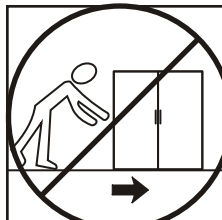
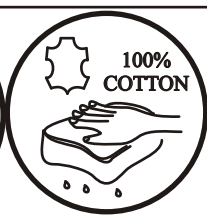
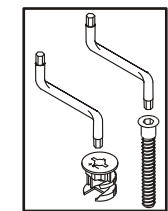
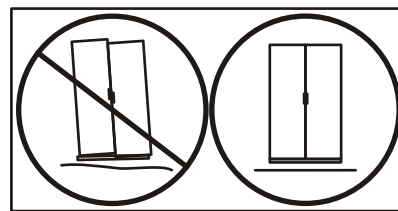
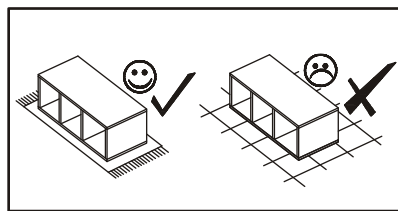
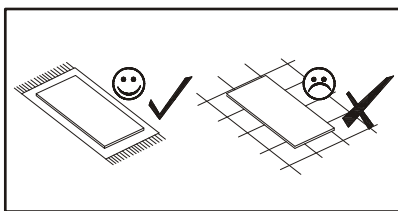
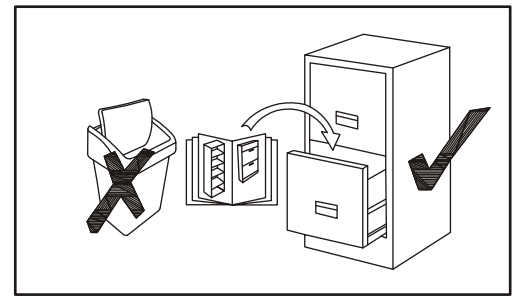
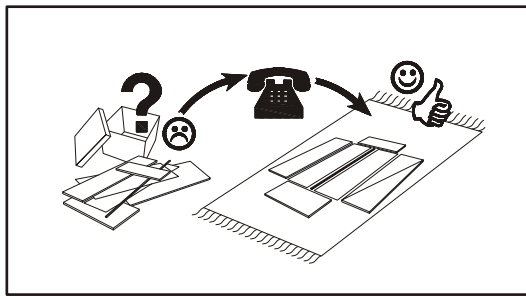
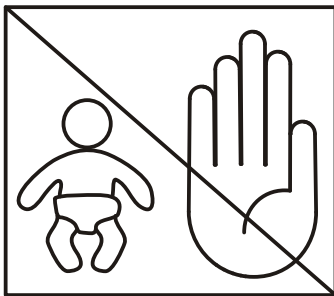
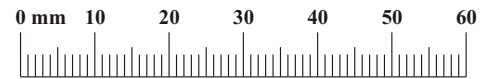
ARMARIO 1 ECO TYP C



NO	Dim.			Col.-No	Qty
1	1047	303	18	1	1
2	1047	303	18	1	1
3	302	322	18	1	1
5	264	277	18	1	2
6	264	80	16	1	1
7	1004	275	3	1	1

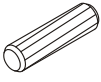
ARMARIO 1 ECO TYP C


A1 x10  ø8x36	B4 x6 	B5 x6  ø15x12	G5 x6 	G7 x8 	D10 x2  USØ3,5x13
MG3 x2 	D9 x4  USØ3x20	S1 x7 	UP17 x2  UPØ3x16	L1 x1 	KR1 x1  Ø8
G2 x1 					

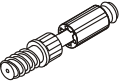


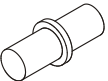
ARMARIO 1 ECO TYP C

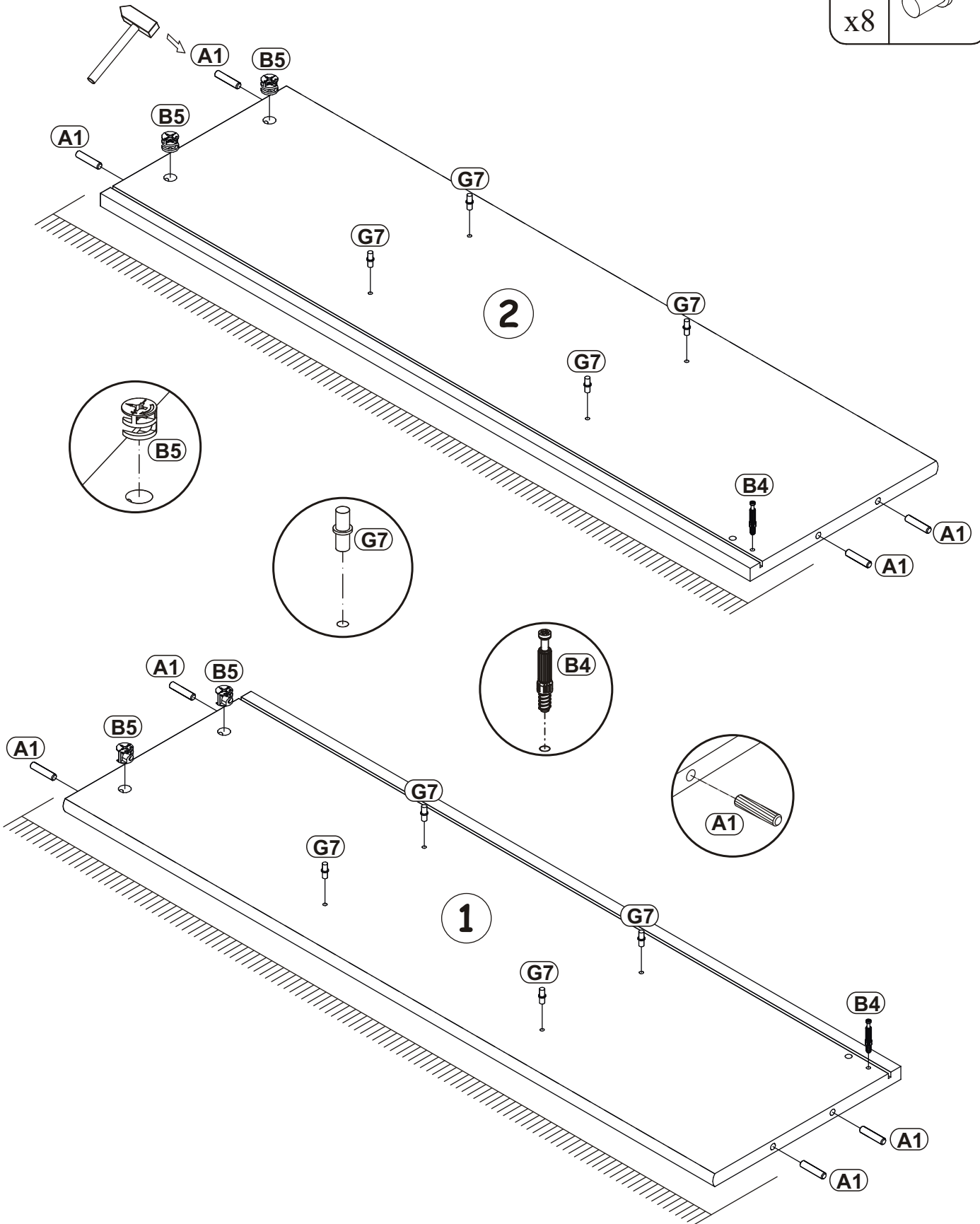
1

A1	
x8	ø8x36

B5	
x4	ø15x12

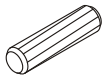
B4	
x2	

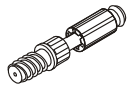
G7	
x8	

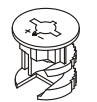


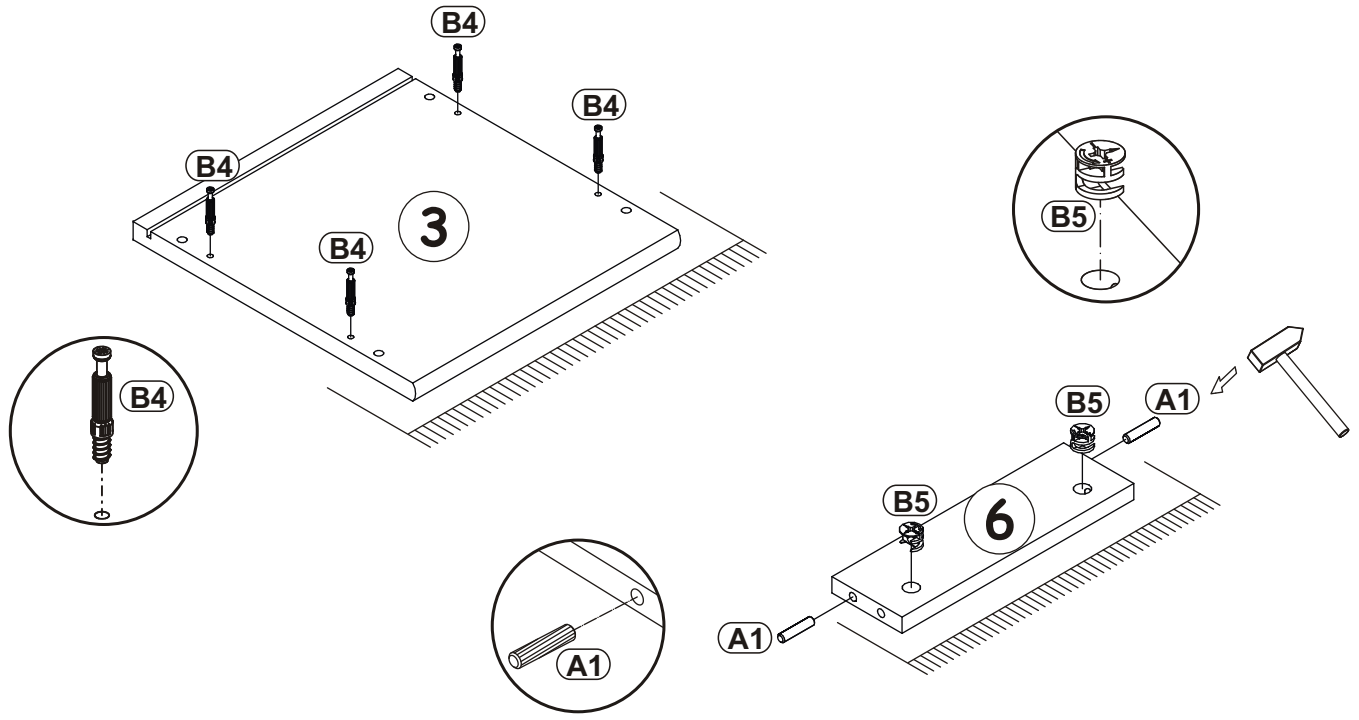
ARMARIO 1 ECO TYP C

2


A1	
x2	ø8x36

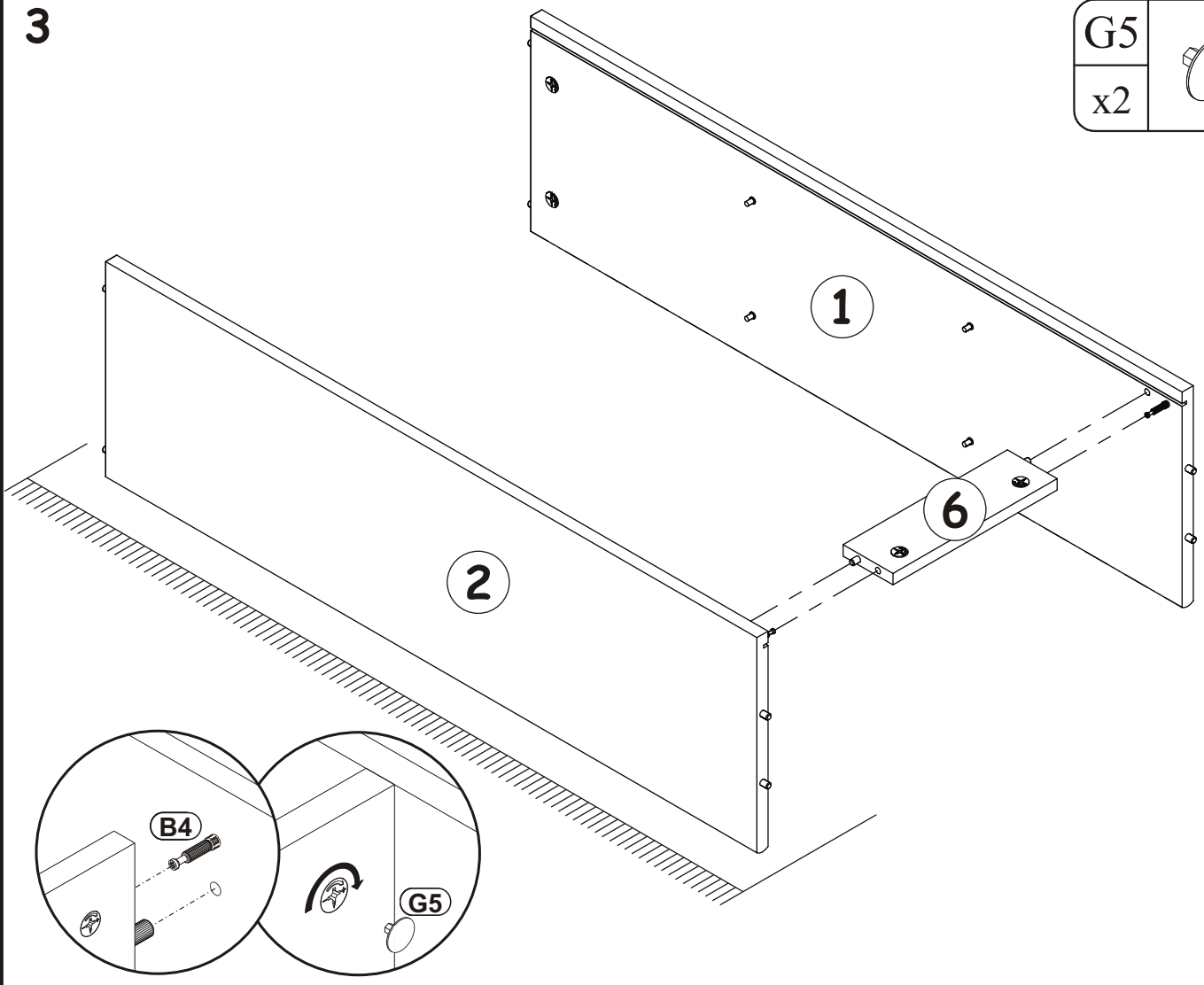
B4	
x4	

B5	
x2	ø15x12



3

G5	
x2	

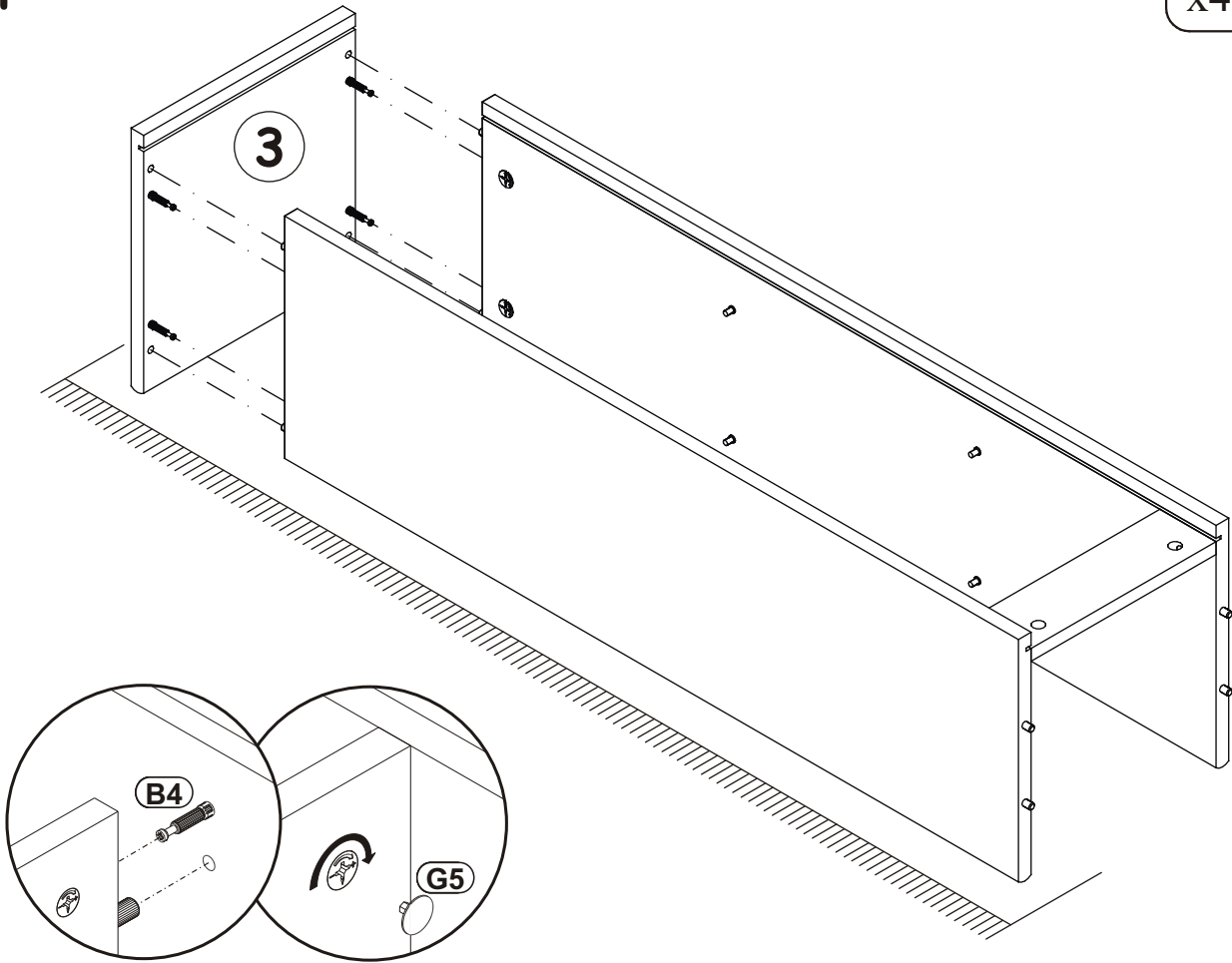


G5

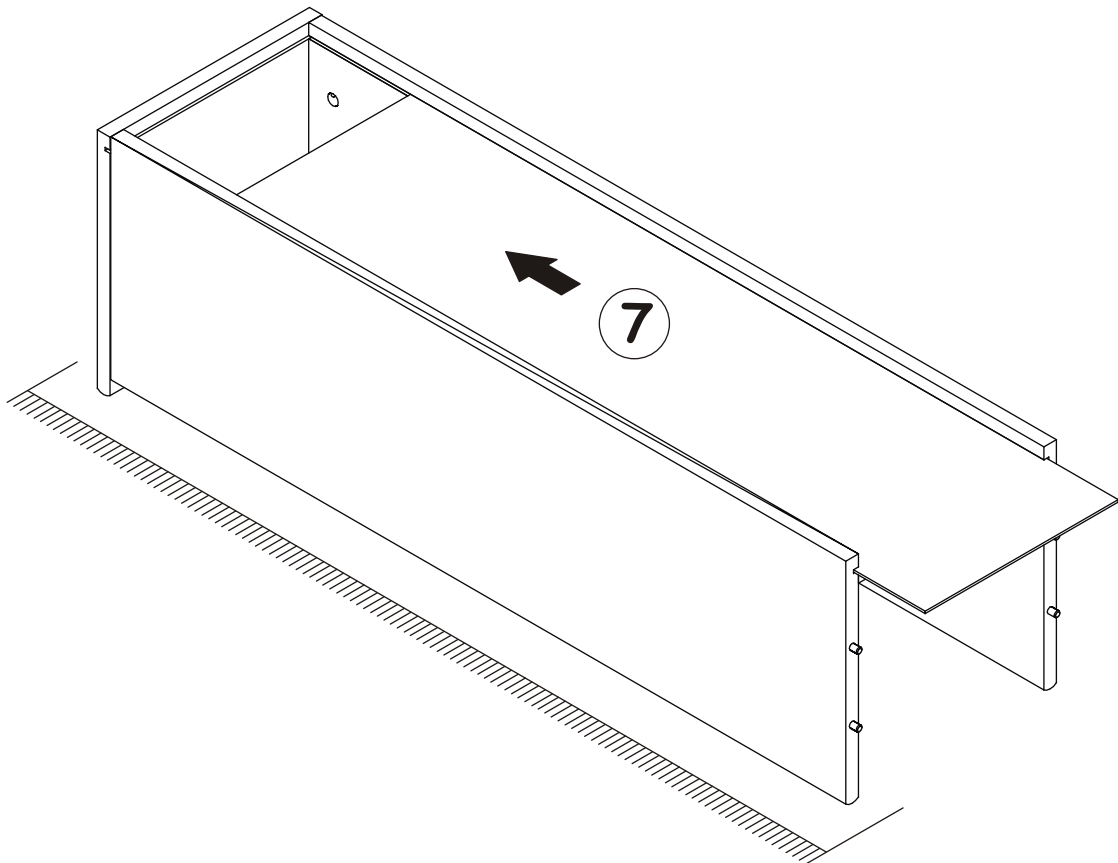
x4



4



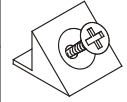
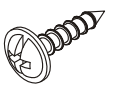
5

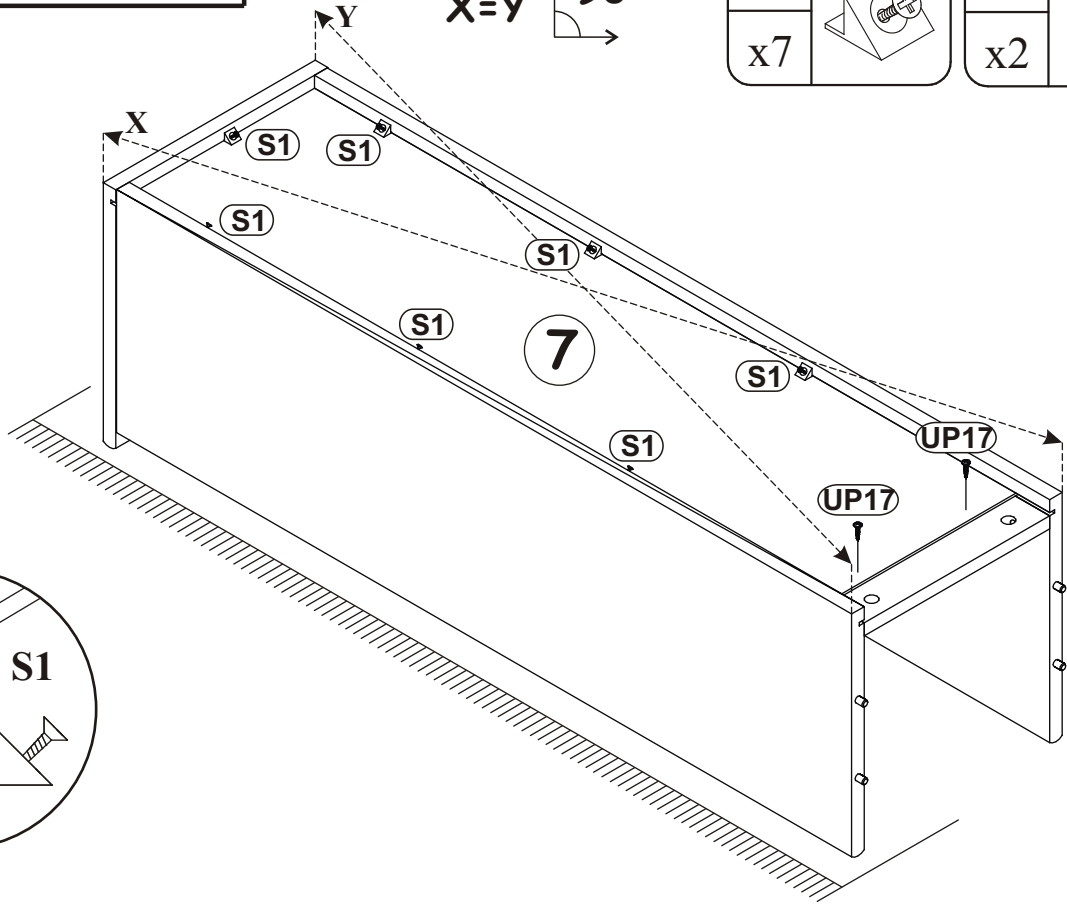
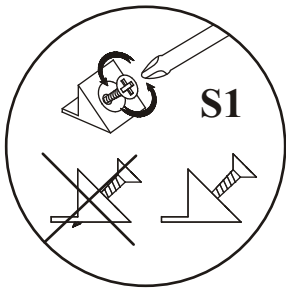


ARMARIO 1 ECO TYP C

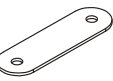
6

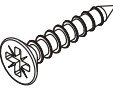
$X=Y$ 90°

S1		UP17	
x7		x2	UPØ3x16

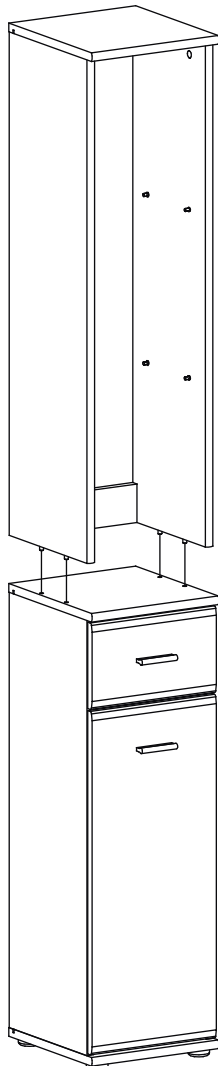


7

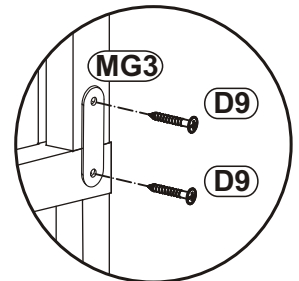
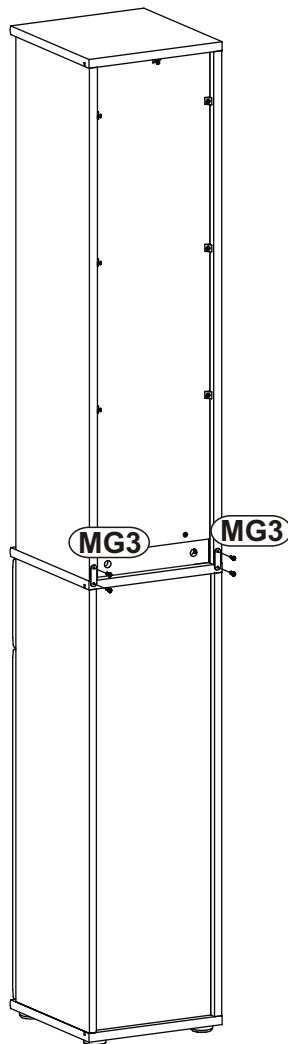
MG3	
x2	

D9	
x4	USØ3x20

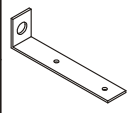
TYP B

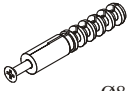



180°

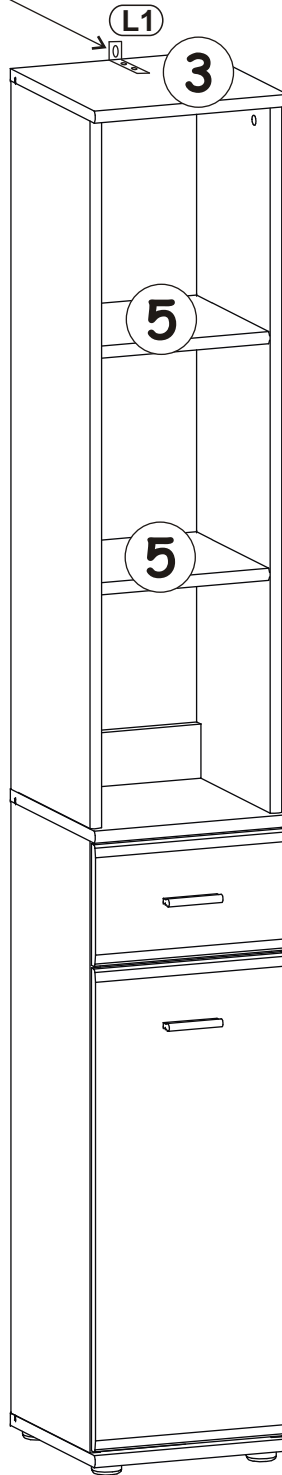
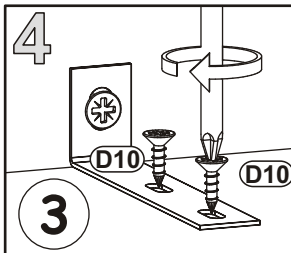
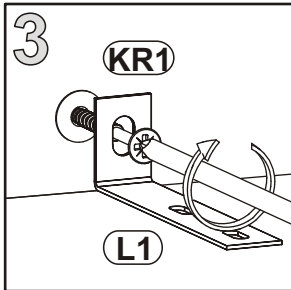
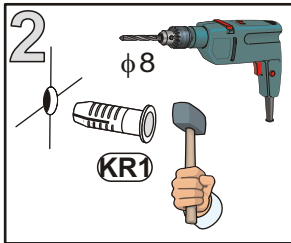
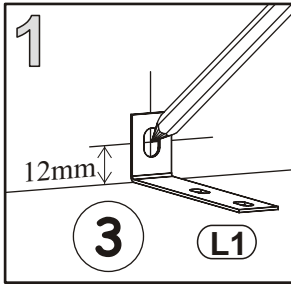
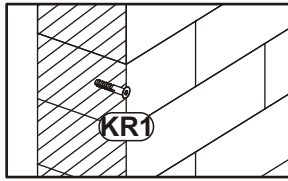
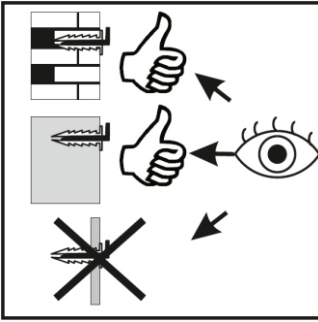


8

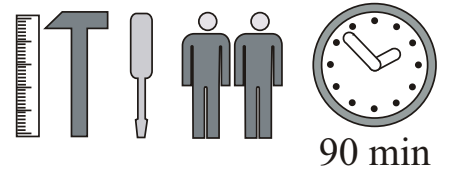
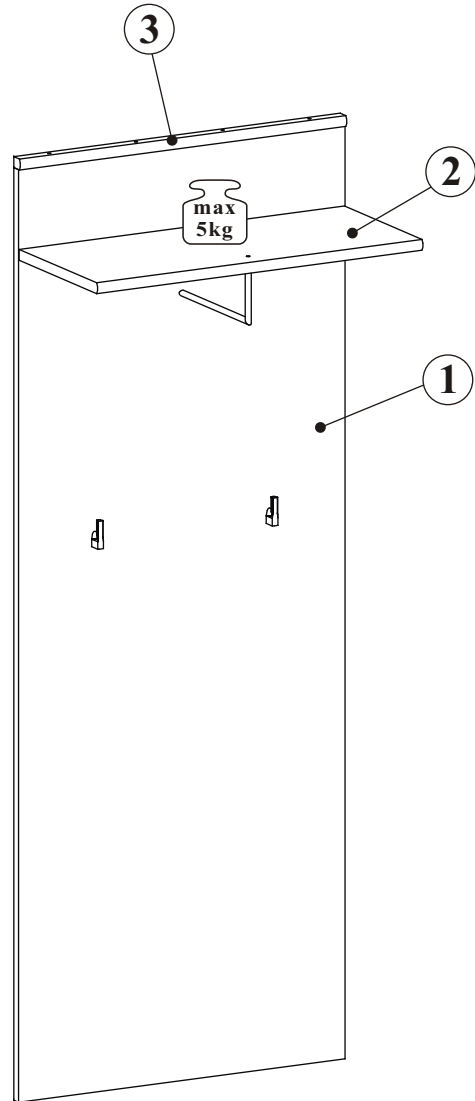
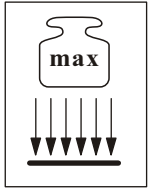
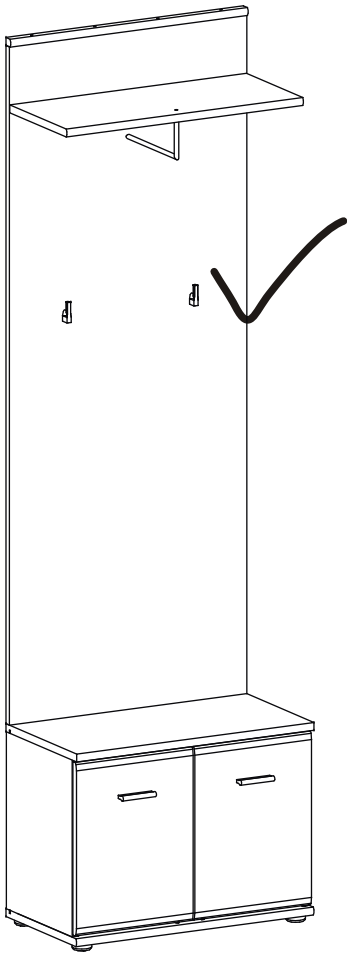
L1	
x1	

KR1	
x1	Ø8

D10	
x2	USØ3,5x13



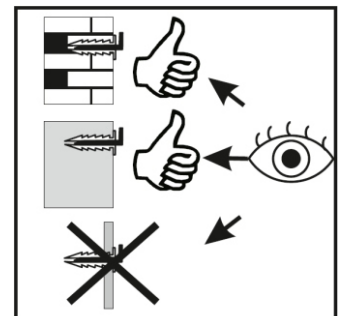
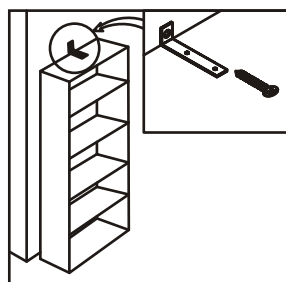
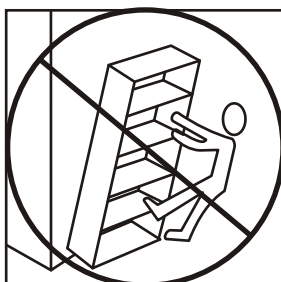
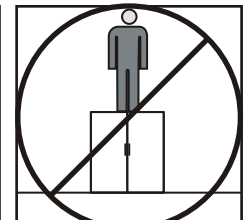
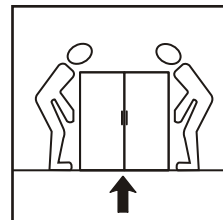
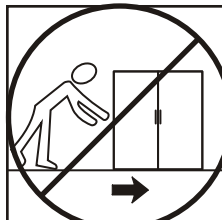
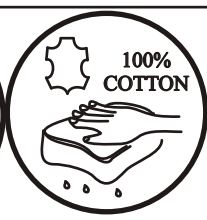
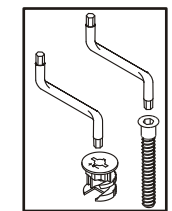
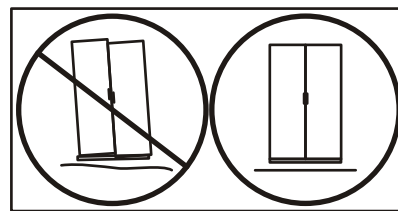
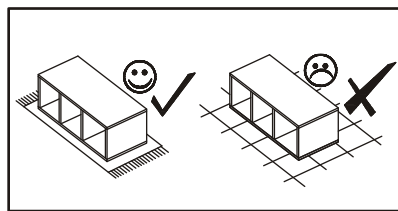
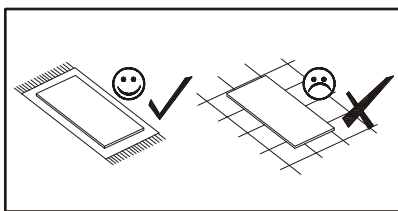
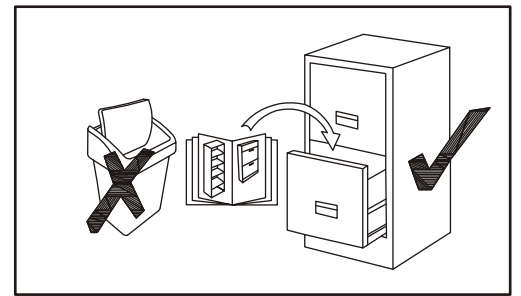
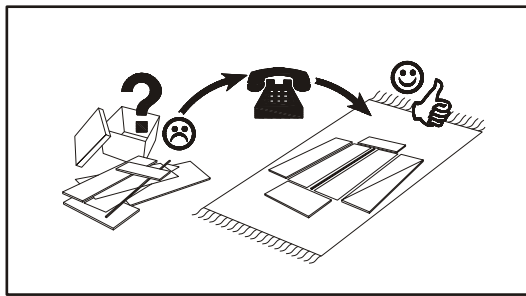
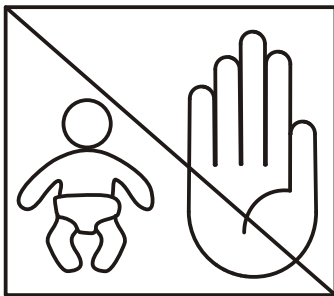
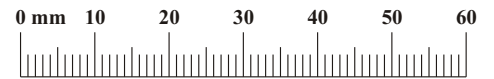
ARMARIO 1 ECO TYP D



NO	Dim.			Col.-No	Qty
1	1548	602	16	1	1
2	600	260	18	1	1
3	602	18	22	1	1

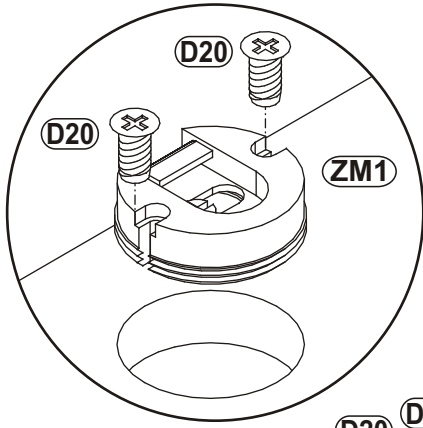
ARMARIO 1 ECO TYP D

A1 x3 ø8x36	ZM1 x3	D20 x6 ESØ6x9,5	UP16 x4 UPØ4x35	B11 x2 Ø7x50	G4 x2
WS1 x2	UP6 x4 UPØ4x30	L50 x1	D4 x2 M4x30	KR2 x3 Ø8	G2 x1

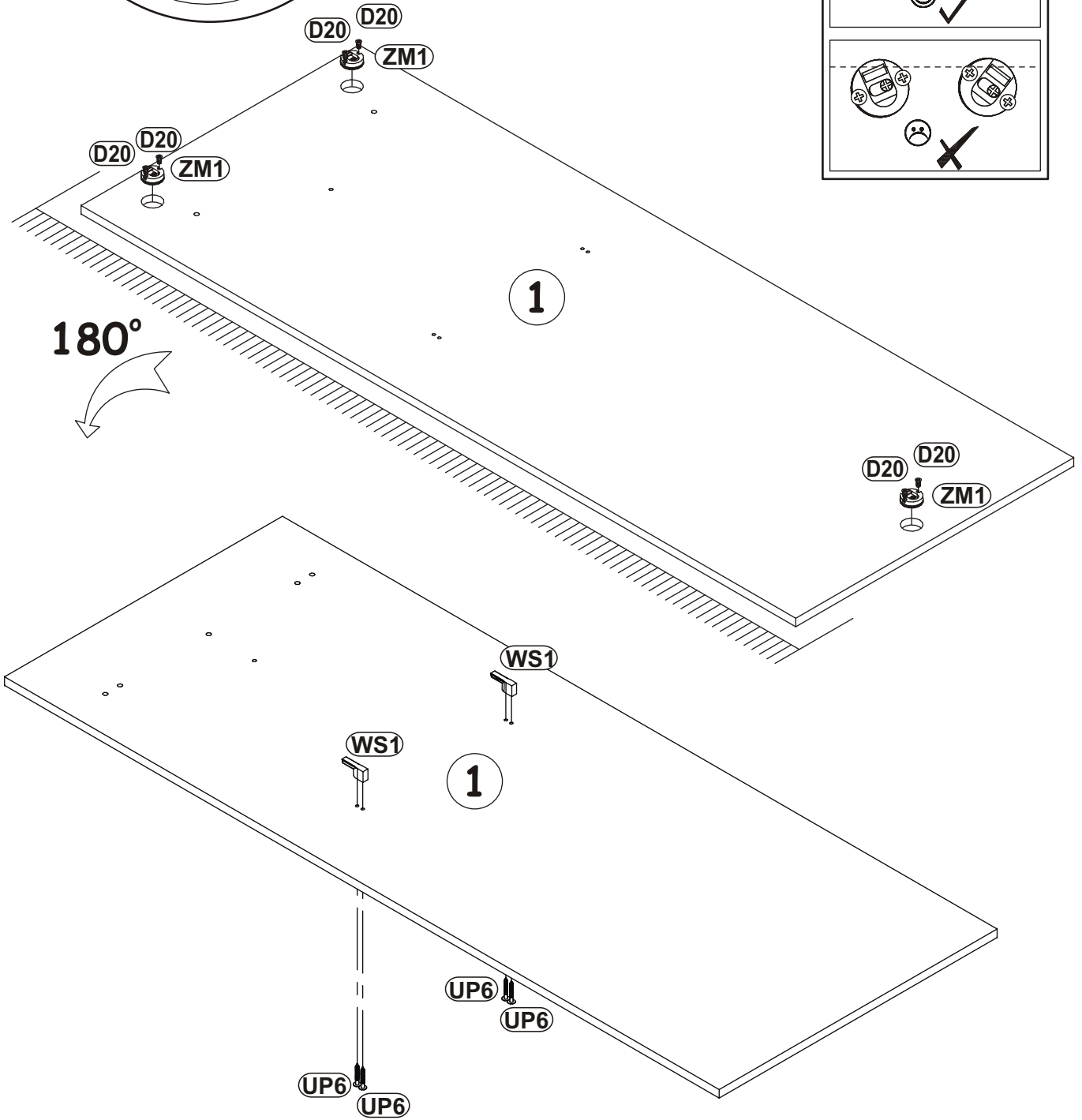
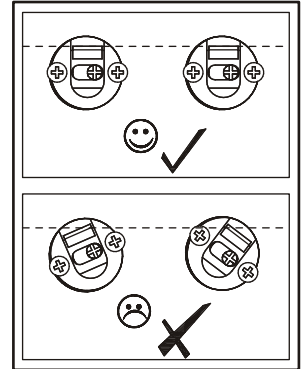


ARMARIO 1 ECO TYP D

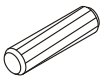
1

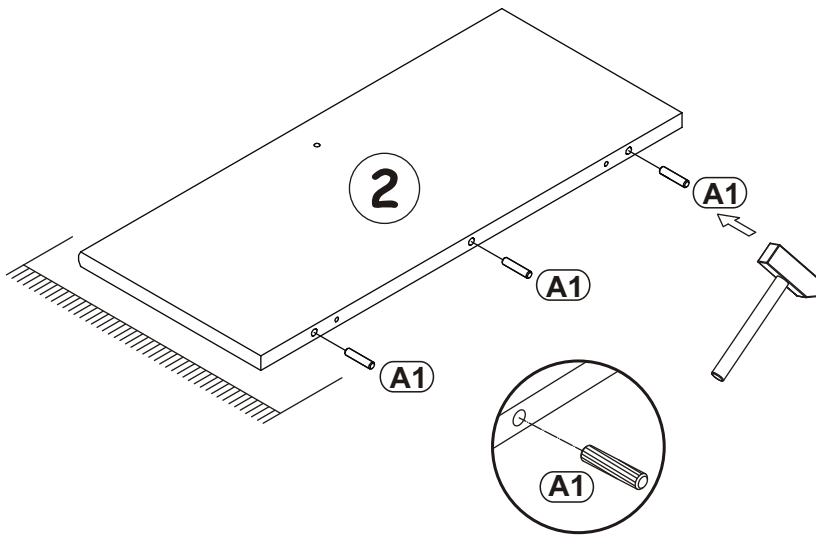


ZM1		D20	
x3		x6	
WS1		UP6	
x2		x4	





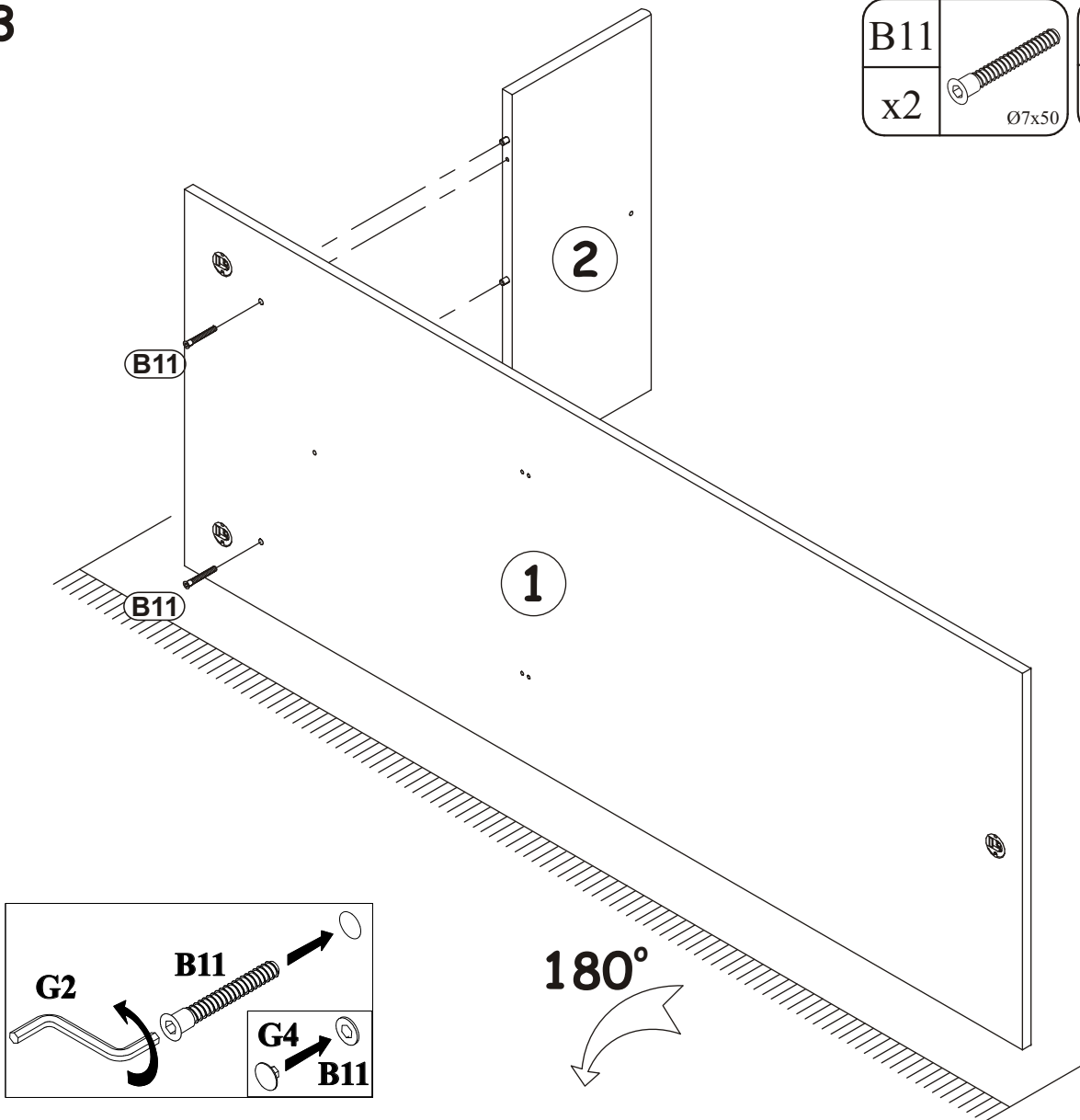
2

A1	
x3	ø8x36




3

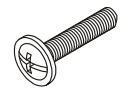
B11		G4	
x2	Ø7x50	x2	

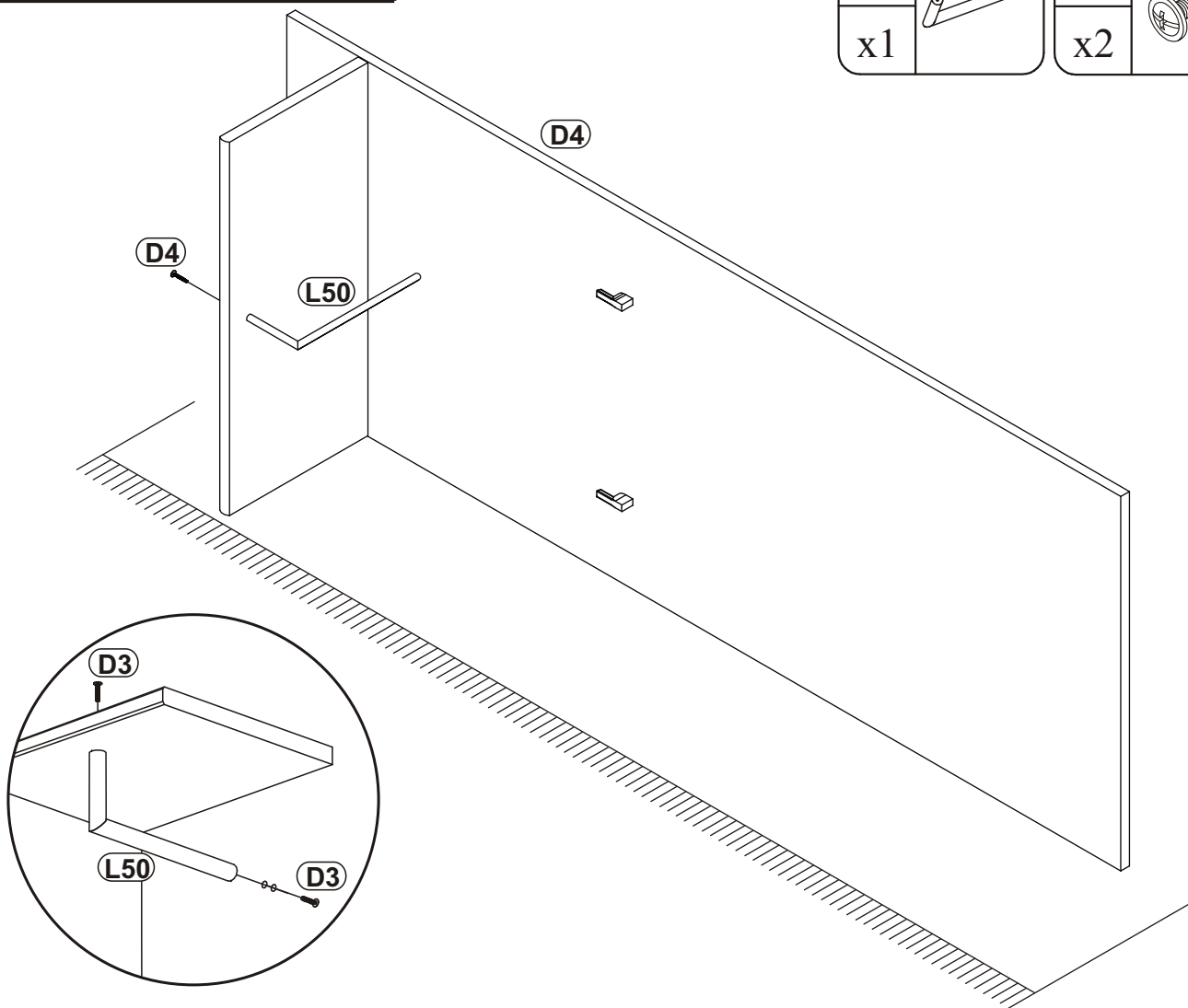


ARMARIO 1 ECO TYP D


4

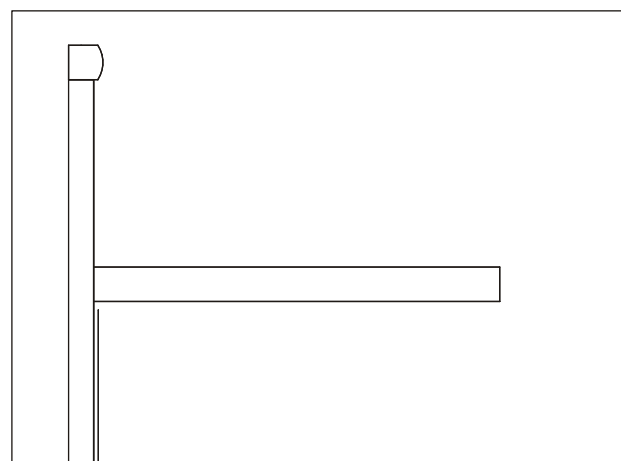
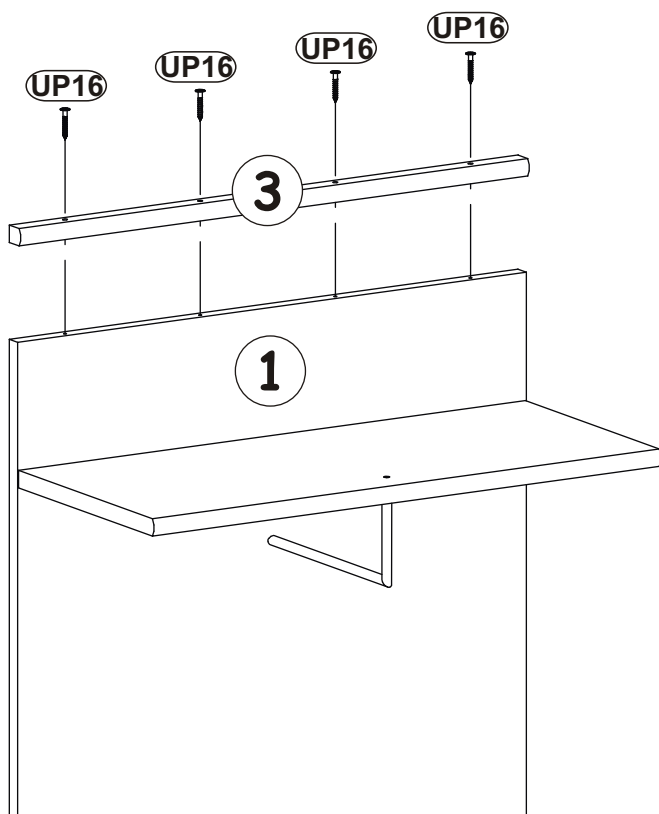
L50	
x1	

D4	
x2	M4x30



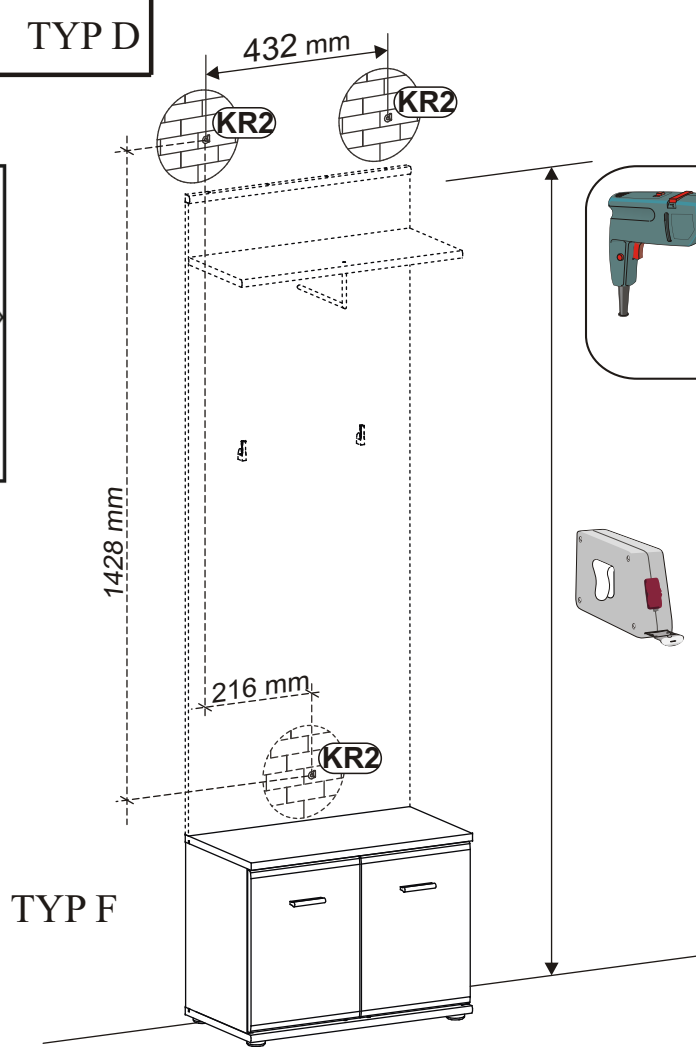
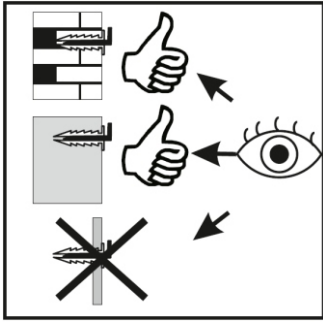
5

UP16	
x4	UPØ4x35



ARMARIO 1 ECO TYP D

6

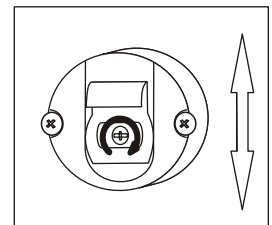
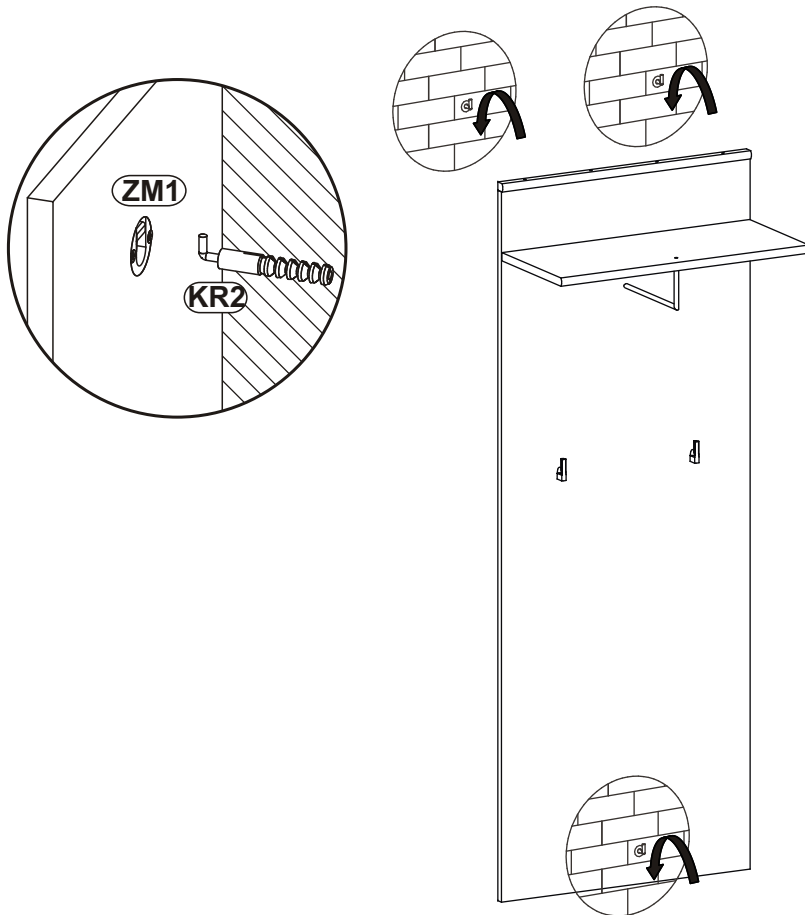


KR2	
x3	Ø8

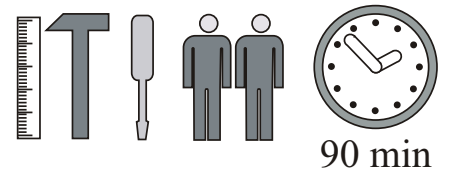
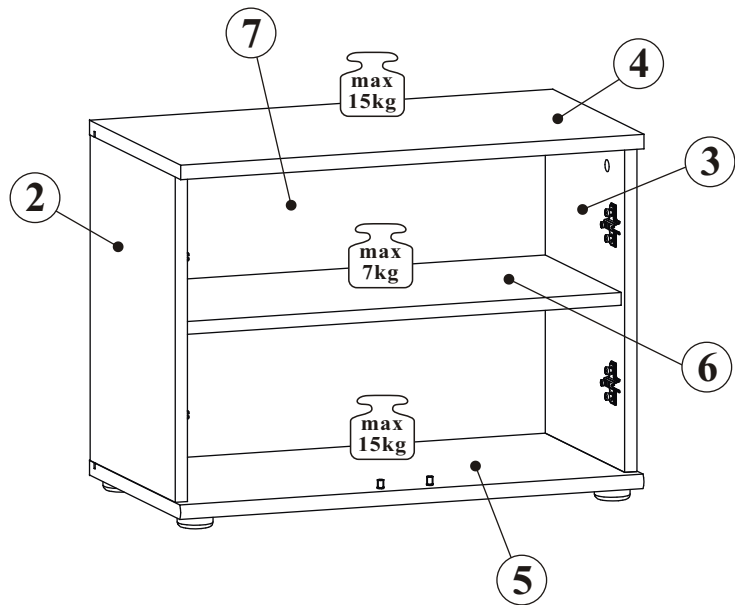
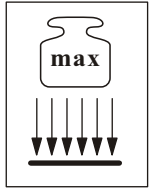
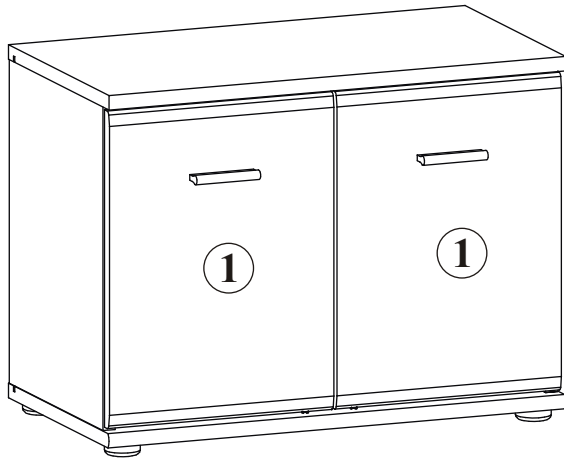
1

2

7



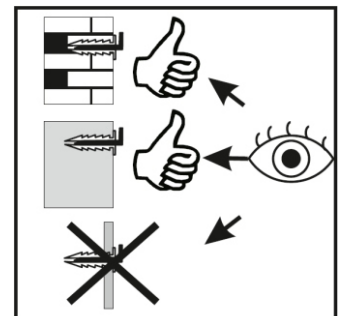
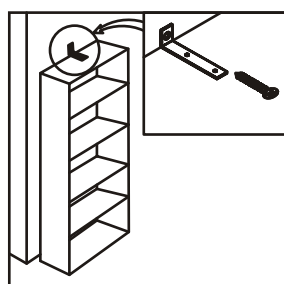
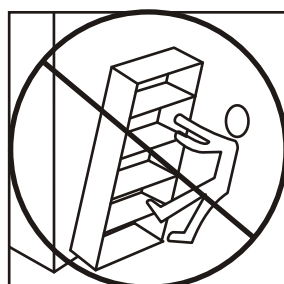
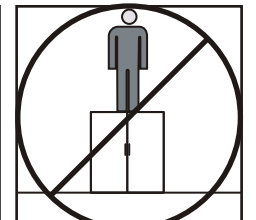
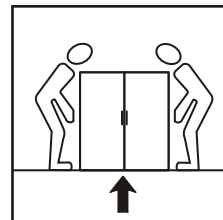
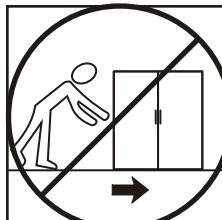
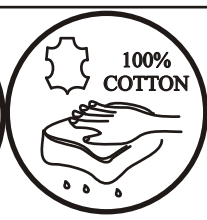
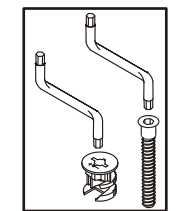
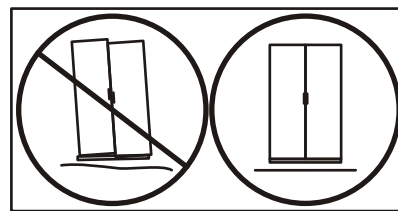
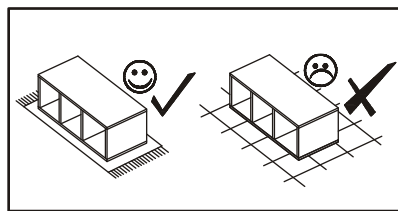
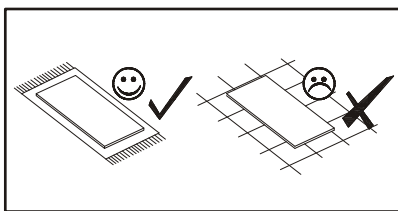
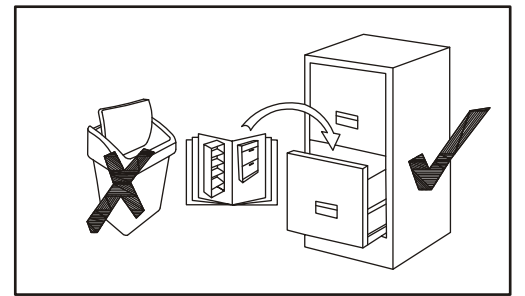
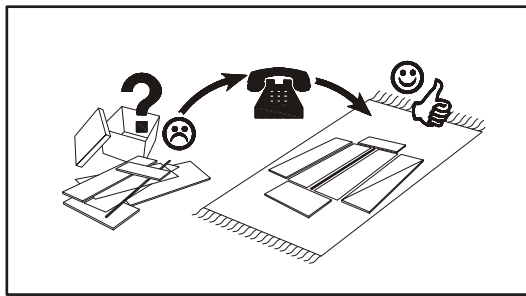
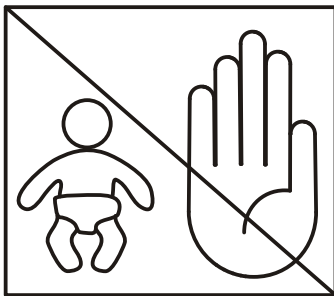
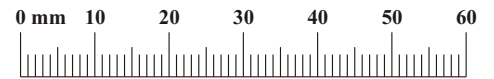
ARMARIO 1 ECO TYP F



NO	Dim.			Col.-No	Qty
1	396	296	16	1	2
2	404	300	16	1	1
3	404	300	16	1	1
4	602	322	18	1	1
5	602	322	18	1	1
6	568	268	16	1	1
7	415	578	3	1	1

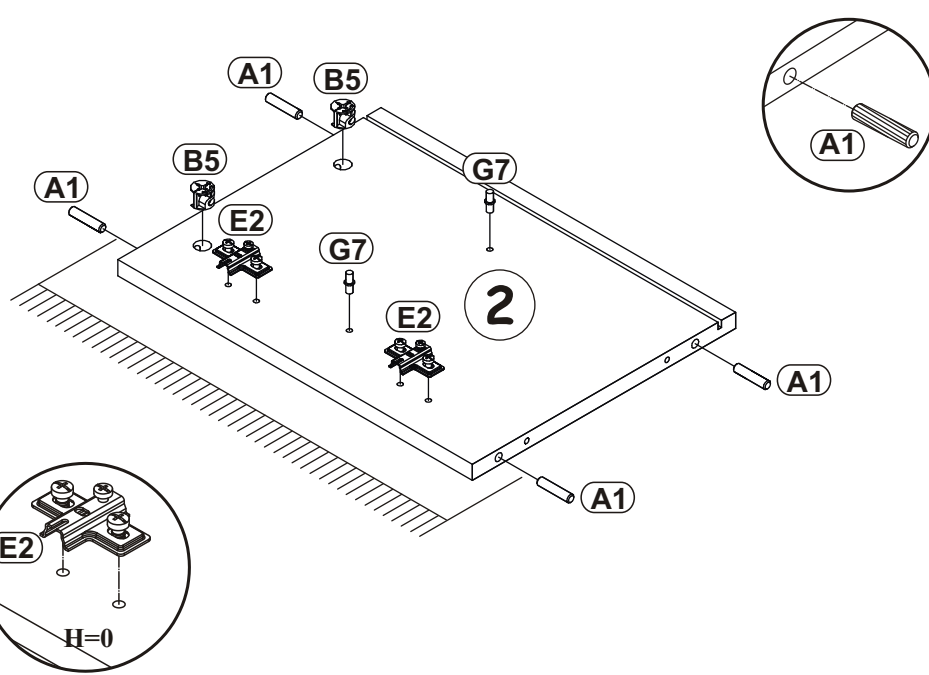
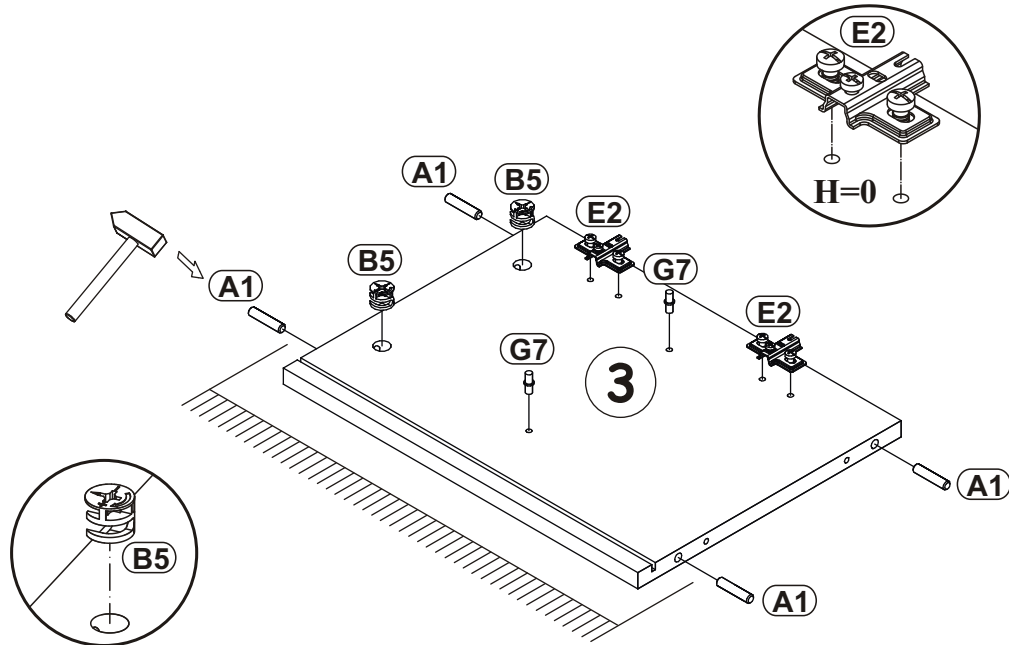
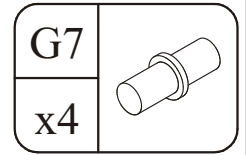
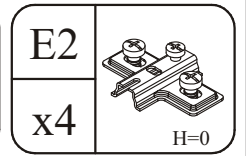
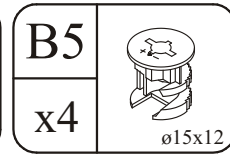
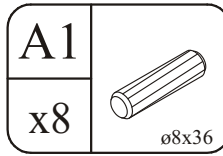
ARMARIO 1 ECO TYP F

A1 x8 ø8x36	B4 x4	B5 x4 ø15x12	G5 x4	B11 x4 Ø7x50	G4 x4
E1 x4 Ø26 H=0	E2 x4 H=0	D10 x10 USØ3,5x13	KL x2 L-64mm	UP6 x4 UPØ4x30	Z2 x4 Ø5
I11 x4	UP11 x4 UPØ4x20	S1 x6	G20 x2	G7 x4	G2 x1
L1 x1	KR1 x1 Ø8				

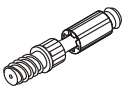


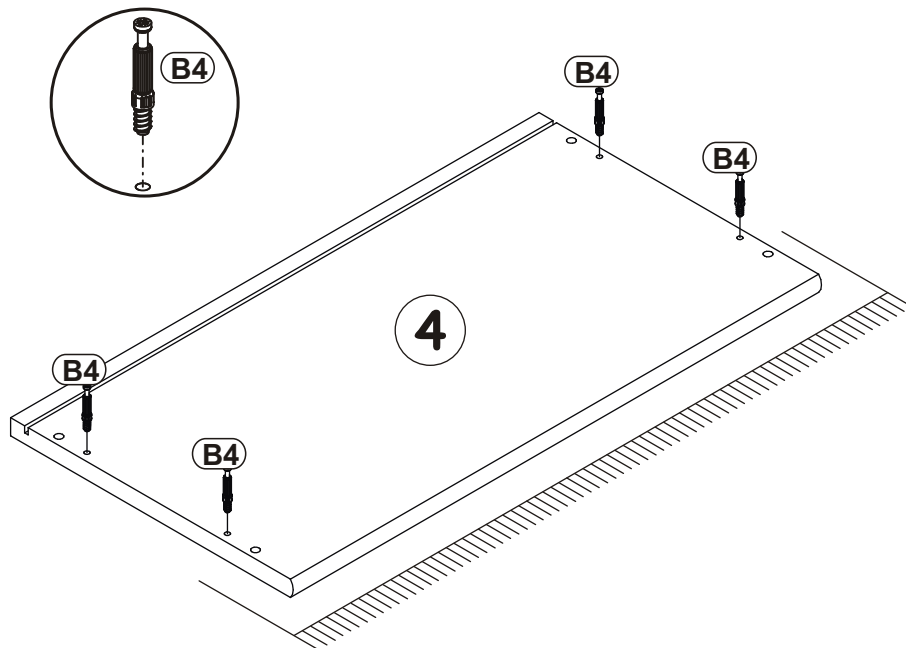
ARMARIO 1 ECO TYP F

1

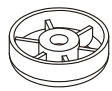

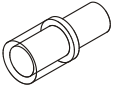


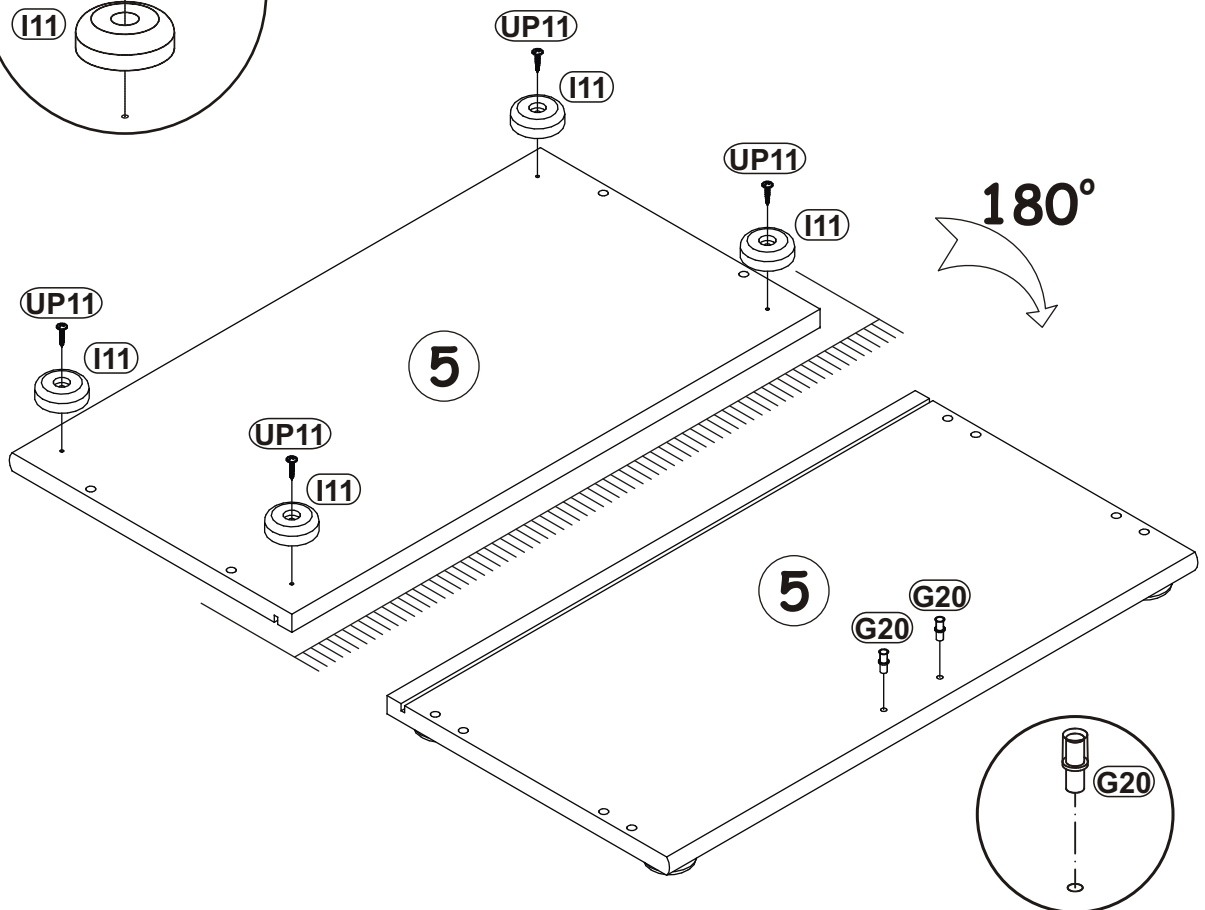
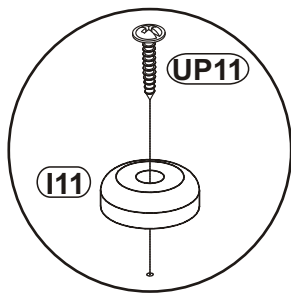
2

B4	
x4	



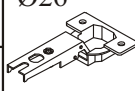
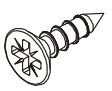
3

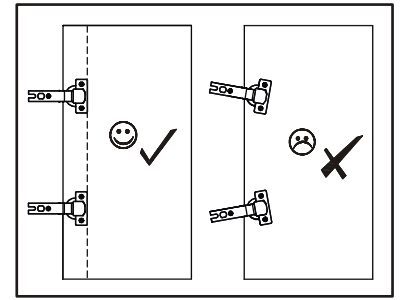
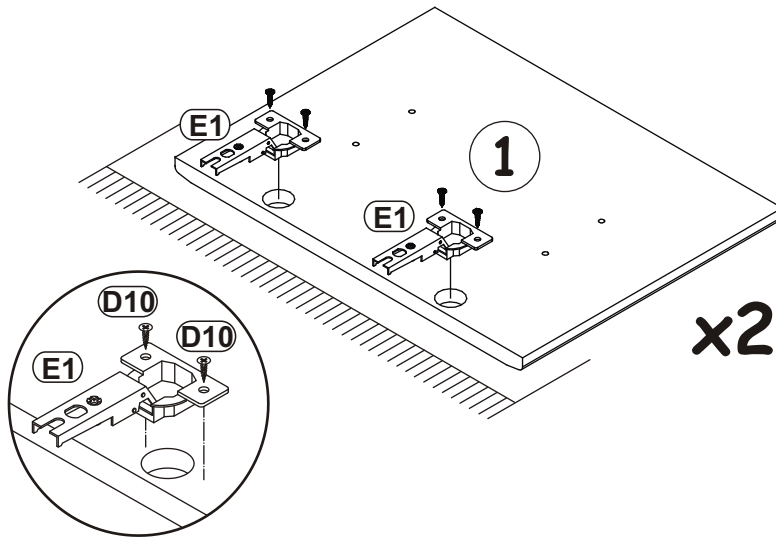
I11		UP11		G20	
x4		x4	UPØ4x20	x2	





ARMARIO 1 ECO TYP F

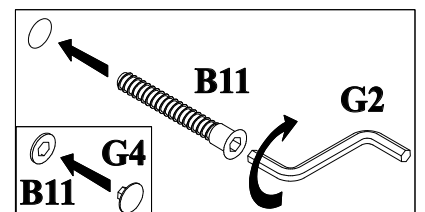
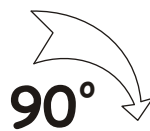
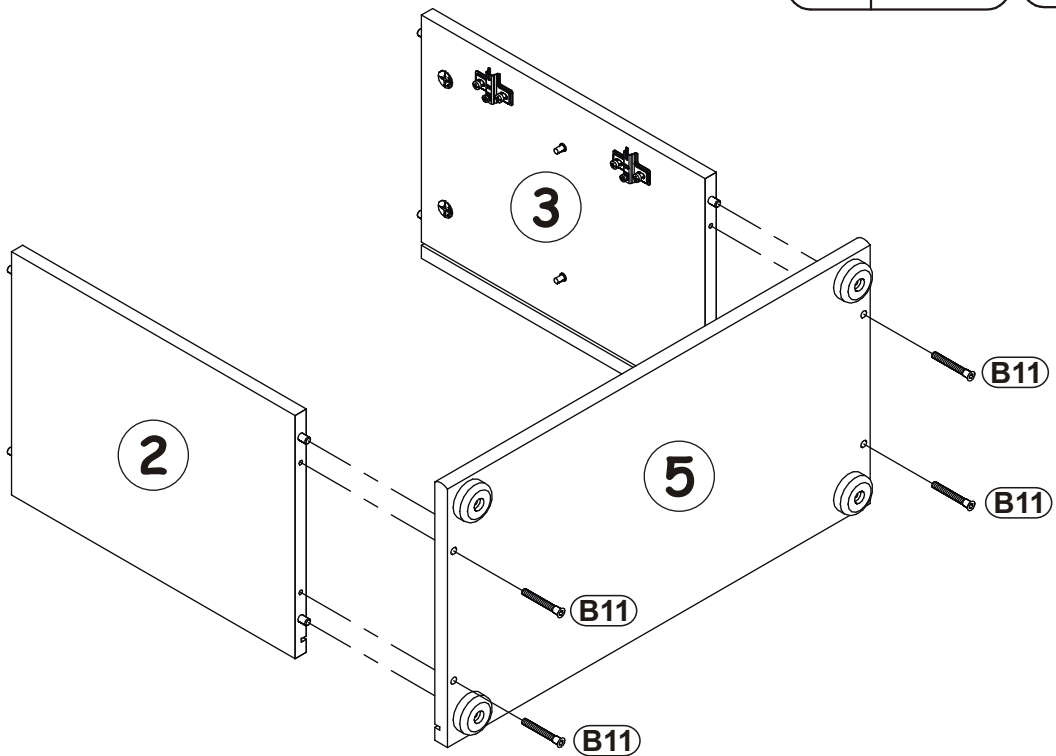
4

E1	Ø26	D10	
x4	 H=0	x8	 USØ3,5x13




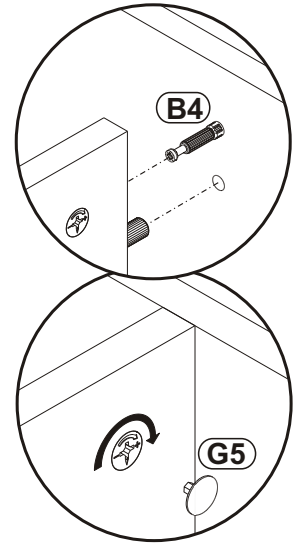
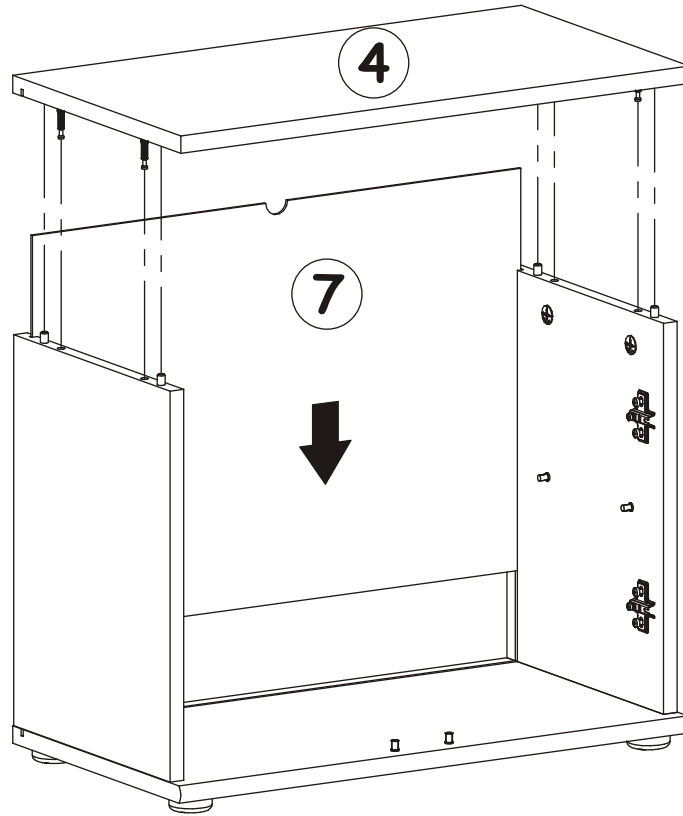
5

B11		G4	
x4	 Ø7x50	x4	




6

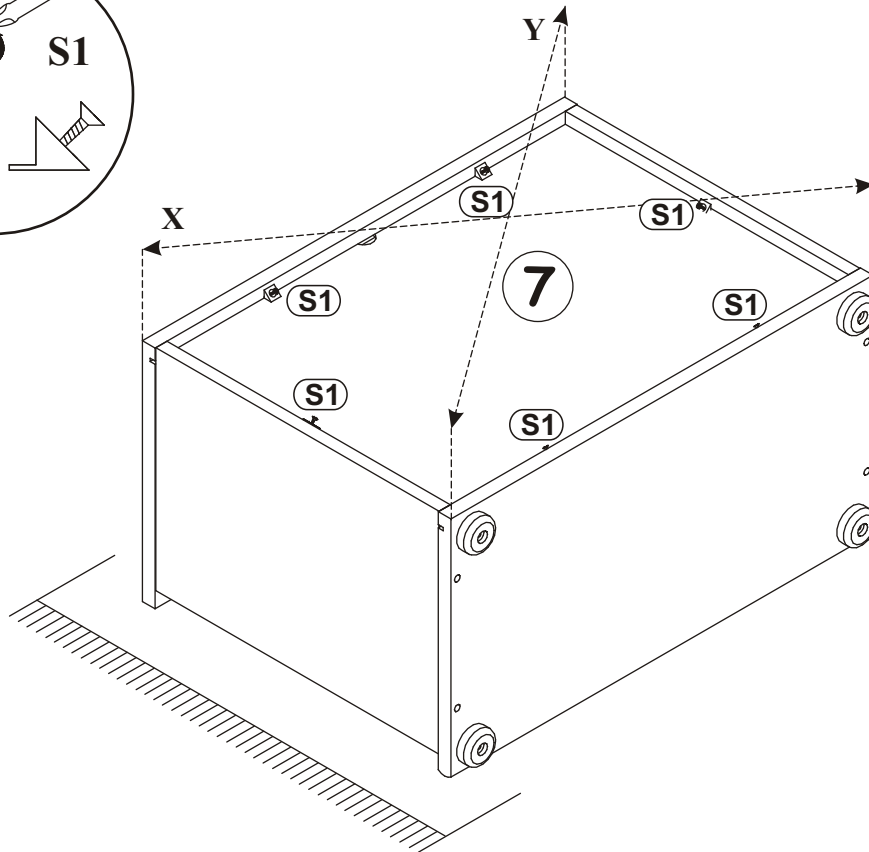
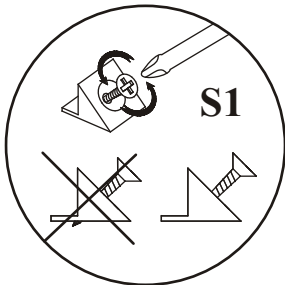
G5	
x4	



7

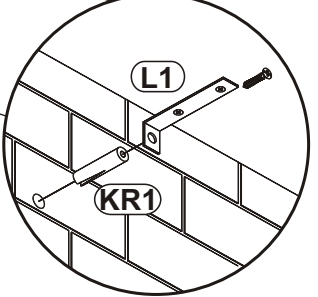
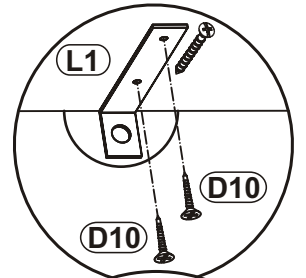
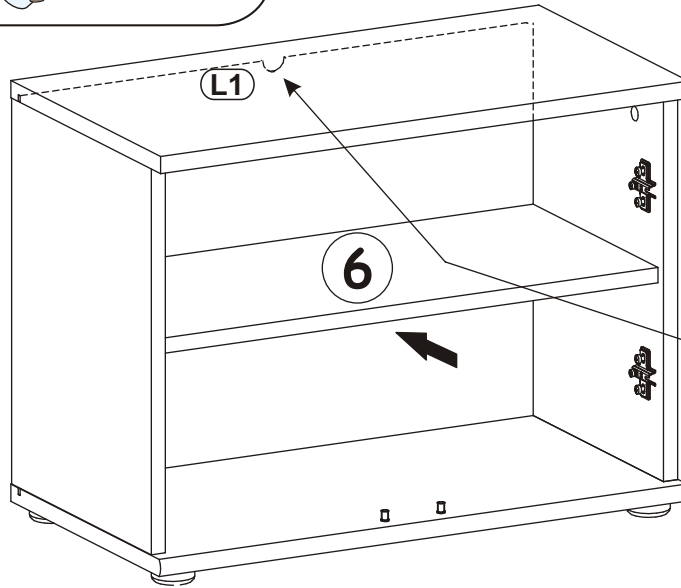
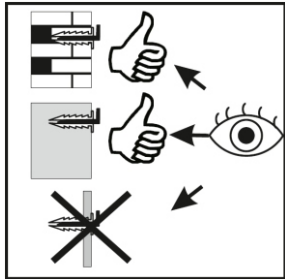
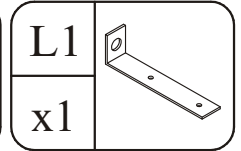
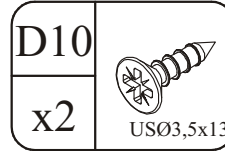
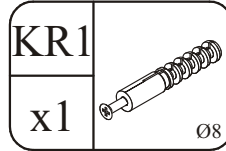
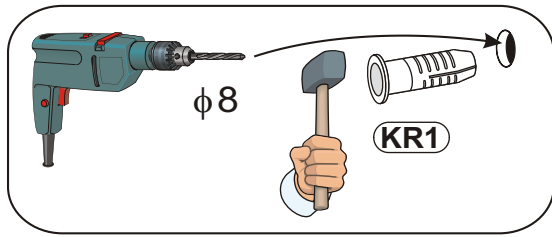
$X=Y$ \uparrow 90°

S1	
x6	

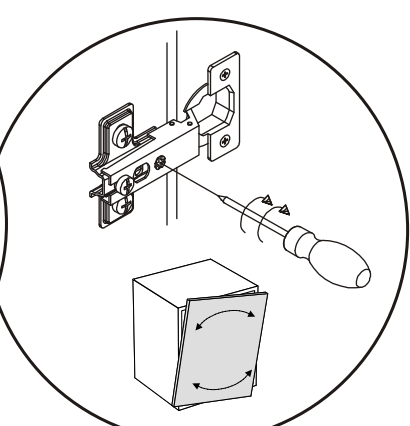
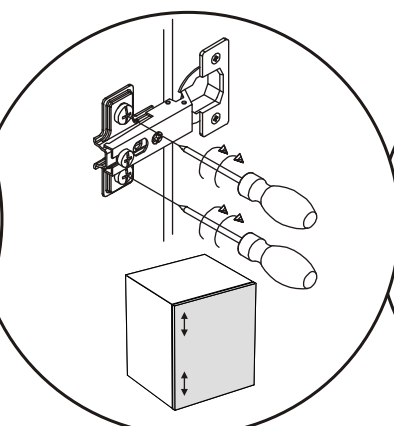
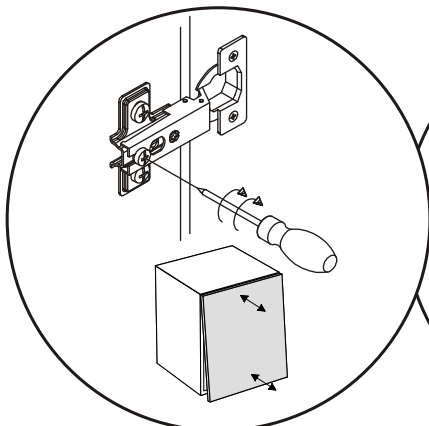
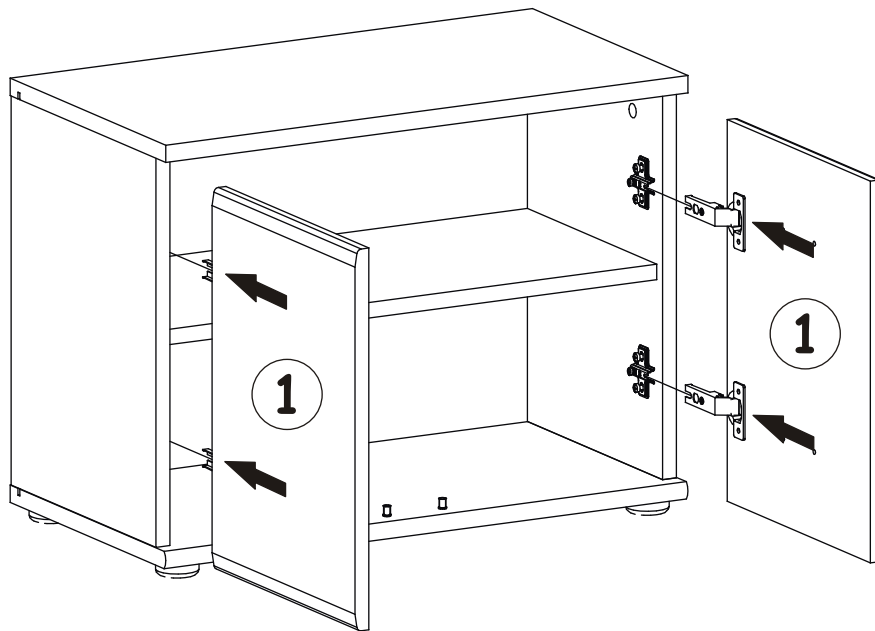


ARMARIO 1 ECO TYP F

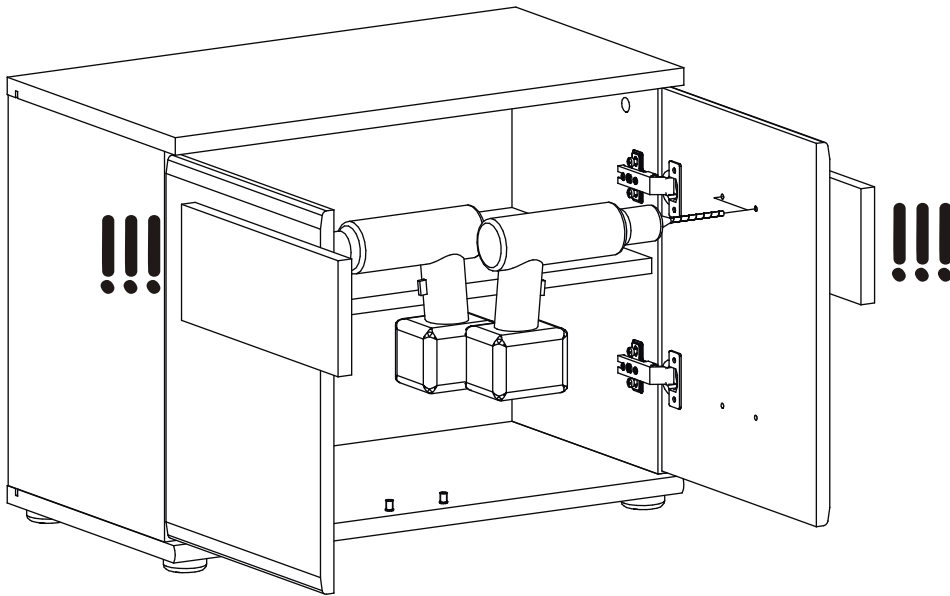
8



9



10



11

