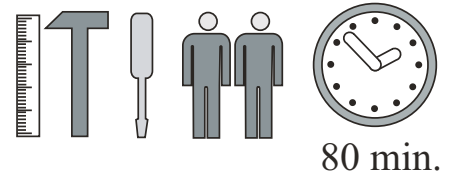
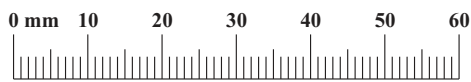
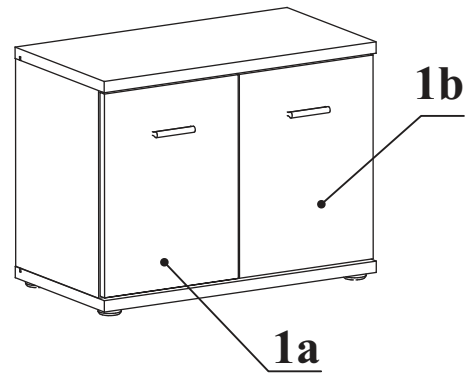
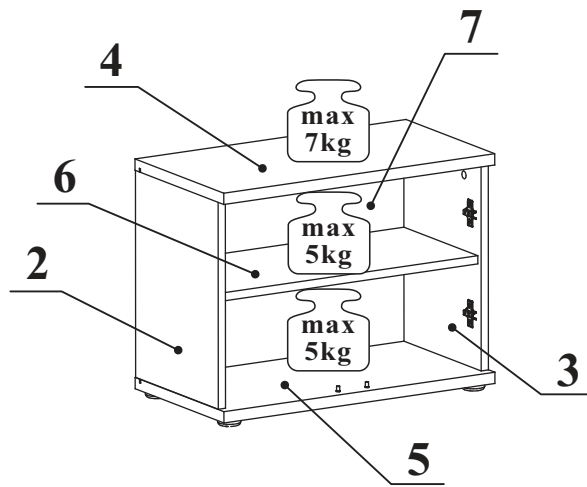
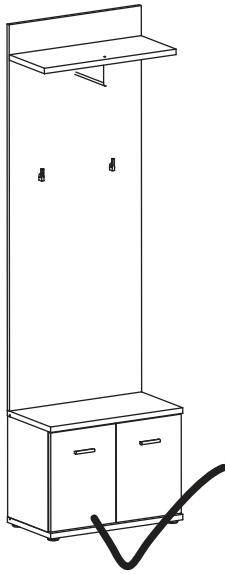
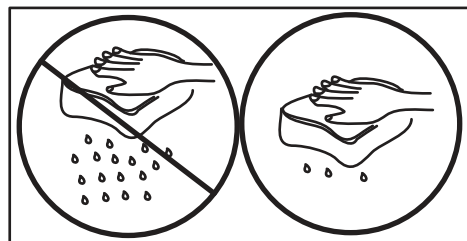
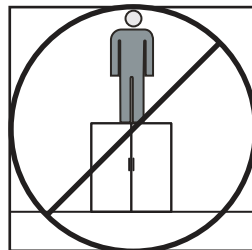
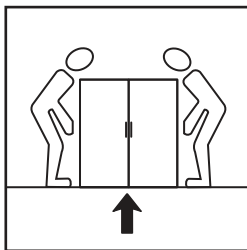
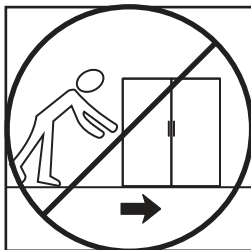
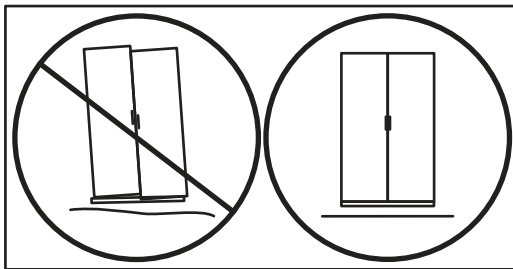
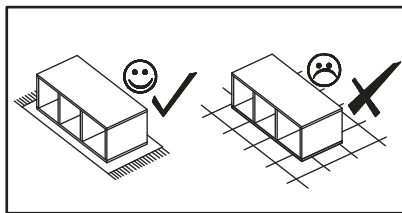
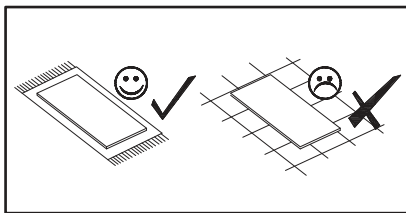
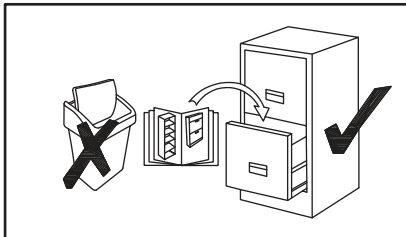
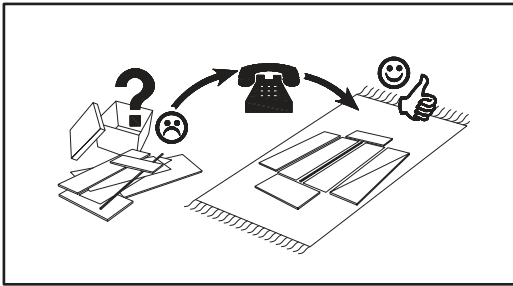


# MARCO - TYP F

# MC - F



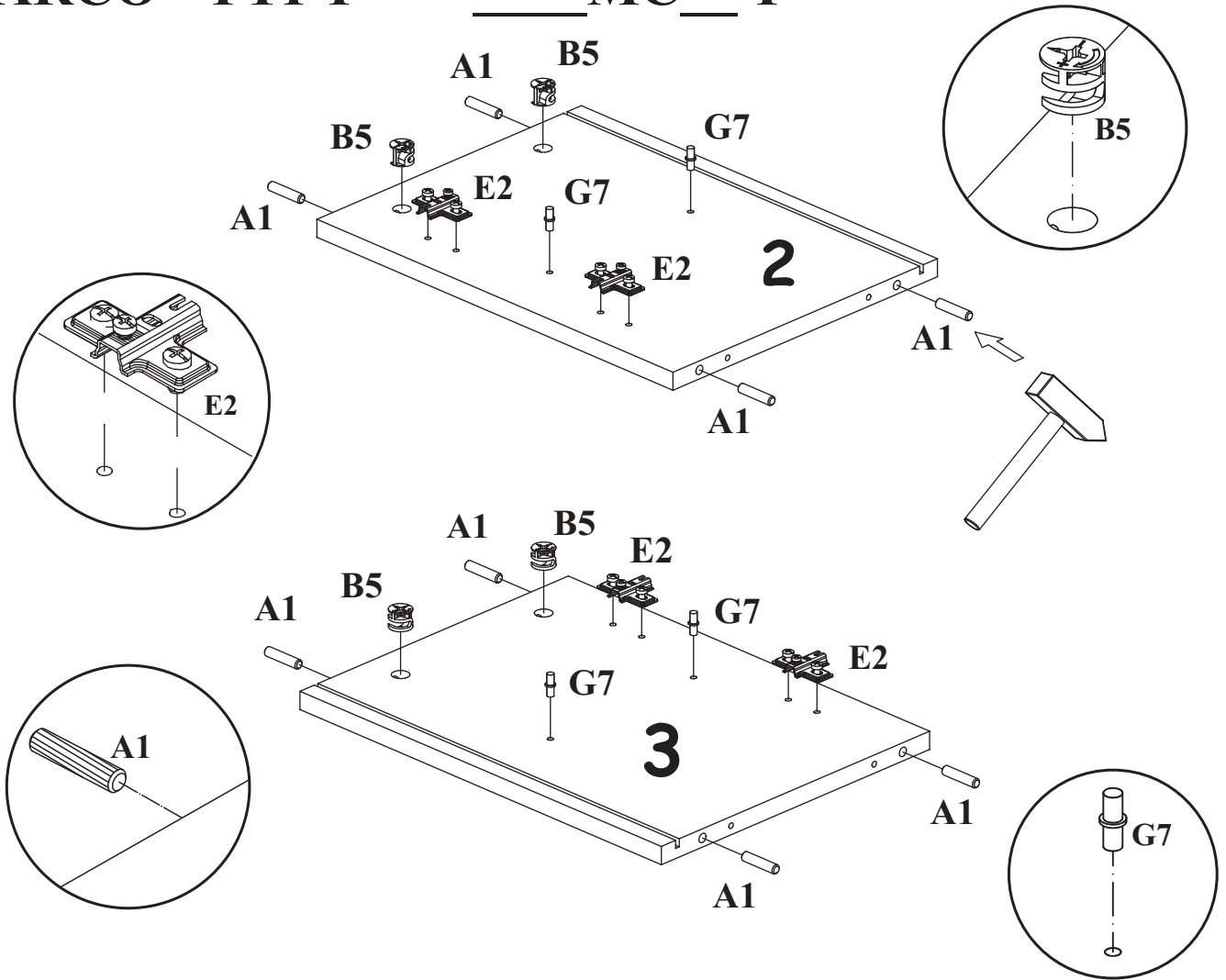
A1 X8 ø8x36	B11 X4 Ø7x50	G4 X4	B4 X4	B5 X4 ø15x12	G5 X4
G7 X4	G20 X2	E1 X4 H=0	E2 X4 H=0	KL X2	UP6 X4 UPØ4x30
Z2 X4 Ø5	S1 X6	I11 X4	D10 X8 USØ3,5x13	D11 X4 USØ3,5x25	G2 X1



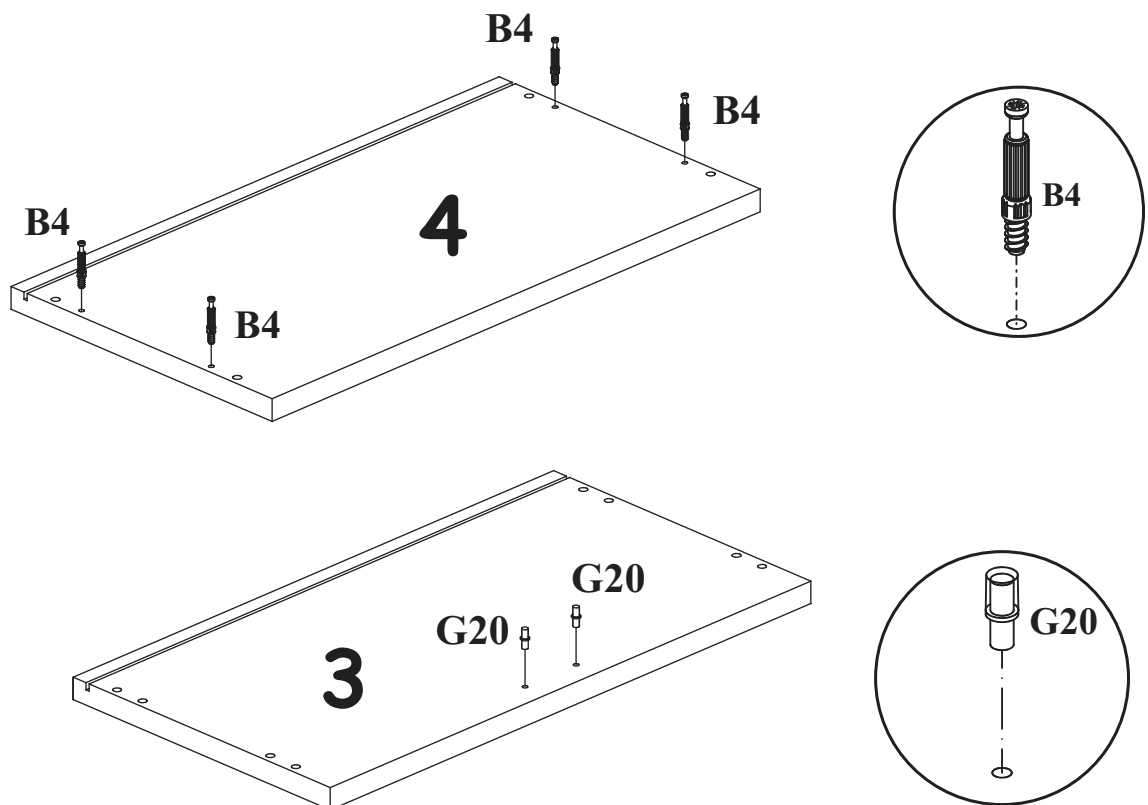
# MARCO - TYP F

# MC -F

1



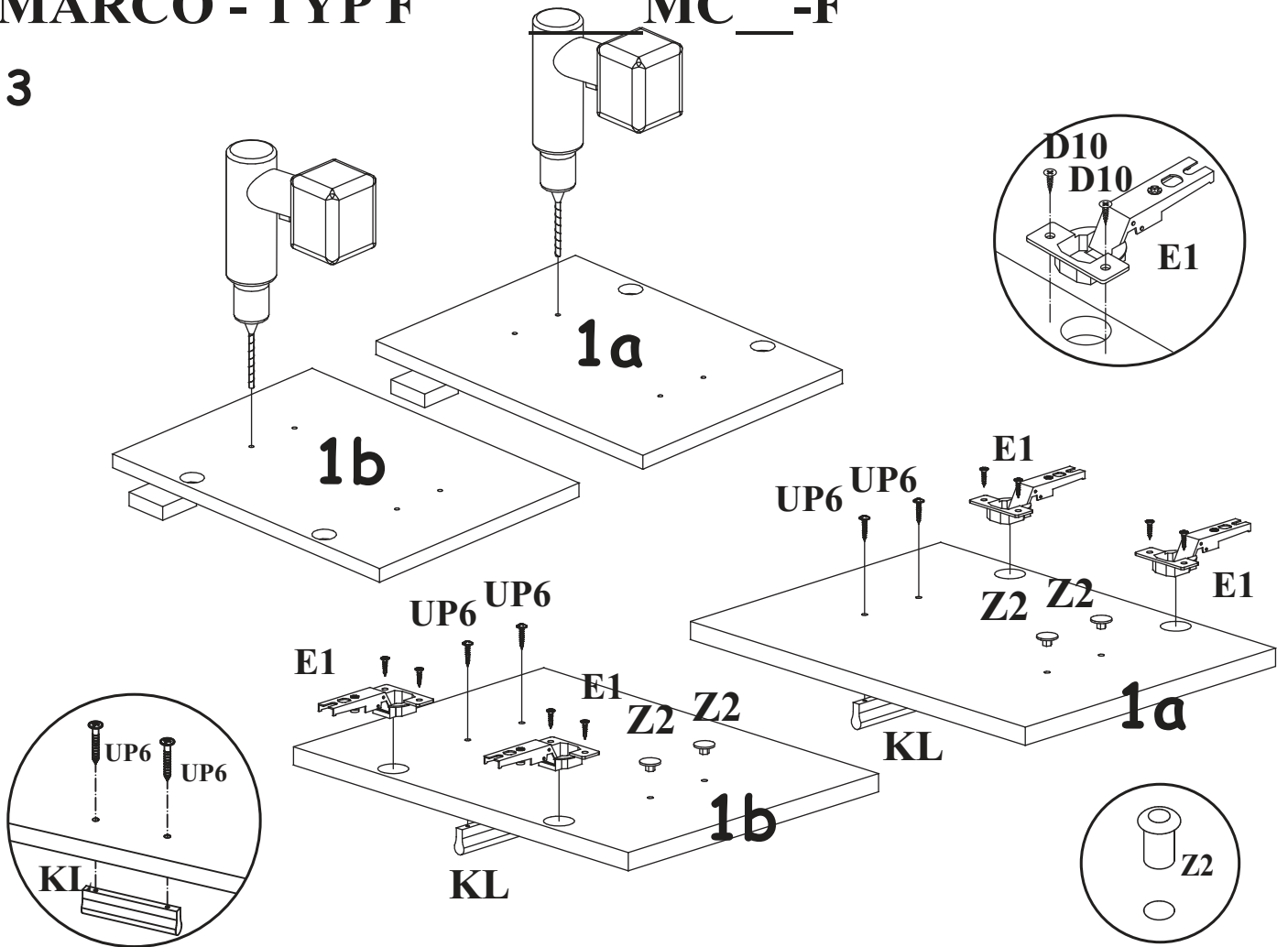
2



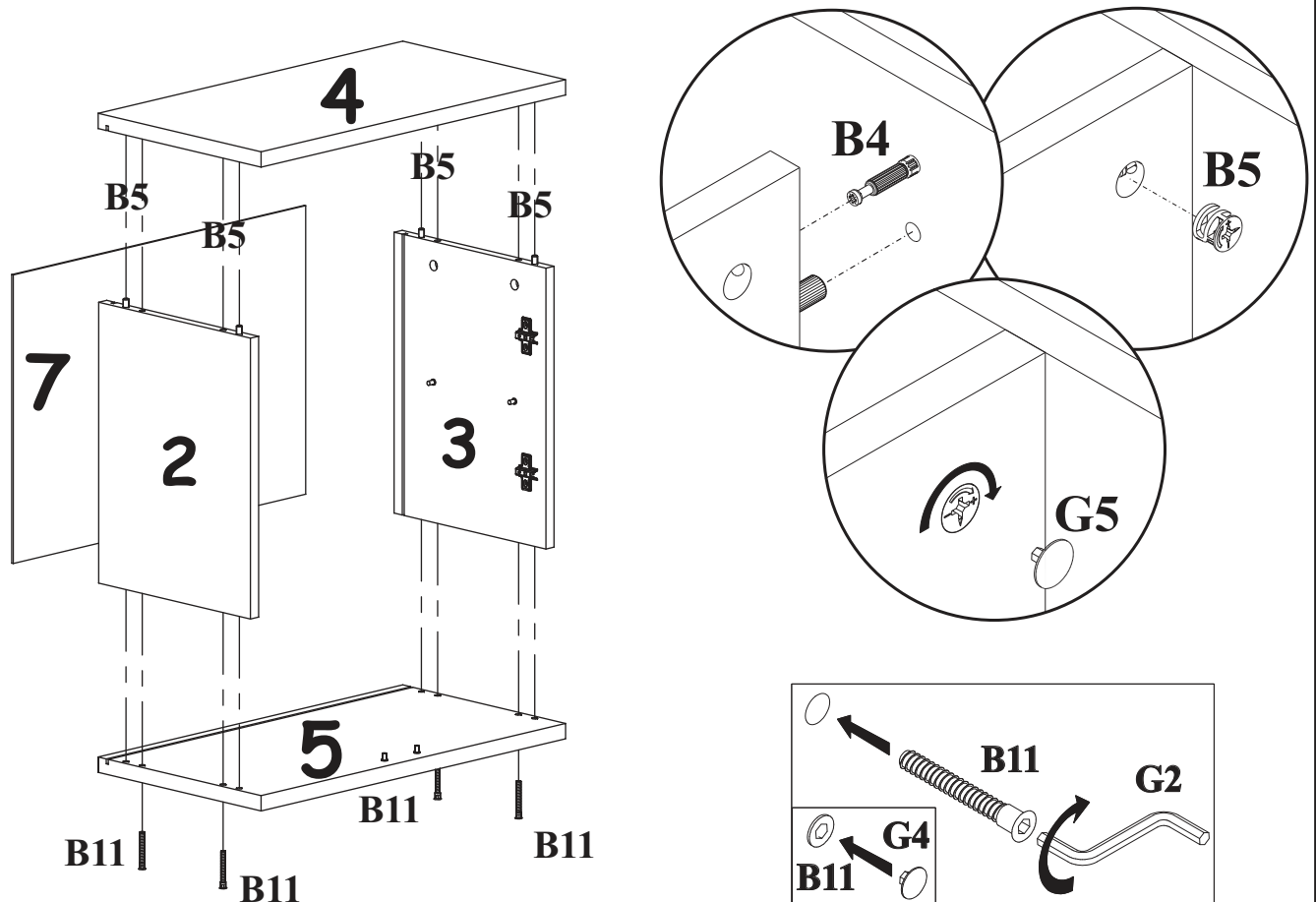
# MARCO - TYP F

# MC\_\_-F

3

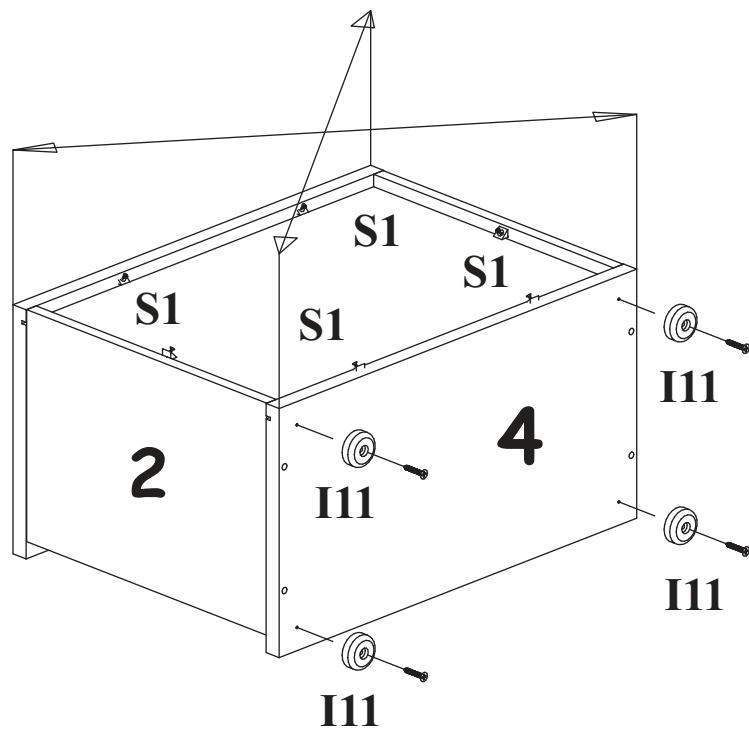


4

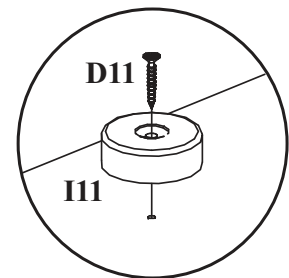
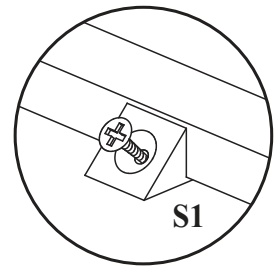


# MARCO - TYP F \_\_\_\_\_ MC \_\_\_ -F

5



X=Y  $\uparrow$  90°



6

