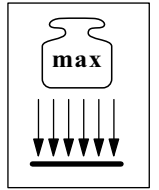
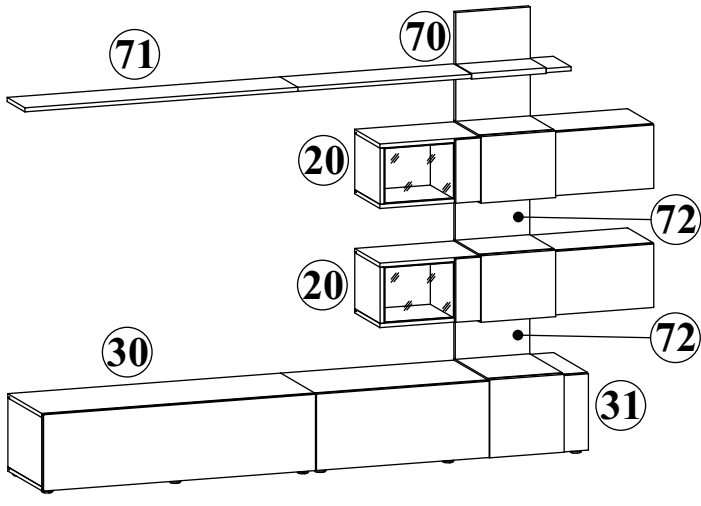
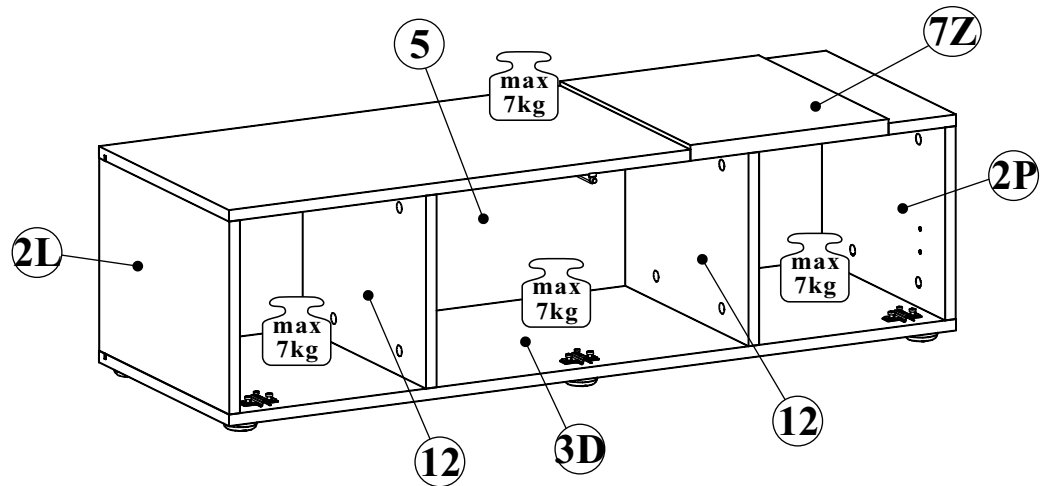
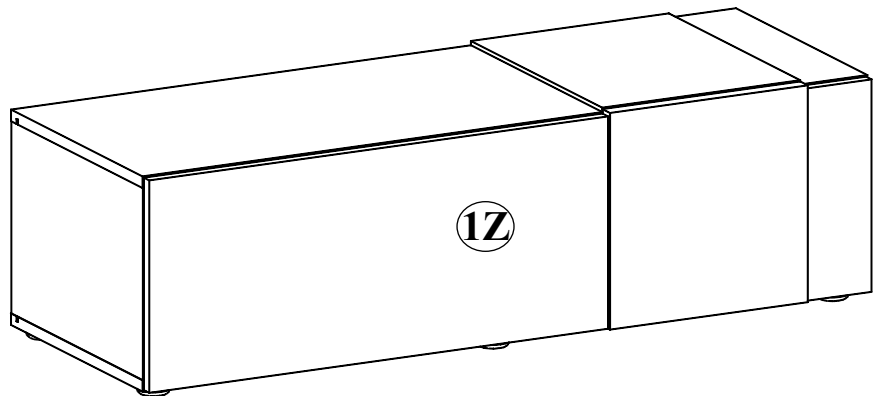


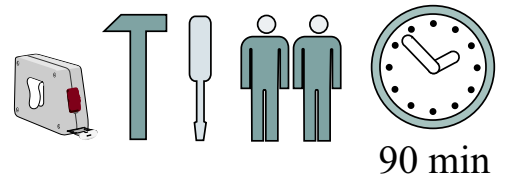
# QUILL TYP 31



31


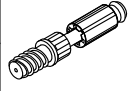

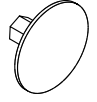


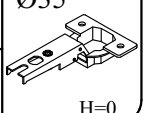
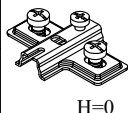

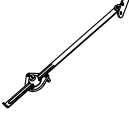


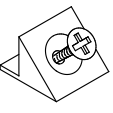

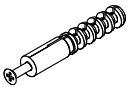
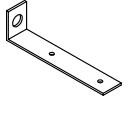



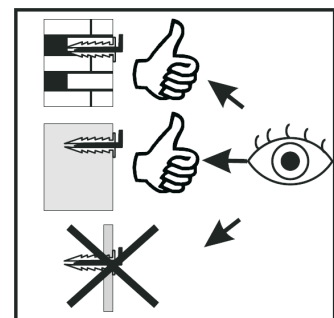
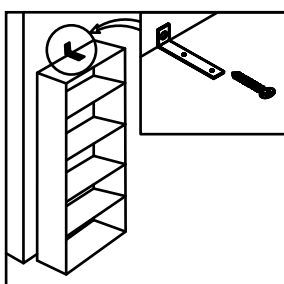
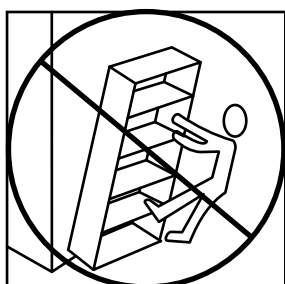
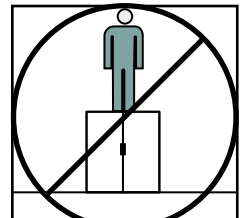
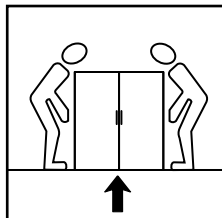
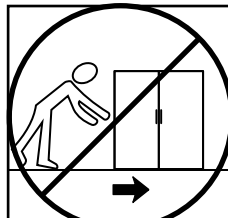
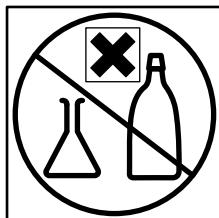
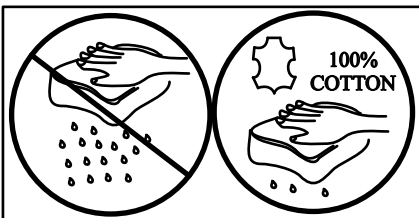
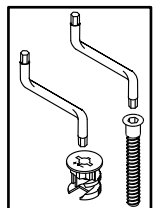
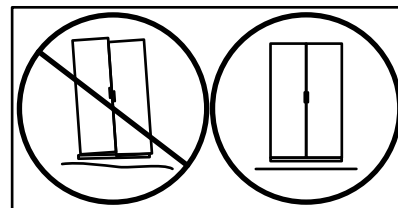
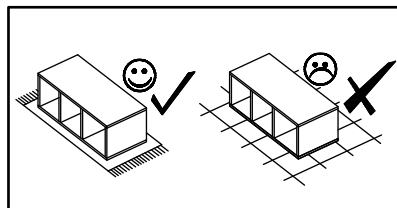
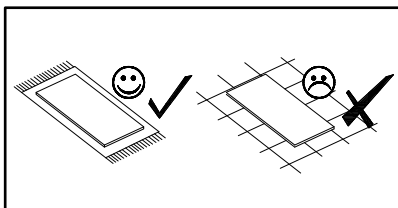
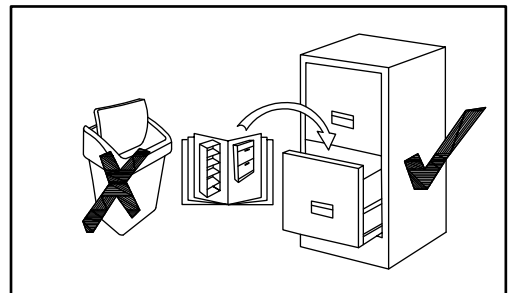
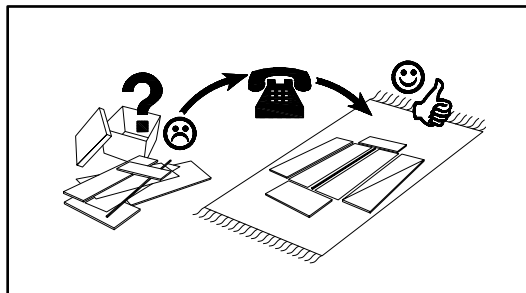
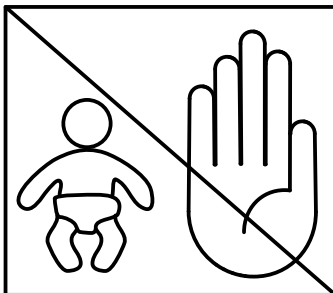
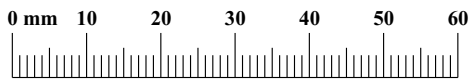
NO	Dim.			Col.-No	Qty
1Z	296	1096	16	1	1
2L	268	380	16	1	1
2P	268	380	16	1	1
12	268	360	16	1	2
3D	1100	380	16	1	1
5	280	1079	3	1	1
7Z	1100	380	16	1	1



90 min

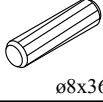

# QUILL TYP 31

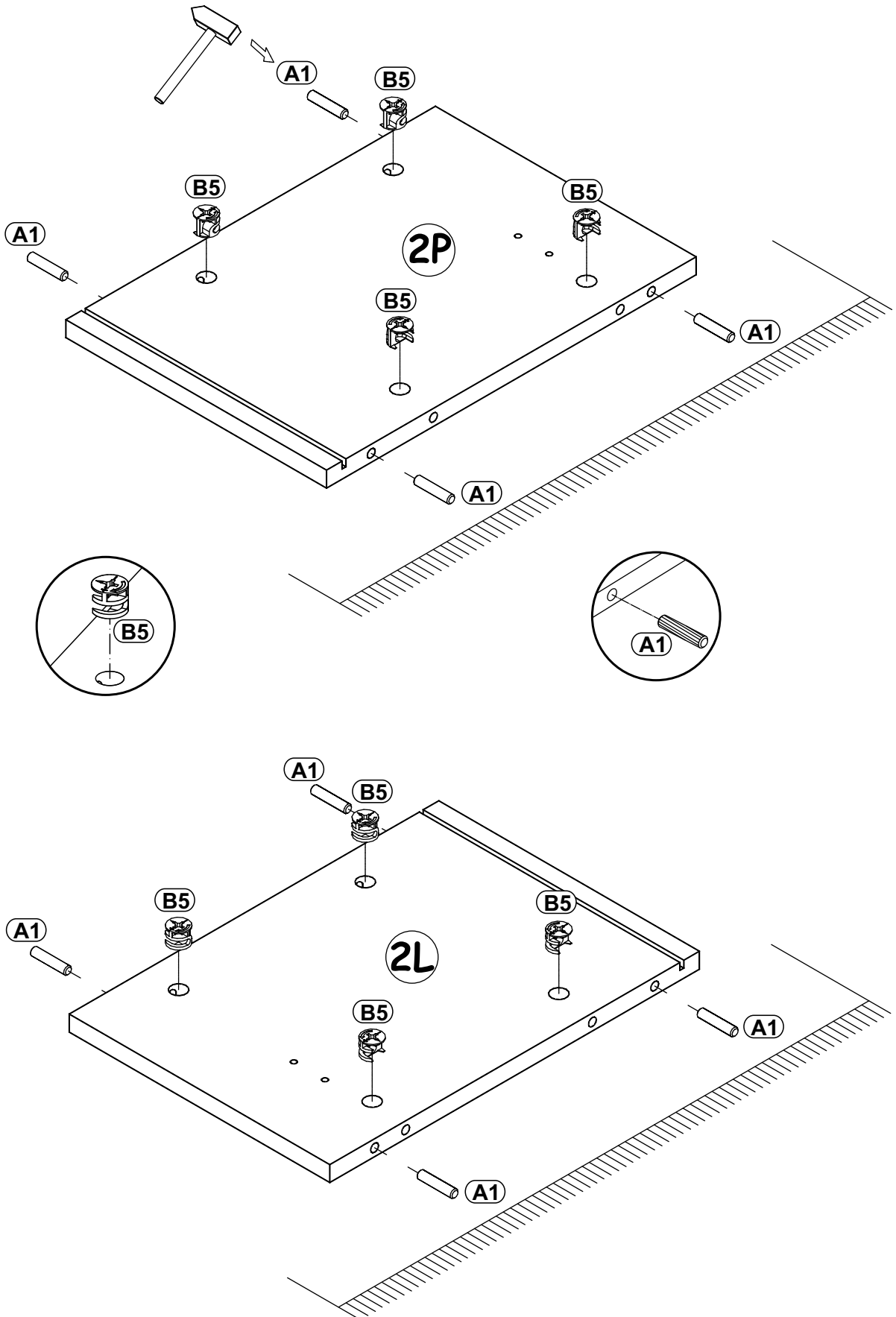
A1 x16  ø8x36	B4 x16 	B5 x16  Ø15x12	G5 x16 	I11 x6  Ø45, h=15	UP11 x6  UPØ4x20
E21 x3  Ø35 H=0	E2 x3  H=0	D10 x14  USØ3,5x13	G21 x2 	D7 x6  USØ3x16	OD2 x1 
S1 x10 	UP13 x2  UPØ3x16	KR1 x1 	L1 x1 	G2 x1 	



# QUILL TYP 31

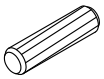
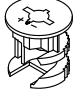
1

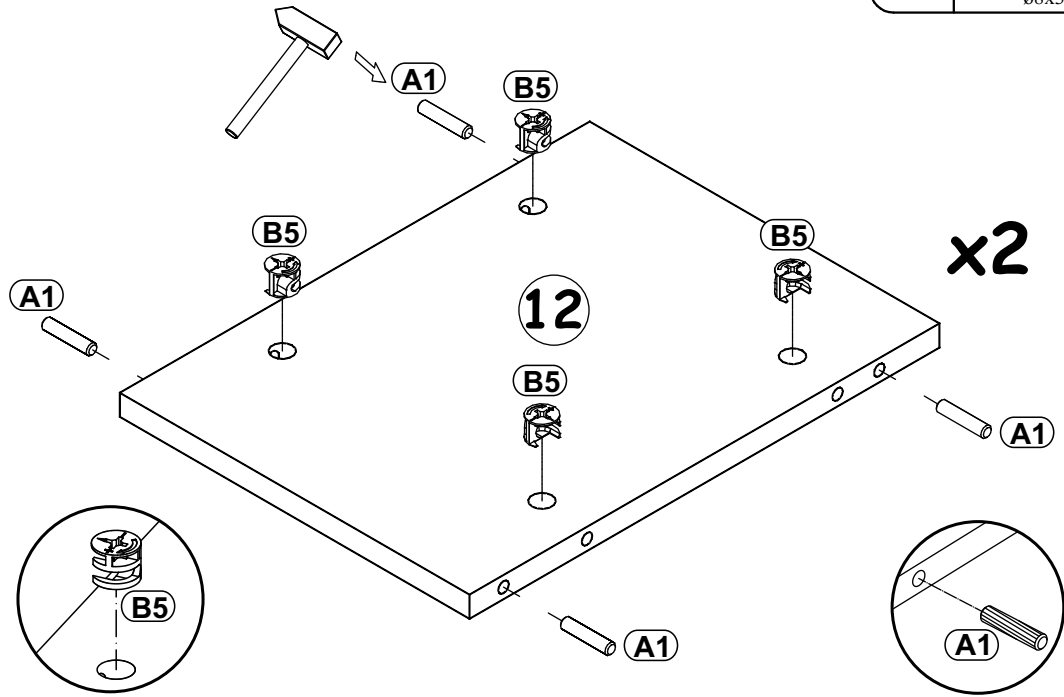
A1	 ø8x36	B5	 Ø15x12
x8		x8	



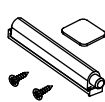
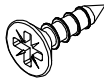
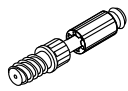
QUILL TYP 31

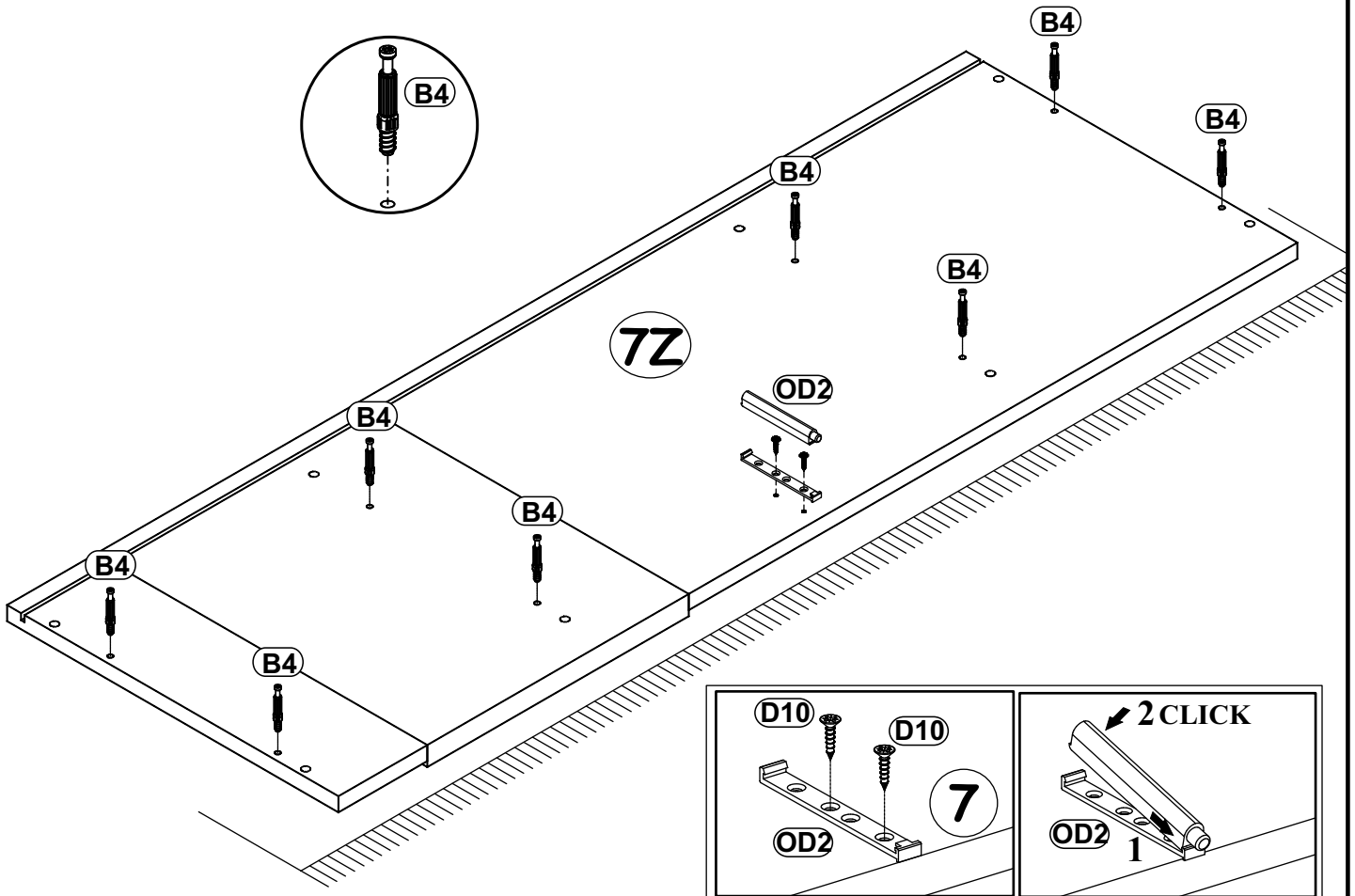
2

A1		B5	
x8	ø8x36	x8	Ø15x12



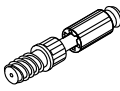
3

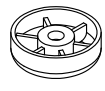
OD2		D10		B4	
x1		x2	USØ3,5x13	x8	

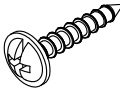


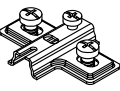
QUILL TYP 31

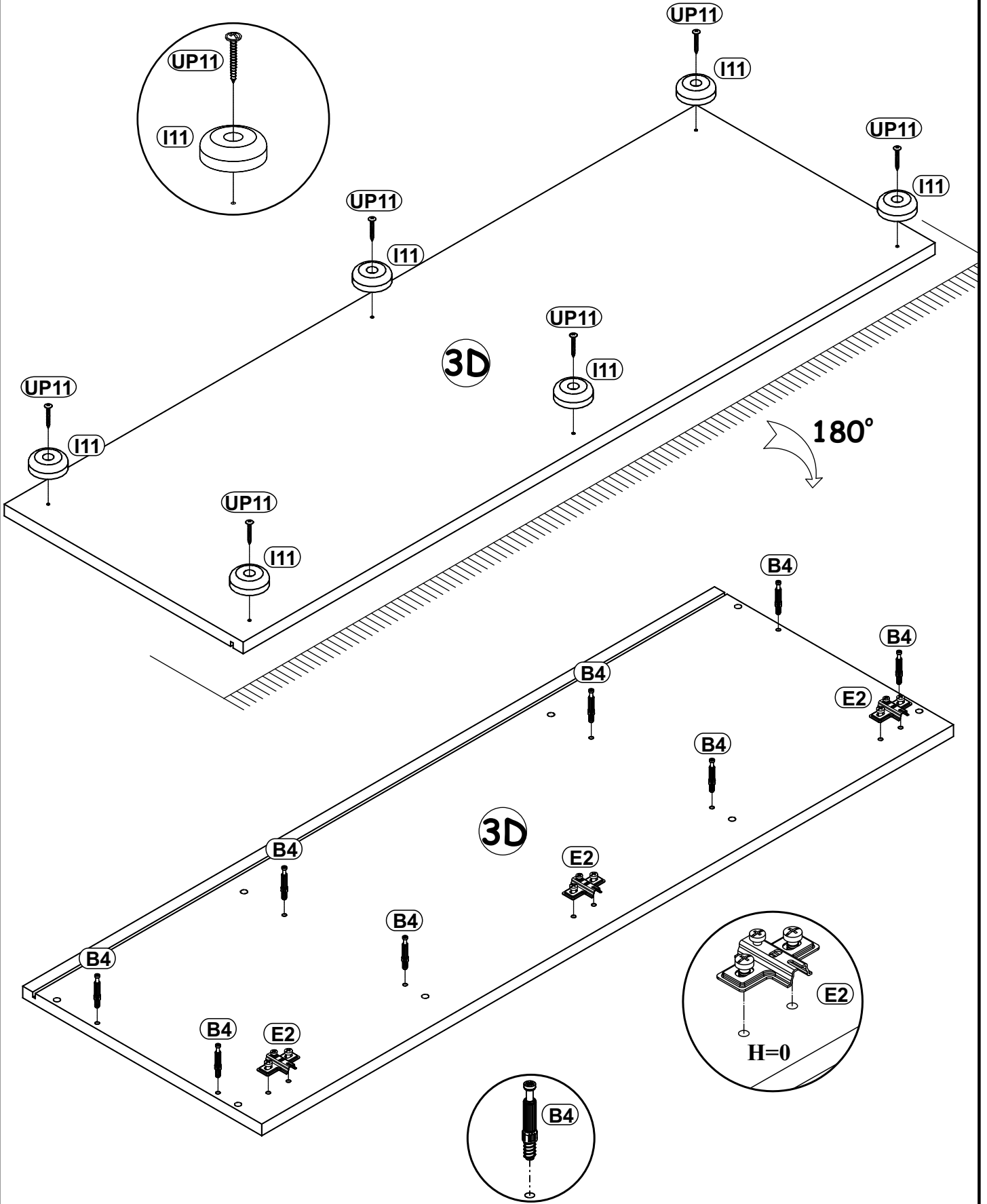
4

B4	
x8	

I11	
x6	Ø45, h=15


UP11	
x6	UPØ4x20

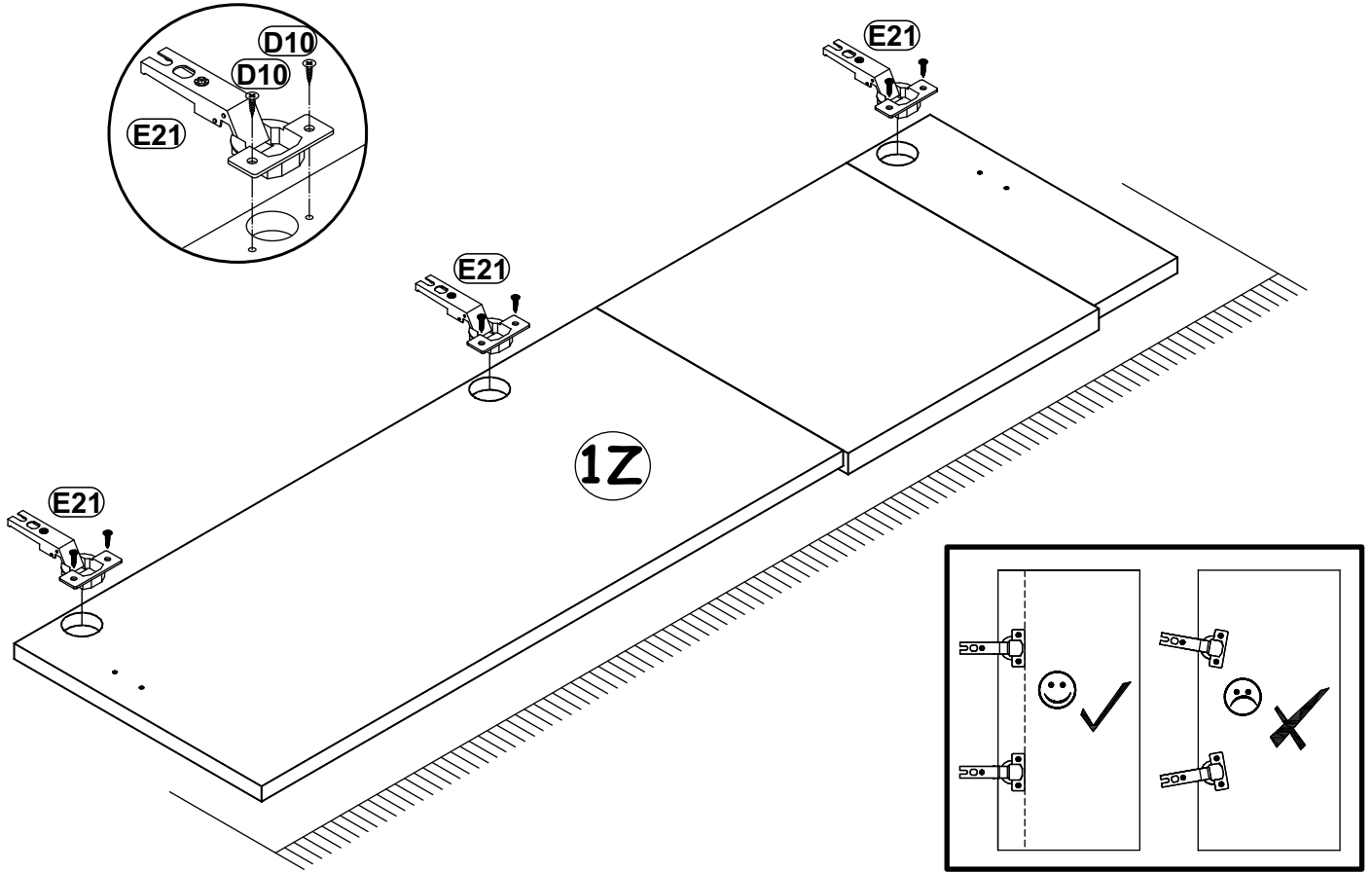
E2	
x3	H=0




# QUILL TYP 31

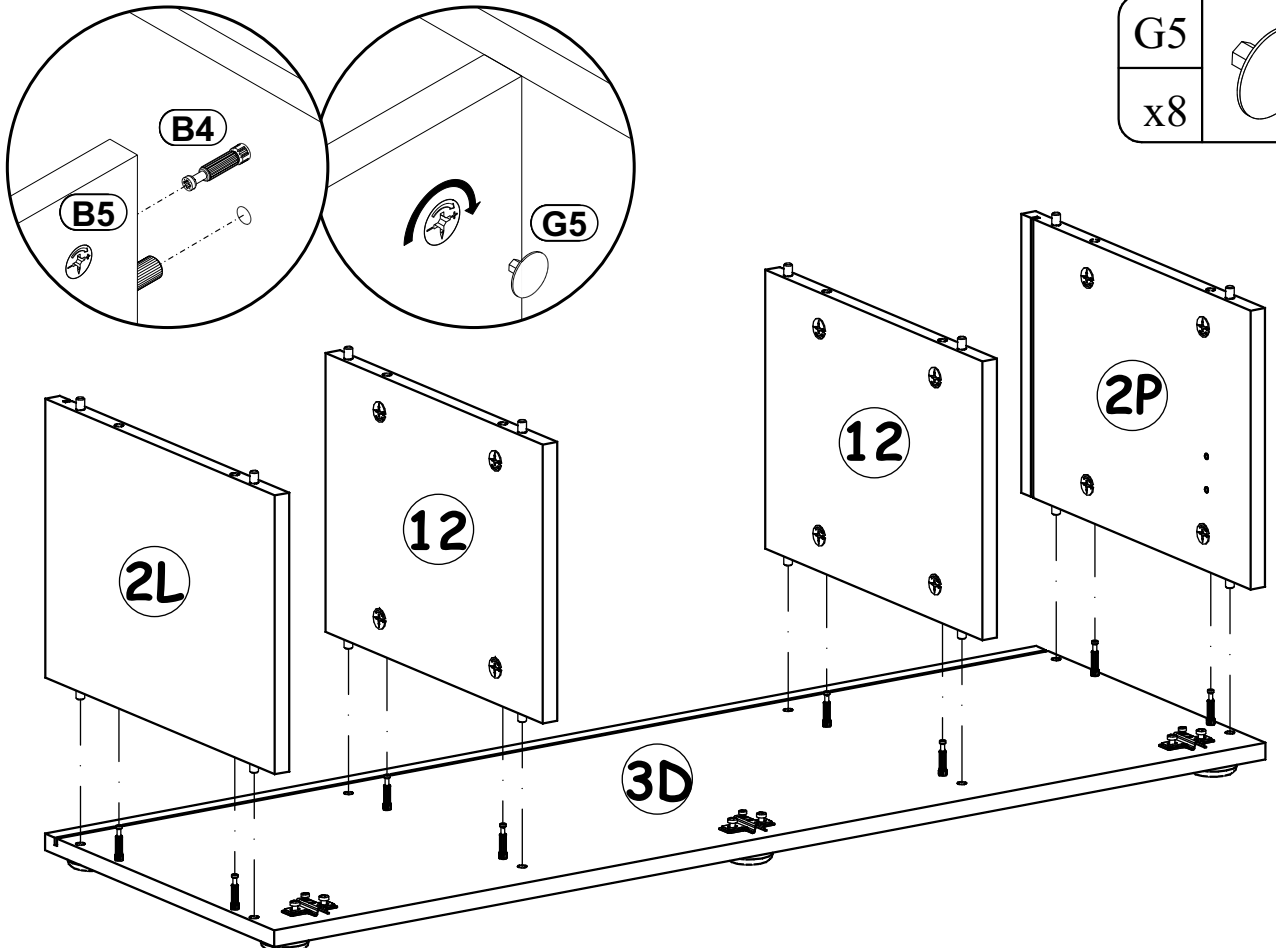
## 5

E21	Ø35	D10	 USØ3,5x13
x3	H=0	x6	



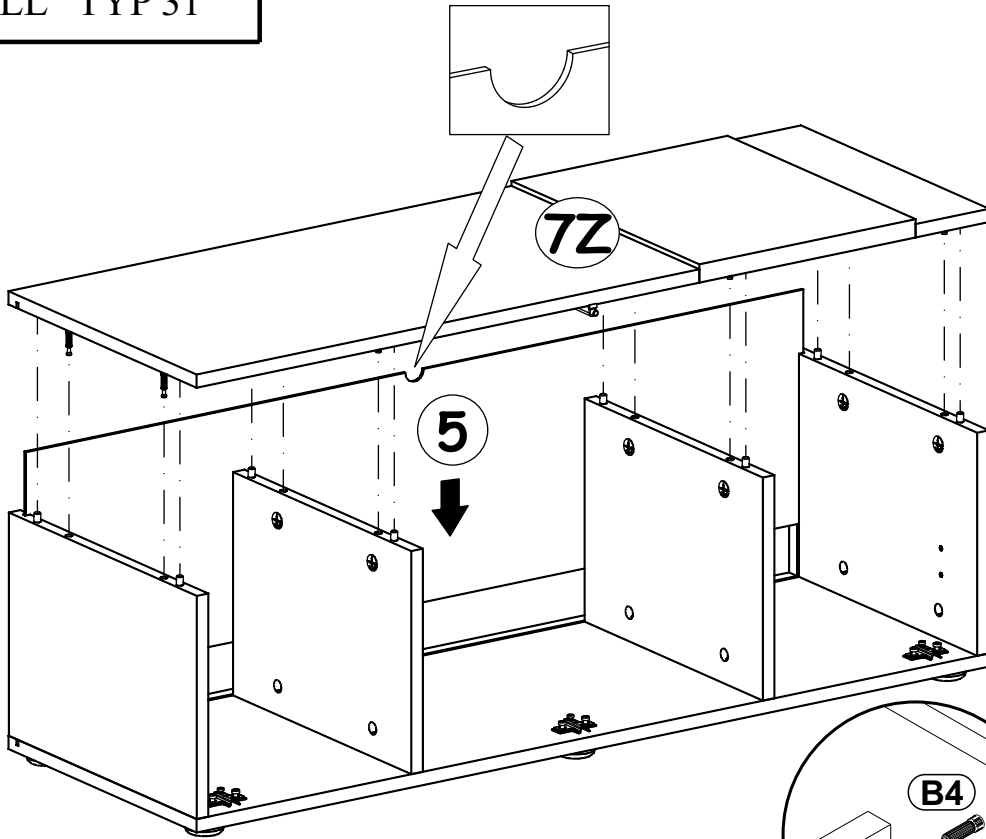
## 6

G5	
x8	



QUILL TYP 31

7



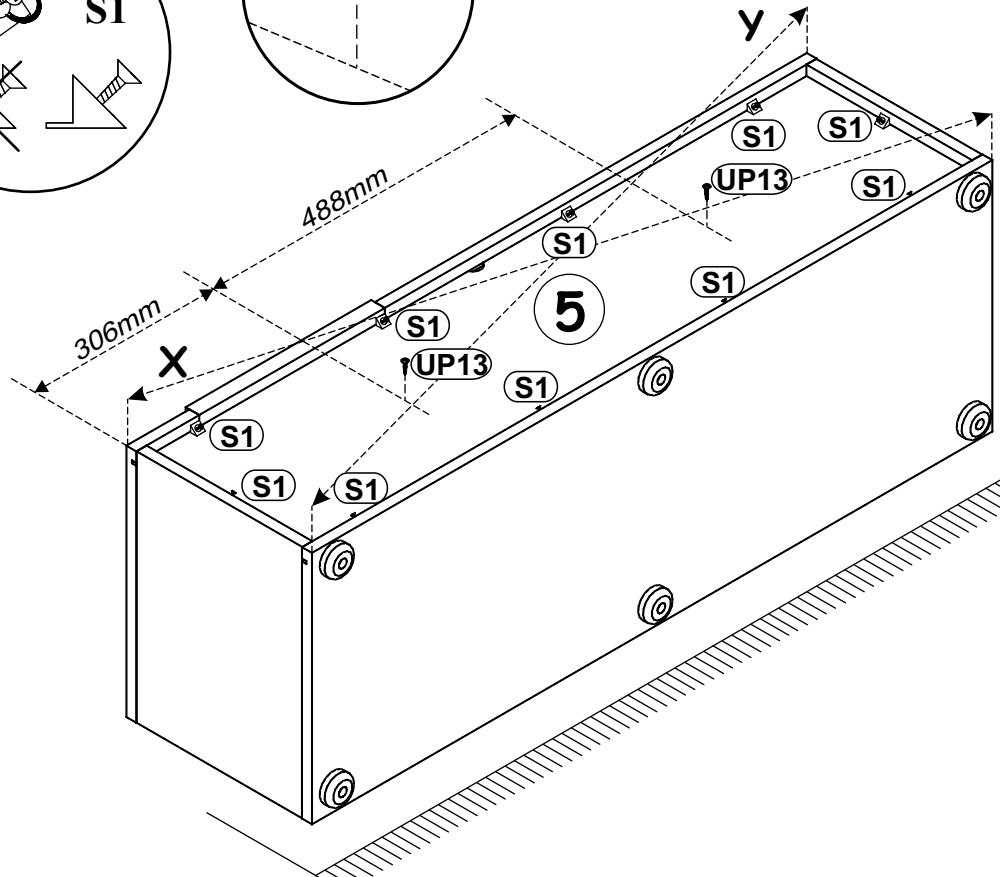
G5	
x8	

8

S1	
x10	

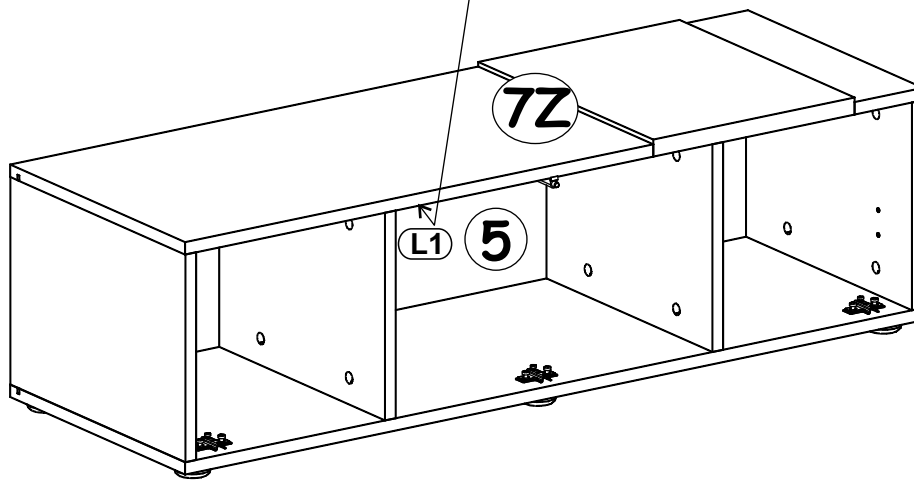
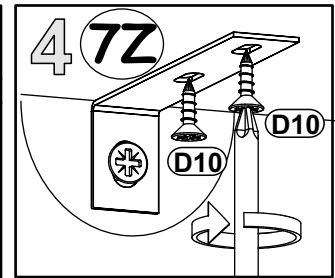
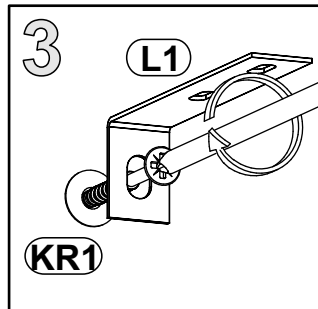
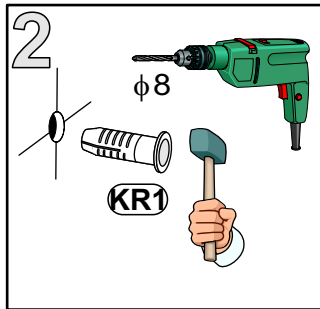
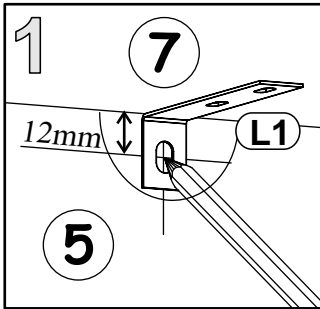
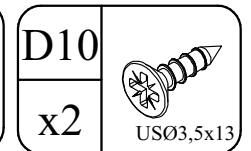
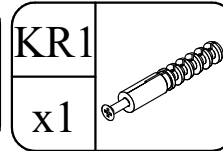
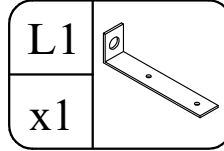
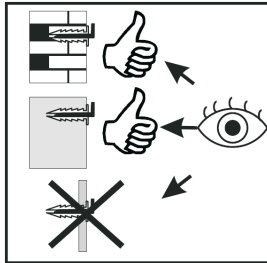
UP13	
x2	UPØ3x16

X=Y  $\uparrow$  90°

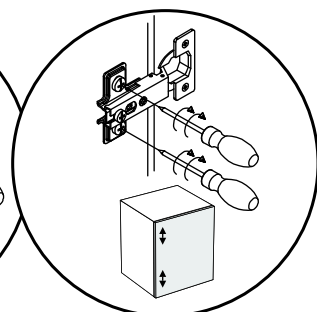
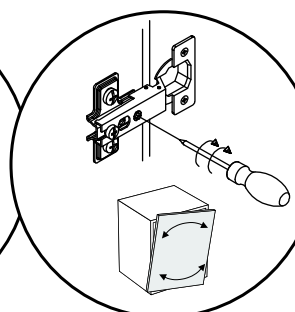
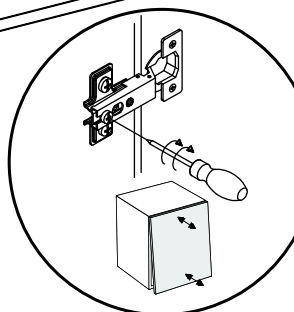
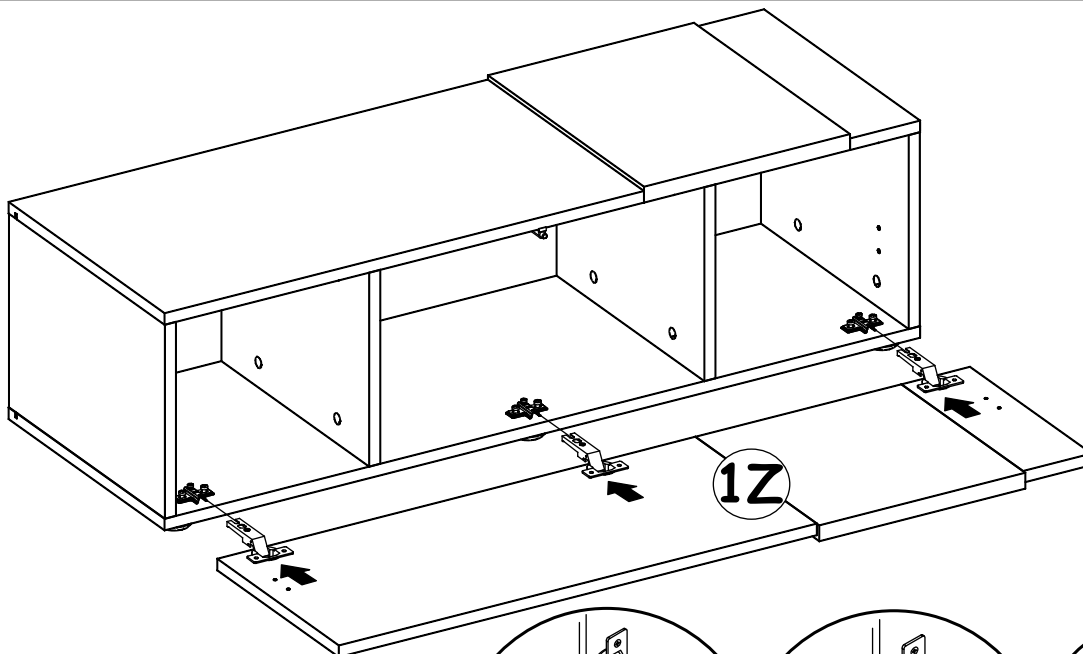


QUILL TYP 31

9



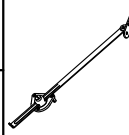
10

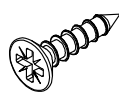


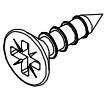


QUILL TYP 31

11

G21	
x2	

D7	
x6	USØ3x16

D10	
X4	USØ3,5x13

