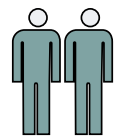
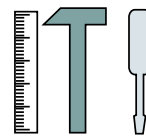
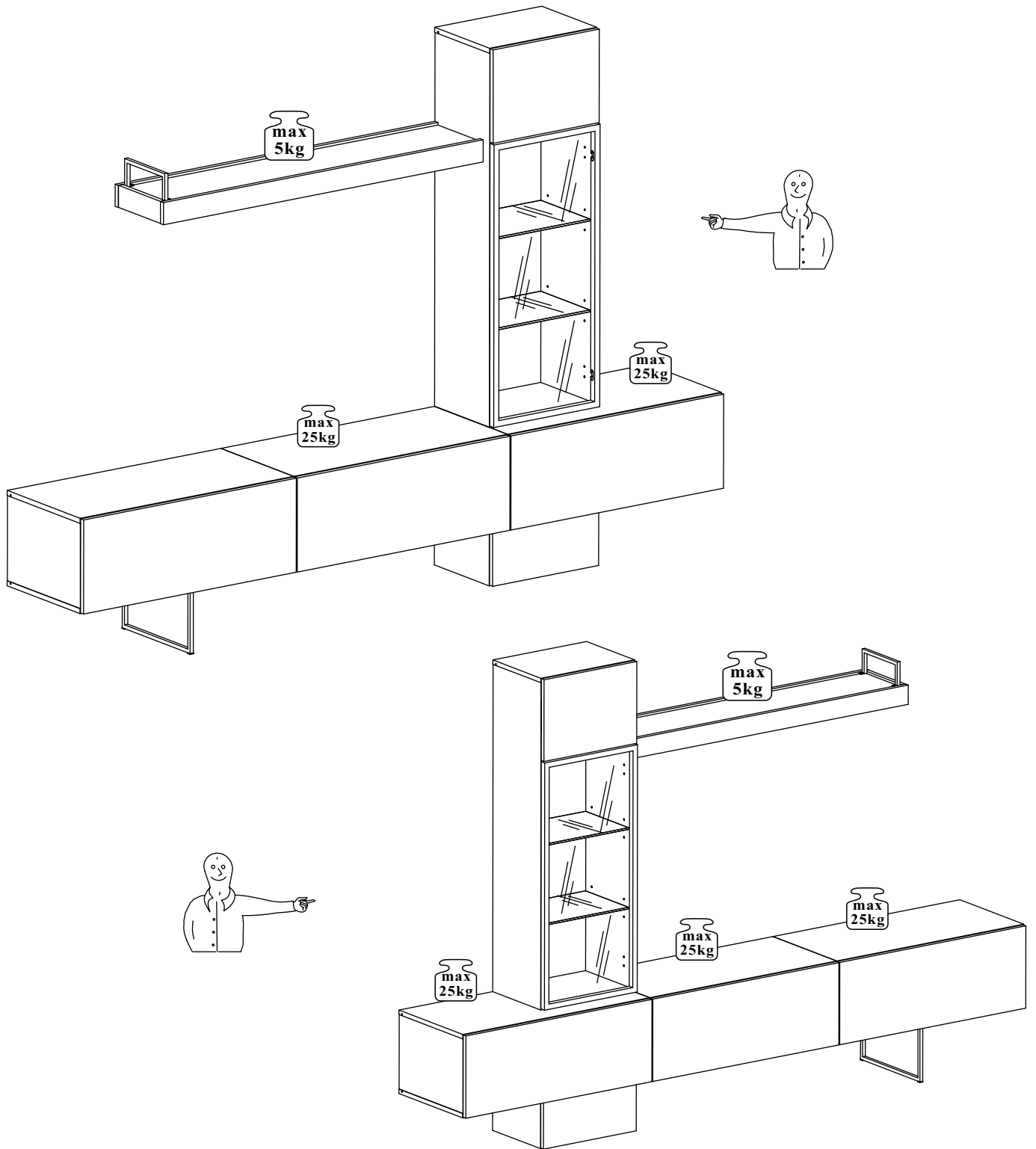
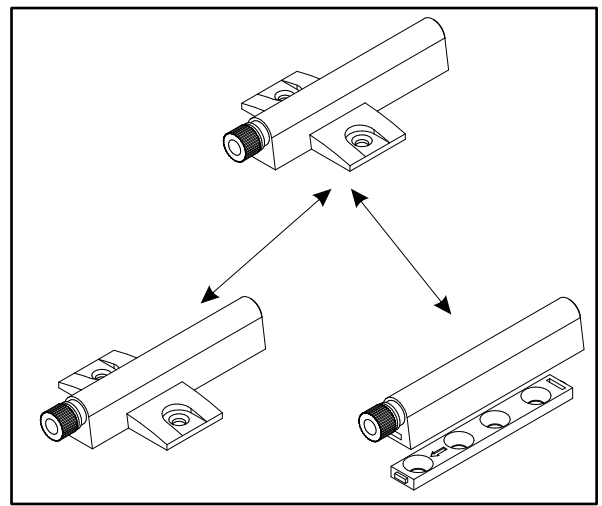
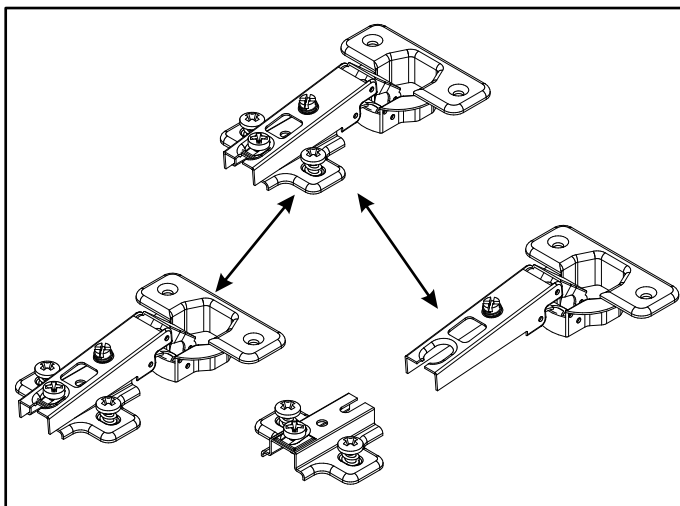
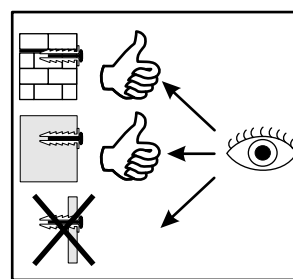
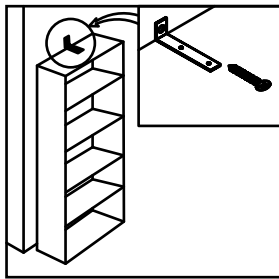
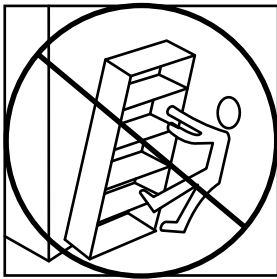
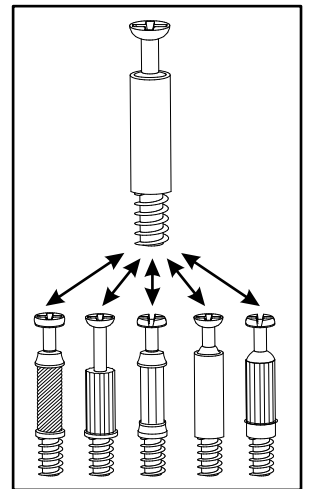
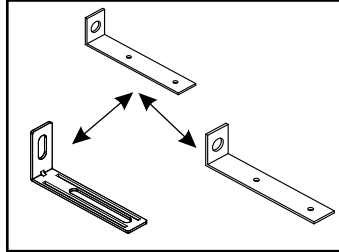
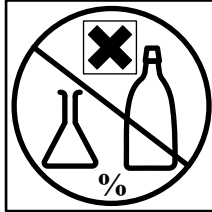
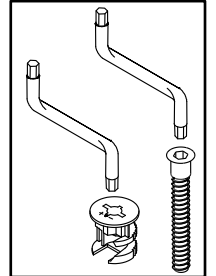
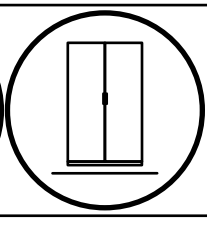
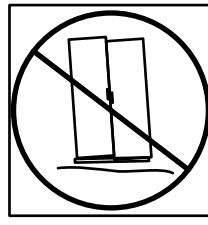
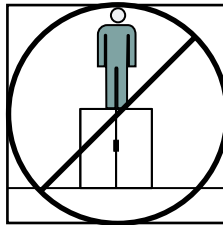
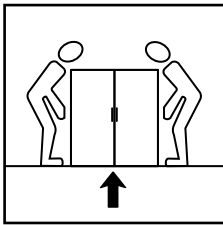
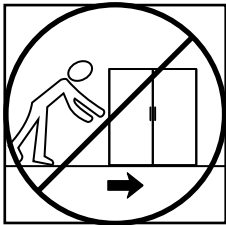
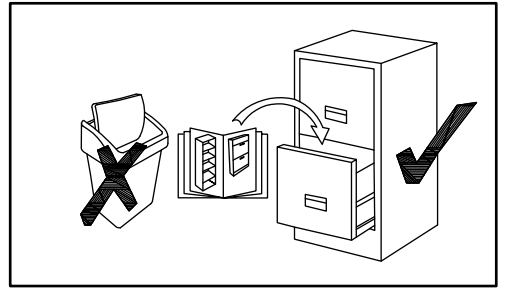
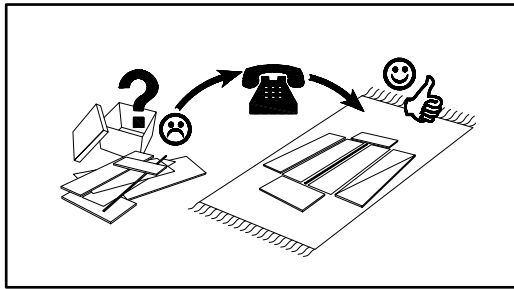
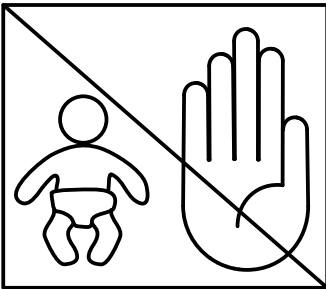
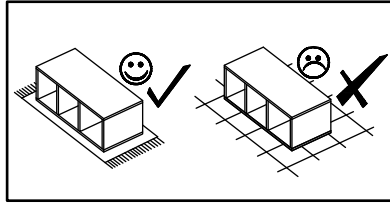
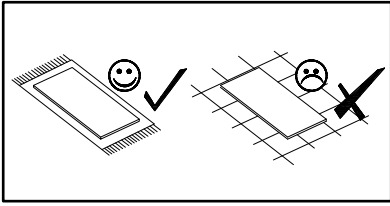


RISE



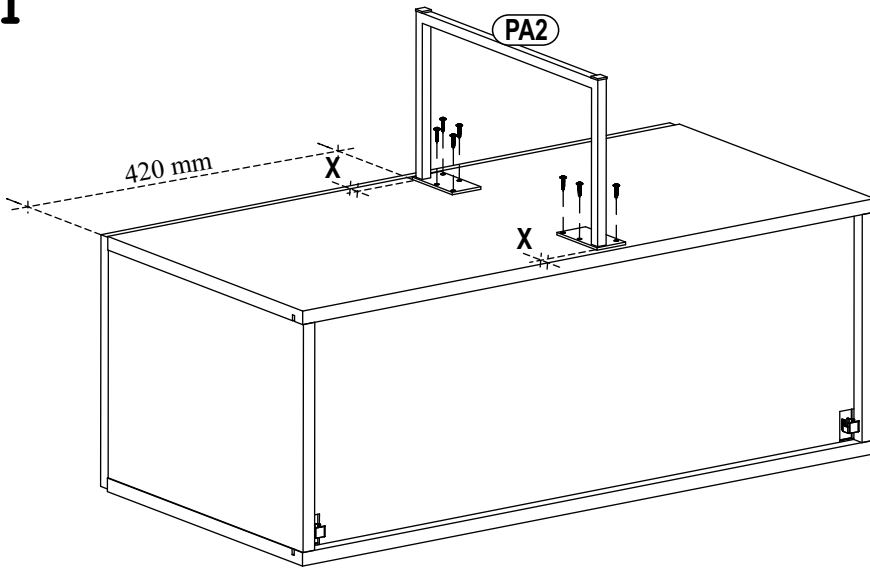
45 min


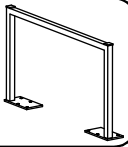
RISE

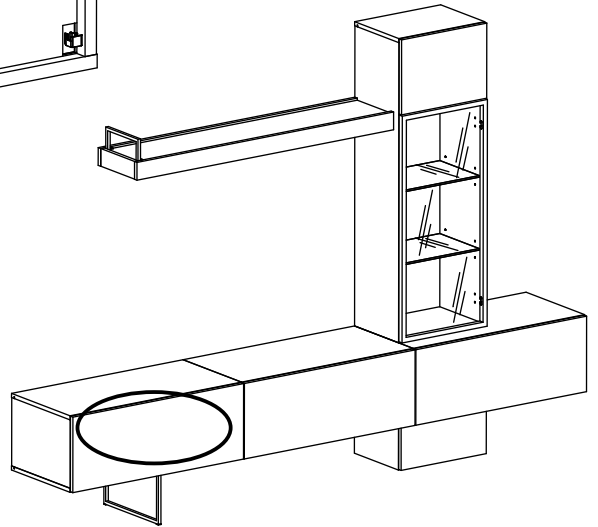
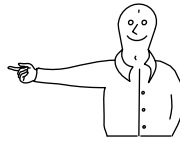
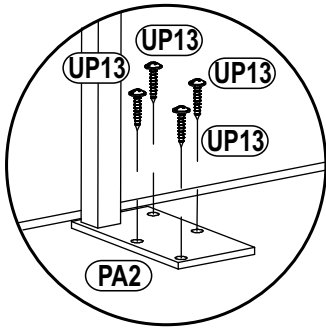


RISE

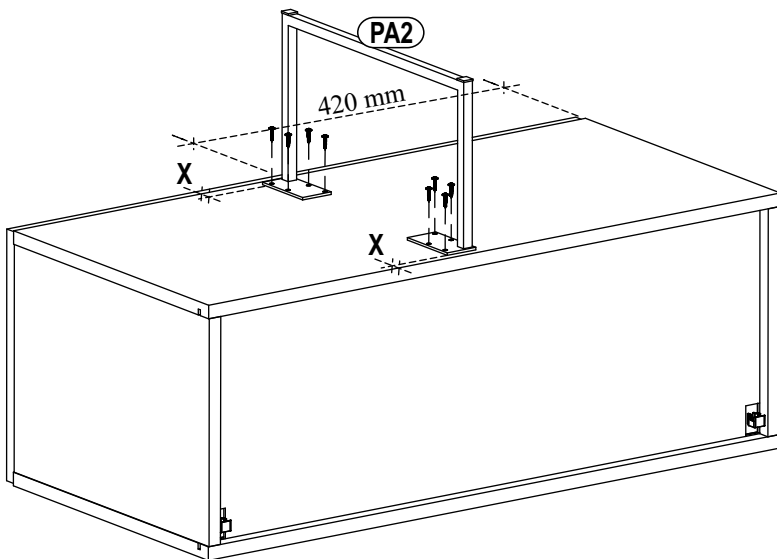
1


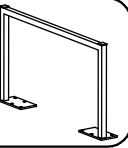


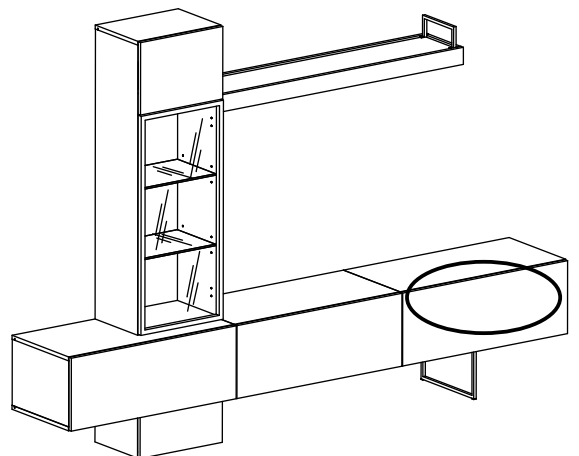
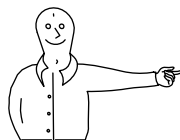
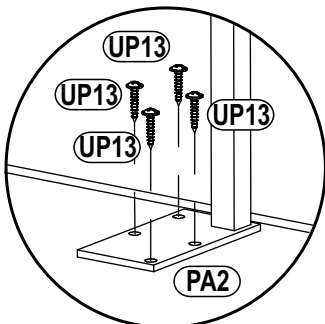
UP13	 UPØ3x16	PA2	
x8		x1	



2

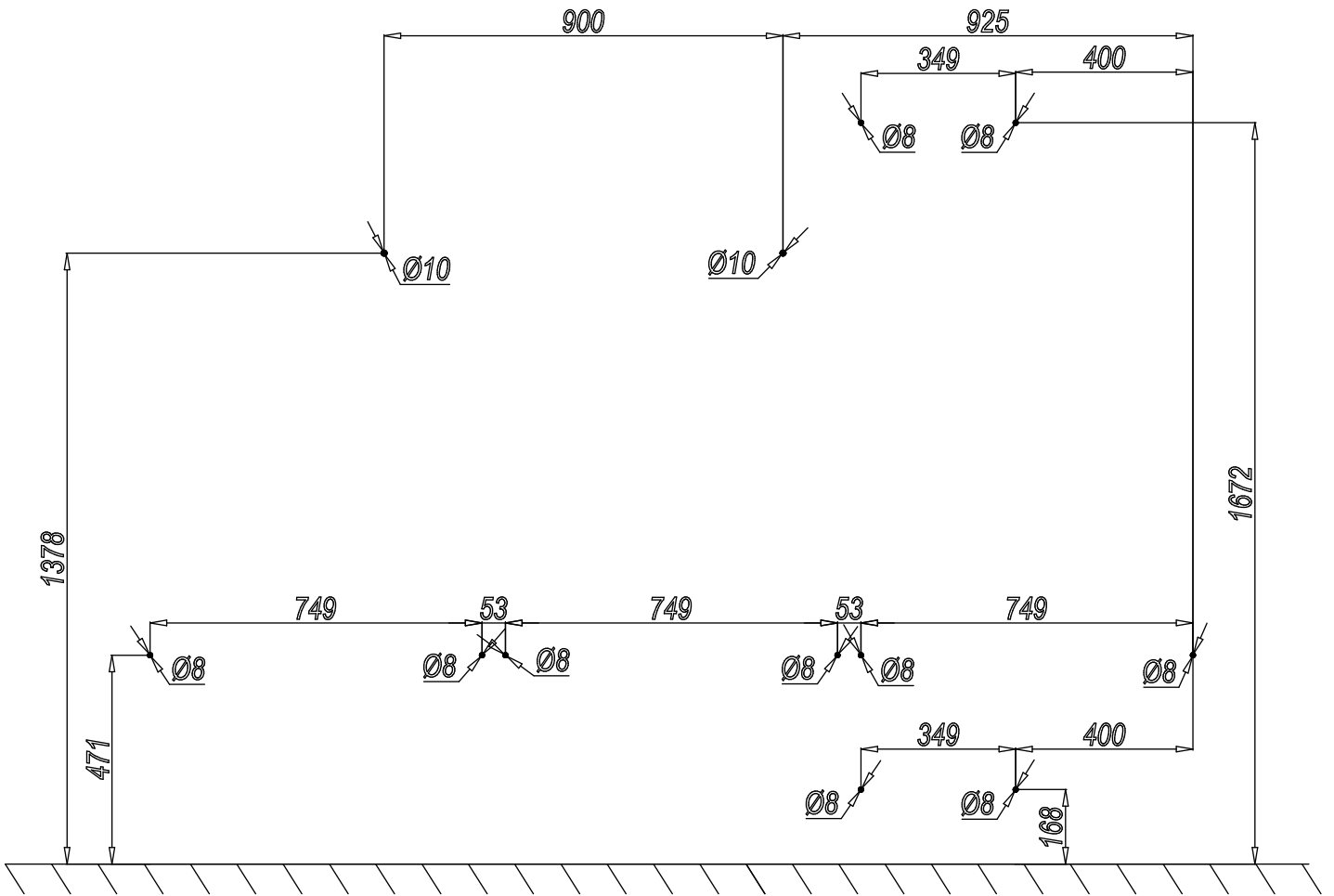
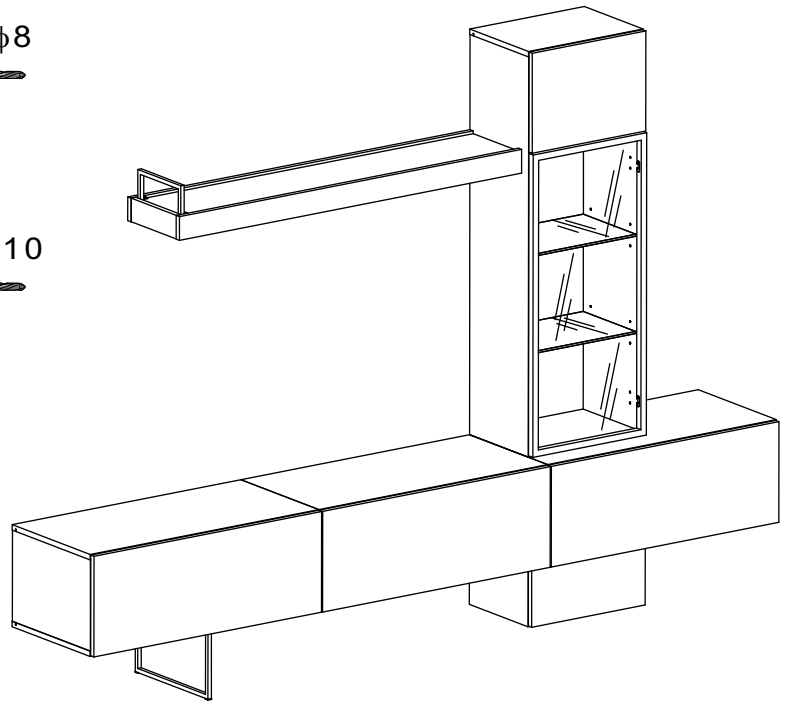
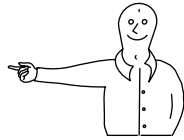
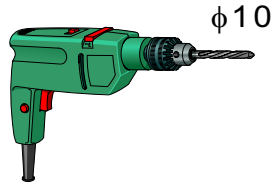
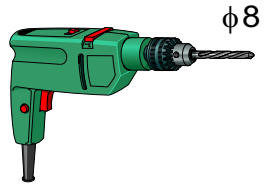
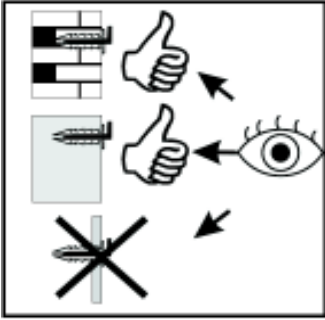


UP13	 UPØ3x16	PA2	
x8		x1	




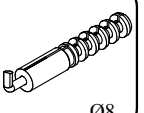
RISE

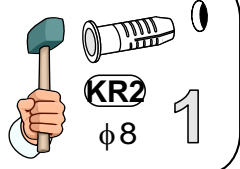
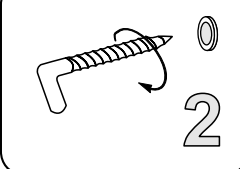
3




RISE

4

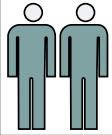
KR3		KR2	
x2	Ø10	x10	Ø8

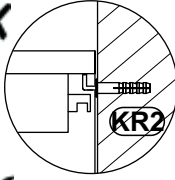
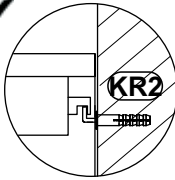
 KR2 φ8 1	 2
---	--

⊗ X

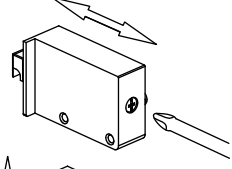
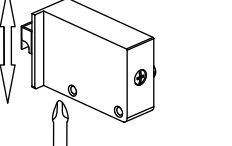


☺ ✓

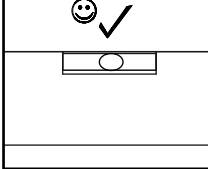


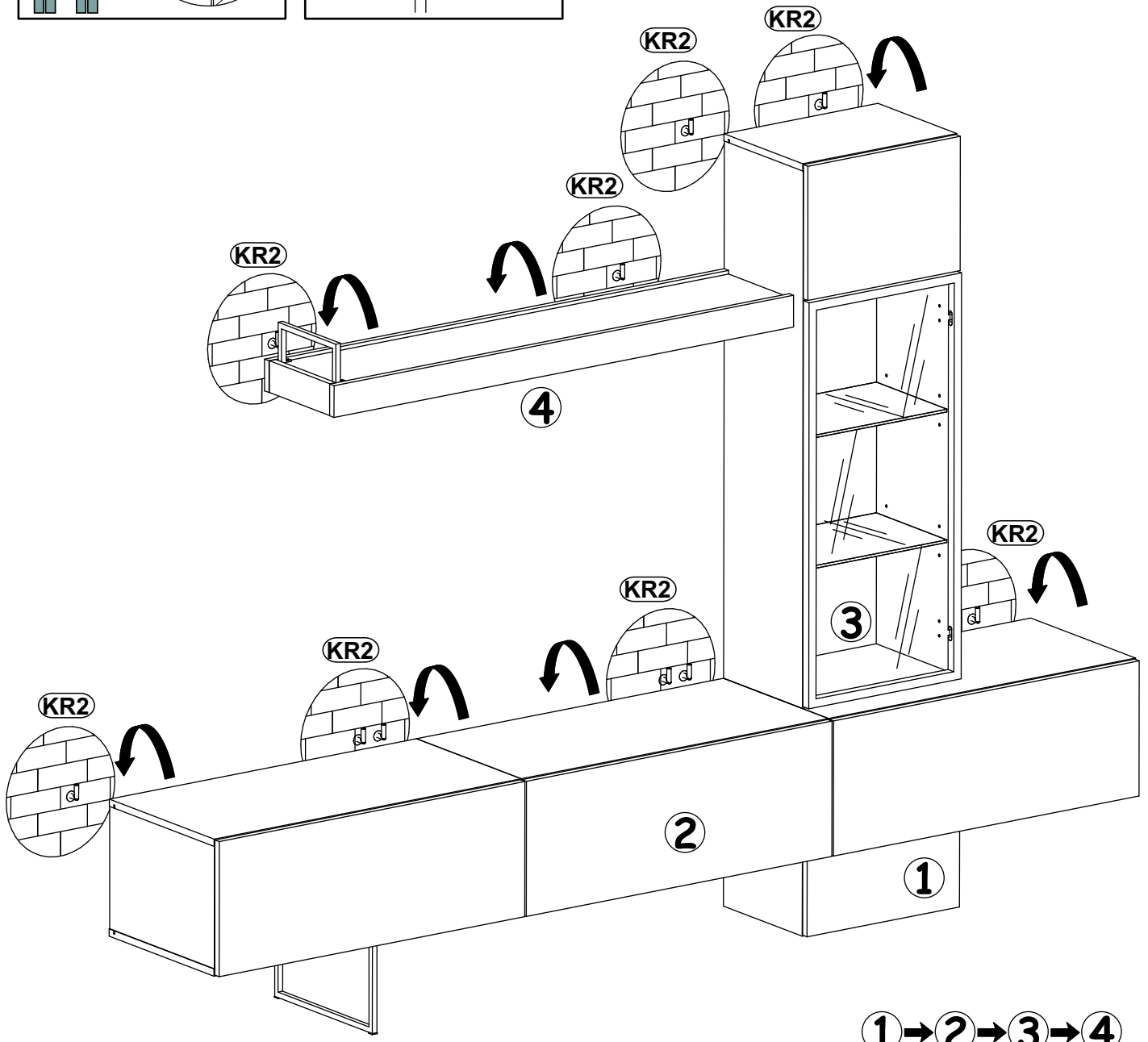
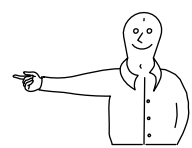
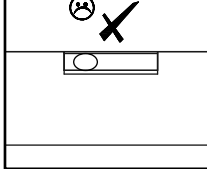
ZXL/P

☺ ✓



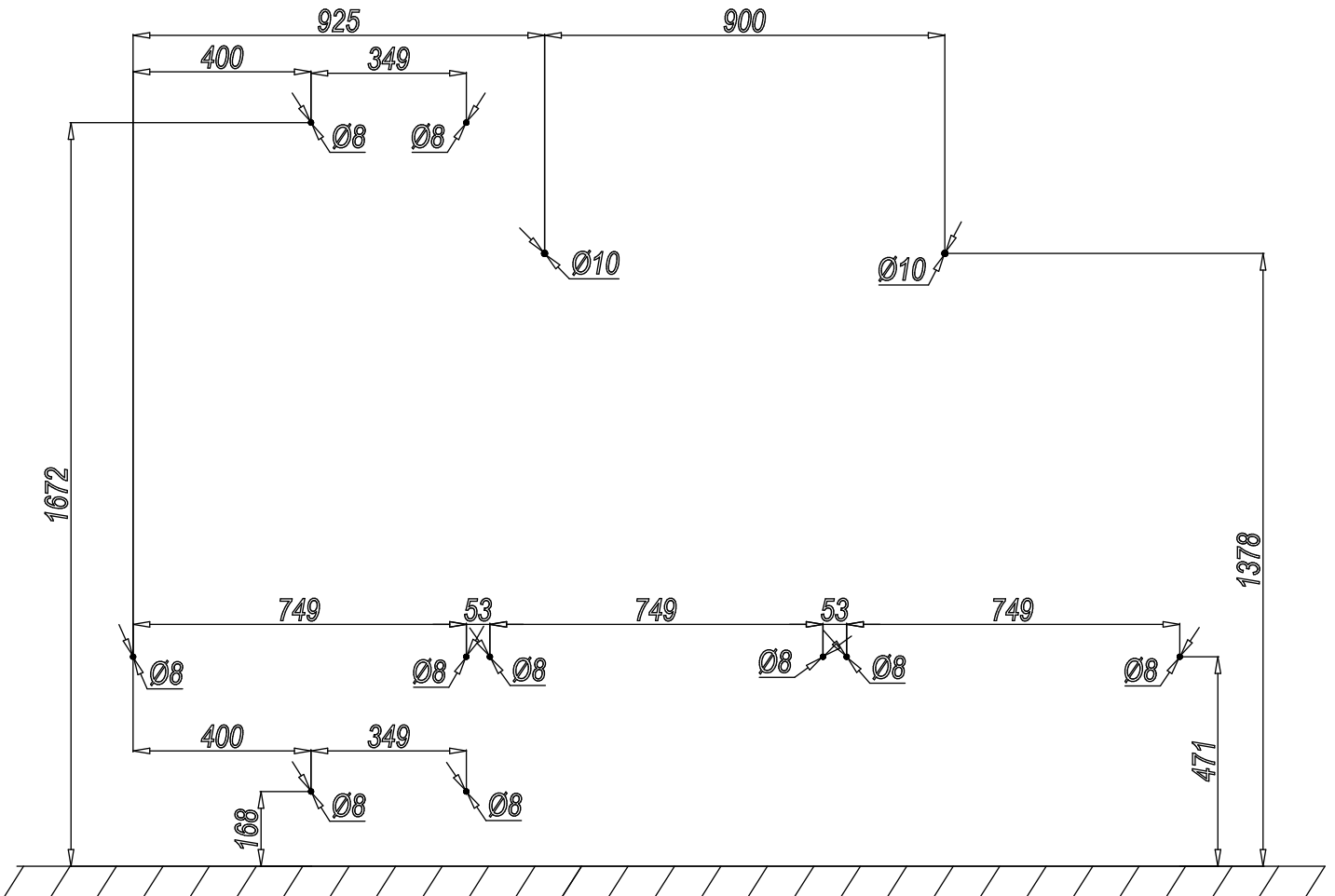
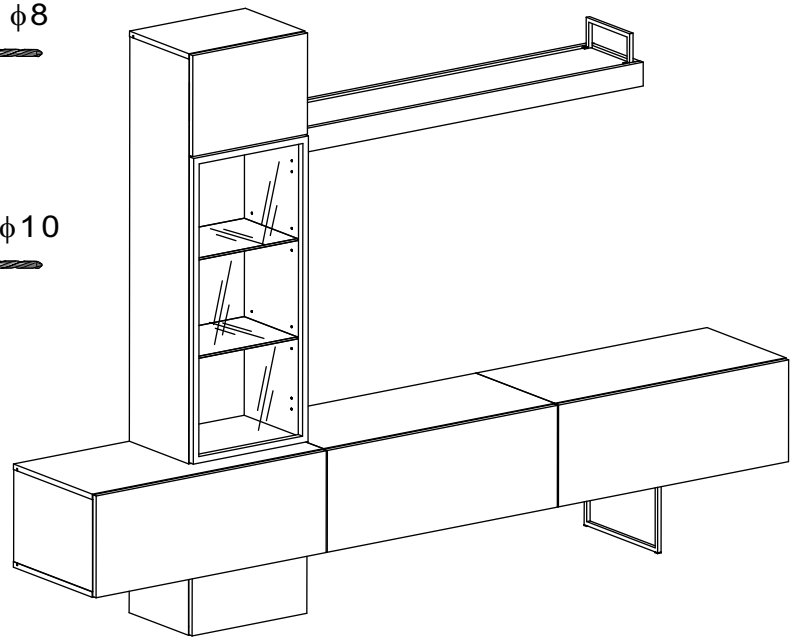
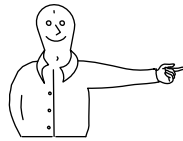
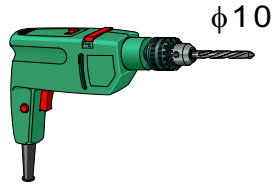
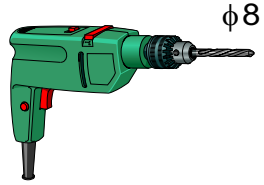
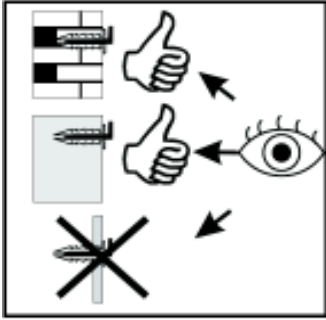
⊗ X



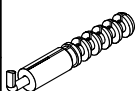
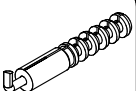
① → ② → ③ → ④

RISE

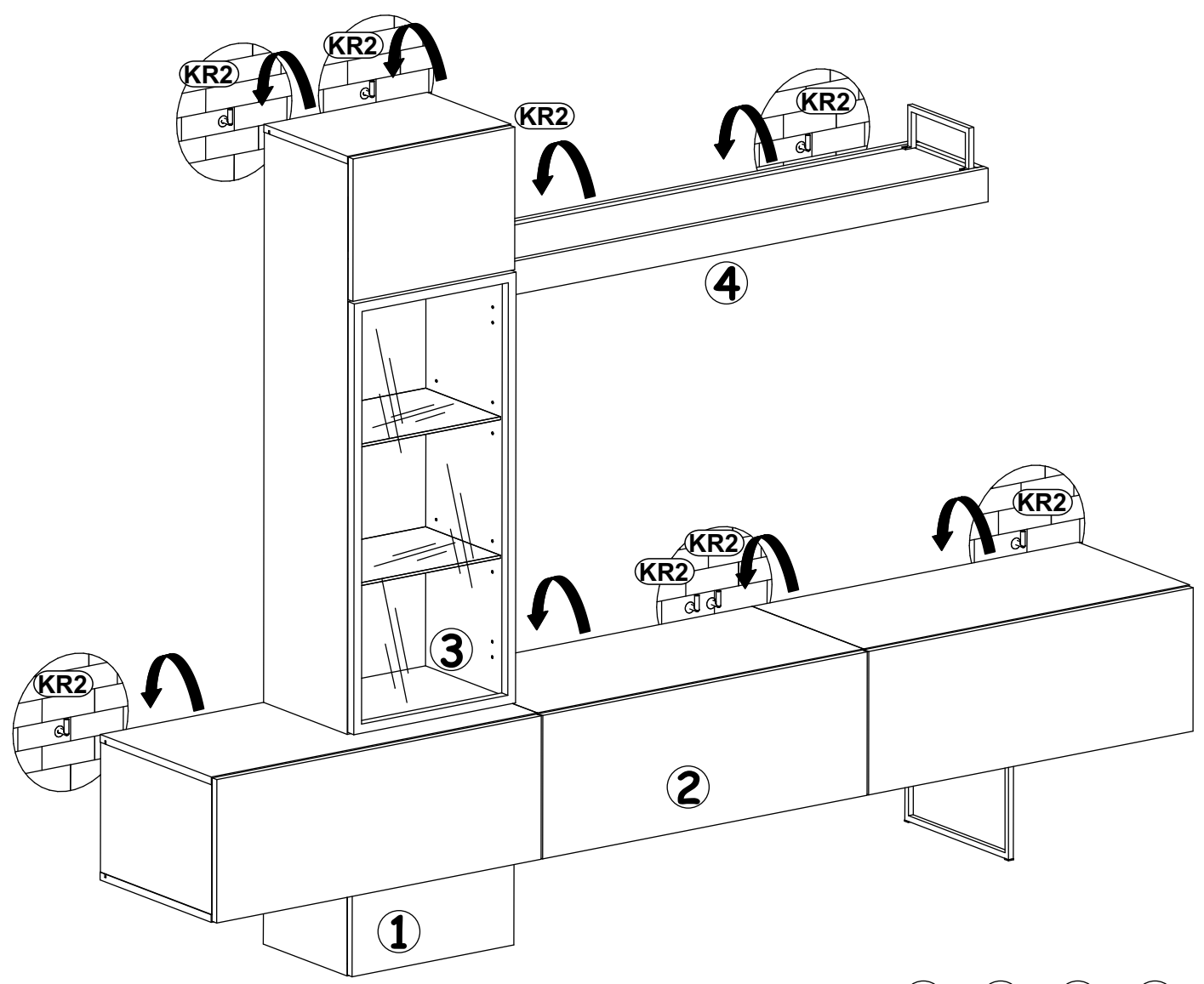
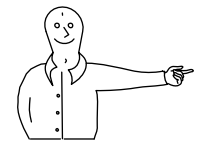
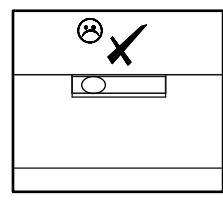
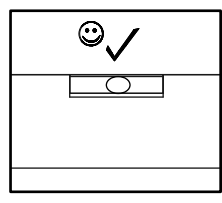
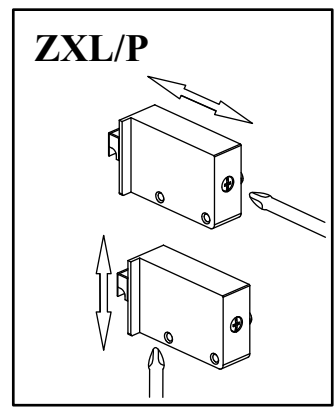
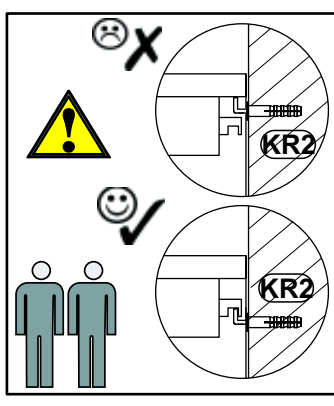
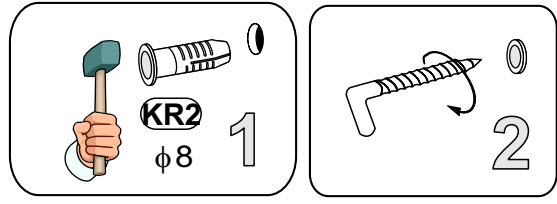
5



RISE

KR3		KR2	
x2	Ø10	x10	Ø8

6



1 → 2 → 3 → 4