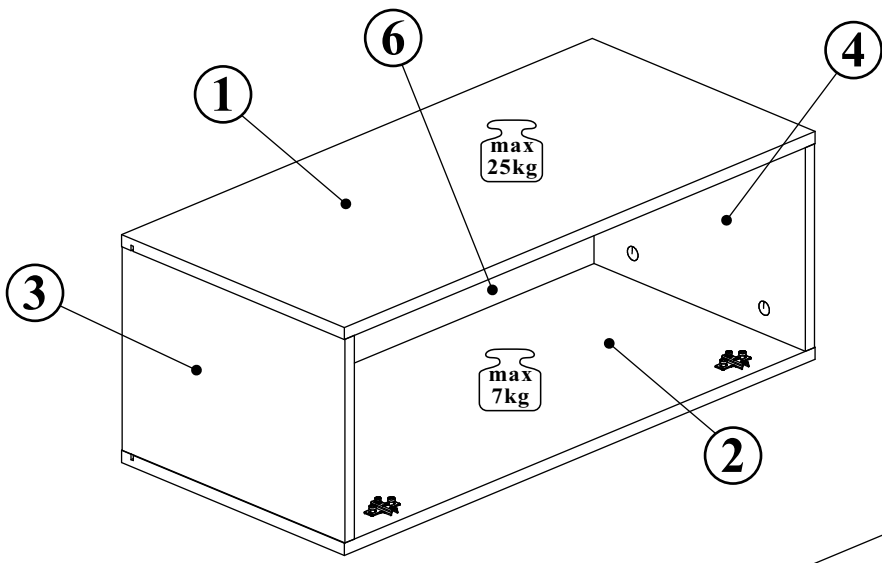
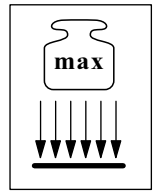
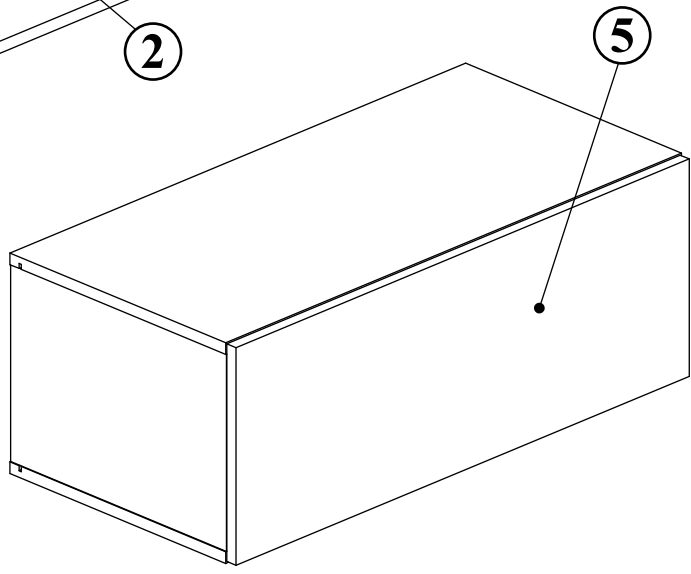


RISE - 30

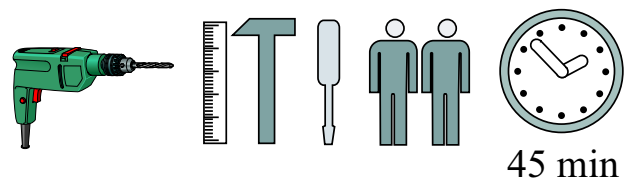


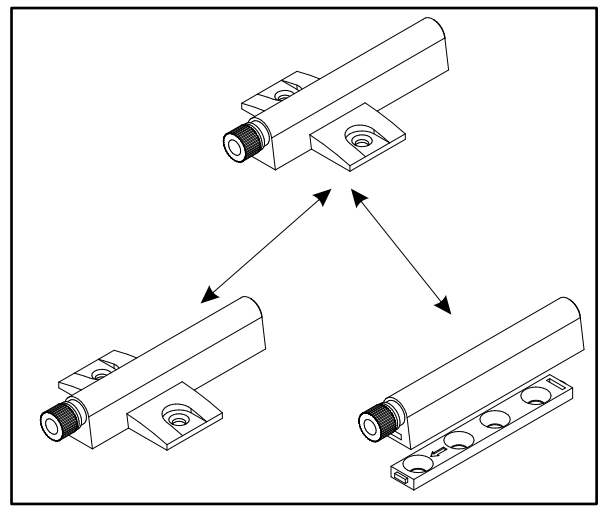
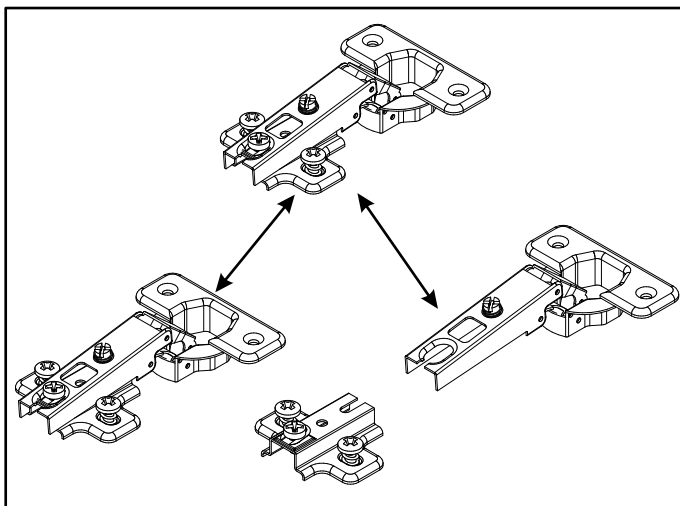
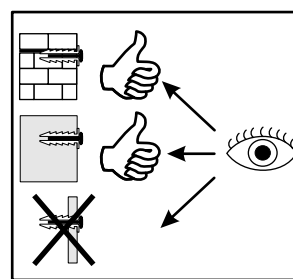
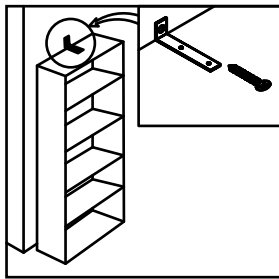
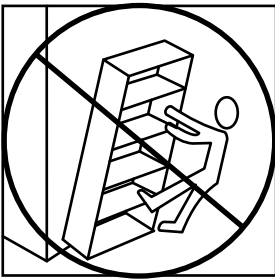
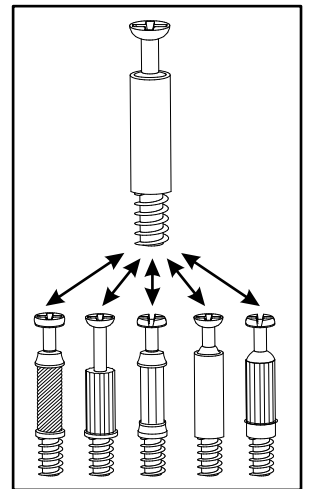
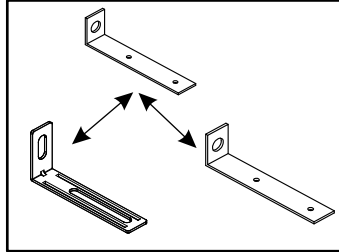
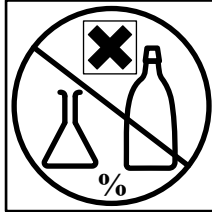
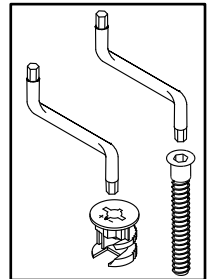
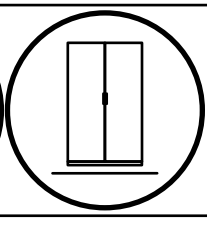
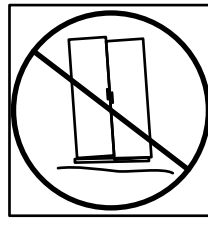
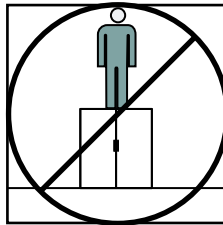
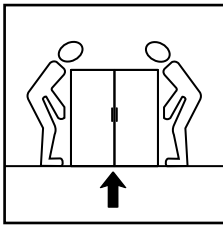
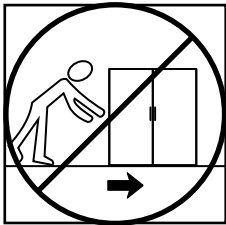
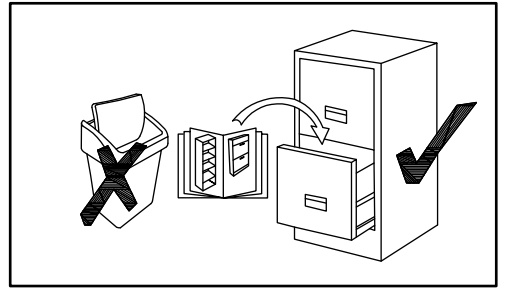
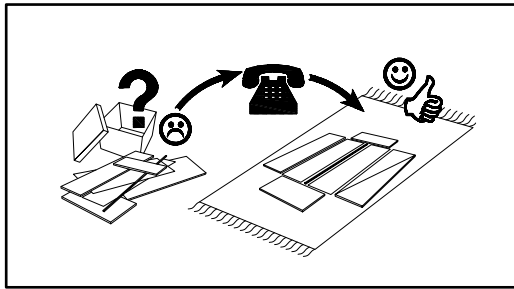
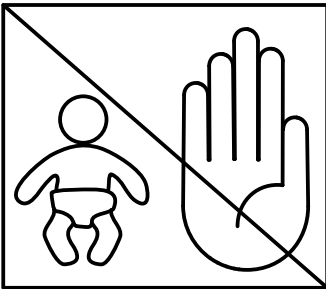
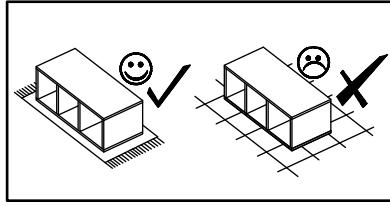
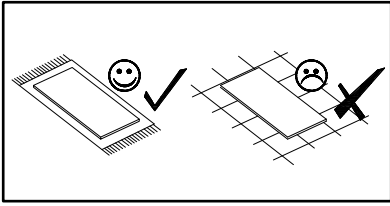
x3



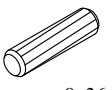
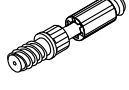


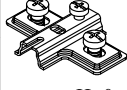
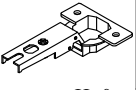


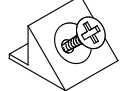
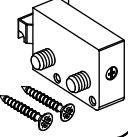
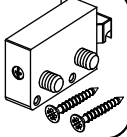

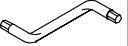


→ 802
 ↑ 302
 ↗ 396

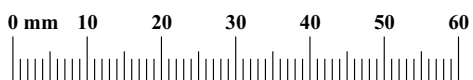
NO	Dim.			Col.-No	Qty
1	802	380	16	2/3	3
2	802	380	16	2/3	3
3	270	380	16	2/3	3
4	270	380	16	2/3	3
5	798	298	16	1/3	3
6	780	282	3	1/3	3





RISE - 30

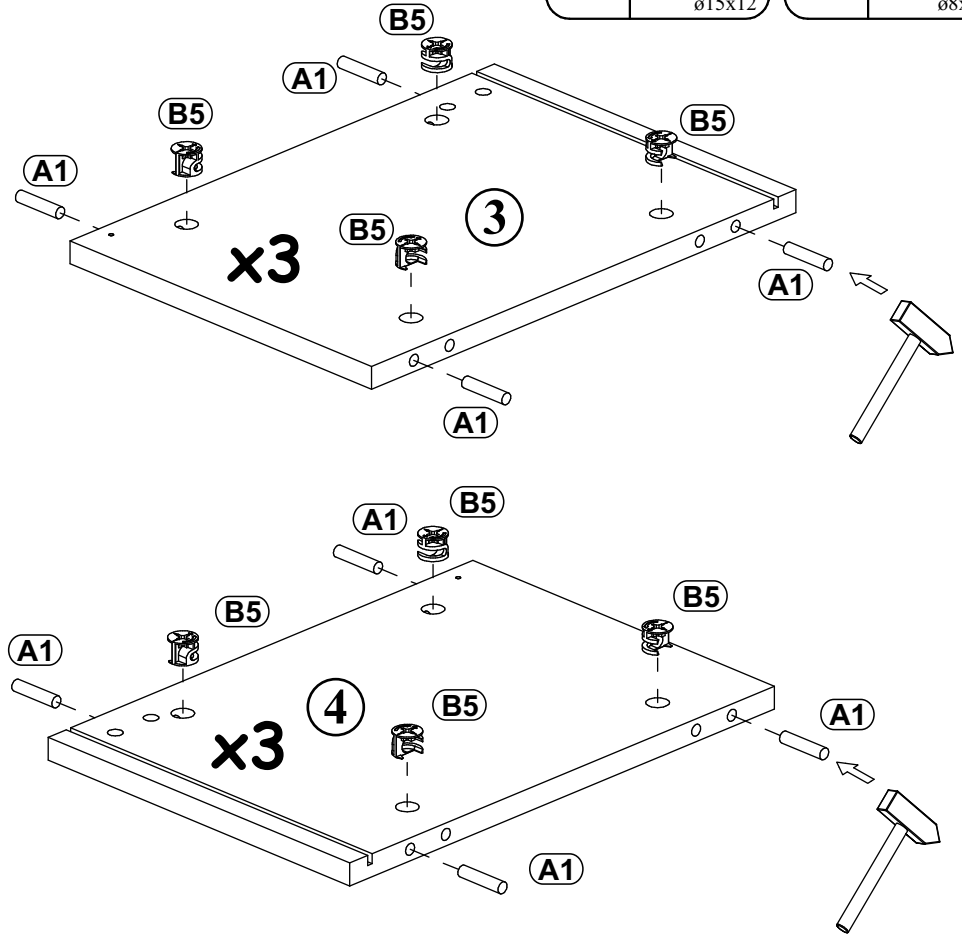
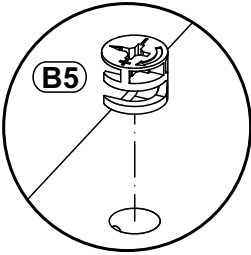
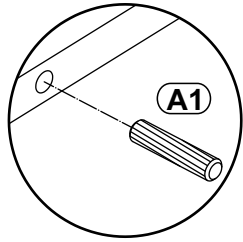
A1 x24  ø8x36	B4 x24 	B5 x24  ø15x12	G5 x24 	E2 x6  H=0	E21 x6  Ø35 H=0
T1 x3 	BO1 x3 	S1 x30 	ZXL x3 	ZXP x3 	D10 x18  USØ3,5x13
G2 x1 	KR2 x6  Ø8	UP13 x8  UPØ3x16			



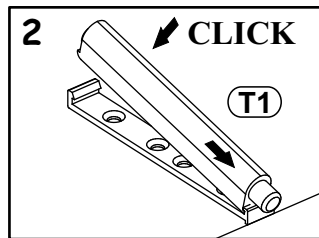
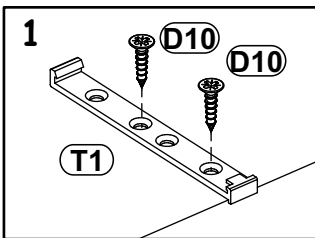
RISE - 30

1

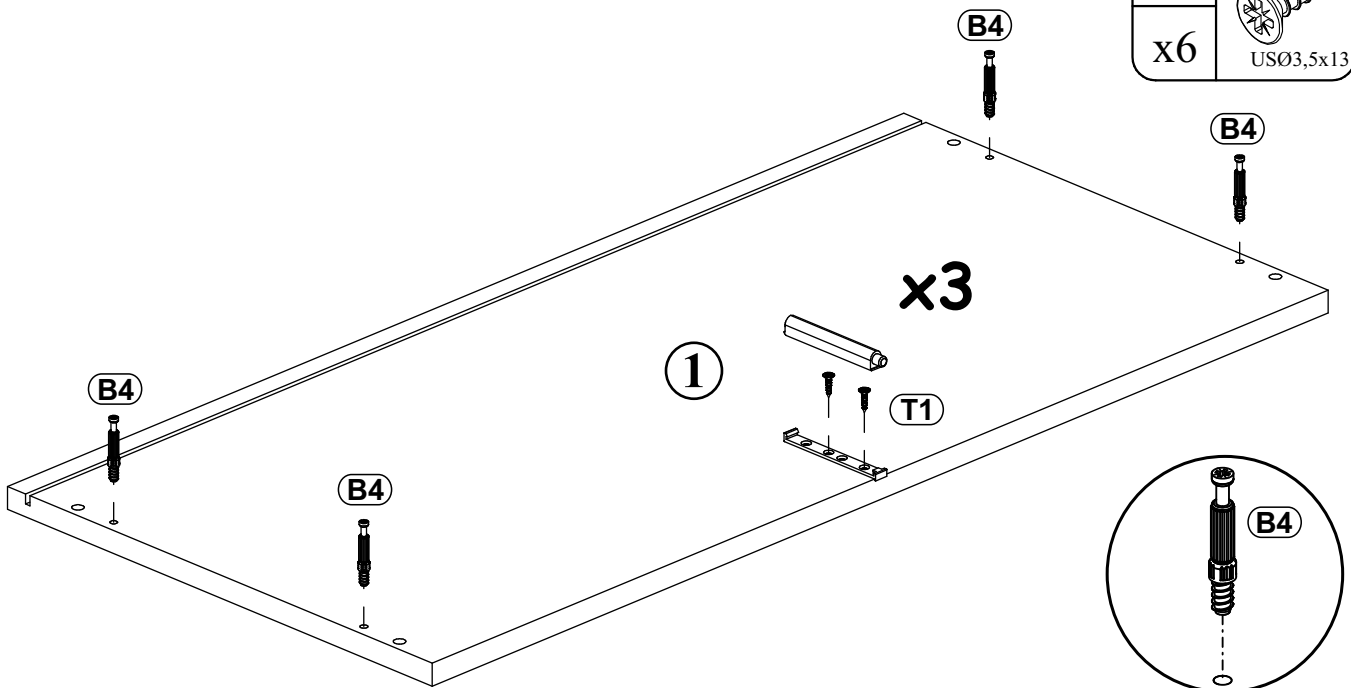
B5		A1	
x24	ø15x12	x24	ø8x36



2

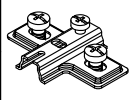
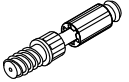


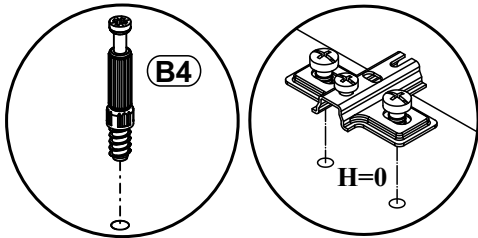
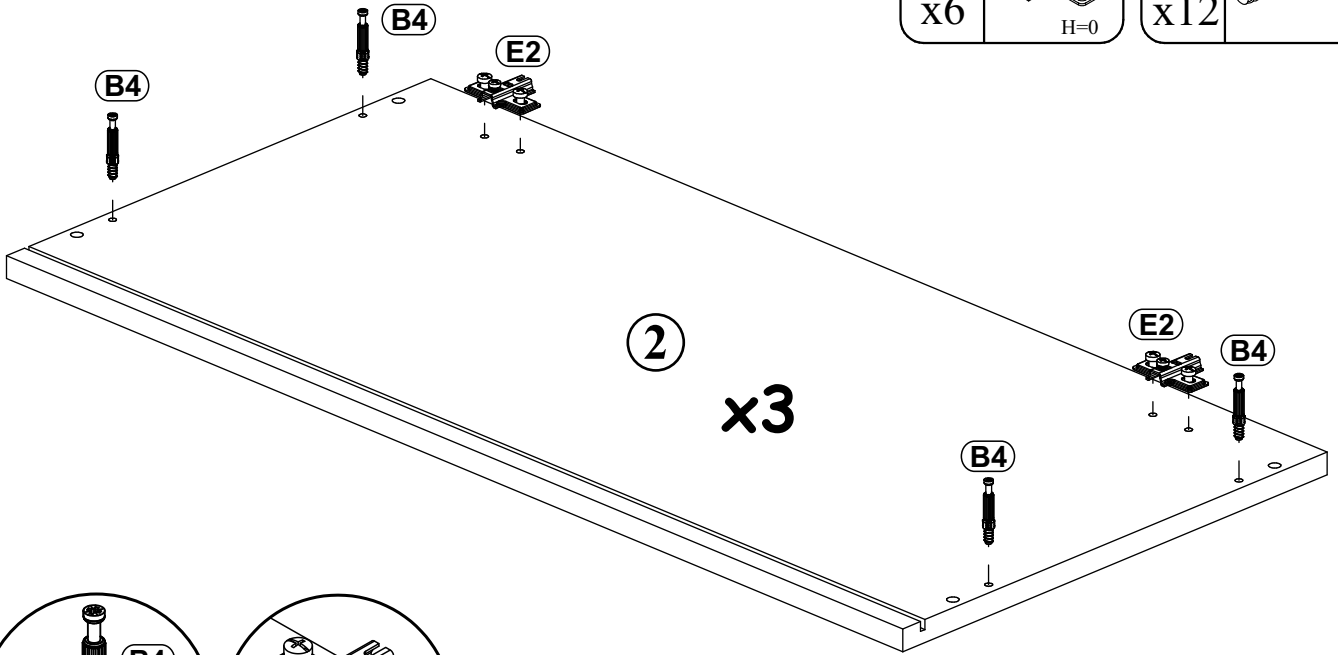
B4		T1	
x12		x3	
D10			
x6	USØ3,5x13		



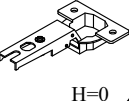
RISE - 30

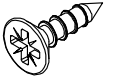
3

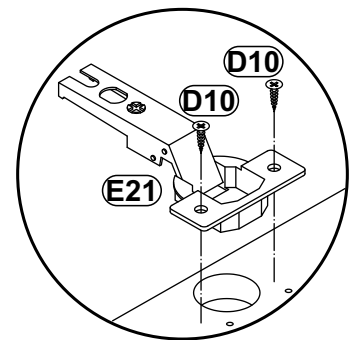
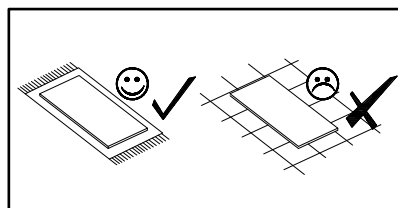
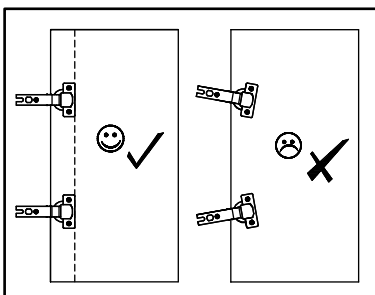
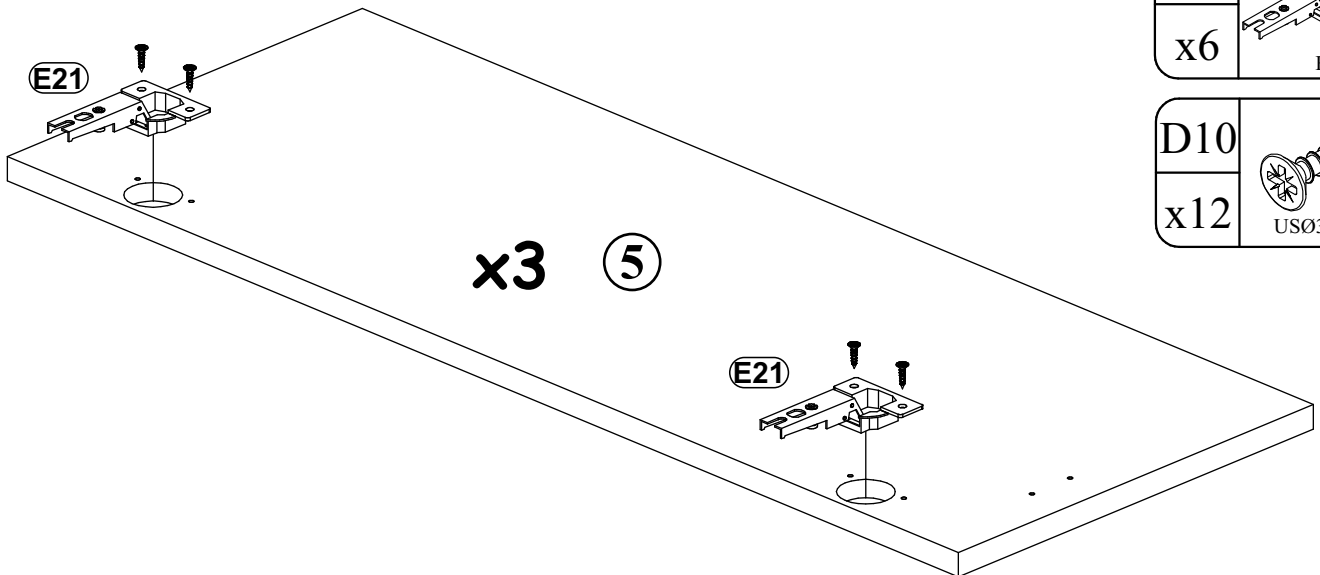
E2		B4	
x6	H=0	x12	



4

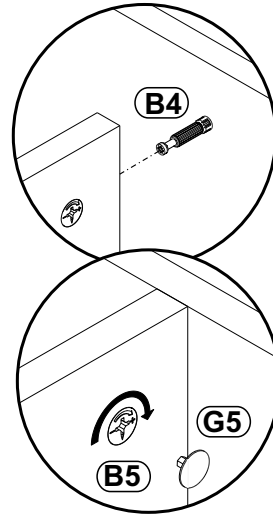
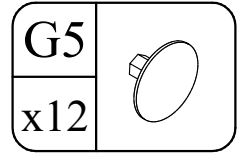
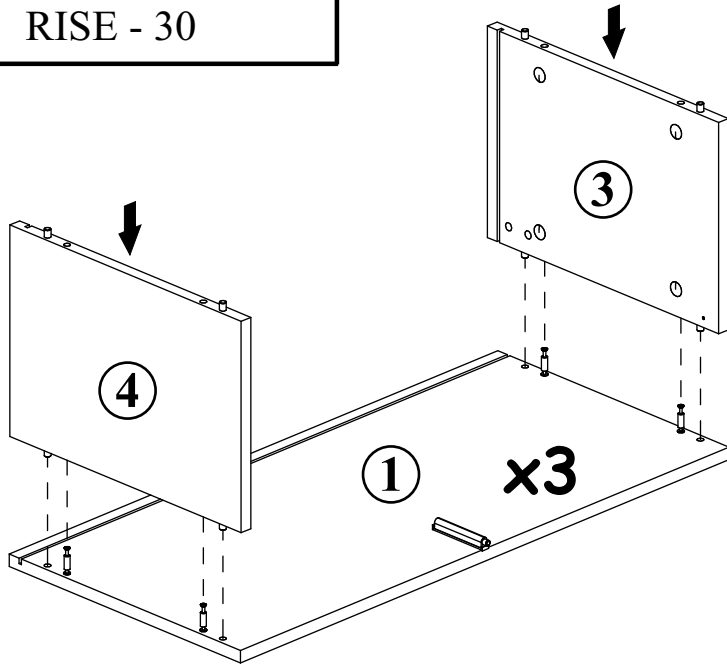
E21		Ø35
x6	H=0	

D10	
x12	USØ3,5x13

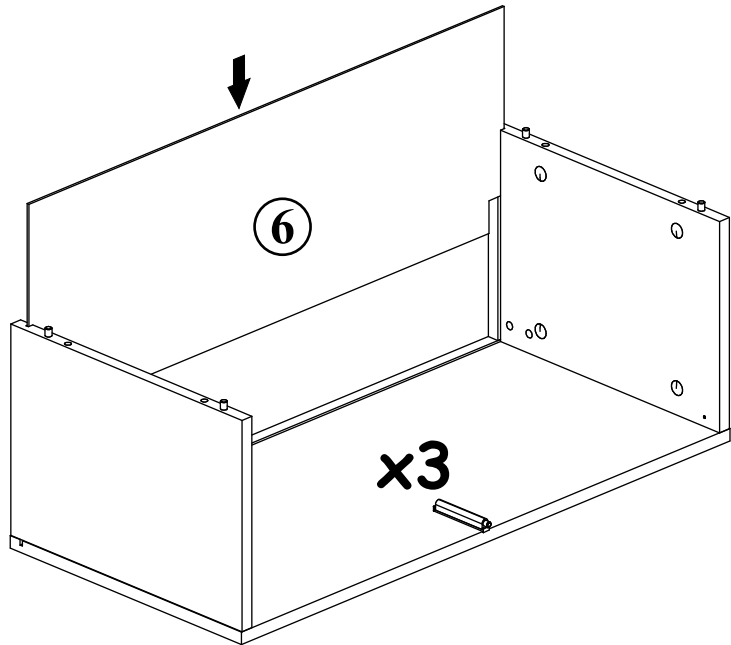


RISE - 30

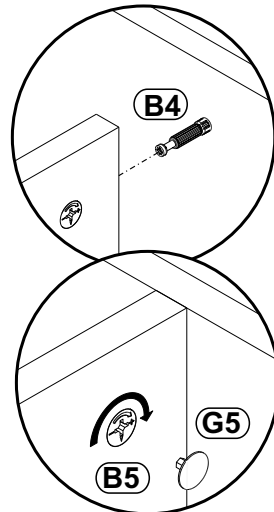
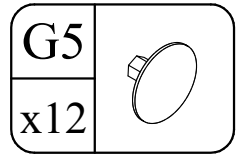
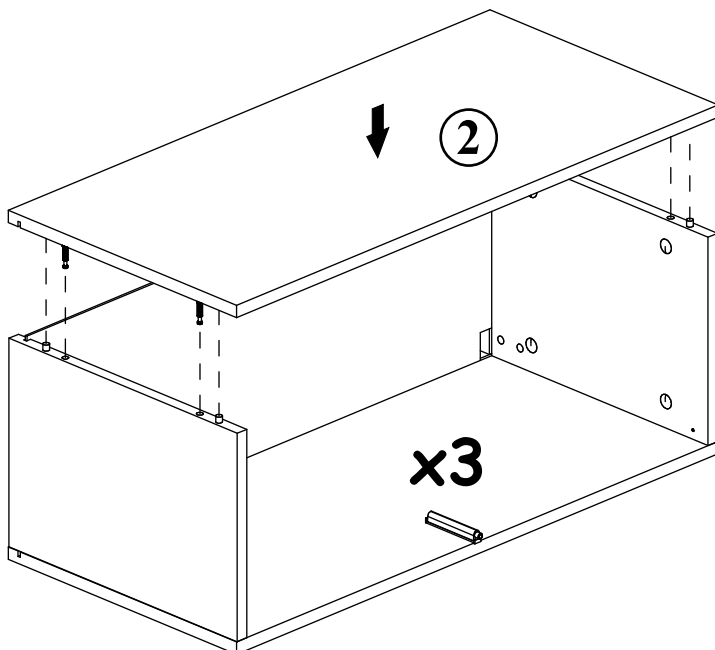
5



6

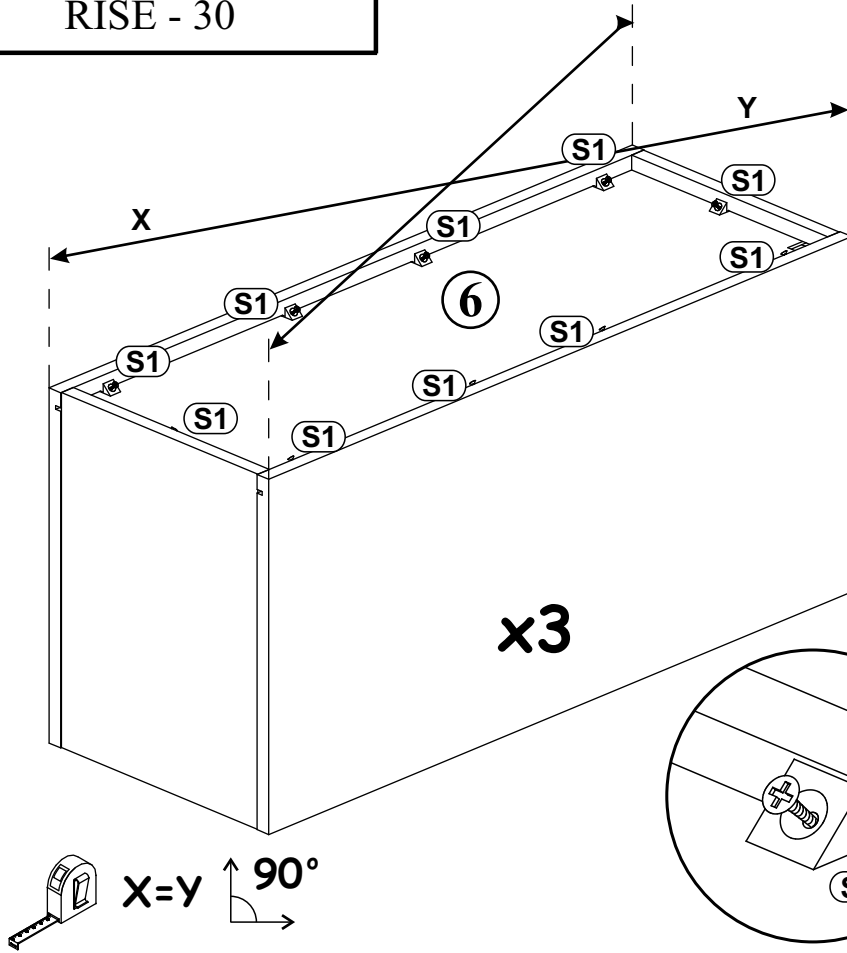


7

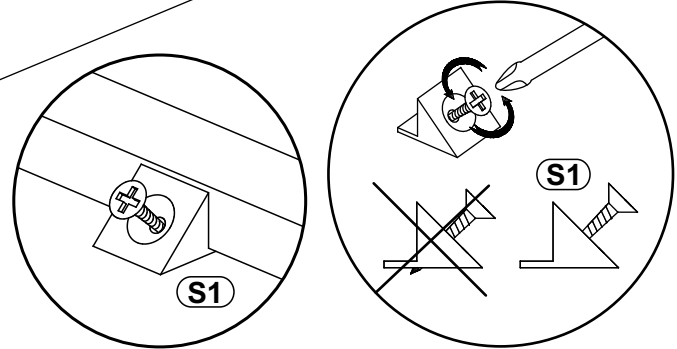


RISE - 30

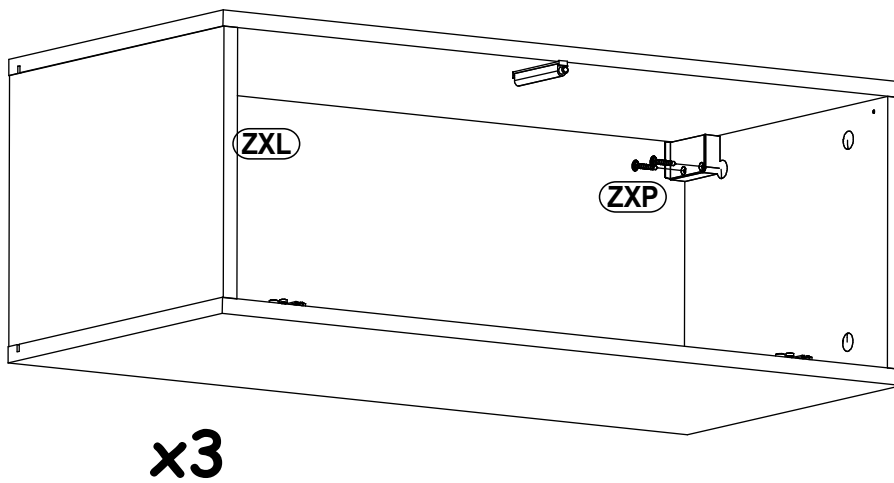
8



S1	
x30	

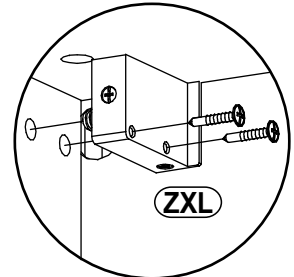
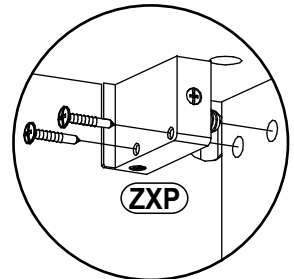


9



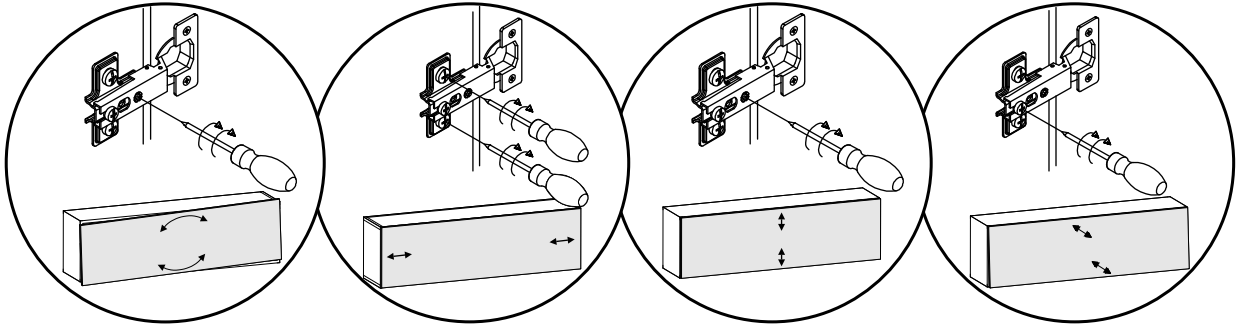
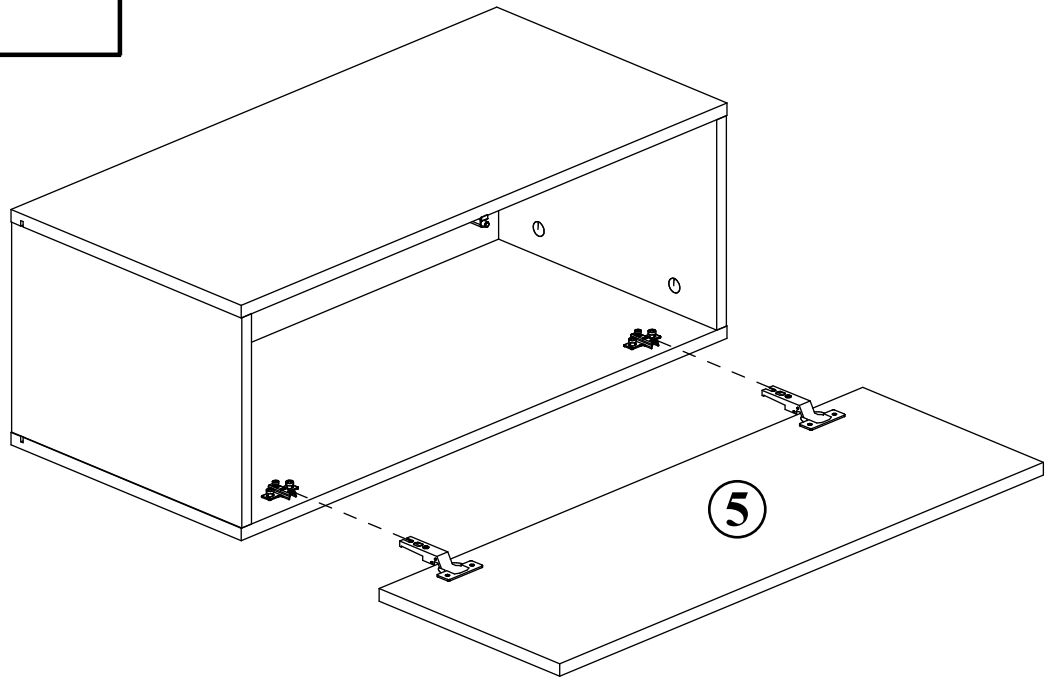
ZXL	
x3	

ZXP	
x3	



10

x3



11

x3

