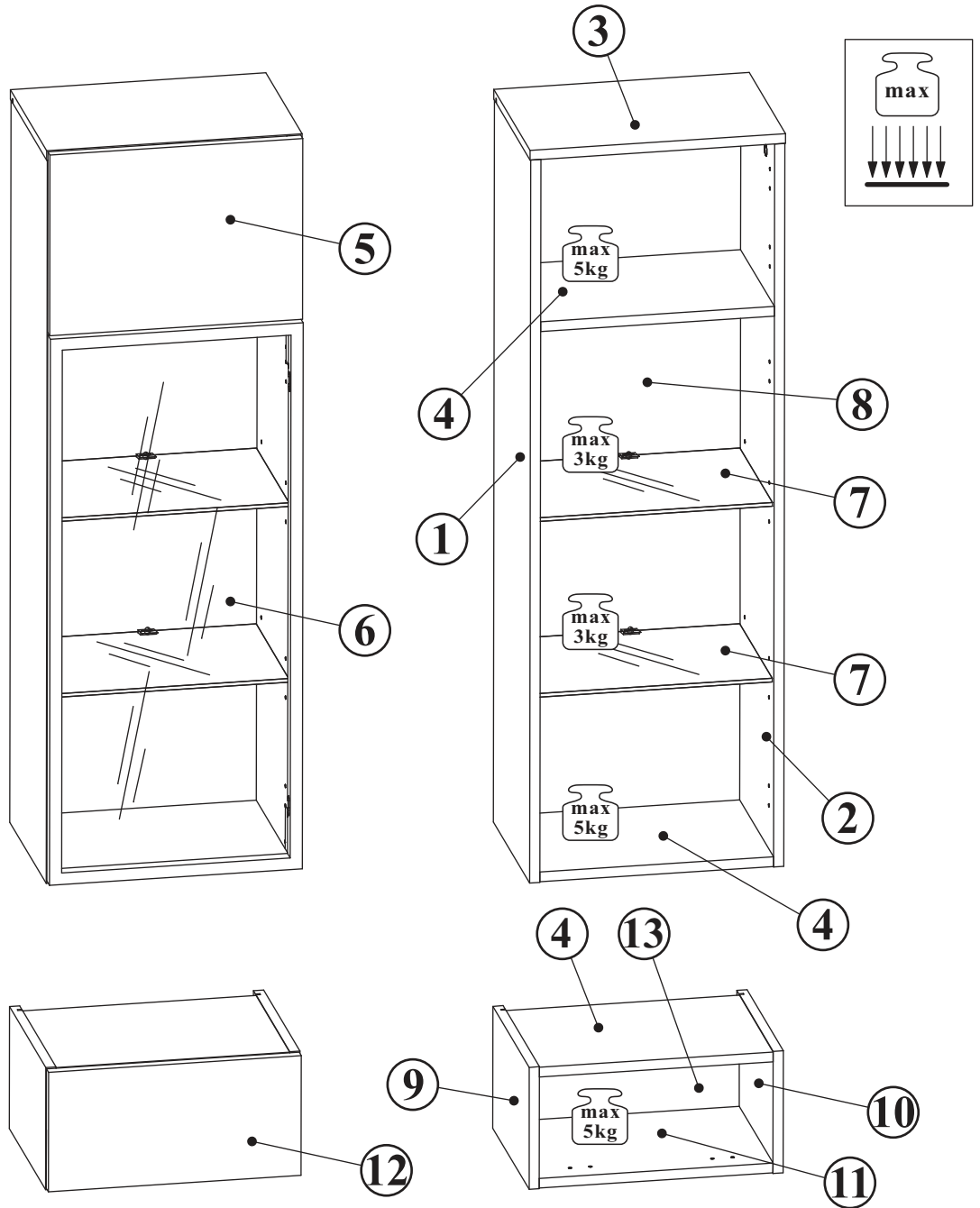
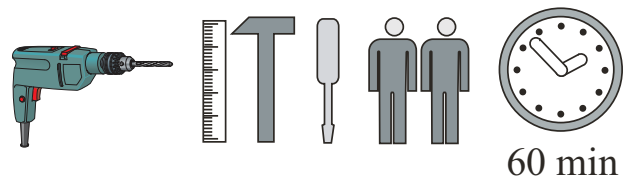


# RISE - 10

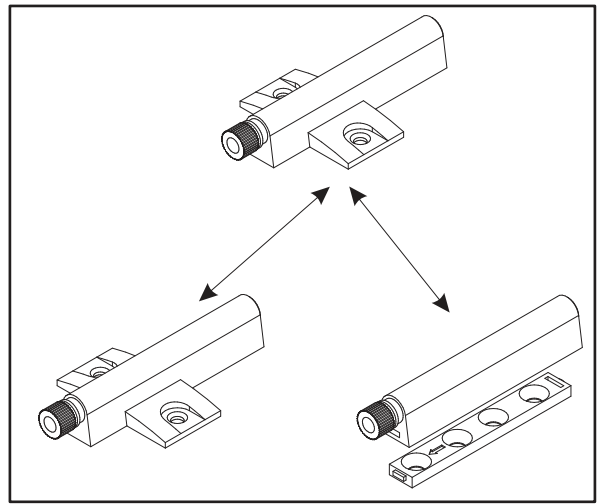
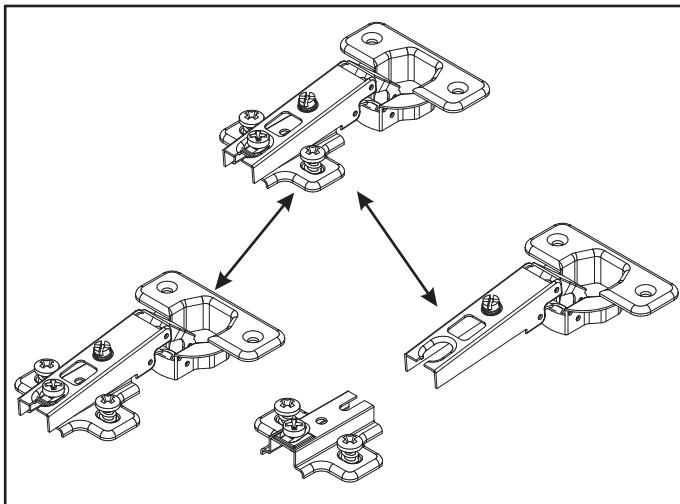
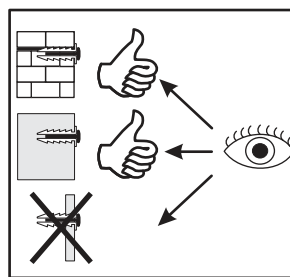
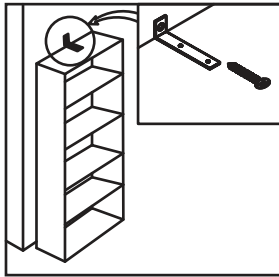
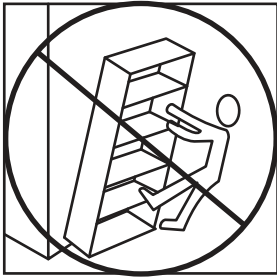
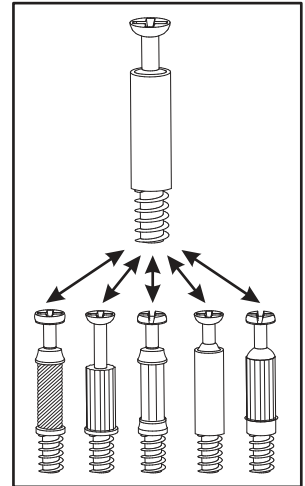
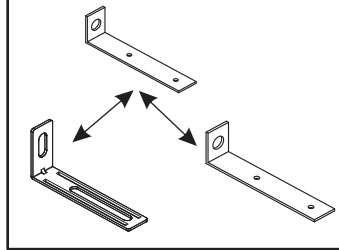
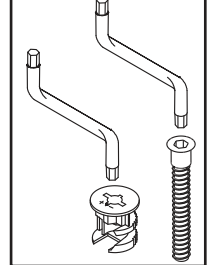
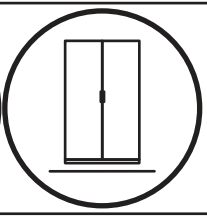
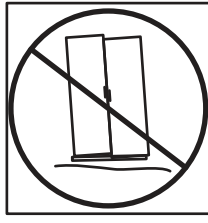
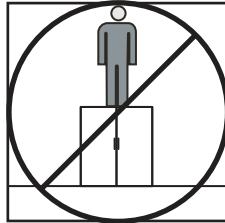
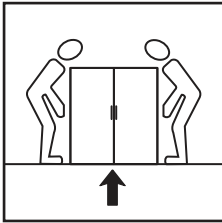
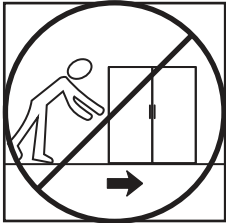
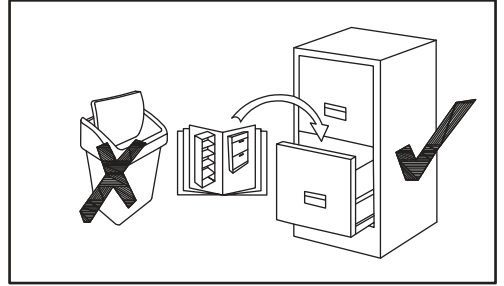
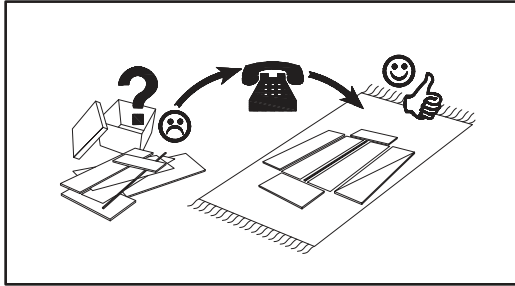
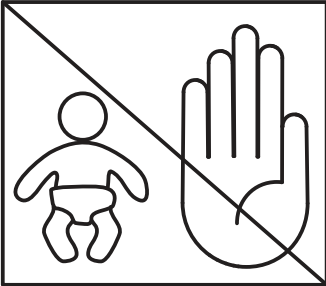
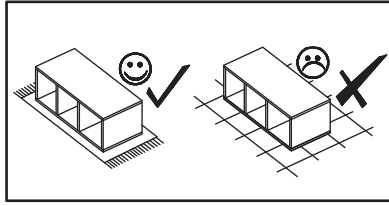
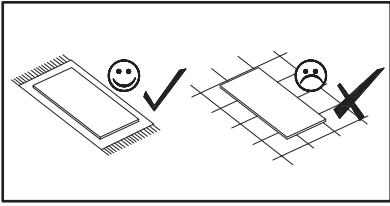


→ 402  
 ↑ 1201  
 200  
 ↗ 302

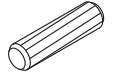
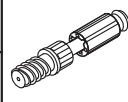


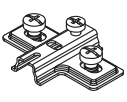
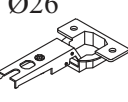

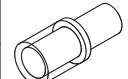
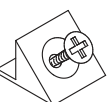
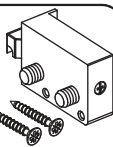
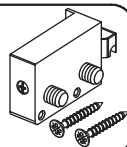

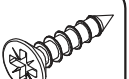

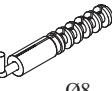


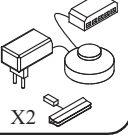
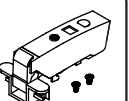
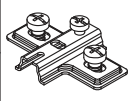
NO	Dim.			Col.-No	Qty
1	1185	286	16	3/3	1
2	1185	286	16	3/3	1
3	402	286	16	3/3	1
4	368	266	16	3/3	3
5	398	296	16	3/3	1
6	895	398	21	3/3	1
7	367	256	6	3/3	2
8	1187	380	3	3/3	1
9	200	286	16	3/3	1
10	200	286	16	3/3	1
11	368	266	16	3/3	1
12	398	196	16	3/3	1
13	380	194	3	3/3	1

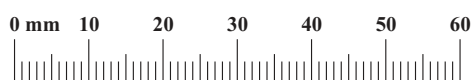


60 min



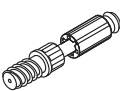
# RISE - 10


A1 x20  ø8x36	B4 x20 	B5 x20  ø15x12	G5 x20 	E2 x4  H=0	E1 x4  Ø26 H=0
T1 x3 	G20 x8 	S1 x12 	ZXL x2 	ZXP x2 	D10 x16  USØ3,5x13
D7 x3  USØ3x16	G2 x1 	KR2 x4  Ø8	UP13 x9  UPØ3x16	G21 x1 	LED x1  x2
E30 x2 	E4 x2  H=-2				

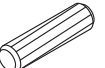


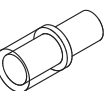
# RISE - 10

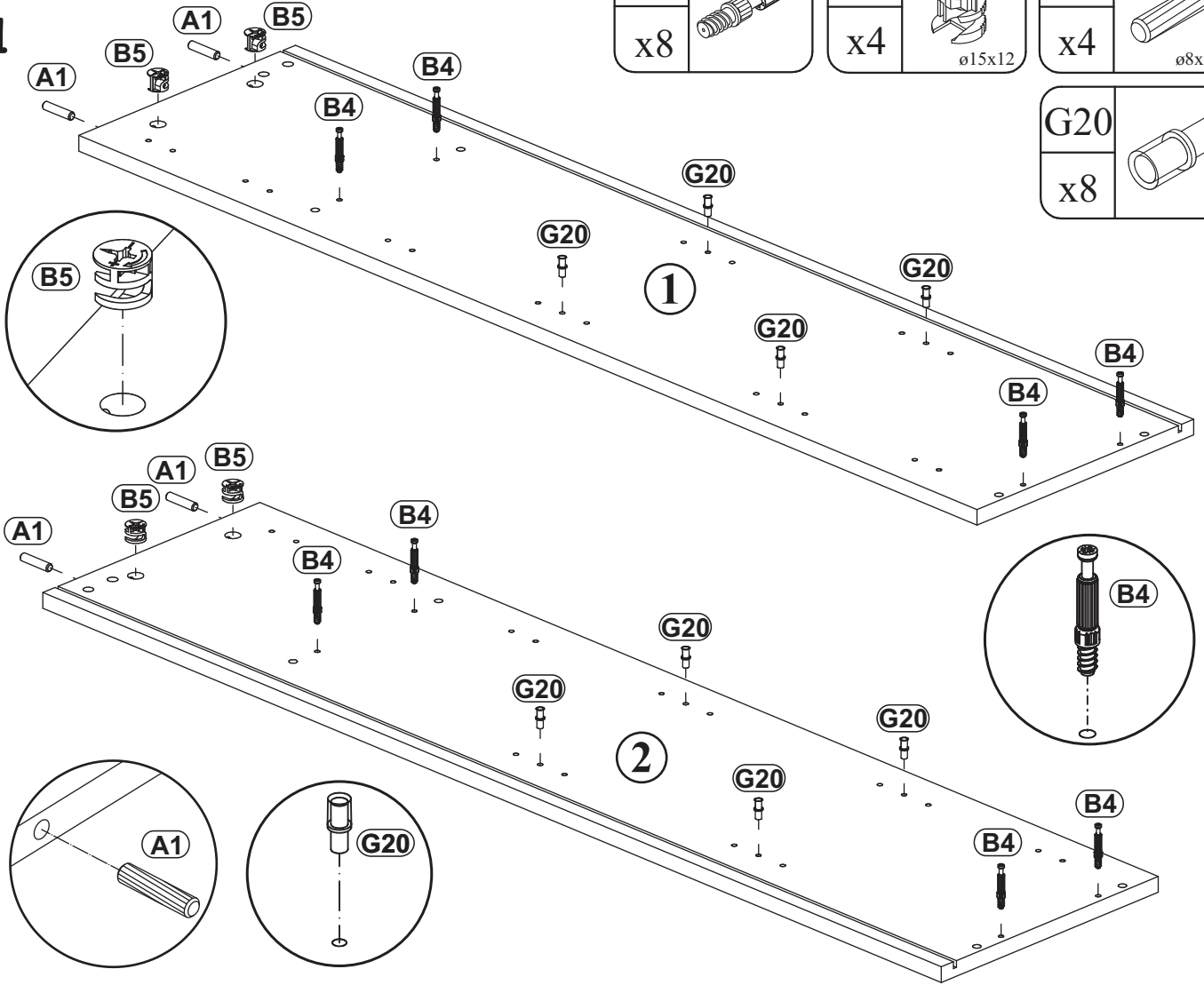
1

B4	
x8	

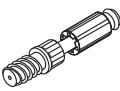
B5	
x4	ø15x12

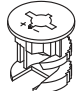
A1	
x4	ø8x36

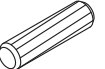
G20	
x8	

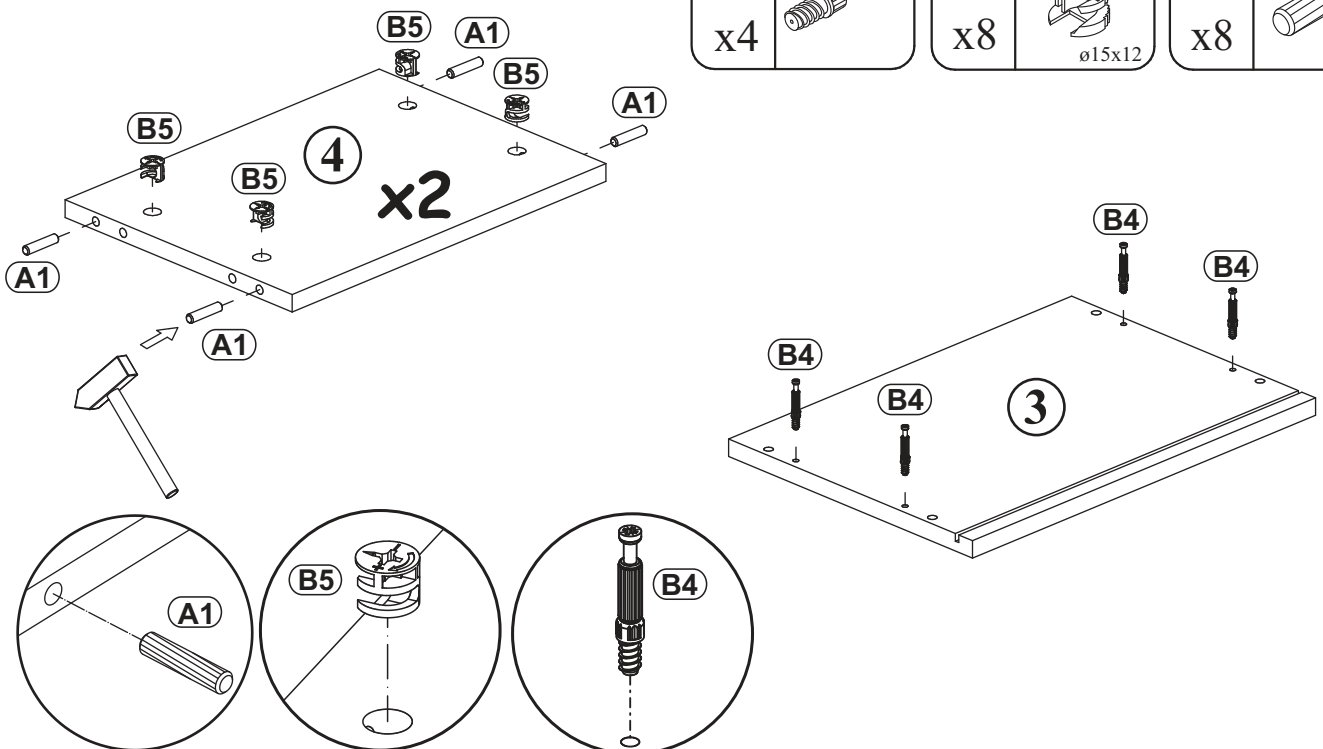


2

B4	
x4	

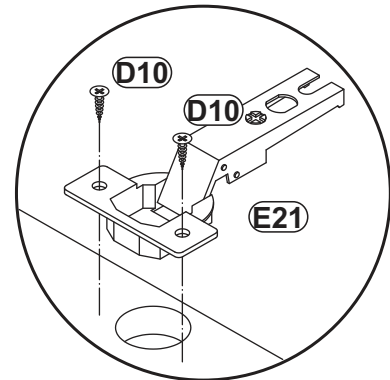
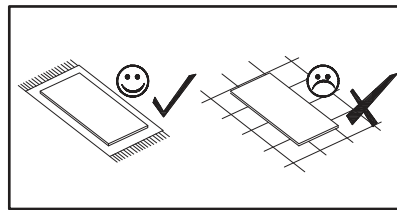
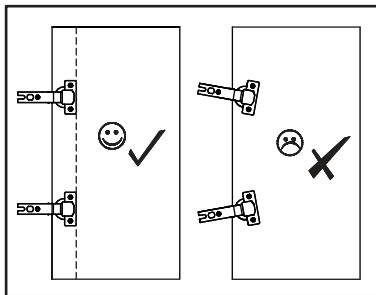
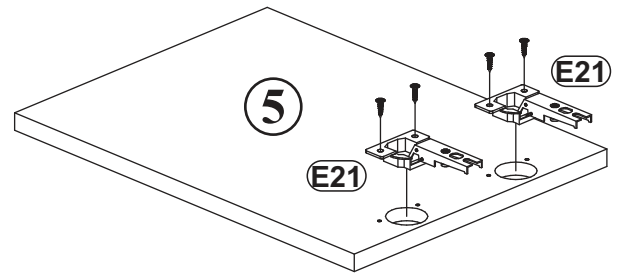
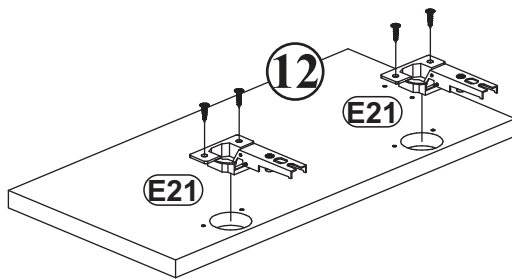
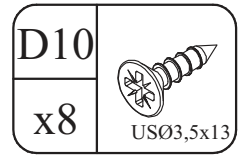
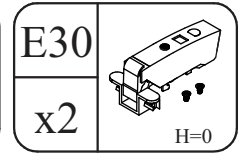
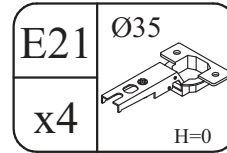
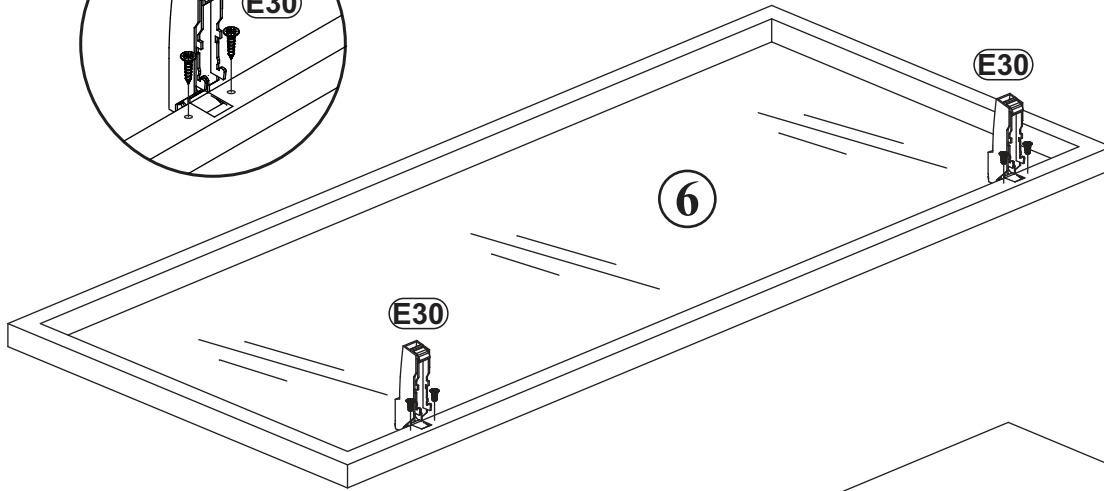
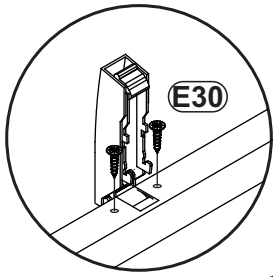
B5	
x8	ø15x12

A1	
x8	ø8x36

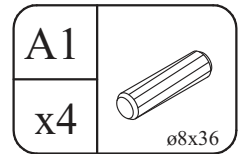
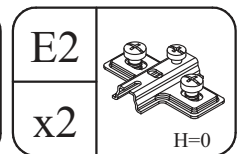
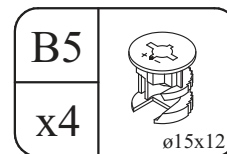
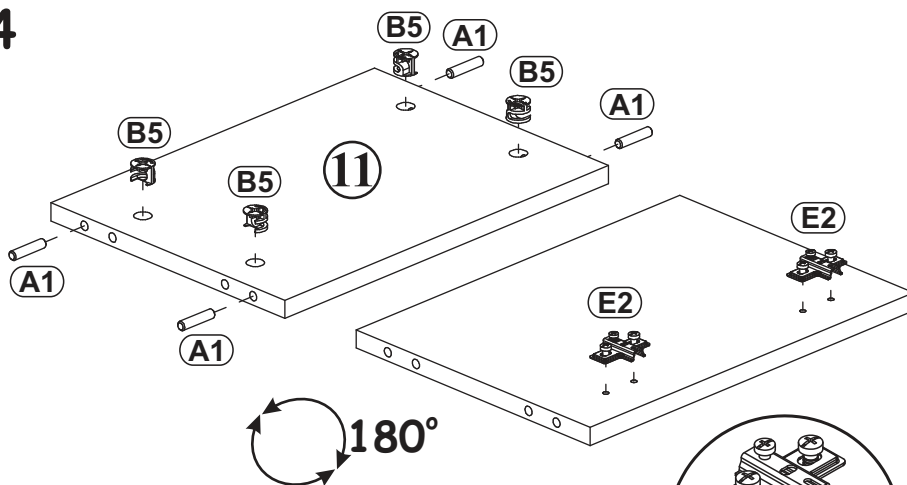


# RISE - 10

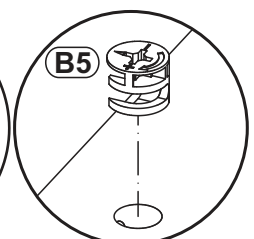
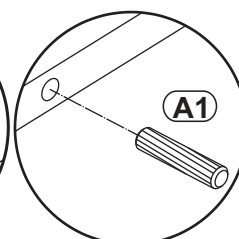
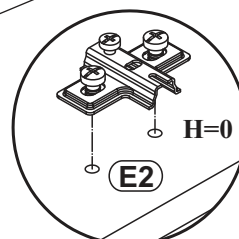
## 3



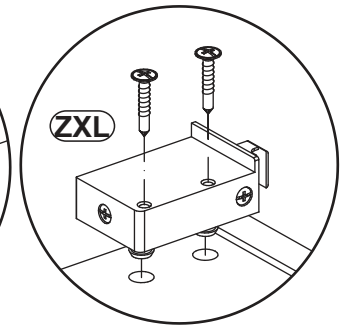
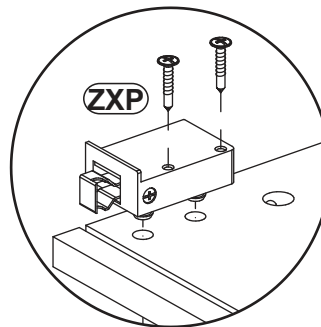
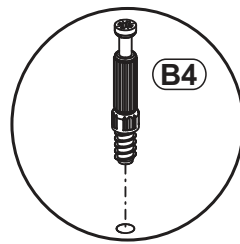
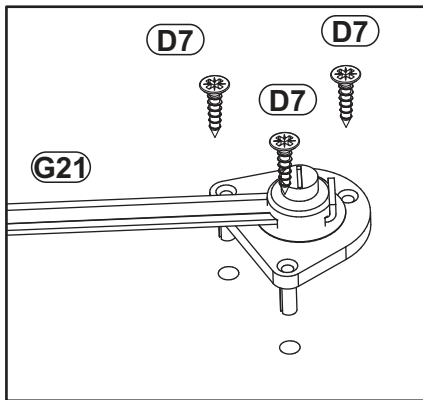
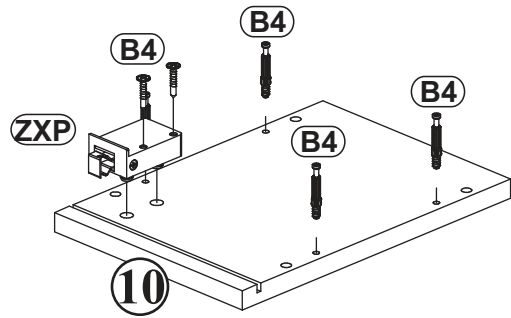
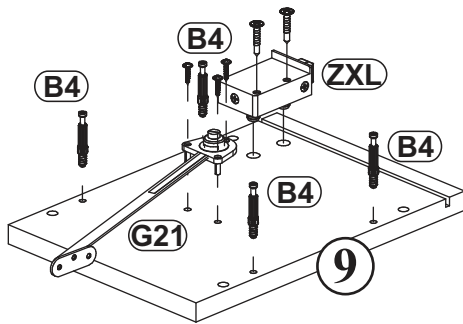
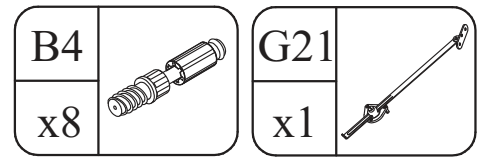
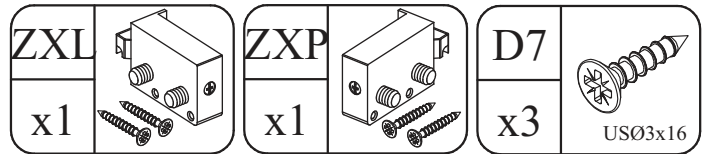
## 4



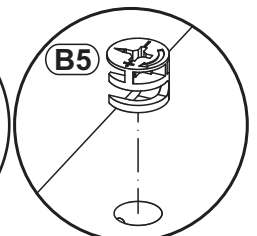
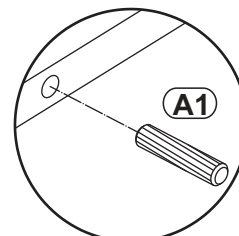
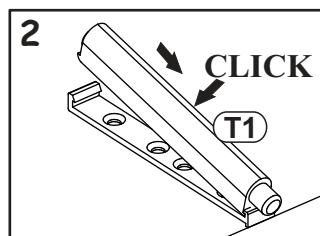
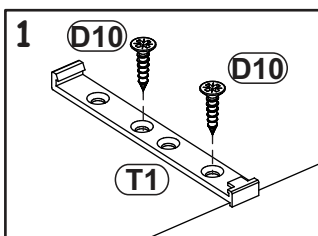
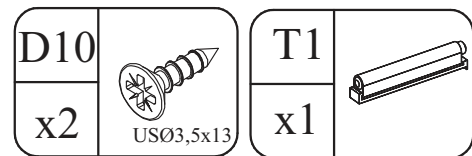
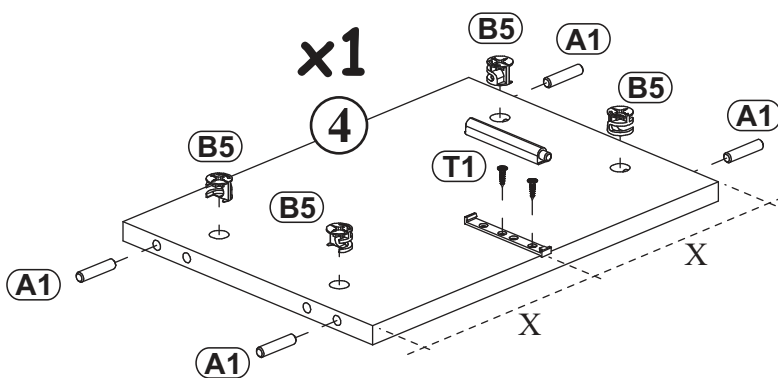
180°




5

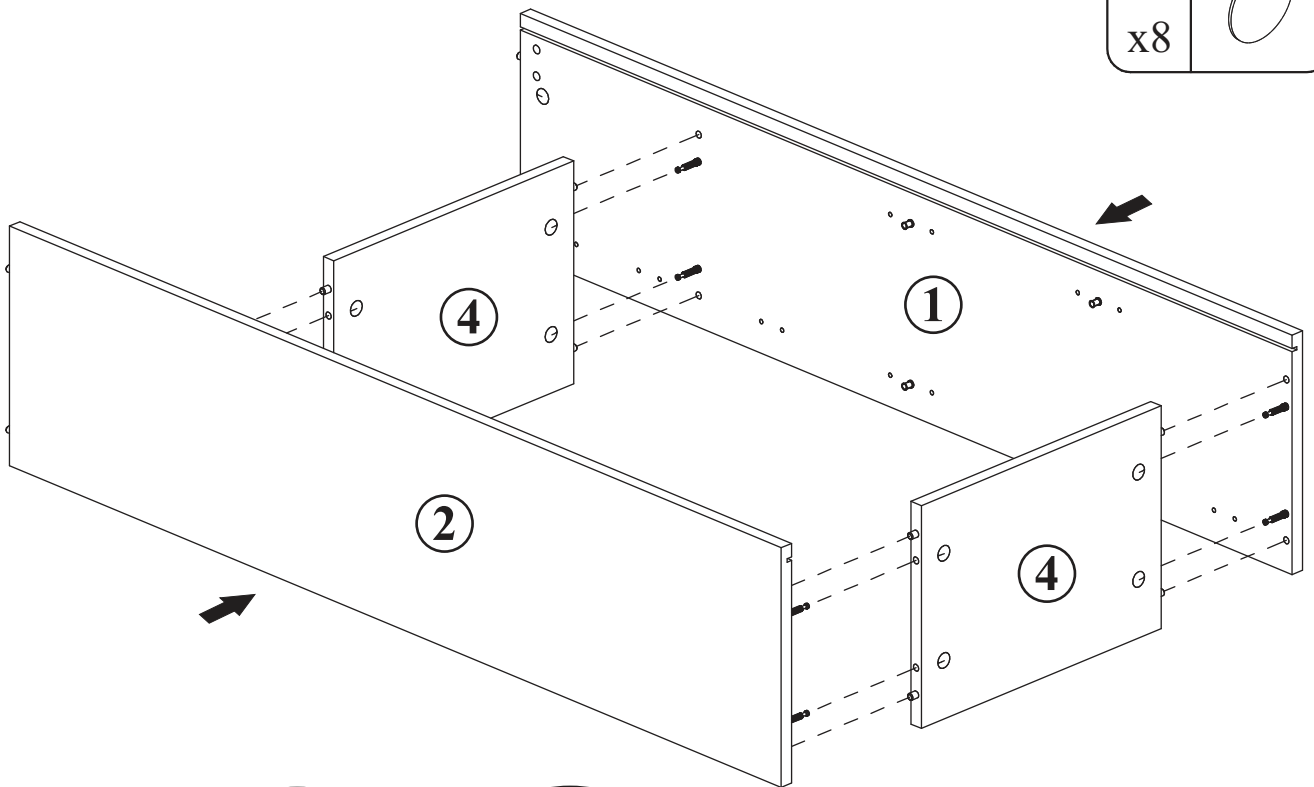


6

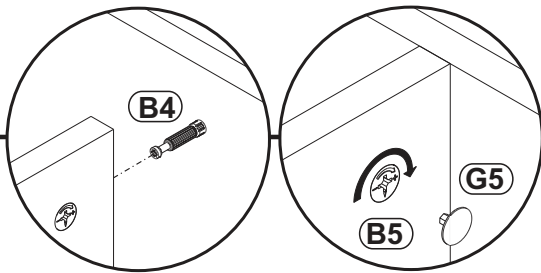



7

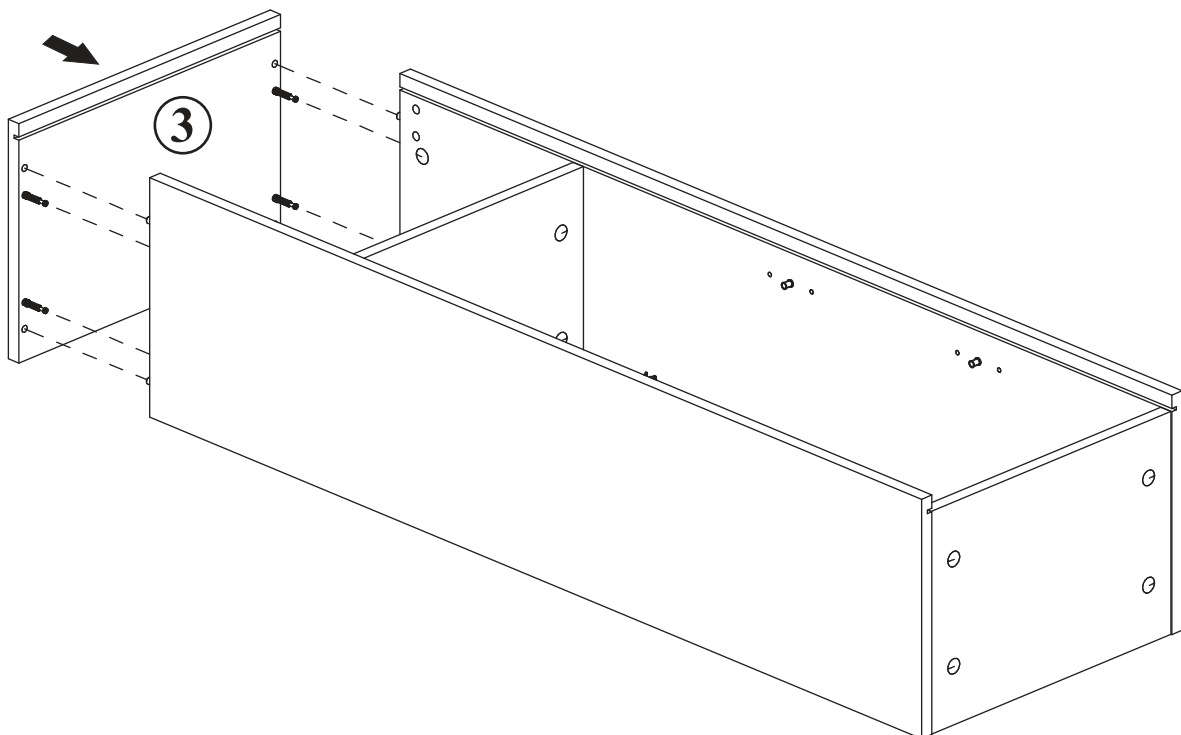
G5	
x8	



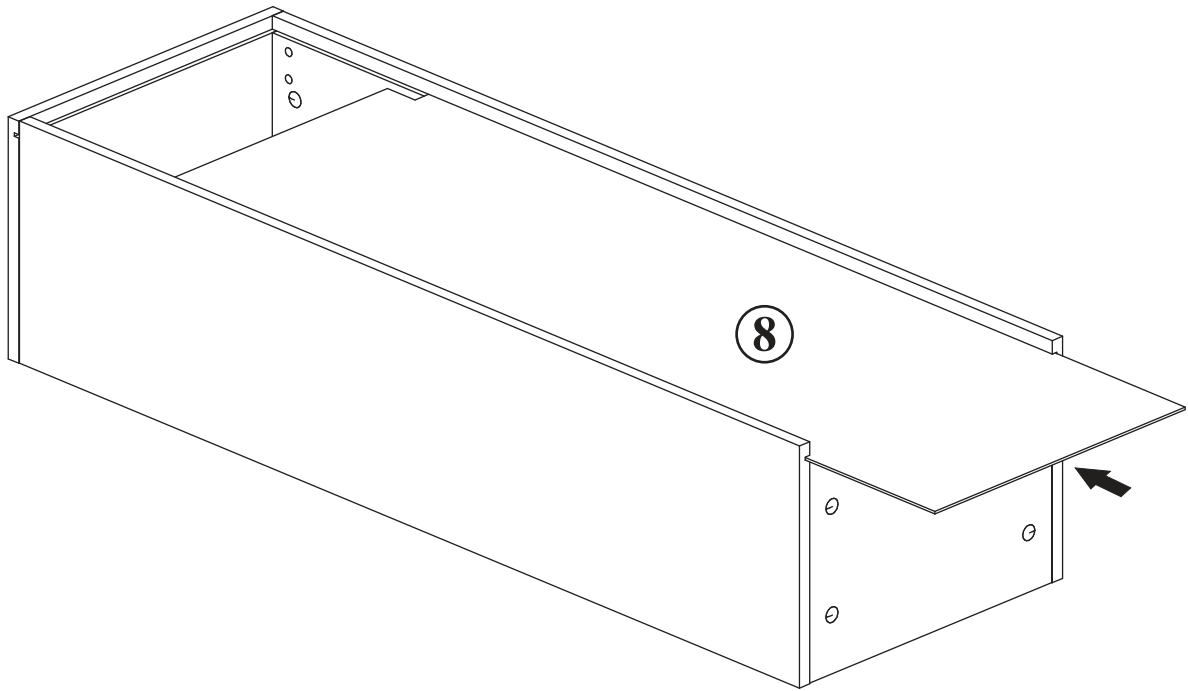
8




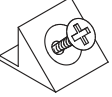
G5	
x4	

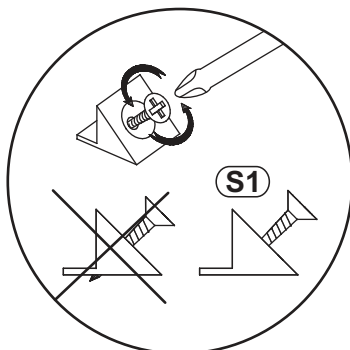
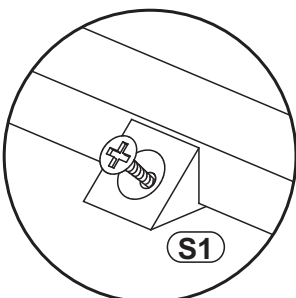
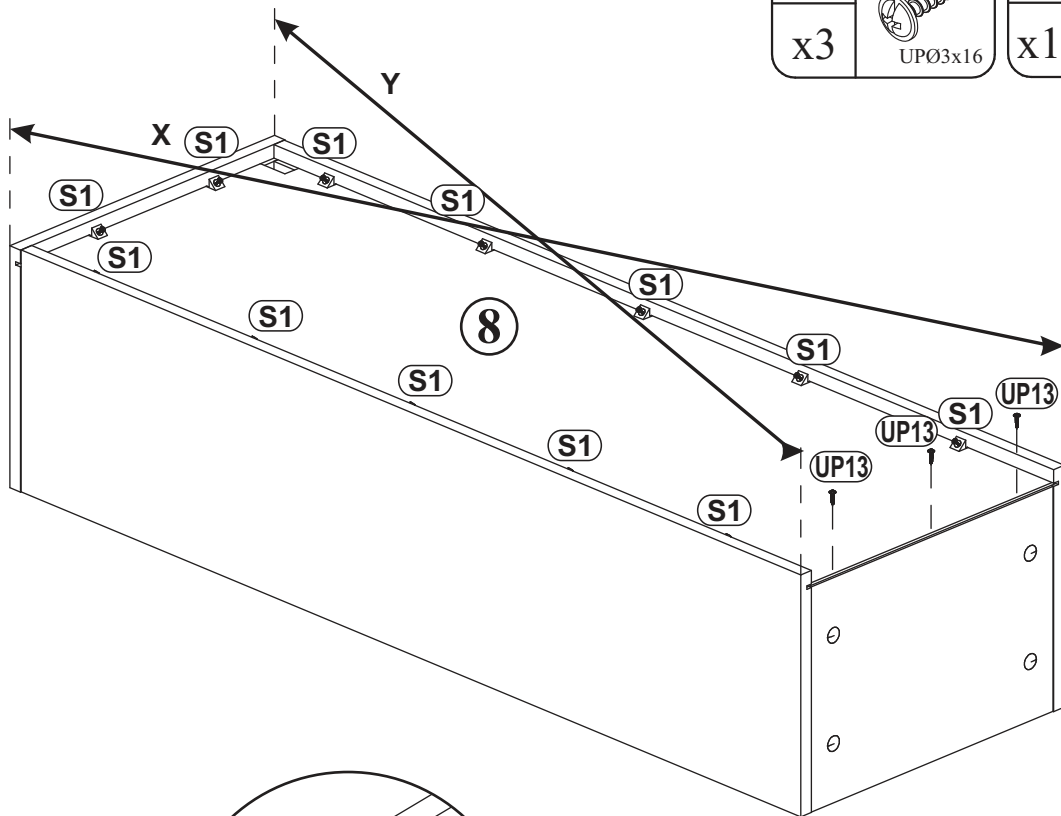


9



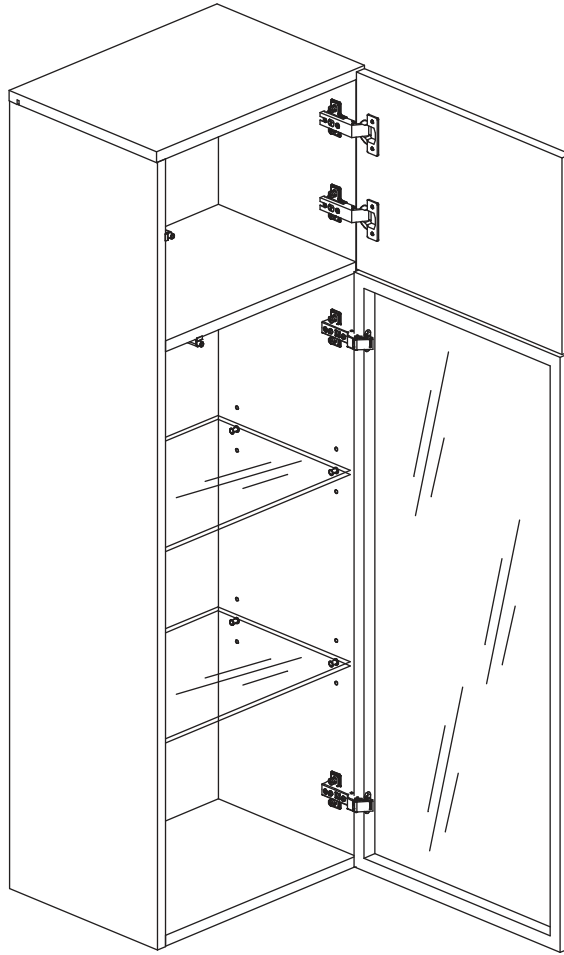
10

UP13		S1	
x3	UPØ3x16	x12	

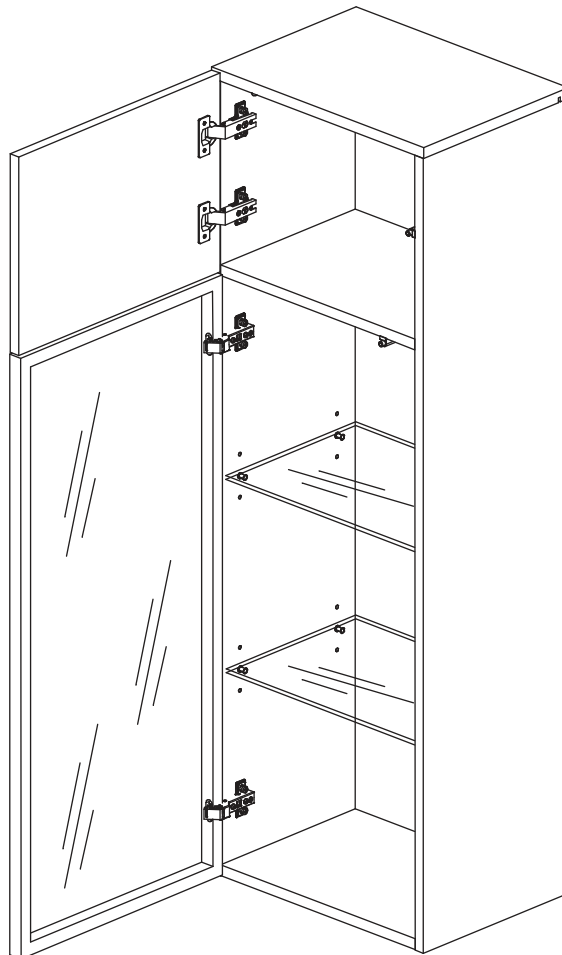




10/13

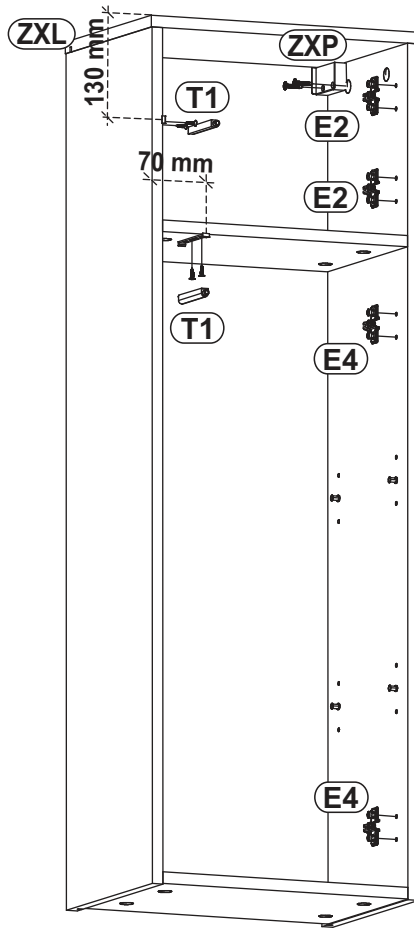
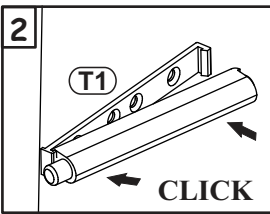
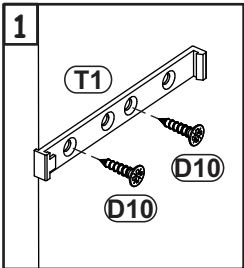
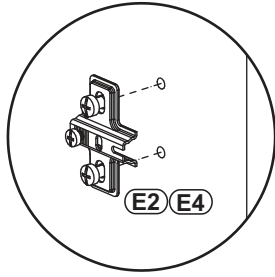




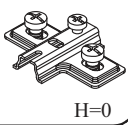
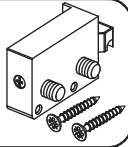
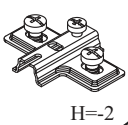
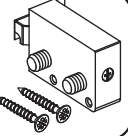
11/13

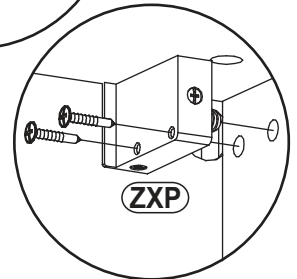
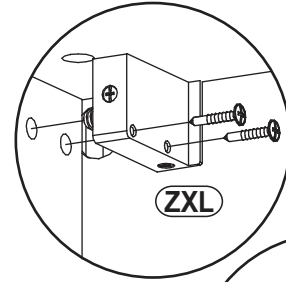


# RISE - 10

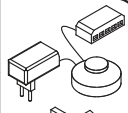
11

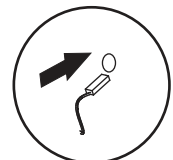
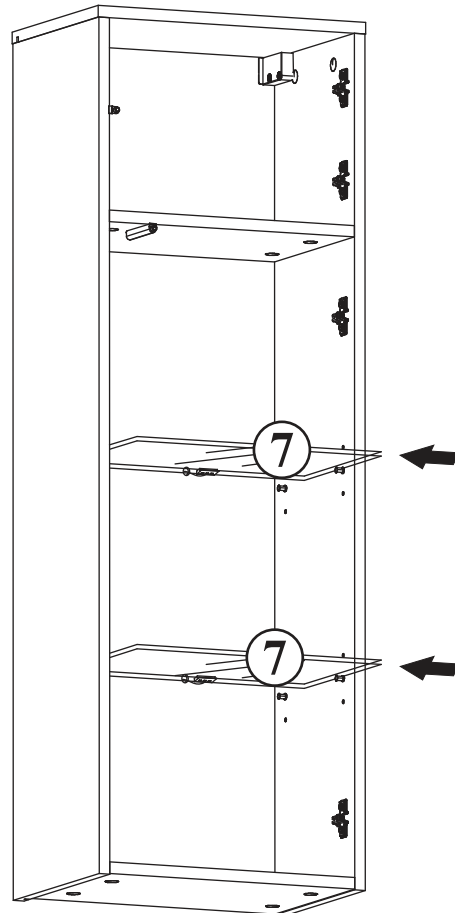
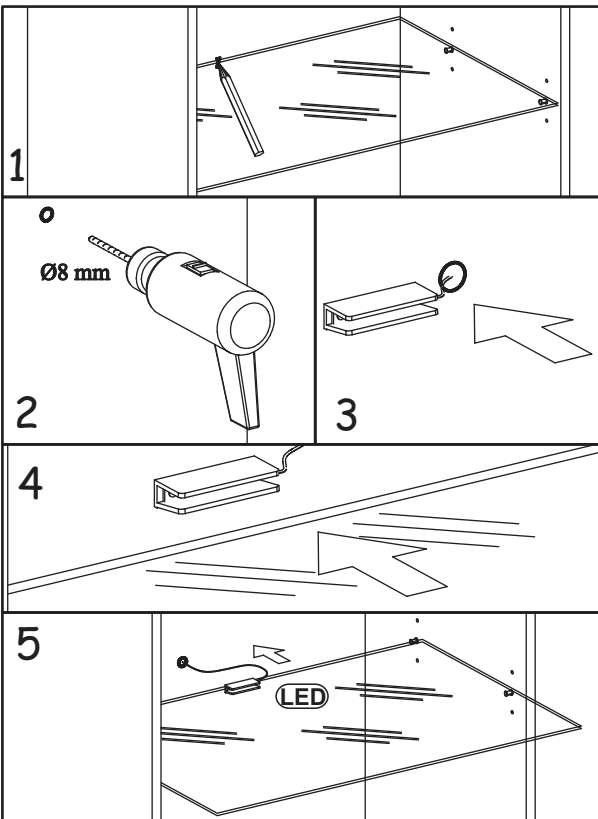


D10	 USØ3,5x13	T1	 x2
E2	 H=0	ZXP	 x1
E4	 H=-2	ZXL	 x1

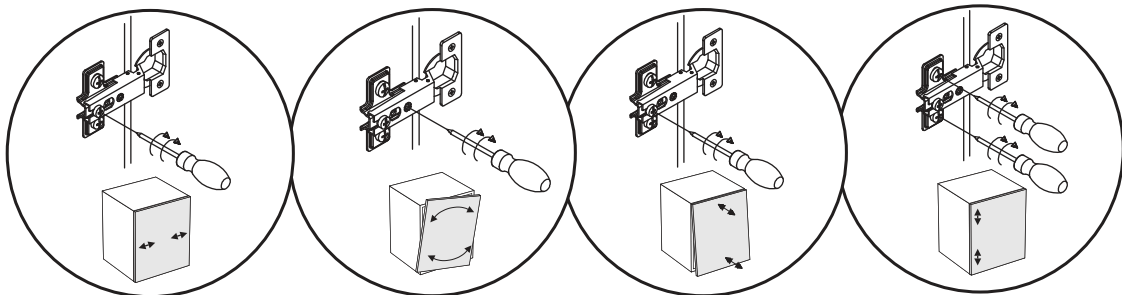
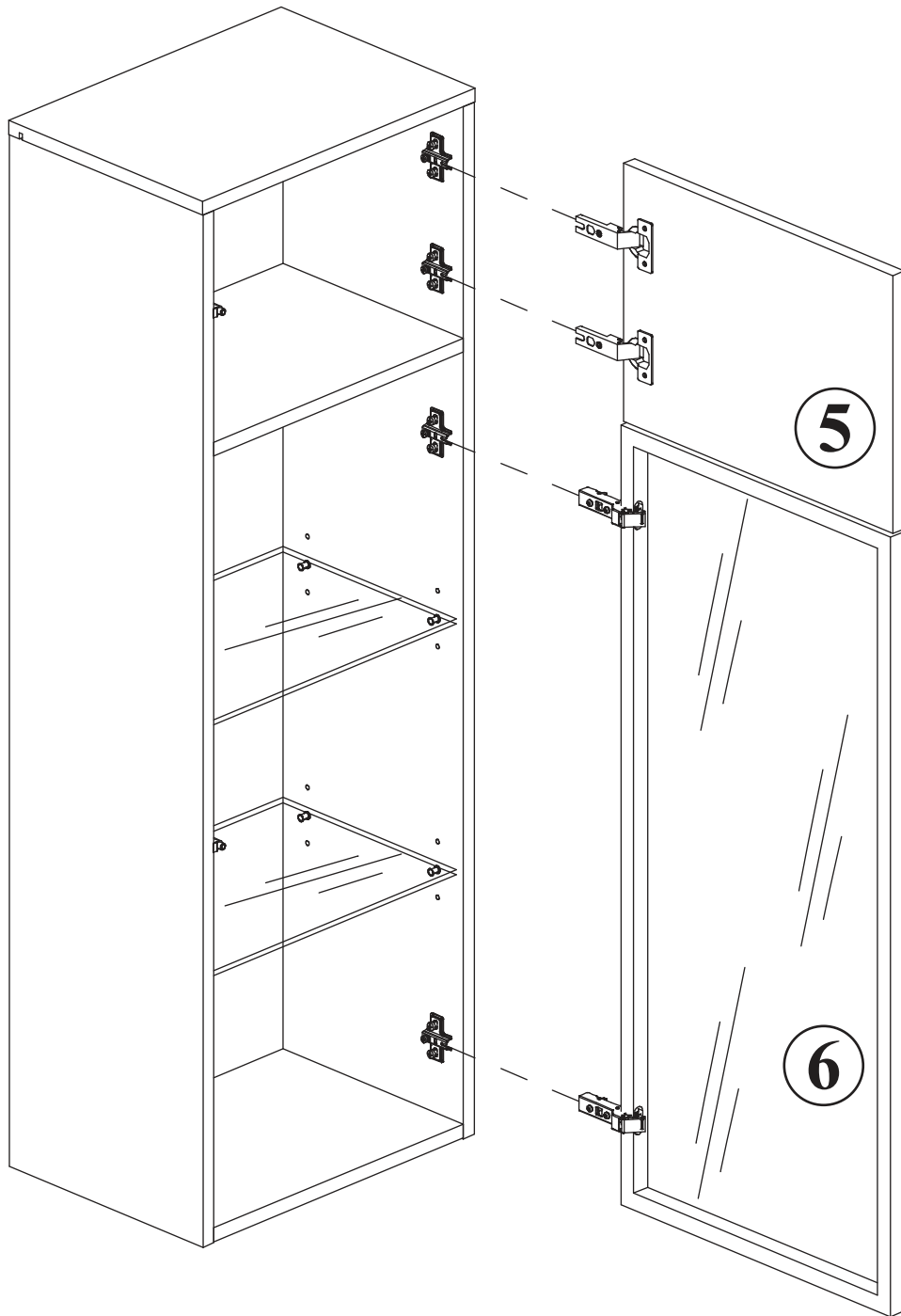


12

LED	
x1	x2

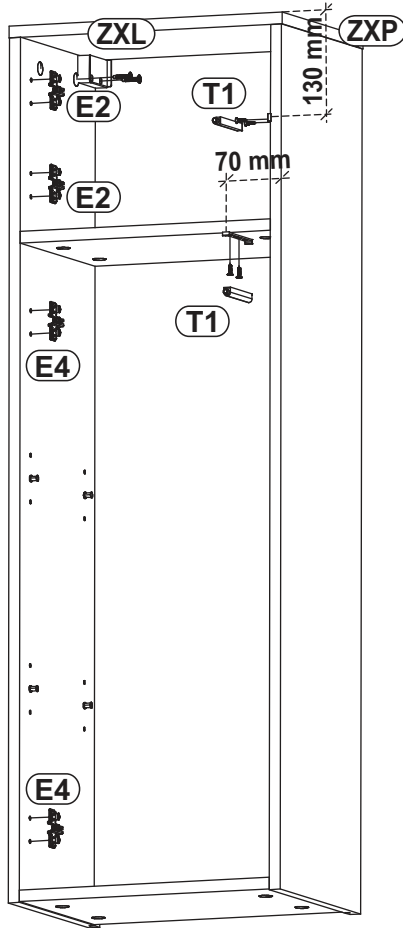
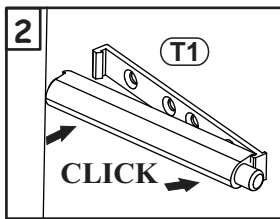
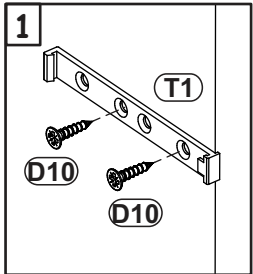
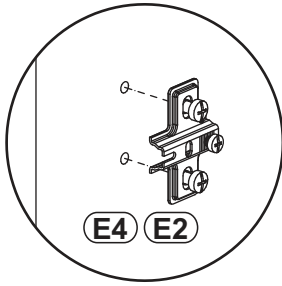




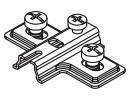
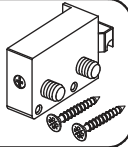
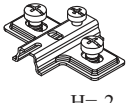
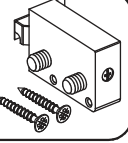
13

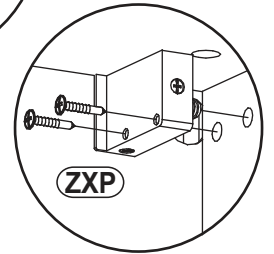
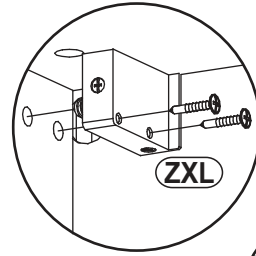


# RISE - 10

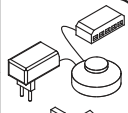
## 14

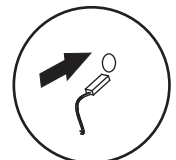
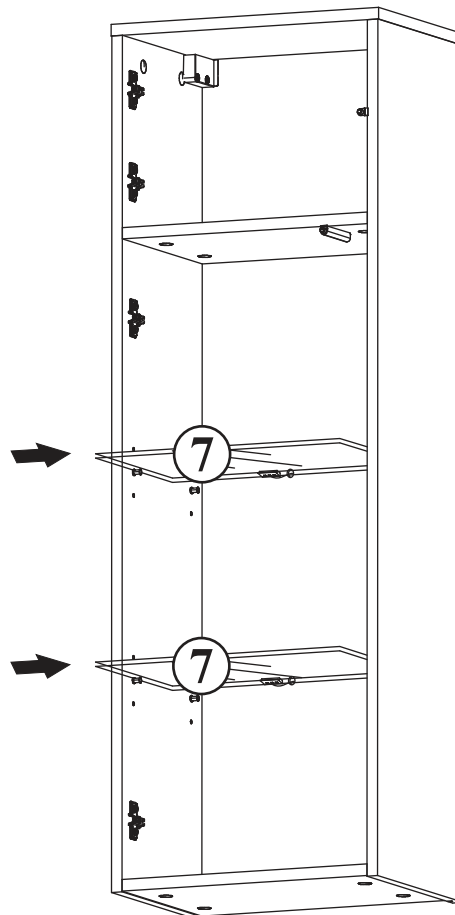
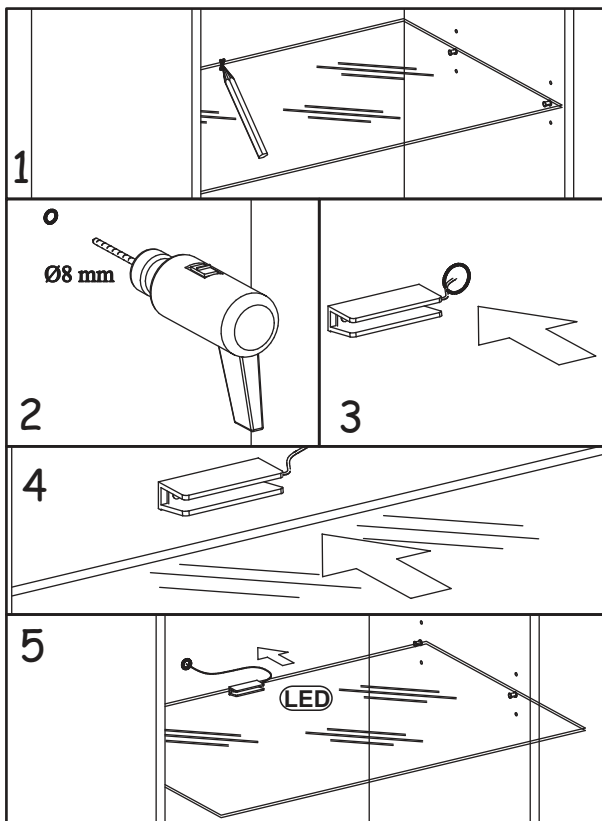


D10		T1	
x4	USØ3,5x13	x2	
E2		ZXP	
x2	H=0	x1	
E4		ZXL	
x2	H=-2	x1	

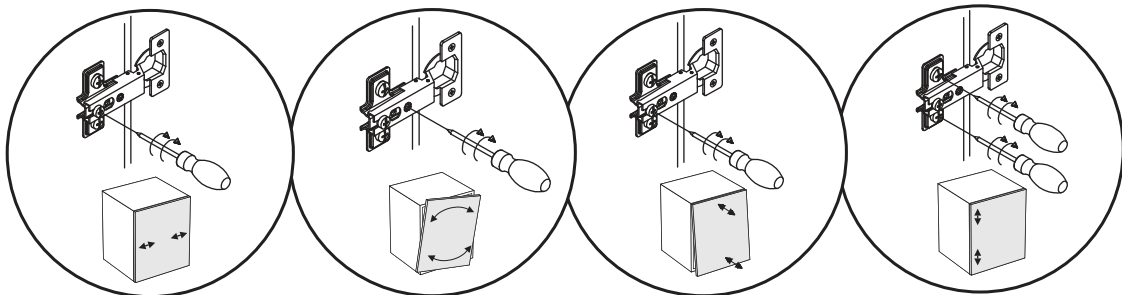
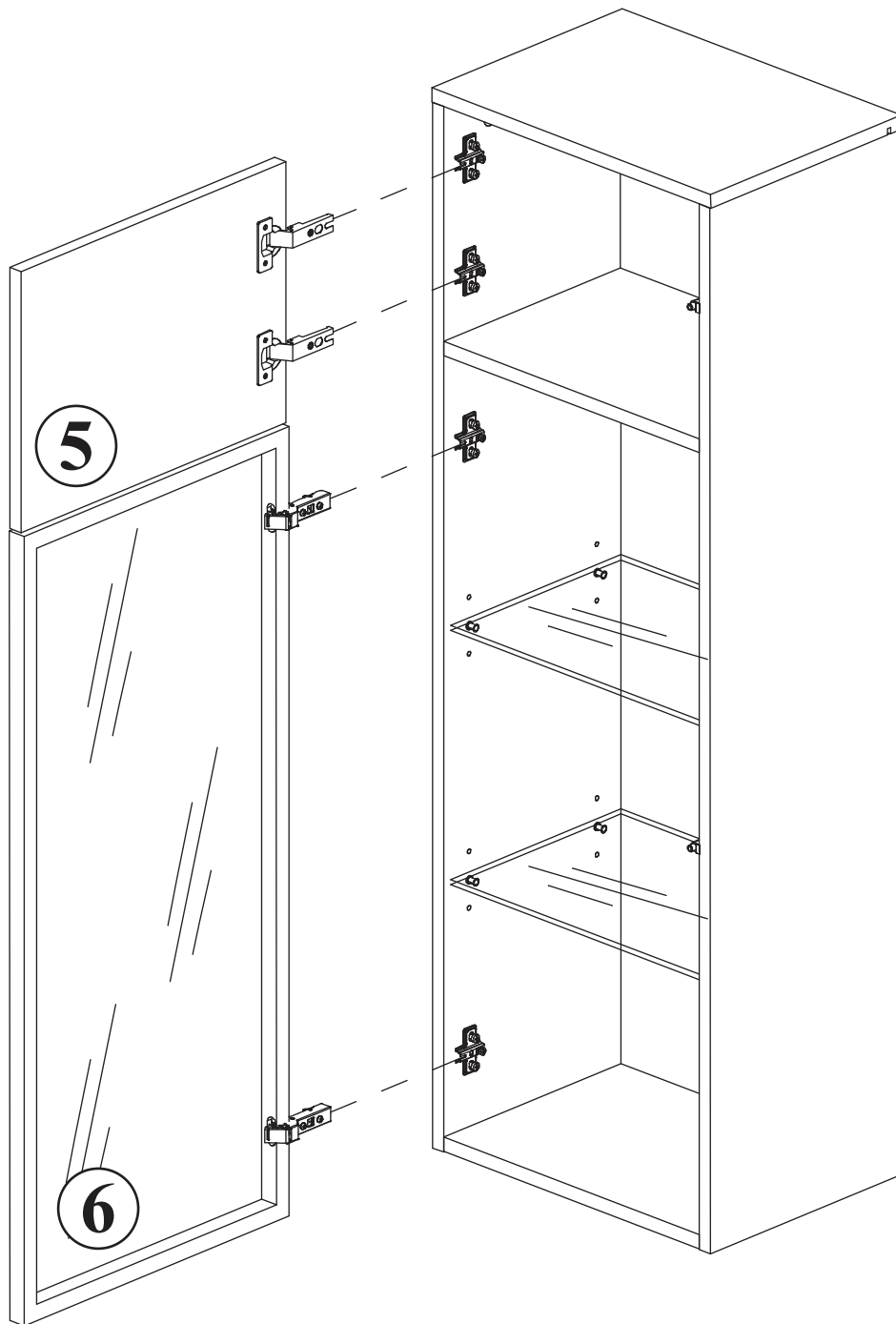


## 15

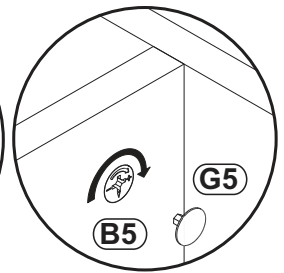
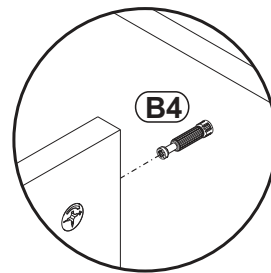
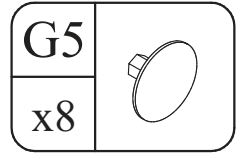
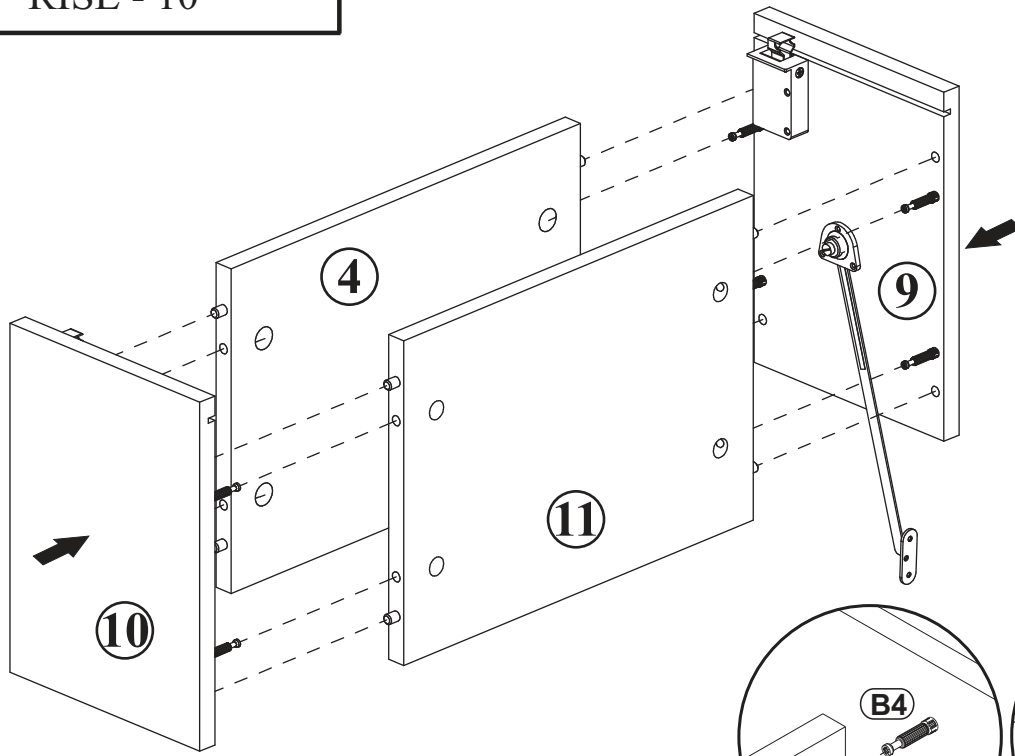
LED	
x1	x2



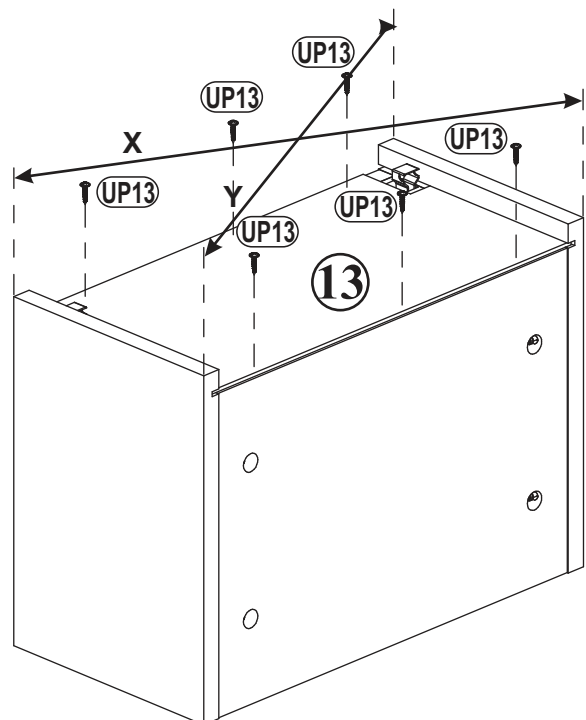
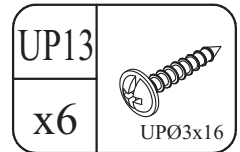
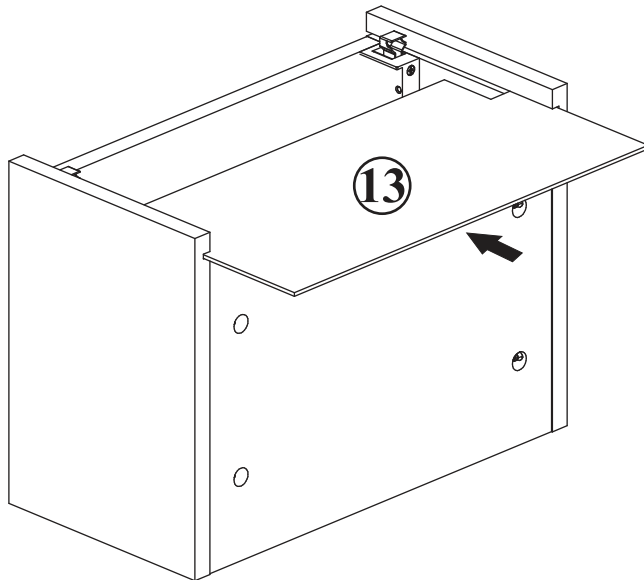
16



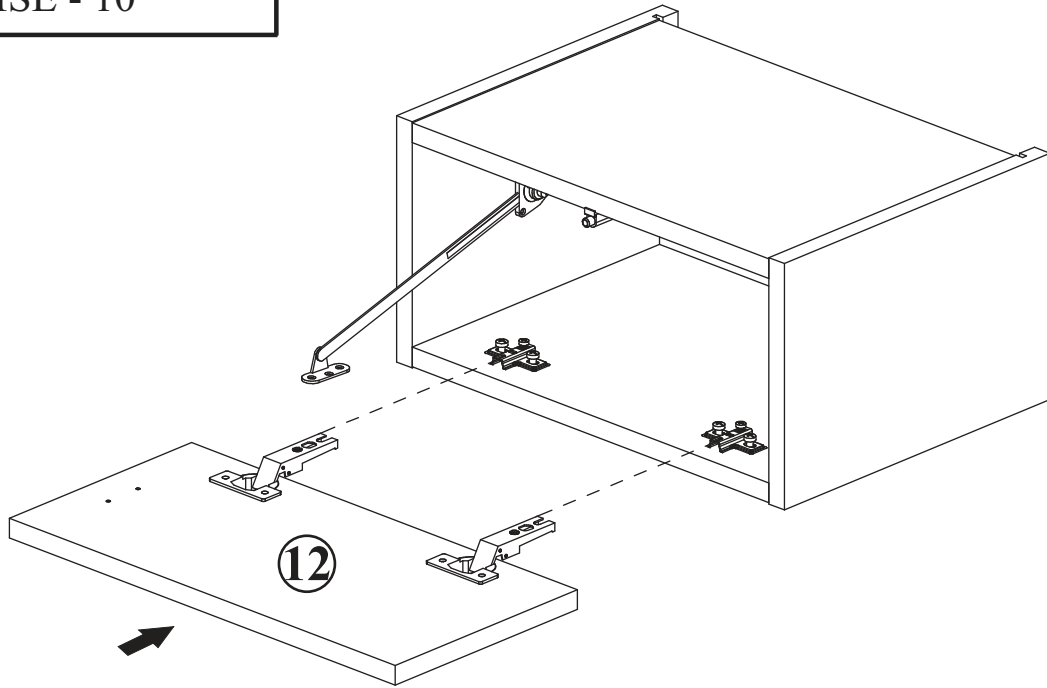
17



18



19



20

