

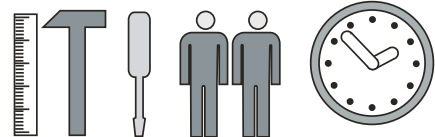
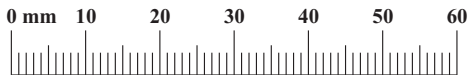
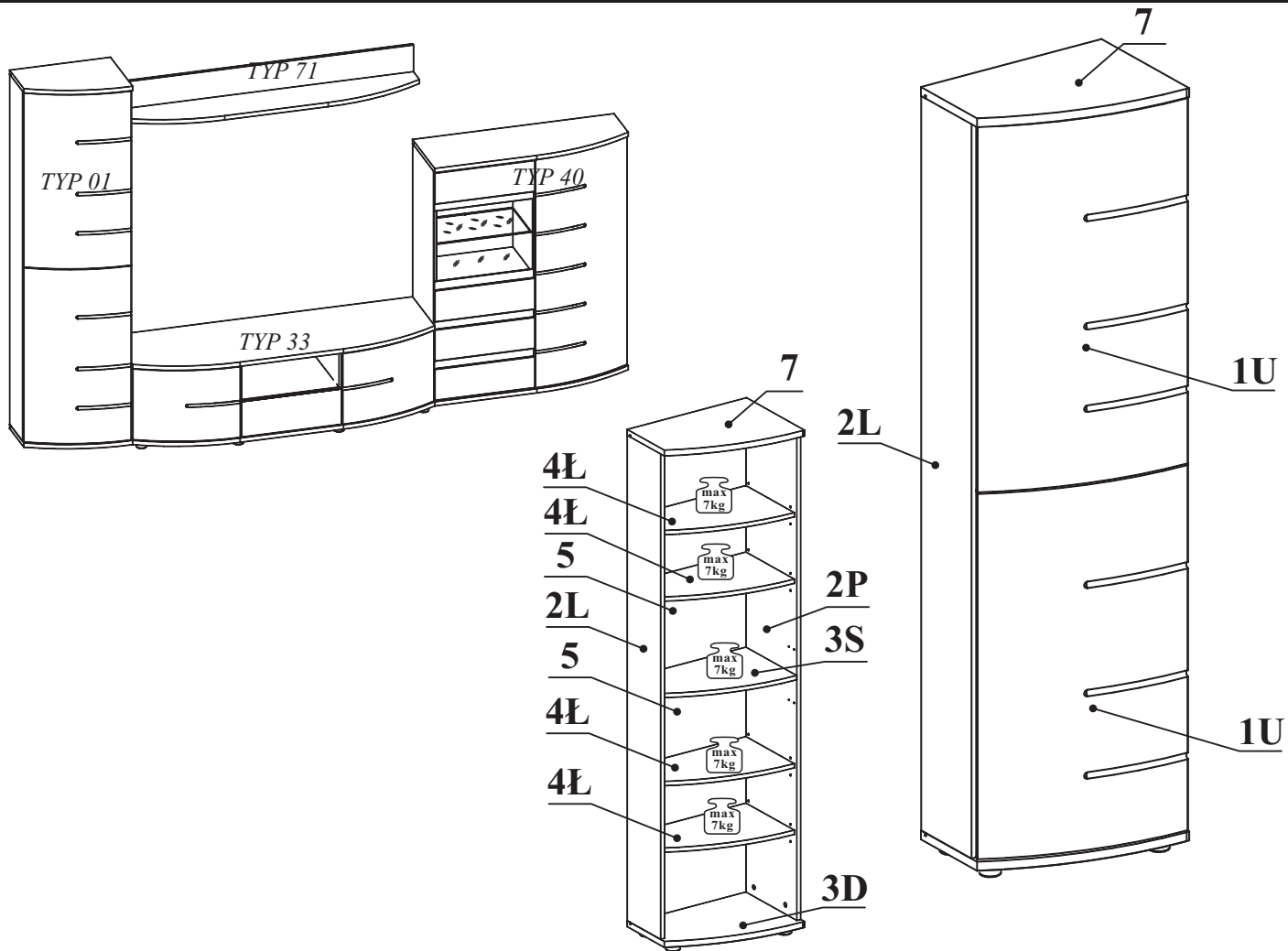
ABW ONTARIO I

TYPE-01

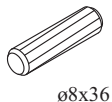
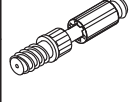


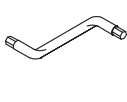

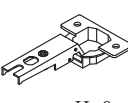
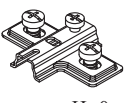


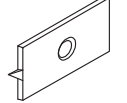
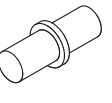
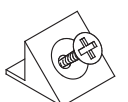

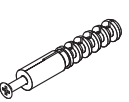
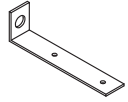
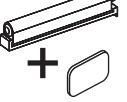
24...01

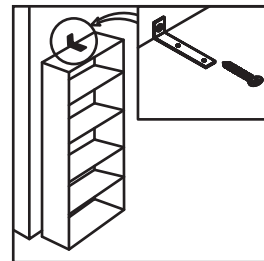
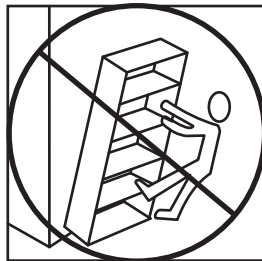
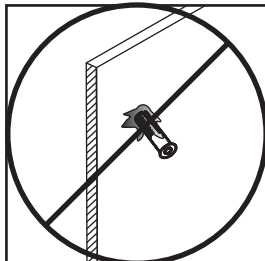
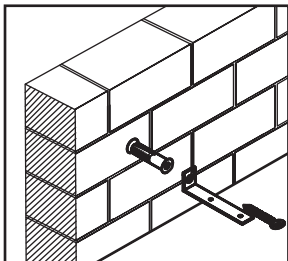
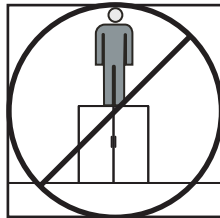
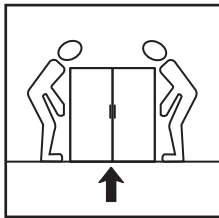
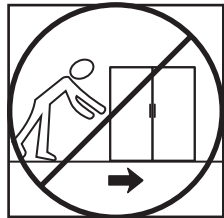
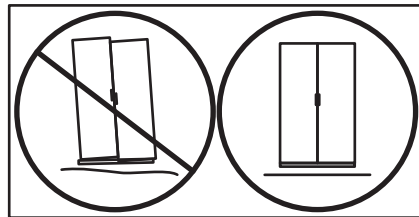
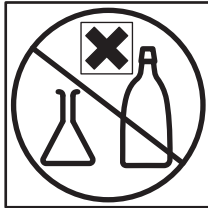
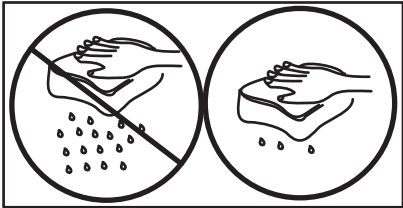
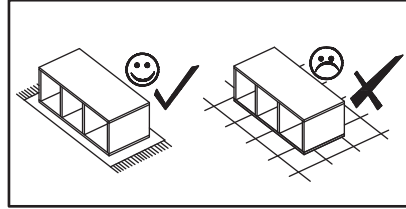
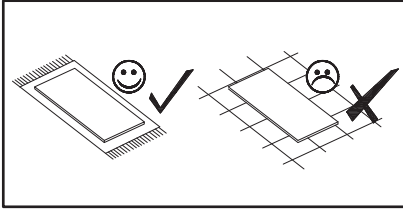
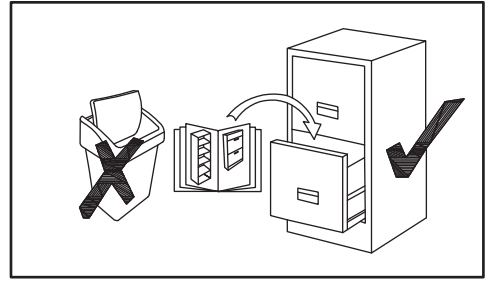
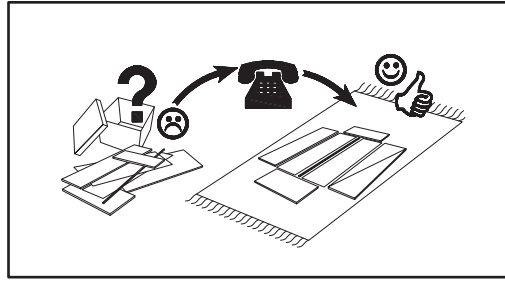
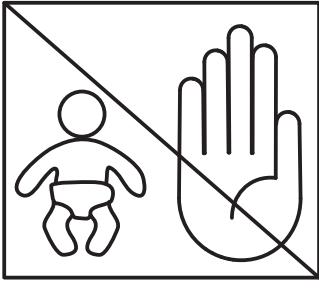
ABW ONTARIO II

24...02



90 min

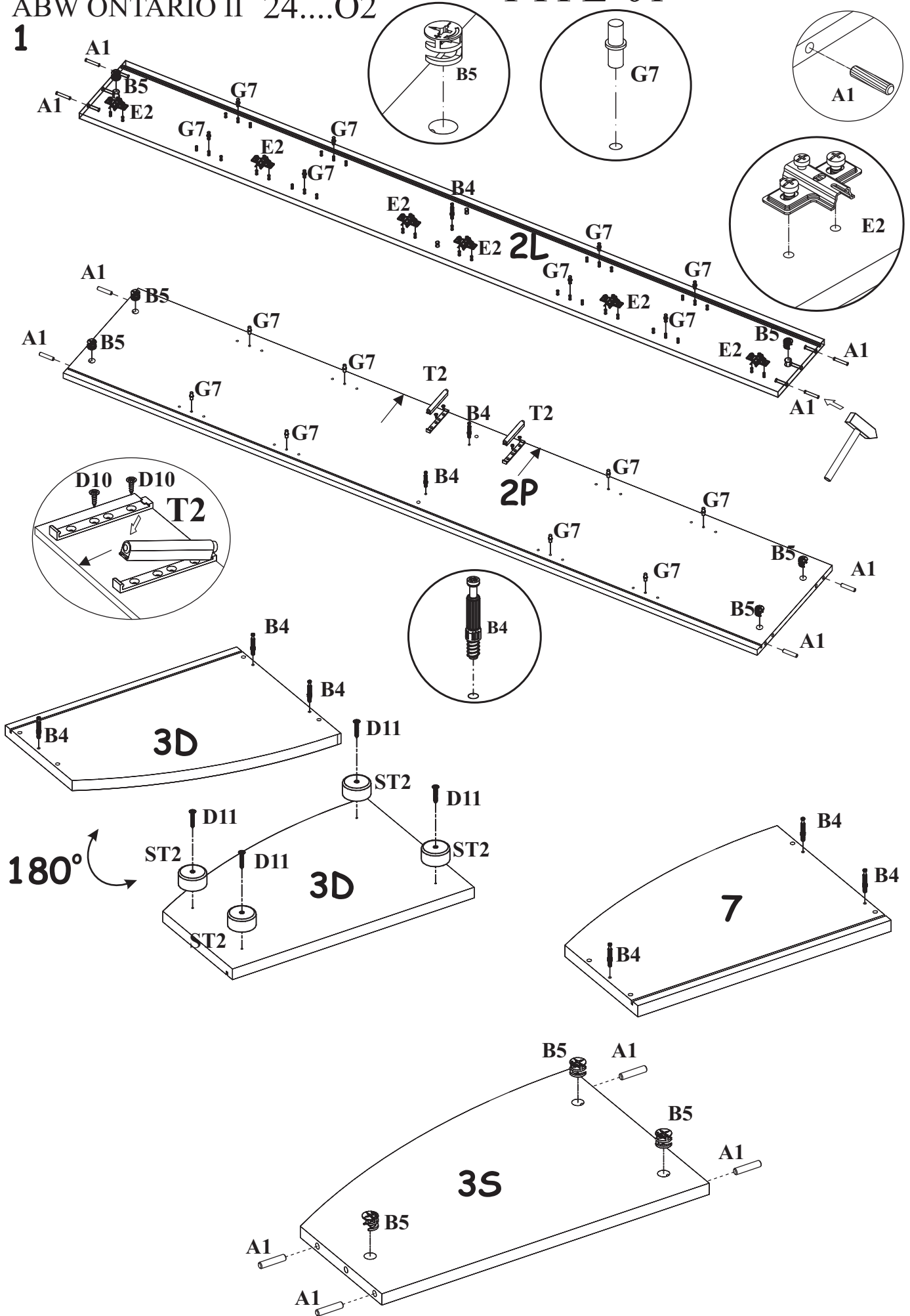
A1 X12  ø8x36	B4 X9 	B5 X9  ø15x12	G5 X9 	G2 X1 	D11 X4  USØ3,5x25
E1 X6  H=0	E2 X6  H=0	ST2 X4 	D9 X3  USØ3x20	G16 X3 	G7 X16 
S1 X14 	D10 X18  USØ3,5x13	KR1 X1 	L1 X1 	T2 X2  20x14	



ABW ONTARIO I 24...01
ABW ONTARIO II 24...02

TYPE-01

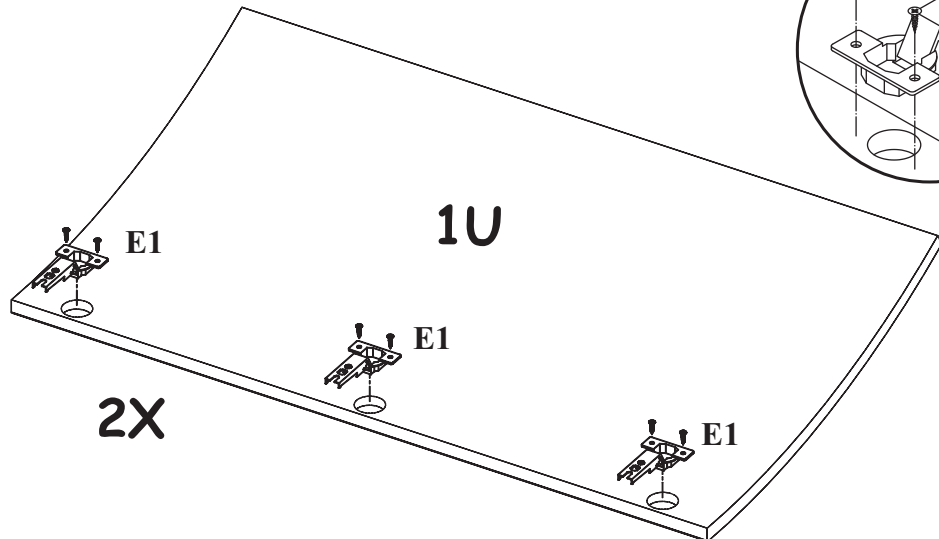
1



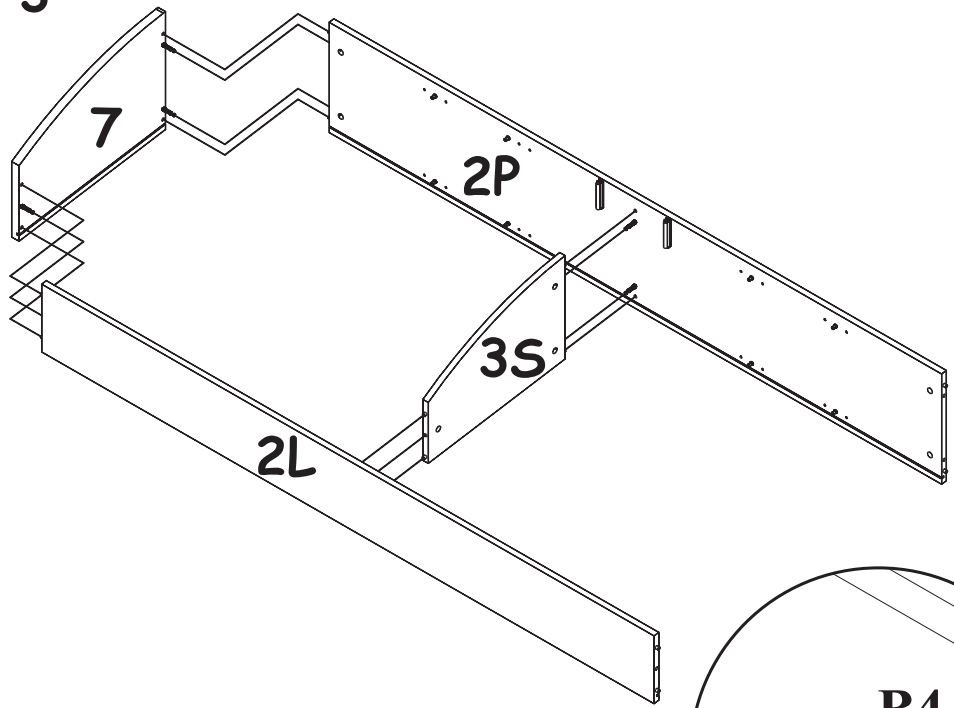
ABW ONTARIO I 24...O1
ABW ONTARIO II 24...O2

TYPE-01

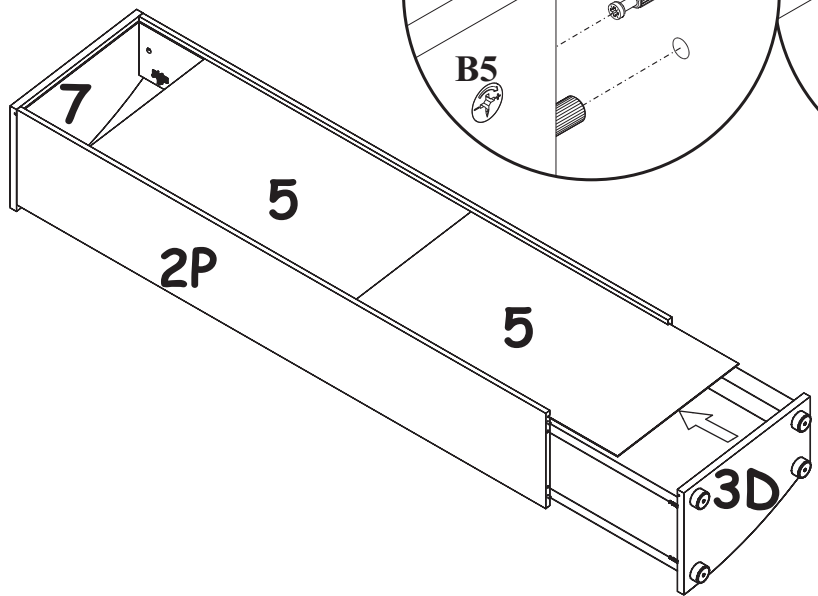
2



3



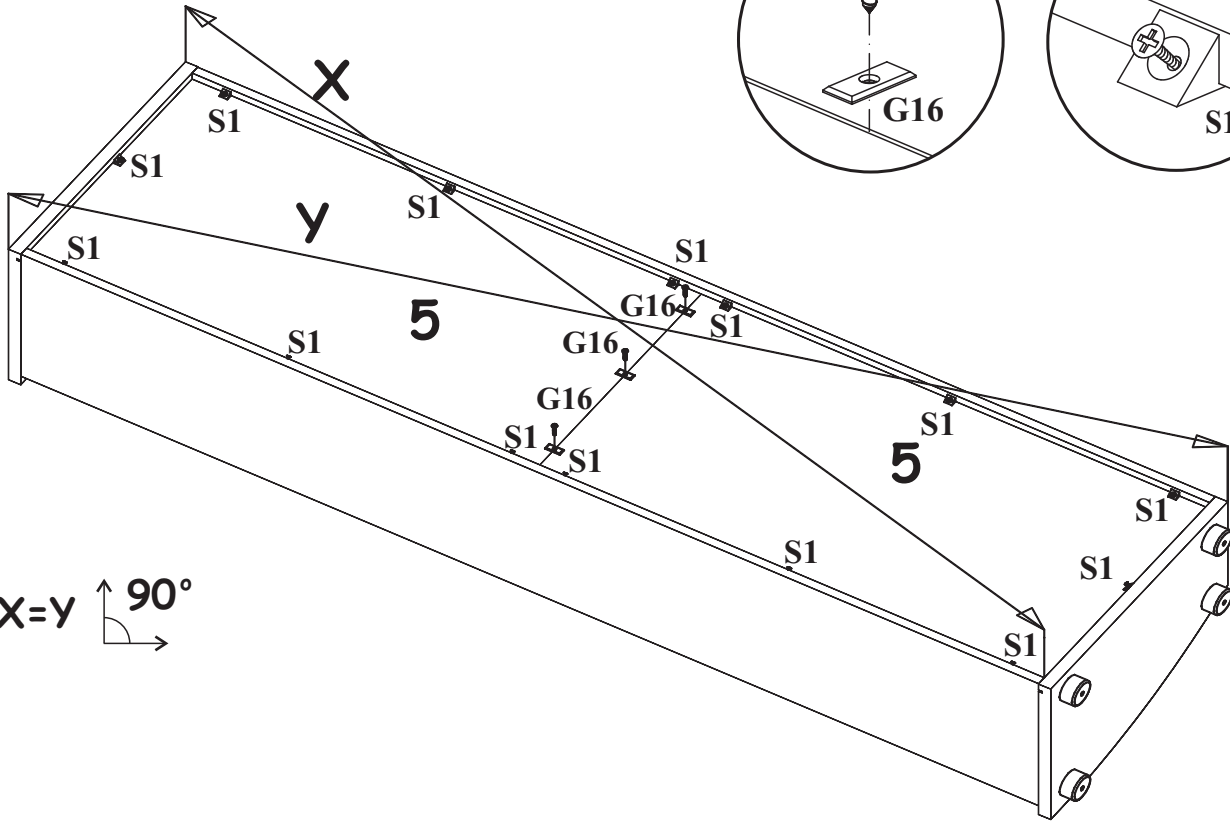
4



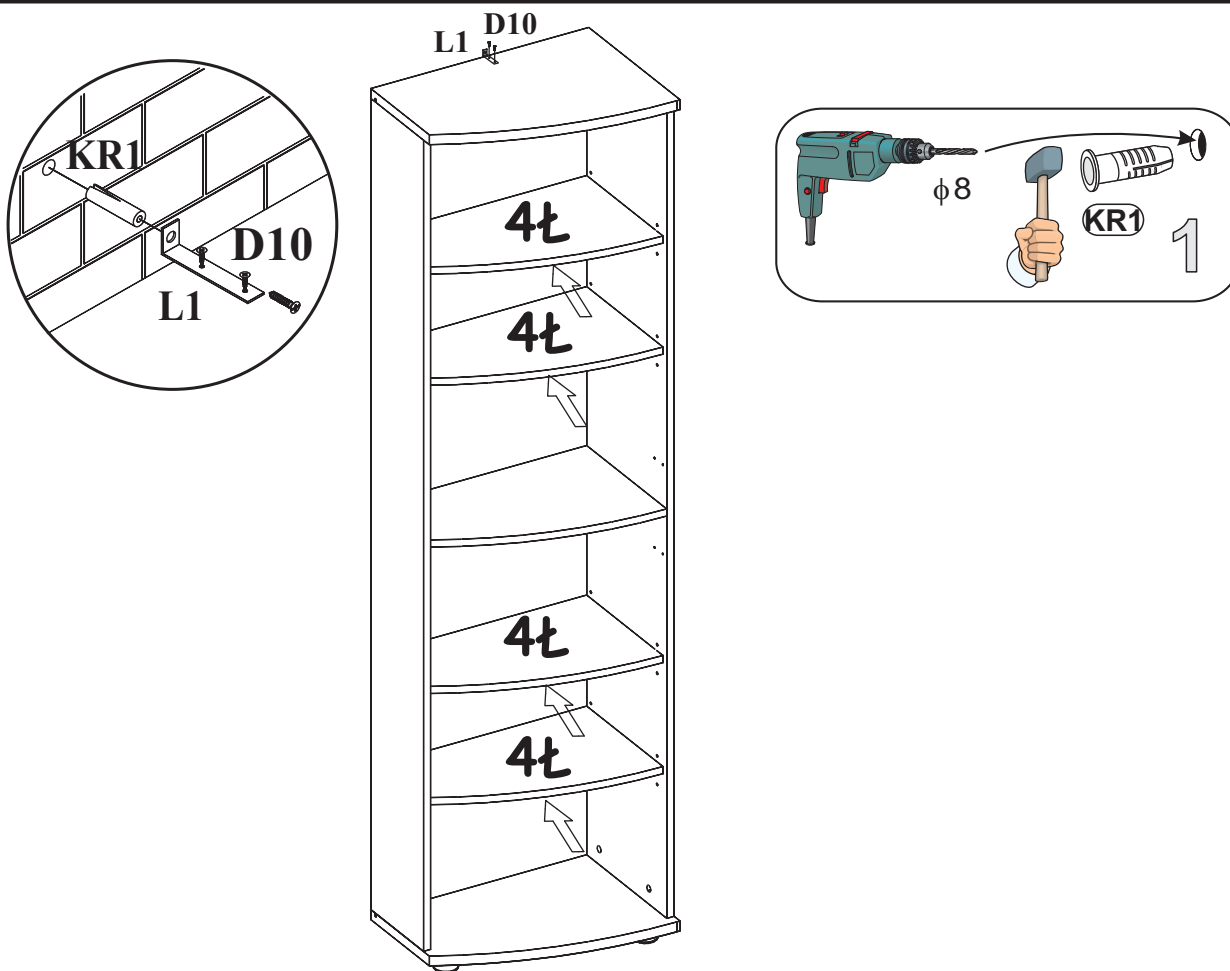
ABW ONTARIO I 24...O1
 ABW ONTARIO II 24...O2

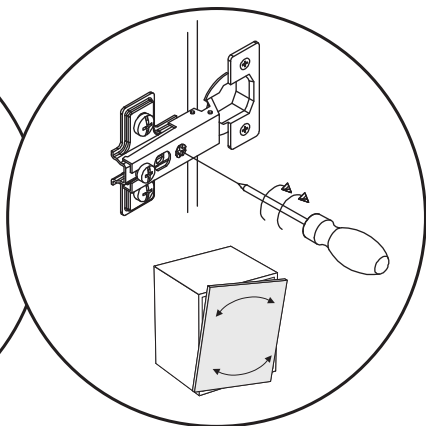
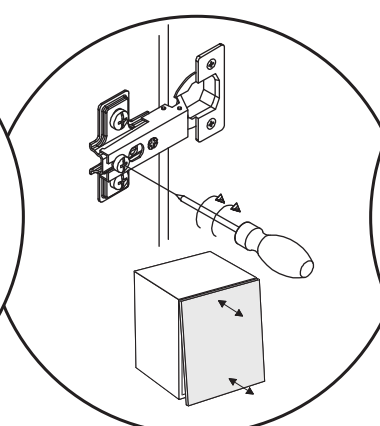
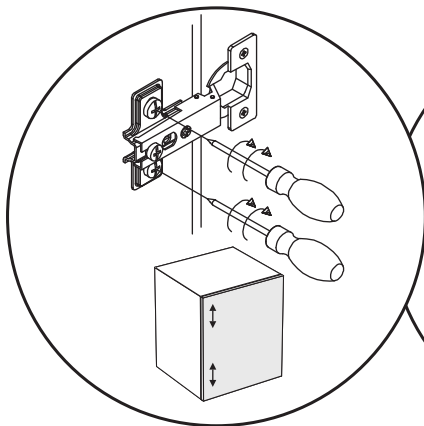
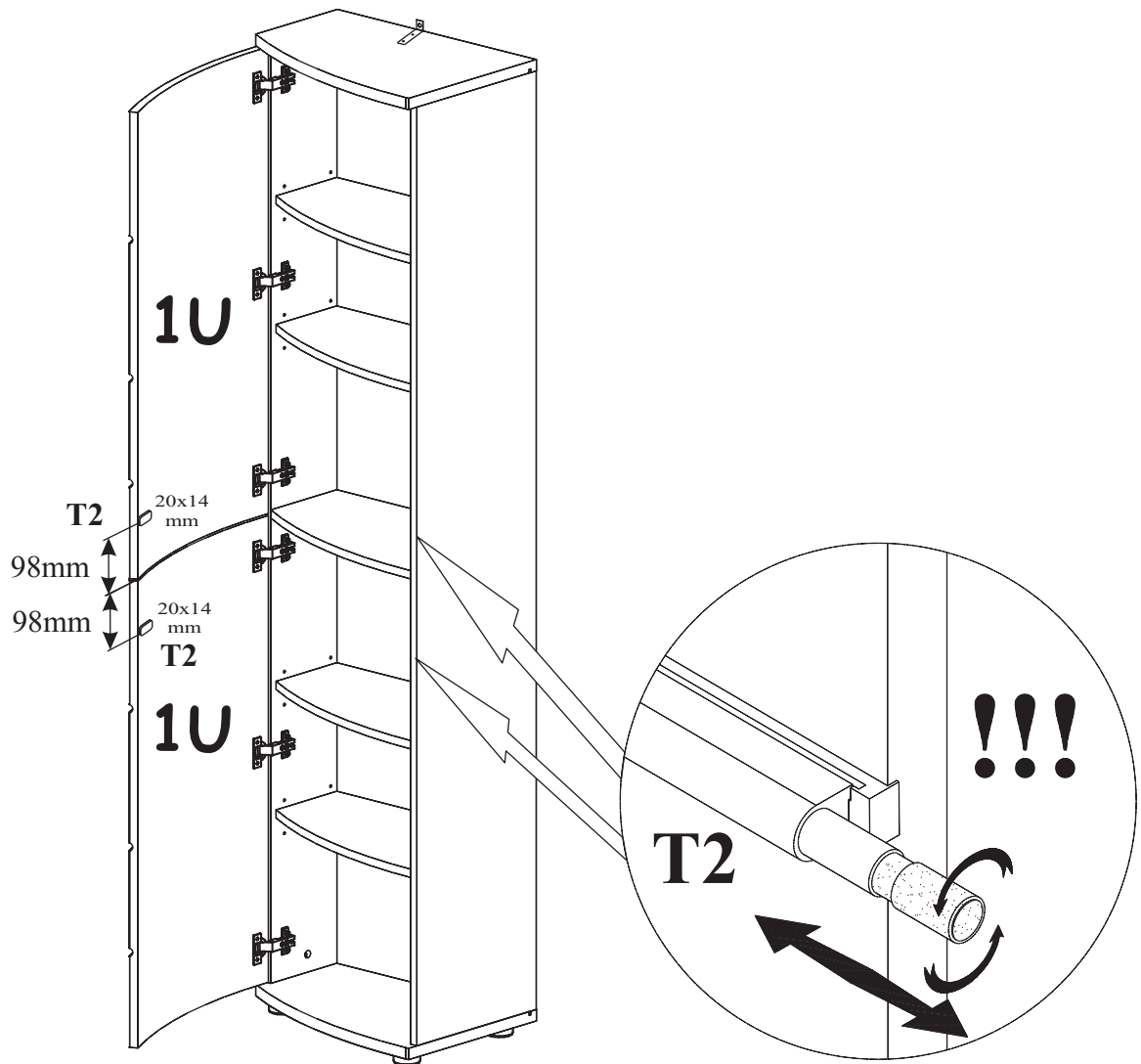
TYPE-01

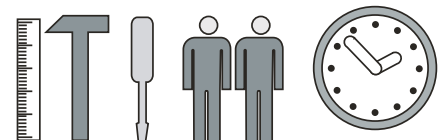
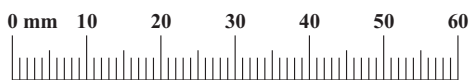
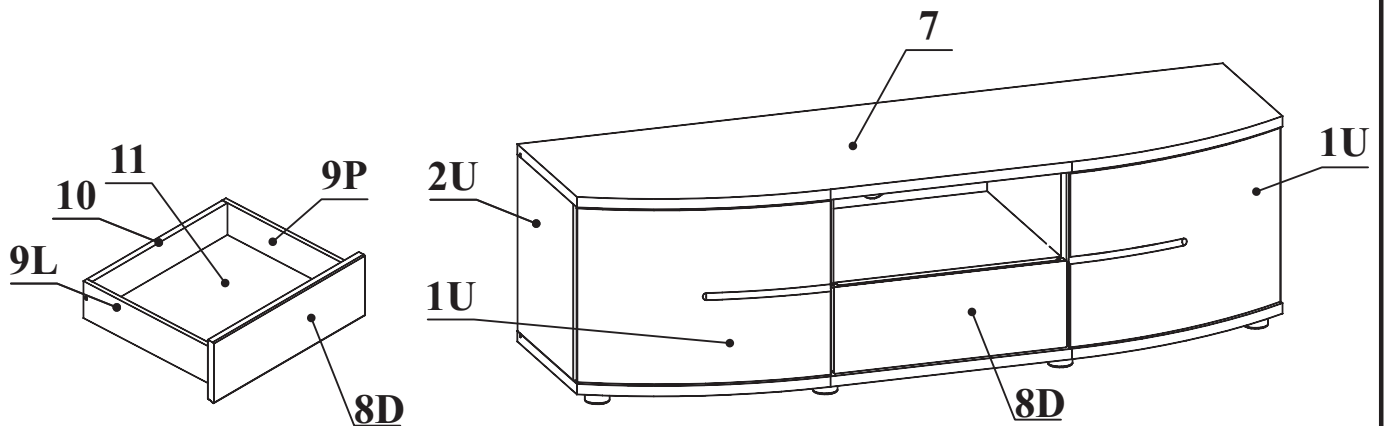
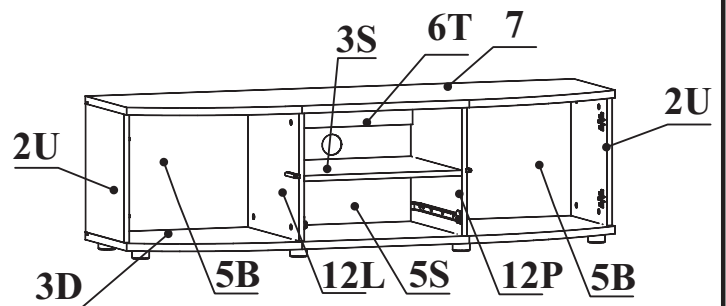
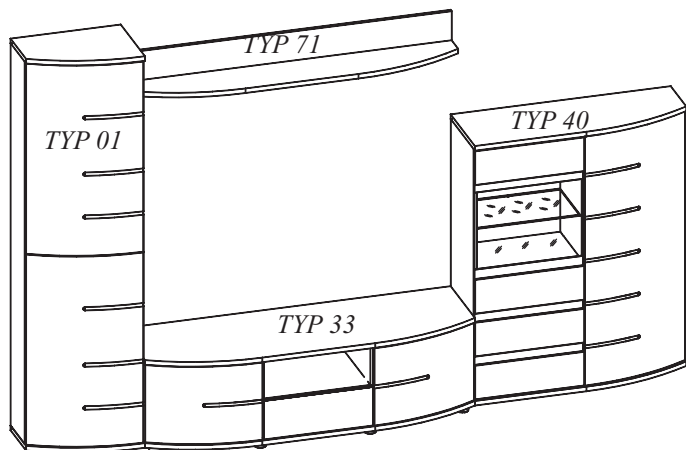
5



6

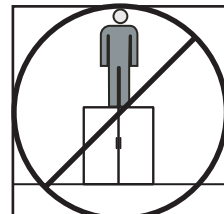
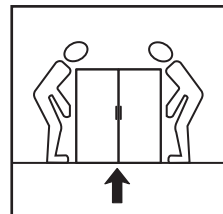
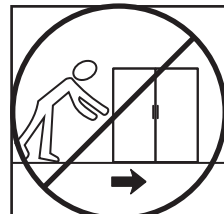
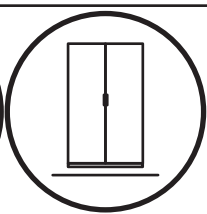
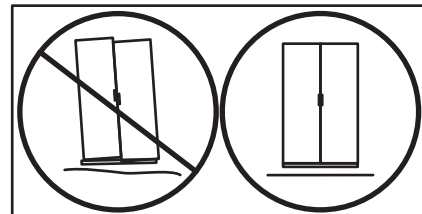
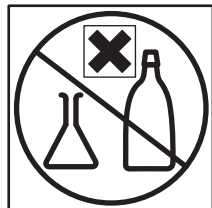
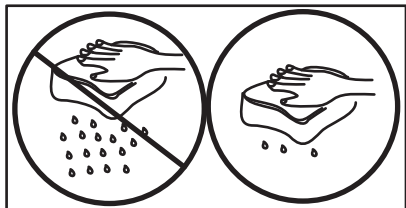
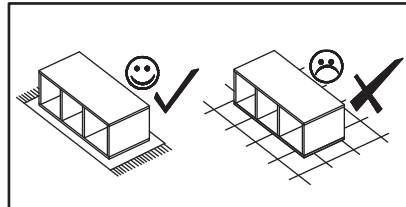
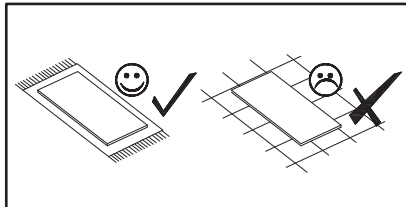
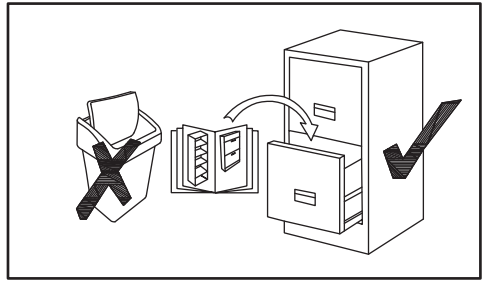
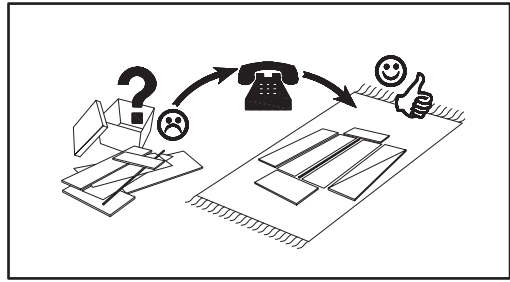
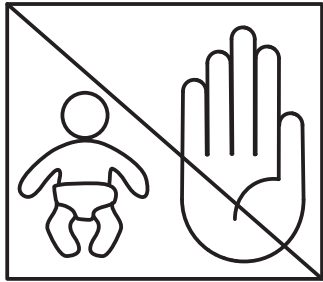




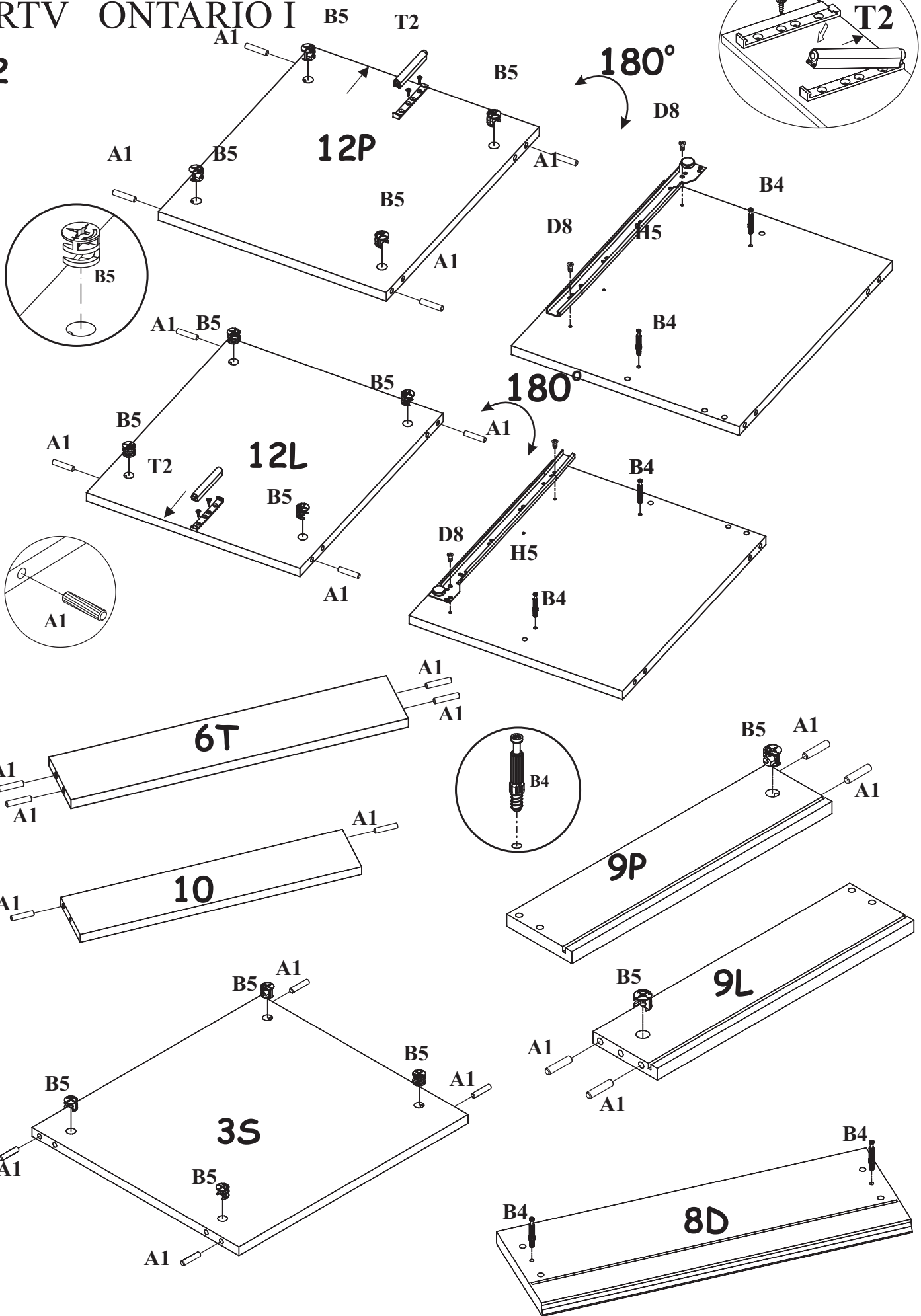
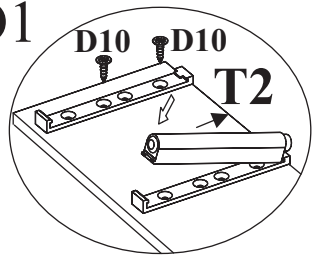


90 min

A1 X30 ø8x36	B4 X22	B5 X22 ø15x12	H5 X1	G5 X22	D11 X8 USØ3,5x25
E1 X4 H=0	E2 X4 H=0	ST2 X8	D9 X4 USØ3x20	G16 X4	D27 X4 EsØ5x13
S1 X16	D10 X16 USØ3,5x13	G2 X1	UP13 X3 UPØ3x16	T2 X2 20x14	B11 X2 Ø7x50
G4 X2	G18 X1				



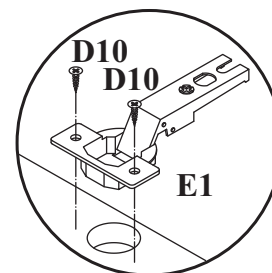
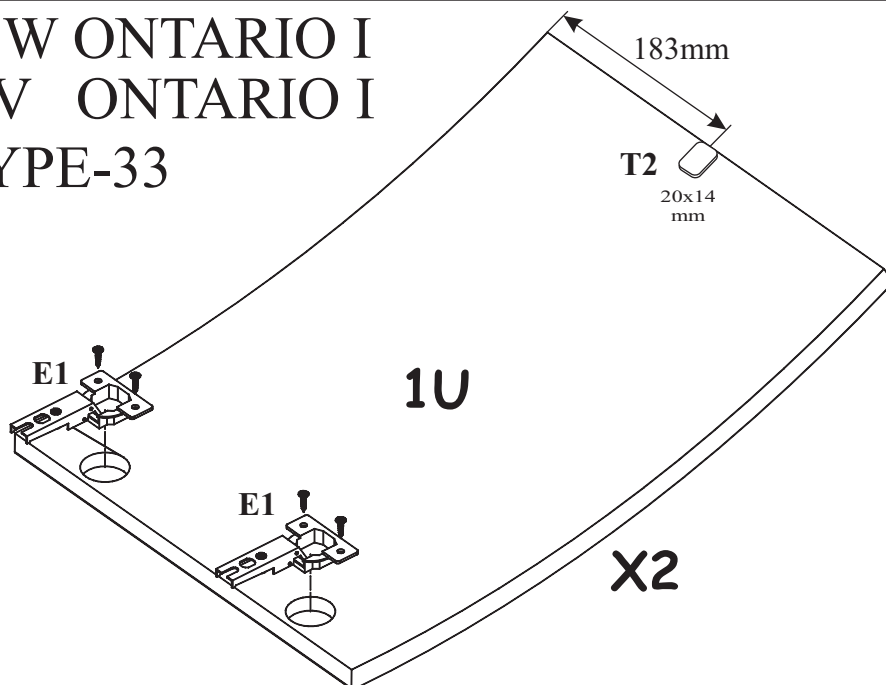
2



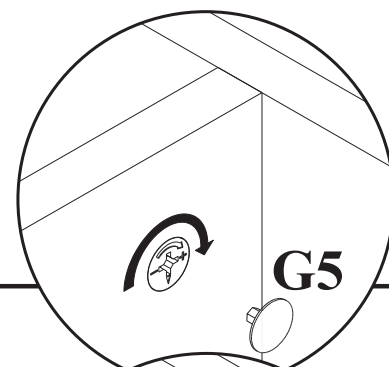
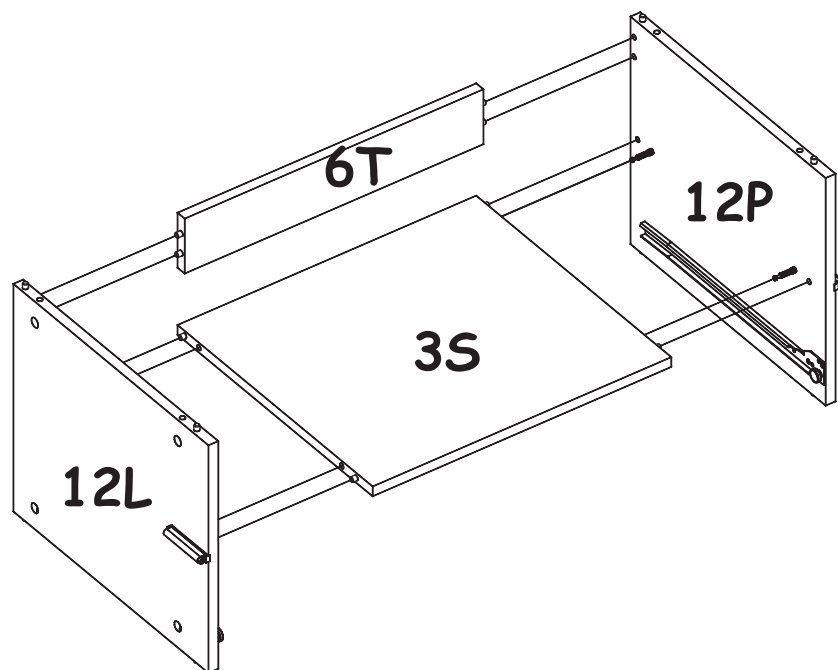
ABW ONTARIO I
RTV ONTARIO I
TYPE-33

24...01

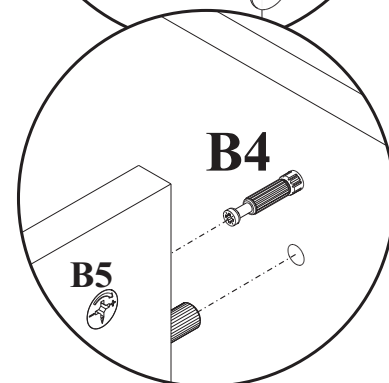
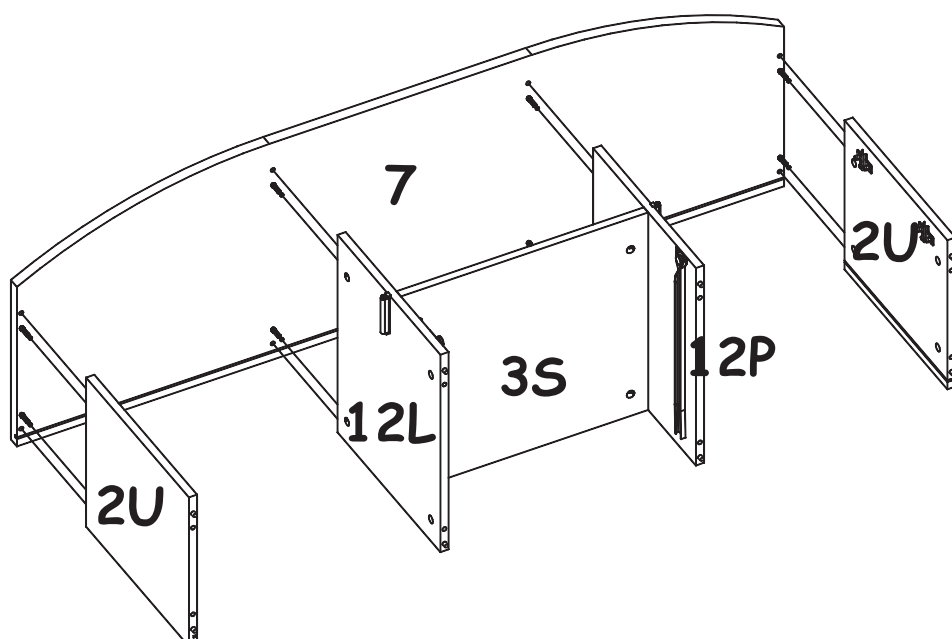
3



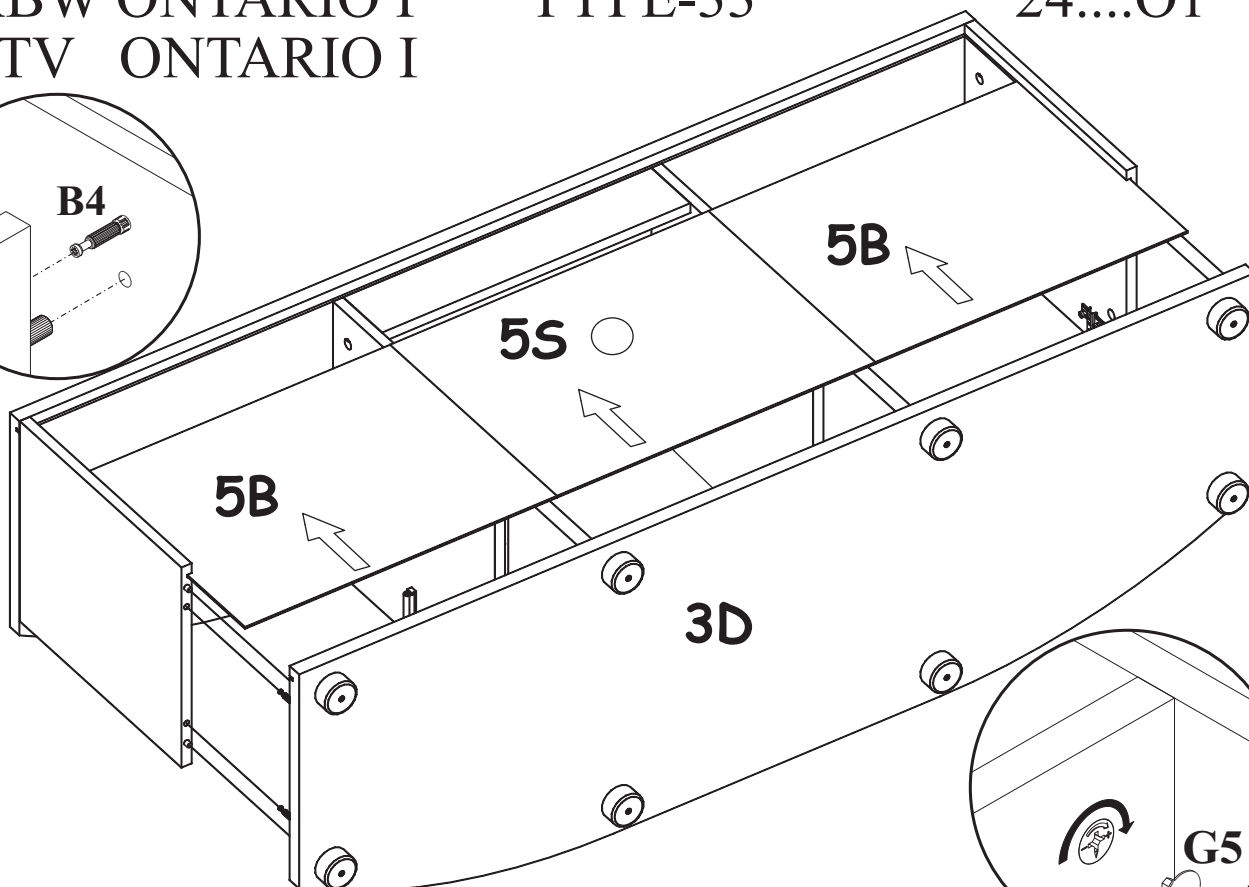
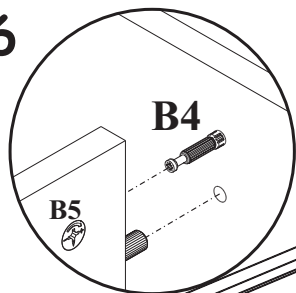
4



5

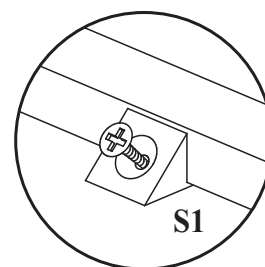
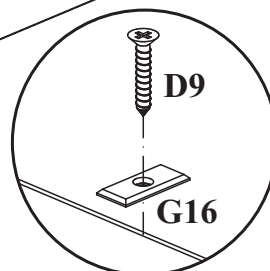
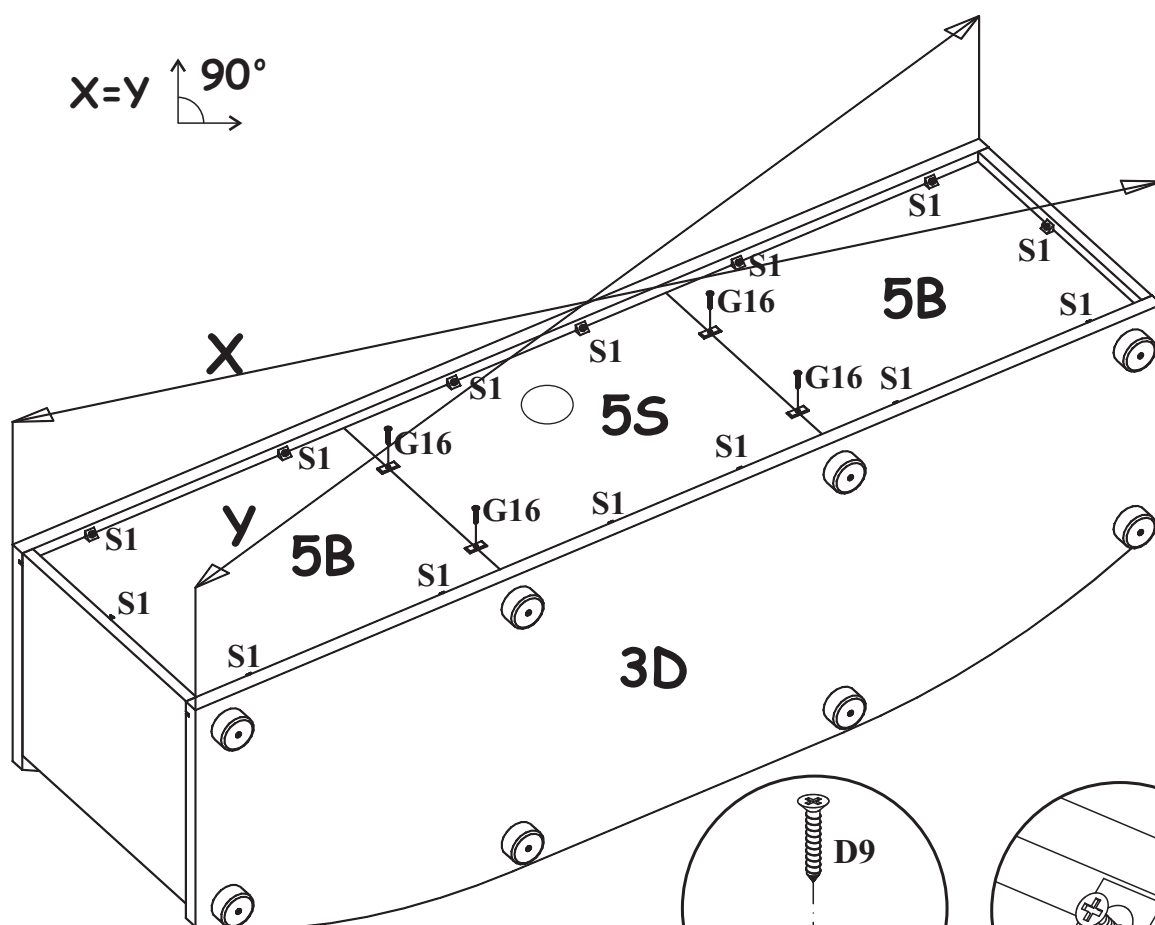


6



7

$X=Y$ 90°

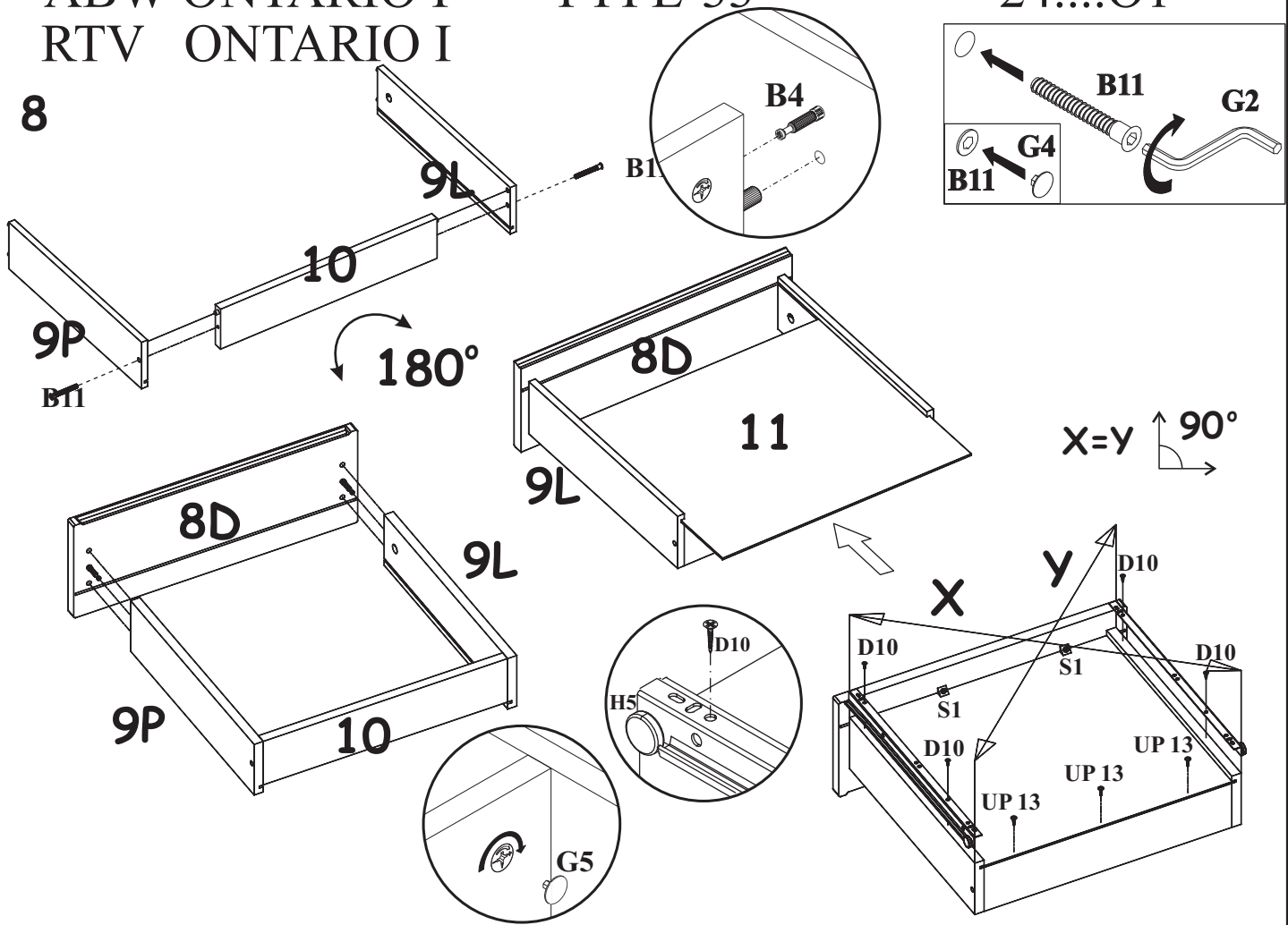


ABW ONTARIO I
RTV ONTARIO I

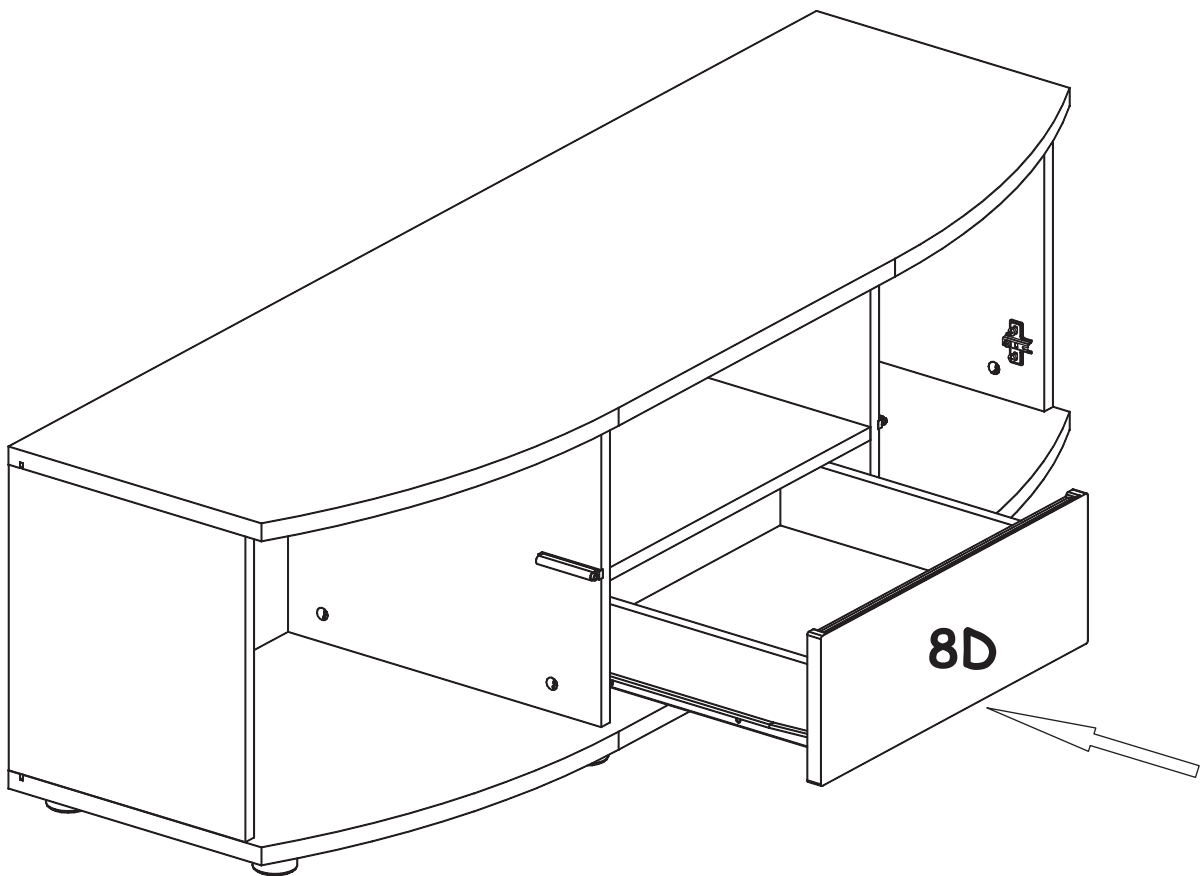
TYPE-33

24...O1

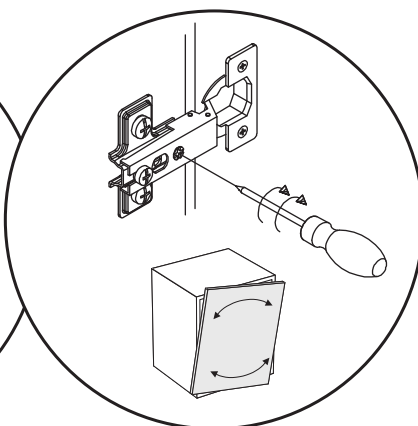
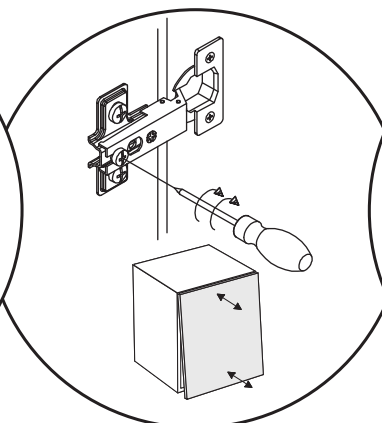
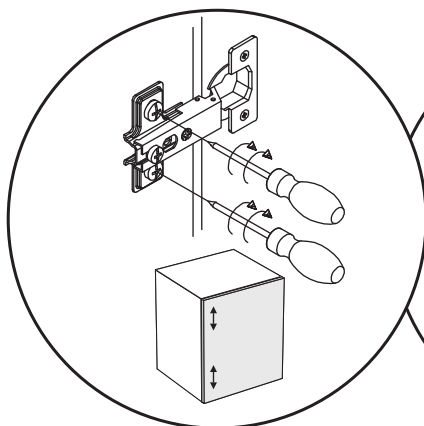
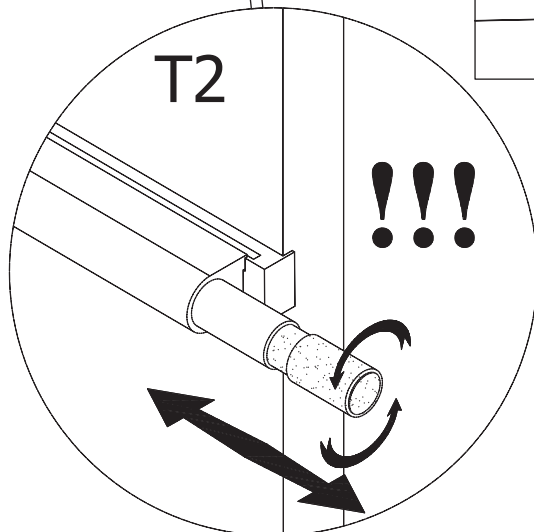
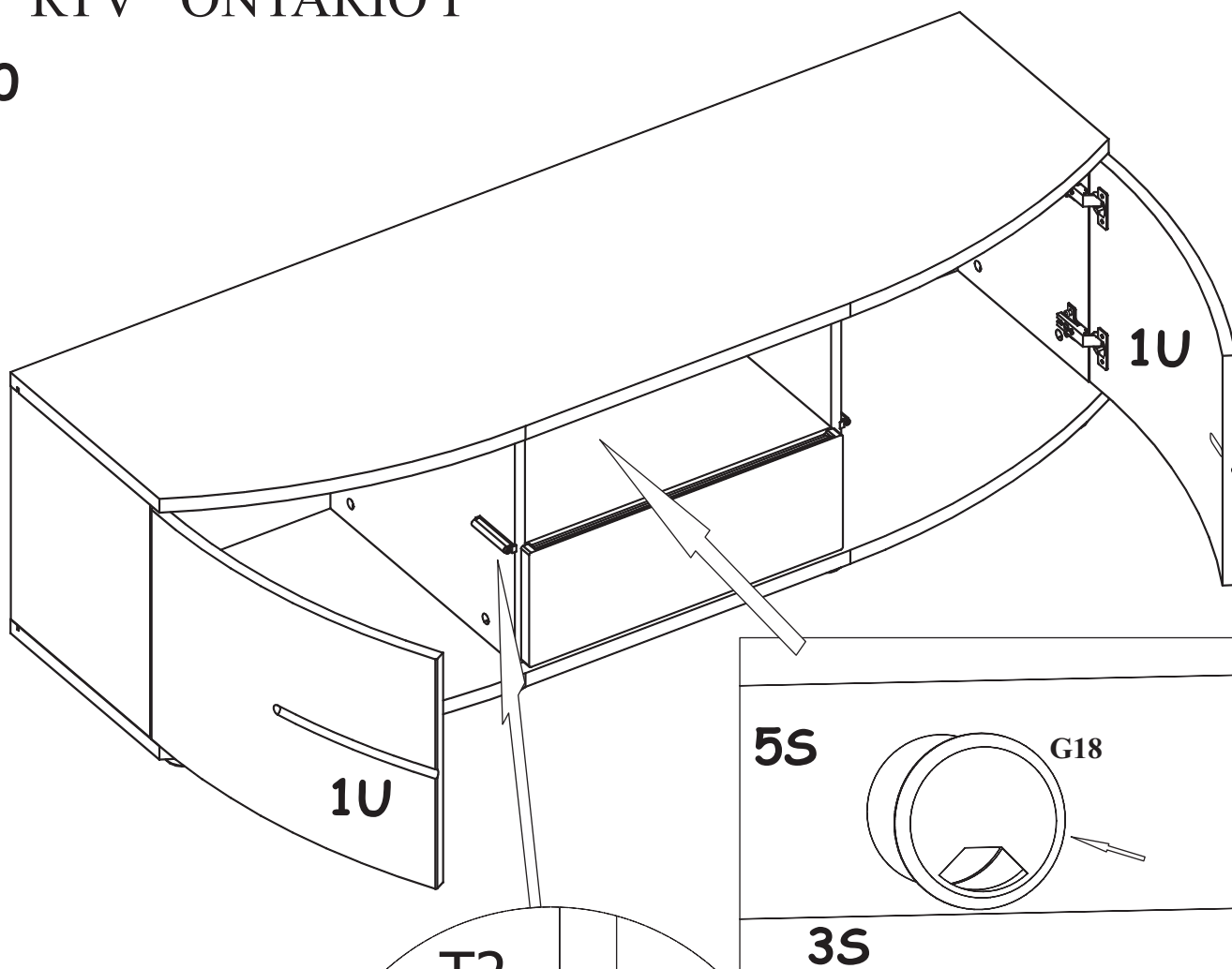
8

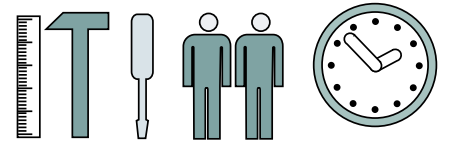
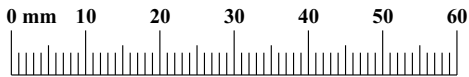
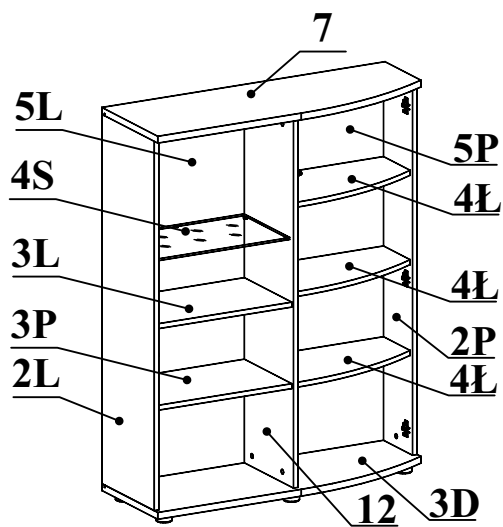
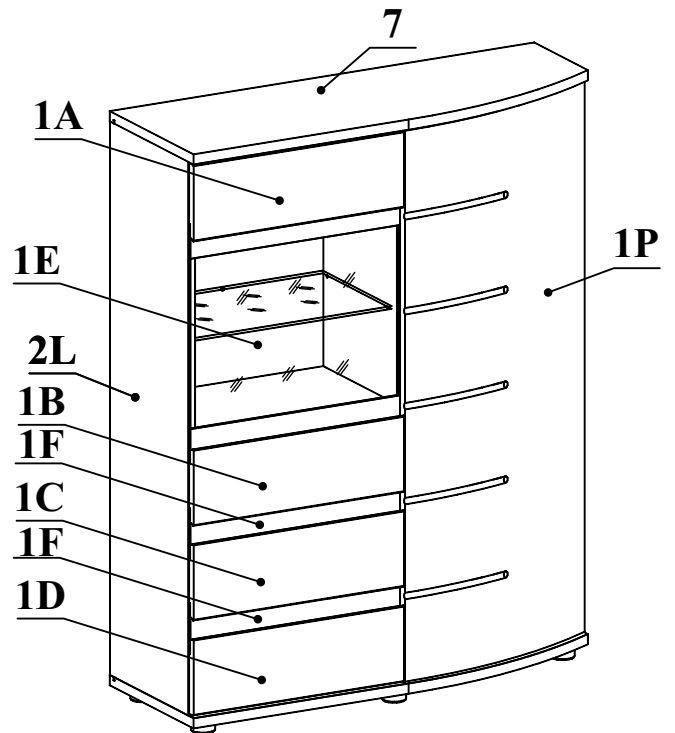
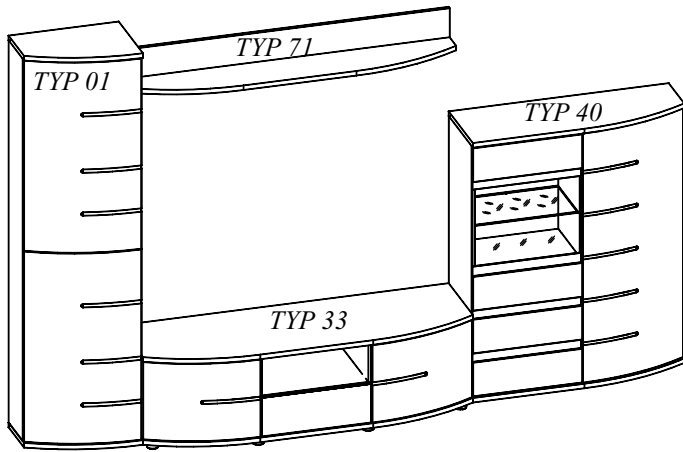


9

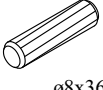
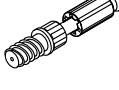

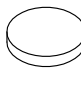


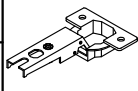
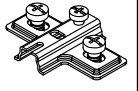

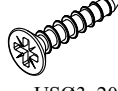
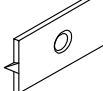
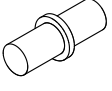
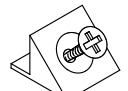
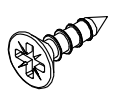

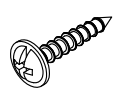
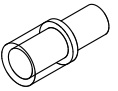

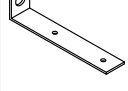
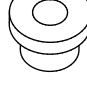



10





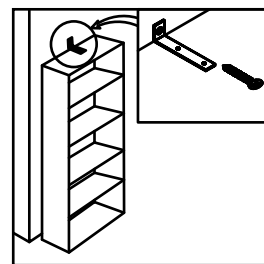
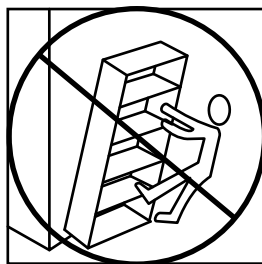
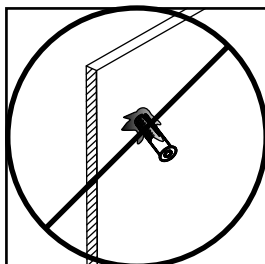
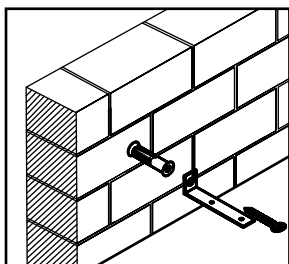
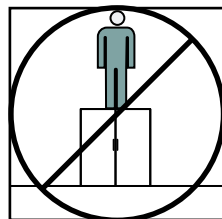
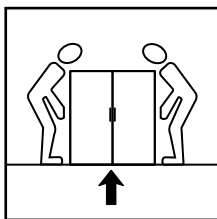
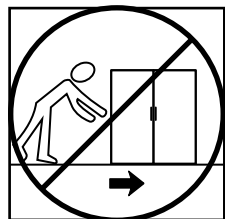
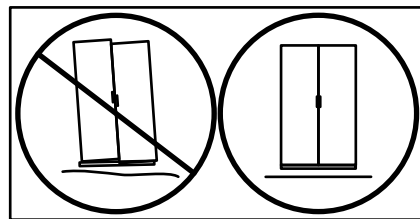
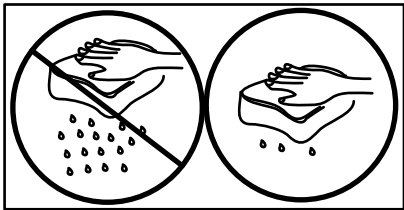
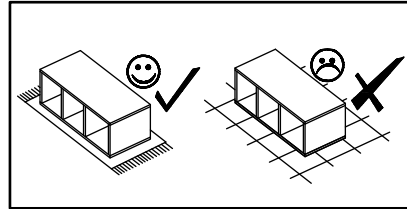
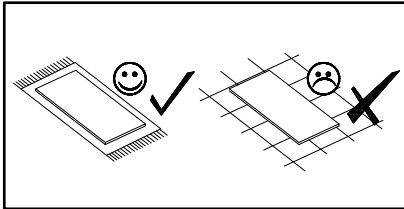
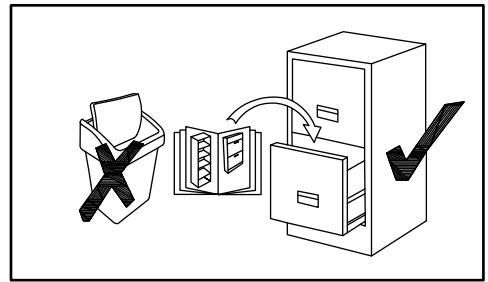
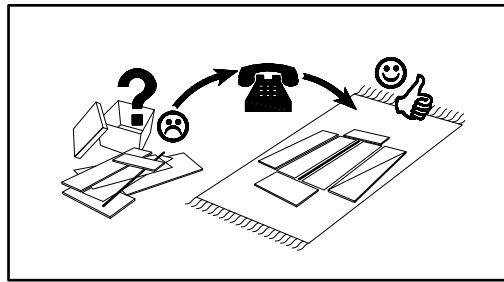
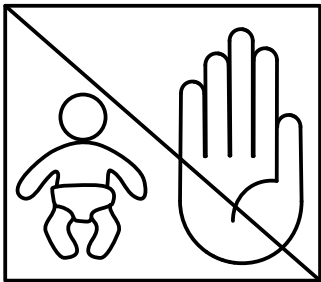
90 min

A1 X16  ø8x36	B4 X14 	B5 X14  ø15x12	P3 X2 	G5 X14 	D11 X6  USØ3,5x25
E1 X6  H=0	E2 X6  H=0	ST2 X6 	D9 X8  USØ3x20	G16 X8 	G7 X16 
S1 X16 	D10 X16  USØ3,5x13	G2 X1 	UP13 X18  UPØ3x16	G20 X4 	
KR1 X1 	L1 X1 	P2 X18 	T2 X1  20x14		

ABW ONTARIO I
ABW ONTARIO II

TYPE-40

24...O1
24...O2

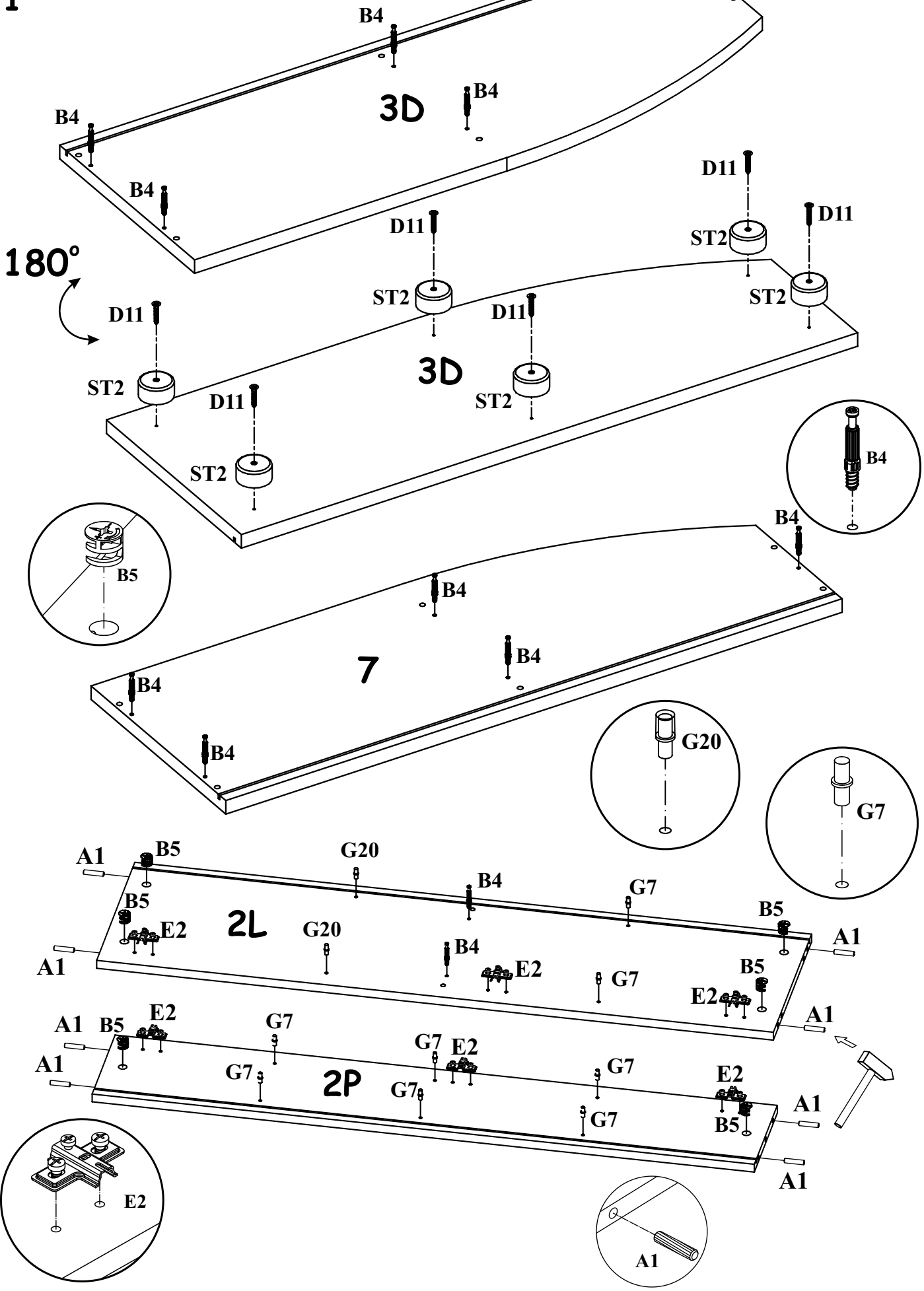


ABW ONTARIO I
ABW ONTARIO II

TYPE-40

24....O1
24....O2

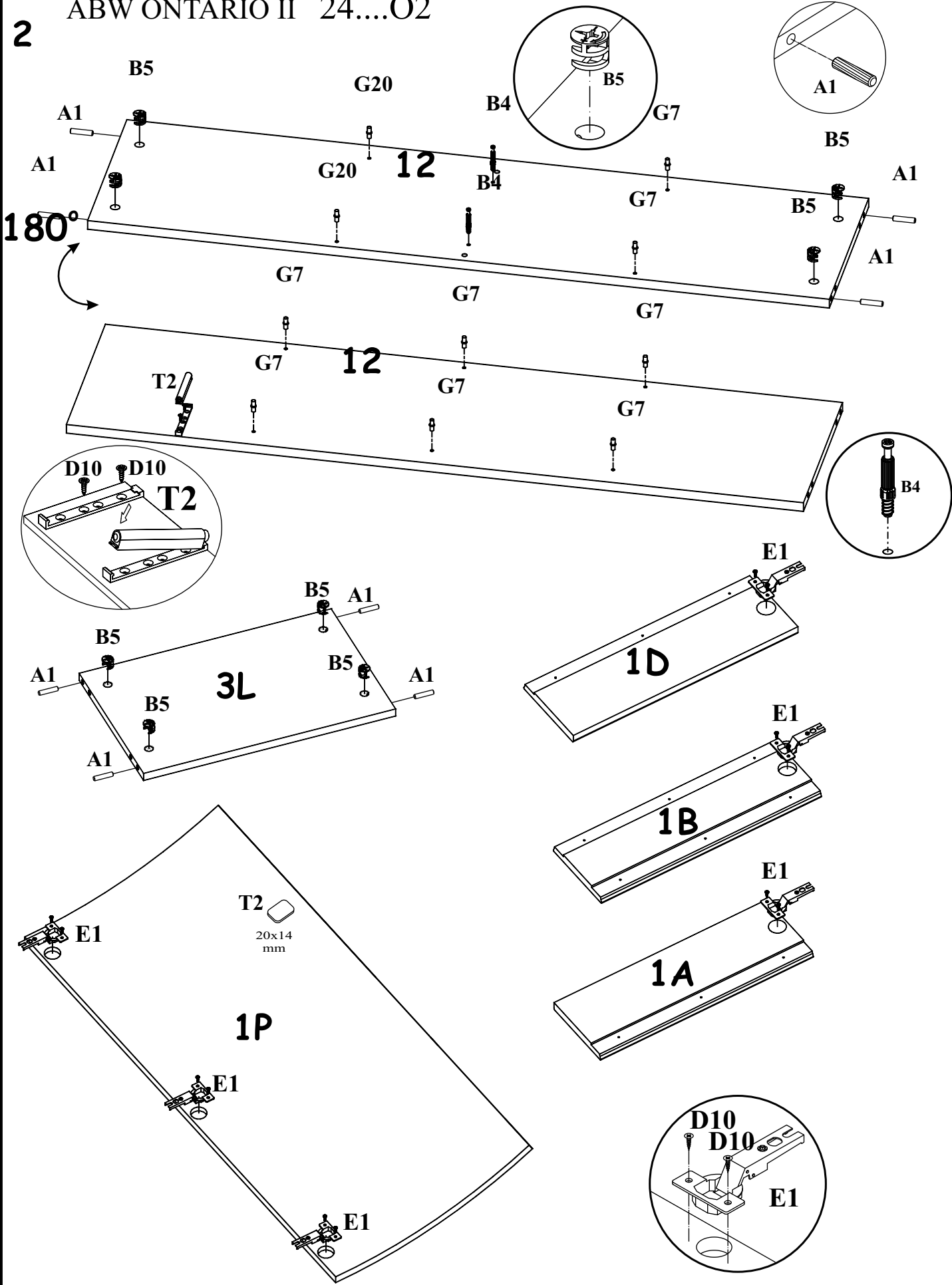
1



ABW ONTARIO I 24...O1
ABW ONTARIO II 24...O2

TYPE-40

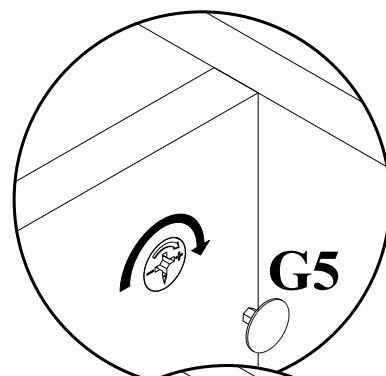
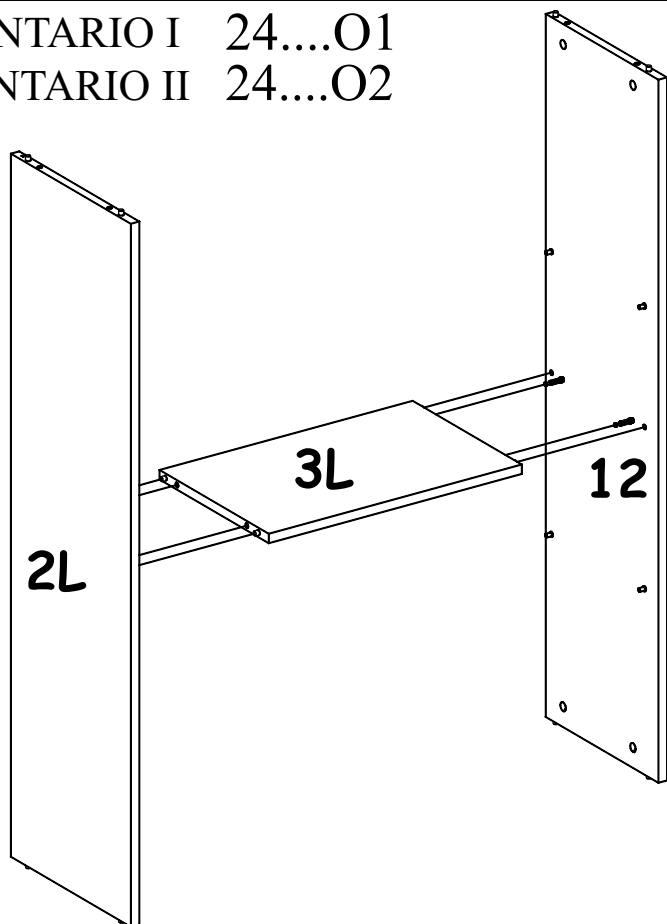
2



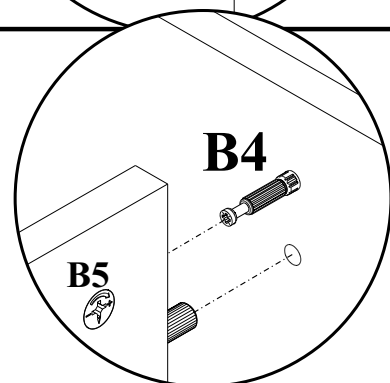
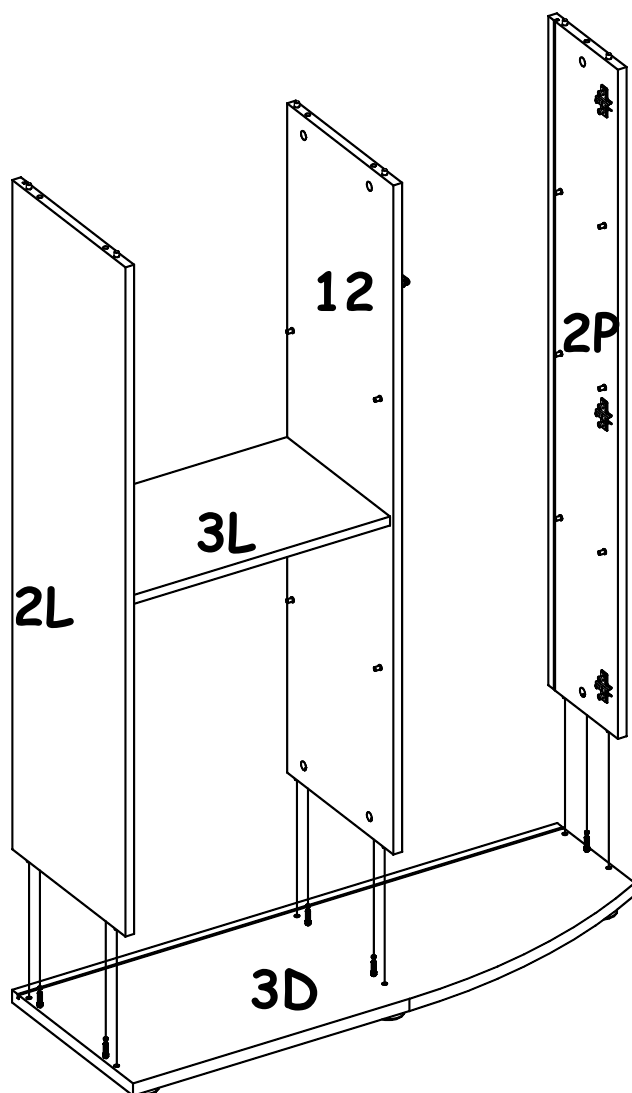
ABW ONTARIO I 24....O1
ABW ONTARIO II 24....O2

TYPE-40

3



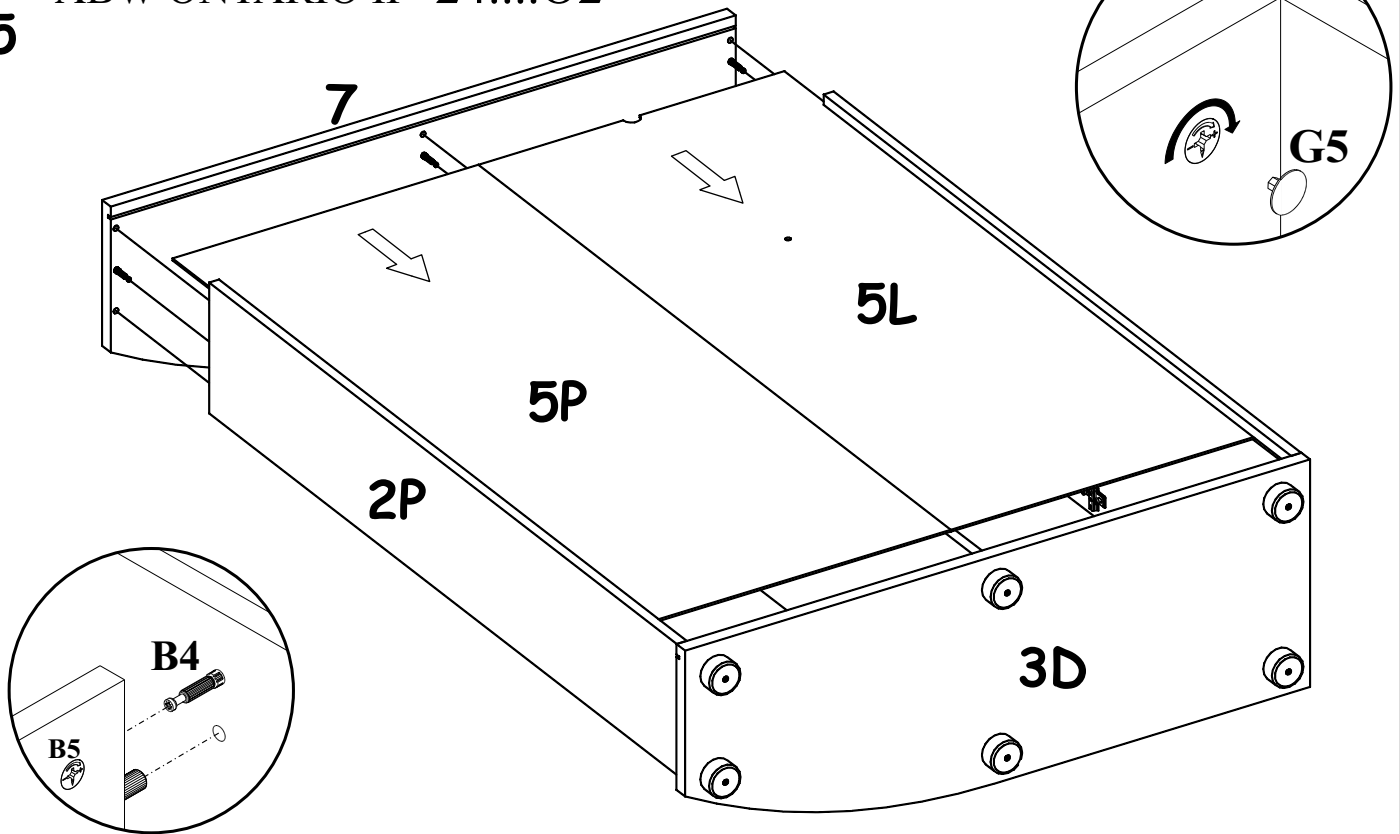
4



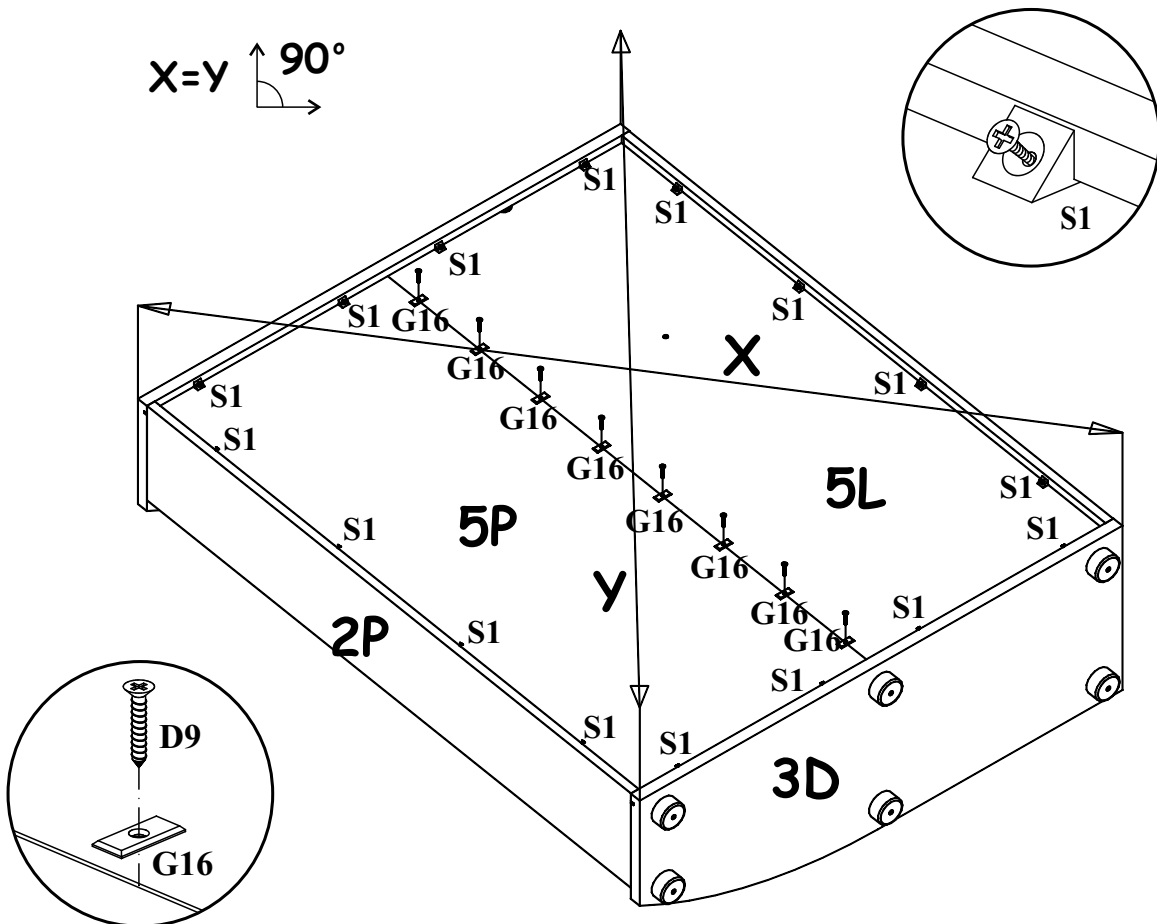
ABW ONTARIO I 24...01
ABW ONTARIO II 24...02

TYPE-40

5



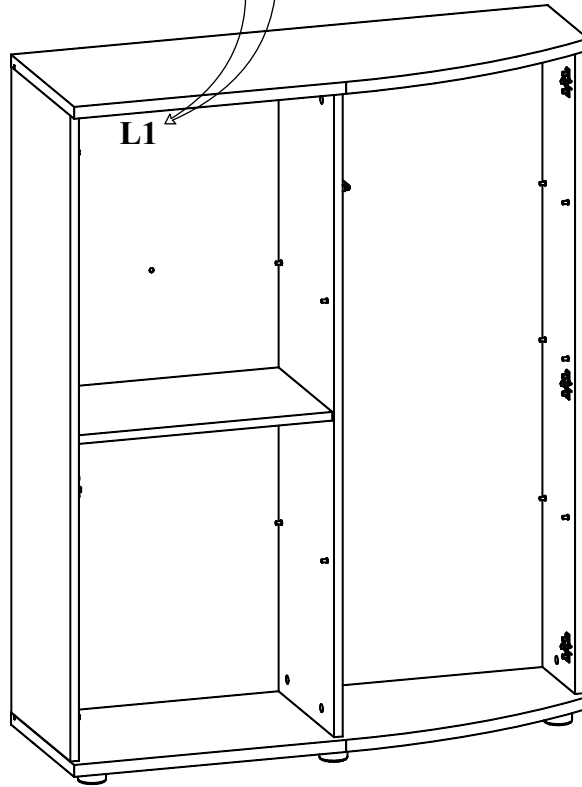
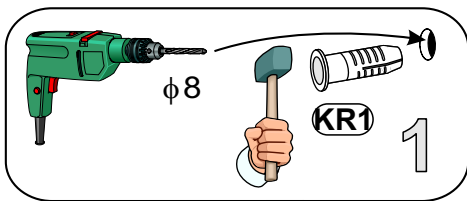
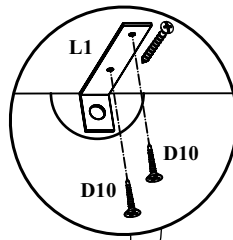
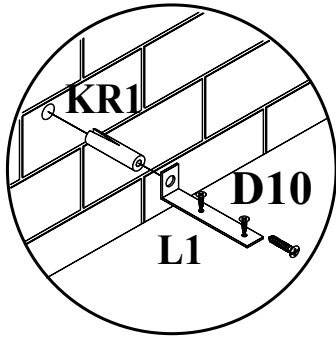
6



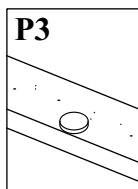
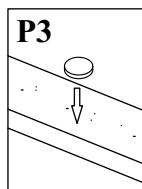
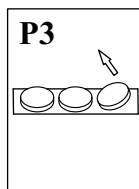
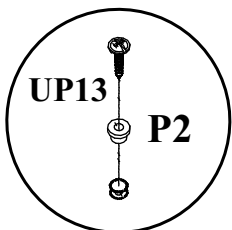
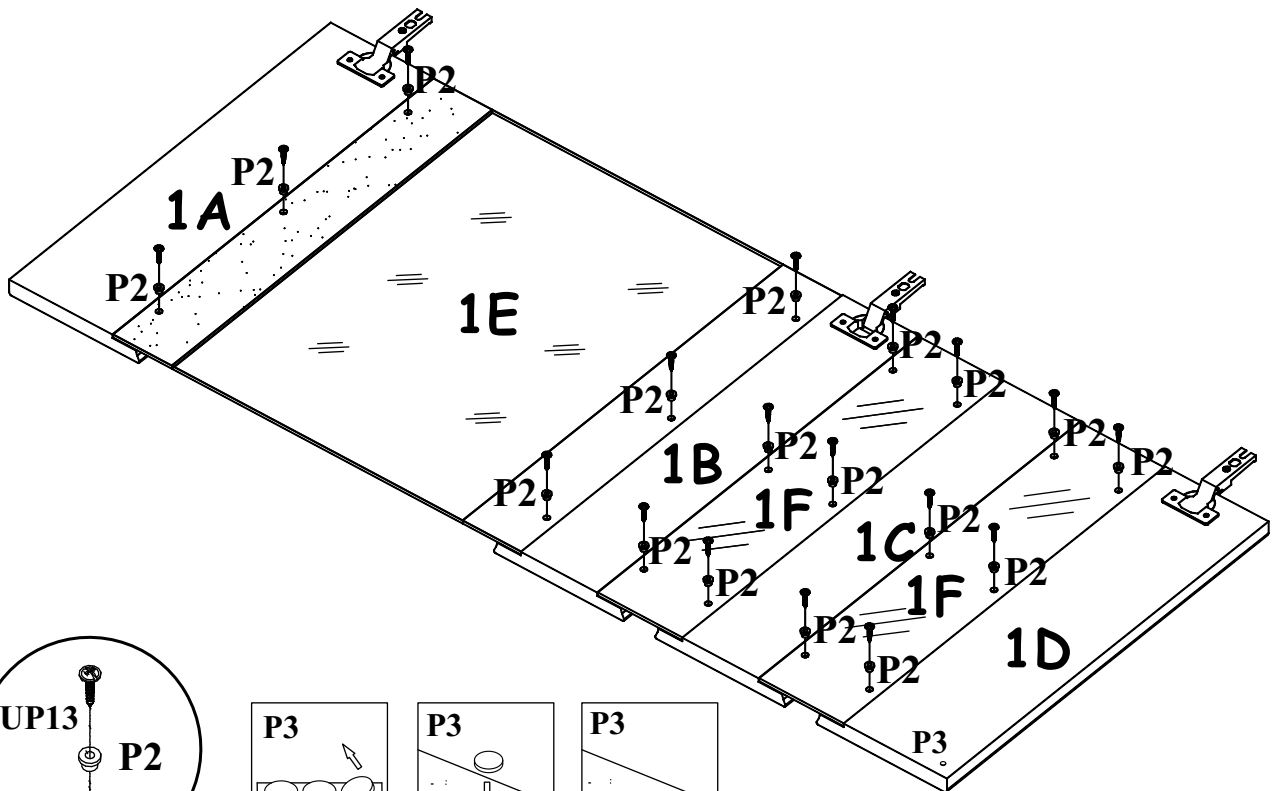
ABW ONTARIO I 24...O1
 ABW ONTARIO II 24...O2

TYPE-40

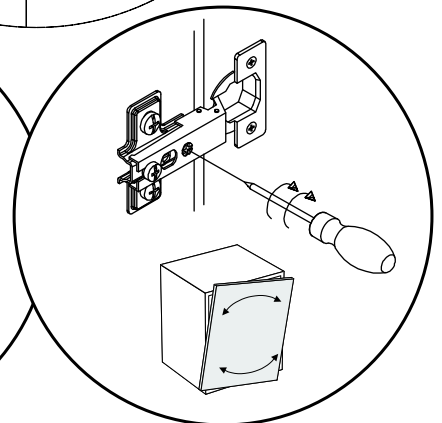
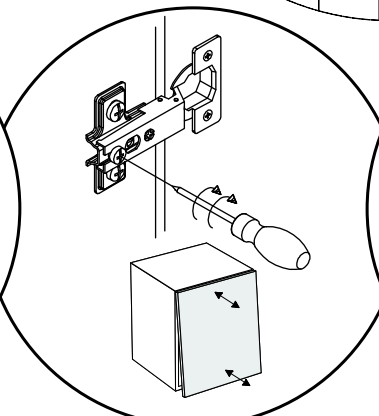
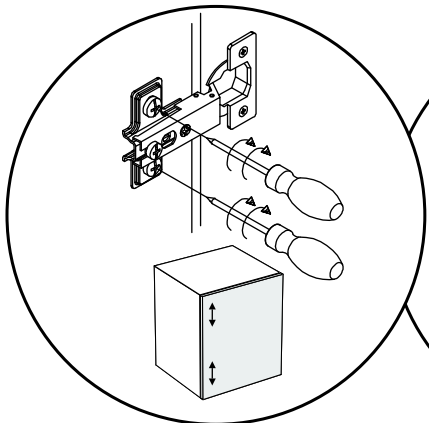
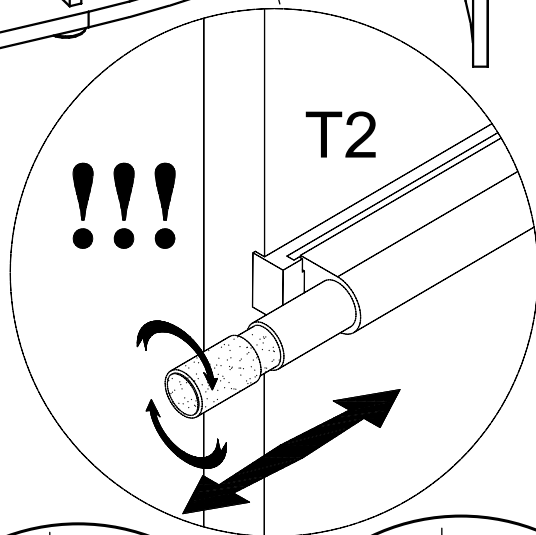
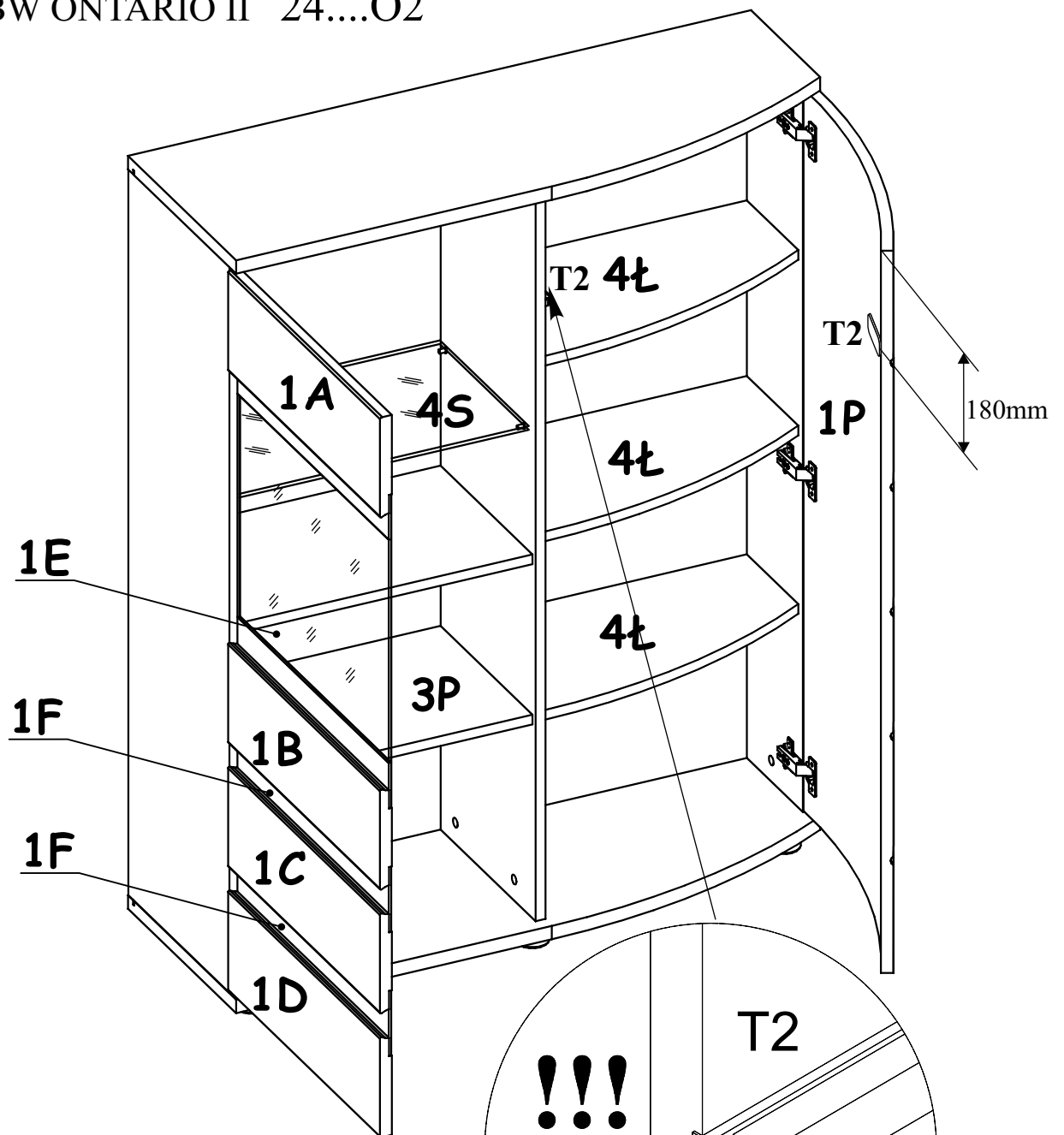
7

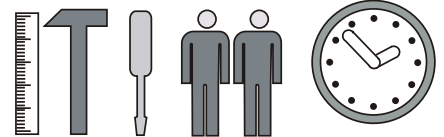
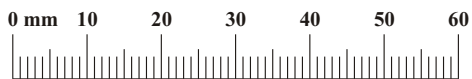
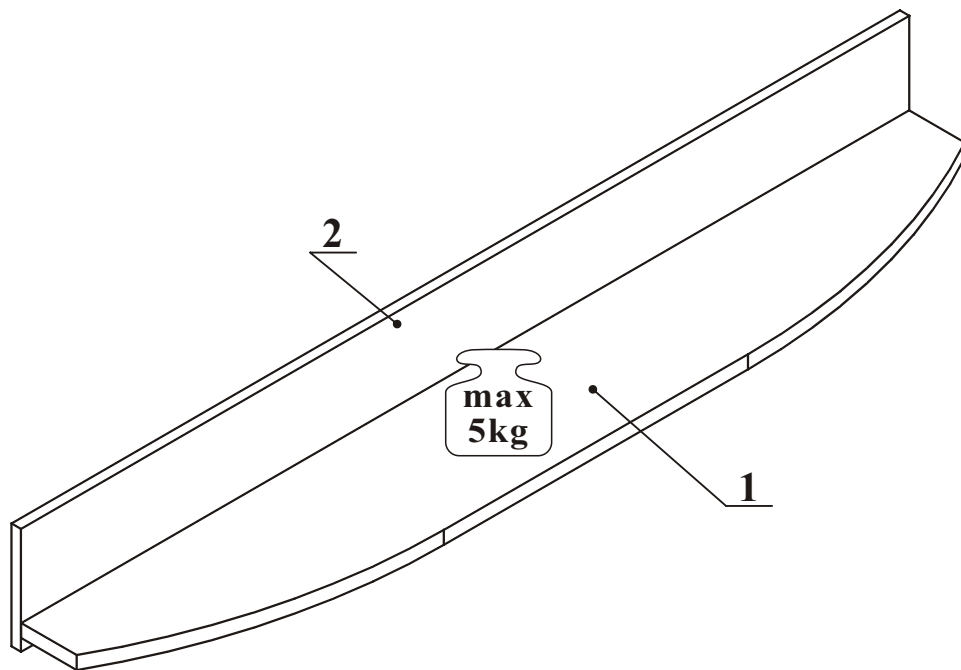
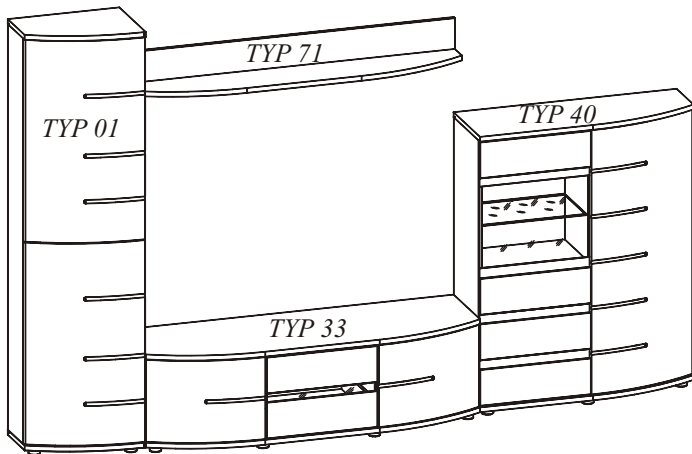


8



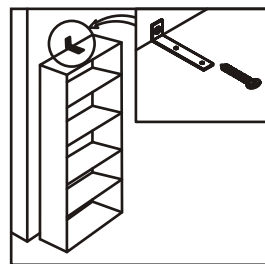
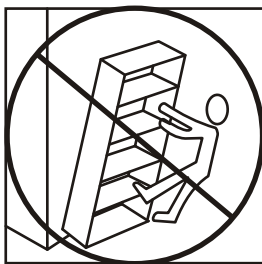
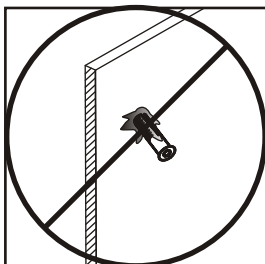
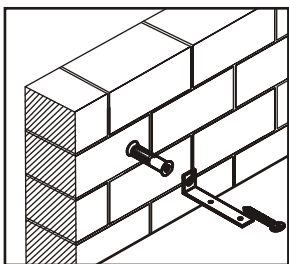
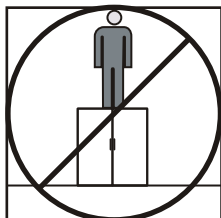
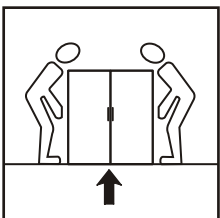
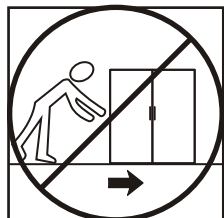
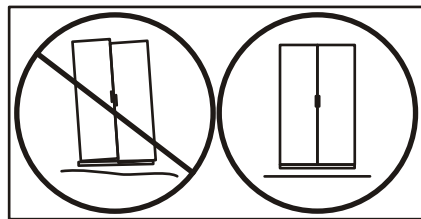
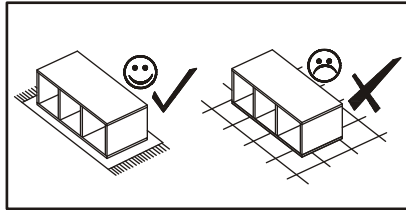
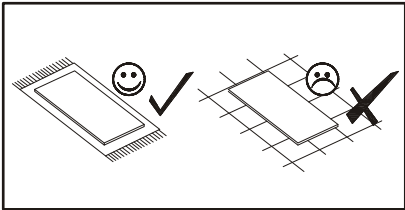
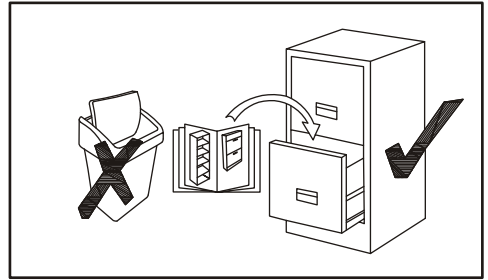
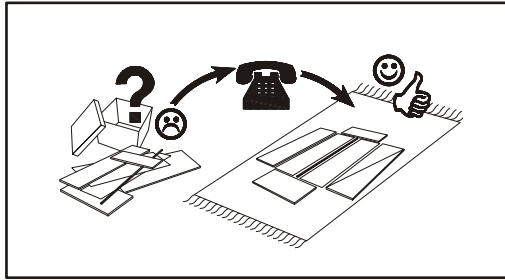
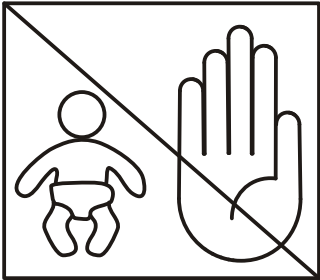
9



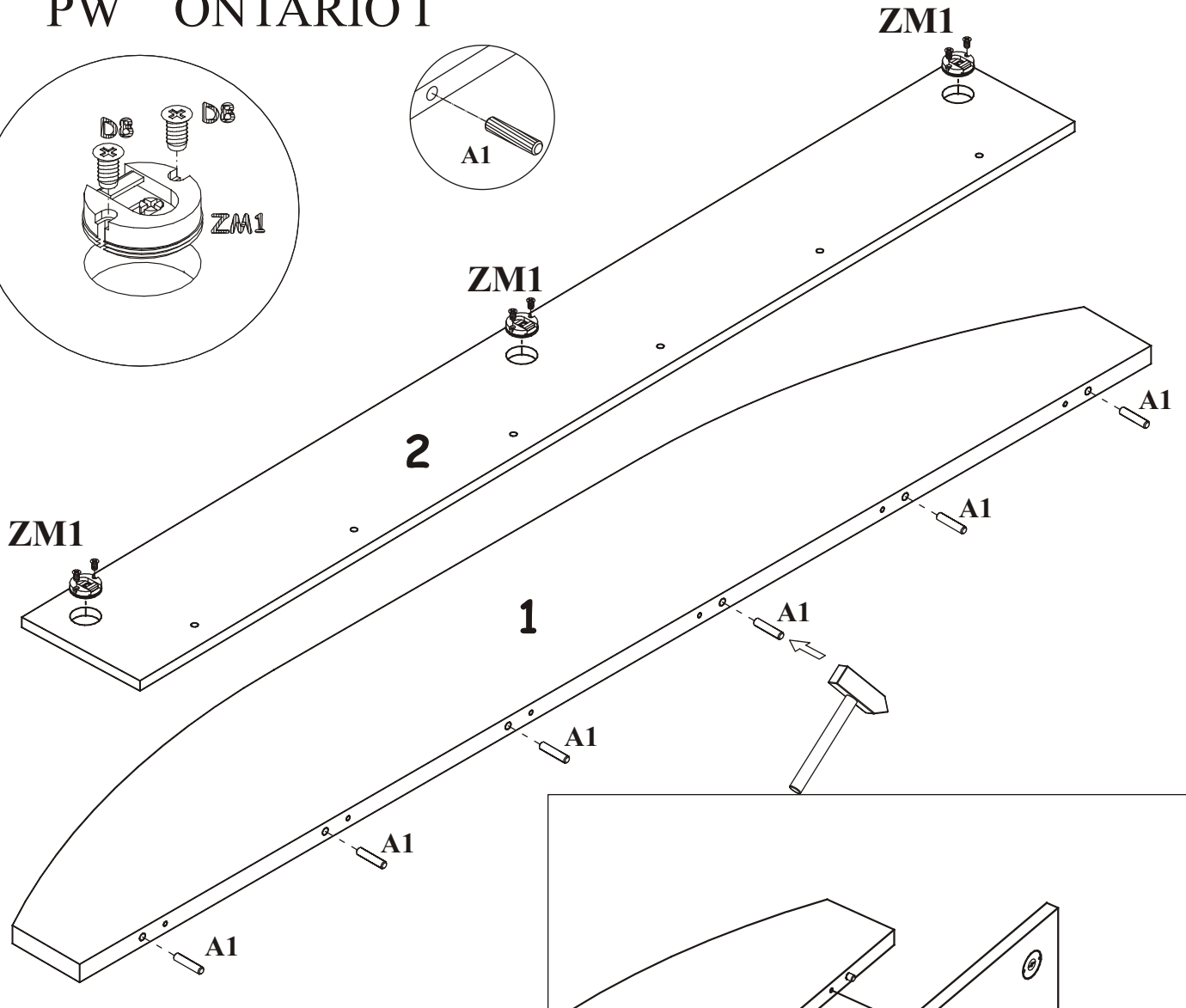
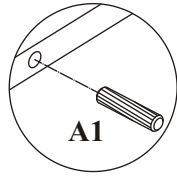
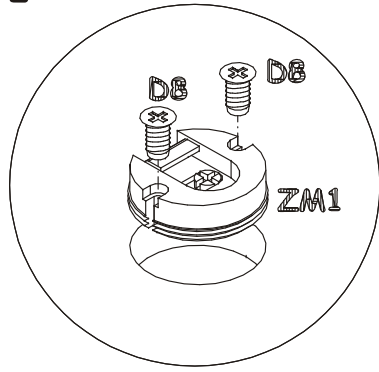


30 min

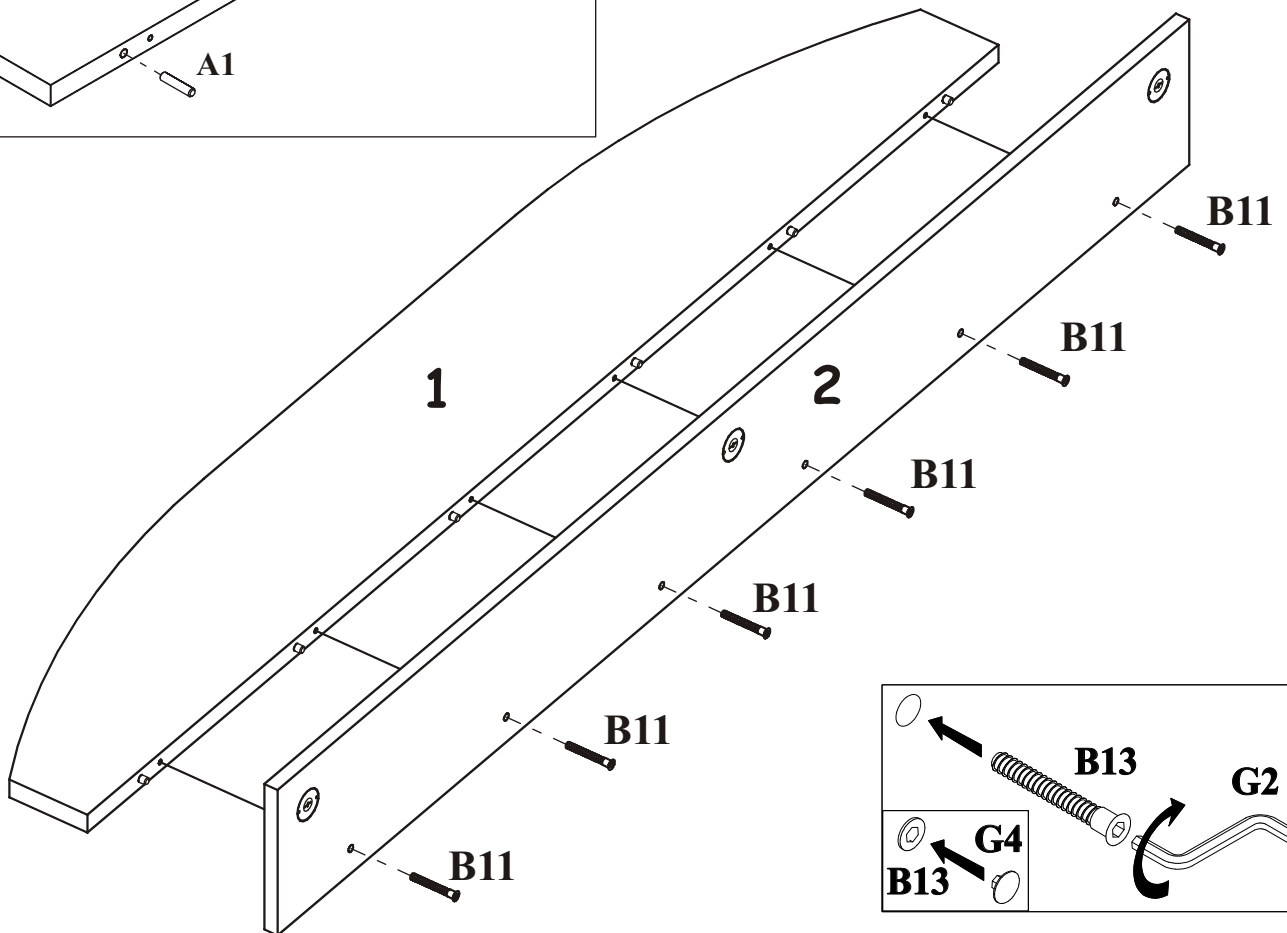
KR2 X3		D8 X6	 ESØ5x13	B11 X6	 Ø7x50	G4 X6		G2 X1		ZM1 X3	
A1 X6	 Ø8x36										



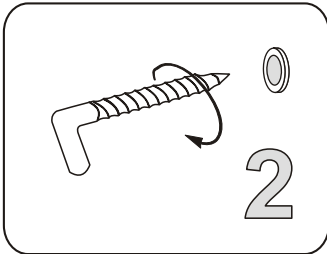
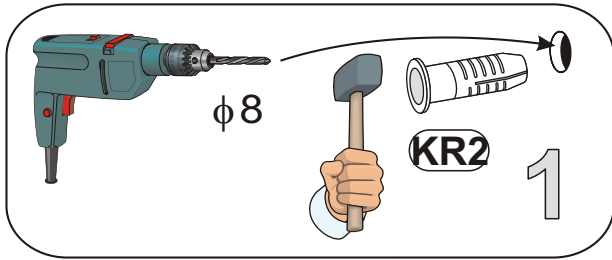
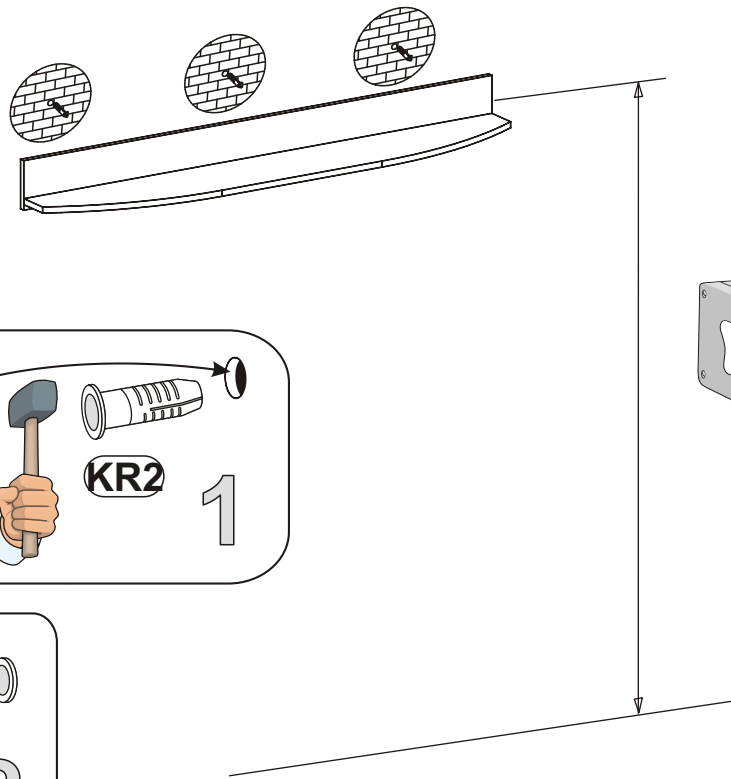
1



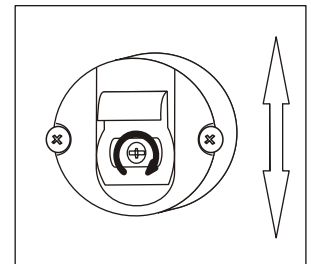
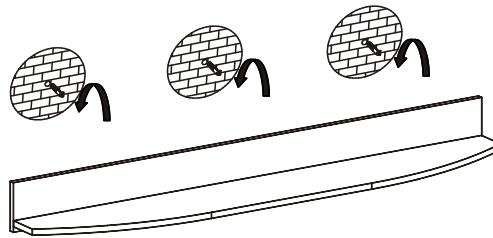
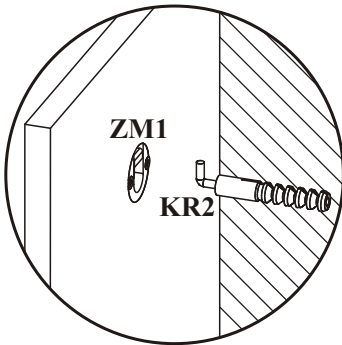
2



3



4



ZM1