

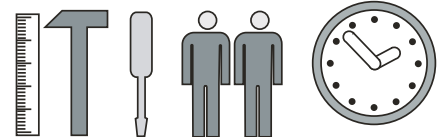
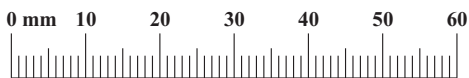
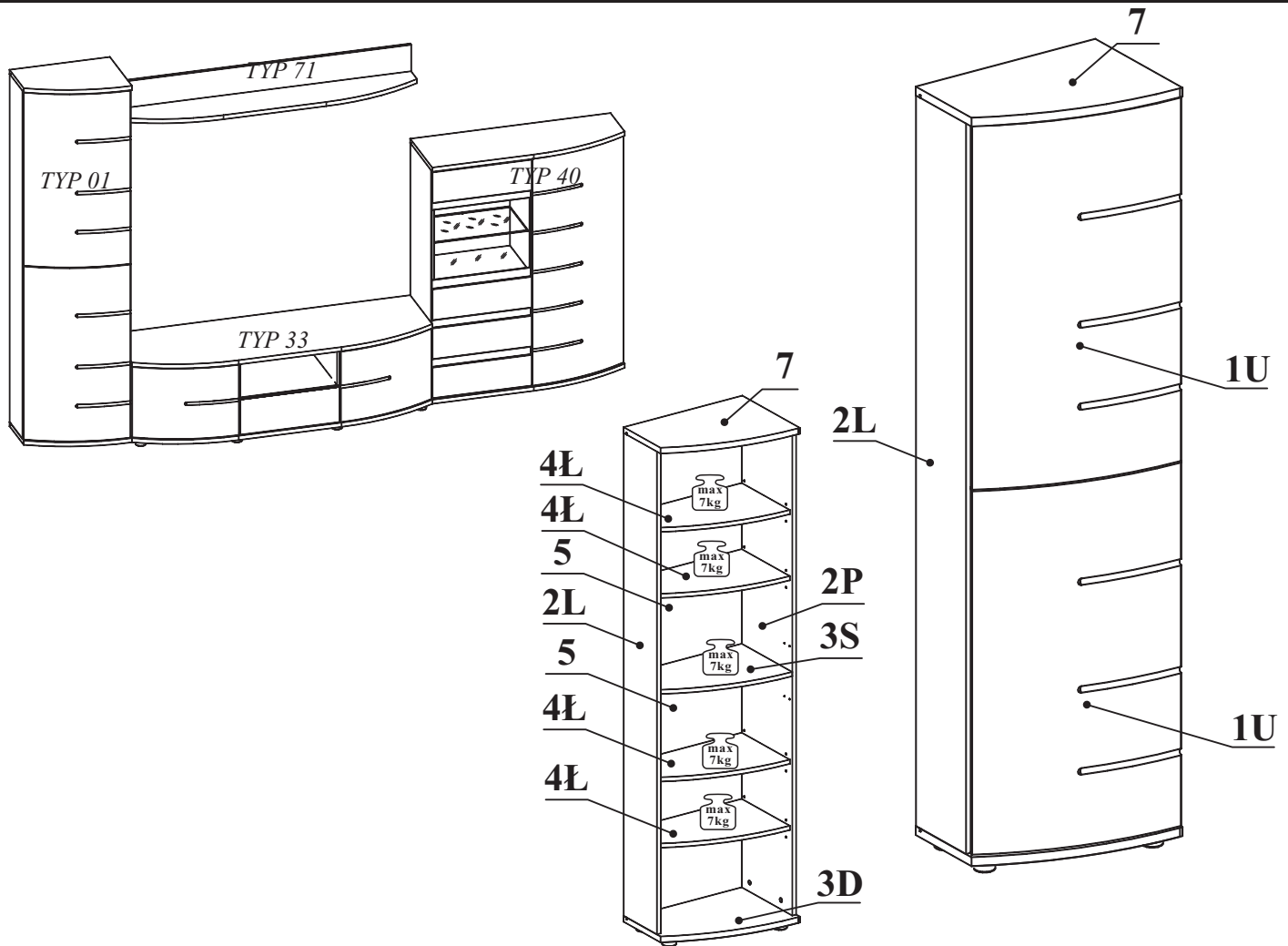
ABW ONTARIO I

TYPE-01

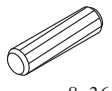
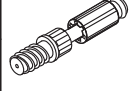
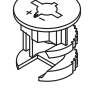



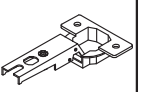
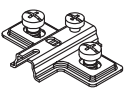

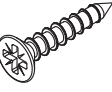
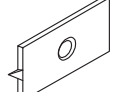
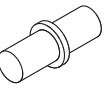
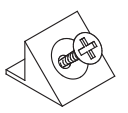

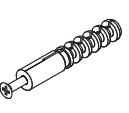
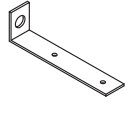
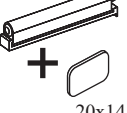
24...01

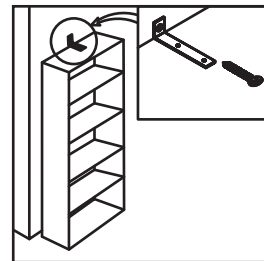
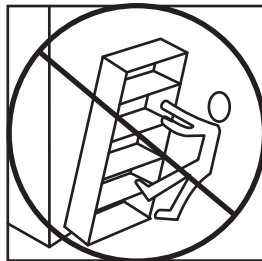
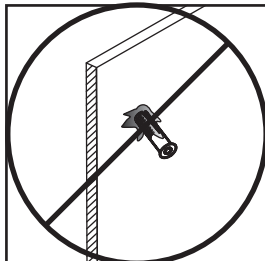
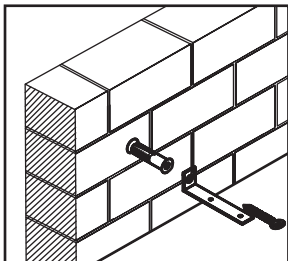
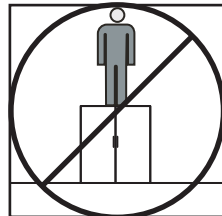
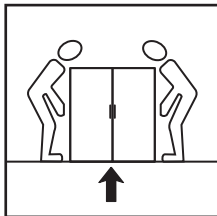
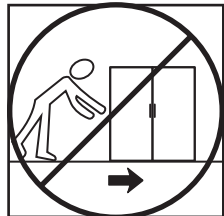
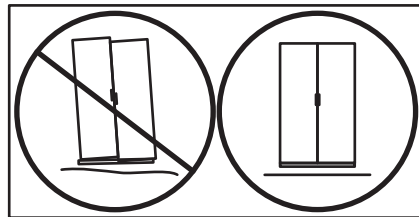
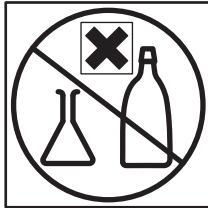
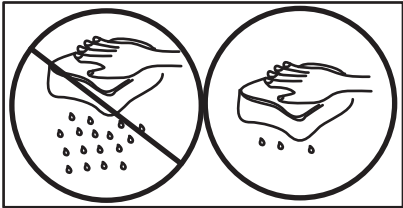
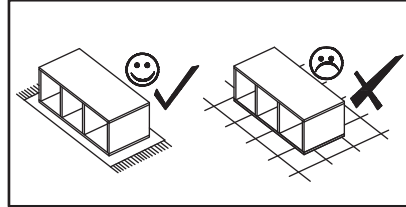
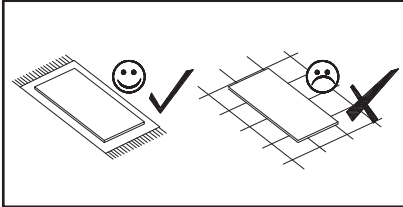
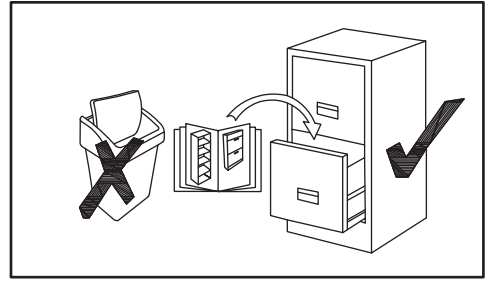
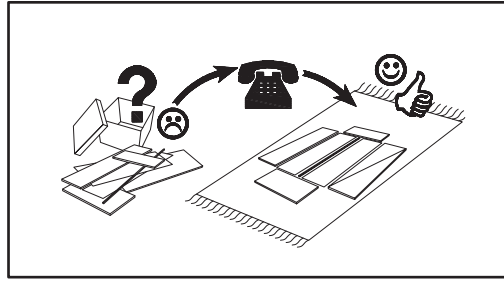
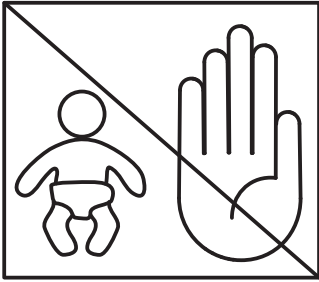
ABW ONTARIO II

24...02



90 min

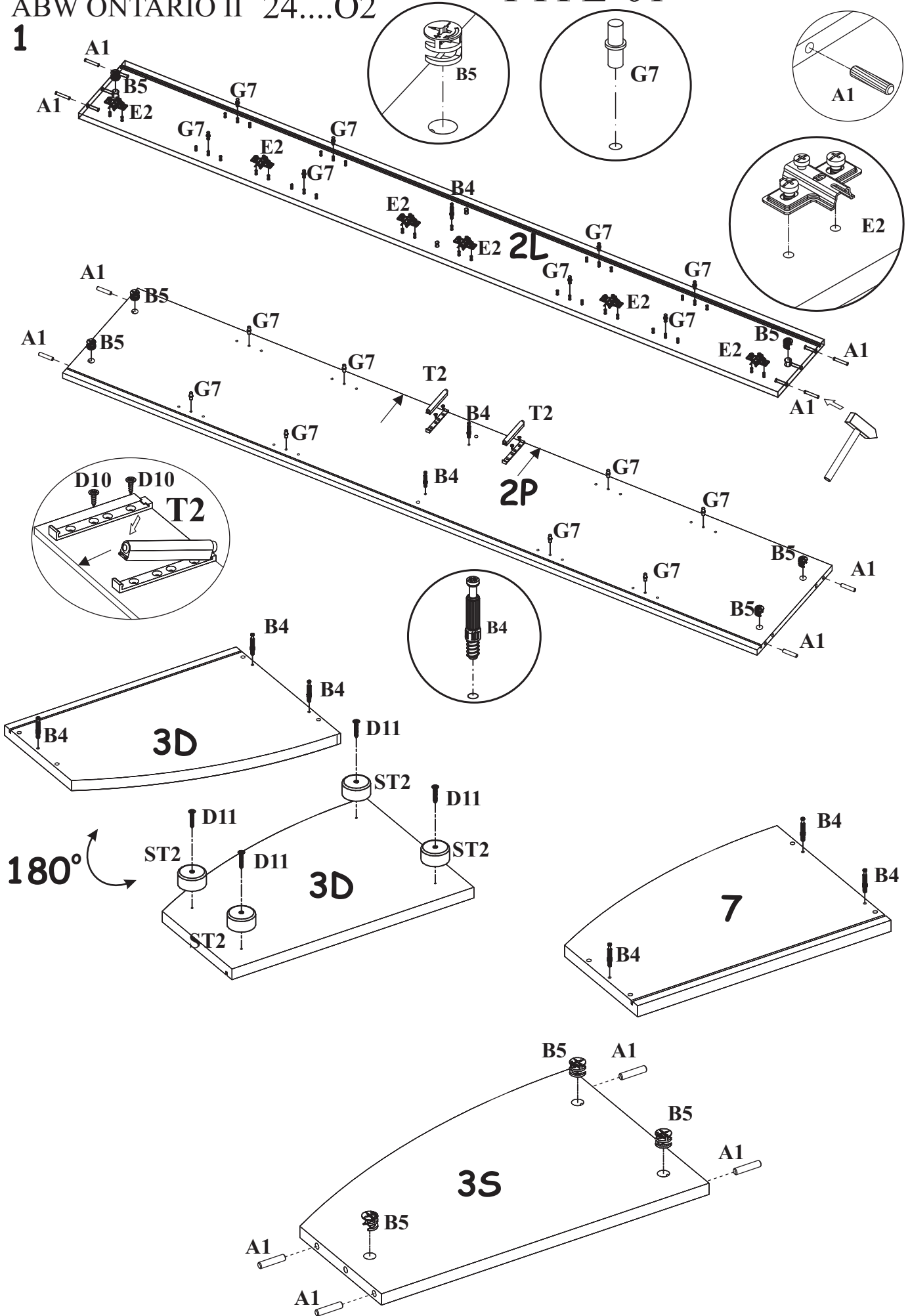
A1 X12  ø8x36	B4 X9 	B5 X9  ø15x12	G5 X9 	G2 X1 	D11 X4  USØ3,5x25
E1 X6  H=0	E2 X6  H=0	ST2 X4 	D9 X3  USØ3x20	G16 X3 	G7 X16 
S1 X14 	D10 X18  USØ3,5x13	KR1 X1 	L1 X1 	T2 X2  20x14	



ABW ONTARIO I 24...O1  
ABW ONTARIO II 24...O2

# TYPE-01

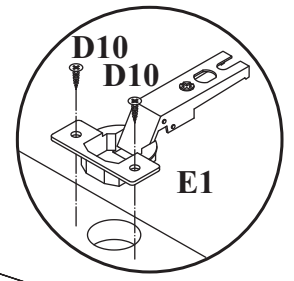
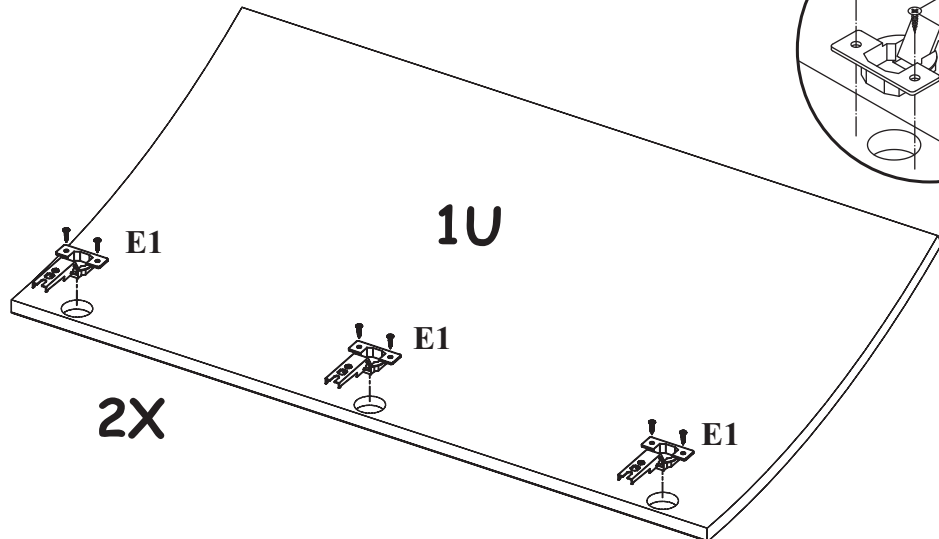
1



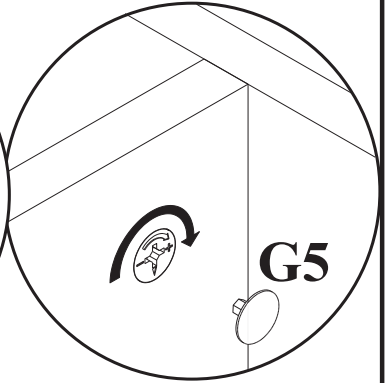
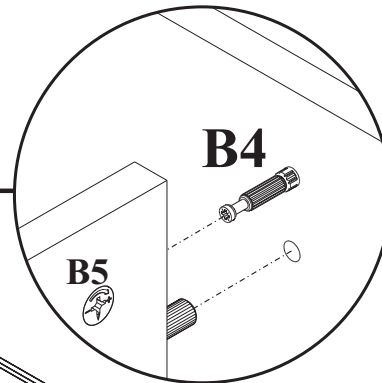
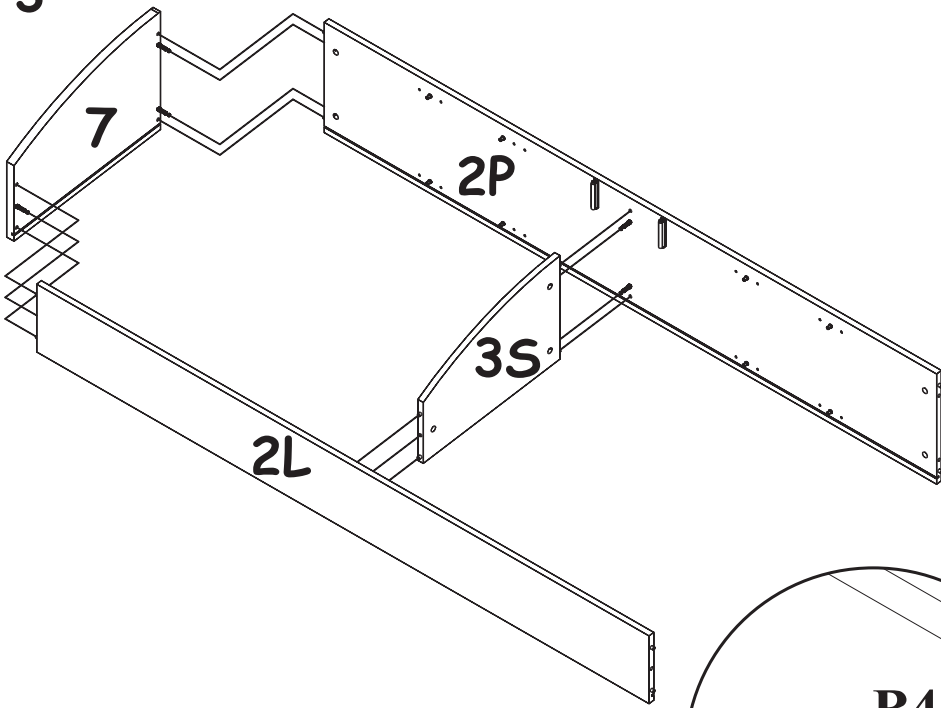
ABW ONTARIO I 24...01  
ABW ONTARIO II 24...02

# TYPE-01

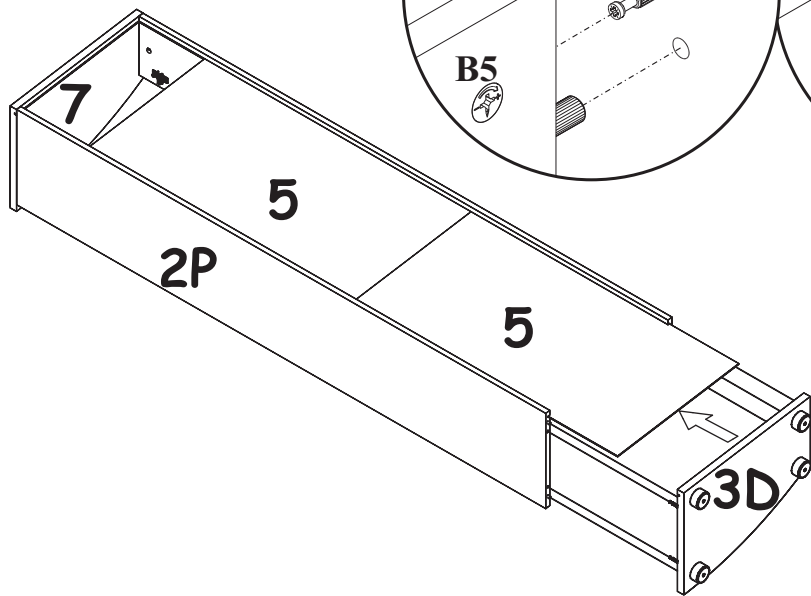
2



3



4

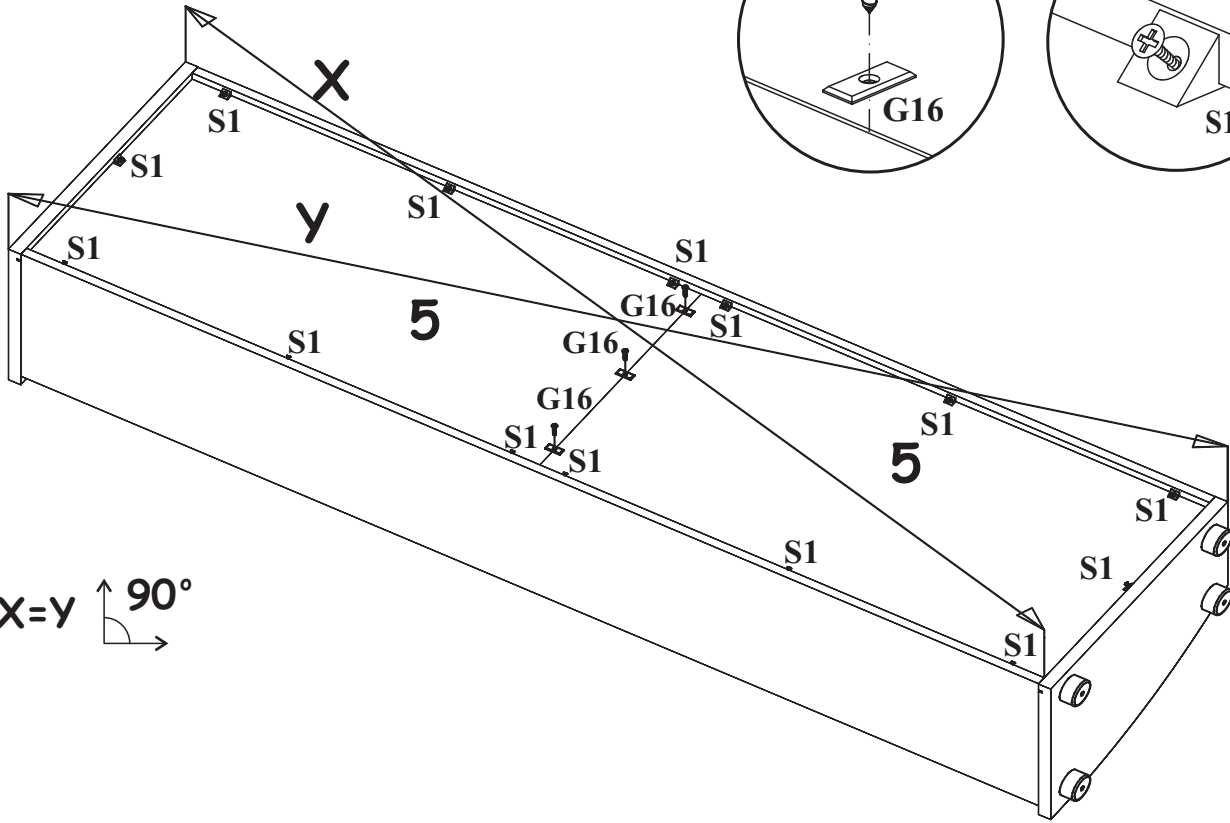




ABW ONTARIO I 24...O1  
ABW ONTARIO II 24...O2

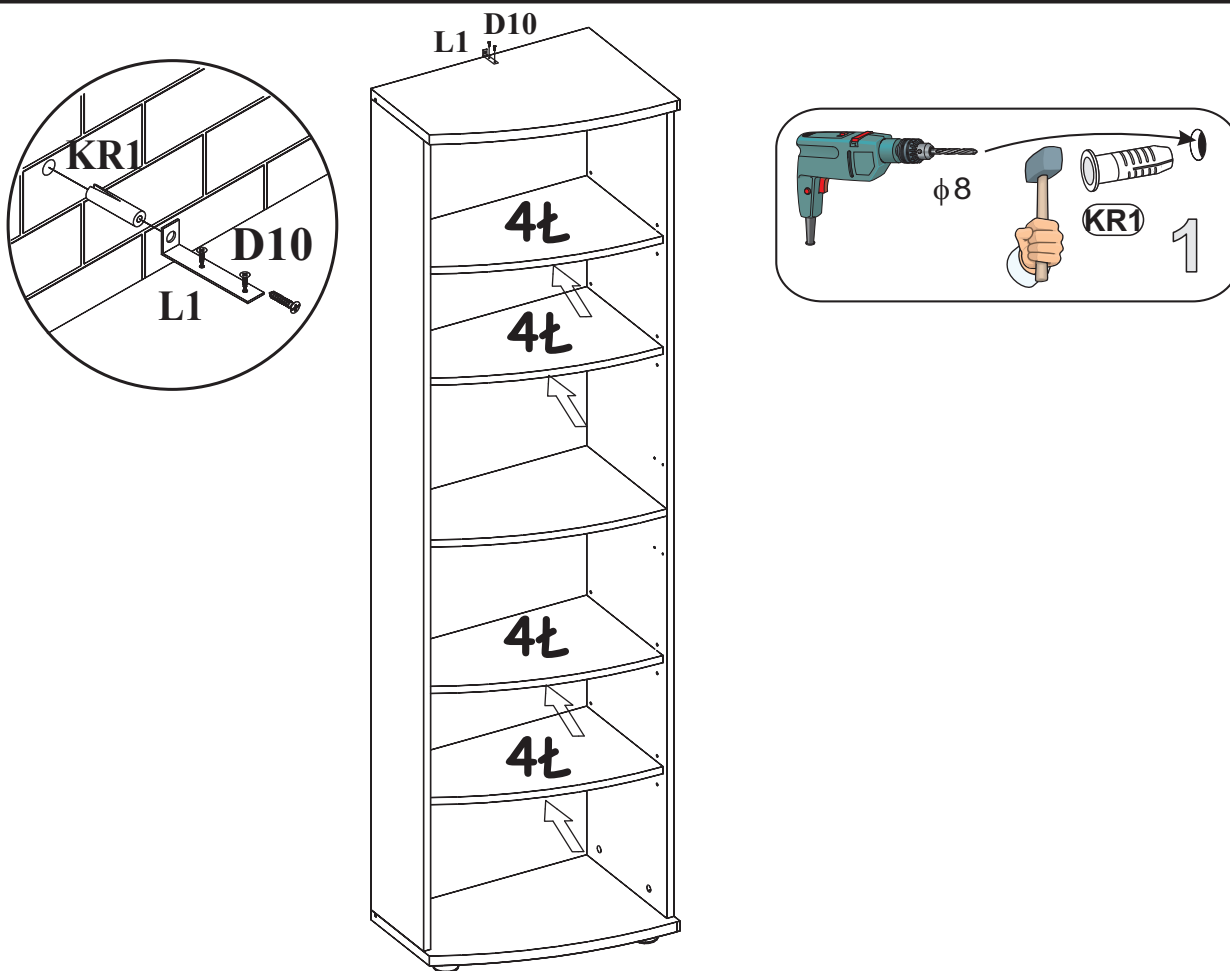
# TYPE-01

5



$X=Y$   $90^\circ$

6

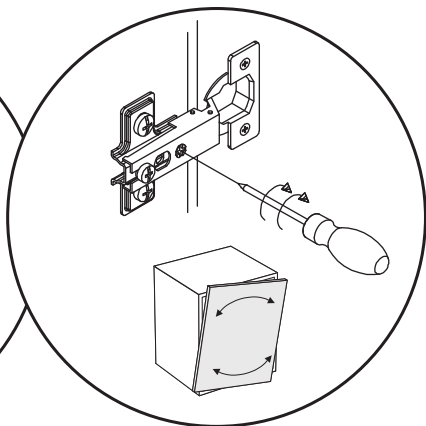
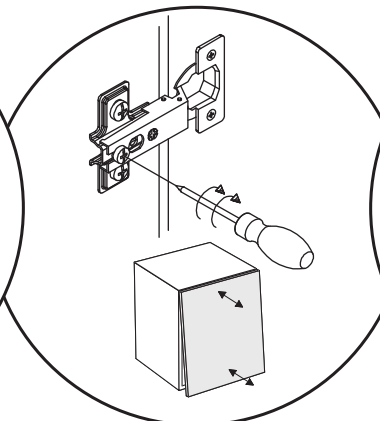
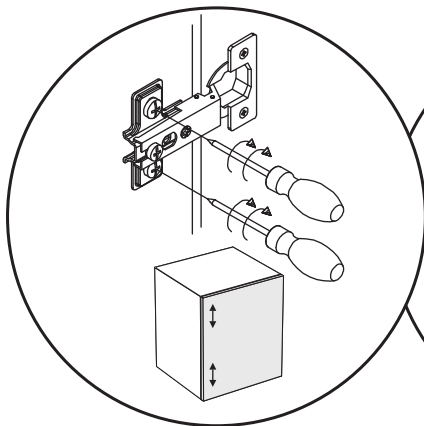
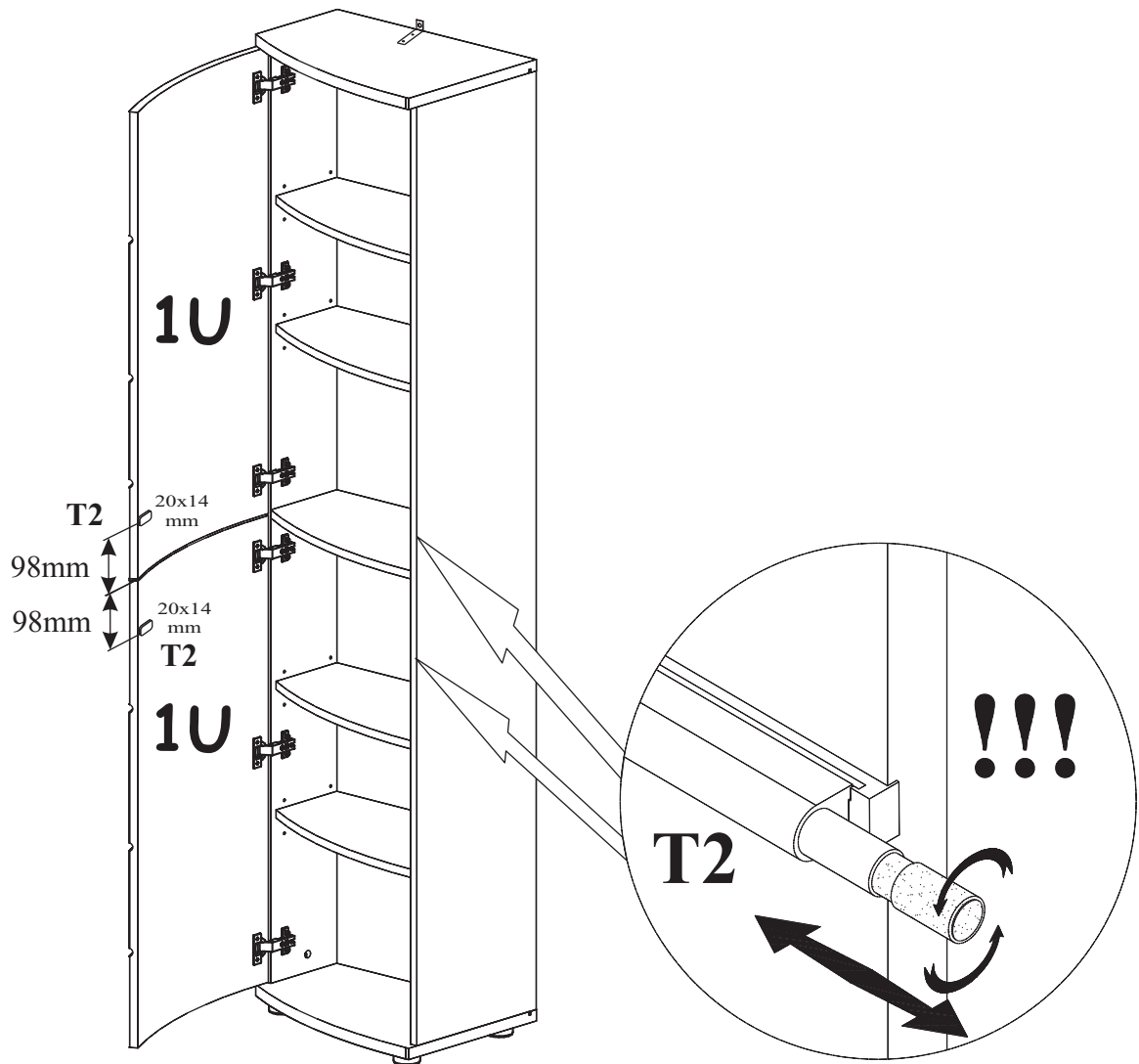


ABW ONTARIO I 24...01

ABW ONTARIO II 24...02

TYPE-01

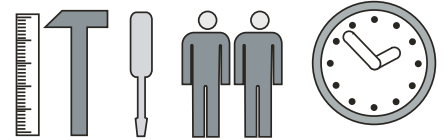
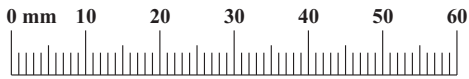
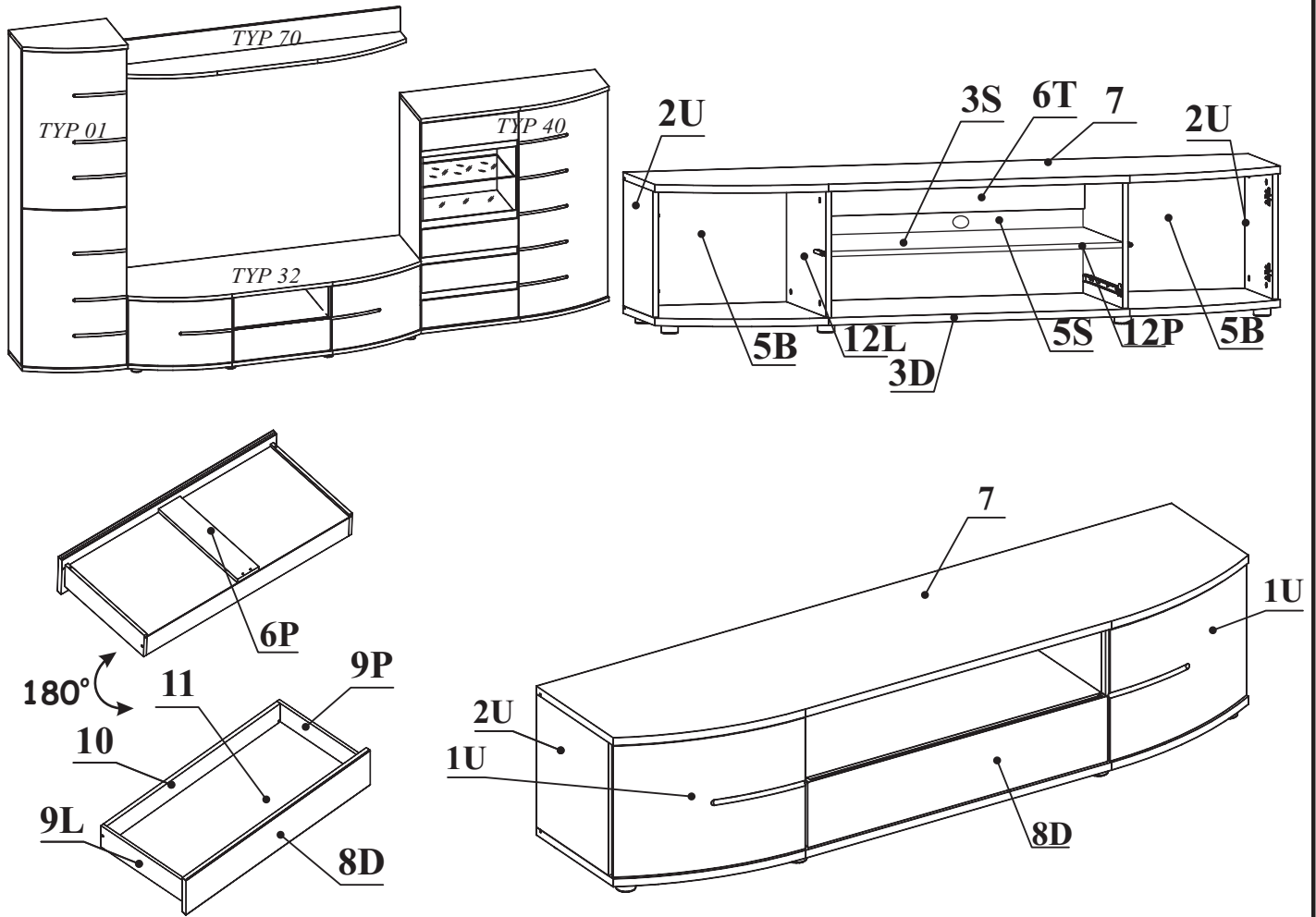
7



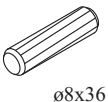
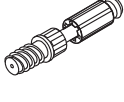

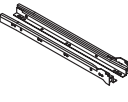


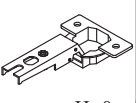
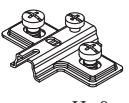
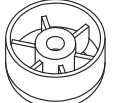

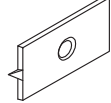

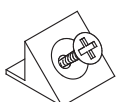

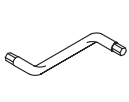

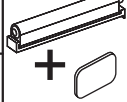



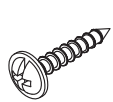
ABW ONTARIO II  
RTV ONTARIO II

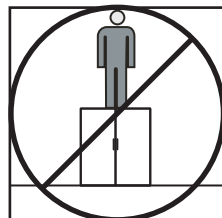
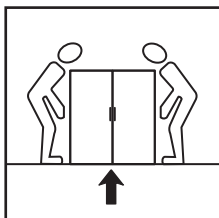
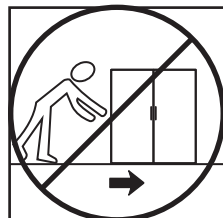
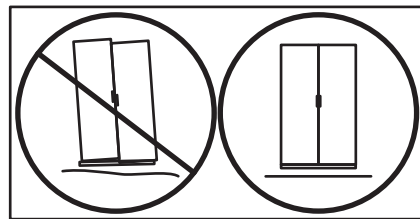
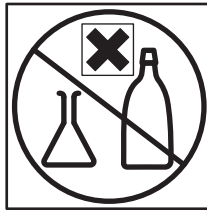
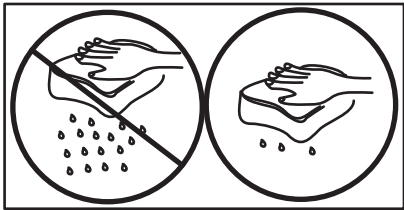
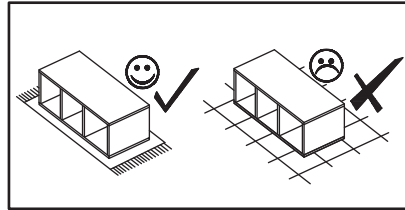
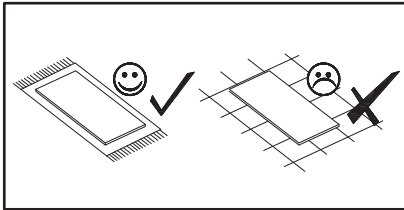
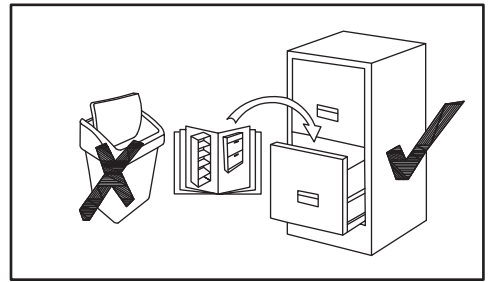
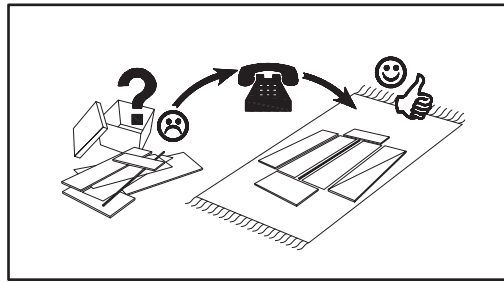
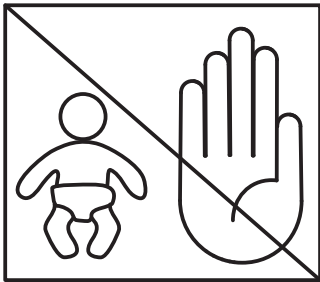
TYPE-32

24...02

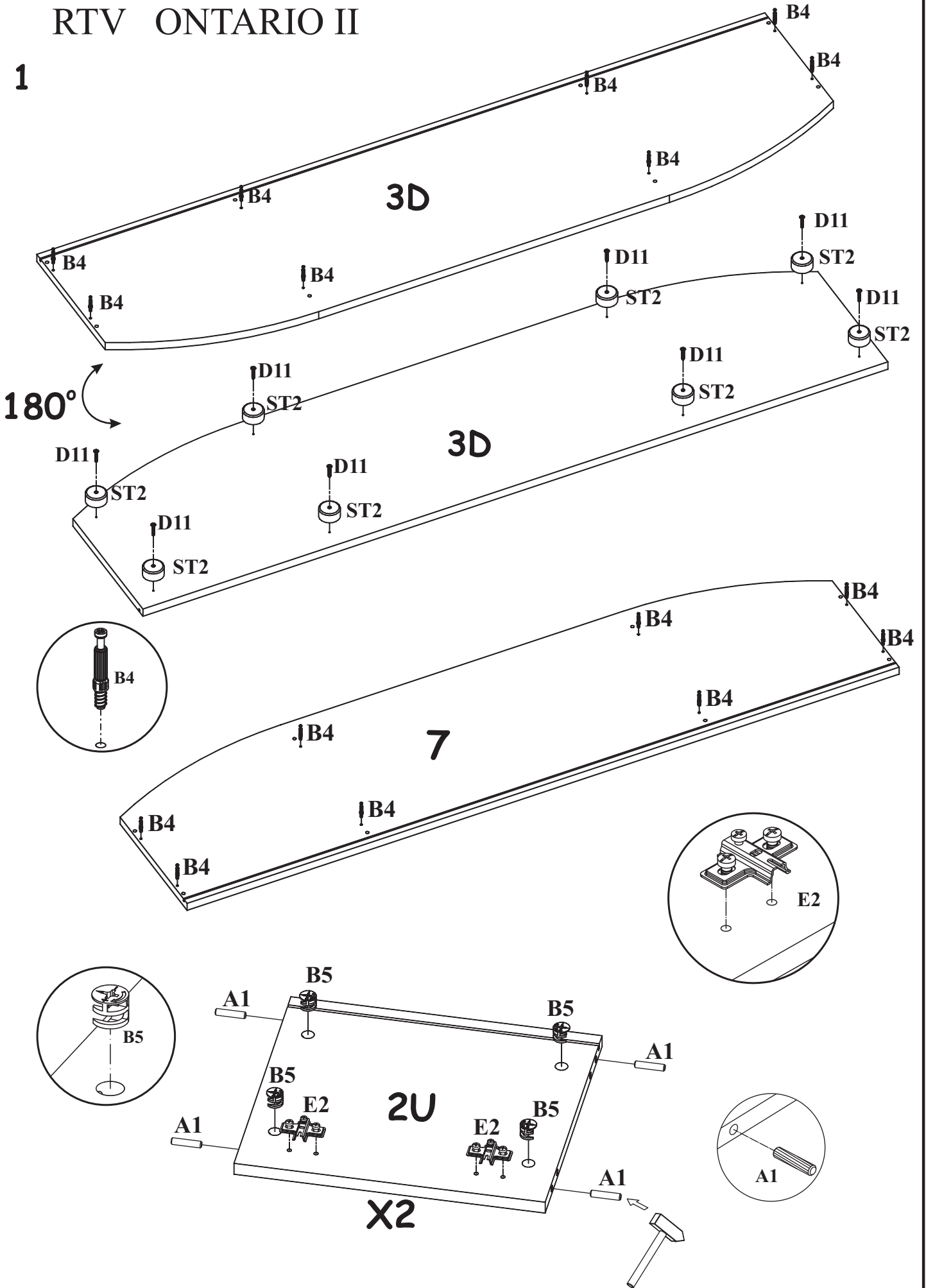


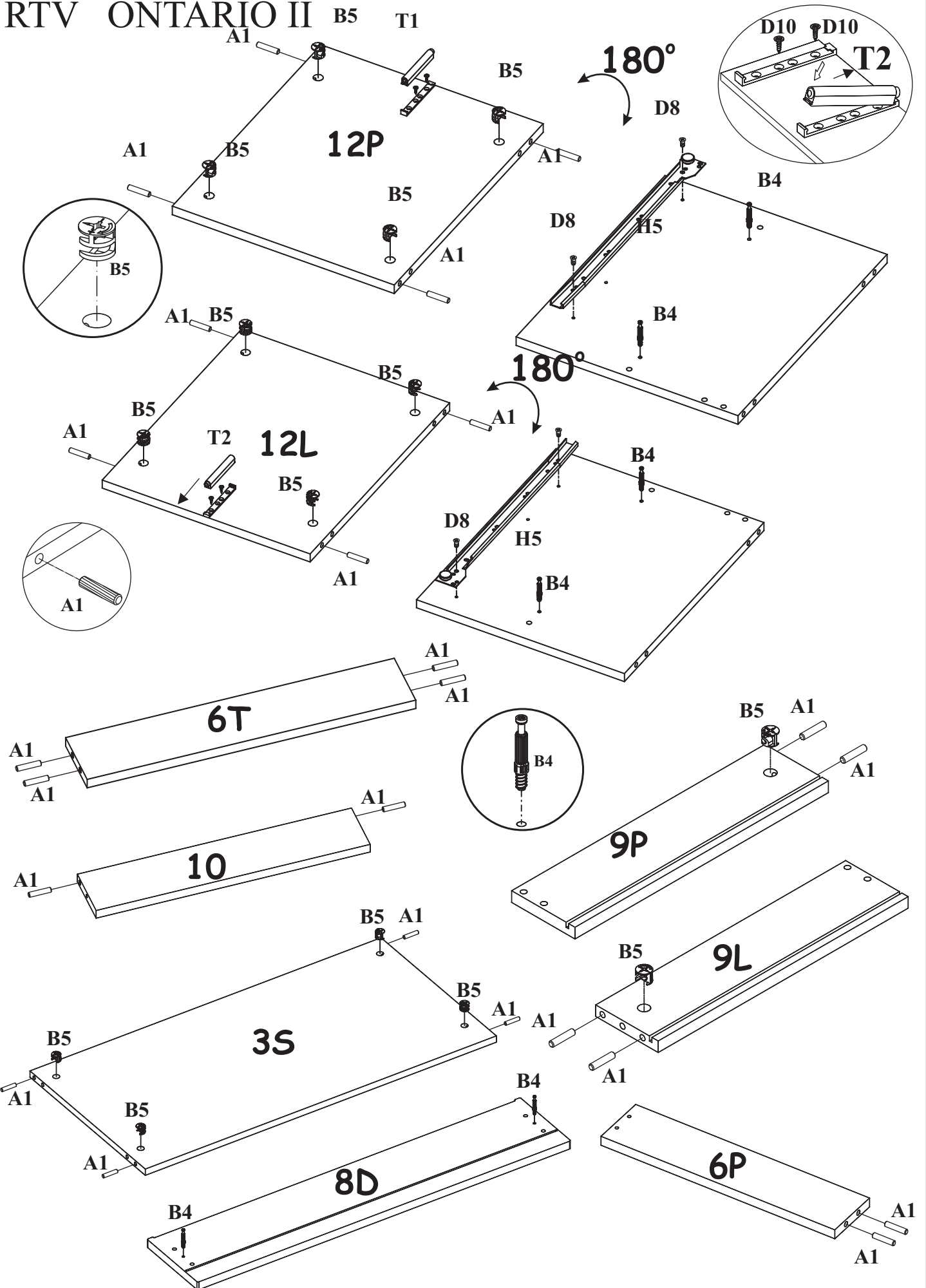
90 min

A1 X32  ø8x36	B4 X22 	B5 X22  ø15x12	H5 X1 	G5 X22 	D11 X8  USØ3,5x25
E1 X4  H=0	E2 X4  H=0	ST2 X8 	D9 X4  USØ3x20	G16 X4 	D27 X4  EsØ5x13
S1 X18 	D10 X16  USØ3,5x13	G2 X1 	UP13 X6  UPØ3x16	T2 X2  20x14	B11 X2  Ø7x50
G4 X2 	G18 X1 	UP 16 X2  UpØ4x35			



1

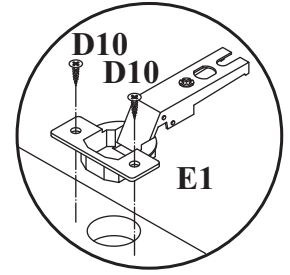
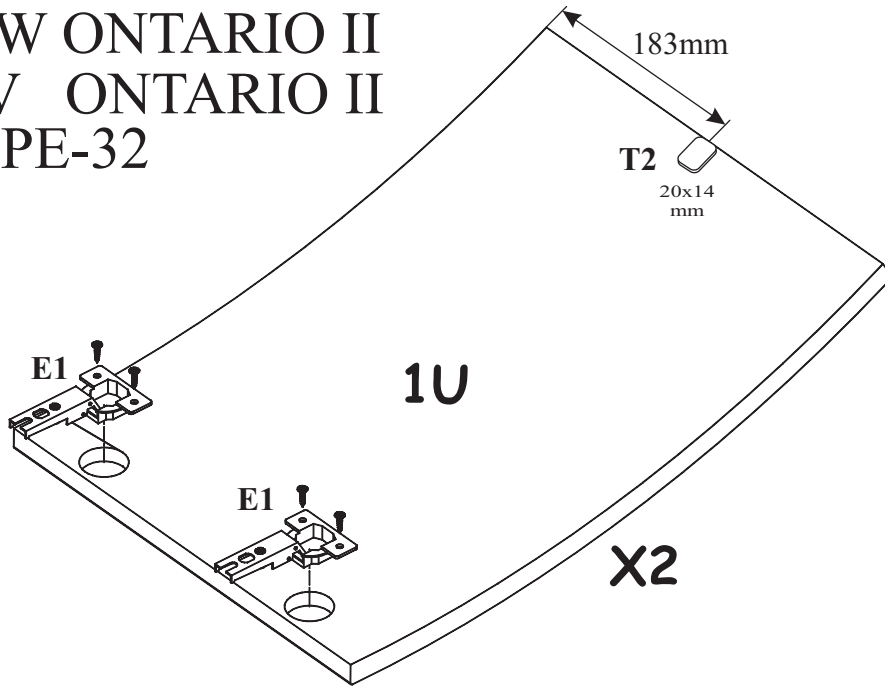




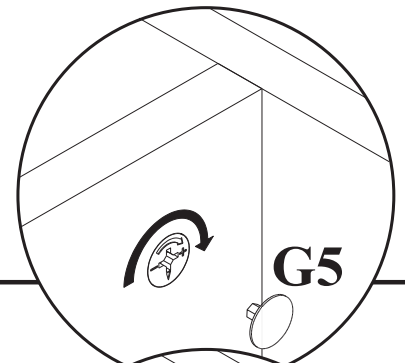
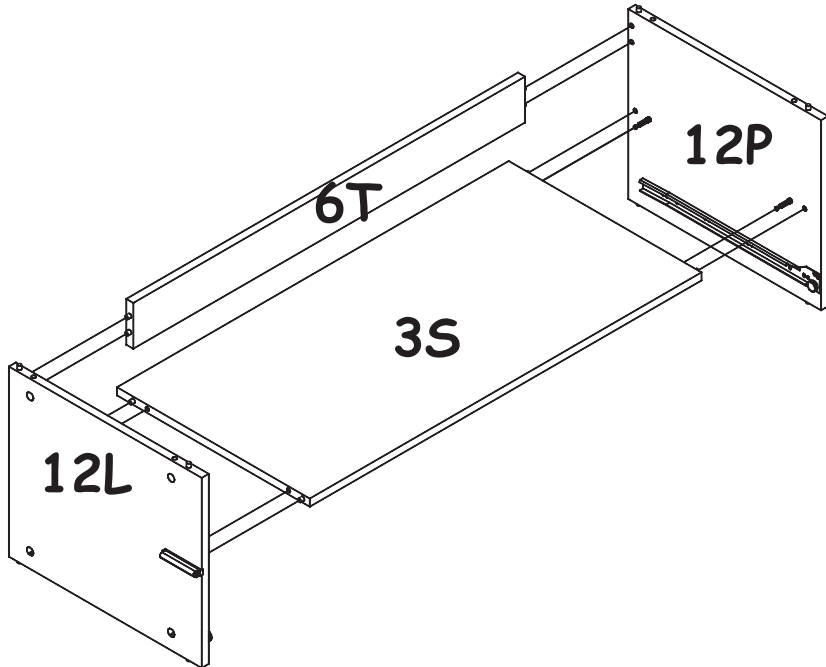
ABW ONTARIO II  
RTV ONTARIO II  
TYPE-32

24....02

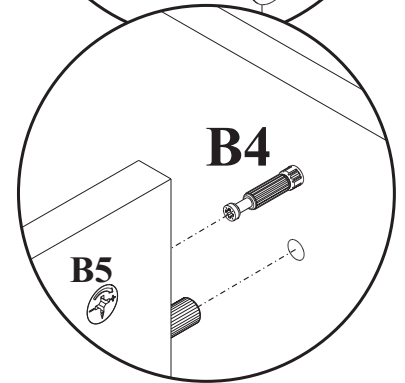
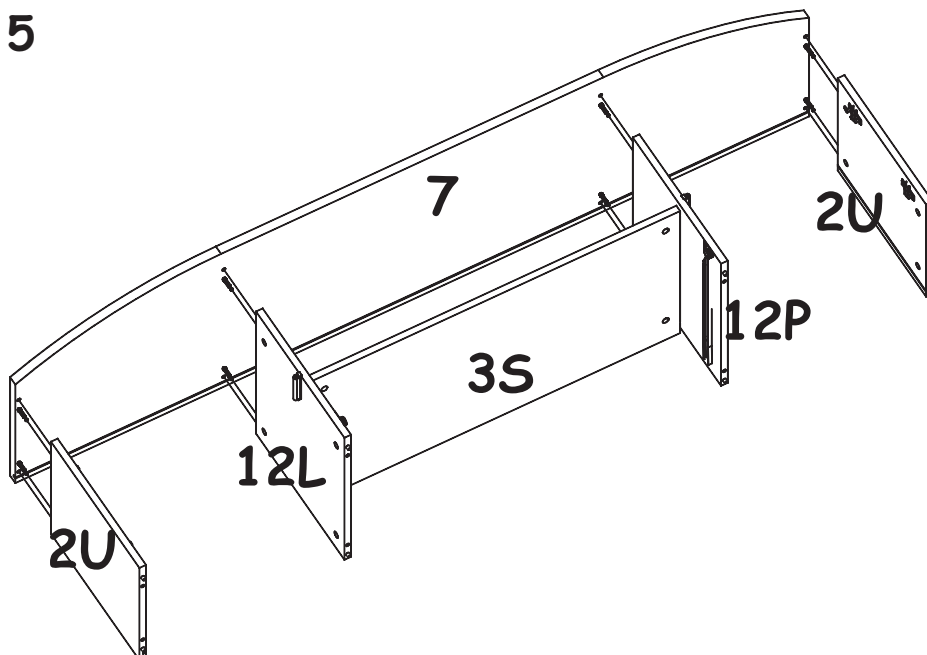
3

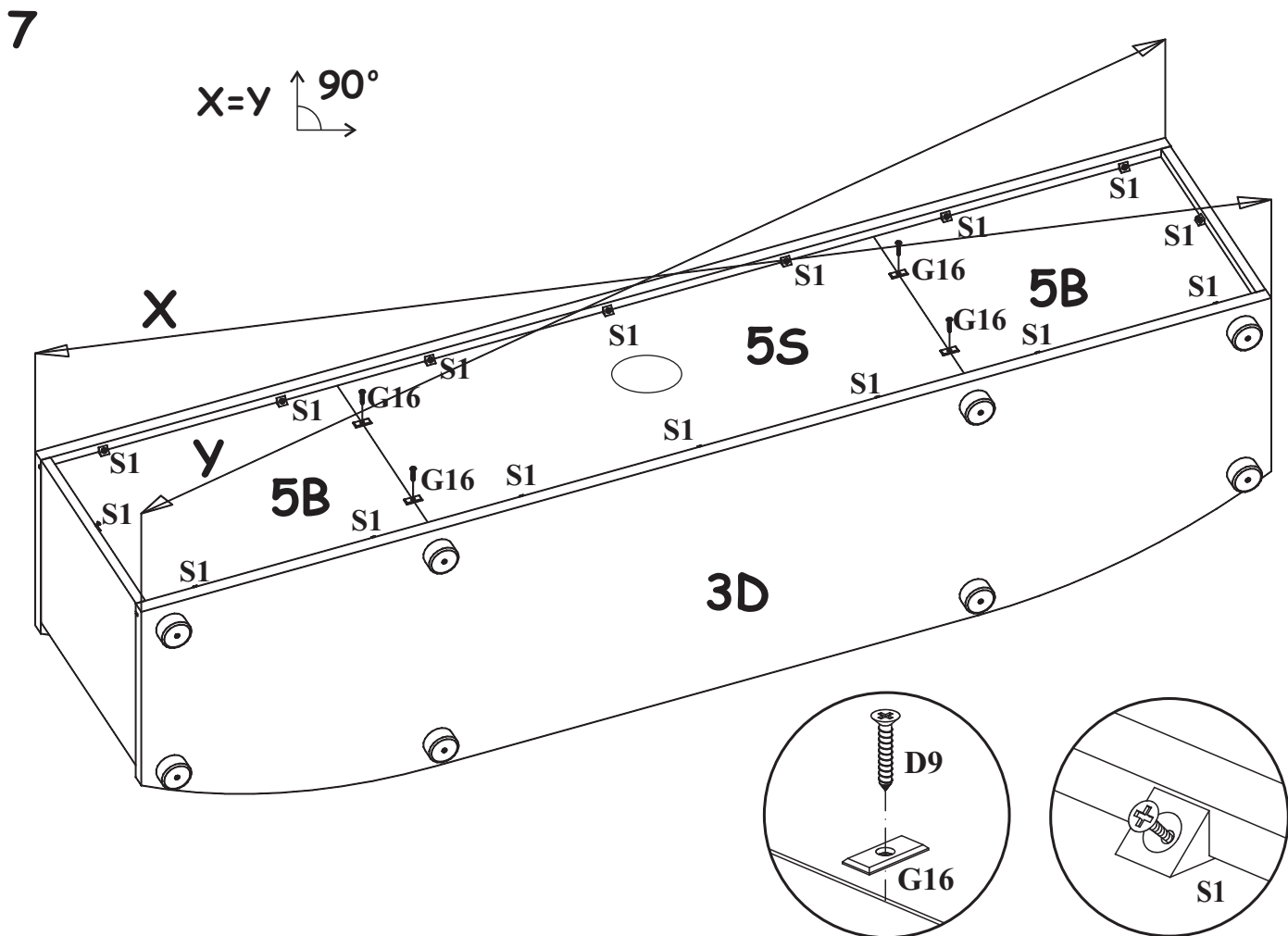
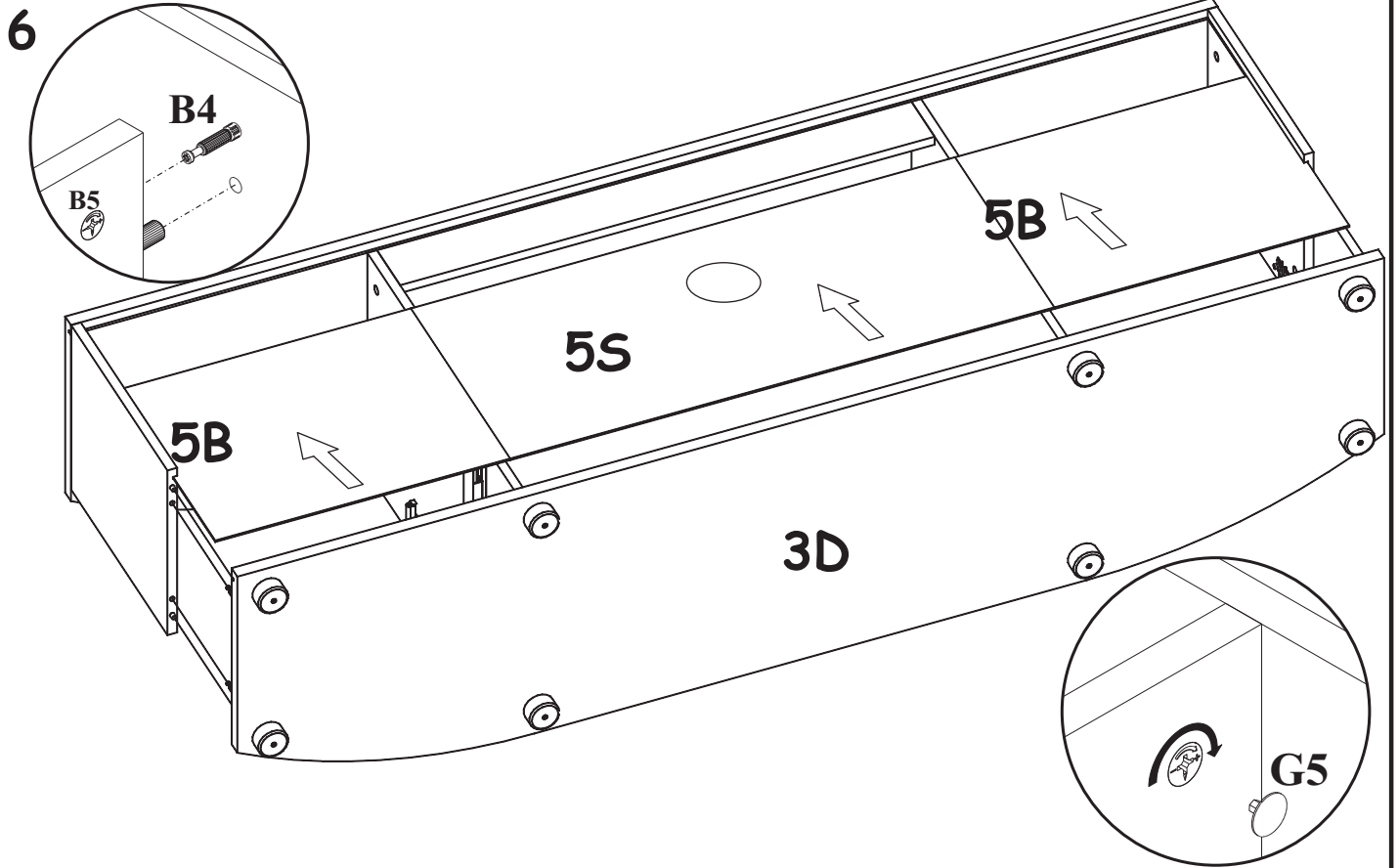


4



5





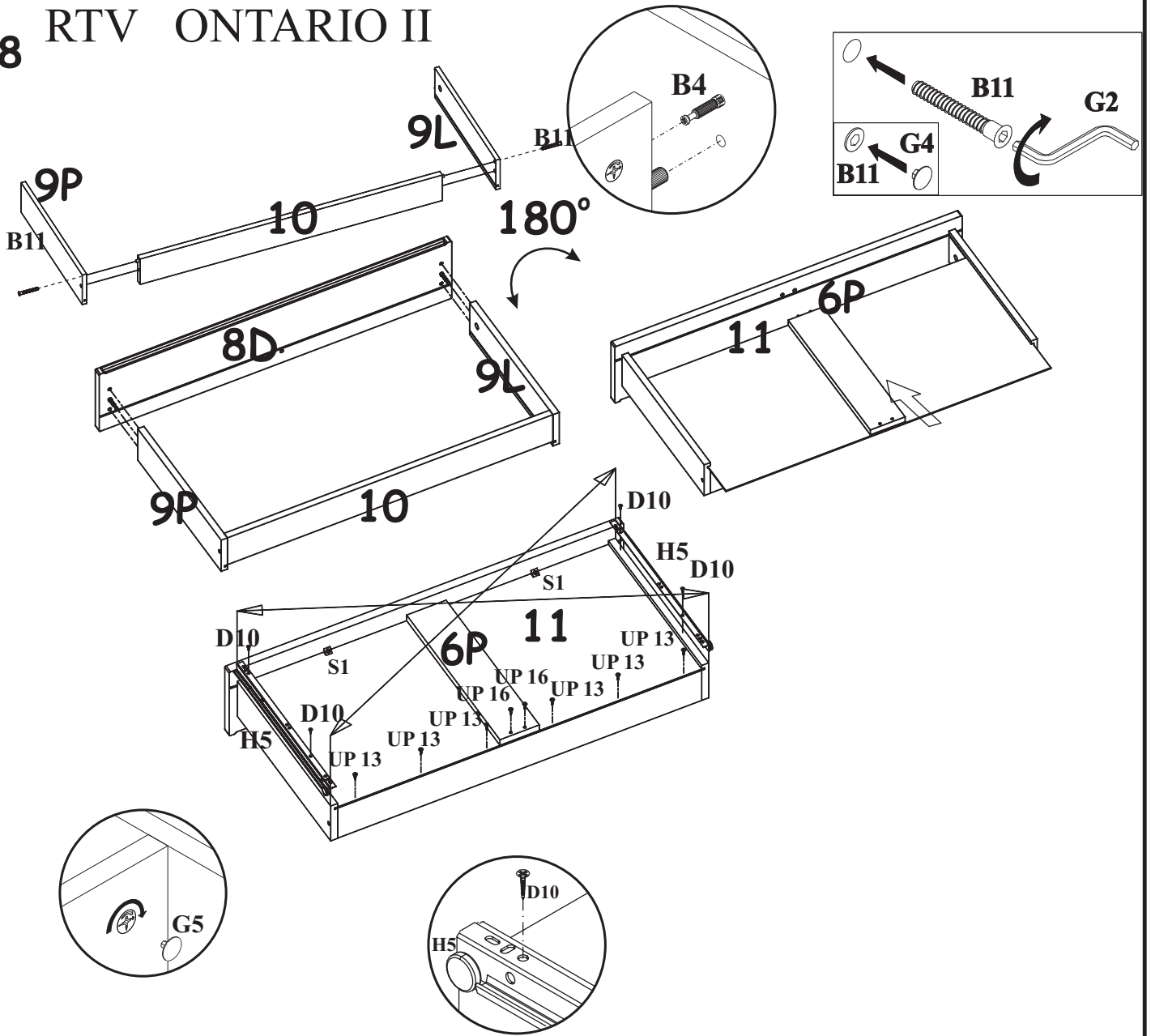


ABW ONTARIO II  
RTV ONTARIO II

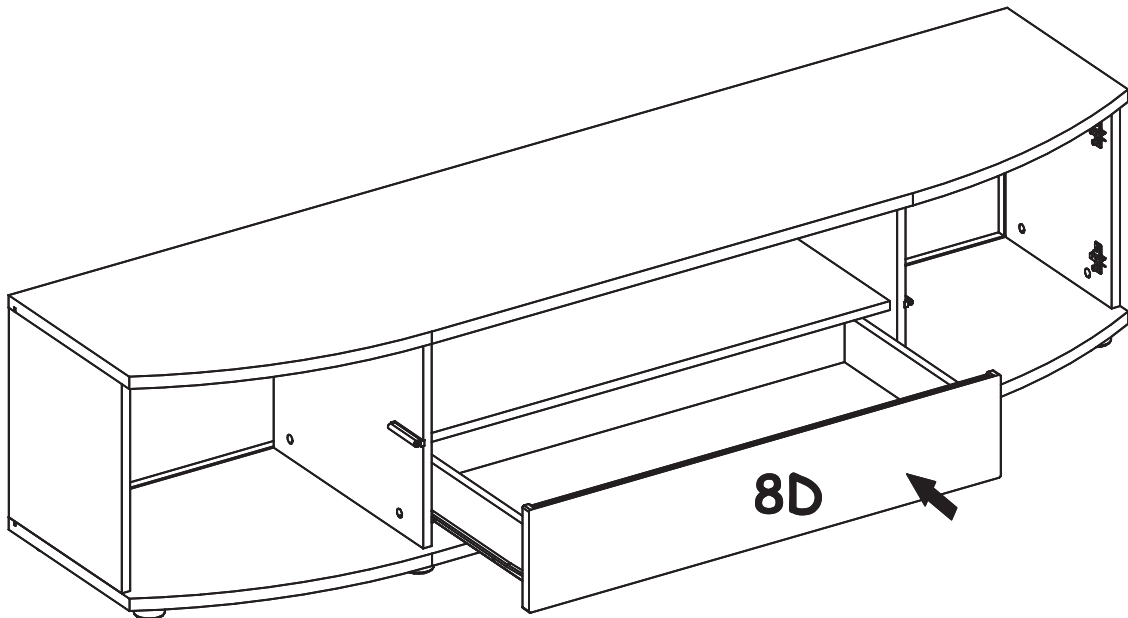
TYPE-32

24...O2

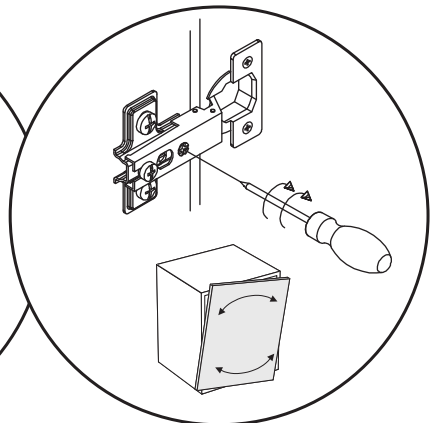
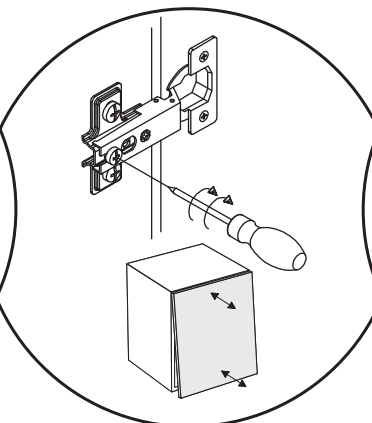
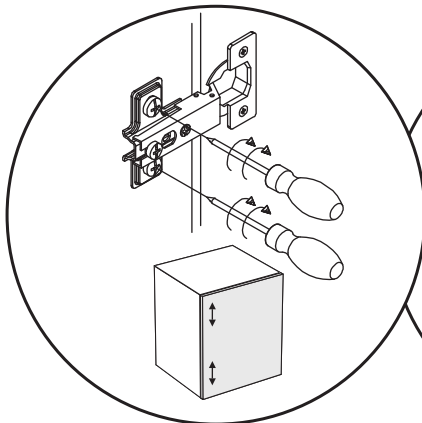
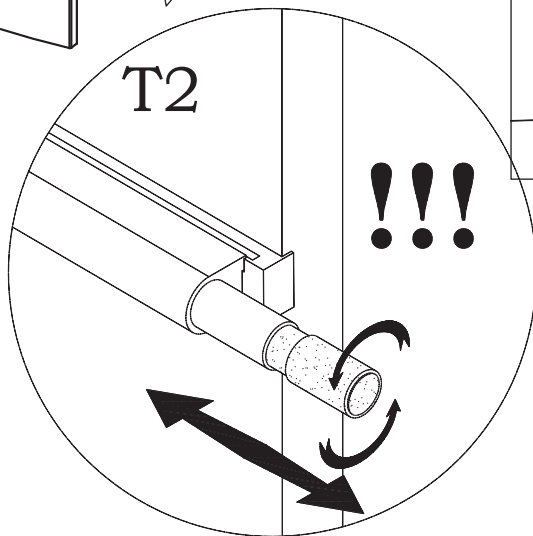
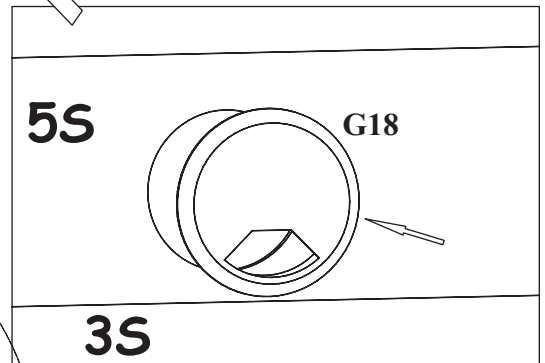
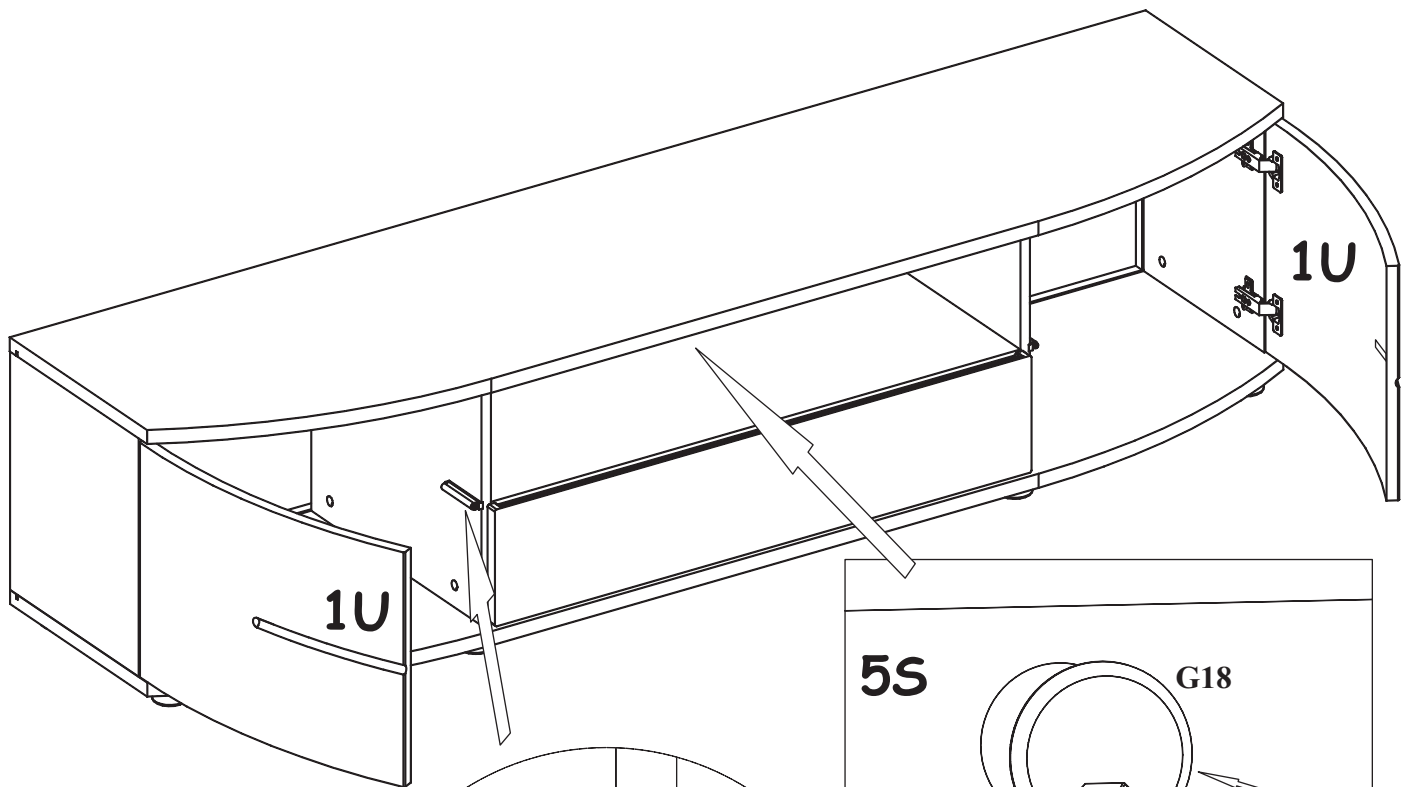
8

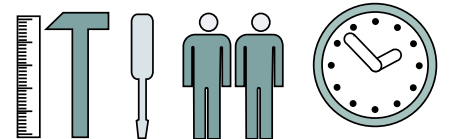
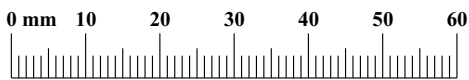
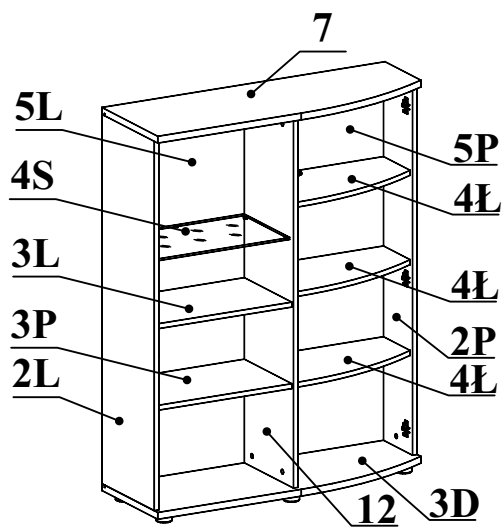
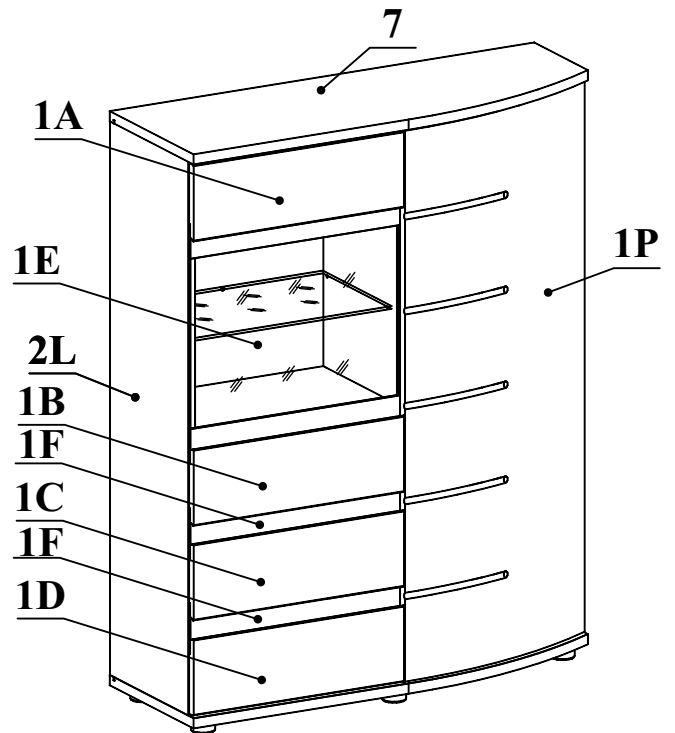
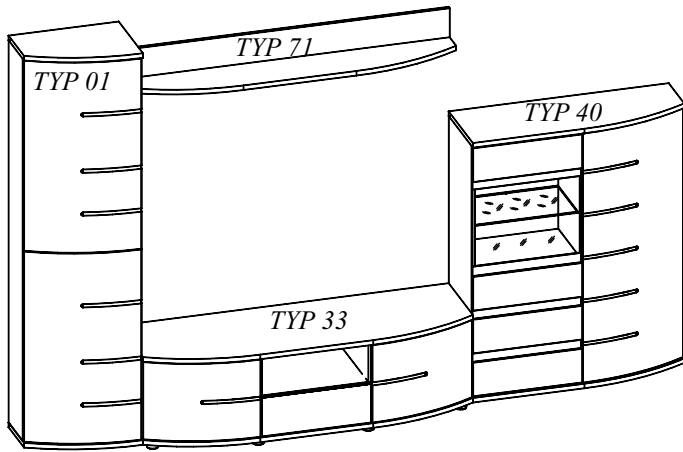


9

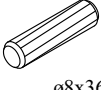
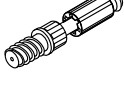

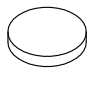


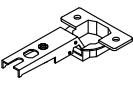
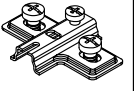


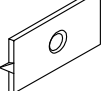
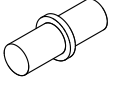
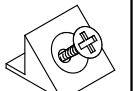
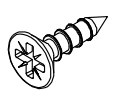

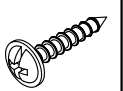
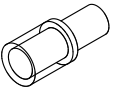

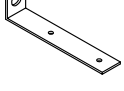
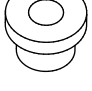
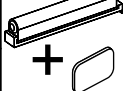


10





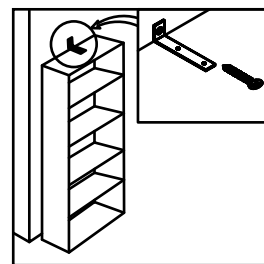
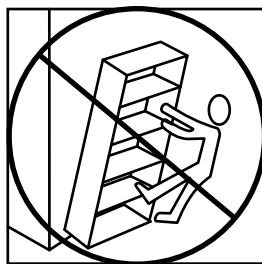
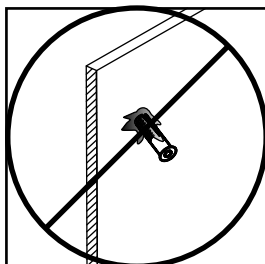
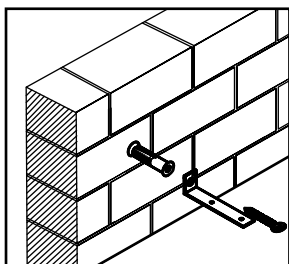
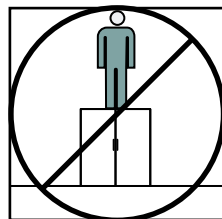
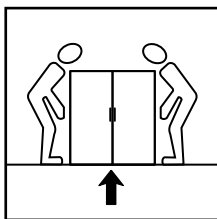
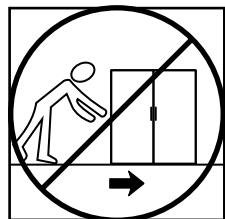
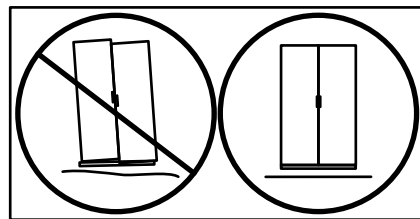
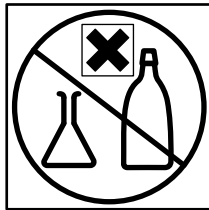
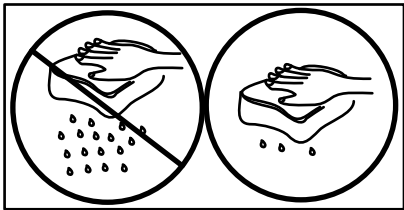
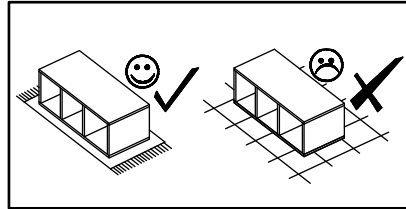
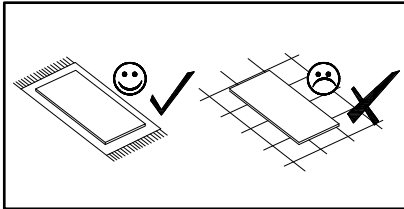
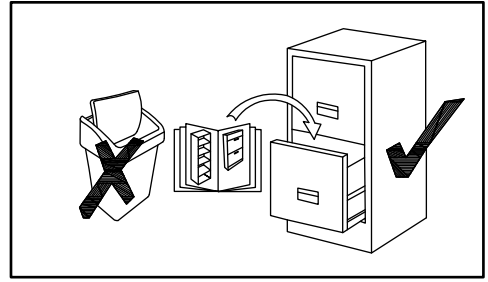
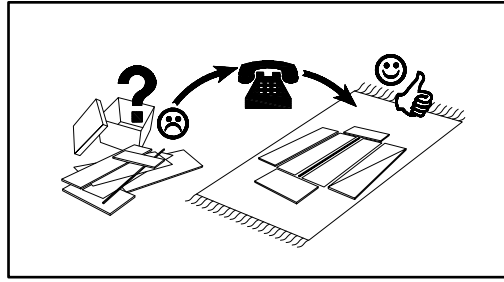
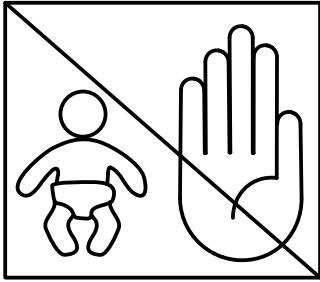
90 min

A1 X16  ø8x36	B4 X14 	B5 X14  ø15x12	P3 X2 	G5 X14 	D11 X6  USØ3,5x25
E1 X6  H=0	E2 X6  H=0	ST2 X6 	D9 X8  USØ3x20	G16 X8 	G7 X16 
S1 X16 	D10 X16  USØ3,5x13	G2 X1 	UP13 X18  UPØ3x16	G20 X4 	
KR1 X1 	L1 X1 	P2 X18 	T2 X1  20x14		

ABW ONTARIO I  
ABW ONTARIO II

TYPE-40

24...O1  
24...O2

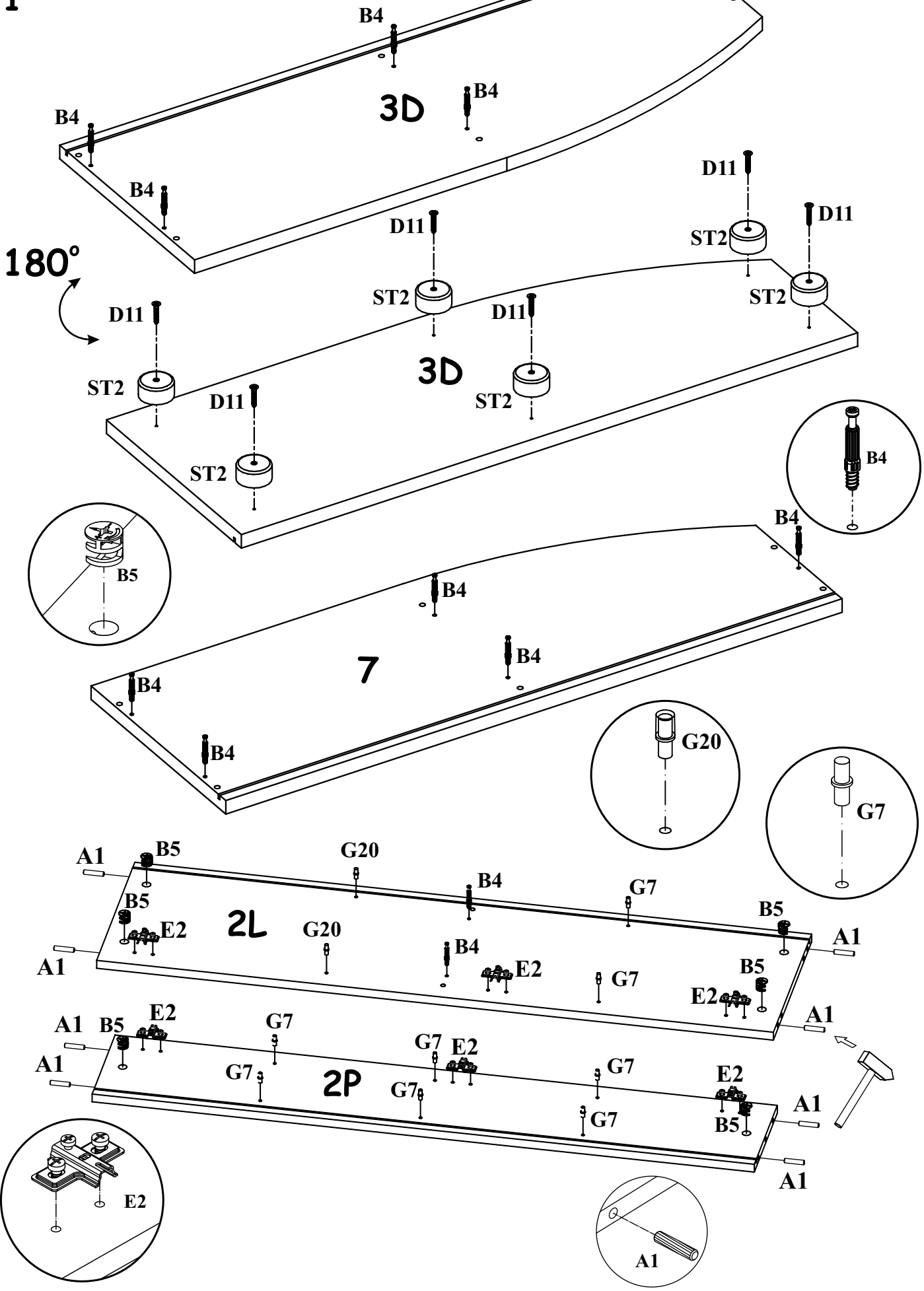


ABW ONTARIO I  
ABW ONTARIO II

# TYPE-40

24....O1  
24....O2

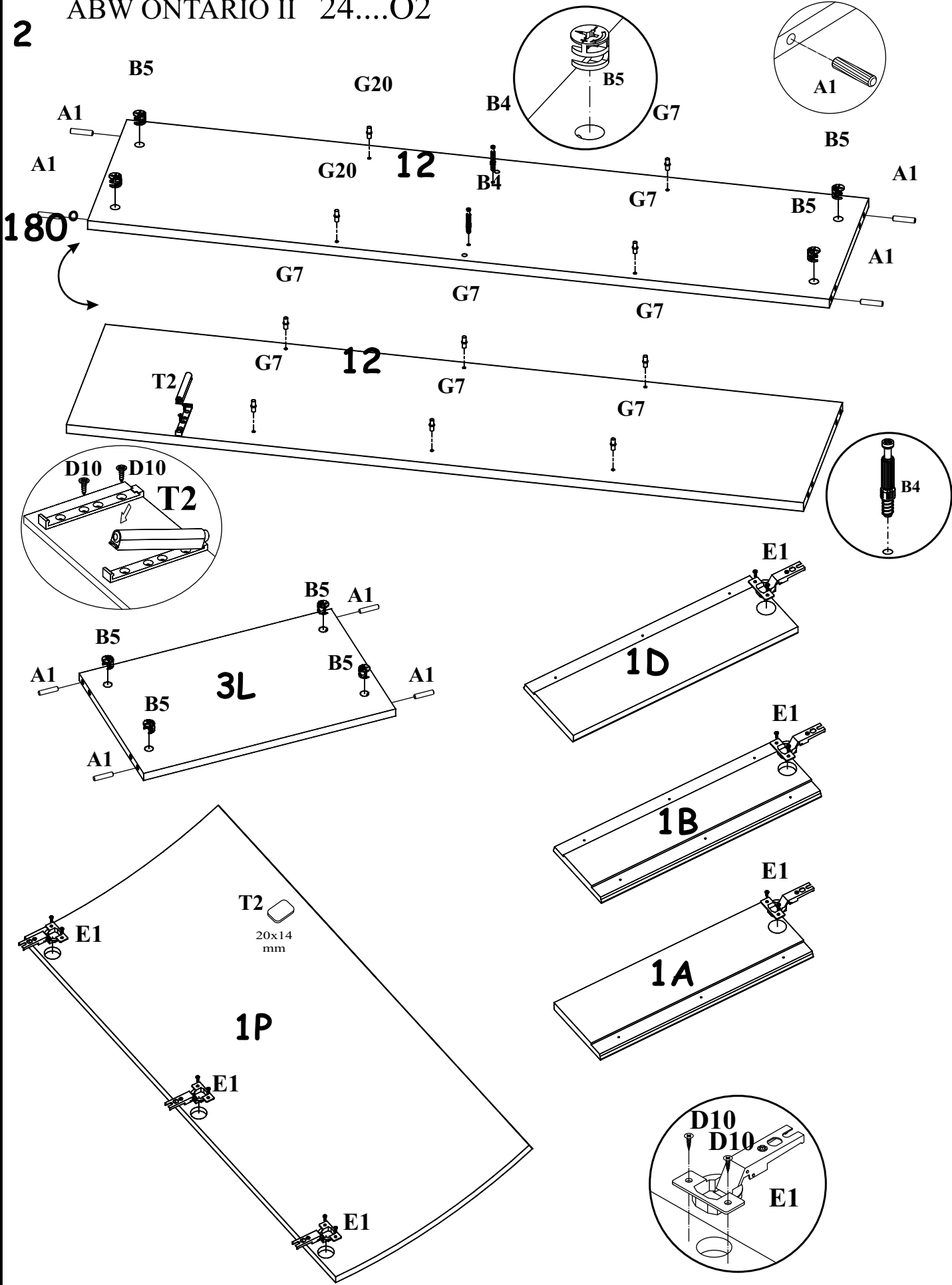
1



ABW ONTARIO I 24...O1  
 ABW ONTARIO II 24...O2

# TYPE-40

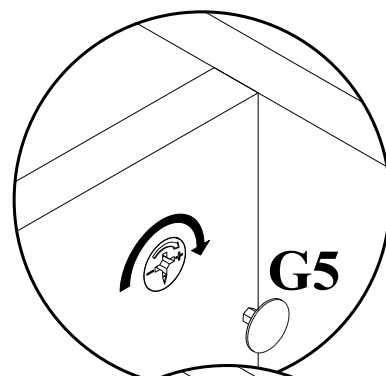
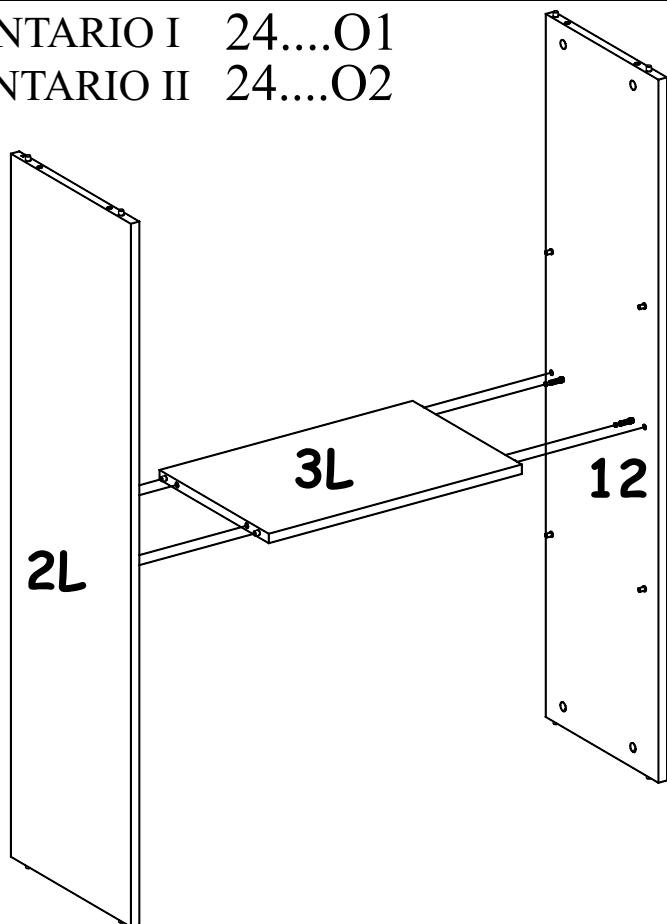
2



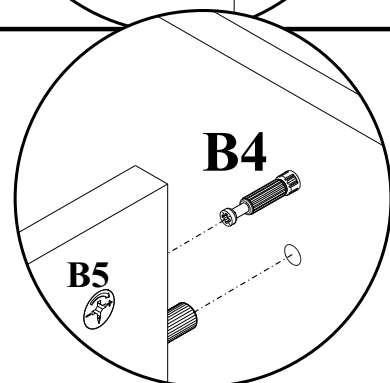
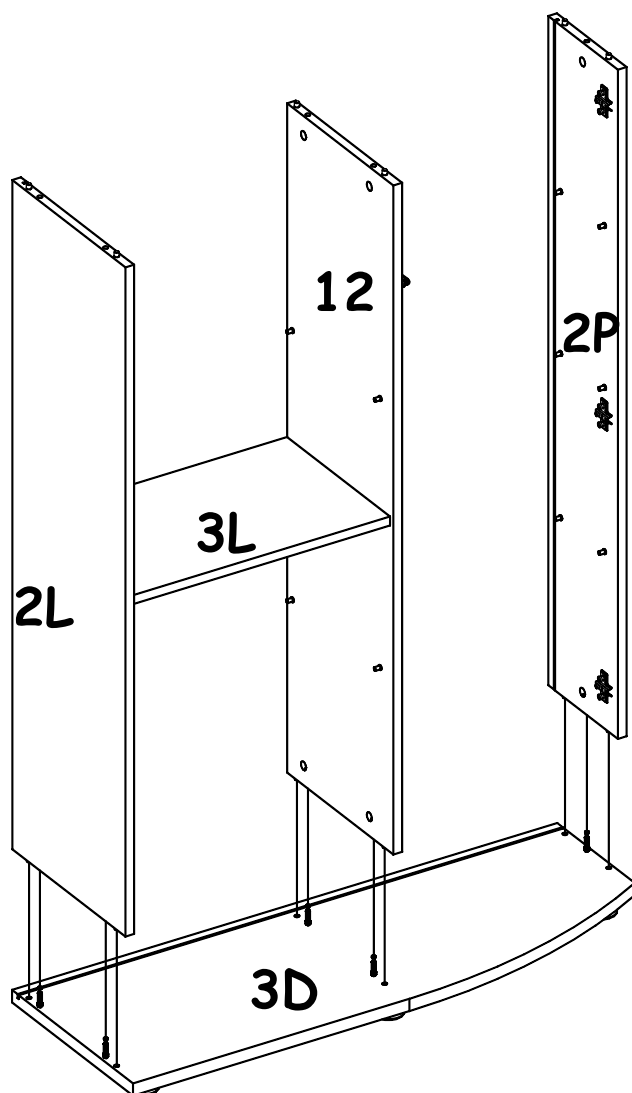
ABW ONTARIO I 24....O1  
ABW ONTARIO II 24....O2

TYPE-40

3



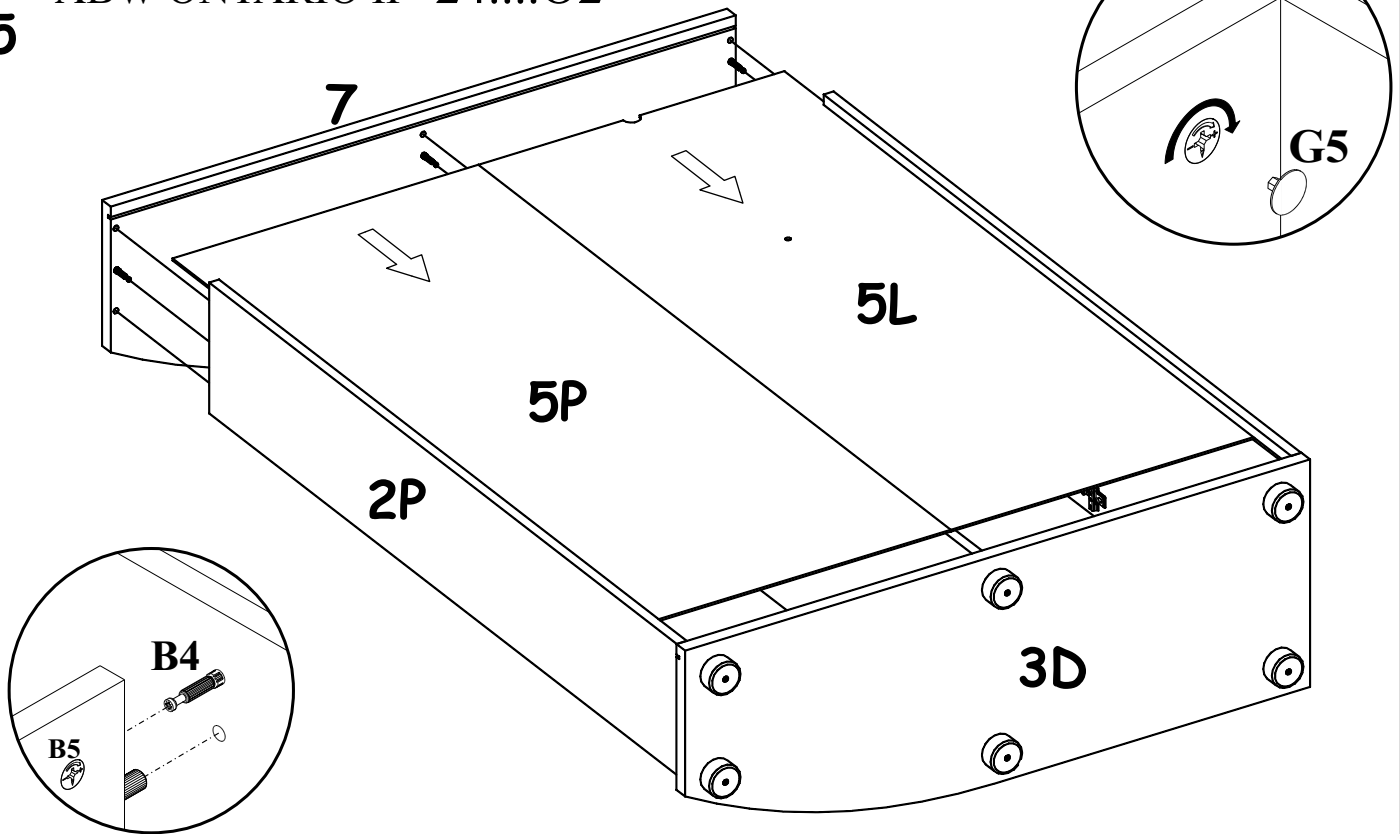
4



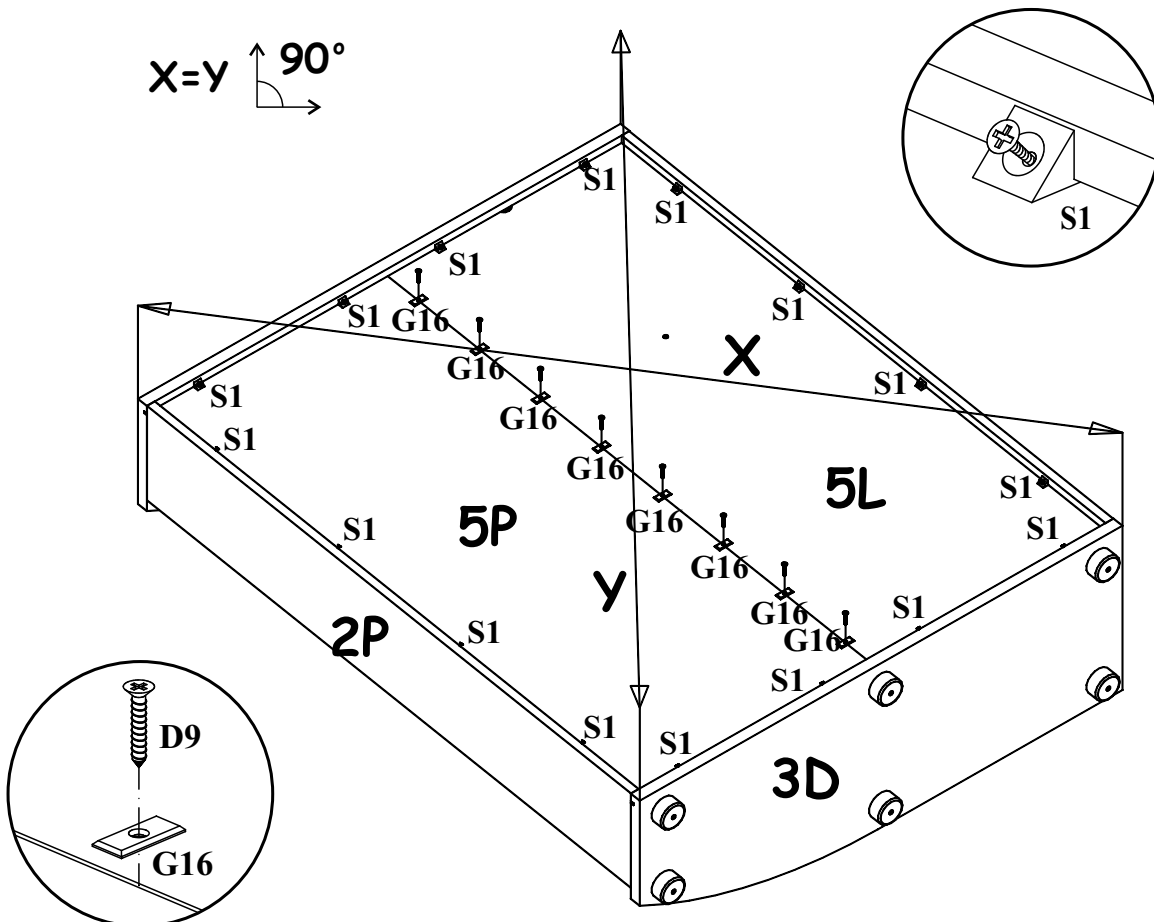
ABW ONTARIO I 24...01  
 ABW ONTARIO II 24...02

TYPE-40

5



6

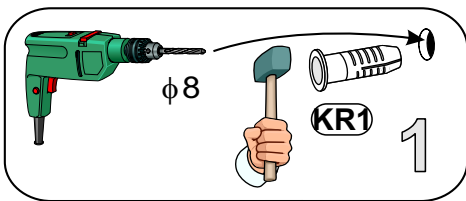
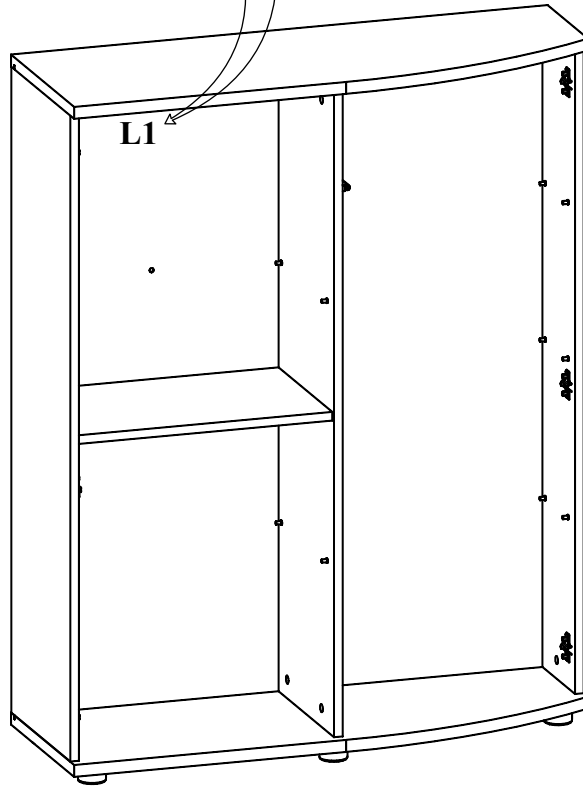
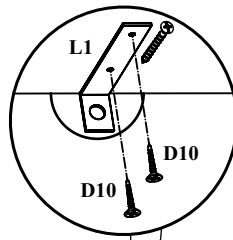
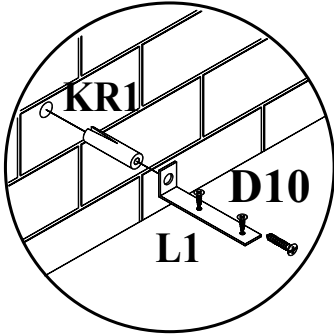




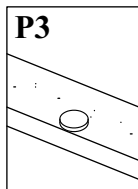
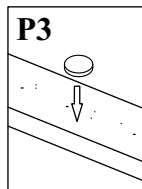
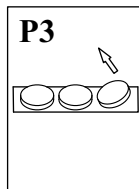
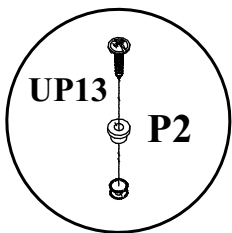
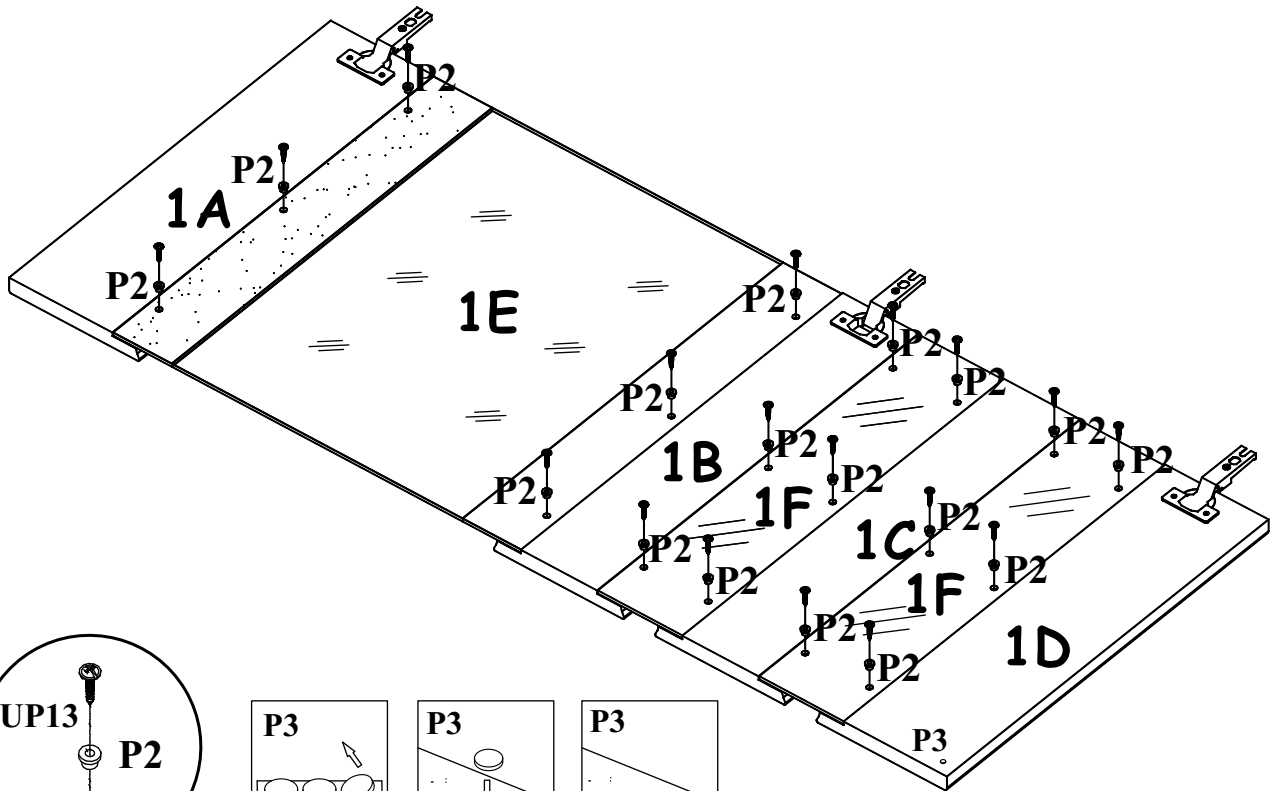
ABW ONTARIO I 24...O1  
 ABW ONTARIO II 24...O2

TYPE-40

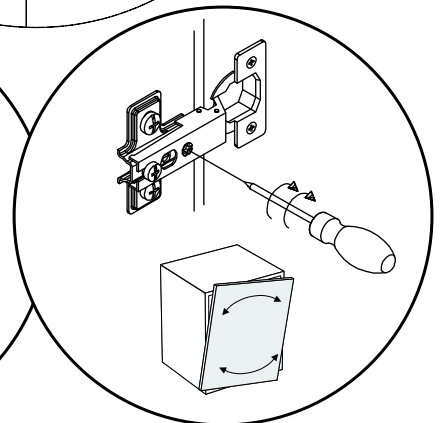
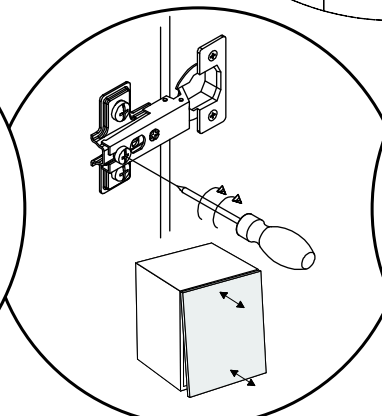
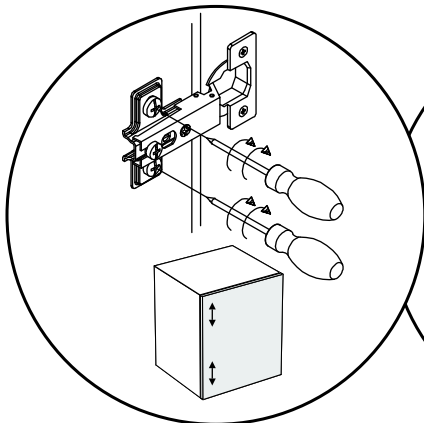
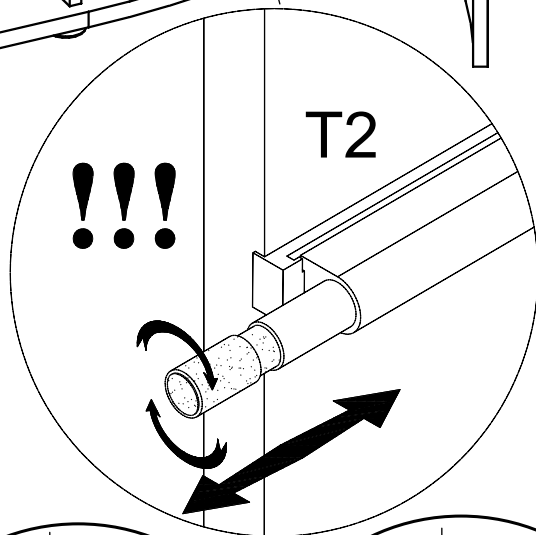
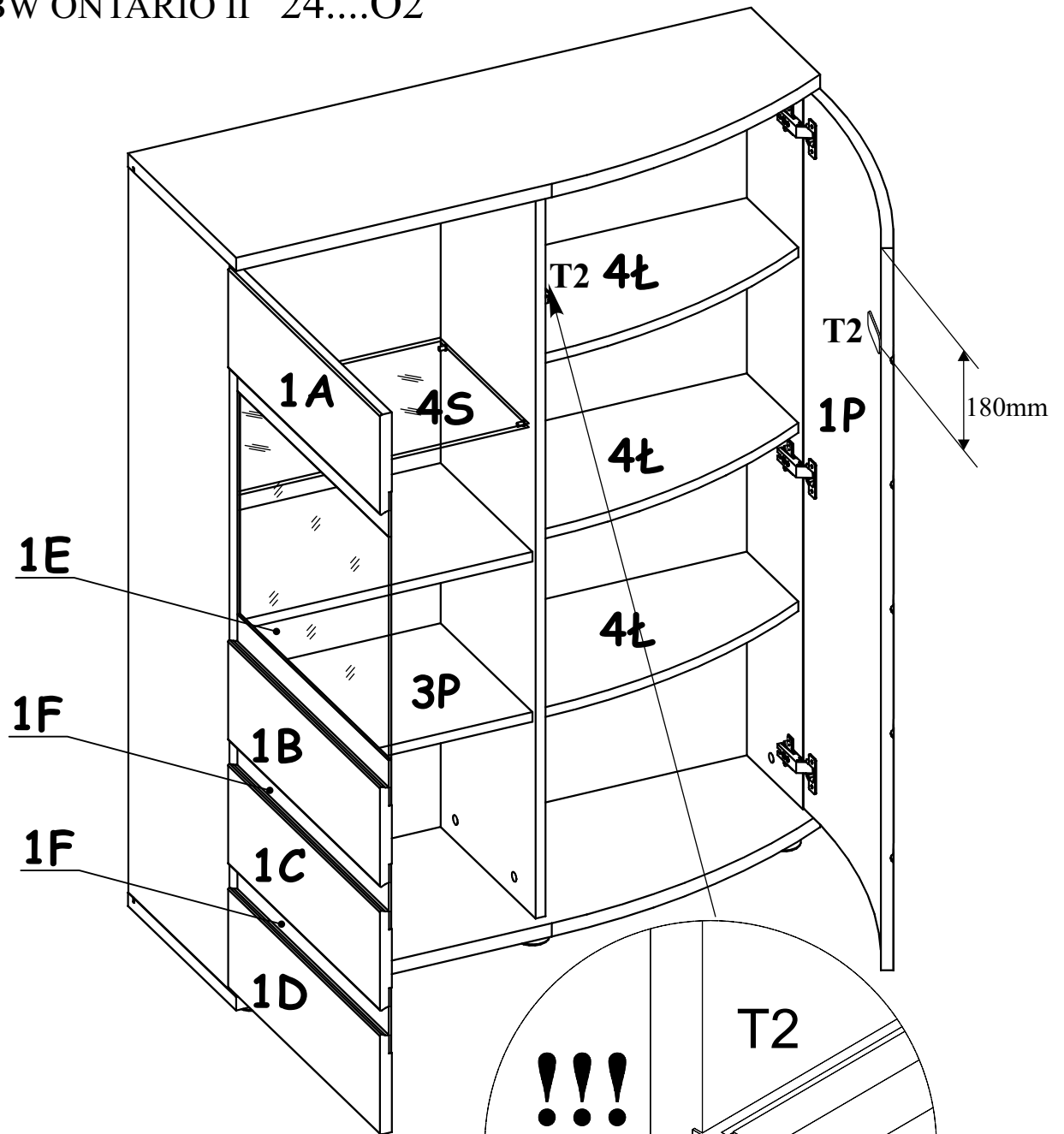
7

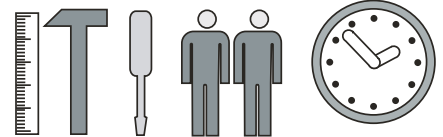
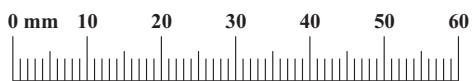
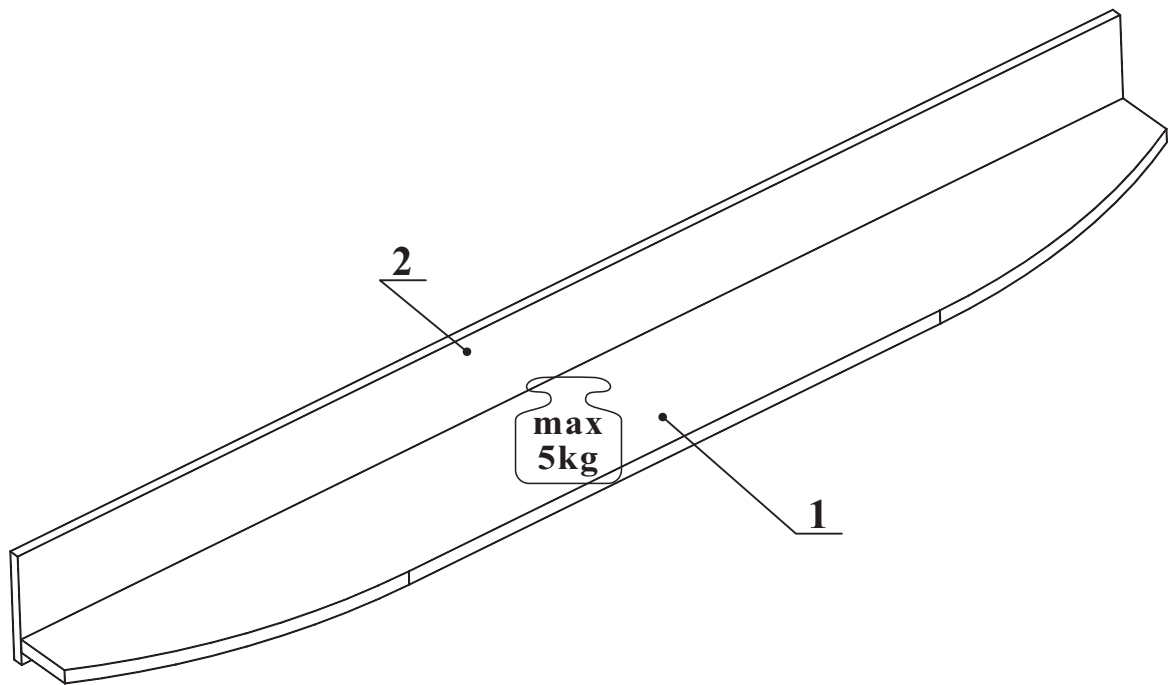
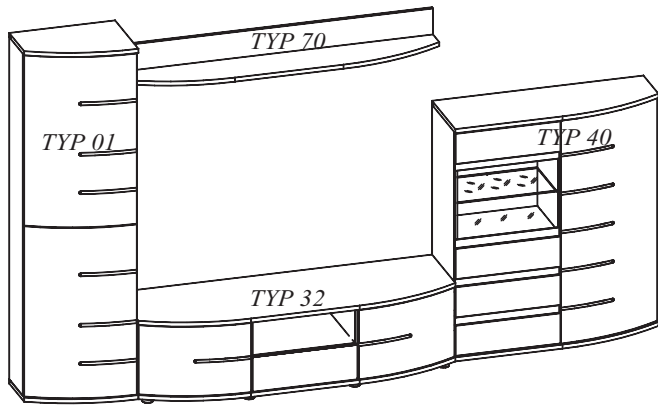


8

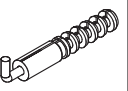




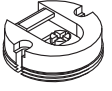
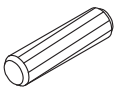


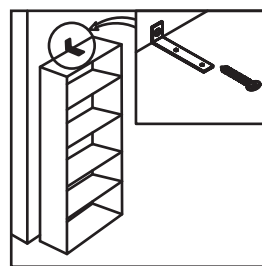
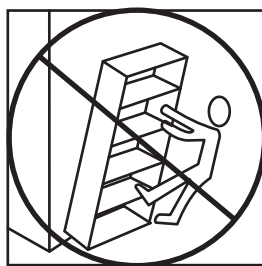
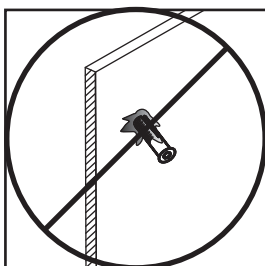
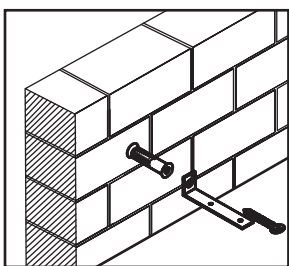
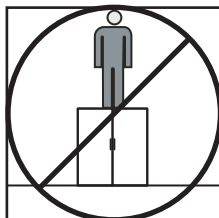
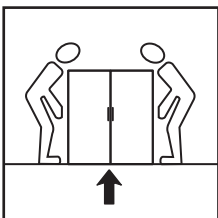
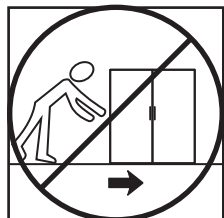
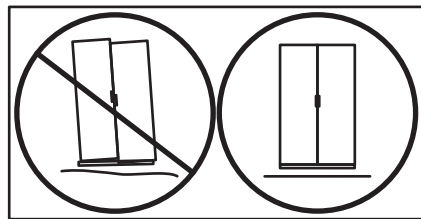
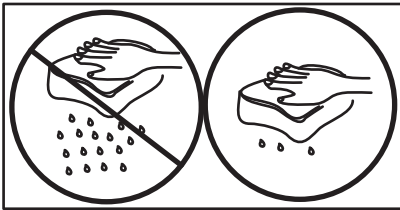
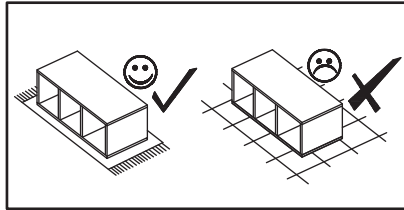
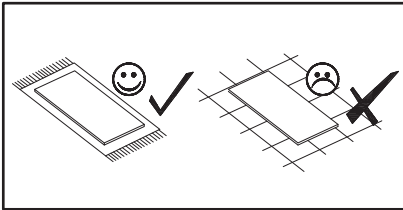
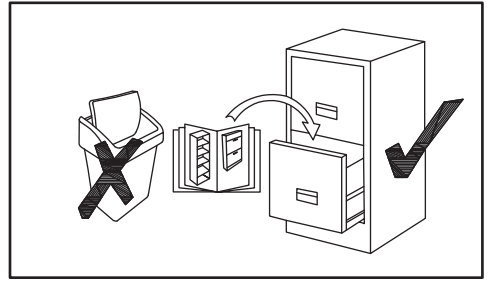
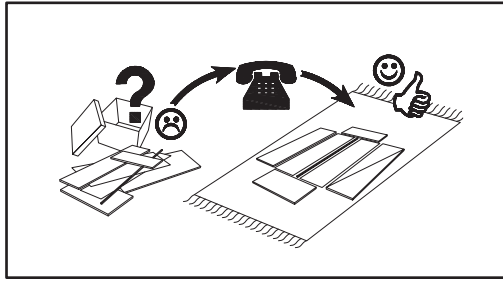
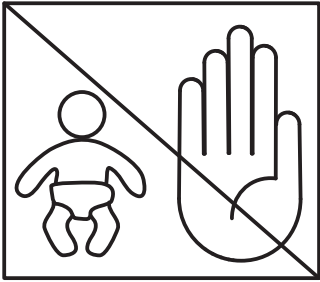
9



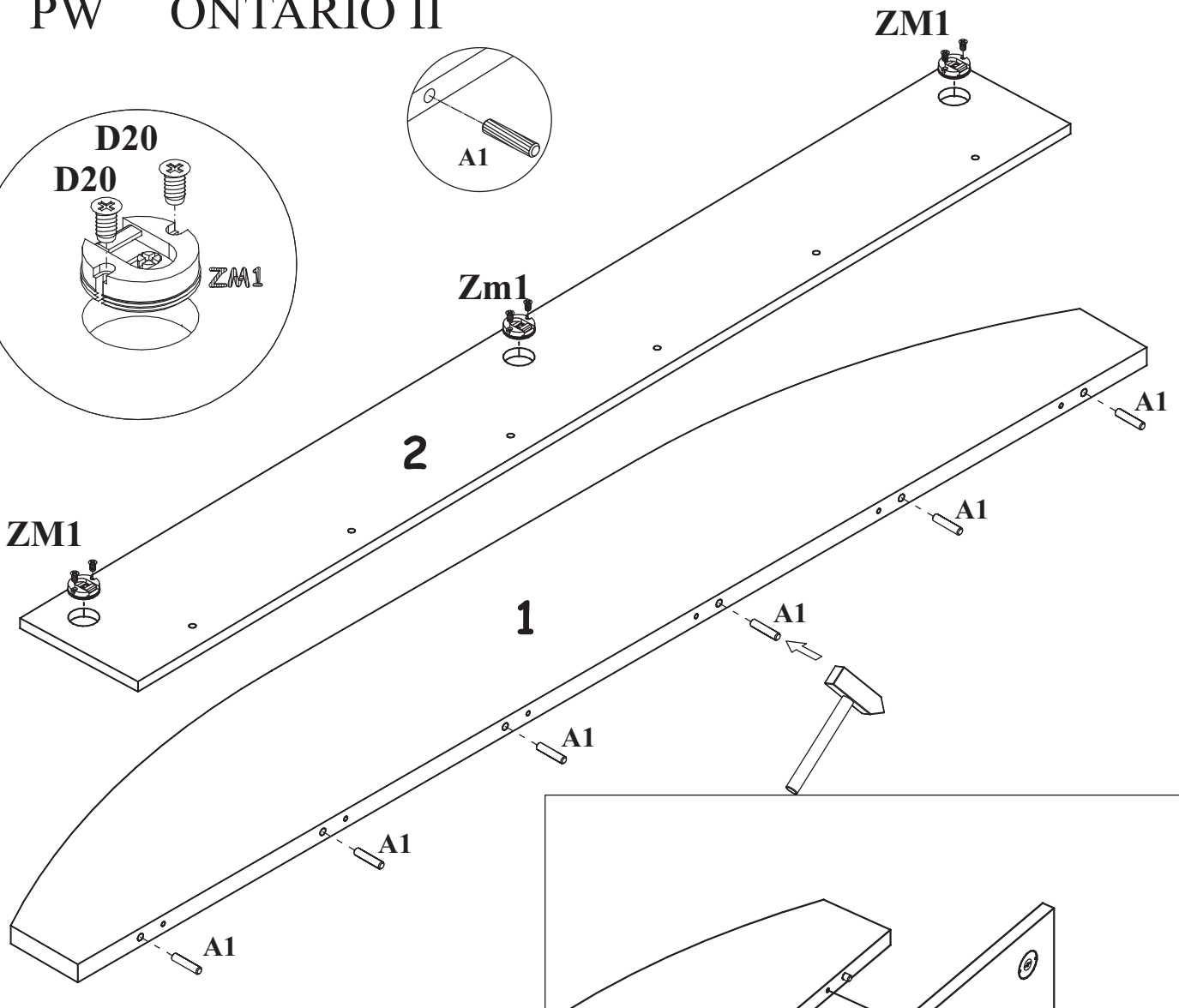
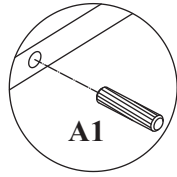
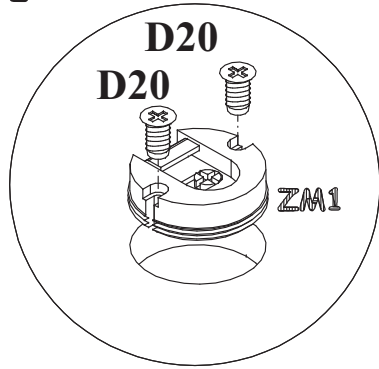


30 min

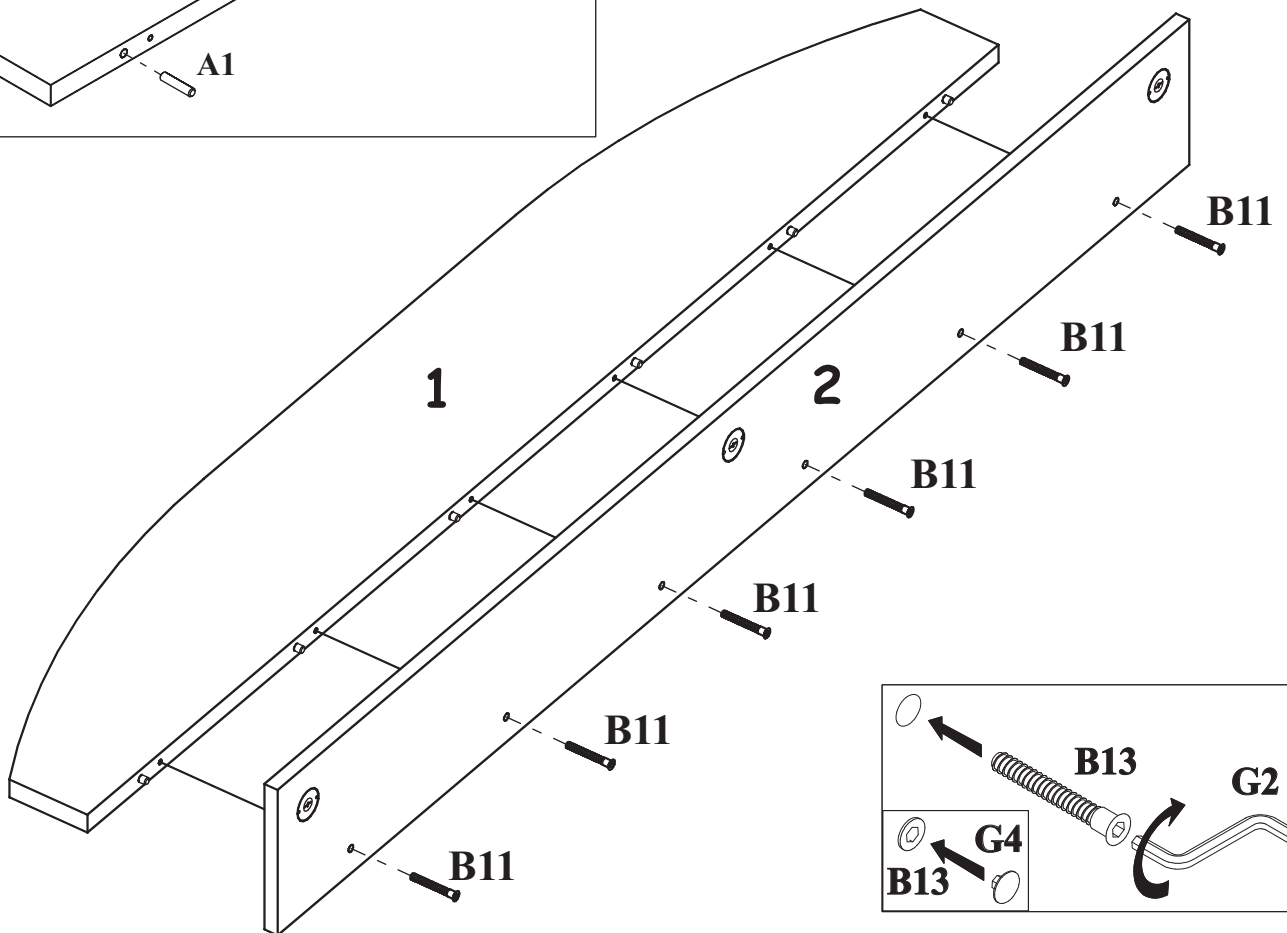
KR2 X3		D20 X6	 ESØ6x9,5	B11 X6	 Ø7x50	G4 X6		G2 X1		ZM1 X3	
A1 X6	 Ø8x36										



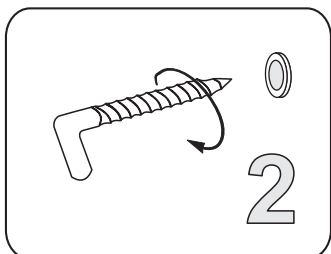
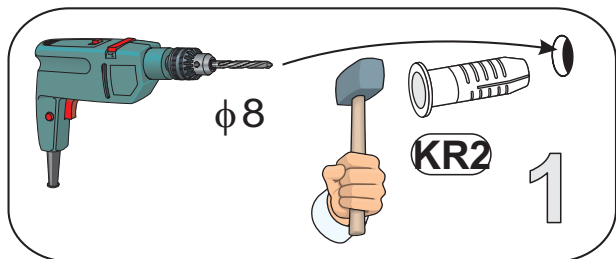
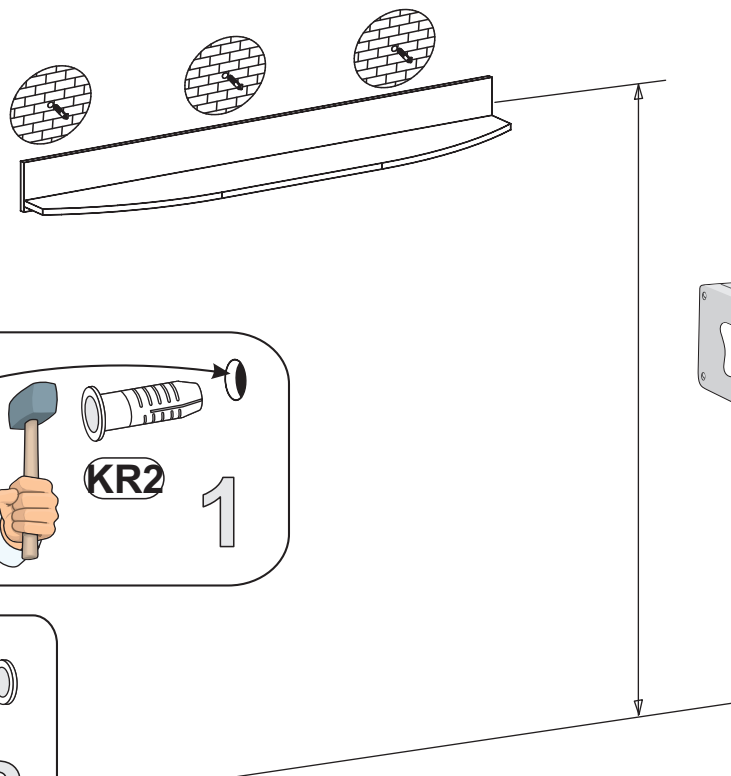
1



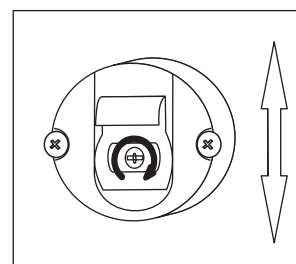
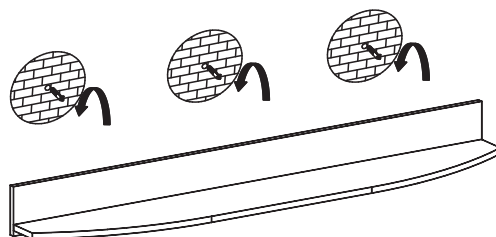
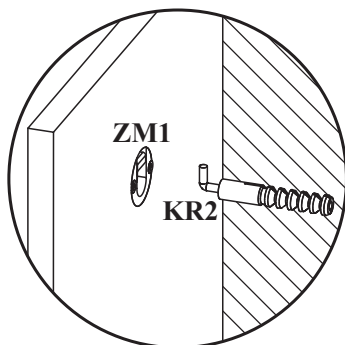
2



3



4



ZM1