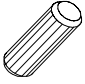





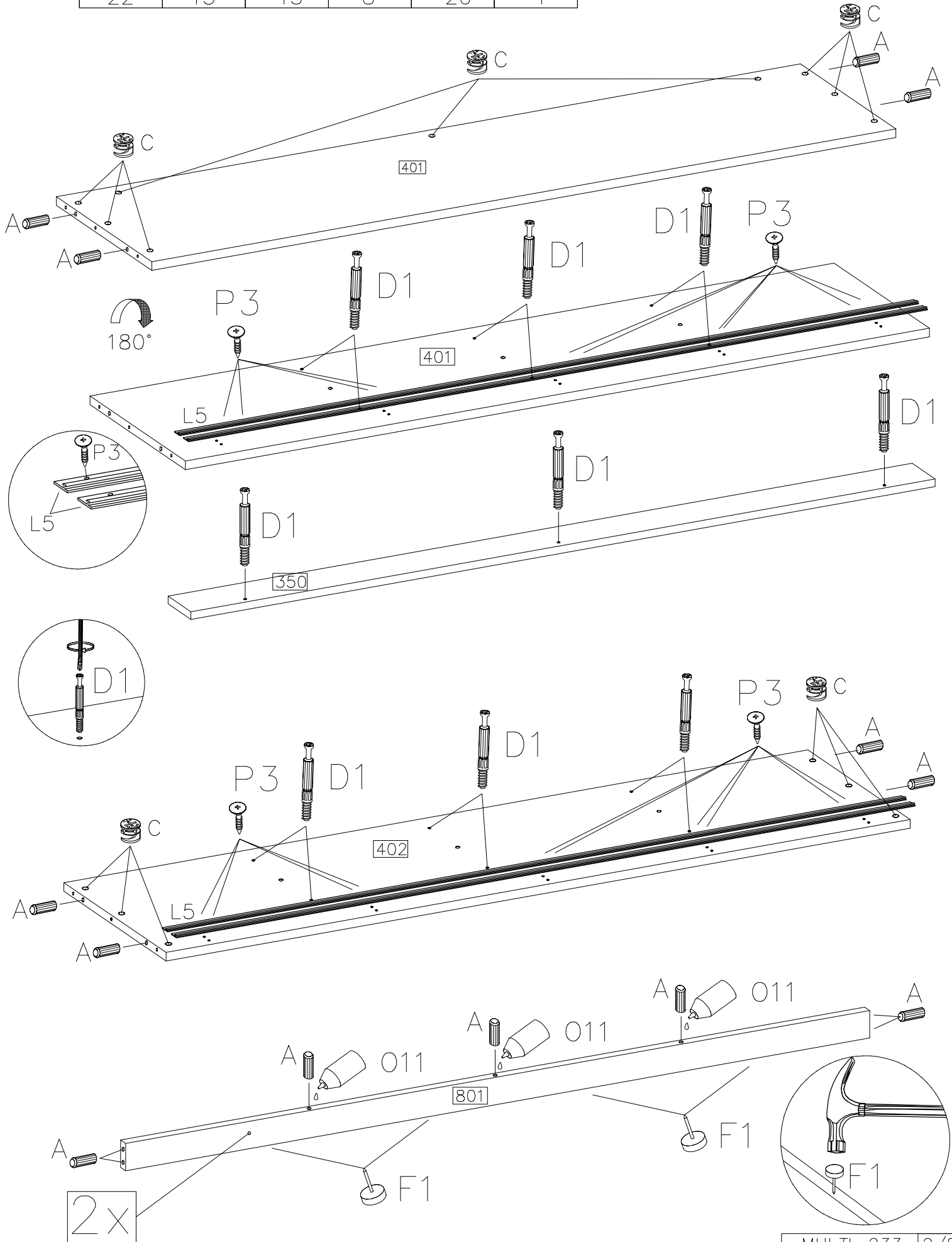
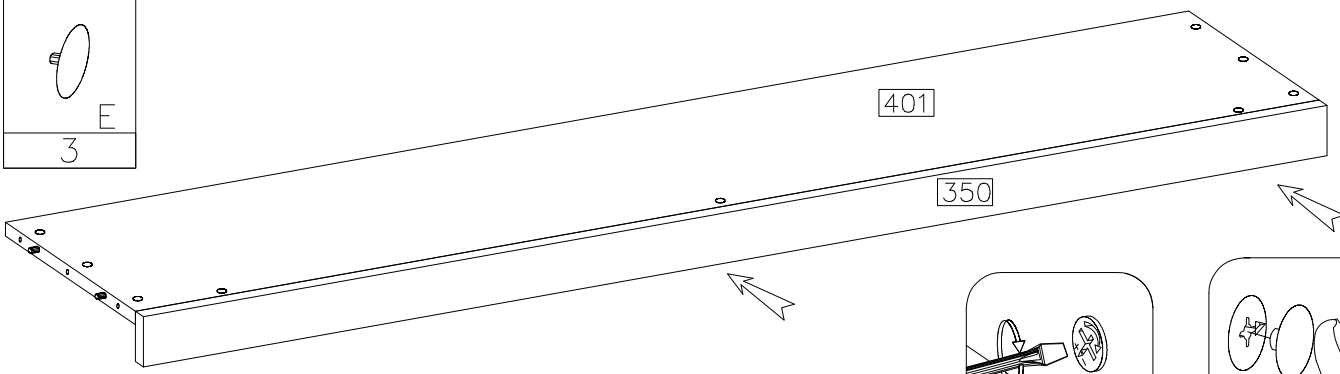
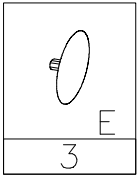


1

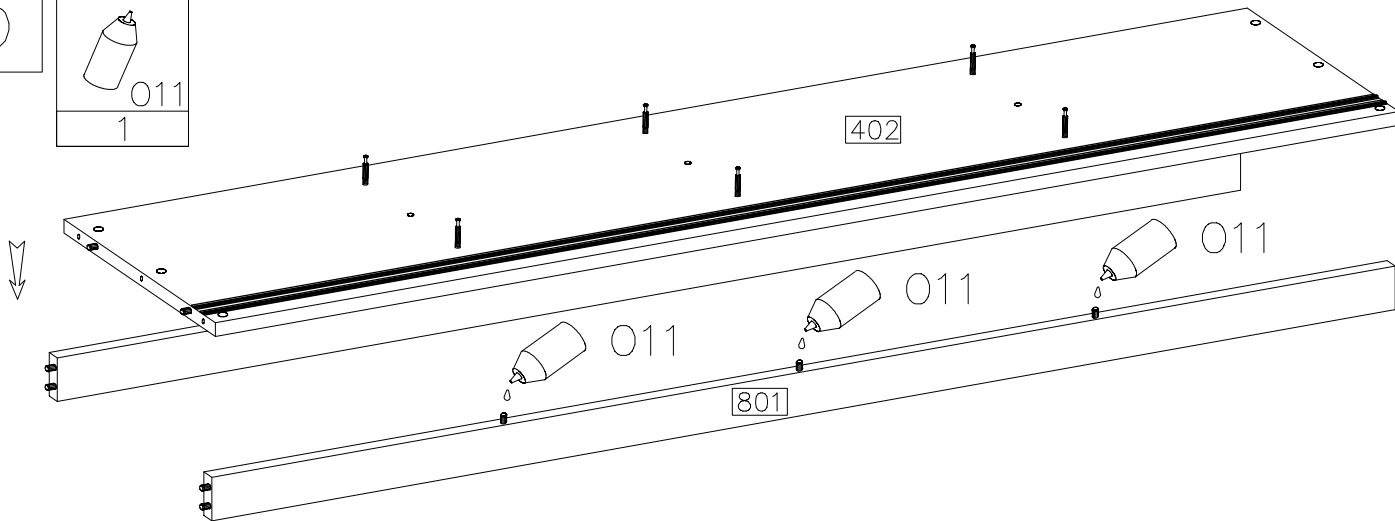
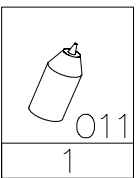
∅8x30mm	∅15/12mm				
					
A	C	D1	F1	P3	L5
22	15	15	8	20	4



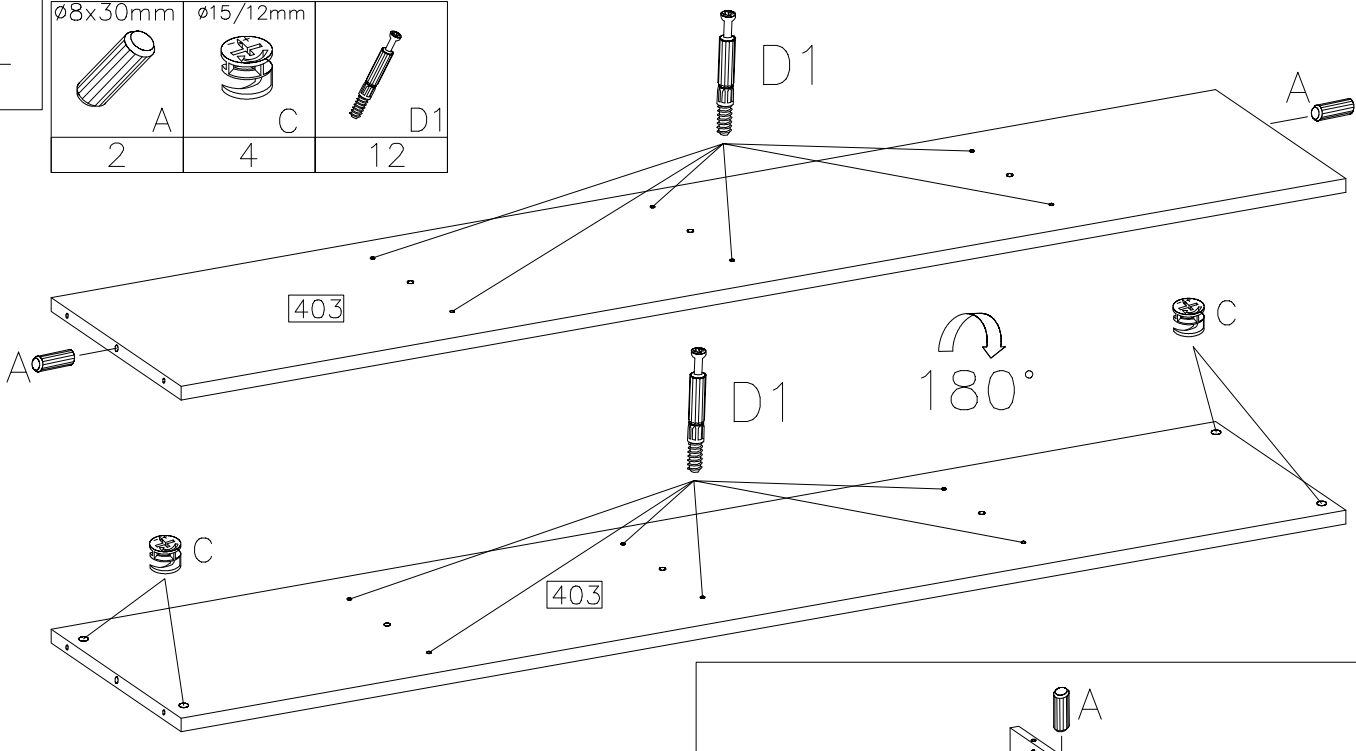
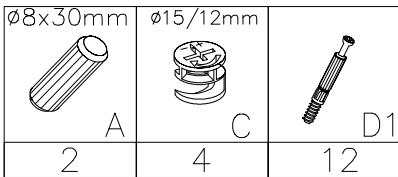
2



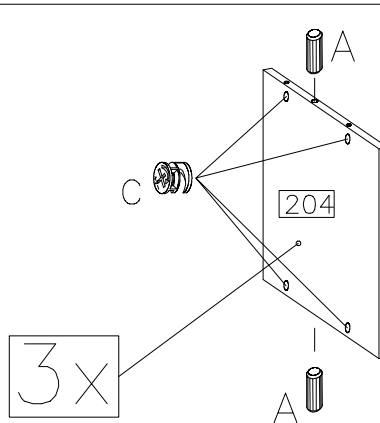
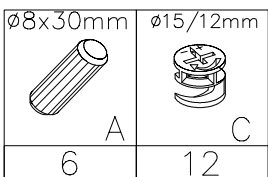
3





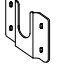
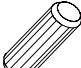

4

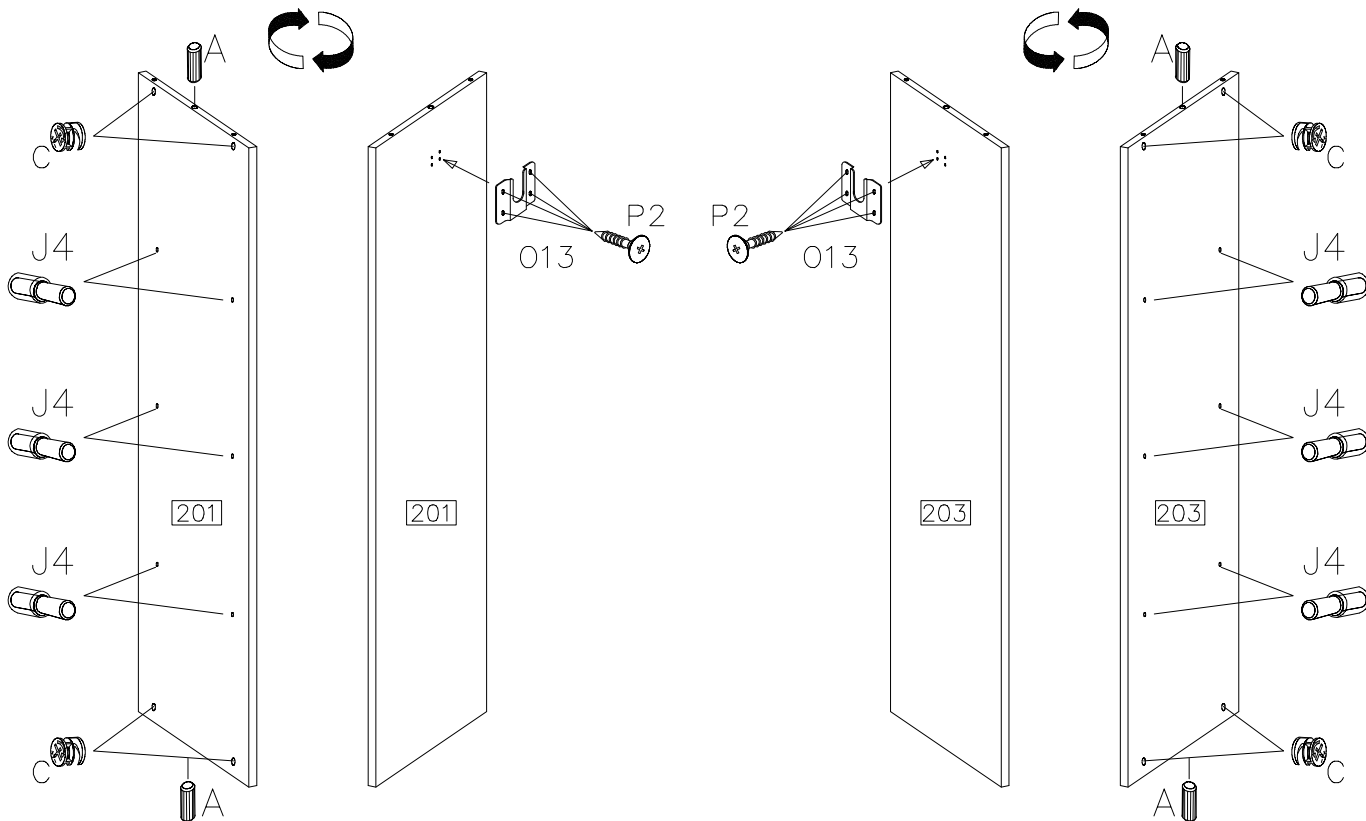


5



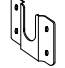

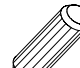



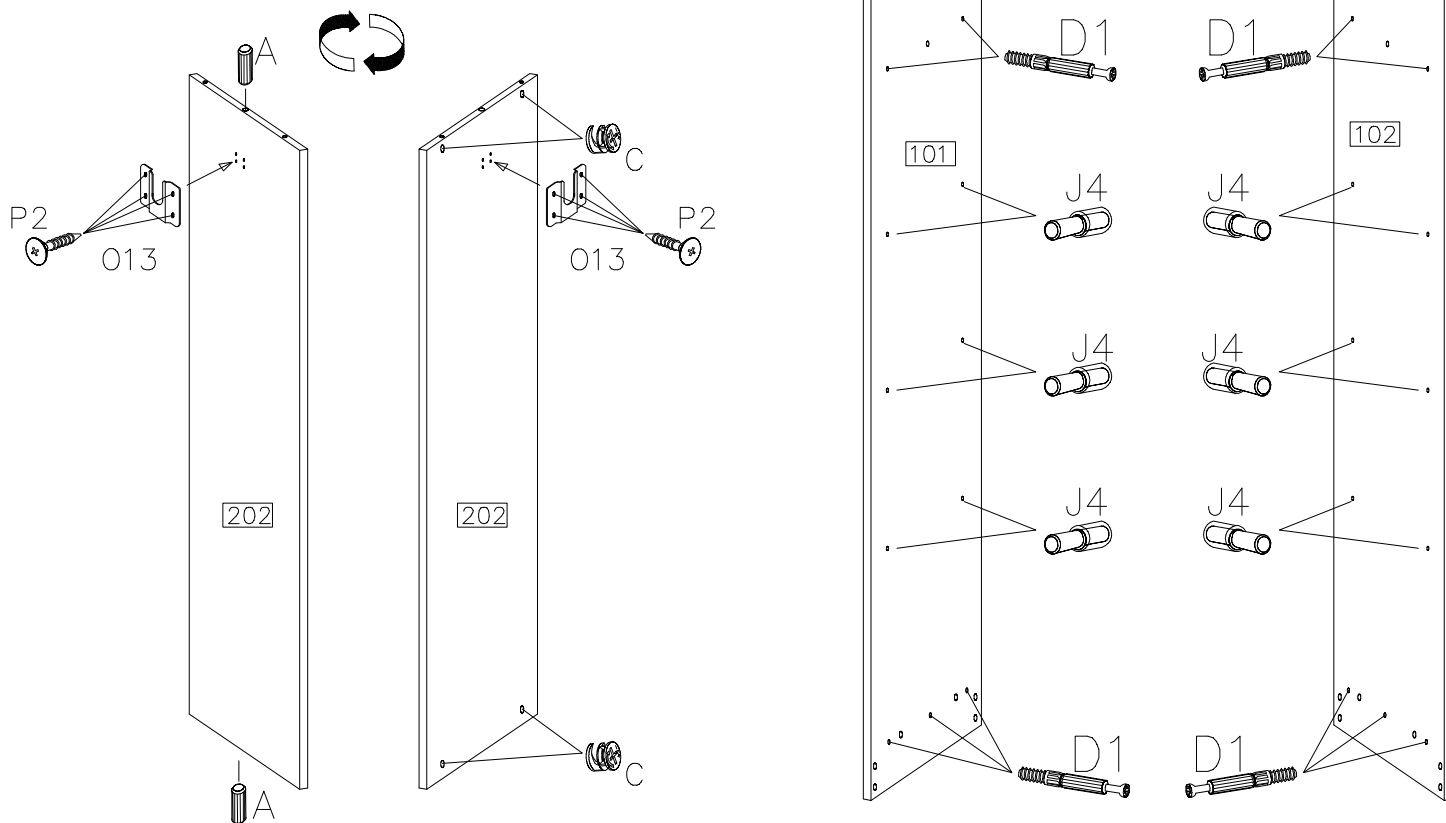
6

 C 8	 J4 12	 O13 2	 A 4	 P2 8
--	--	--	--	---

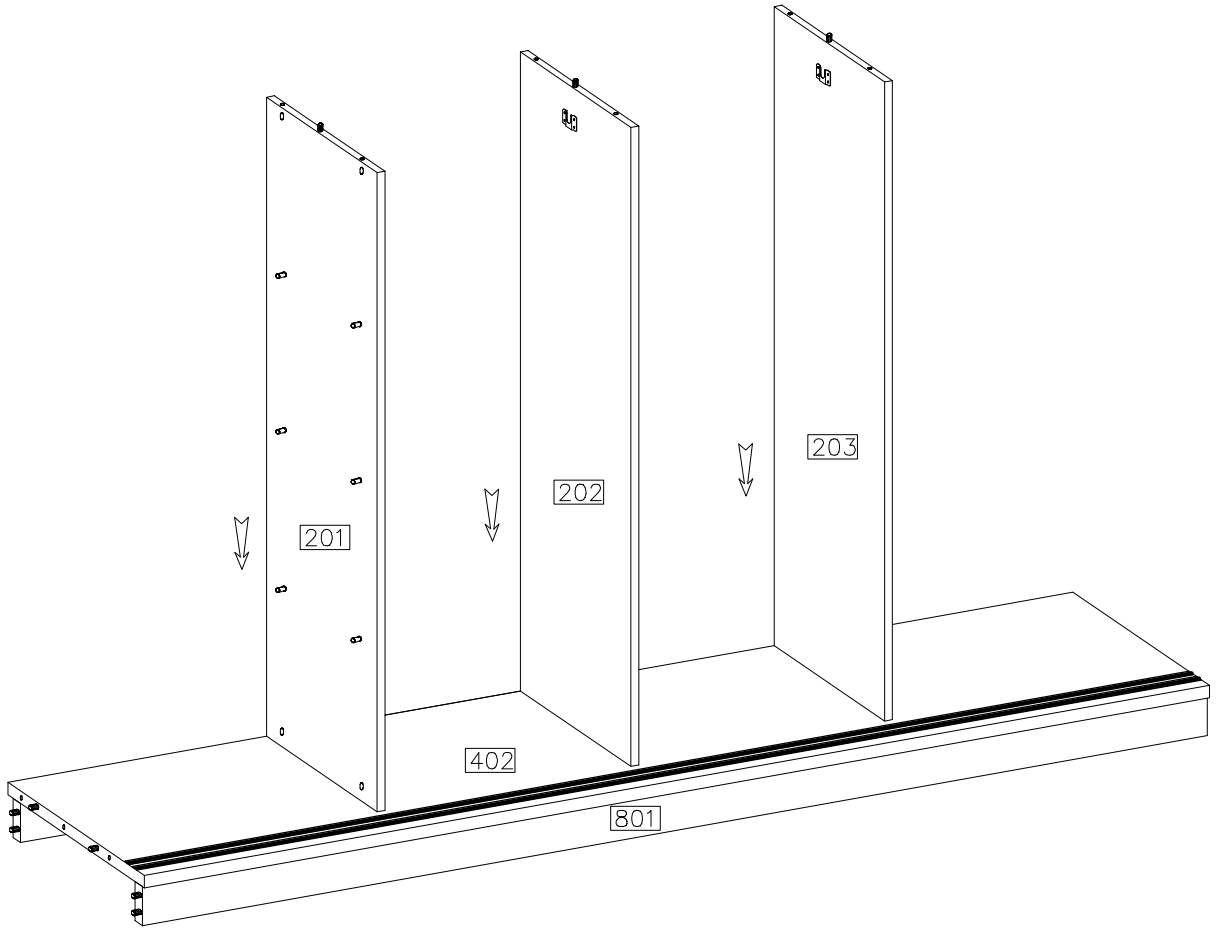
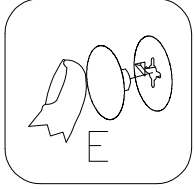
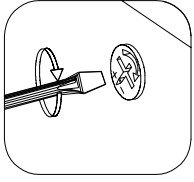
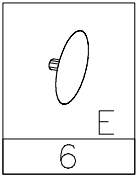


7

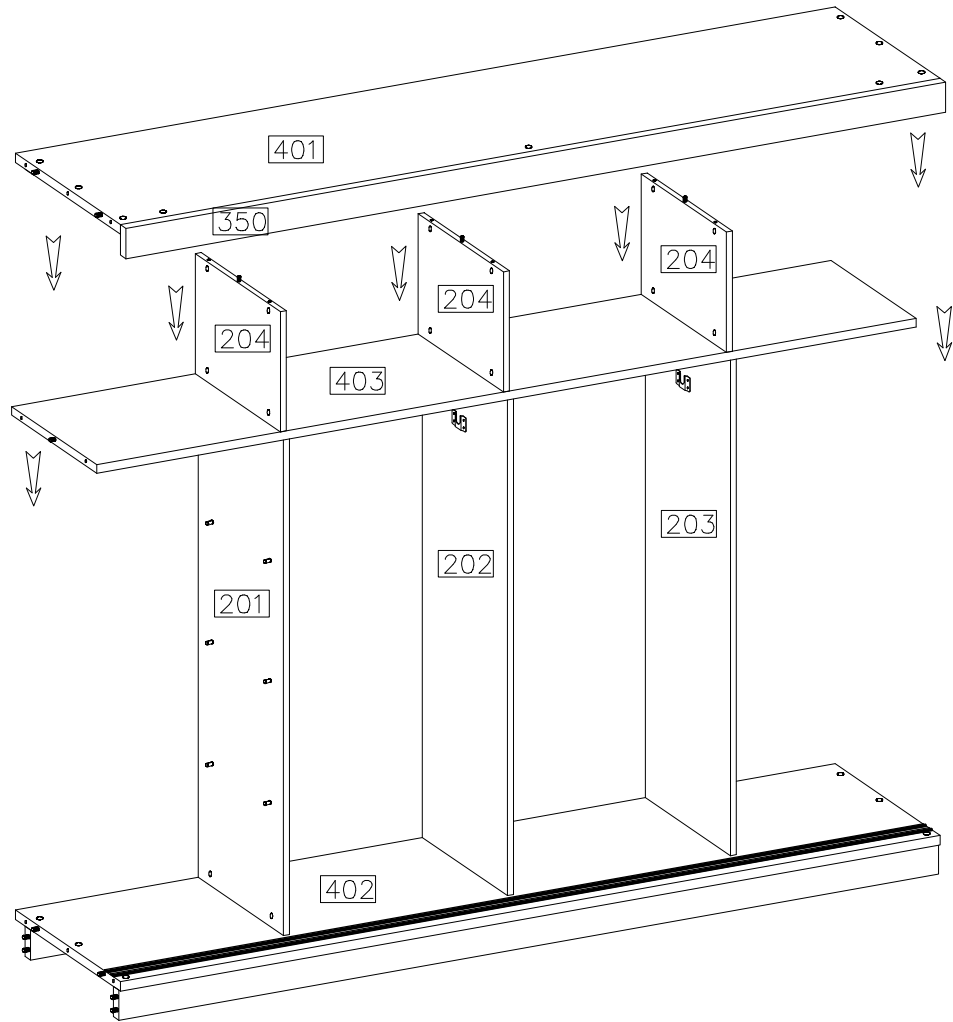
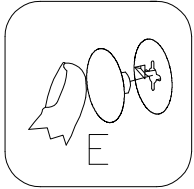
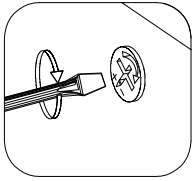
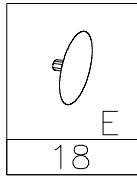
 J4 12	 D1 16	 O13 2	 P2 8	 A 2	 C 4
---	---	---	--	---	---



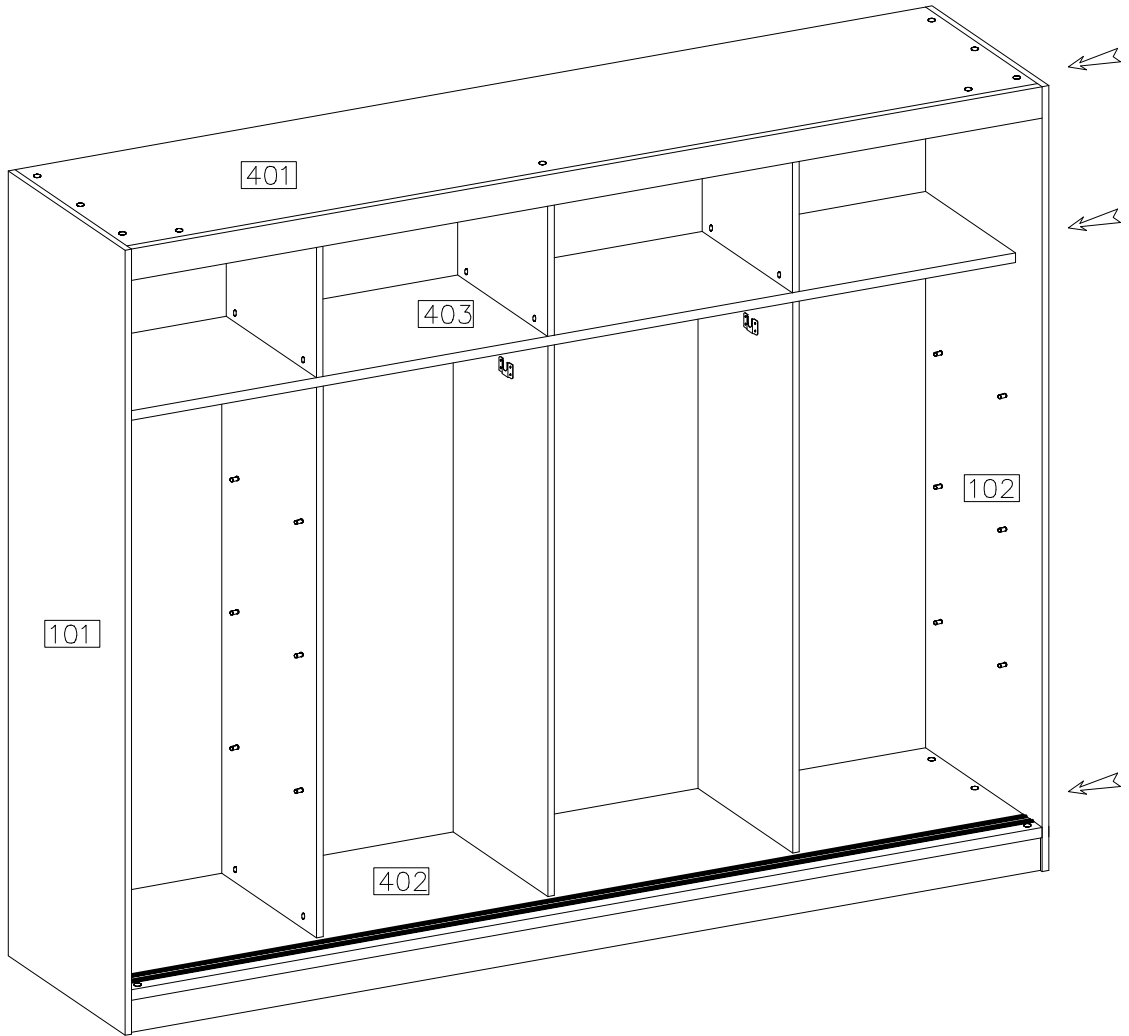
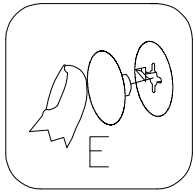
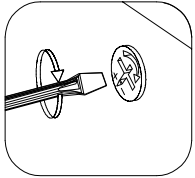
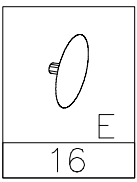
8



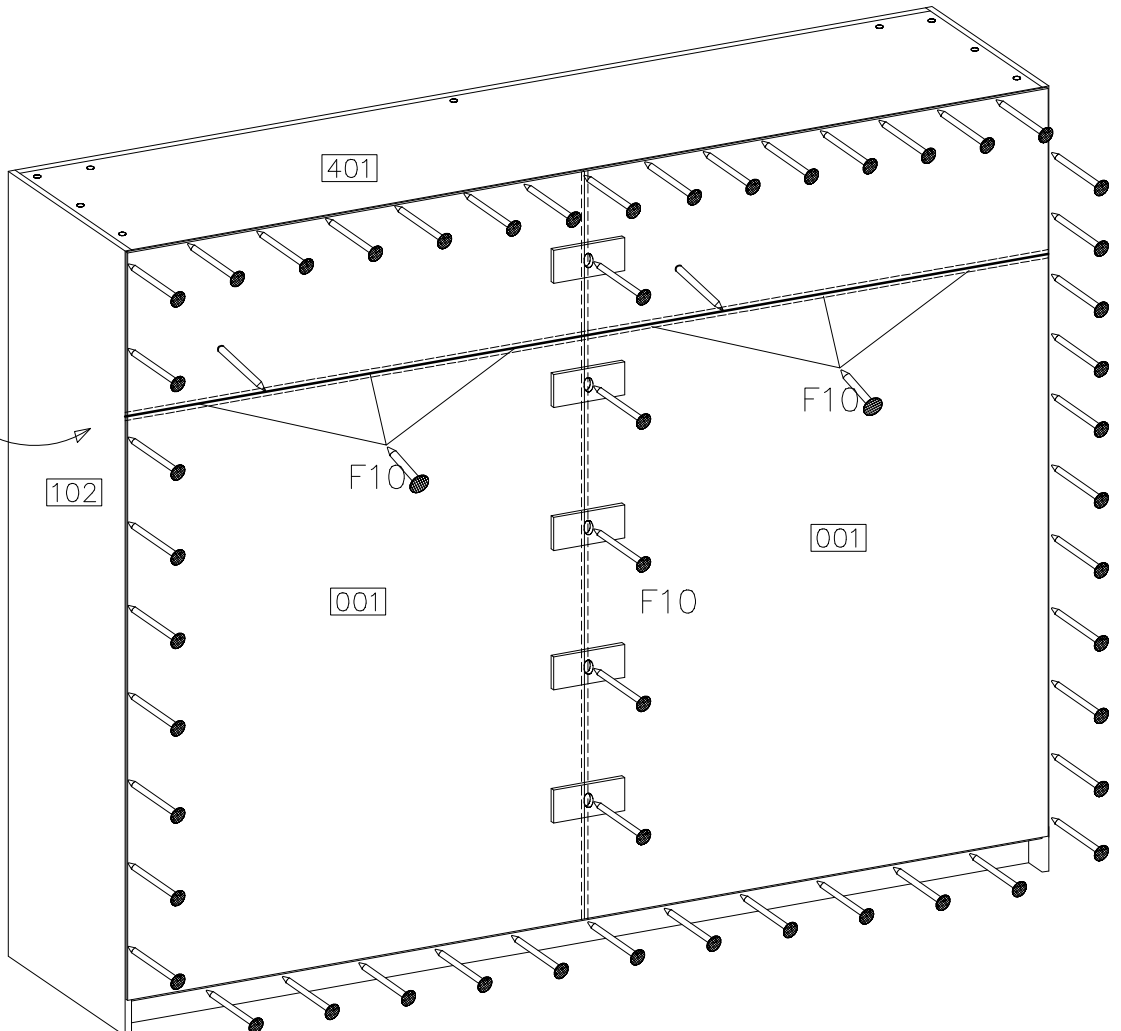
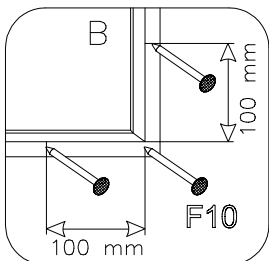
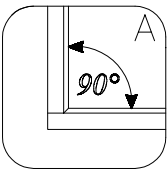
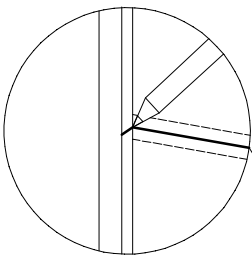
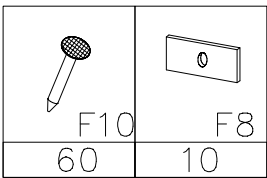
9



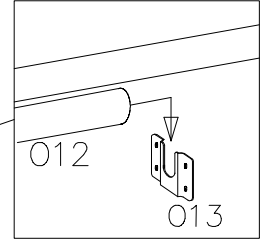
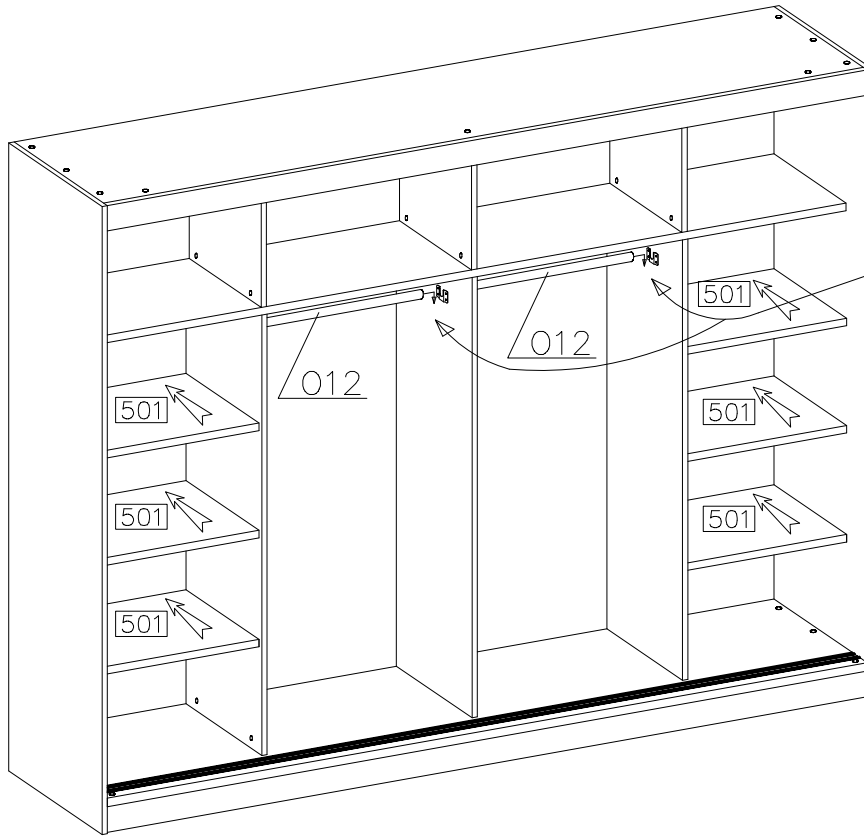
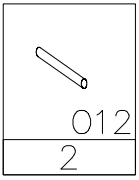
10



11

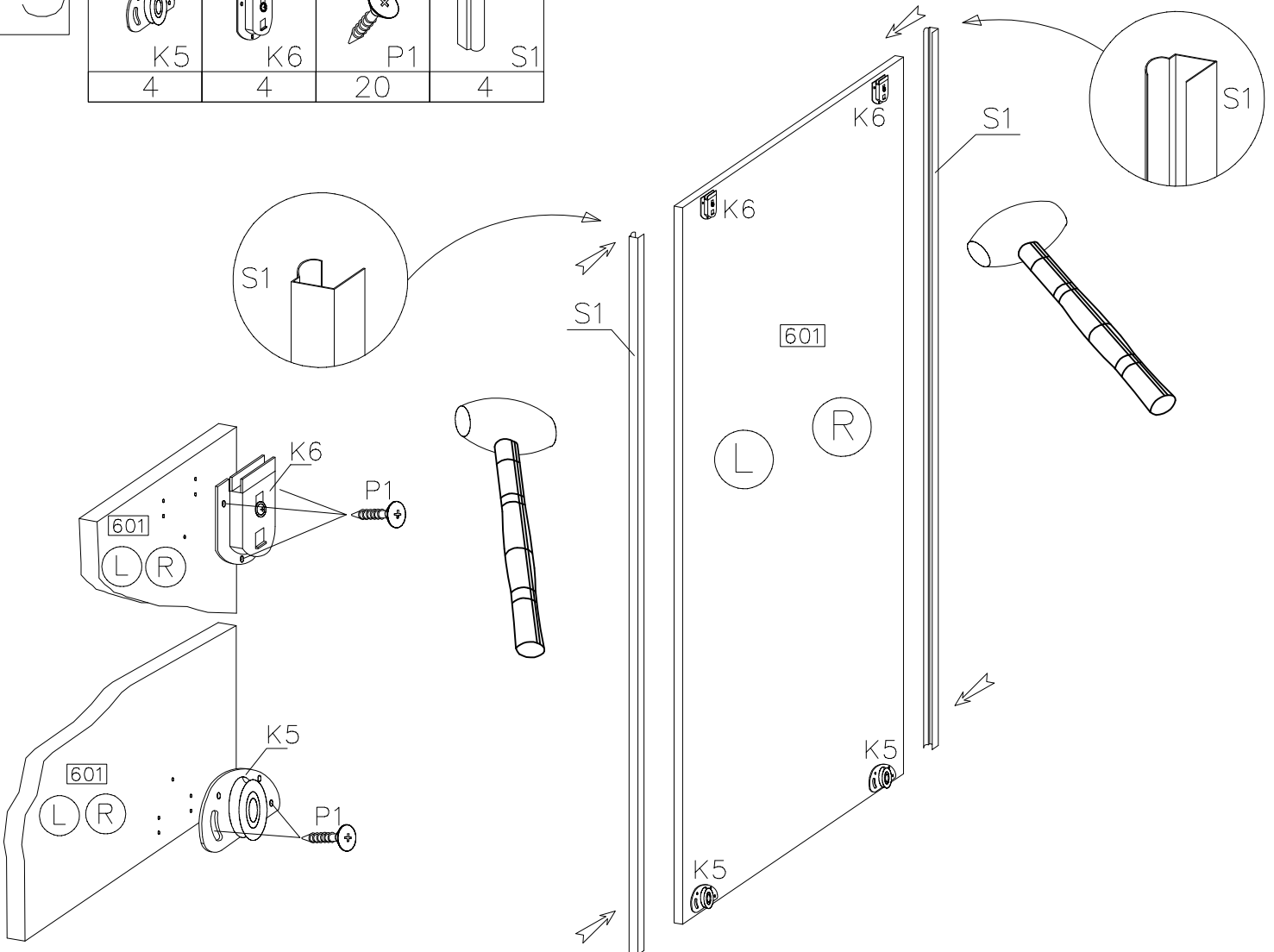


12

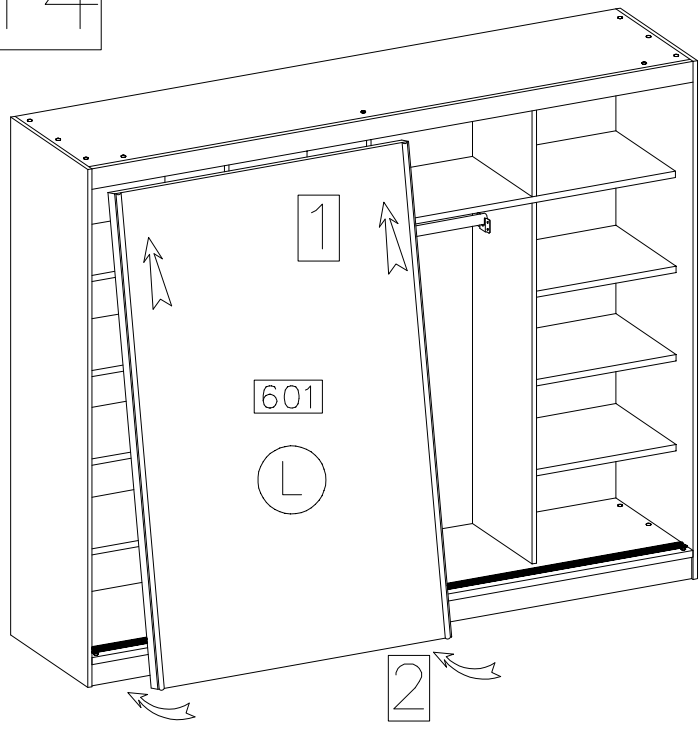


13

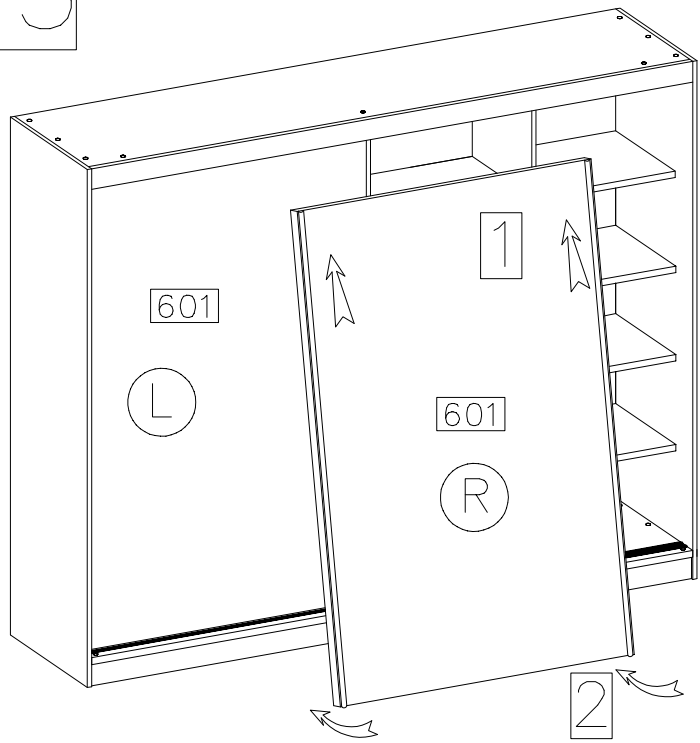
K5	K6	P1	S1
4	4	20	4



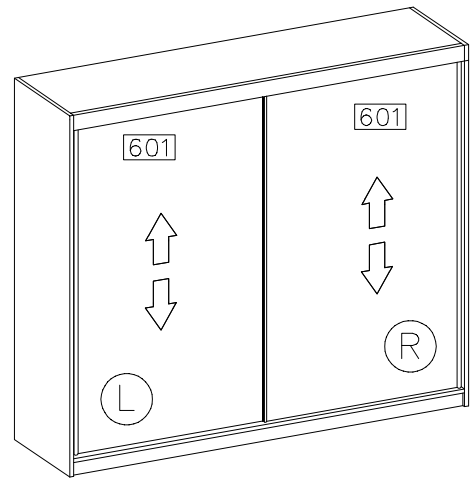
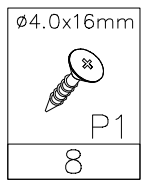
14



15



16



STEP 1
KROK 1

STEP 2
KROK 2

STEP 3
KROK 3

