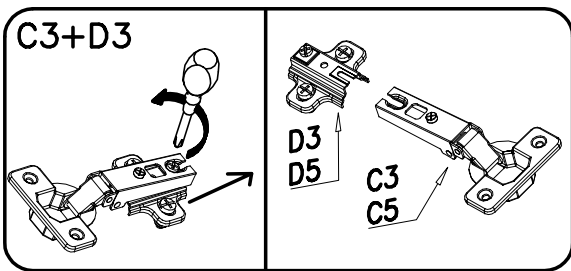
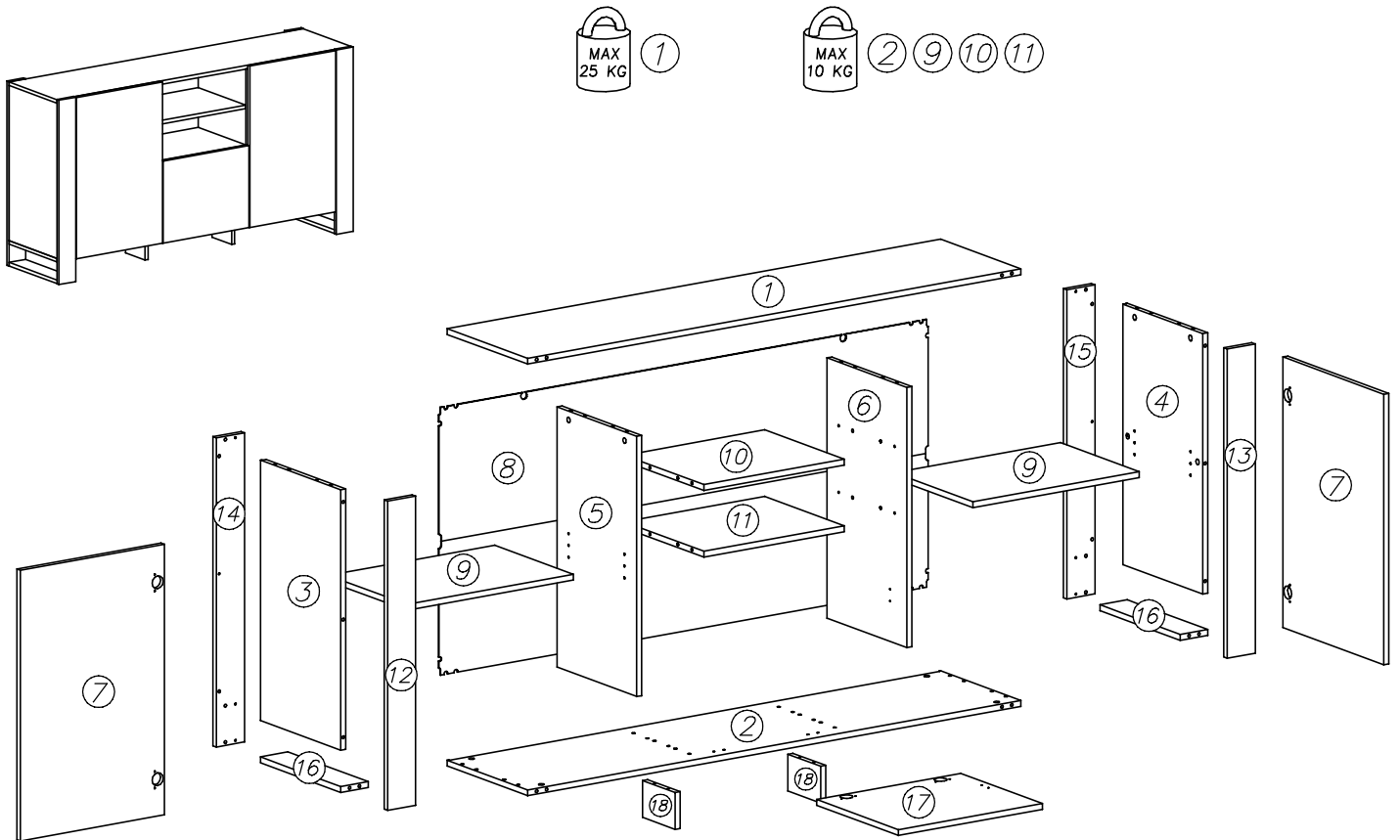
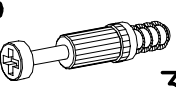

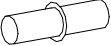

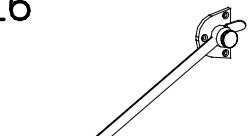



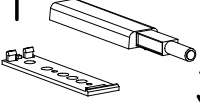
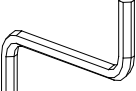

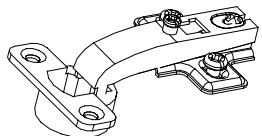
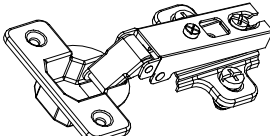
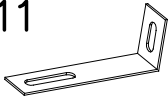
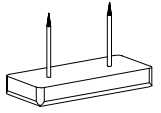

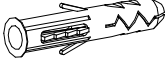


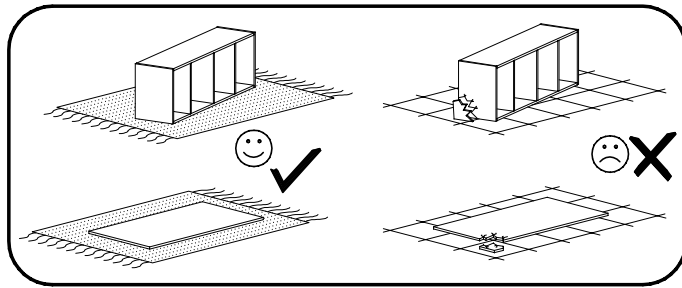


Mondi kom 2d1k/158

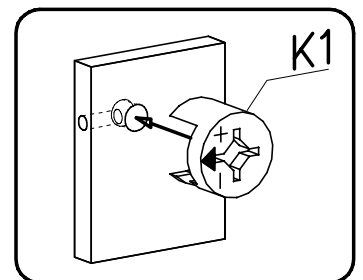
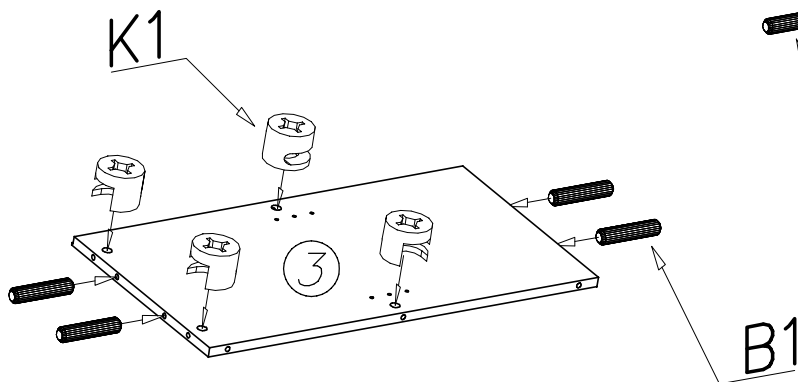
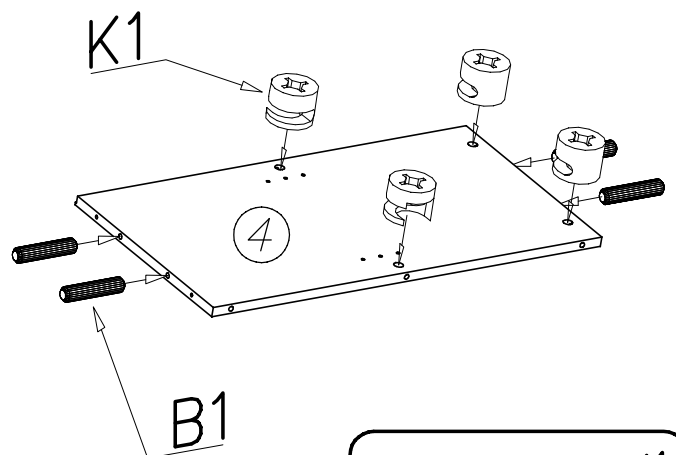
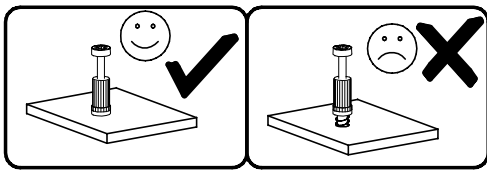
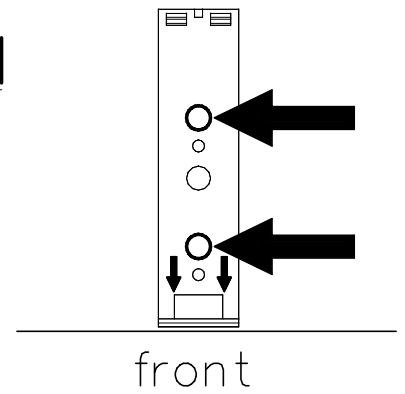
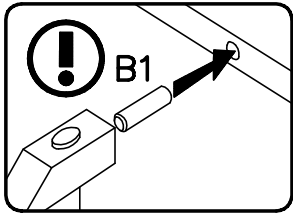
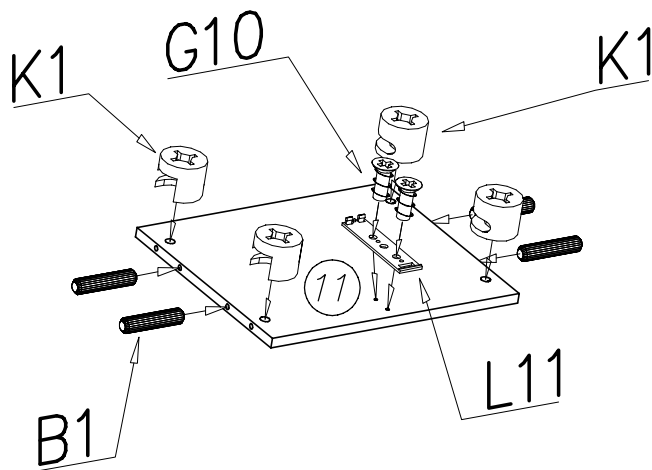
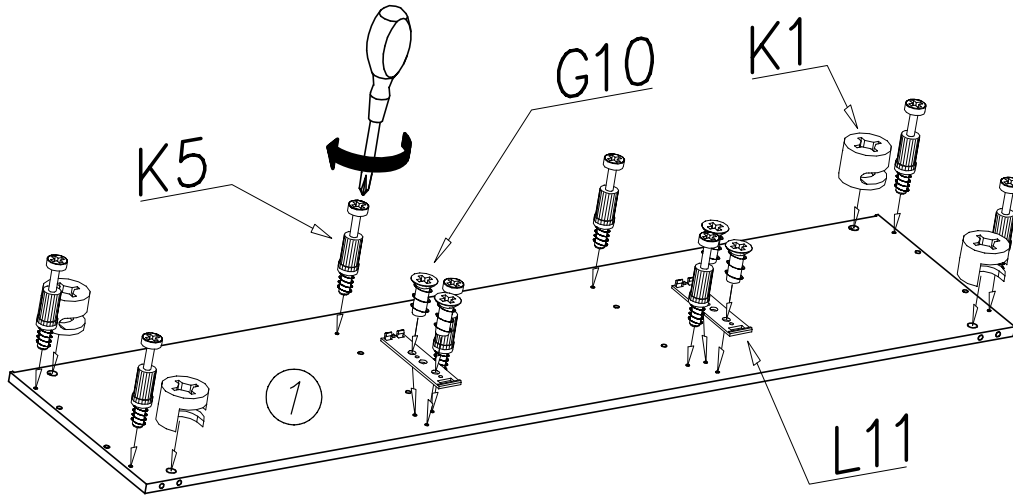


K5  32x	K1  ø15x12 32x	F2  8x	G34  3,5x16 16x	L6  1x
W4  75x	B1  ø8x30 44x	I7  ø18 28x	L11  3x	W2  4mm 1x
G10  6x13 6x	C5+D5  Z35R0 4x	C3+D3  Z35PR 2x	M11  2x	P5  6x
A1  ø7x50 12x	U8  ø8x40 2x	G24  4x16 4x	G33  4x40 2x	

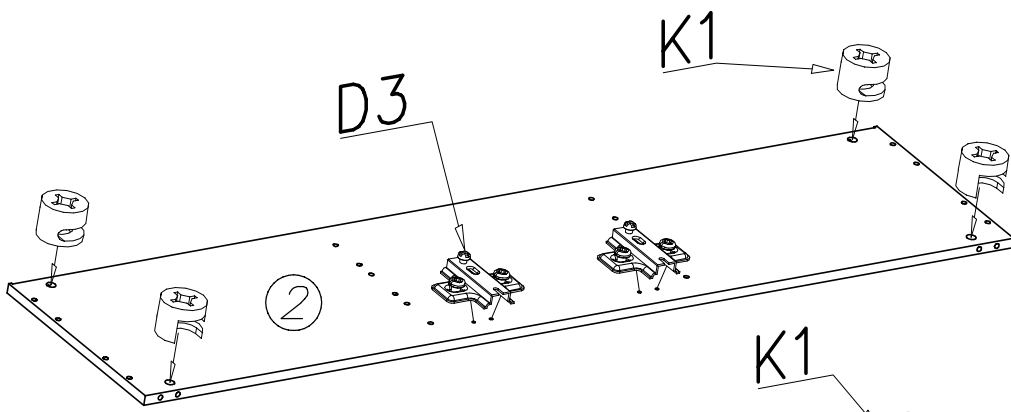
1



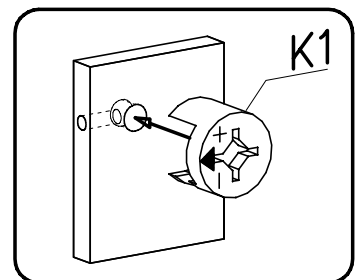
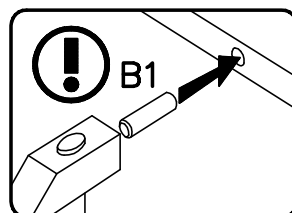
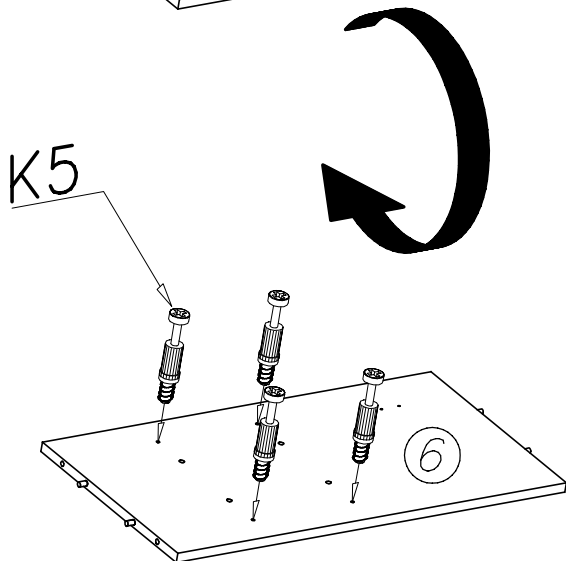
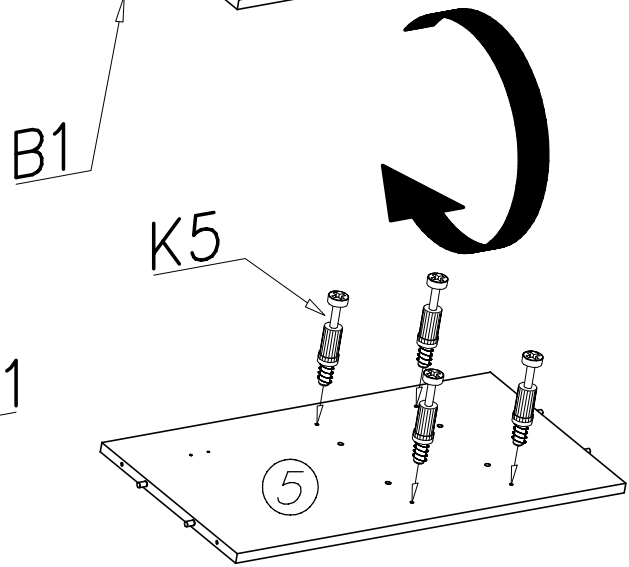
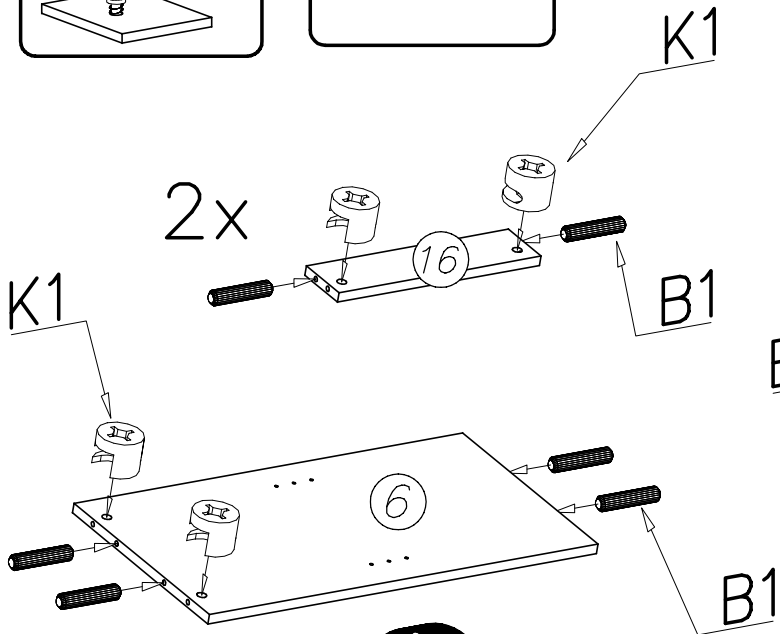
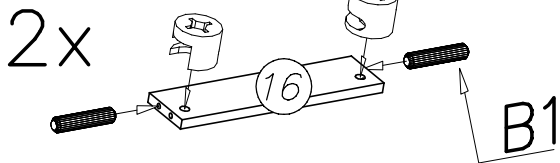
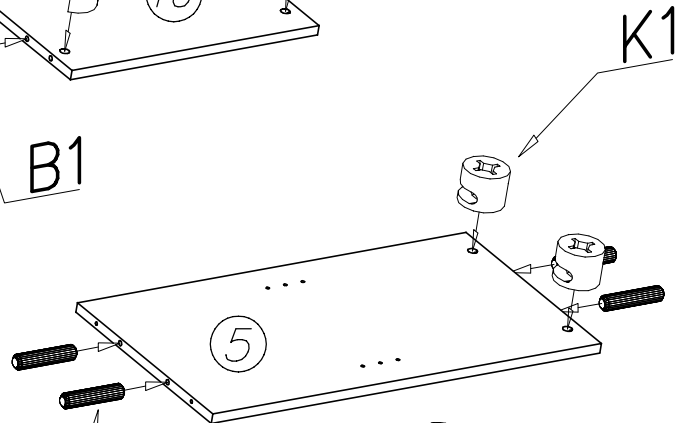
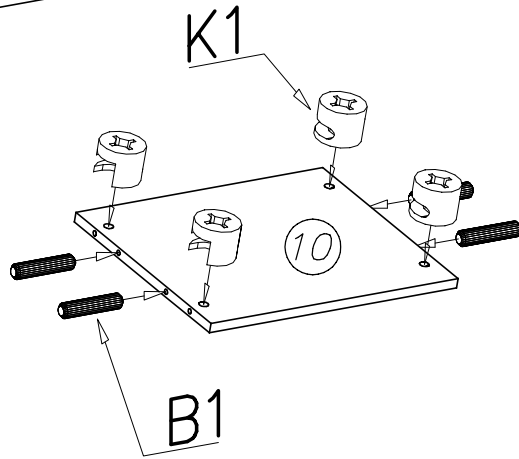
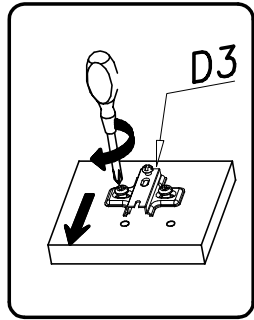
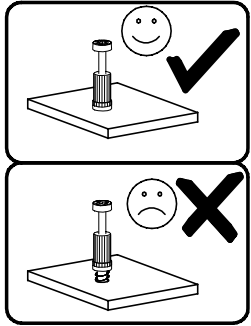
K5		8x
L11		3x
G10		6x
K1		16x
B1		12x



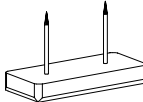
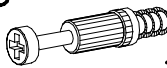
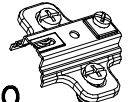
2

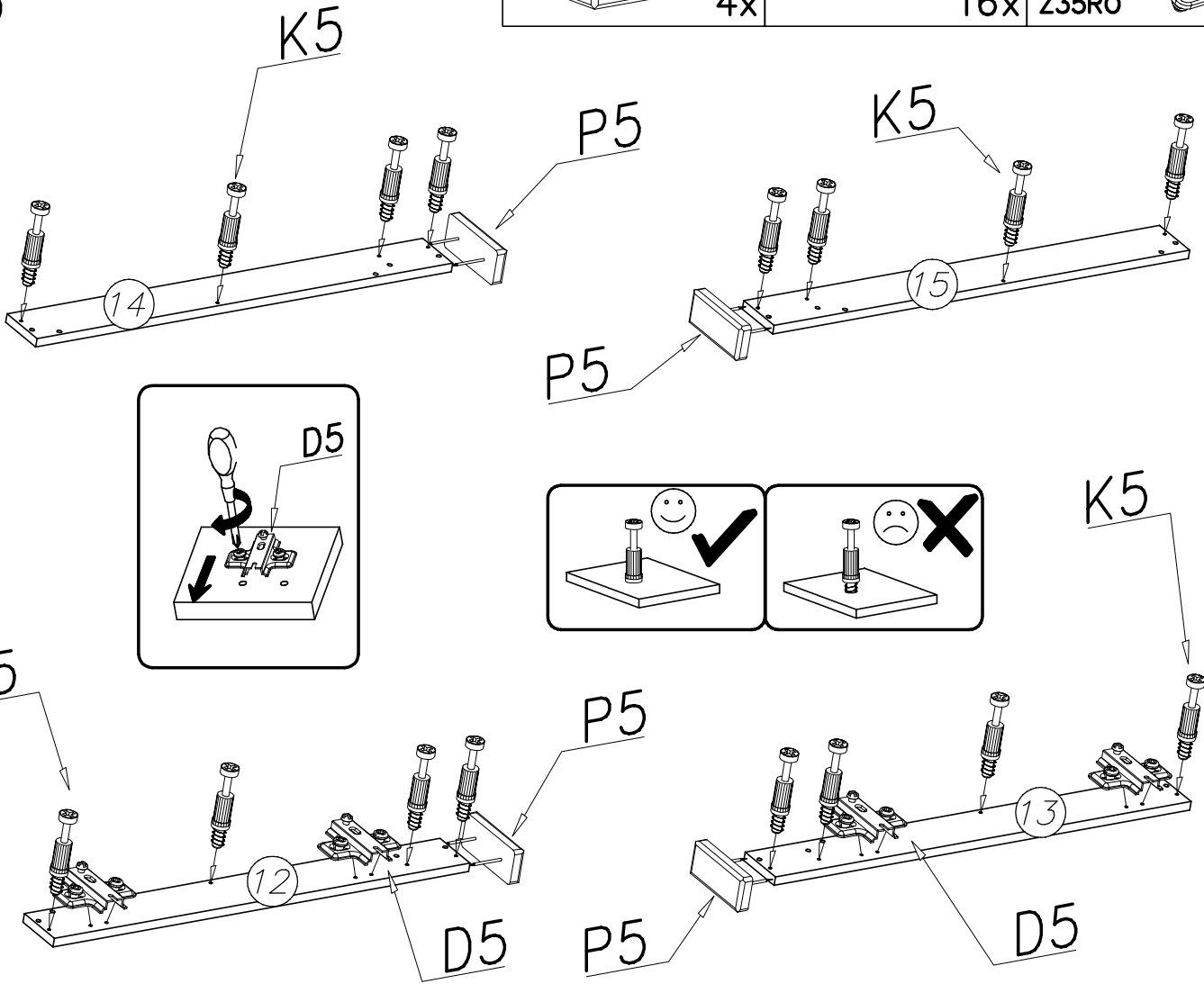


K5		8x
D3		2x
Z35PR		2x
K1		16x
ø15x12		
B1		16x
ø8x30		

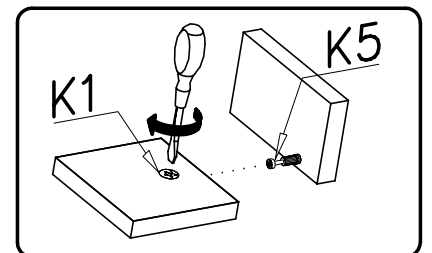
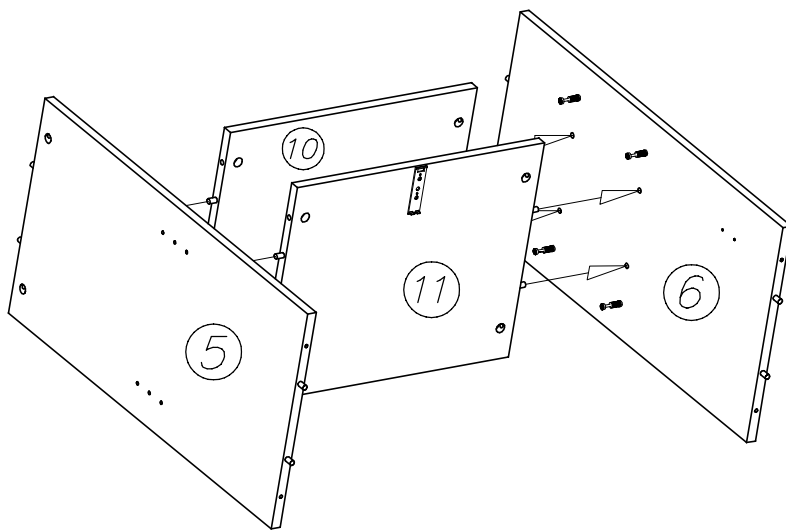


3

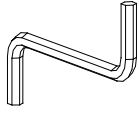

P5		4x	K5		16x	D5		Z35RO	4x
----	--	----	----	--	-----	----	--	-------	----

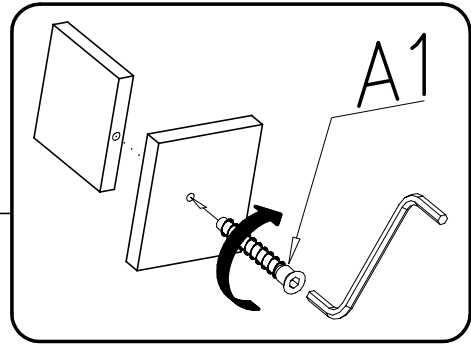
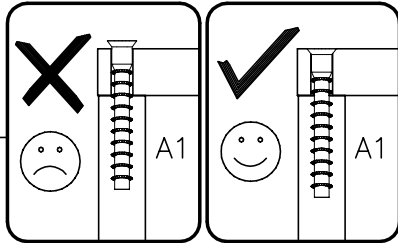
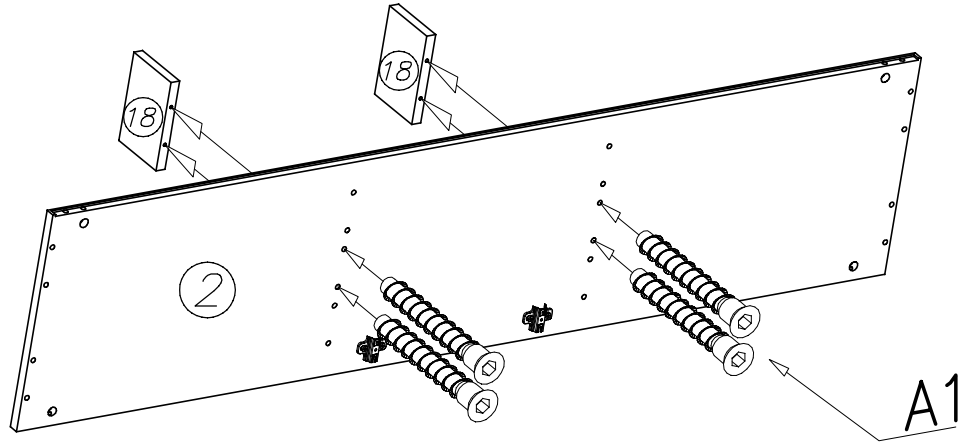


4

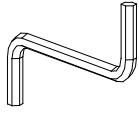



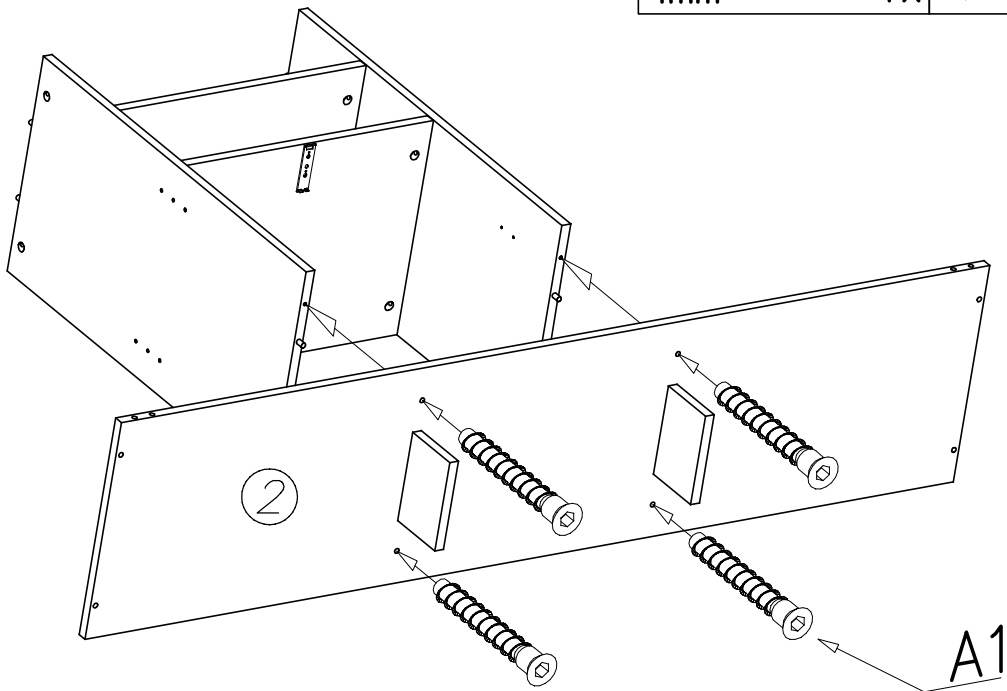
5

W2		A1	
4mm	1x	ø7x50	4x

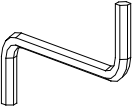



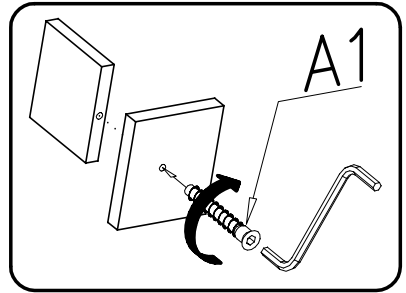
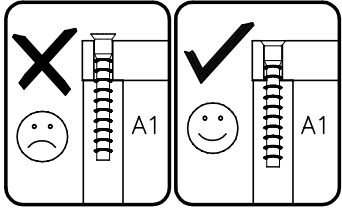
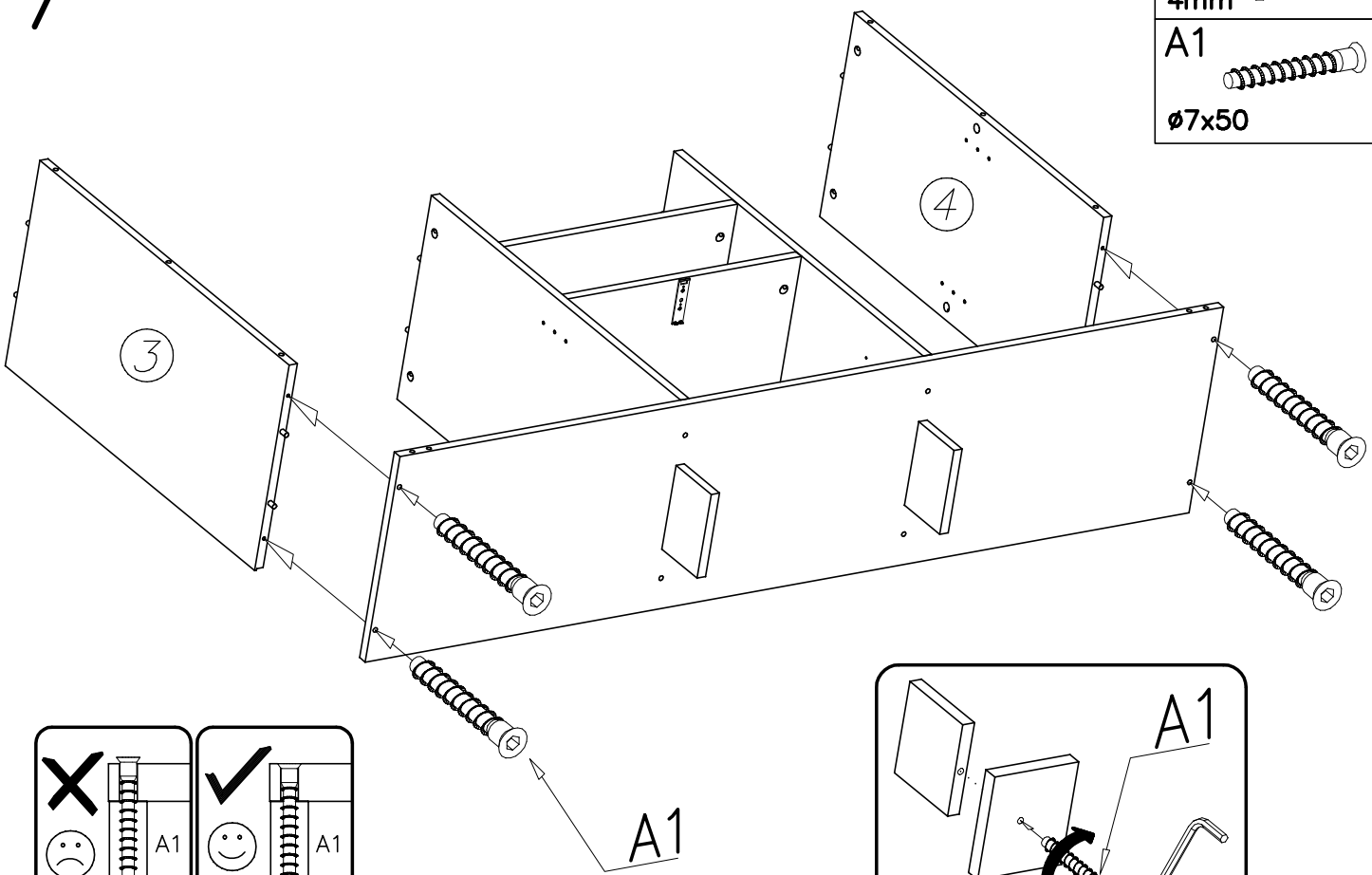
6

W2		A1	
4mm	1x	ø7x50	4x

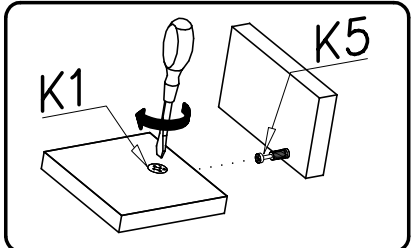
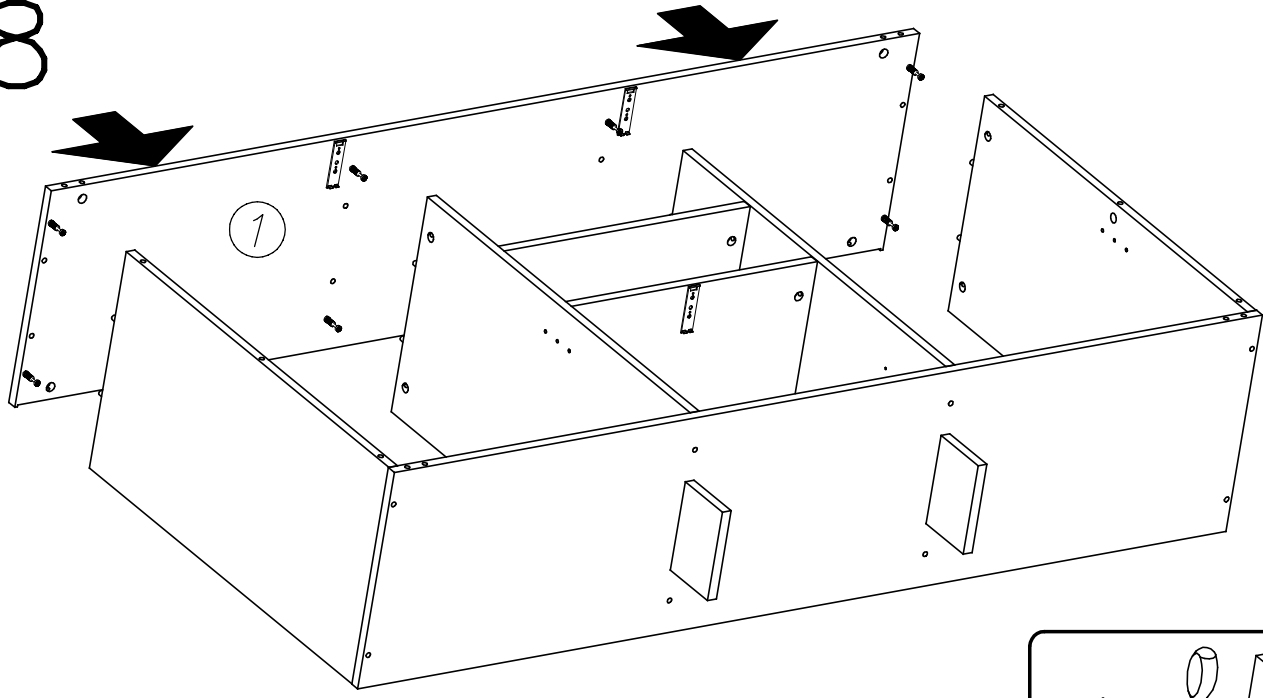


7

W2		1x
4mm		
A1		4x
Ø7x50		



8

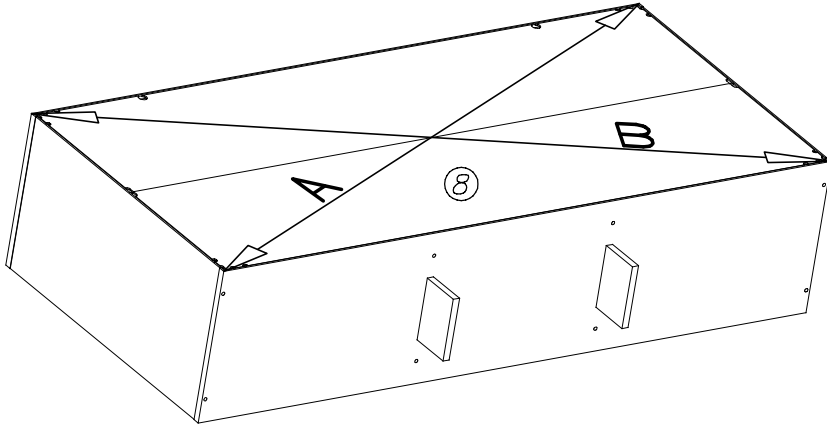


9

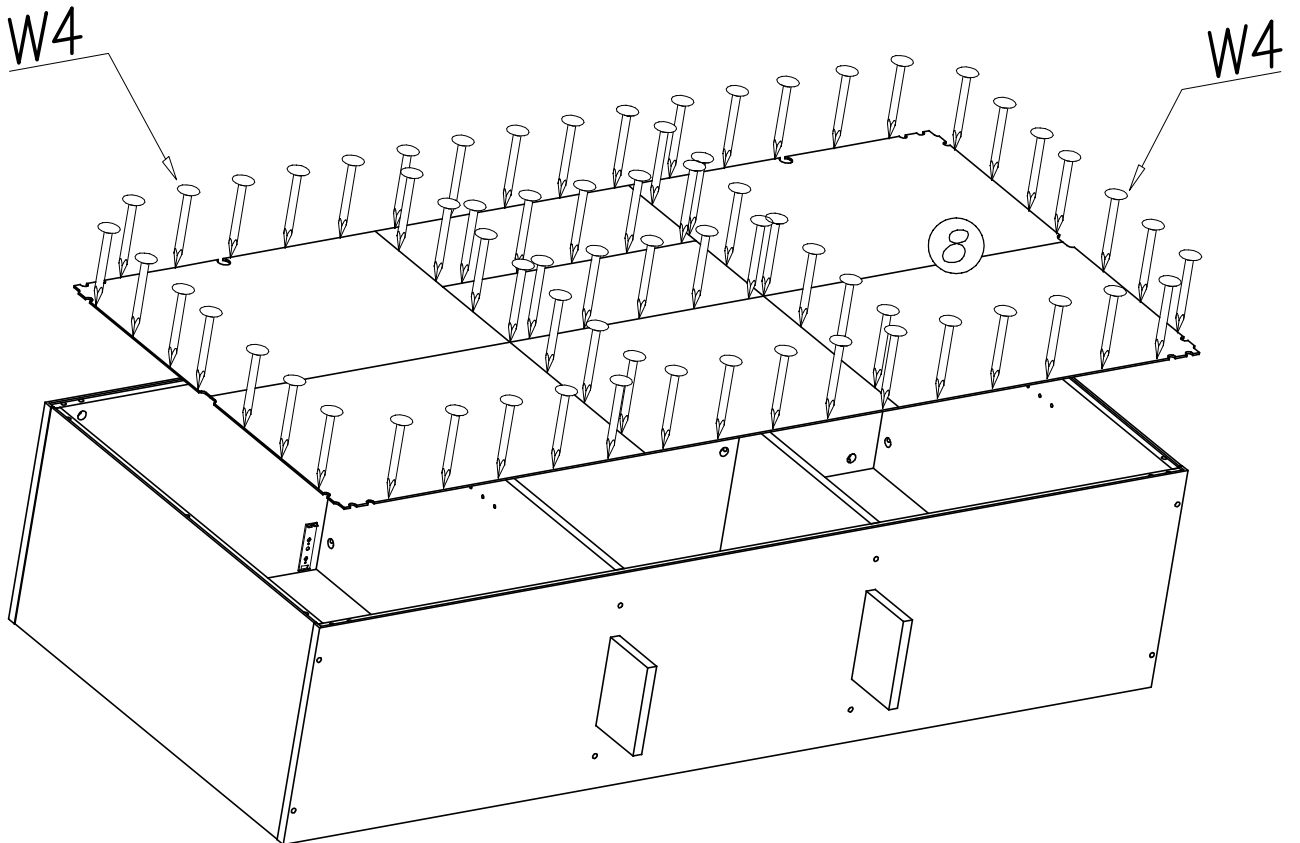
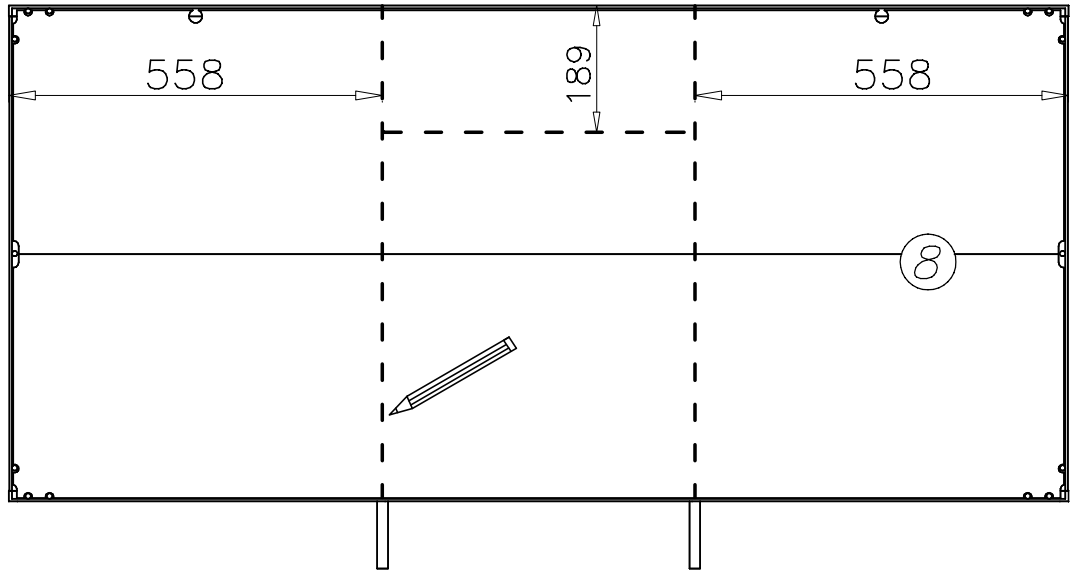
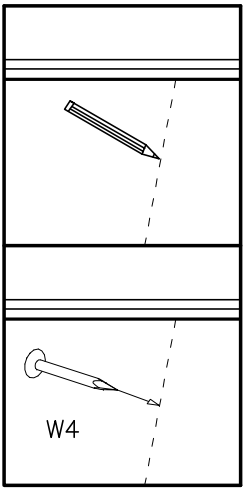
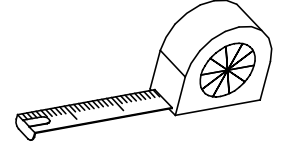
W4




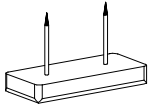
75x

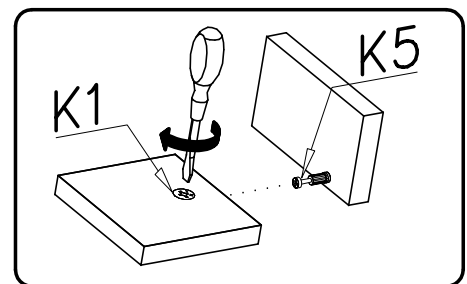
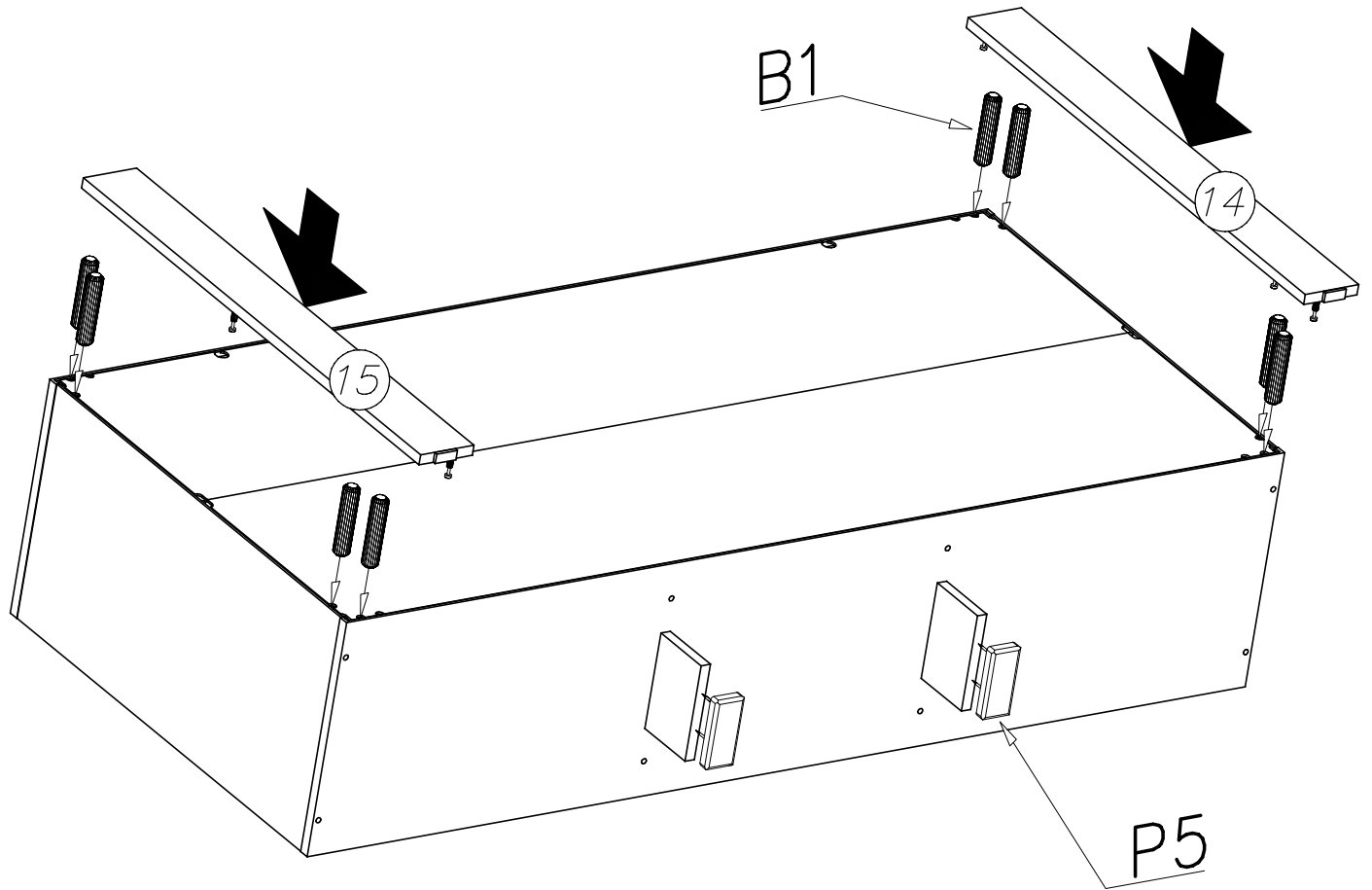


$A = B$

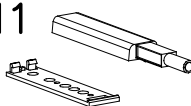



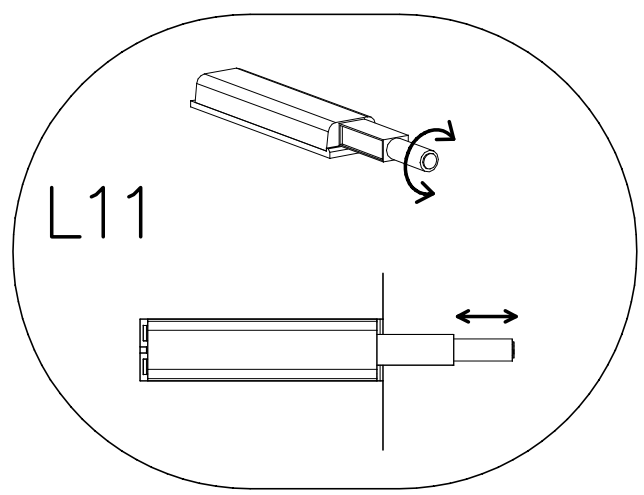
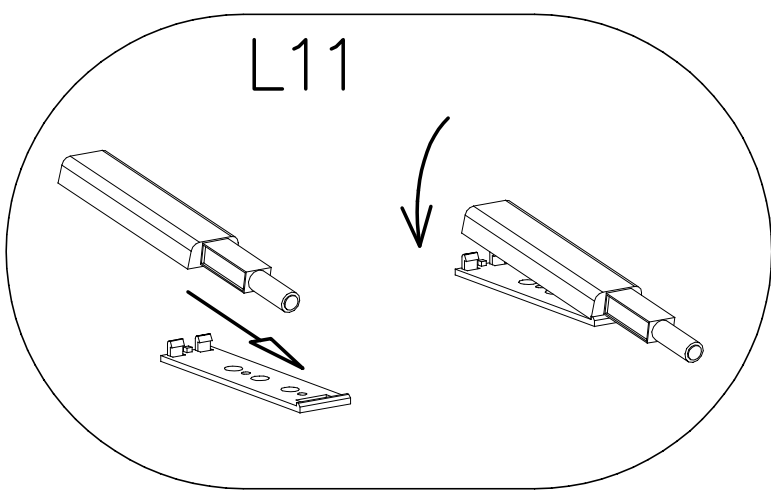
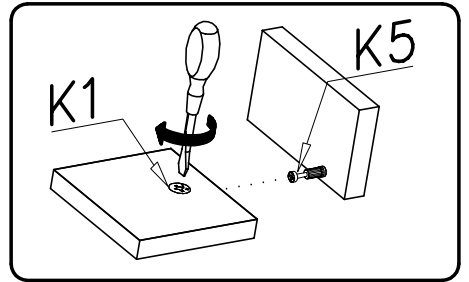
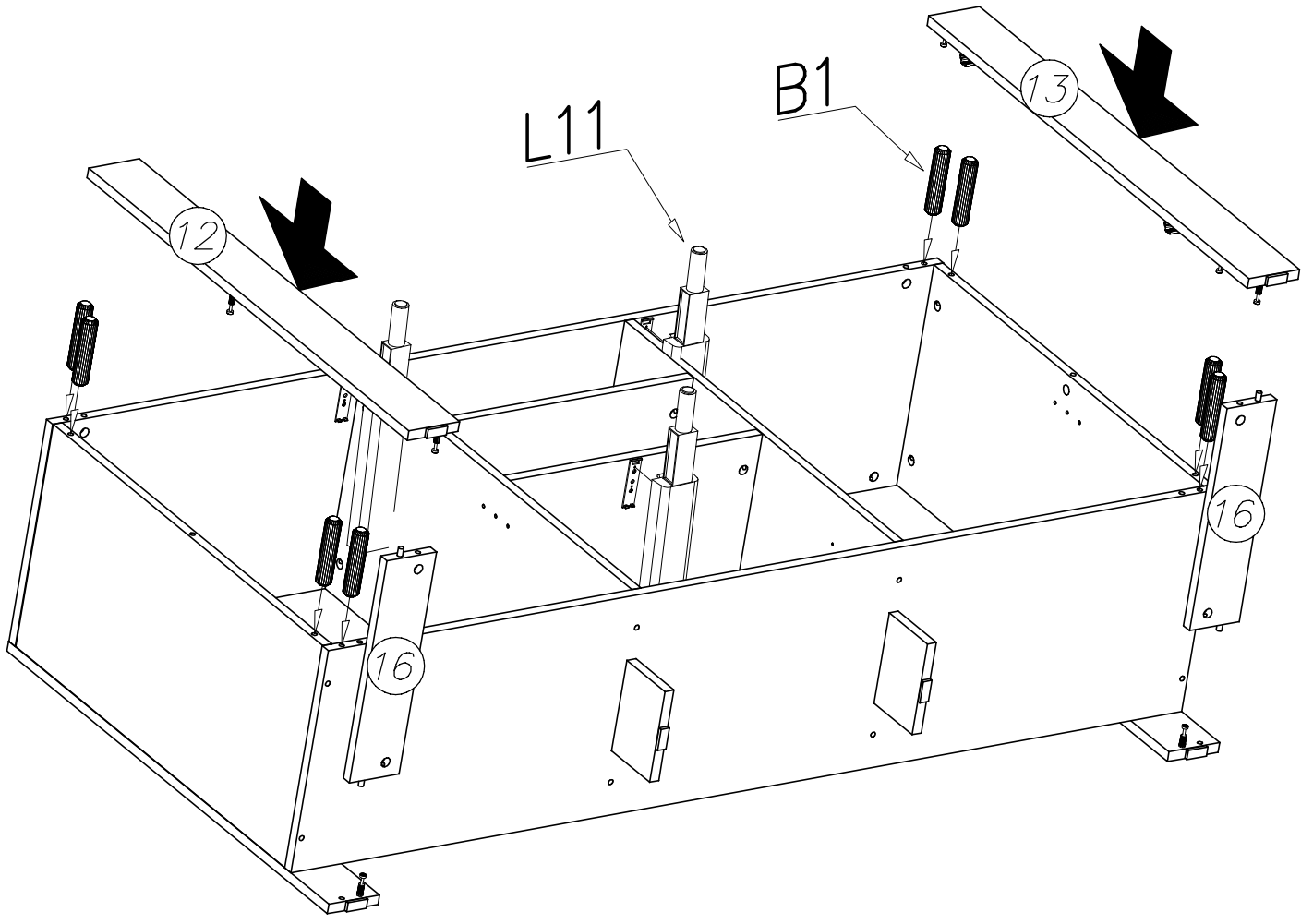
10

B1		
∅8x30		8x
P5		2x





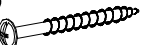


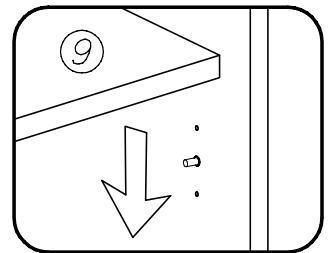
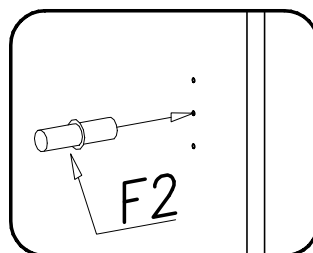
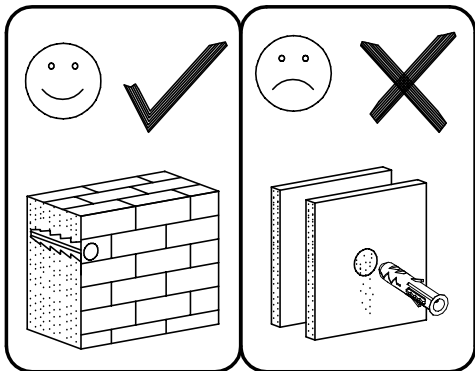
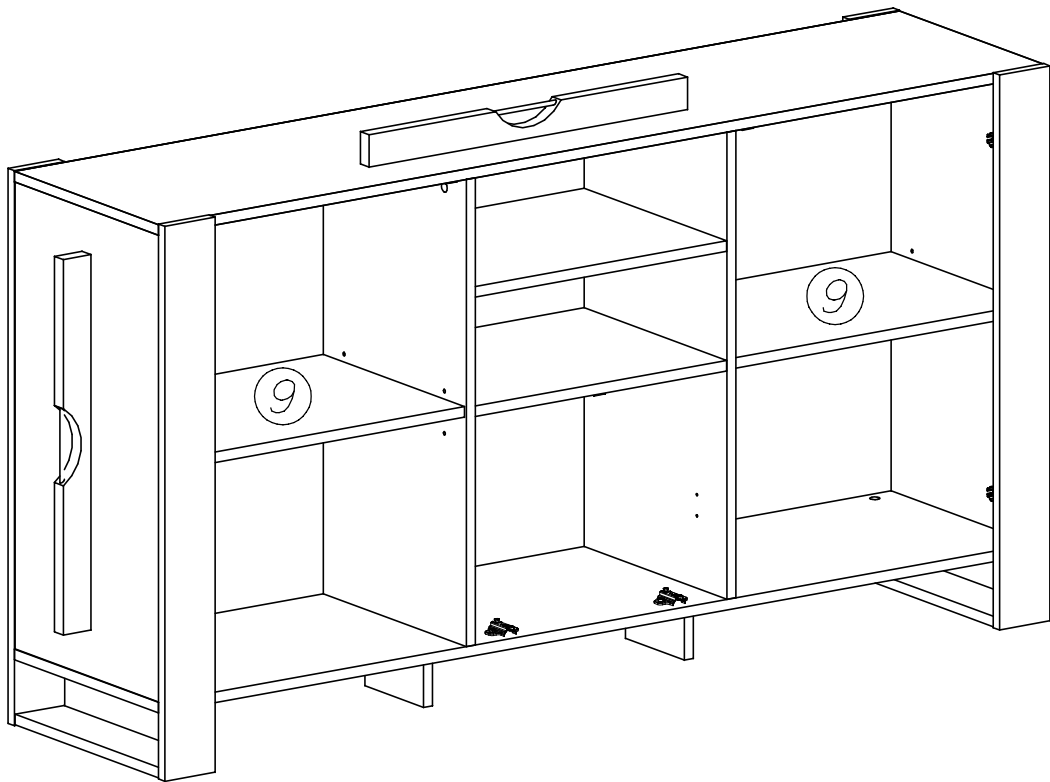
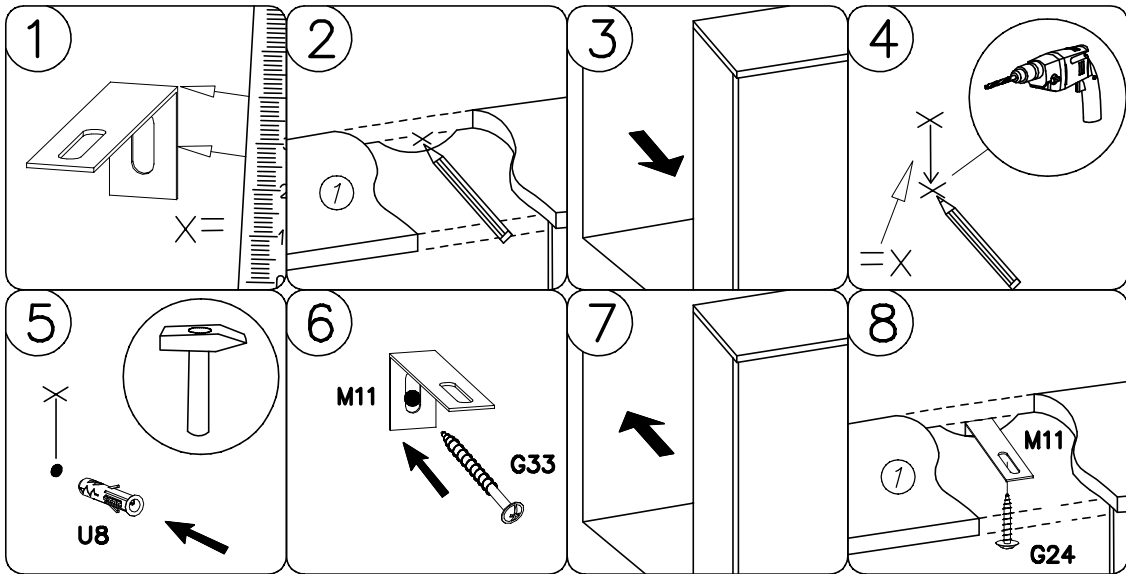
11

L11		B1	
	3x	ø8x30	8x



12

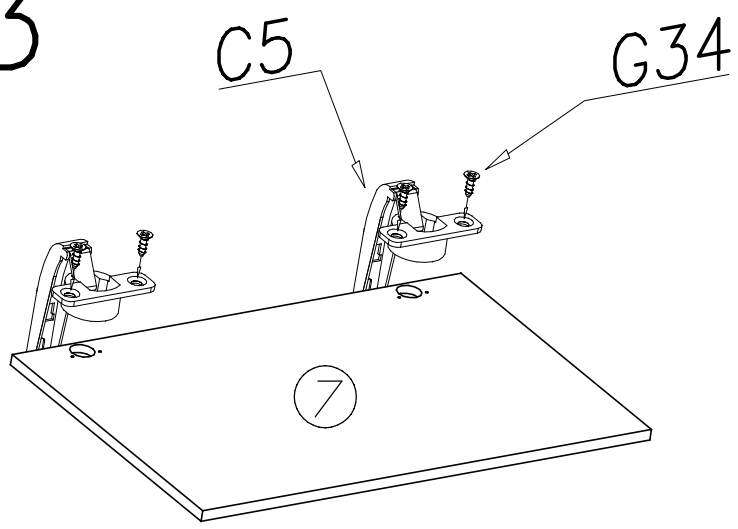
F2  8x	G24  4x16	U8  4x Ø8x40	M11  2x	G33  4x40	2x
--	--	---	---	--	----




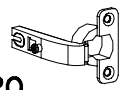
1

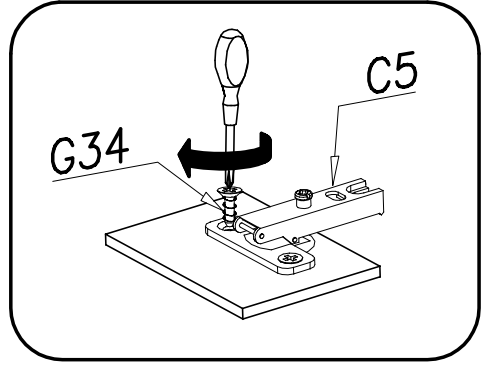
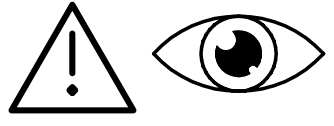
2

13

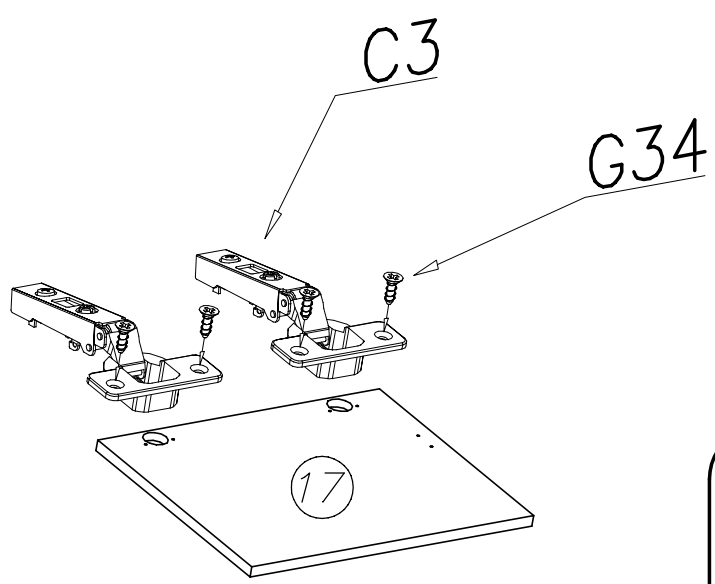



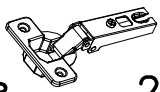
2x

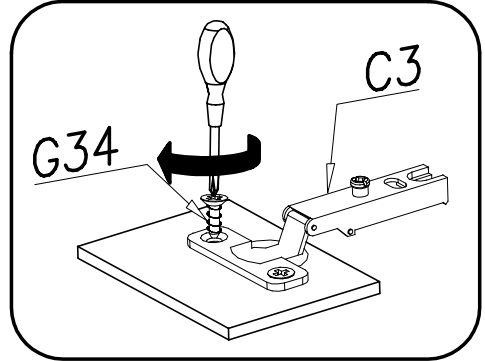
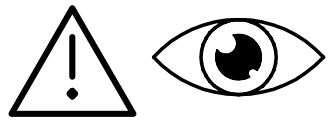
G34		
3,5x16		8x
C5		
Z35RO		4x



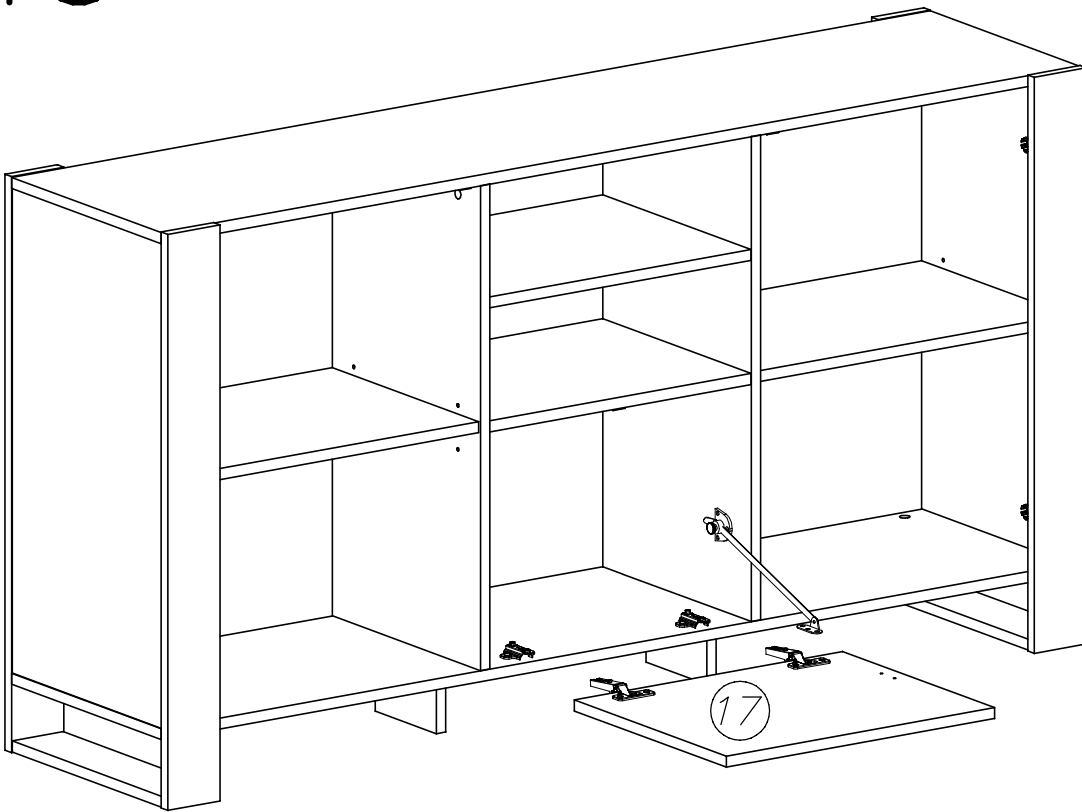
14


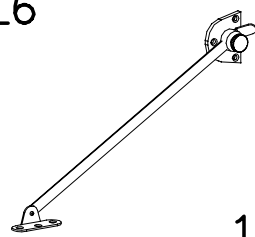


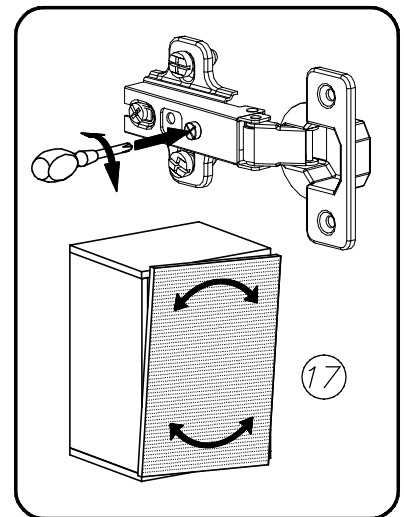
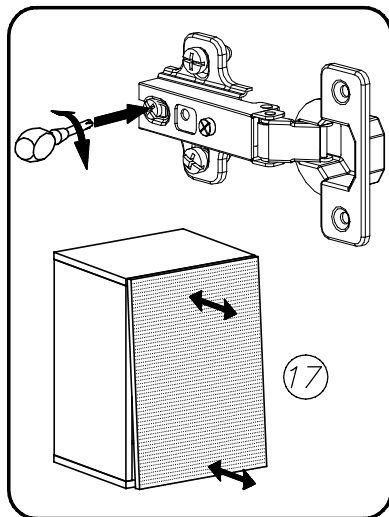
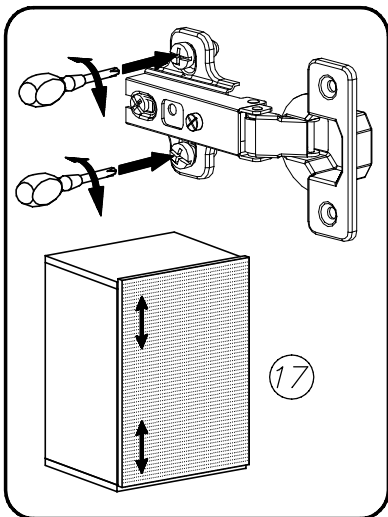
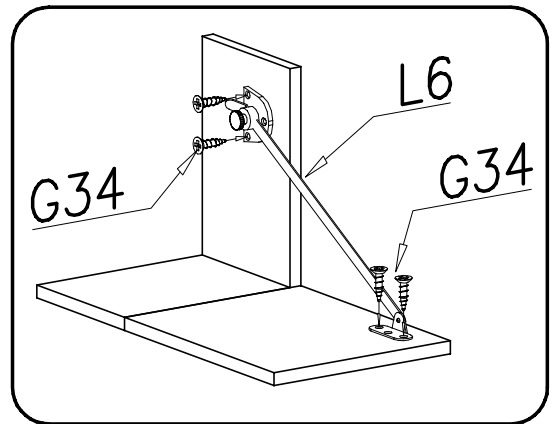
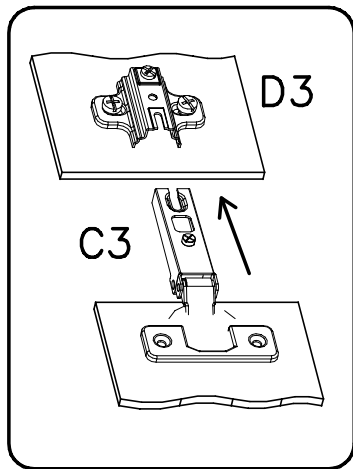
G34		
3,5x16		4x
C3		
Z35PR		2x



15



G34	
3,5x16	4x
L6	
	1x



16

17
Ø18 28x

