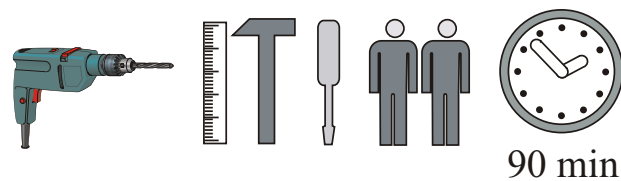
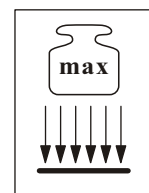
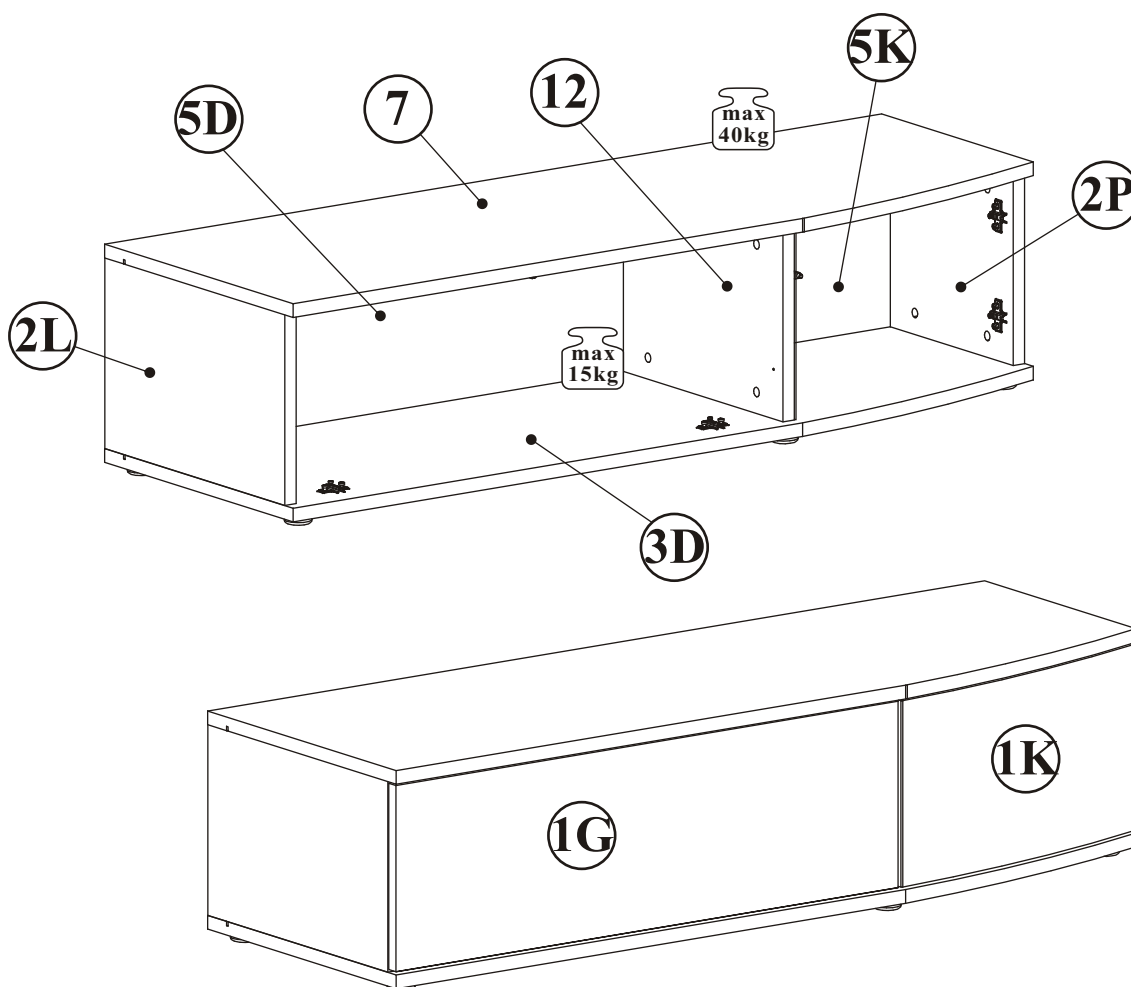


MANHATAN TYP-32

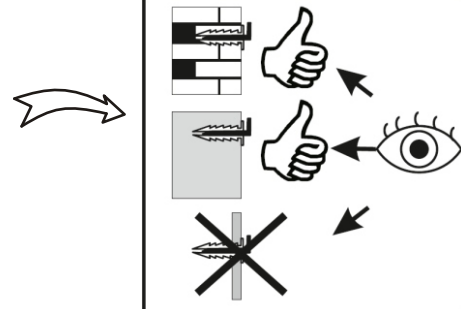
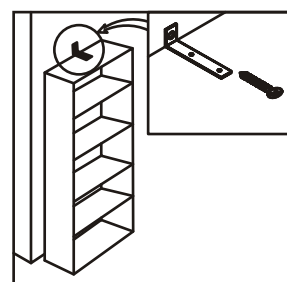
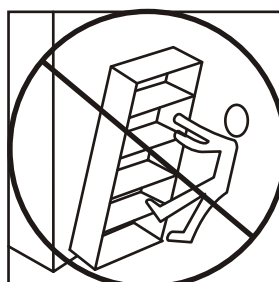
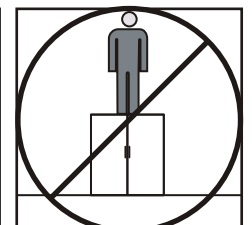
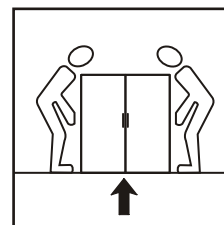
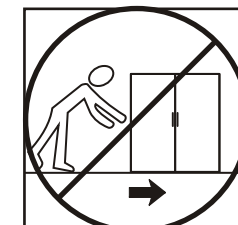
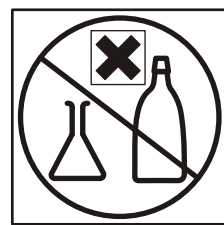
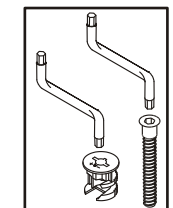
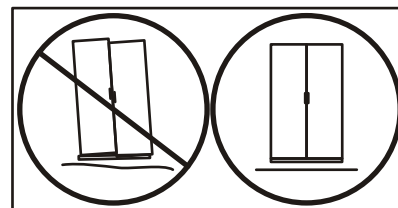
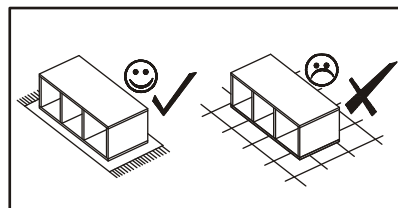
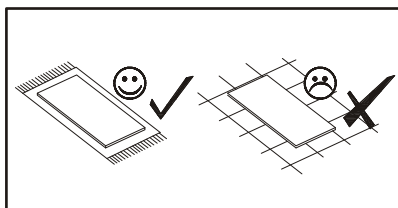
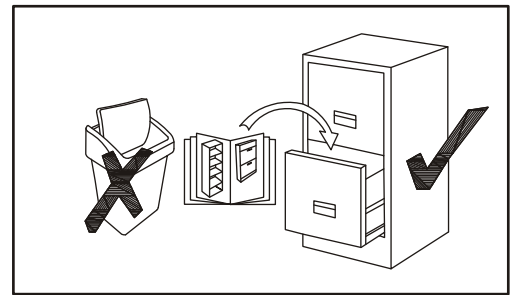
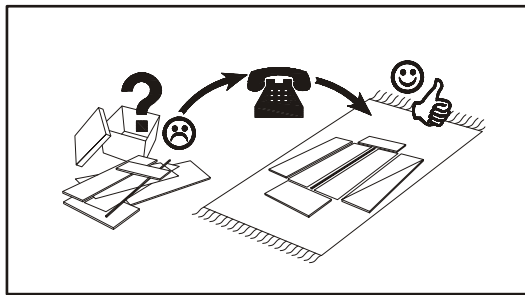
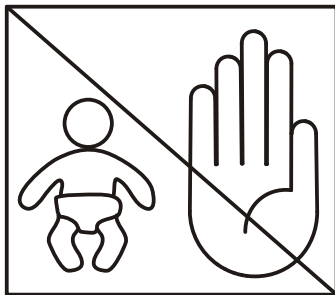
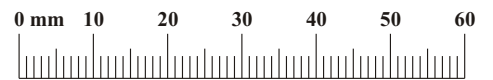


90 min

NO	Dim.			Col-No	Qty
2L	306	477	22	2/6	1
2P	306	380	22	2/6	1
12	306	423	22	2/6	1
3D	1501	500	22	2/6	1
5D	318	957	3	2/6	1
5K	318	510	3	2/6	1
7	1501	500	22	2/6	1
1G	523	299	18	3/6	1
1K	970	299	19	3/6	1


MANHATAN TYP-32

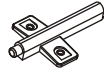
A1 x12 ø8x36	B4 x12	B16 x12 Ø15x16	G5 x12	E2 x2 H=0	E21 x2 Ø35 H=0
UP11 x6 UPØ4x20	I11 x6 Ø45, h=15	UP13 x2 UPØ3x16	G16 x2	L1 x1	KR1 x1
D10 x18 USØ3,5x13	S1 x12	E4 x2 H=2	E25 x2 Ø35 H=16	BO1 x2	G2 x1
T3 x2					




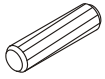
MANHATAN TYP-32

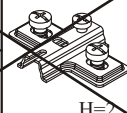
1

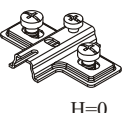
D10	
x2	USØ3,5x13

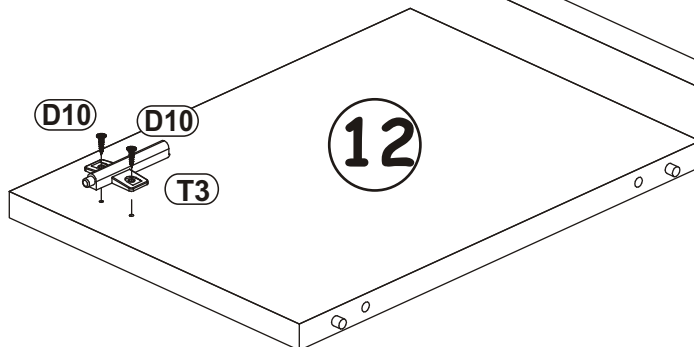
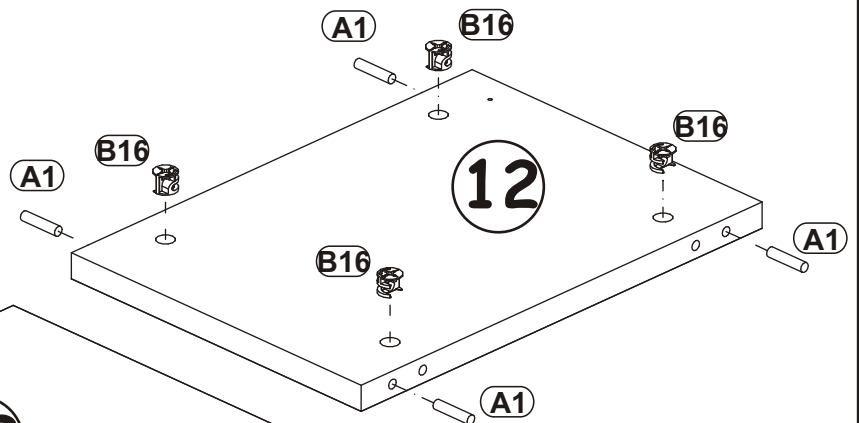
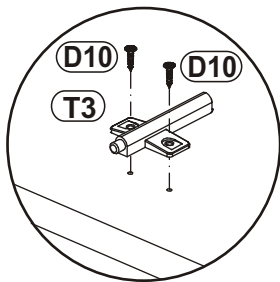
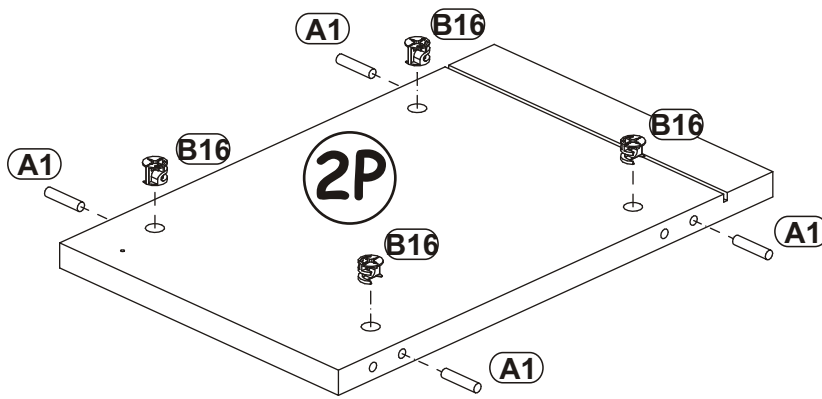
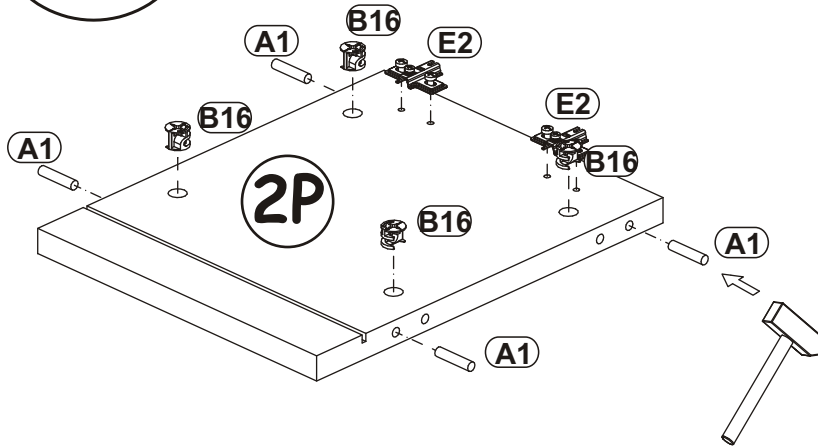
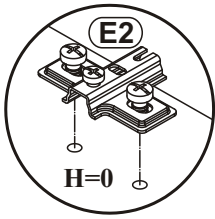
T3	
x1	

B16	
x12	Ø15x16

A1	
x12	ø8x36

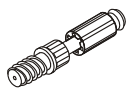
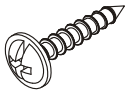
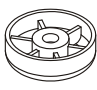
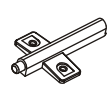
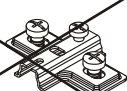
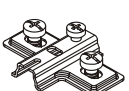

E4	
x2	H=2

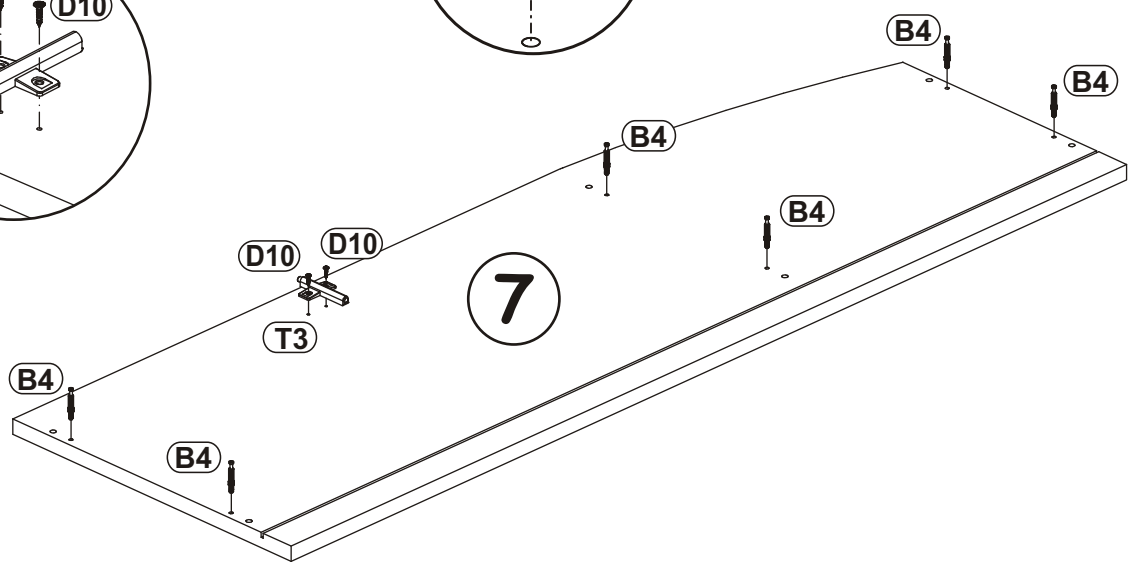
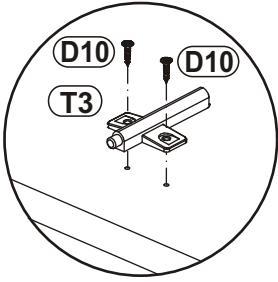
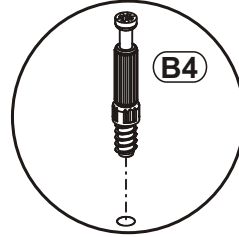
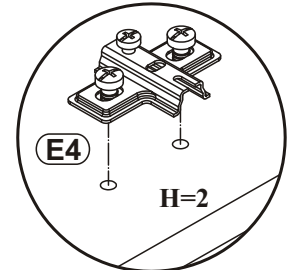
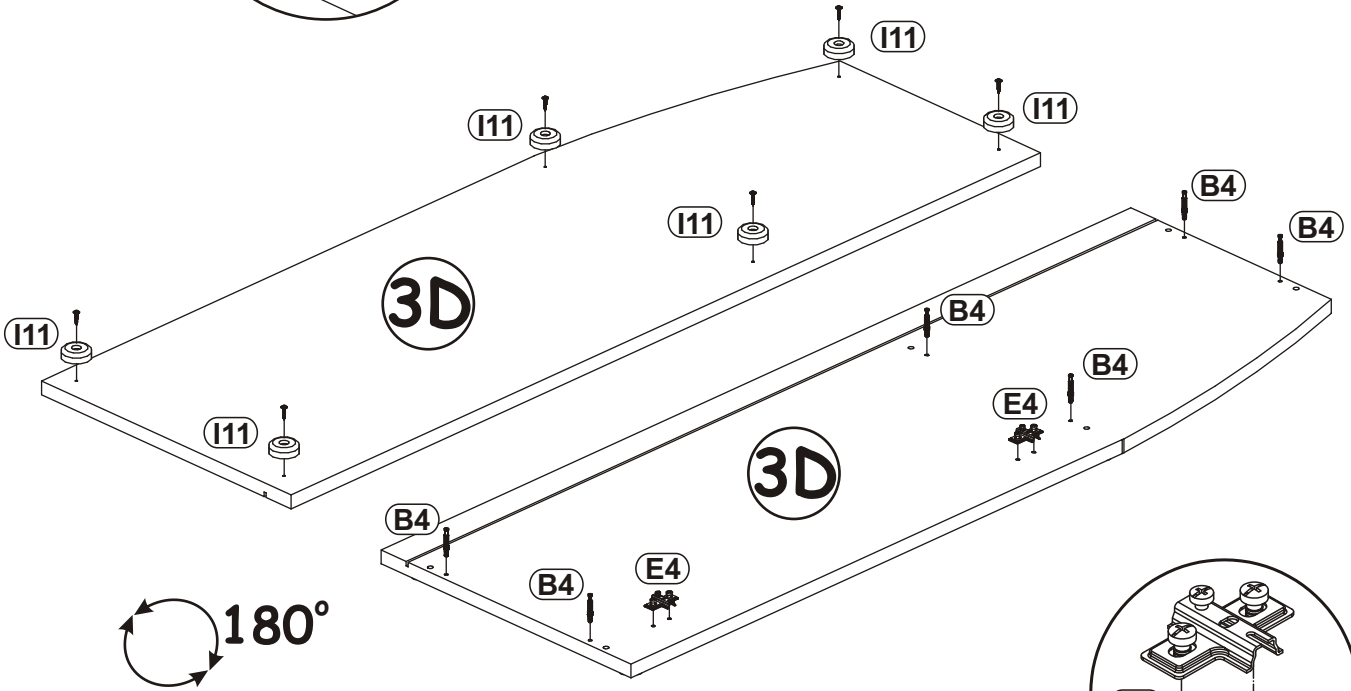
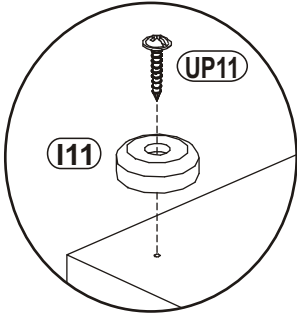
E2	
x2	H=0



MANHATAN TYP-32

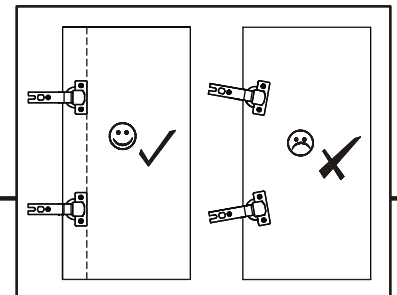
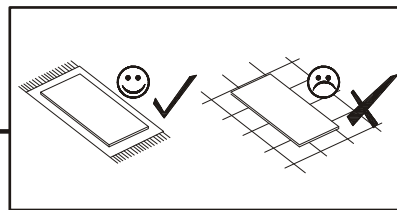
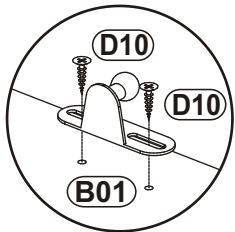
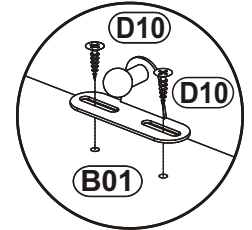
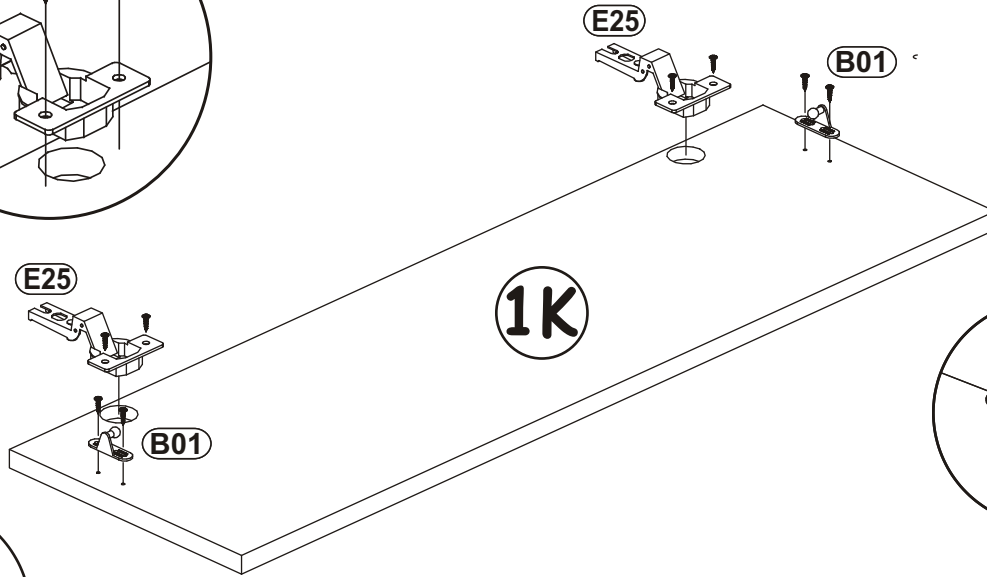
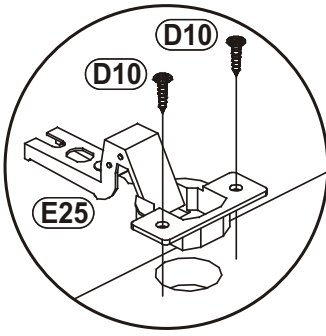
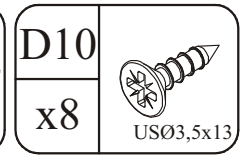
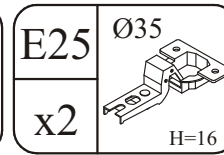
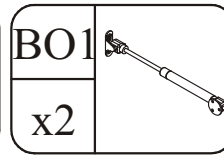
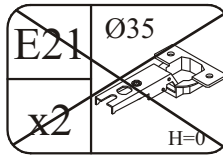
2

B4		UP11		I11	
x12		x6	UPØ4x20	x8	Ø45, h=15
T3		E2		E4	
x1		x2	H=0	x2	H=2
		D10			
		x2	USØ3,5x13		

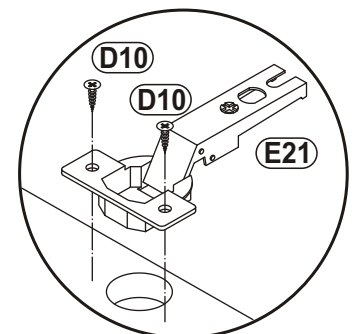
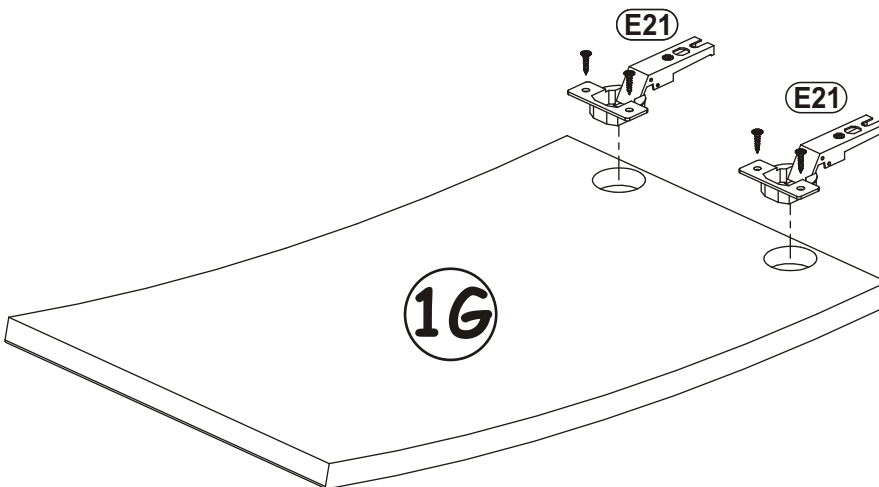
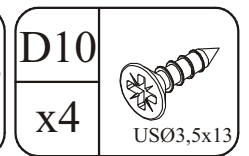
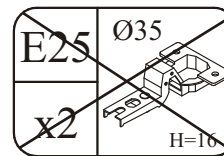
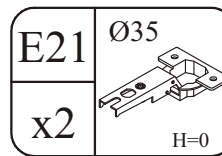


MANHATAN TYP-32


3

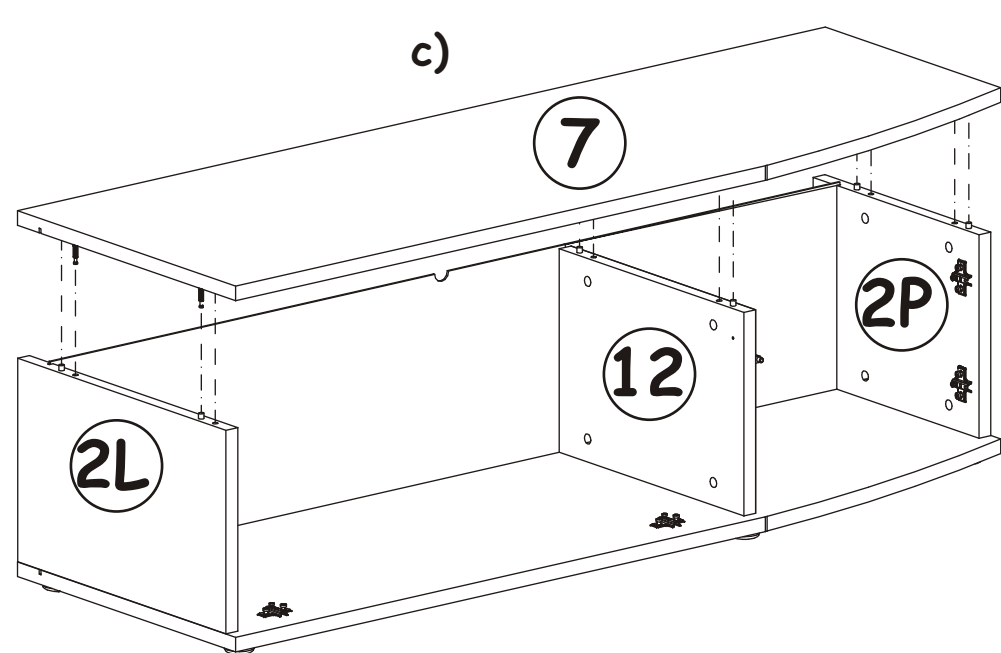
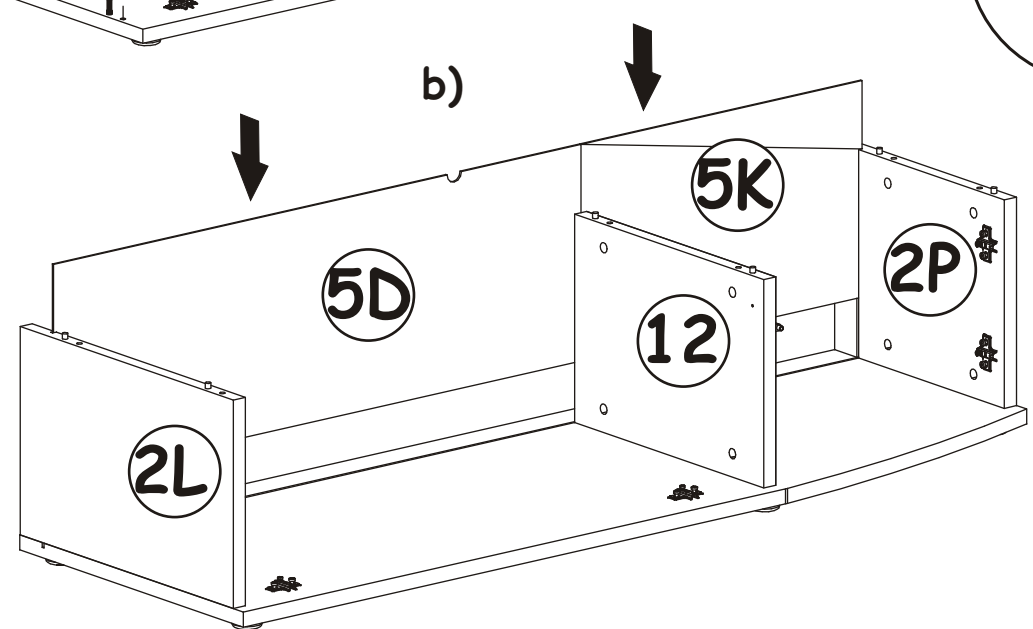
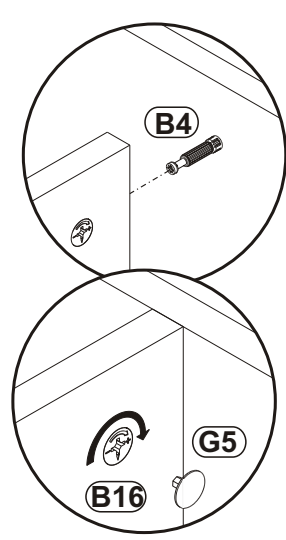
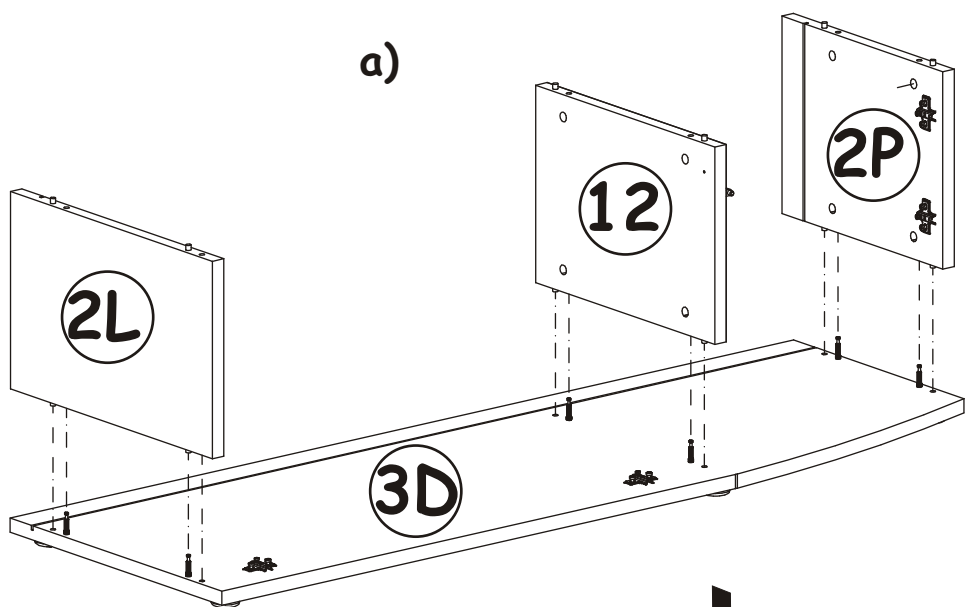


4



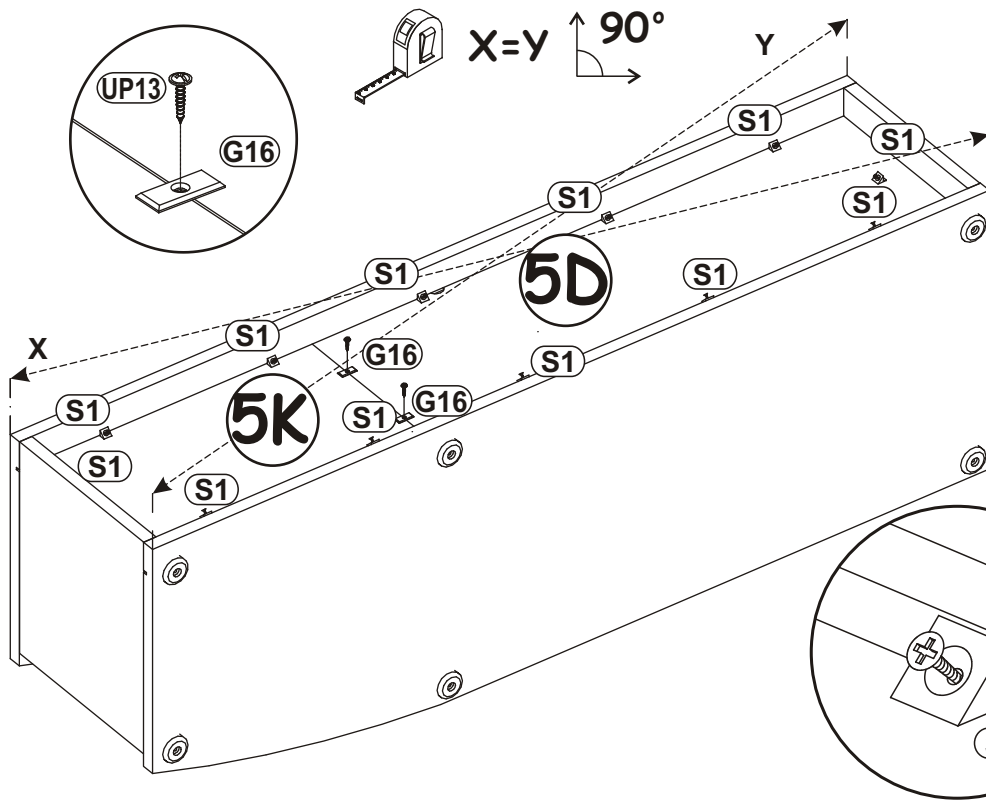
5

G5	
x12	



MANHATAN TYP-32

6

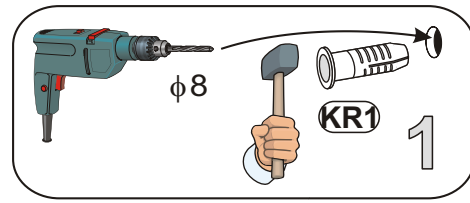
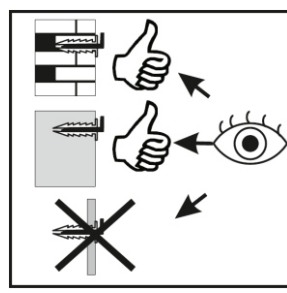


UP13	
x2	UP03x16

S1	
x12	

G16	
x2	

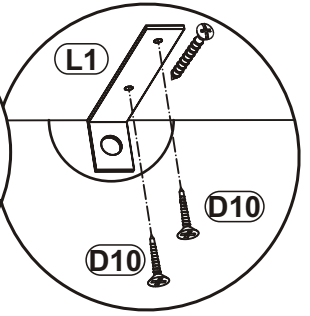
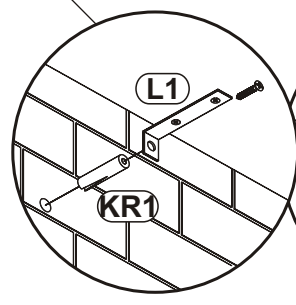
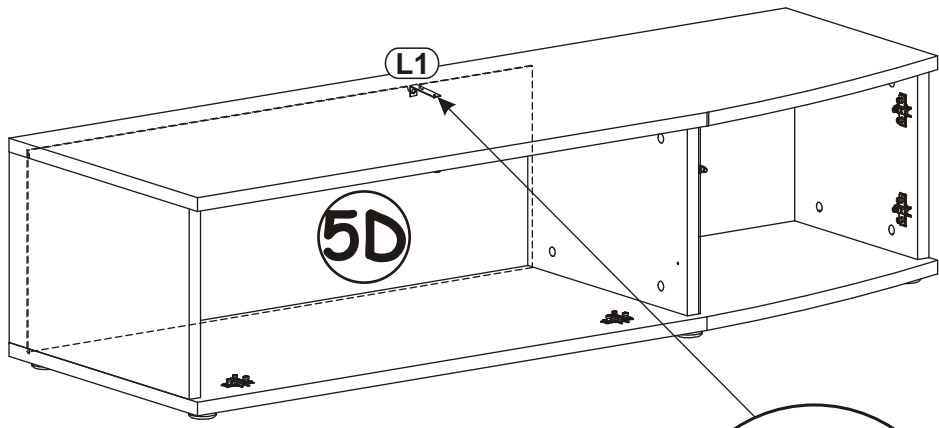
7



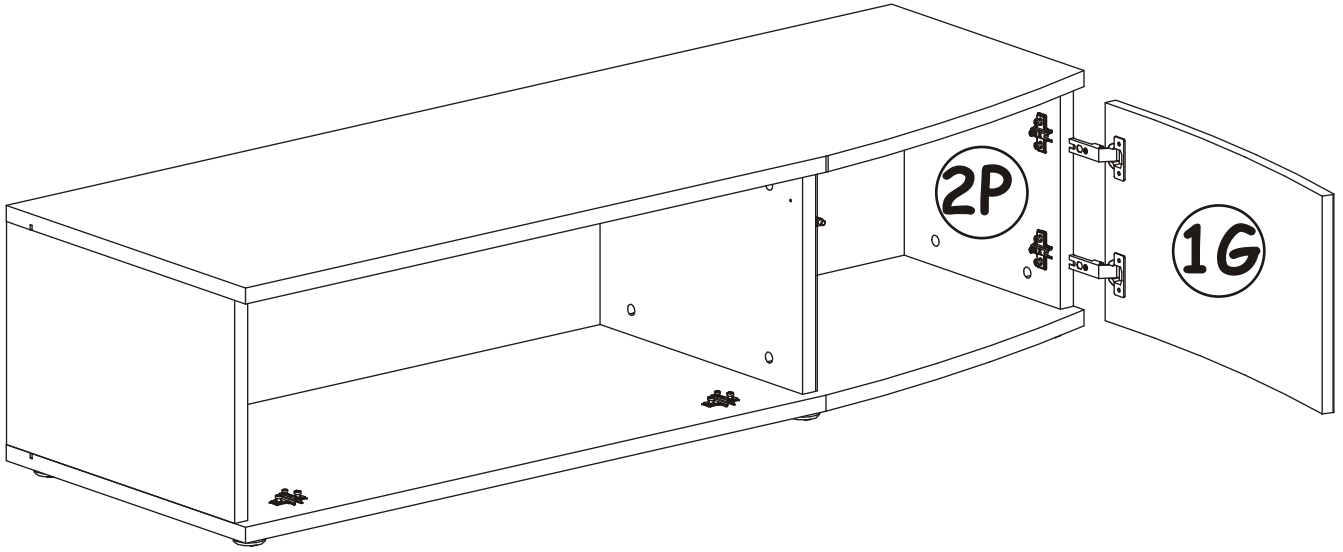
KR1	
x1	

D10	
x2	US03,5x13

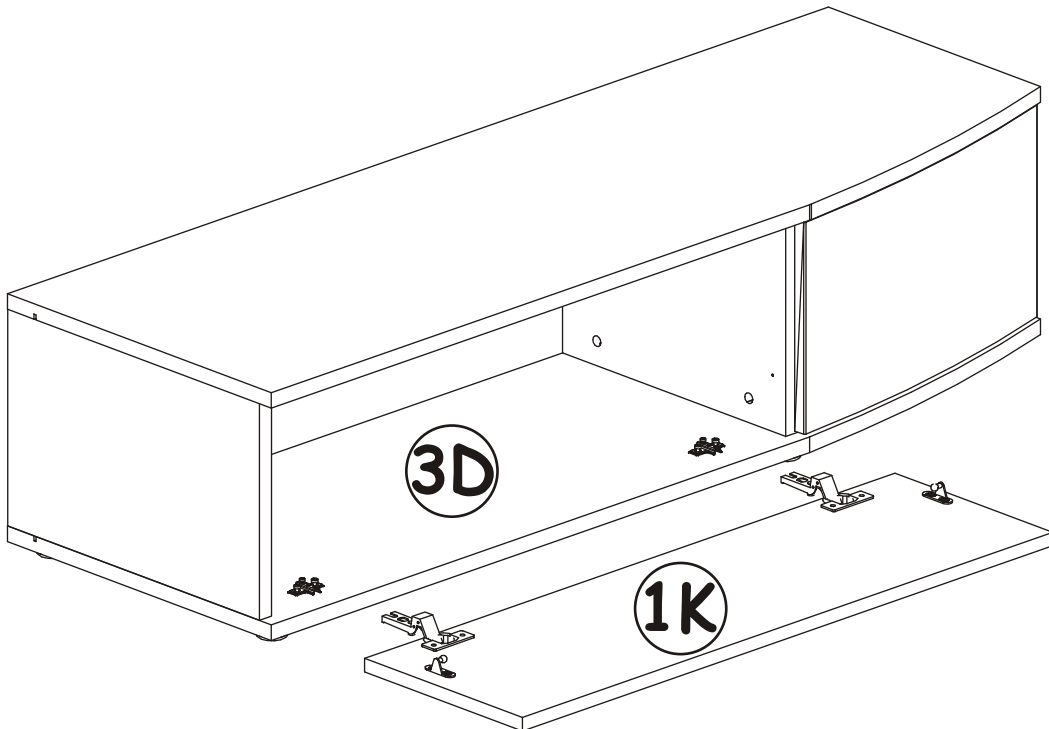
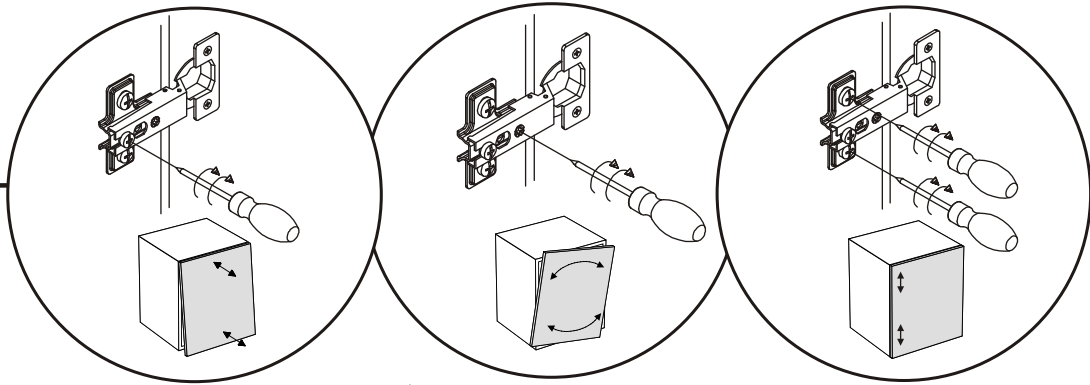
L1	
x1	



8



9



10

