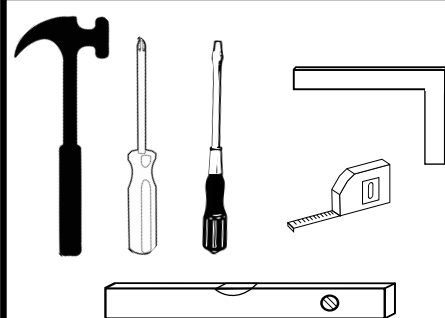
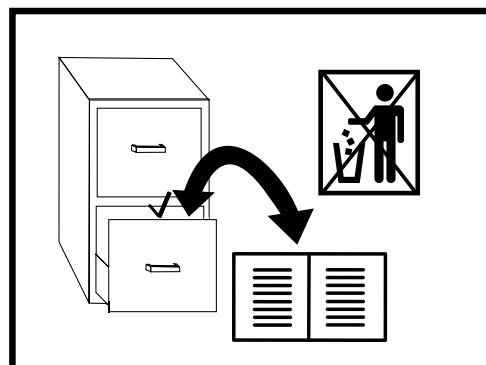
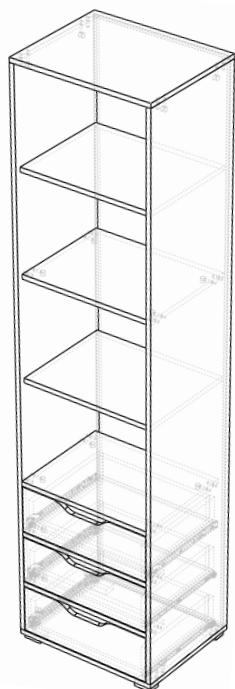




IWA R3SZ



INSTRUKCJA MONTAŻU • ASSEMBLY INSTRUCTION • MONTAGEANLEITUNG



PL

Czyszczenie należy wykonywać wyłącznie za pomocą ściereczki lub lekko nawilżonego ręcznika. Nie stosować środków czyszczących do szorowania.

Formularz reklamacyjny znajduje się na ostatniej stronie instrukcji montażu.



GB

Please only clean with a duster or a damp cloth. Do not use any abrasive cleaners.

The complaint form is on the last page.



DE

Bitte nur mit einem Staubtuch oder leicht feuchtem Lappen reinigen. Keine scheuerenden Putzmittel verwenden.

Das Beschwerdeformular befindet sich auf der letzten Seite.



CZ

Očistěte pouze hadříkem nebo mírně navlhčeným ručníkem. Nepoužívejte abrazivní čisticí prostředky.

Formulář stížnosti je na poslední stránce.



SK

Očistite ho handričkou alebo mierne navlhčenou handričkou. Nepoužívajte abrazívne čistiace prostriedky.

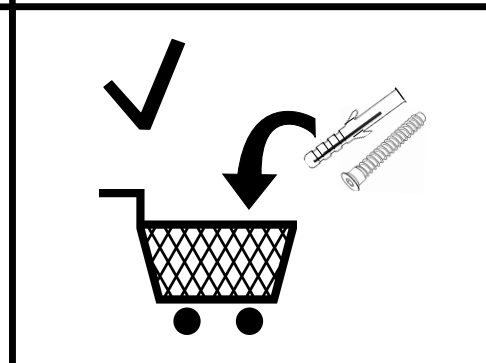
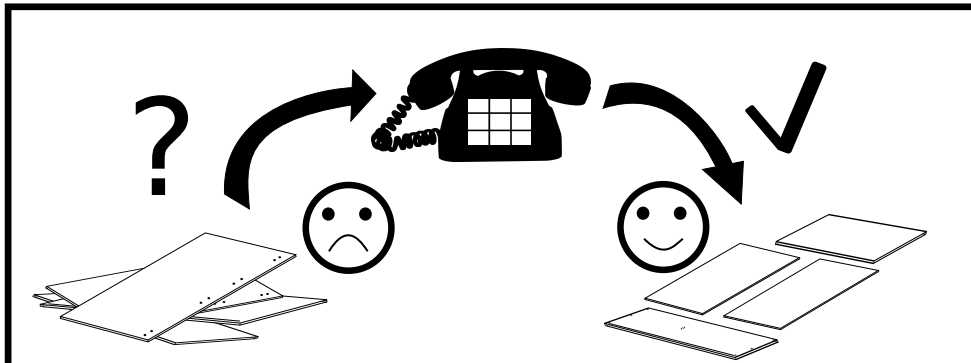
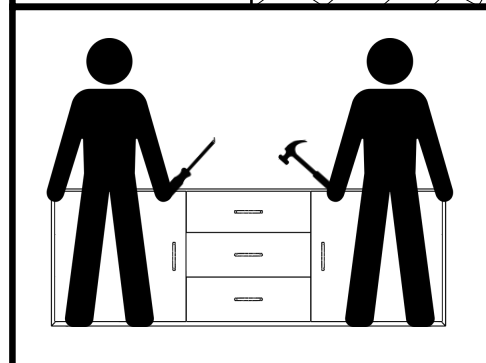
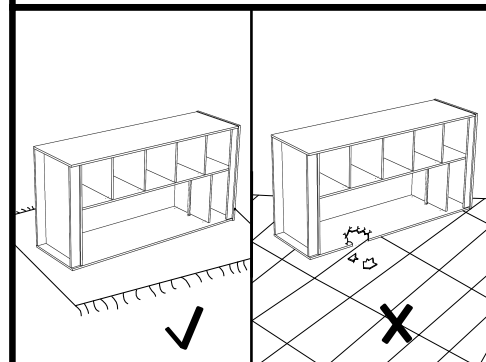
Formulár sťažnosti je na poslednej strane.




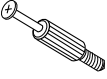







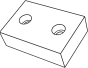




HU

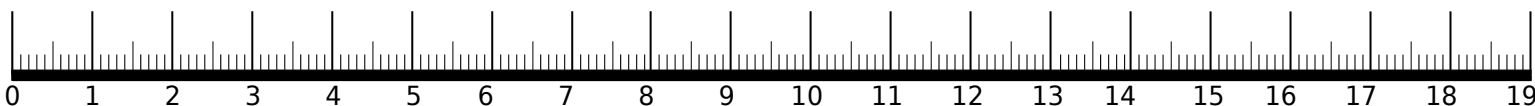
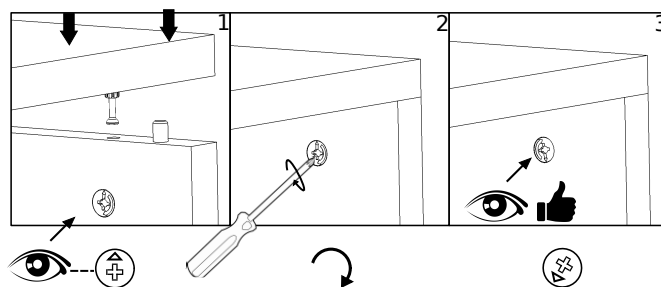
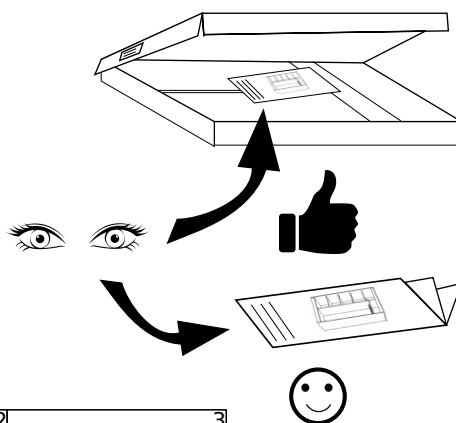
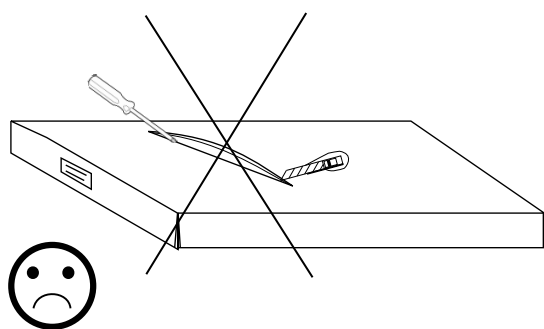
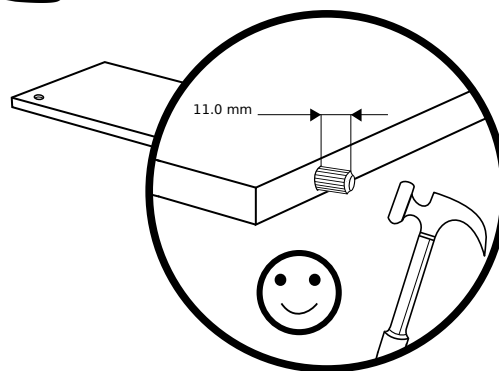
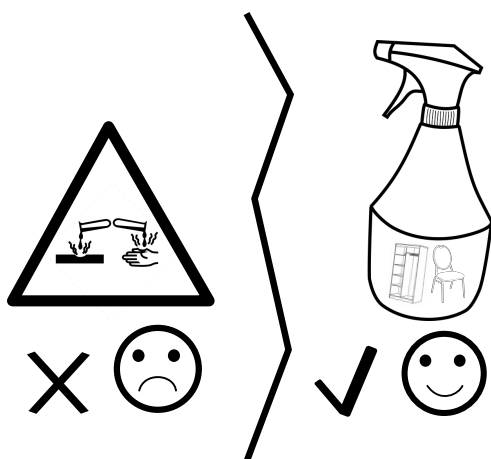
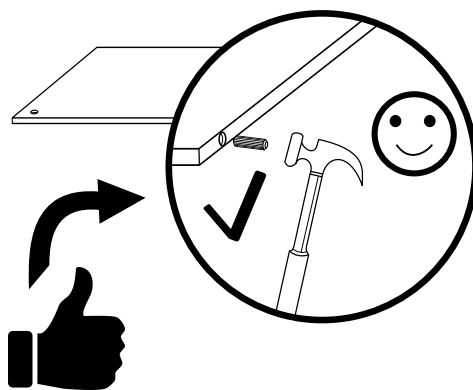
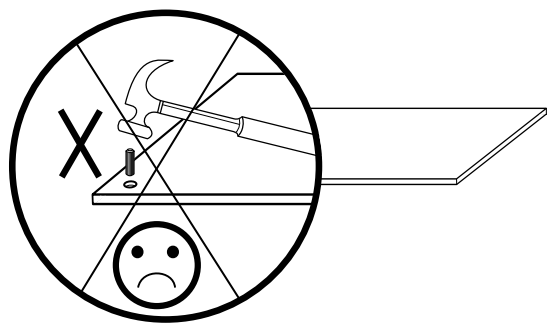
Tiszta egy ruhával vagy kissé megnedvesített törölközővel.

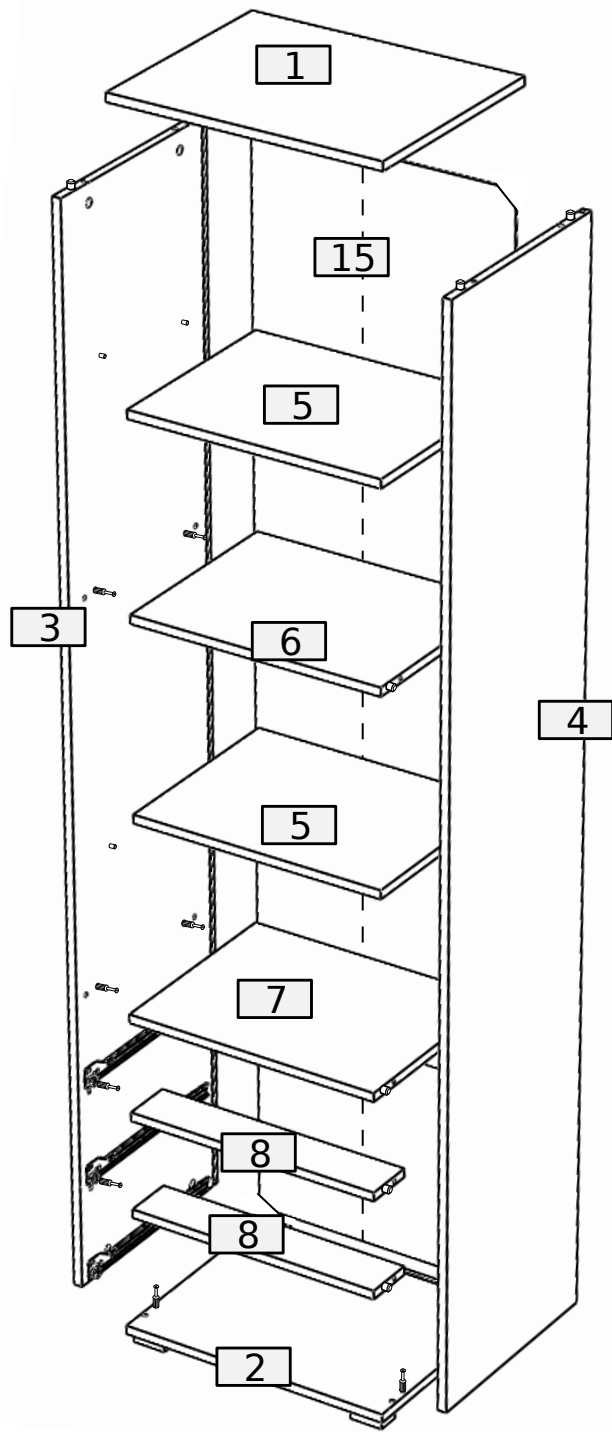
A panaszos űrlap megtalálható az utolsó oldalon.



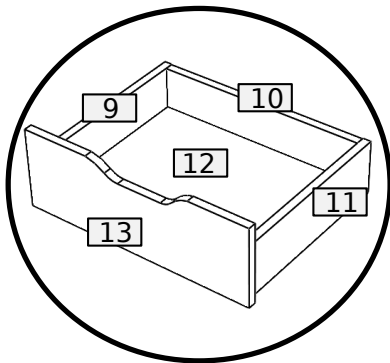
Akcesoria • Accessories • Zubehör

| | | | | | | |
|-----------------------------------------------------------------------------------|-----------------------------------------------------------------------------------|-----------------------------------------------------------------------------------|-----------------------------------------------------------------------------------|------------------------------------------------------------------------------------|-------------------------------------------------------------------------------------|-------------------------------------------------------------------------------------|
| 32 | 32 | 32 | 24 | 8 | 6 | 1 |
|  |  |  |  |  |  |  |
| B | A 8.0x35 | D 3.5x16 W2 | S3 G | KS | | |
|  |  |  |  |  |  |  |
| X L-350 | NV | 4.0x25 W6 | 3.0x20 W1 | I 6.3x13 | F | |
| 28 | 3 | 4 | 8 | 12 | 14 | 1 |

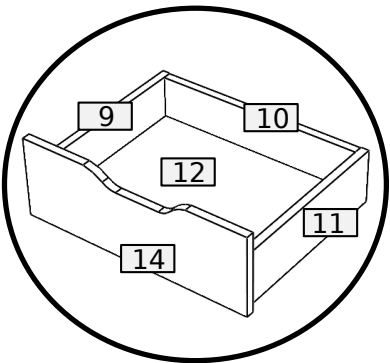




x2

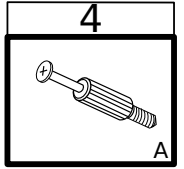
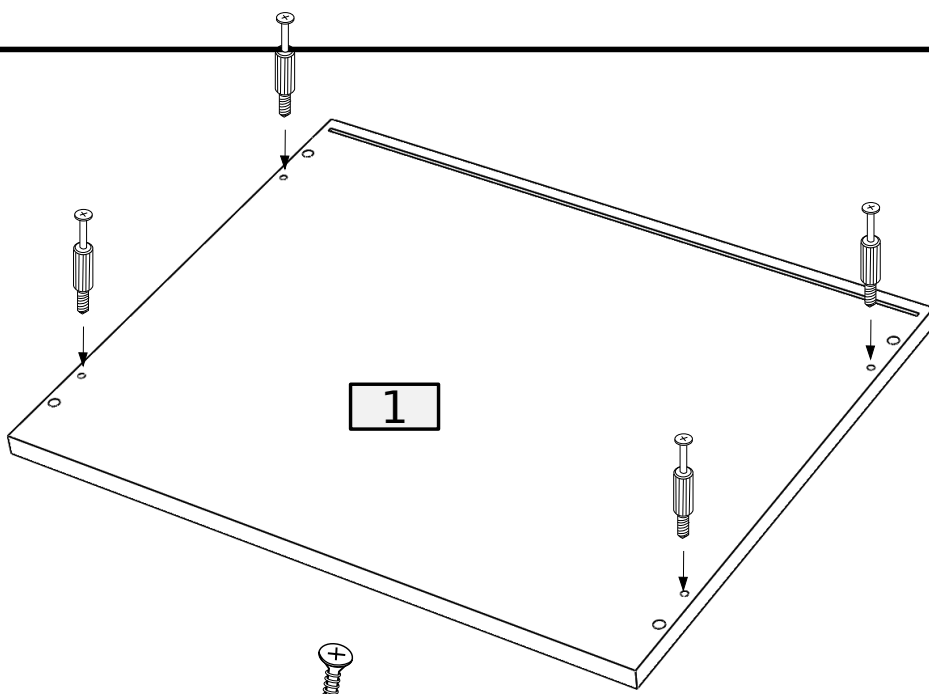


x1

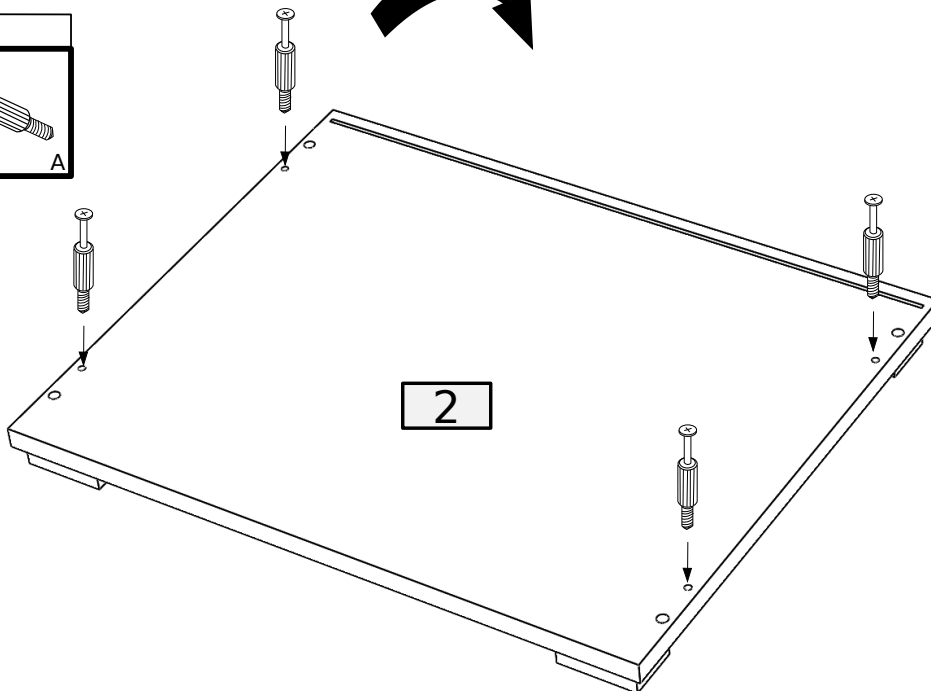
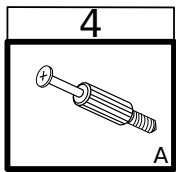
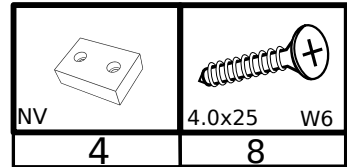
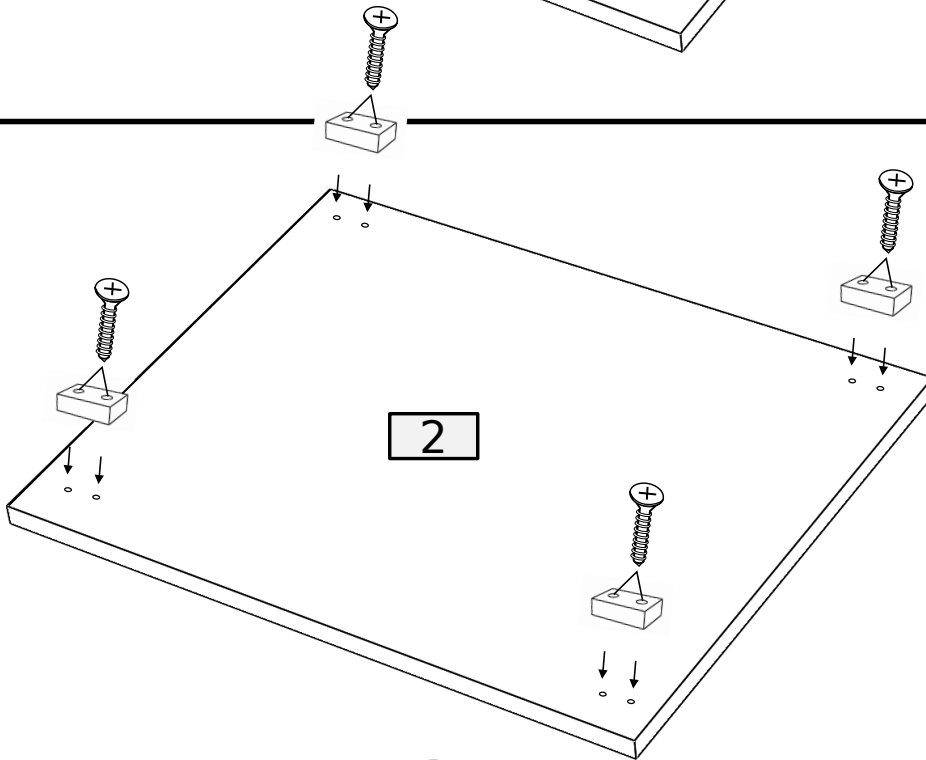


| No. | Pcs. | L | W | D | Pac |
|-----|------|------|-----|----|-----|
| 1 | 1 | 500 | 400 | 16 | 2/2 |
| 2 | 1 | 500 | 400 | 16 | 2/2 |
| 3 | 1 | 1948 | 398 | 16 | 1/2 |
| 4 | 1 | 1948 | 398 | 16 | 1/2 |
| 5 | 2 | 370 | 466 | 16 | 1/2 |
| 6 | 1 | 370 | 466 | 16 | 1/2 |
| 7 | 1 | 378 | 466 | 16 | 1/2 |
| 8 | 2 | 466 | 90 | 16 | 2/2 |
| 9 | 3 | 350 | 110 | 16 | 2/2 |
| 10 | 3 | 409 | 90 | 16 | 2/2 |
| 11 | 3 | 350 | 110 | 16 | 2/2 |
| 12 | 3 | 424 | 352 | 3 | 2/2 |
| 13 | 2 | 462 | 160 | 16 | 2/2 |
| 14 | 1 | 462 | 160 | 16 | 2/2 |
| 15 | 1 | 1962 | 482 | 3 | 1/2 |

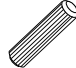

1

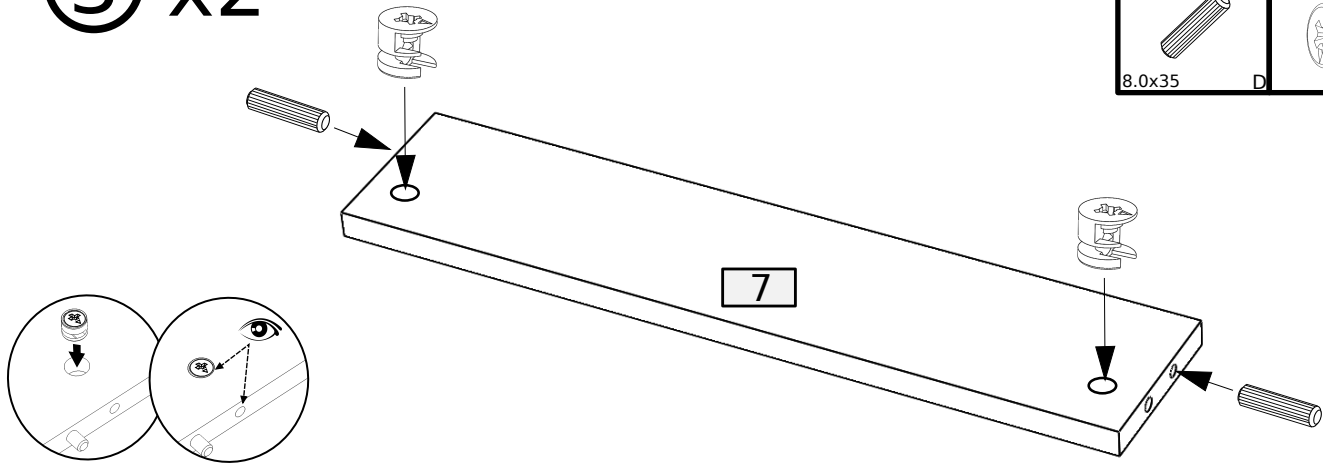


2



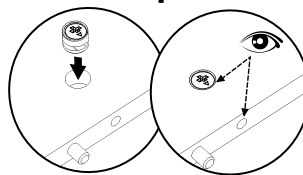
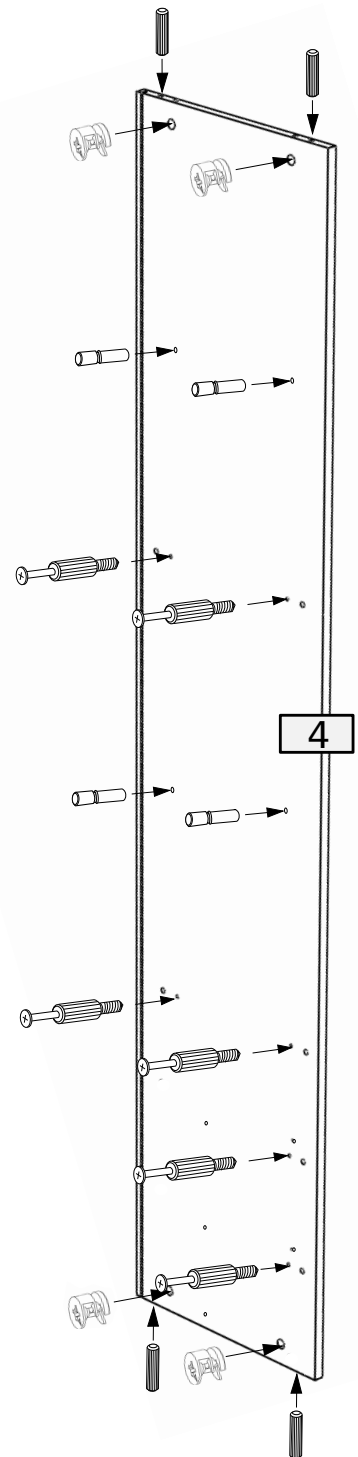
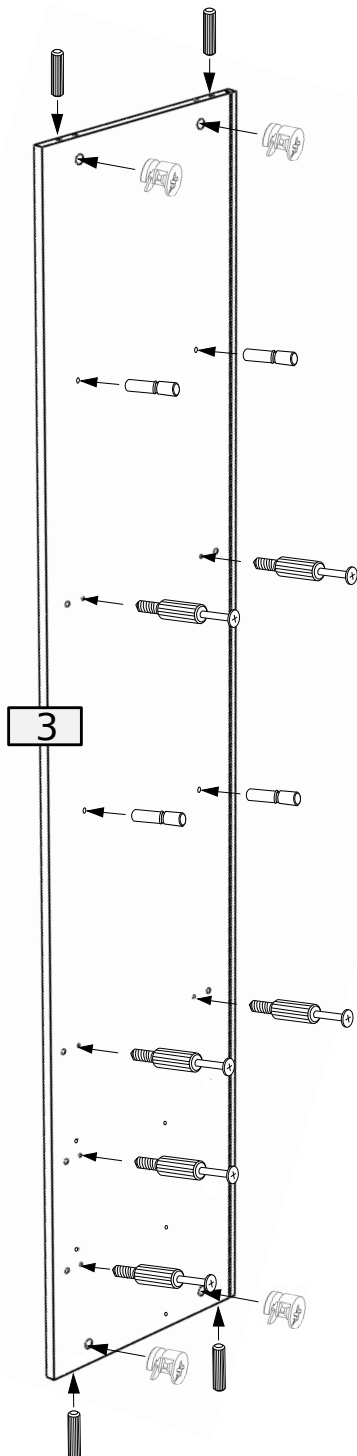
③ x2


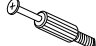


| | |
|-------------------------------------------------------------------------------------|-------------------------------------------------------------------------------------|
| 2 | 2 |
|  |  |
| 8.0x35 | D B |





④

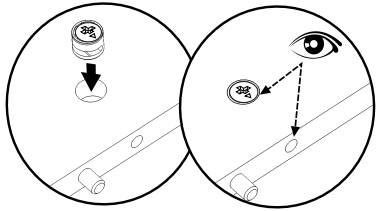
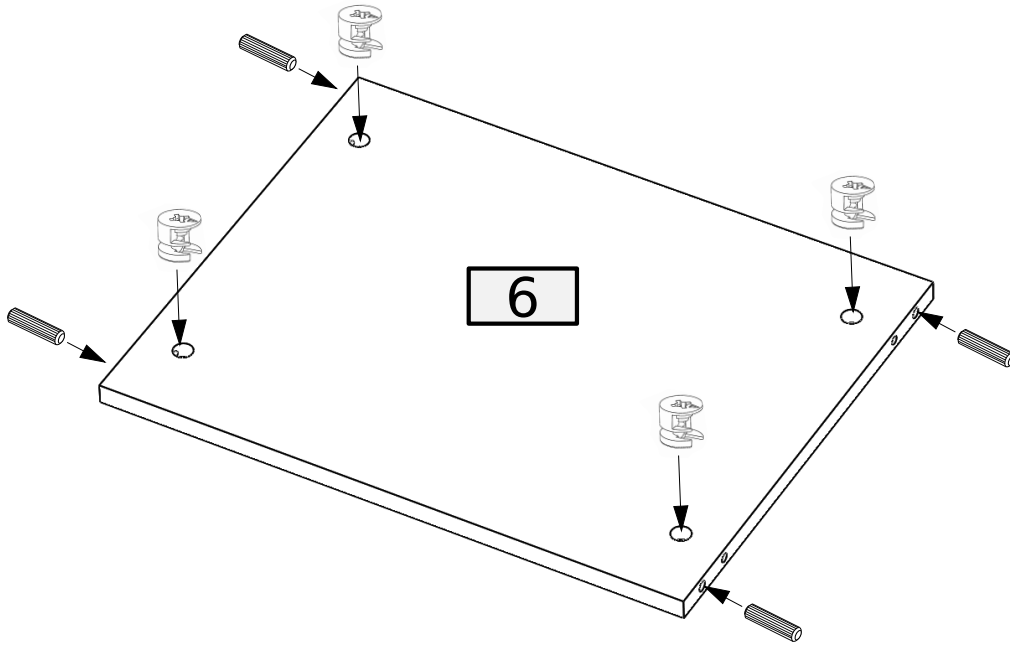
⑤





| | | | |
|-------------------------------------------------------------------------------------|-------------------------------------------------------------------------------------|-------------------------------------------------------------------------------------|---------------------------------------------------------------------------------------|
| 8 | 12 | 8 | 8 |
|  |  |  |  |
| S3 | A | 8.0x35 | D B |

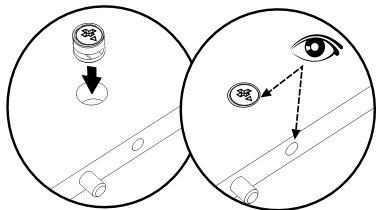
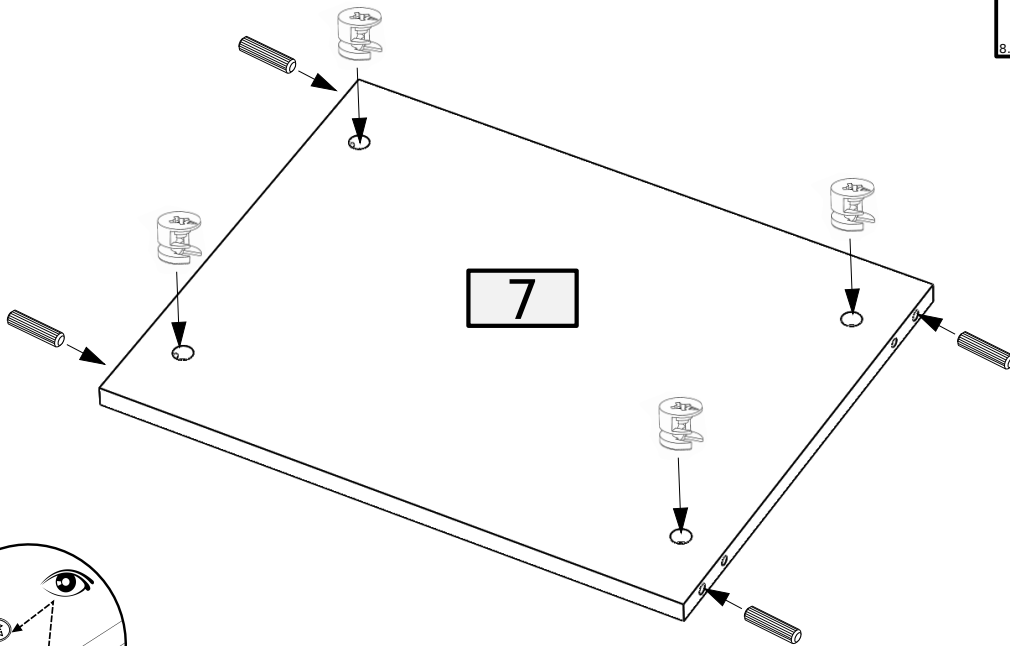
6

| | |
|-------------------------------------------------------------------------------------|-------------------------------------------------------------------------------------|
| 4 | 4 |
|  |  |
| 8.0x35 | D B |



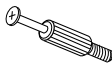


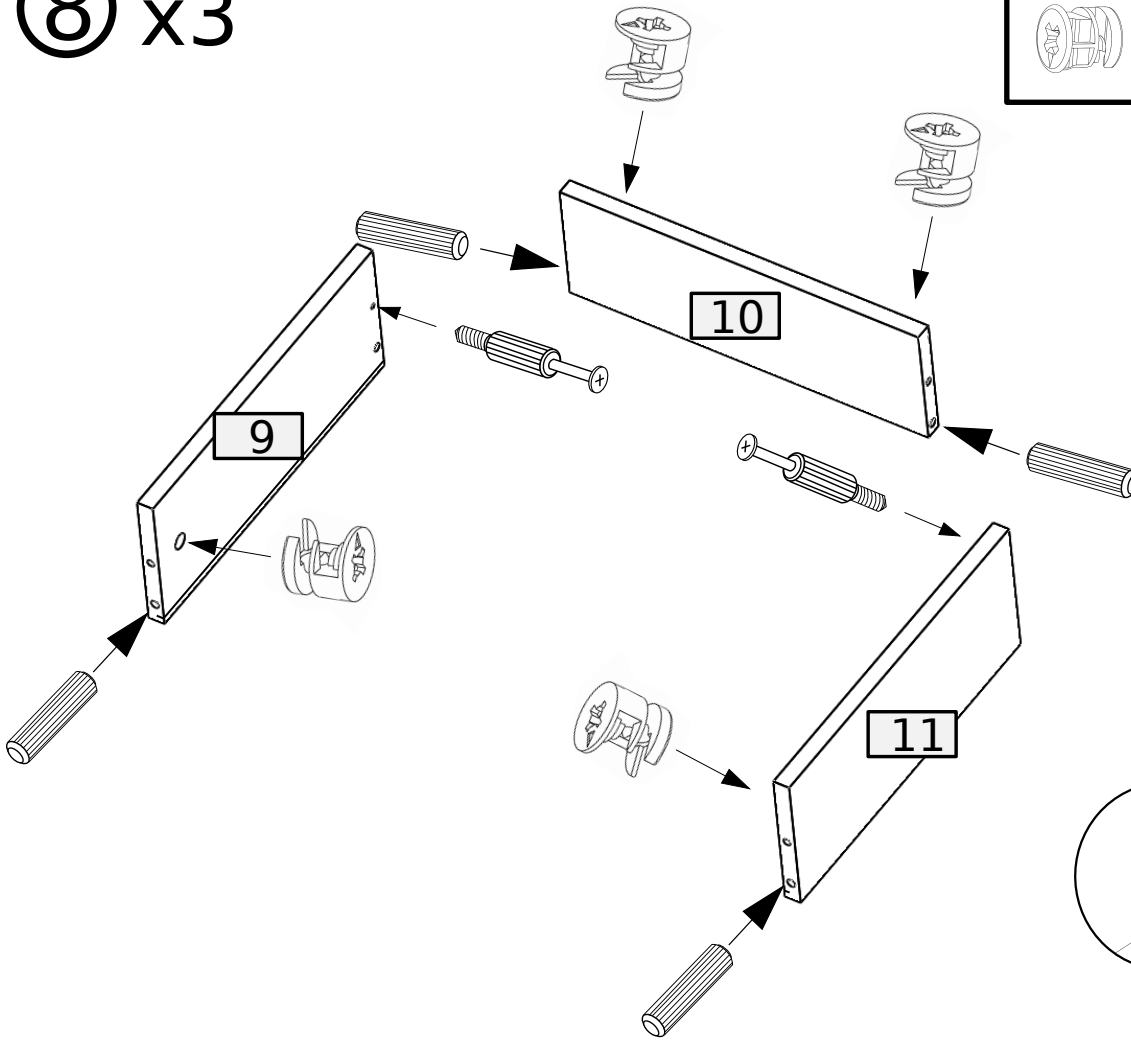
7

| | |
|---------------------------------------------------------------------------------------|---------------------------------------------------------------------------------------|
| 4 | 4 |
|  |  |
| 8.0x35 | D B |

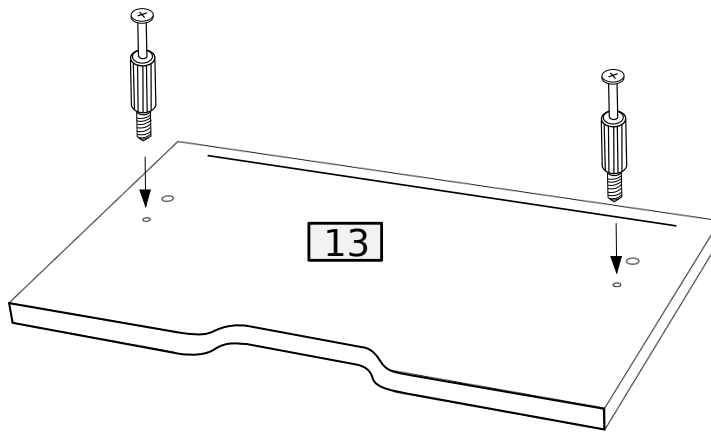


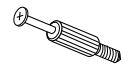
⑧ x3

| | | |
|------------------------------------------------------------------------------------|------------------------------------------------------------------------------------|------------------------------------------------------------------------------------|
| 4 | 4 | 2 |
|  |  |  |
| B | 8.0x35 | D |
| A | | |

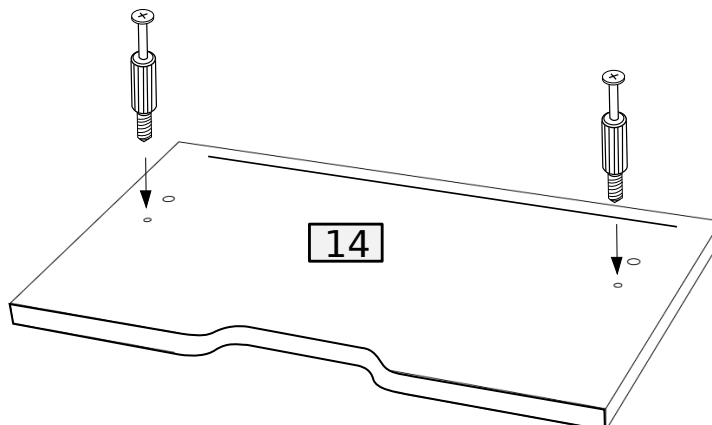


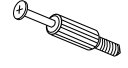
⑨ x2



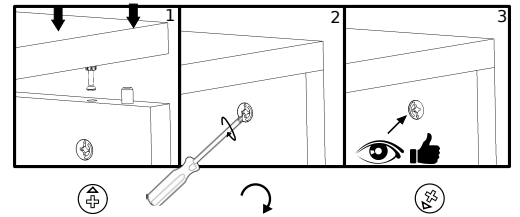
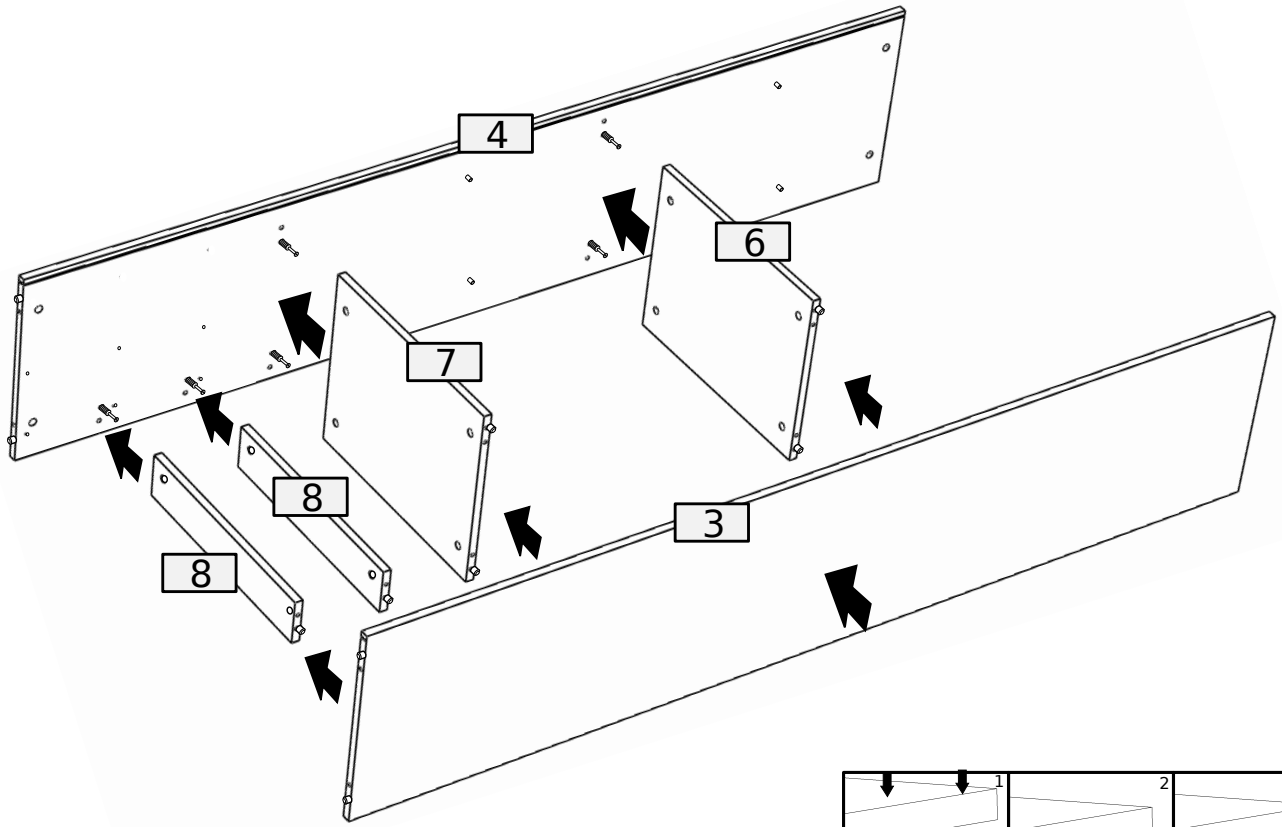
| |
|---------------------------------------------------------------------------------------|
| 2 |
|  |
| A |

⑩

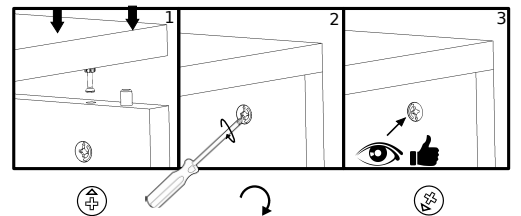
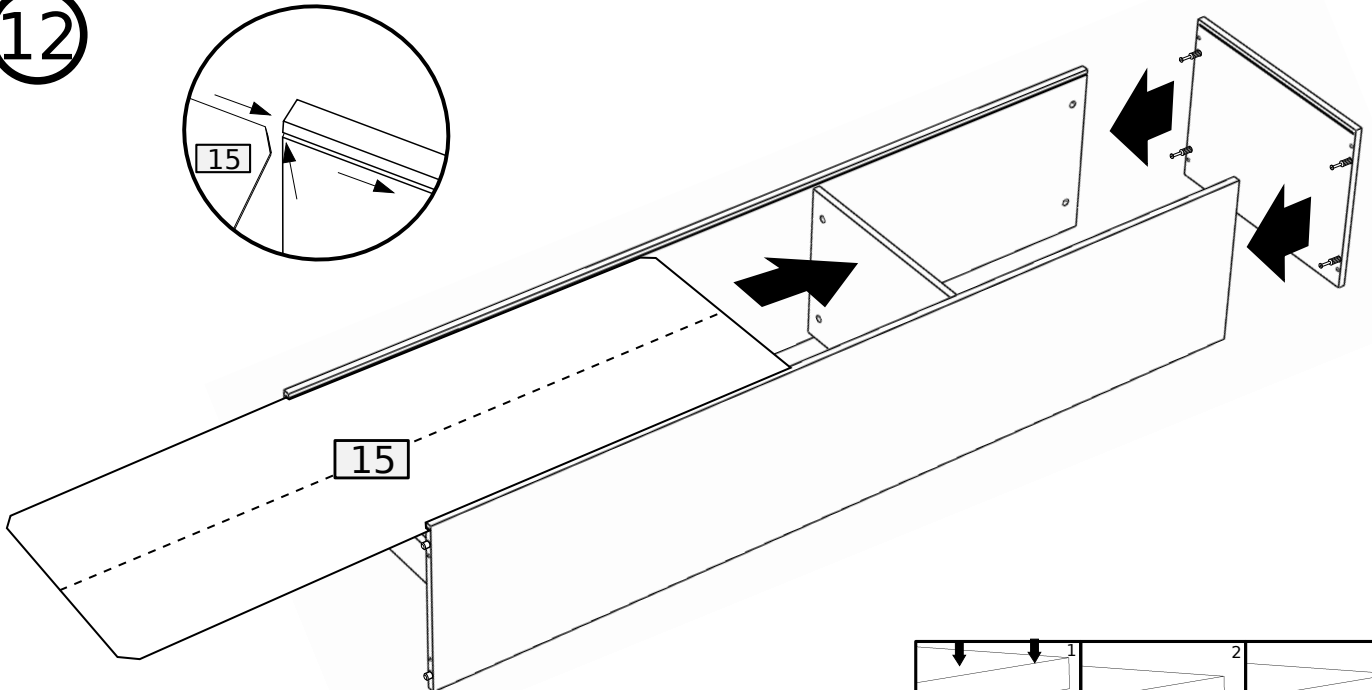


| |
|---------------------------------------------------------------------------------------|
| 2 |
|  |
| A |

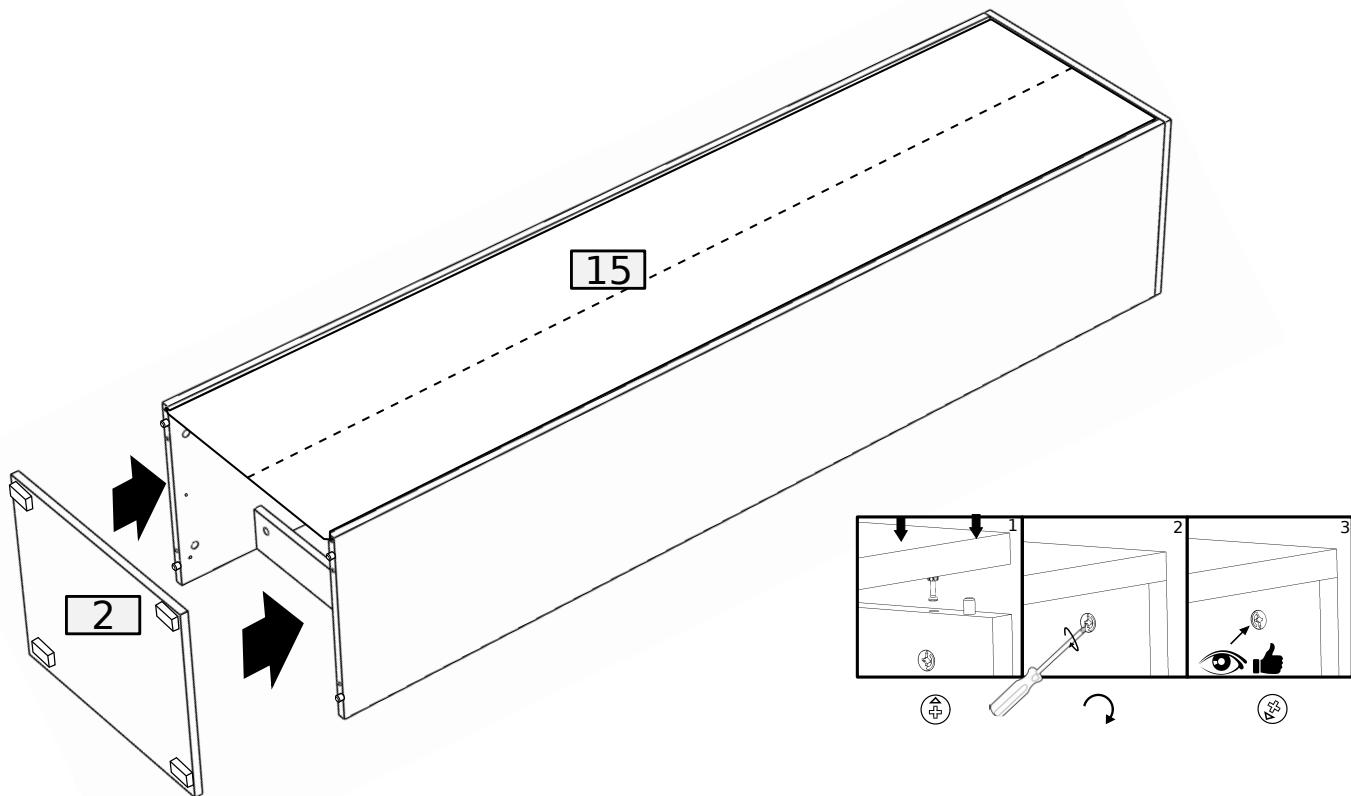
11



12

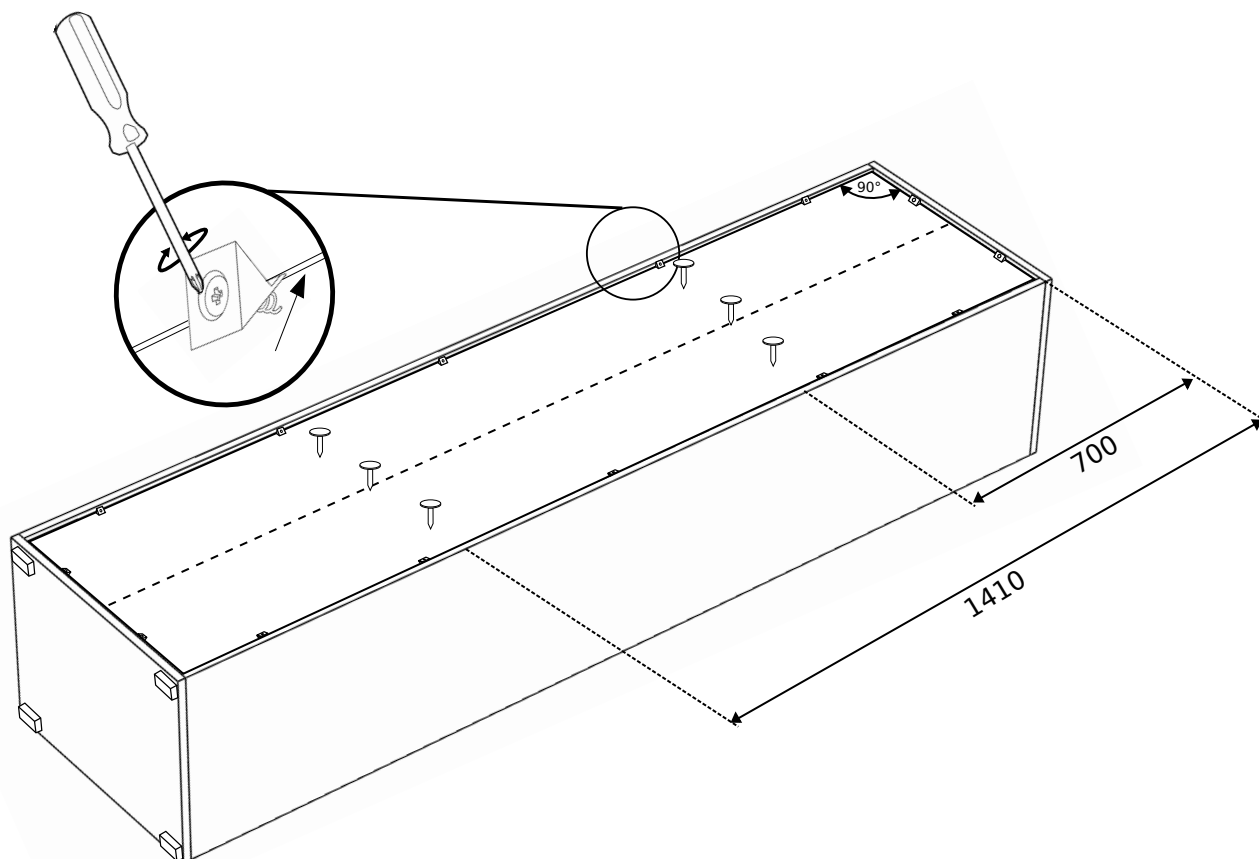


13

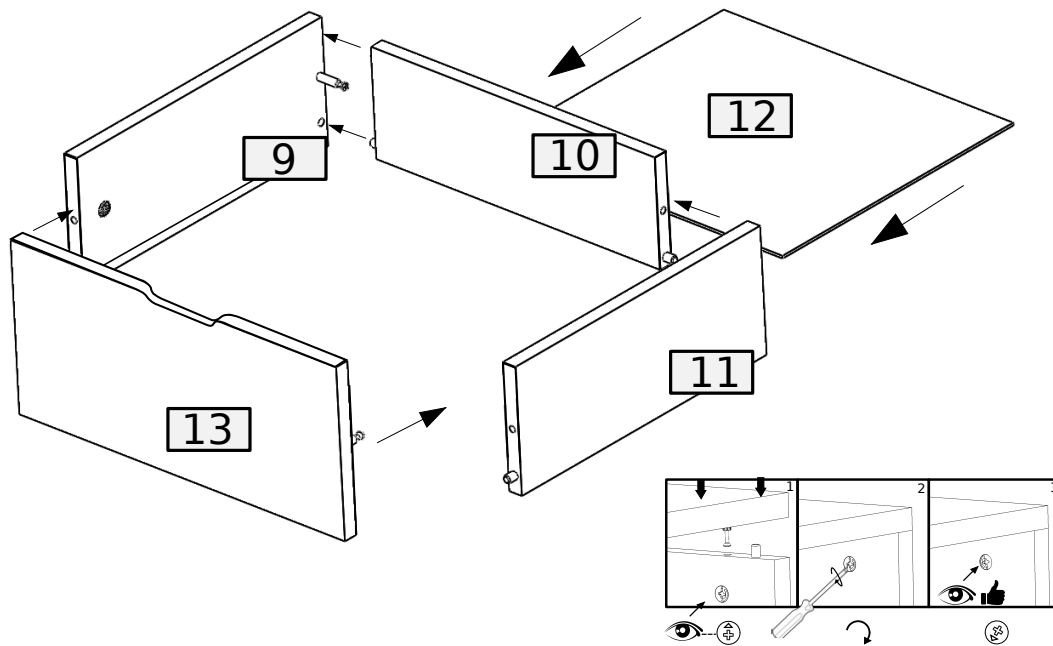


14

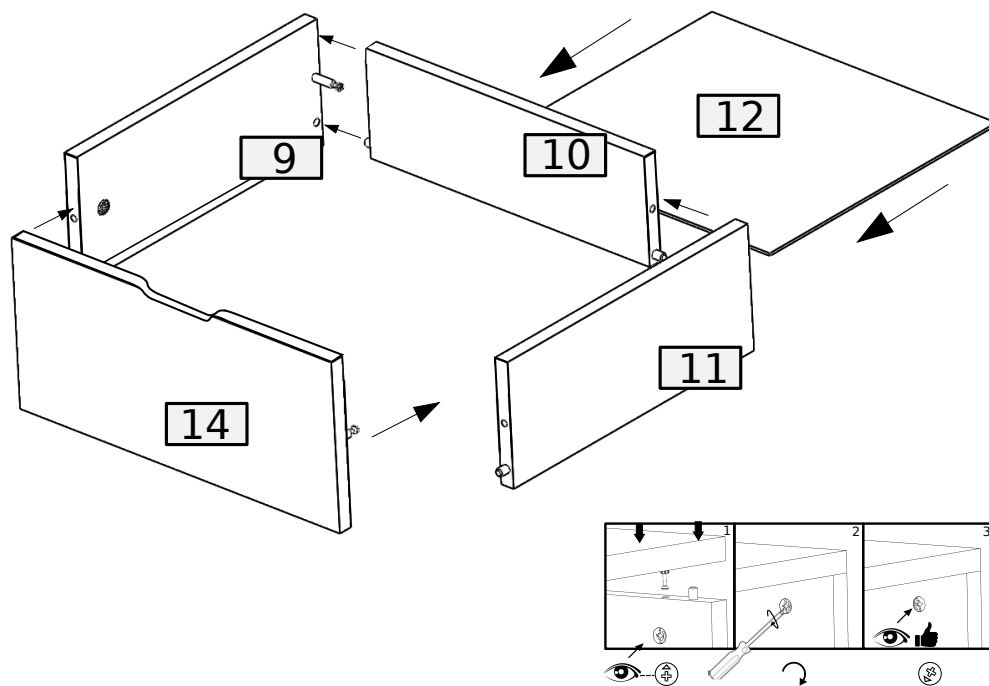
| | |
|----|---|
| 14 | 6 |
| | |
| I | G |



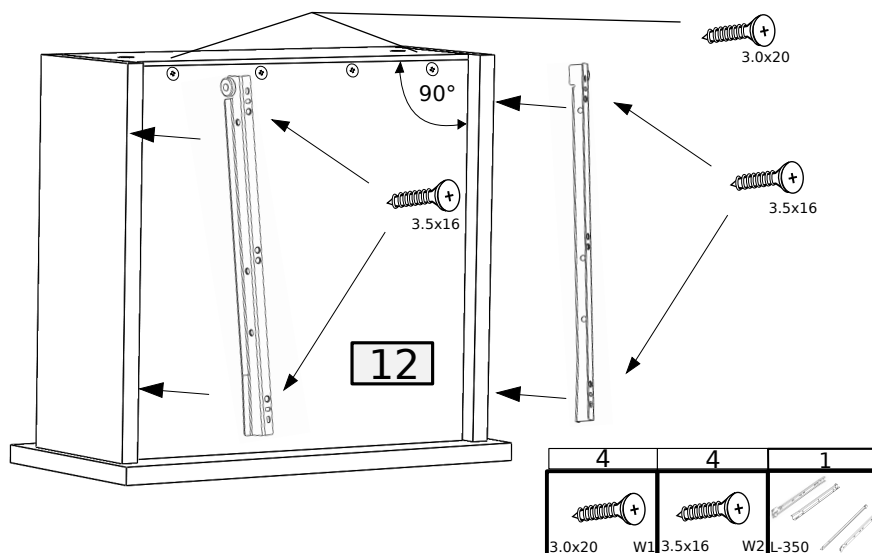
15 x2





x1

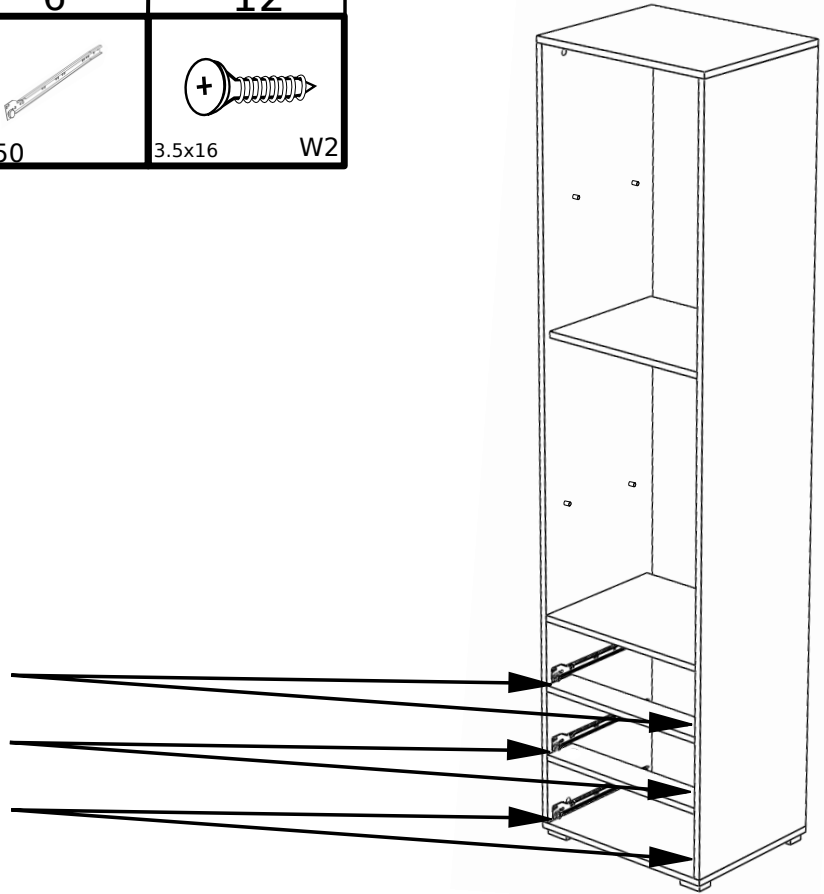
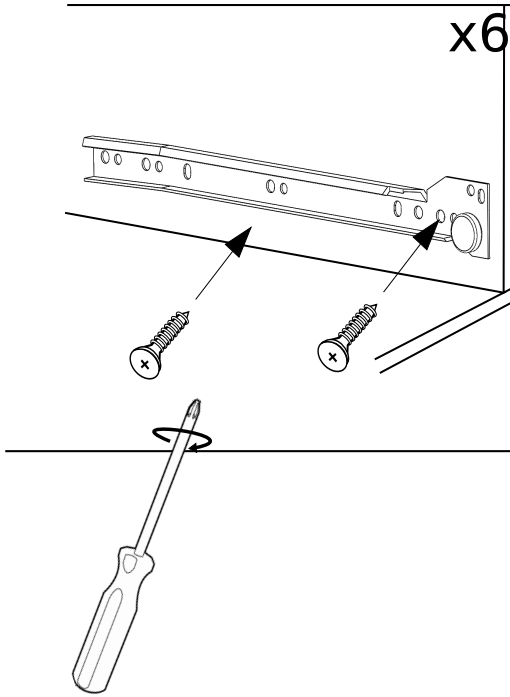


16 x3

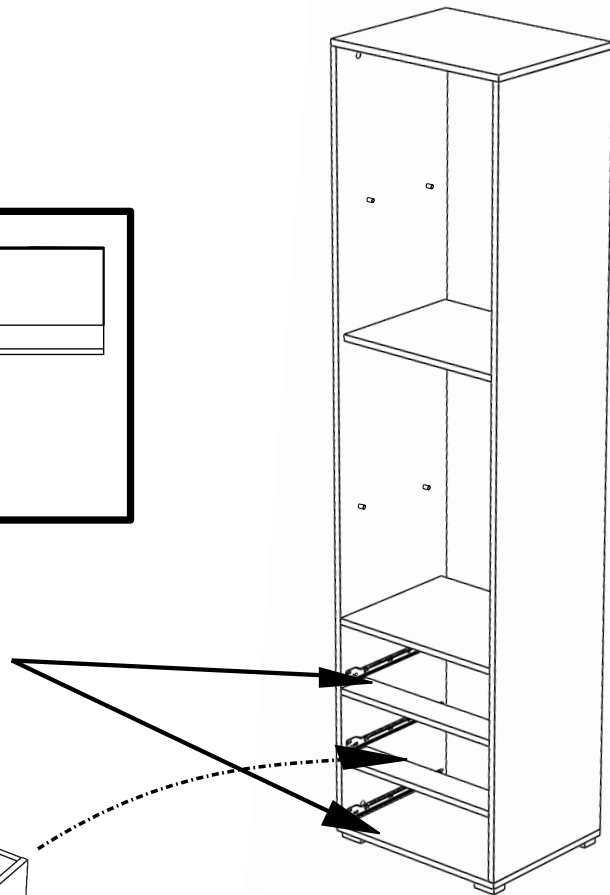
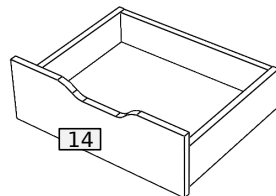
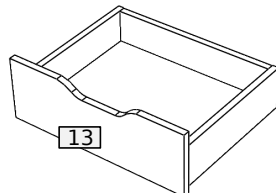
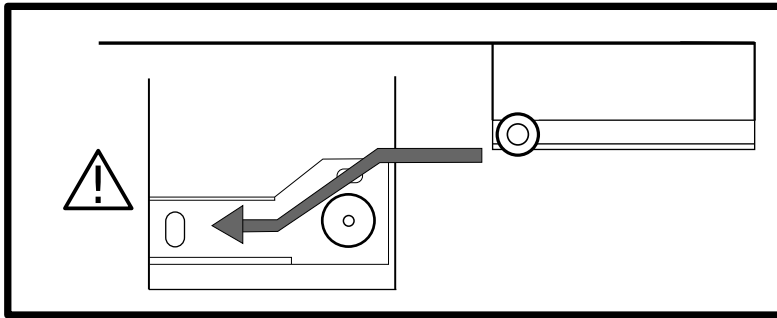


17

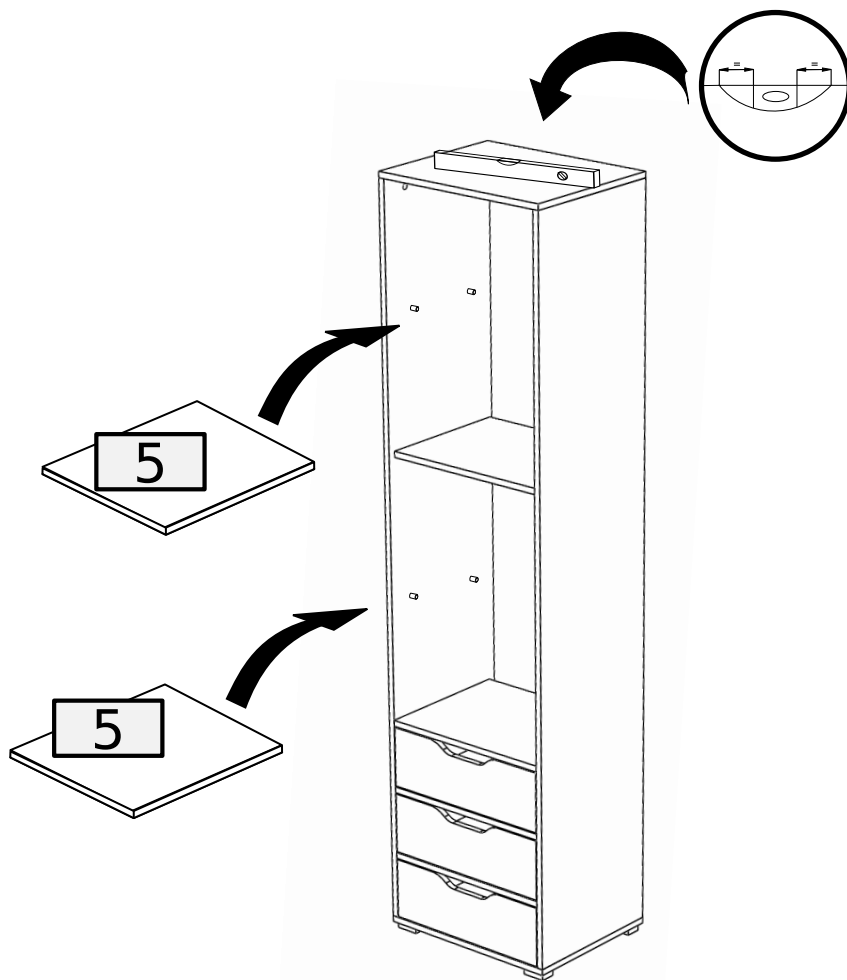
| | |
|-----------------------------------------------------------------------------------|-----------------------------------------------------------------------------------|
| 6 | 12 |
|  |  |
| L-350 | 3.5x16 W2 |



18



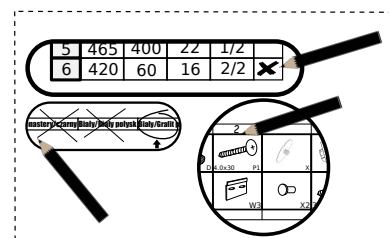
21



Formularz reklamacyjny • Complaint Form • Beschwerdeformular



- Zaznacz brakujący lub uszkodzony element.
- Mark the missing or damaged element.
- Markieren Sie das fehlende oder beschädigte element.



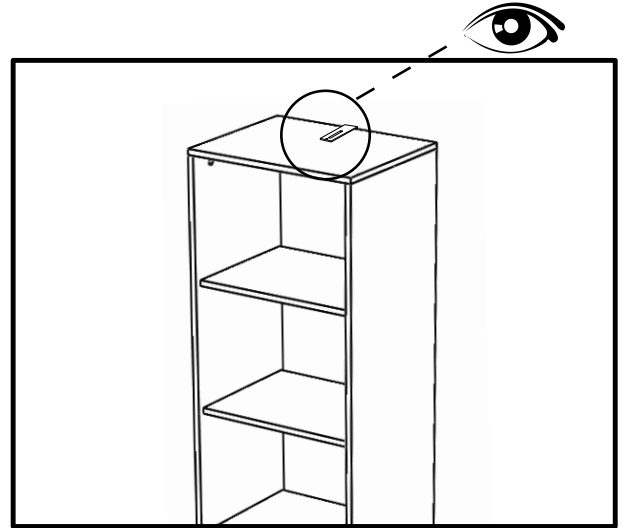
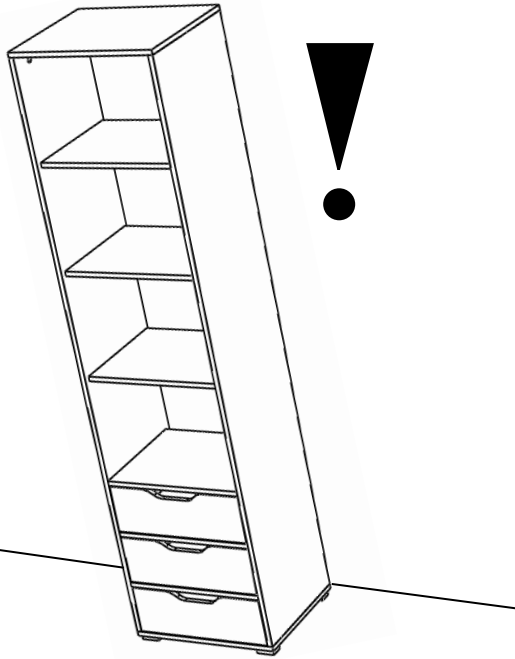
| No. | Pcs. | L | W | D | Pac | X | Pcs. |
|-----|------|------|-----|----|-----|---|------|
| 1 | 1 | 500 | 400 | 16 | 2/2 | | |
| 2 | 1 | 500 | 400 | 16 | 2/2 | | |
| 3 | 1 | 1948 | 398 | 16 | 1/2 | | |
| 4 | 1 | 1948 | 398 | 16 | 1/2 | | |
| 5 | 2 | 370 | 466 | 16 | 1/2 | | |
| 6 | 1 | 370 | 466 | 16 | 1/2 | | |
| 7 | 1 | 378 | 466 | 16 | 1/2 | | |
| 8 | 2 | 466 | 90 | 16 | 2/2 | | |
| 9 | 3 | 350 | 110 | 16 | 2/2 | | |
| 10 | 3 | 409 | 90 | 16 | 2/2 | | |
| 11 | 3 | 350 | 110 | 16 | 2/2 | | |
| 12 | 3 | 424 | 352 | 3 | 2/2 | | |
| 13 | 2 | 462 | 160 | 16 | 2/2 | | |
| 14 | 1 | 462 | 160 | 16 | 2/2 | | |
| 15 | 1 | 1962 | 482 | 3 | 1/2 | | |

| | | | | | | | |
|---|-------|--------|--------|--------|--------|----|--------|
| | | | | | | | |
| B | A | 8.0x35 | D | 3.5x16 | W2 | S3 | G |
| | | | | | | | |
| X | L-350 | NV | 4.0x25 | W6 | 3.0x20 | W1 | I |
| | | | | | | | 6.3x13 |
| | | | | | | | F |

IWA R3SZ

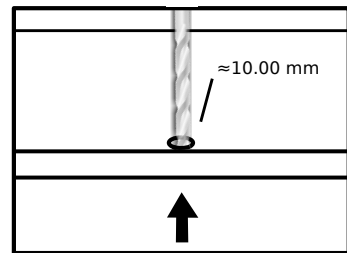
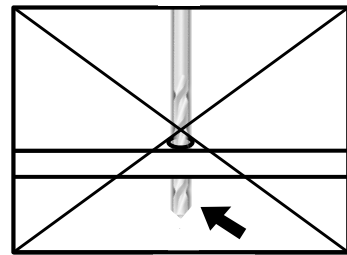
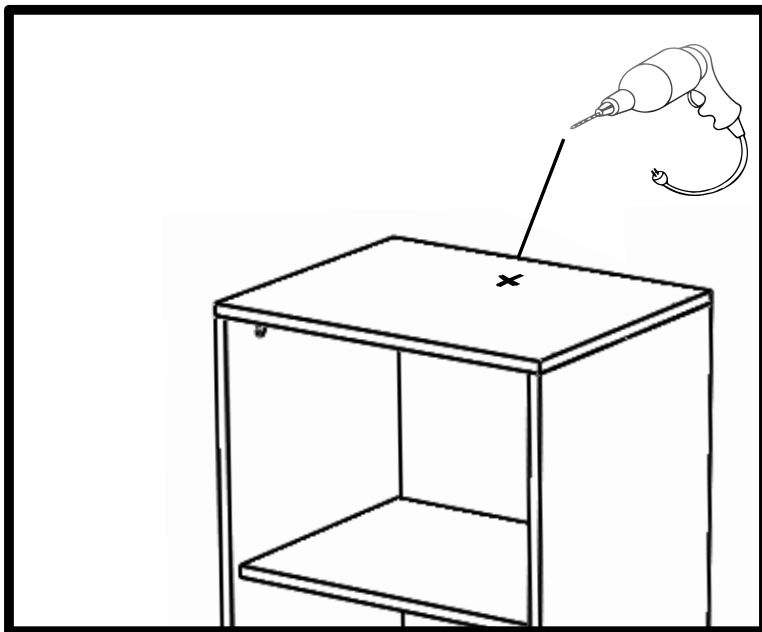


Dla bezpieczeństwa! • For safety reason! • Zur Sicherheit!

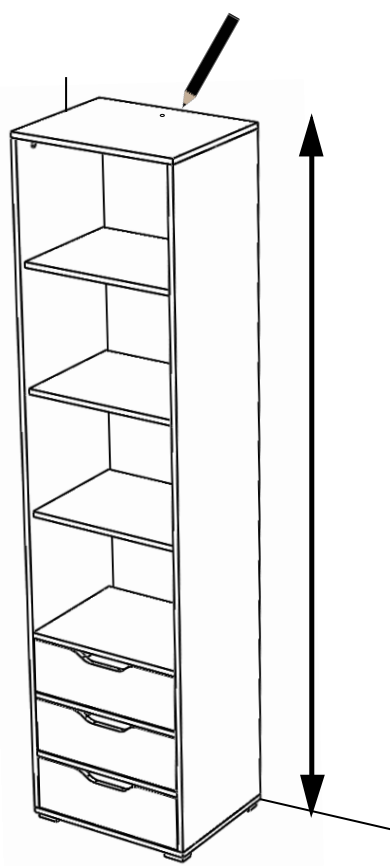


1

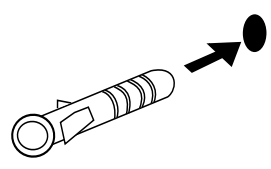
ø5.00 mm



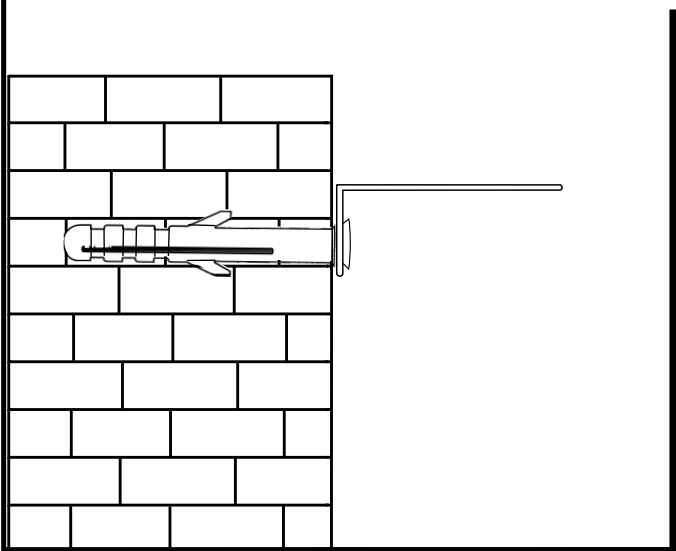
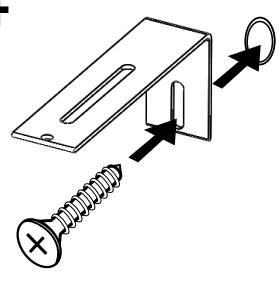
2



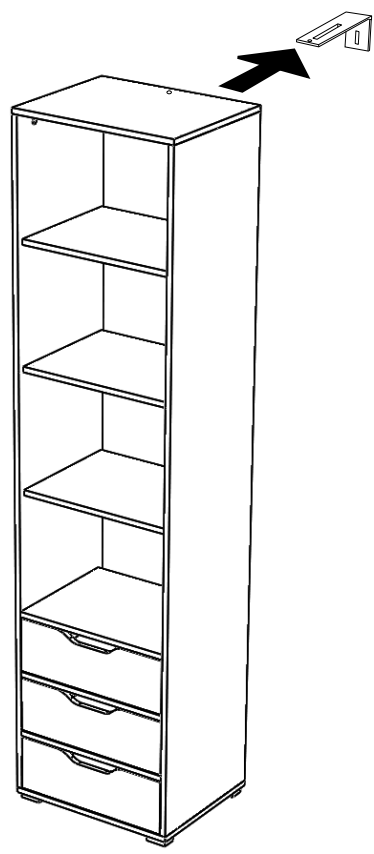
3



4



5



6

