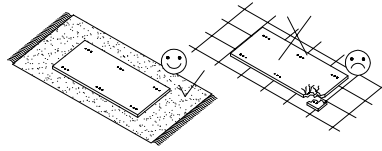
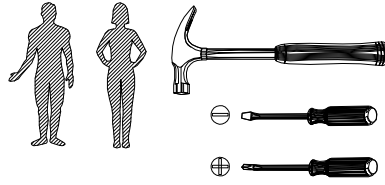
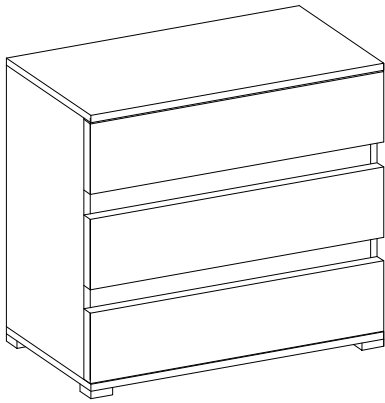
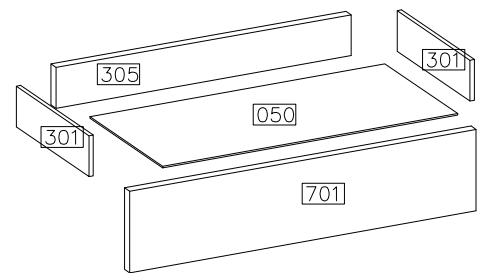
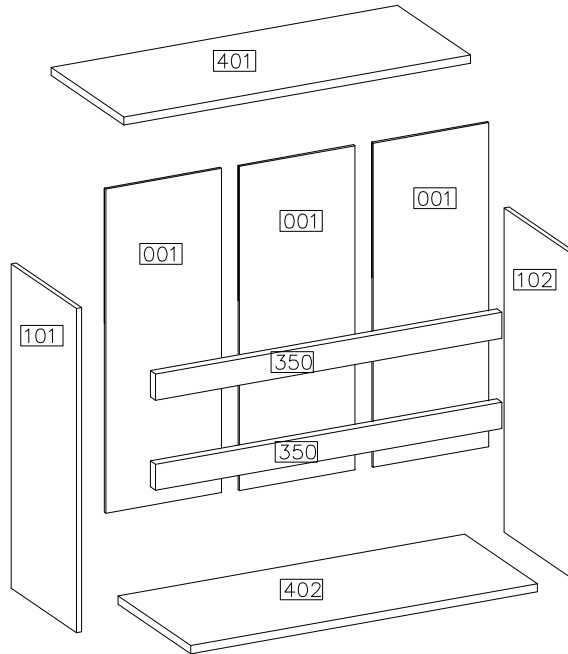
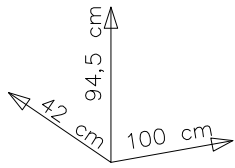





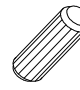


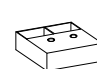

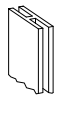

# LATTE

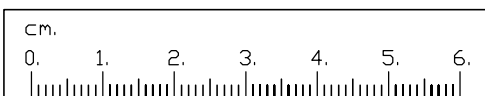
## 45




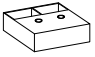
#	ART. NR	QUANTITY
1	401	1
2	402	1
3	101	1
4	102	1
5	701	3
6	301	6
7	305	3
8	050	3
9	001	3
10	350	2

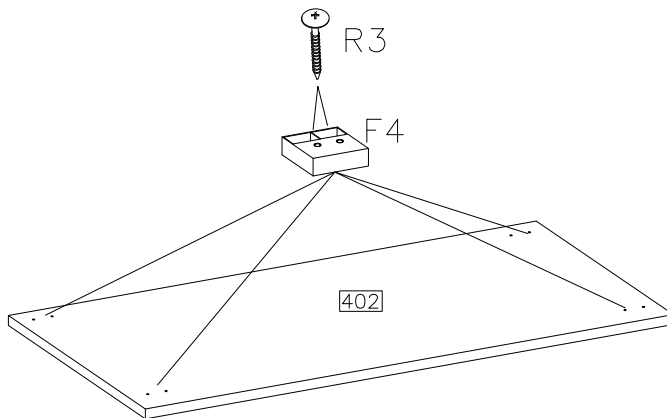


 D1	 C	 E	 A	 P6	 P1
24	24	24	36	12	12
4.0x35mm	 F4	 PR	 Z1	 F10	
8	4	3KPL	2	80	



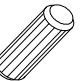


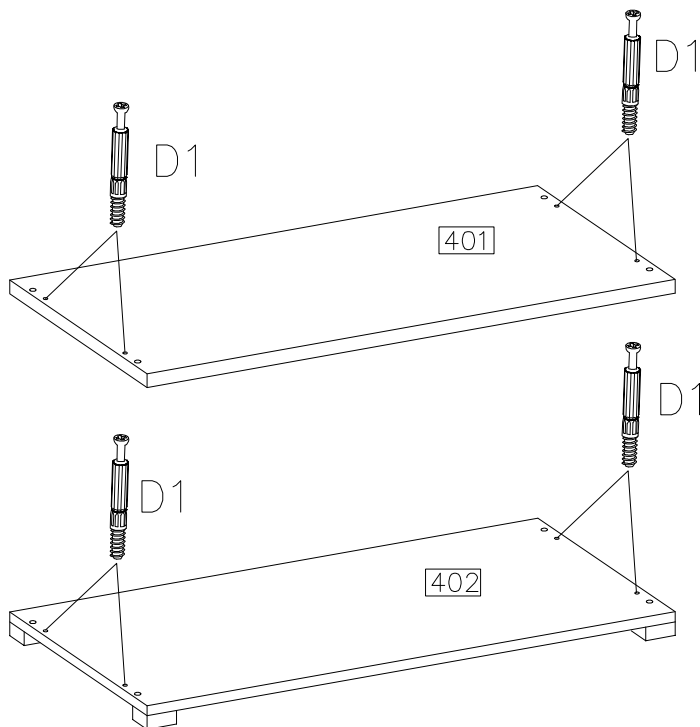
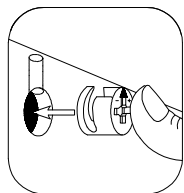
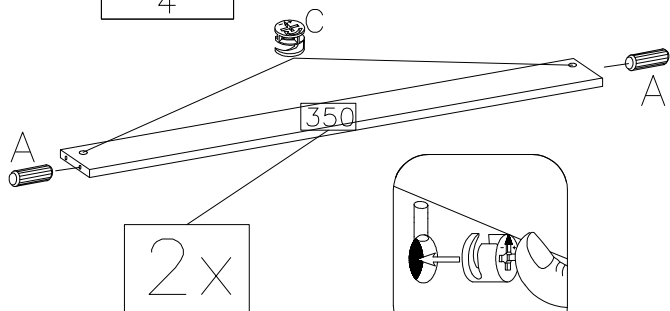
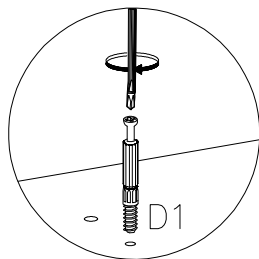
1

4.0x35mm  R3 8	 F4 4
---	--

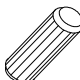




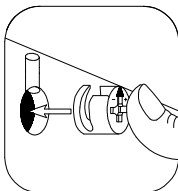
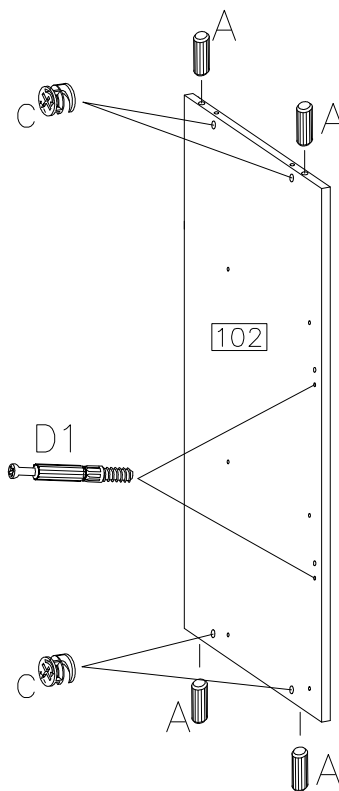
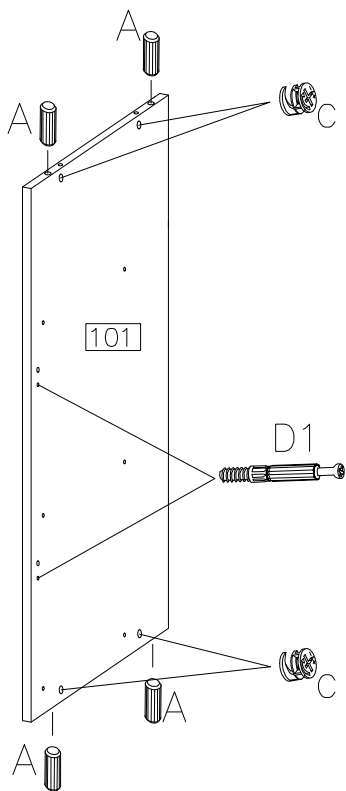
2

 D1 8	$\phi 15/12\text{mm}$  C 4
$\phi 8 \times 30\text{mm}$  A 4	

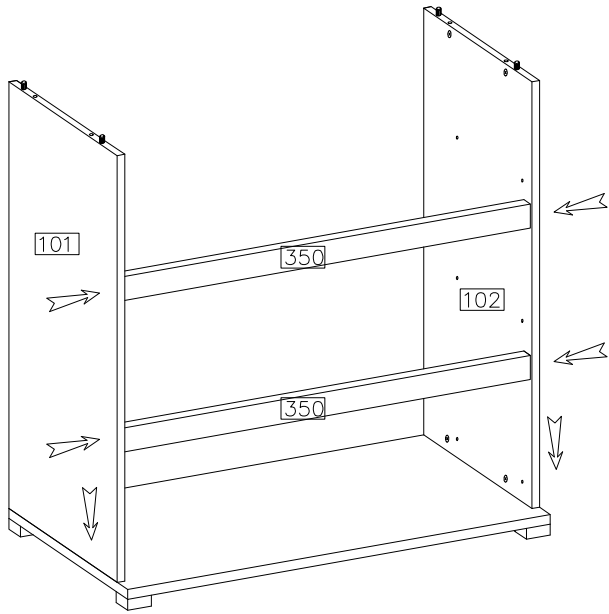
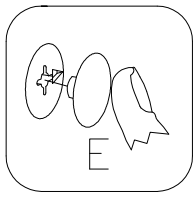
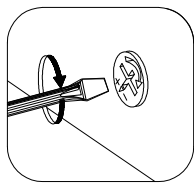
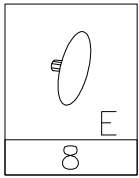


3

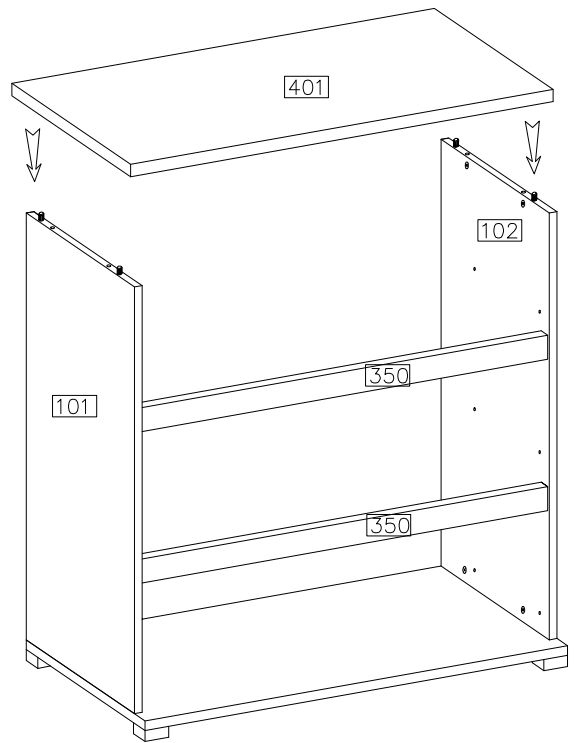
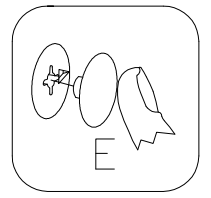
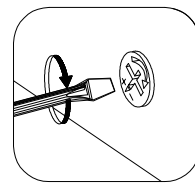
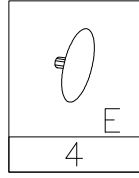
$\phi 8 \times 30\text{mm}$  A 8	$\phi 15/12\text{mm}$  C 8
 D1 4	



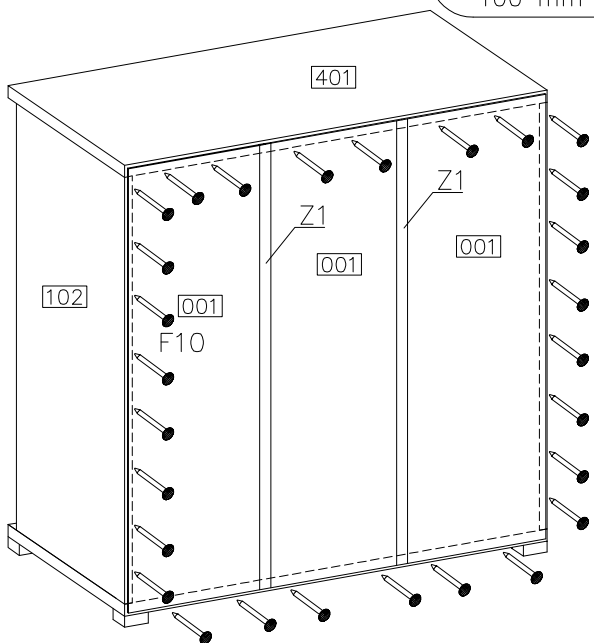
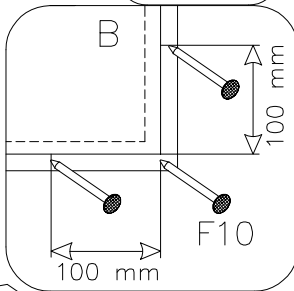
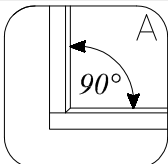
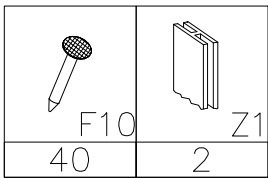
4



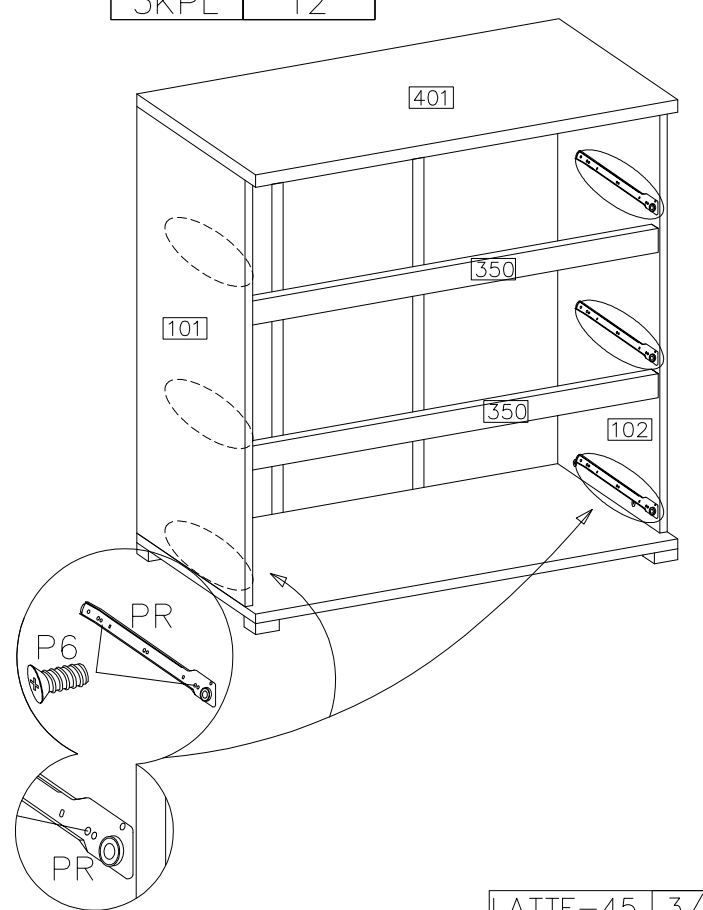
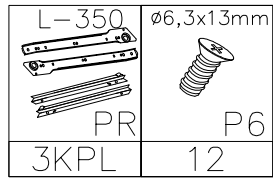
5



6

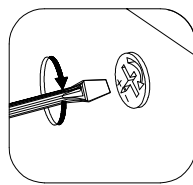


7

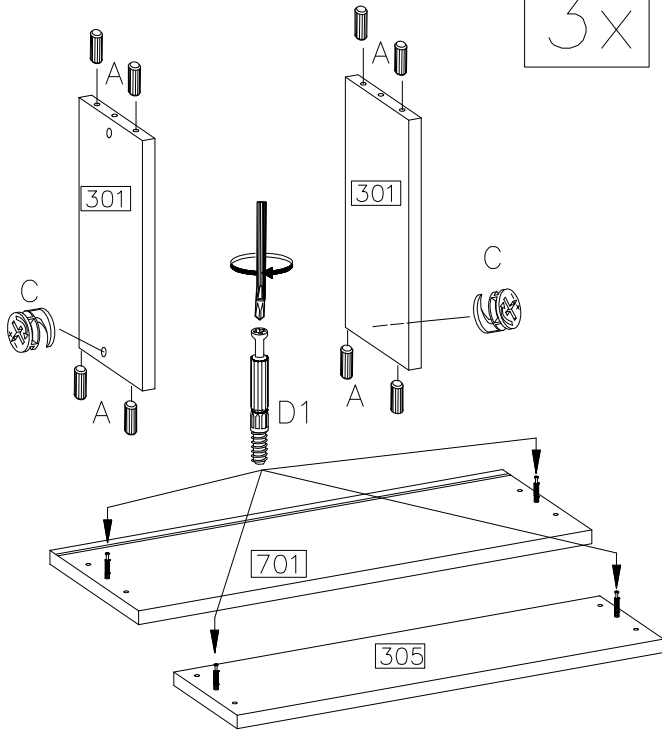


8

∅8x30mm A	∅15/12mm C	D1
24	6	12

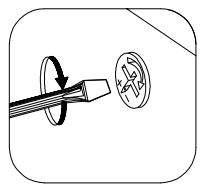


3x

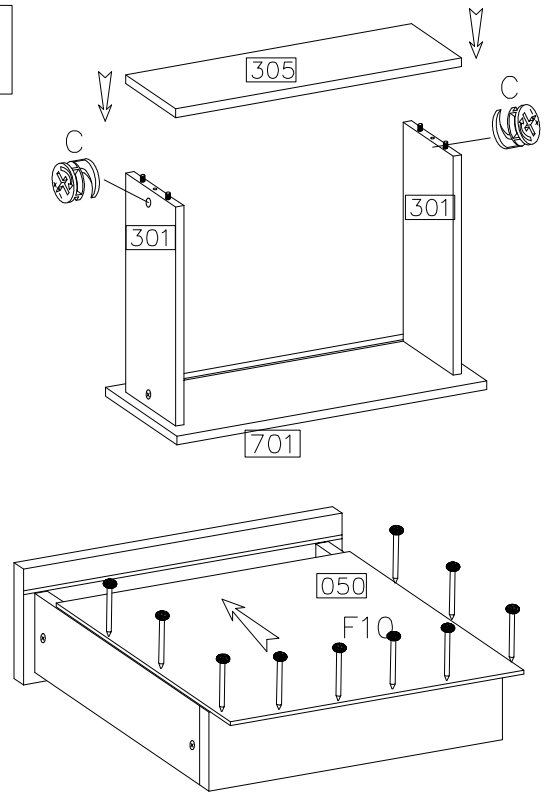


9

∅15/12mm C	F10
6	~40



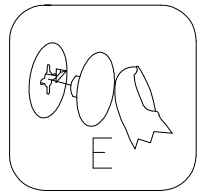
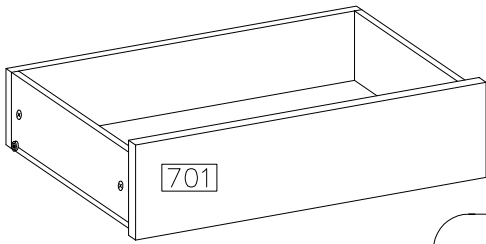
3x



10

E
12

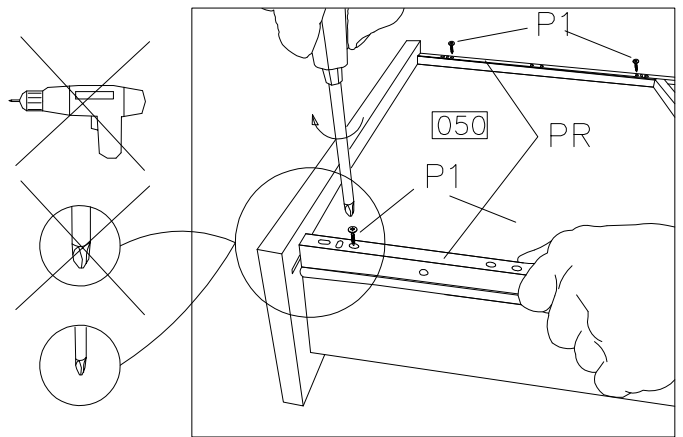
3x



11

L-350 PR	∅4.0x16mm P1
3KPL	12

3x



12

