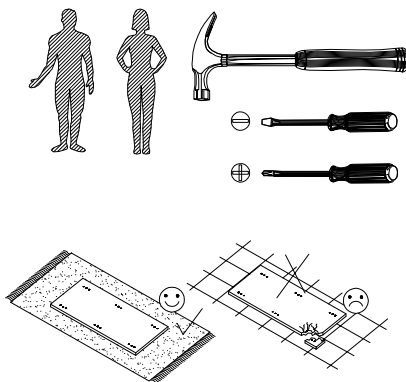
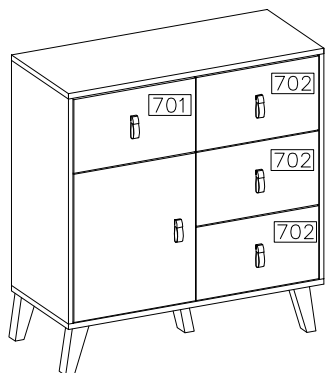
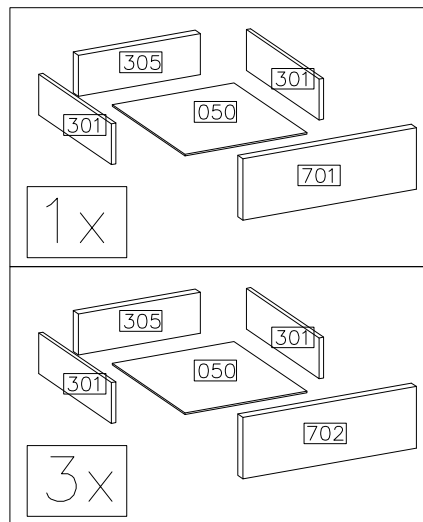
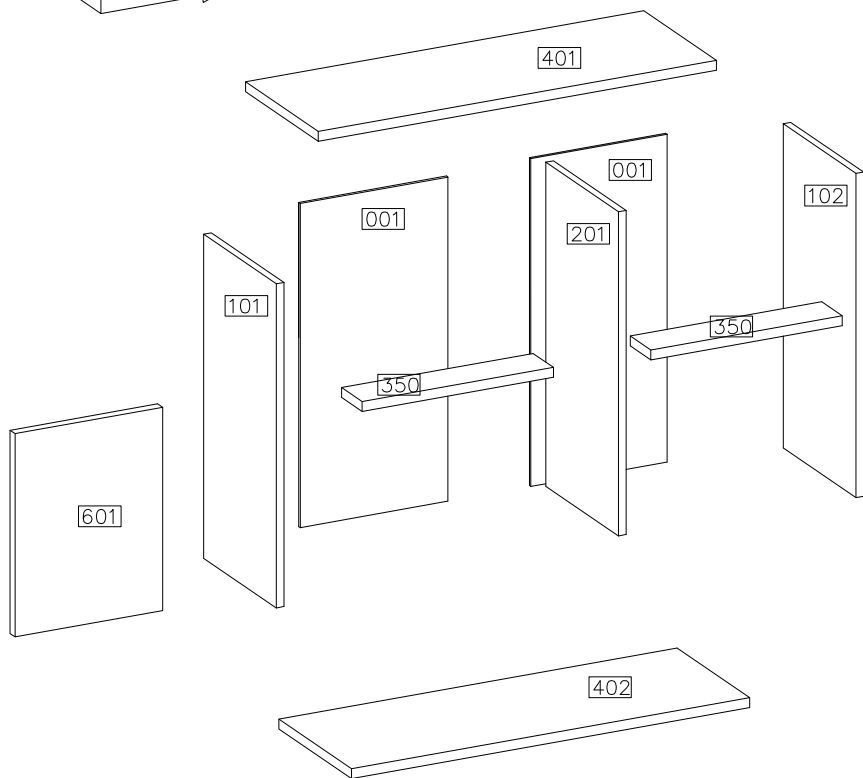
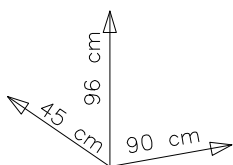


FIGO-4S1D

03







#	ART. NR	QUANTITY
1	401	1
2	402	1
3	101	1
4	102	1
5	201	1
6	350	2
7	701	1
8	702	3
9	301	8
10	305	4
11	050	4
12	001	2
13		

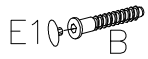
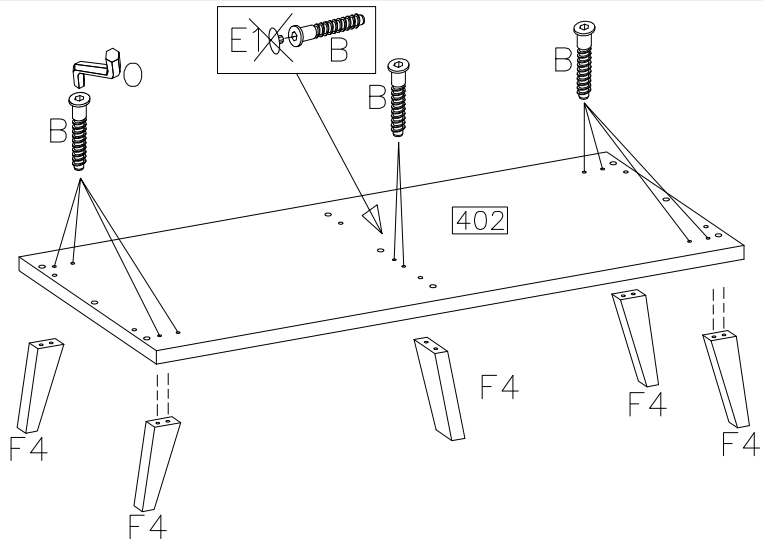


16	16	16	48	52	5	5	5	
80	5	10	10	1	4	4SZT	2	2




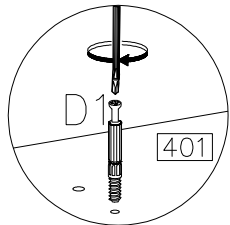
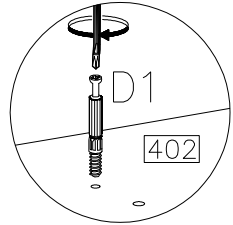
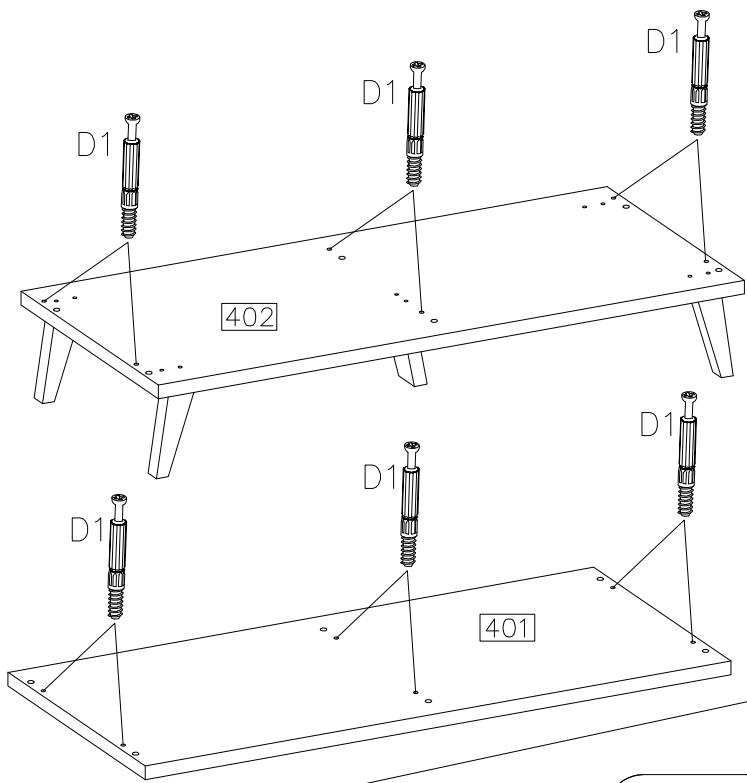
1

	
B	E1
10	8
	
F4	O
5	1

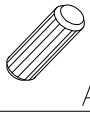
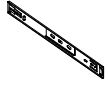



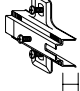


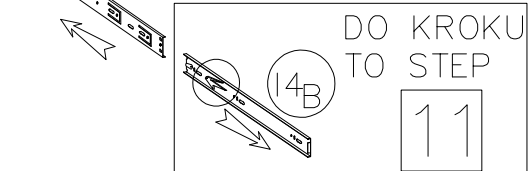
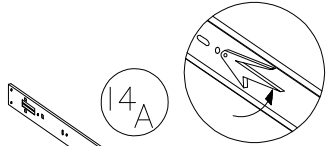
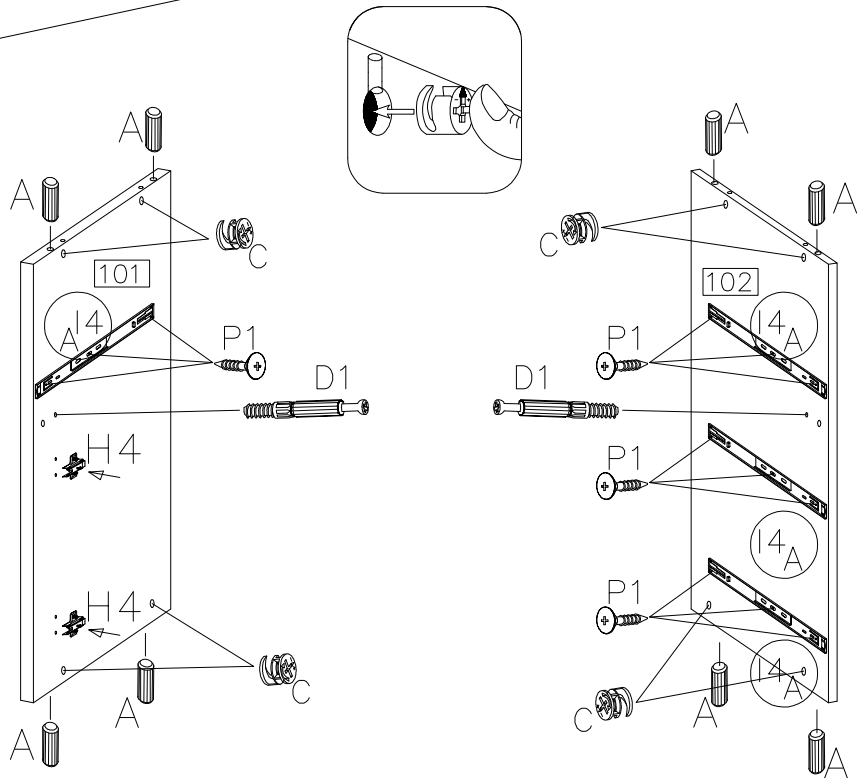
2


D1
12

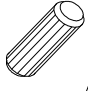






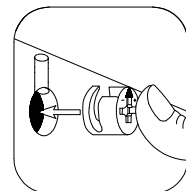
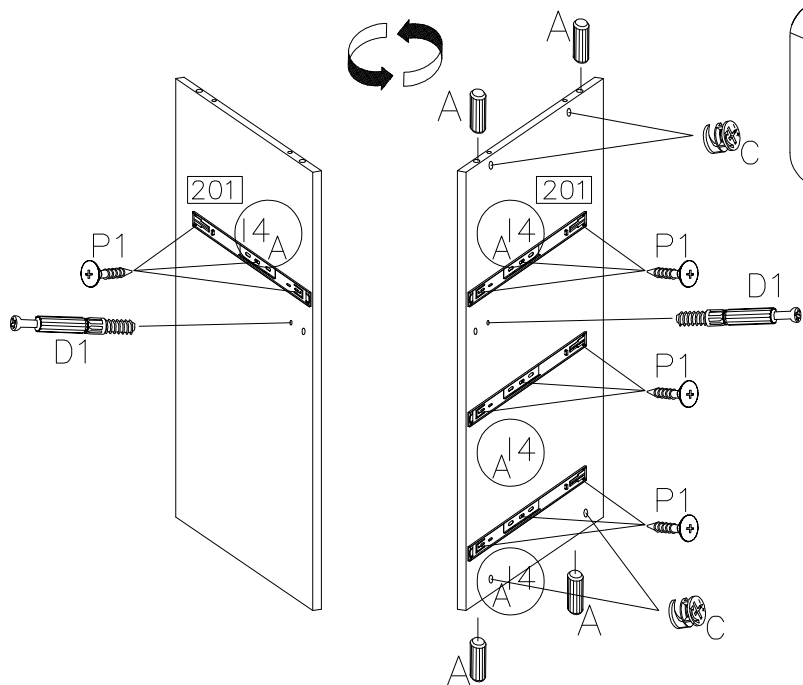
3

		
A	I4	D1
8	4SZT	2
		
$\varnothing 15/12\text{mm}$	$\varnothing 4.0 \times 16\text{mm}$	H=0
C	P1	H4
8	12	2

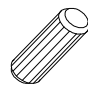



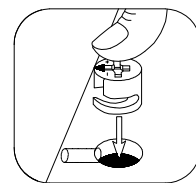
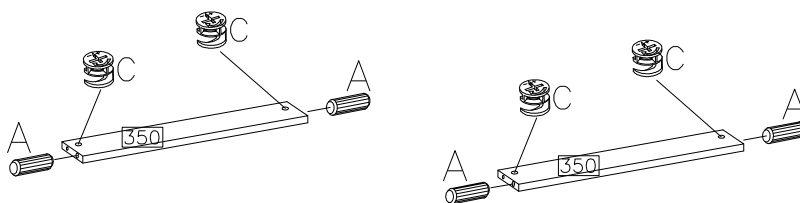
4

 A 4	 14 4SZT	 D1 2
 C 4	 P1 12	




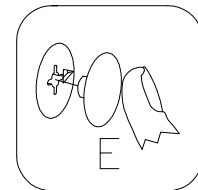
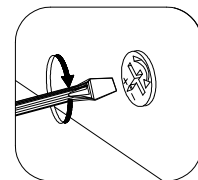
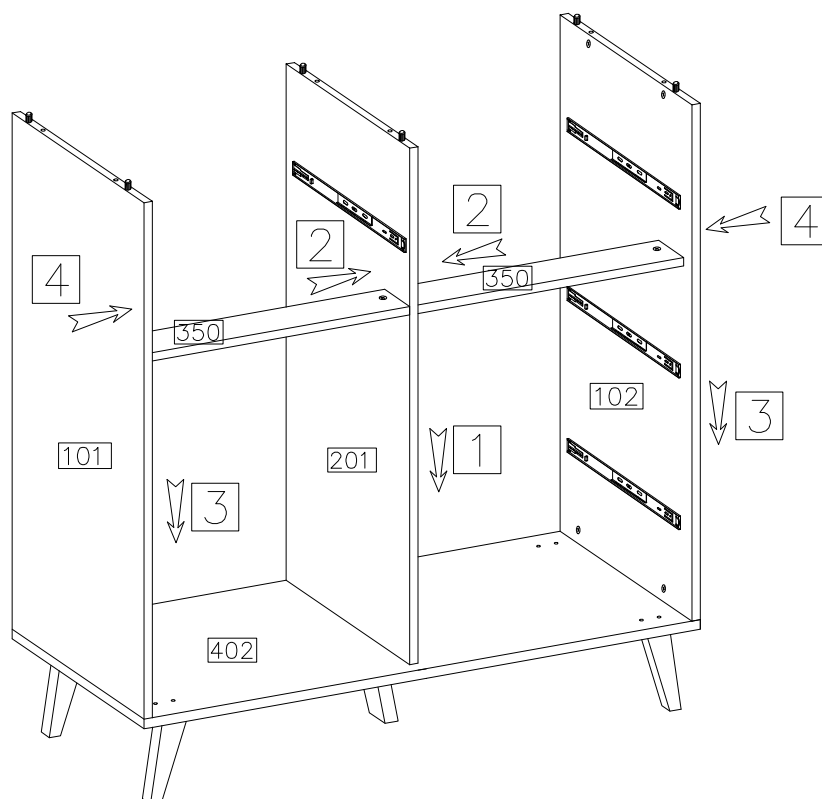
5

 A 4	 C 4
---	---

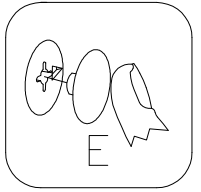
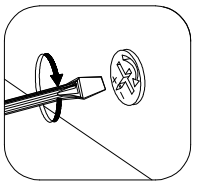
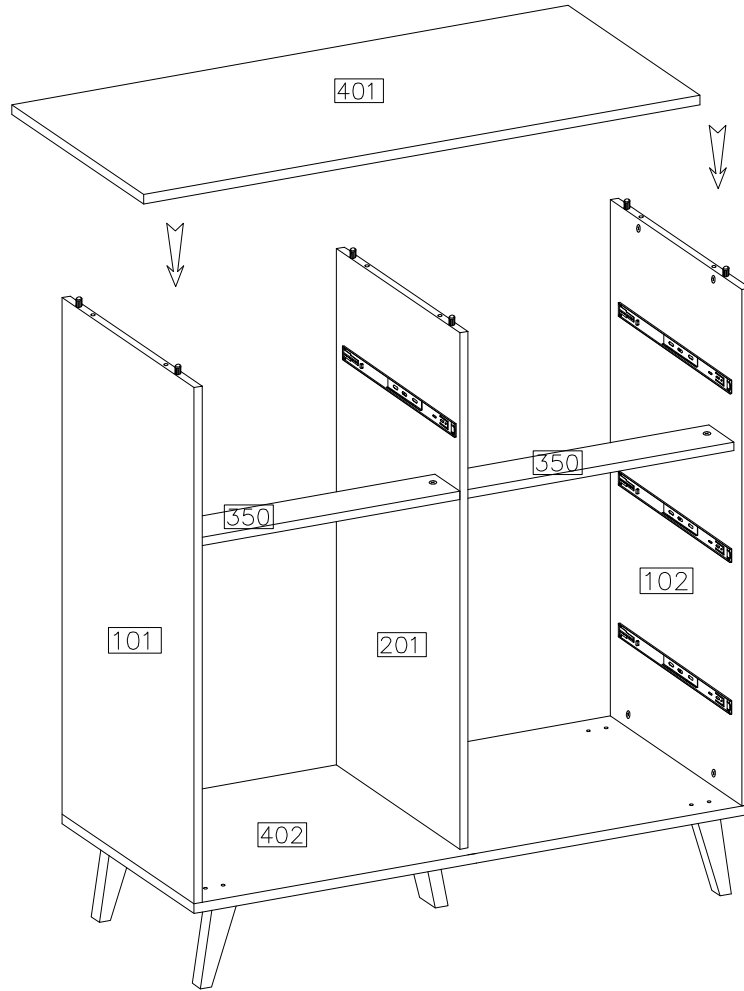
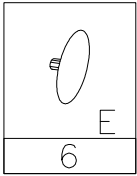


6

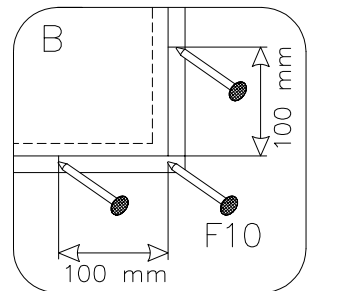
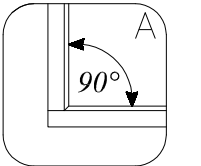
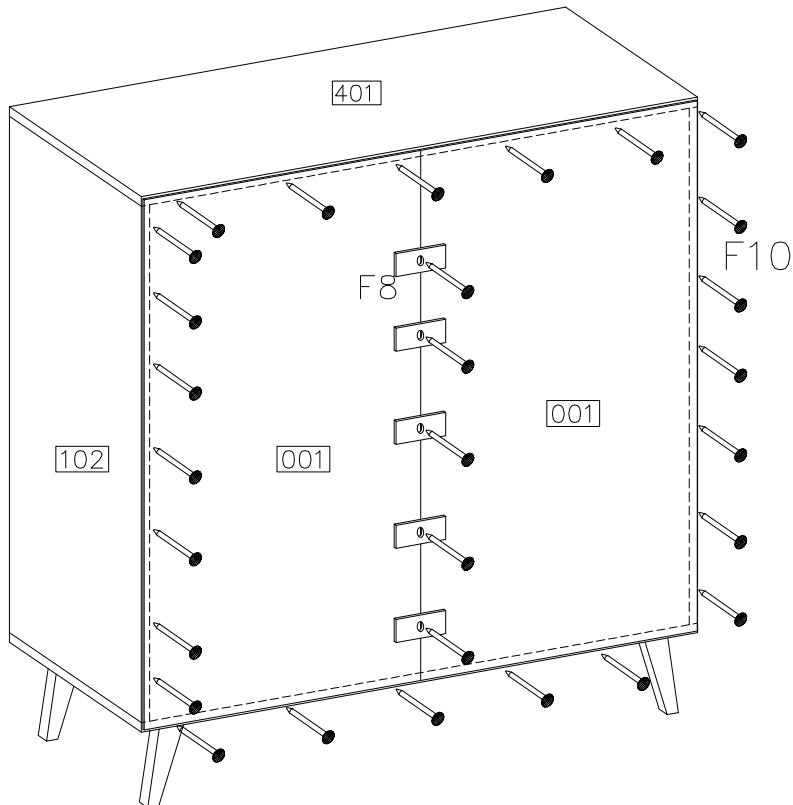
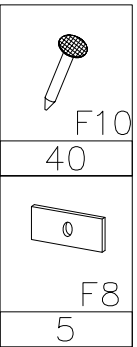
 E 10



7



8



9

ø8x30mm



A

32

4x



011

10



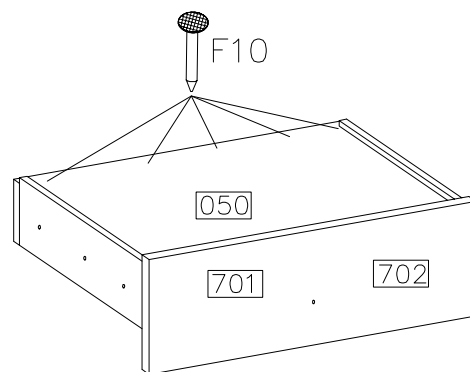
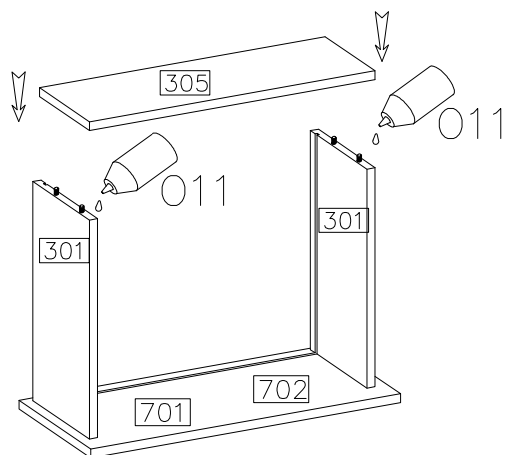
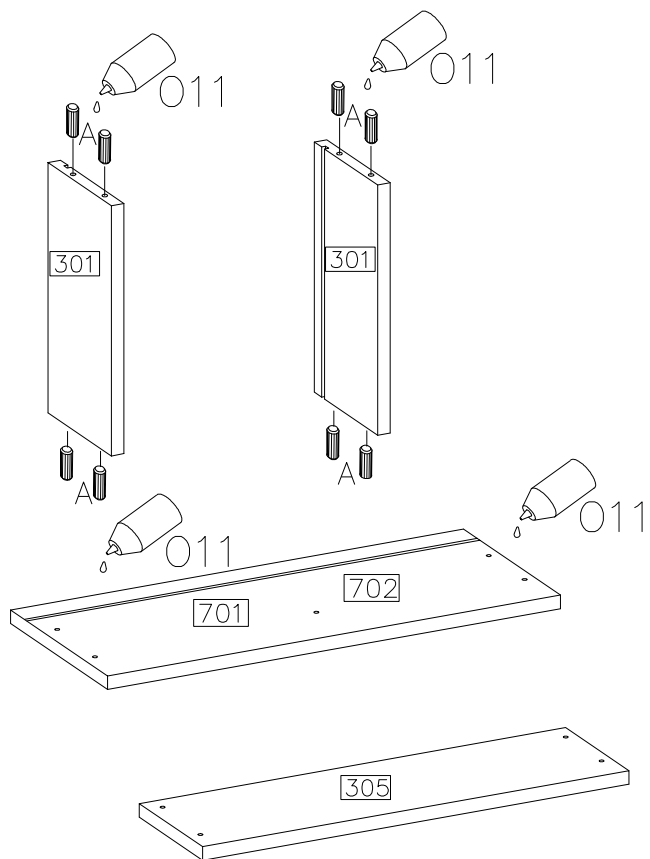
F10

20

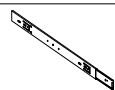
4x



011



11



I4

4SZT

ø4.0x16mm



P1

24



S1

4

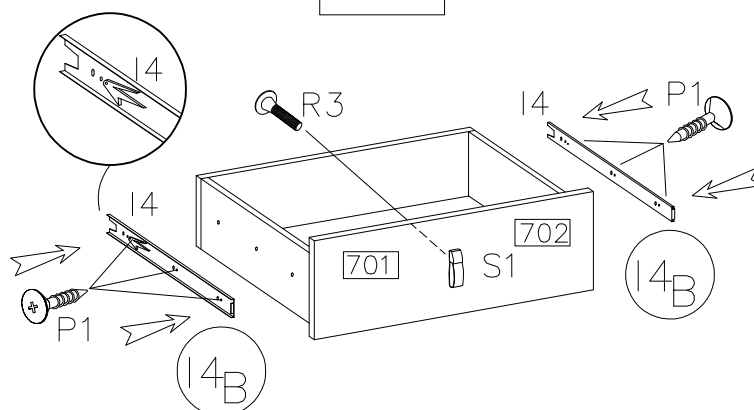
M4.0x23mm



R3

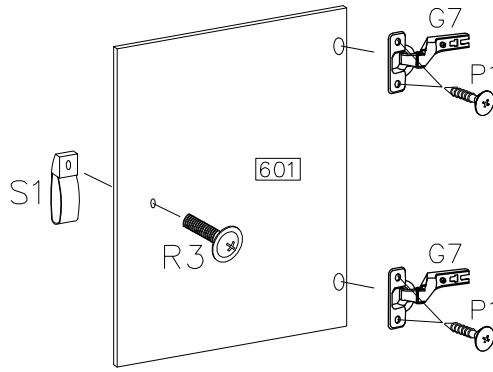
4

4x



12

4.0x16mm P1 4	ø35/KR-15 G7 2
S1 1	M4.0x23mm R3 1



13

