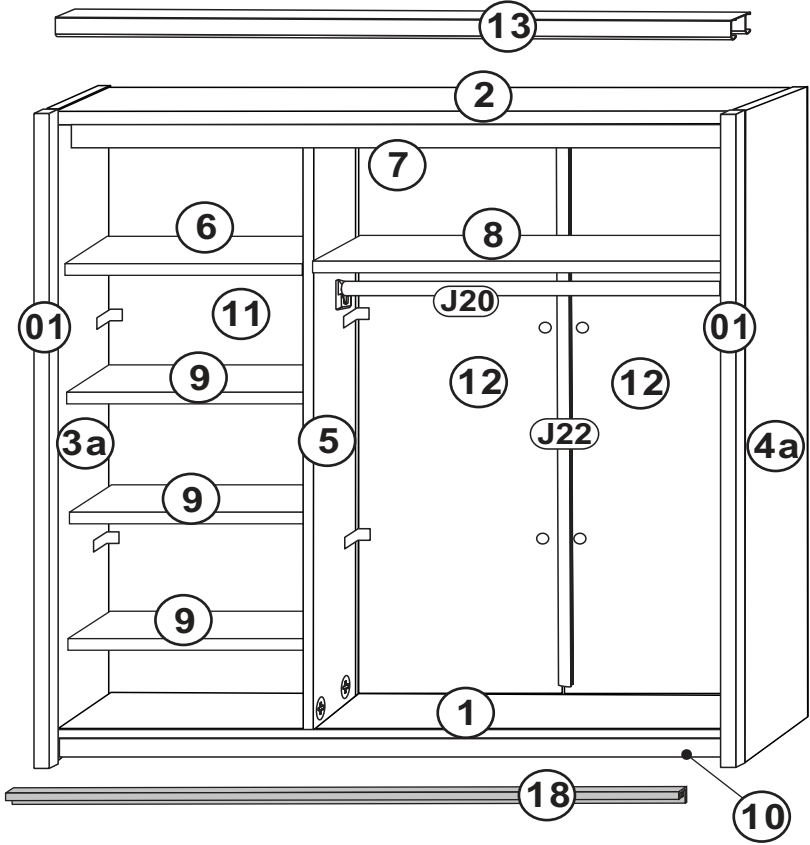
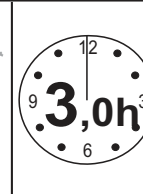
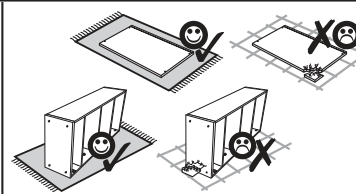
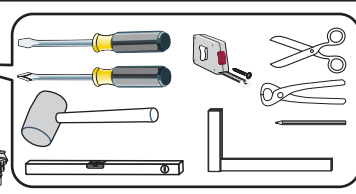
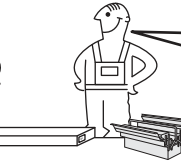
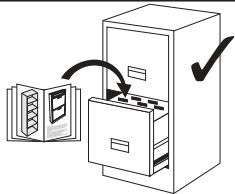
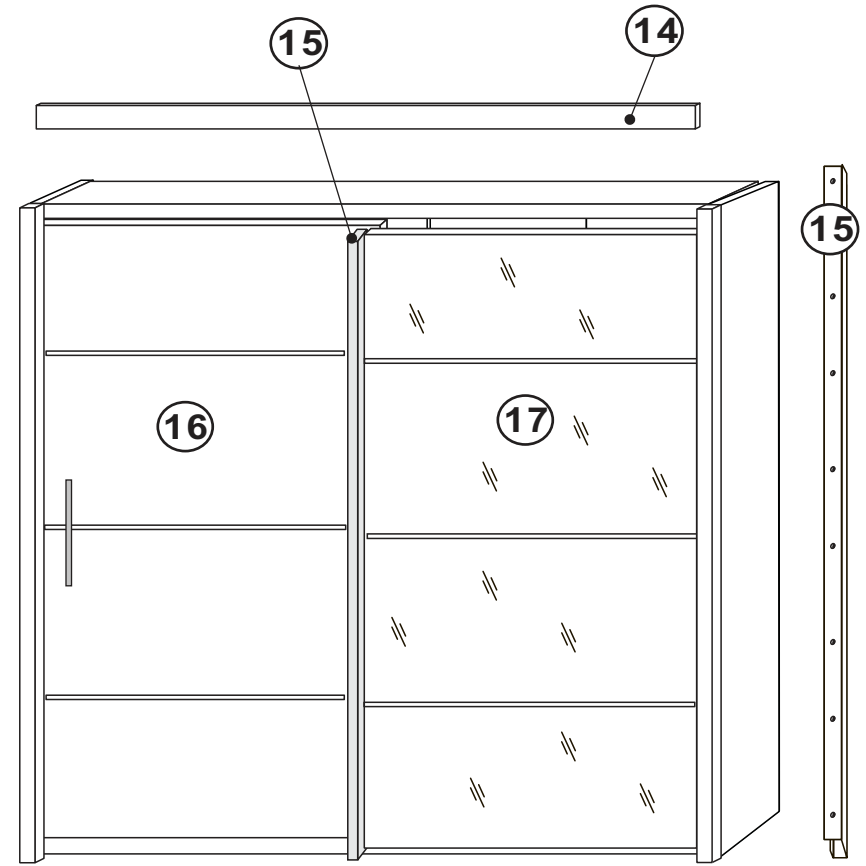
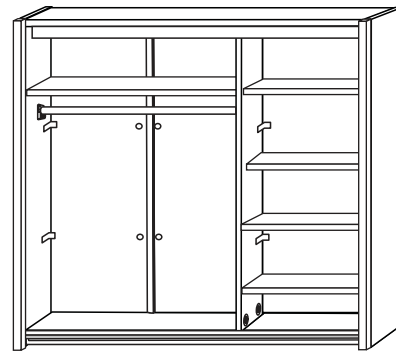


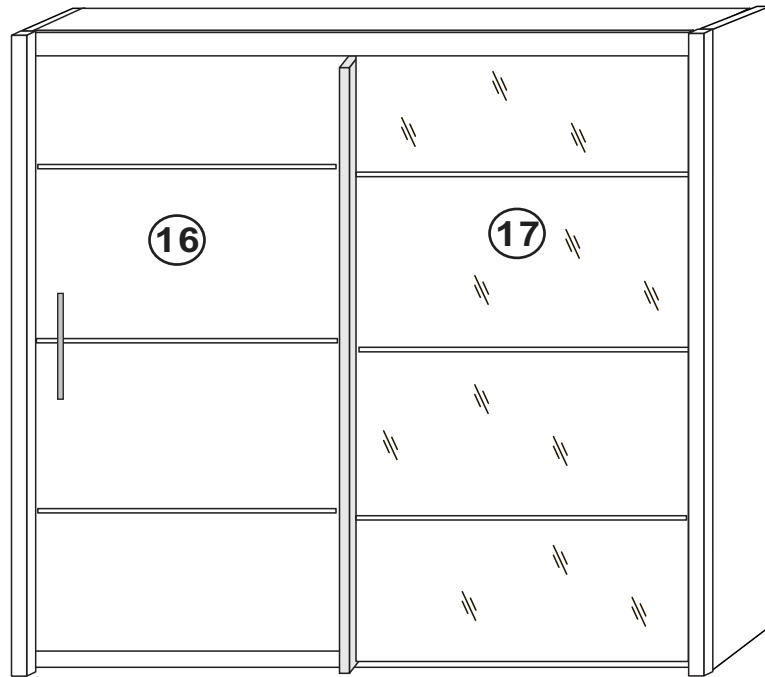
Option "a"



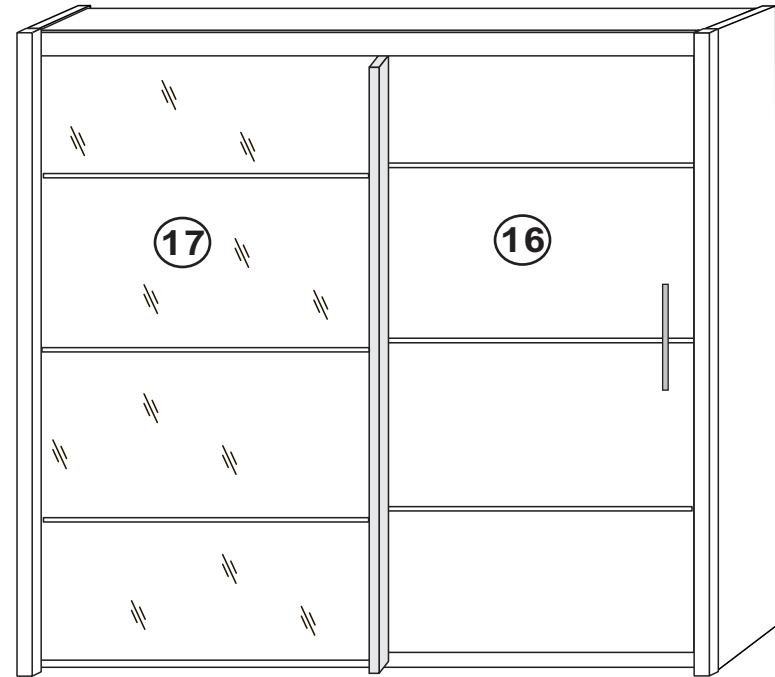
option "b"

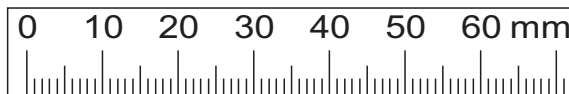
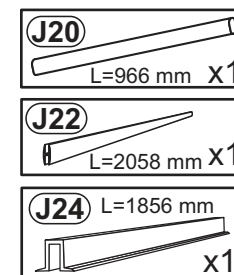
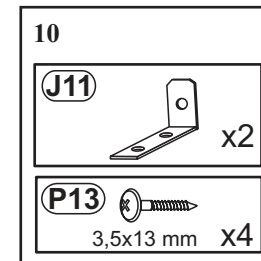
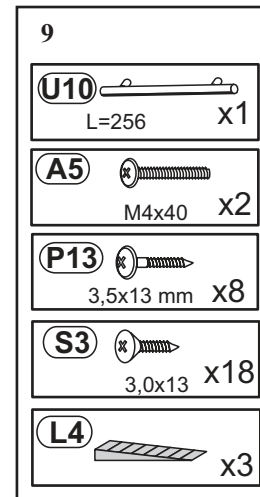
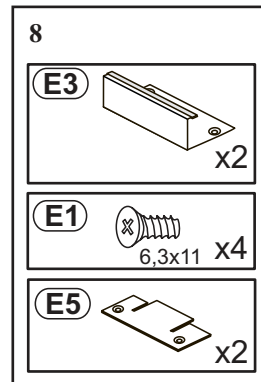
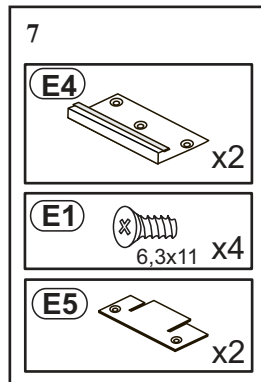
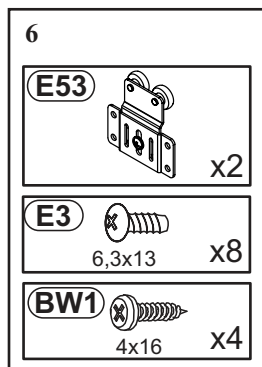
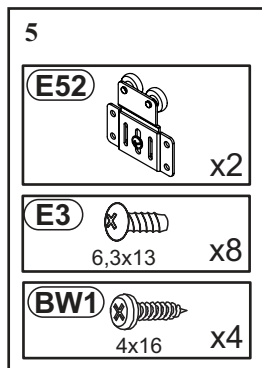
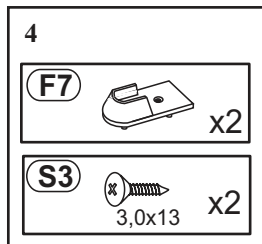
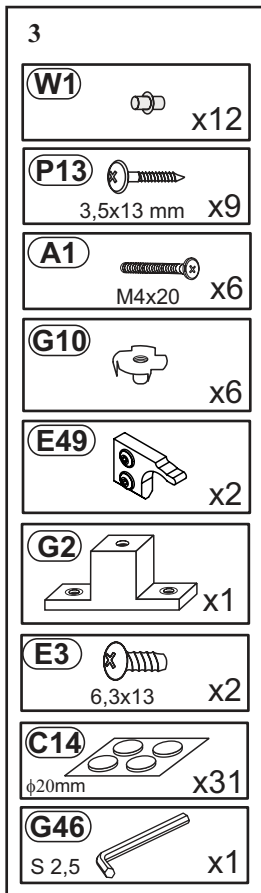
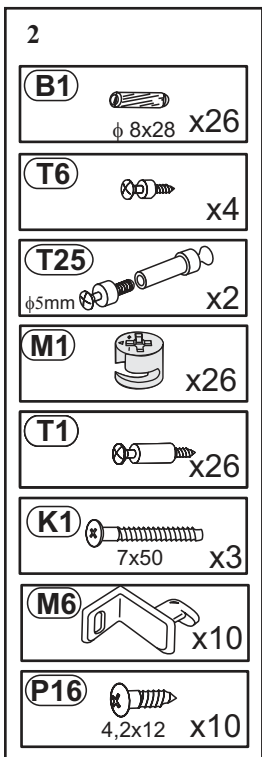
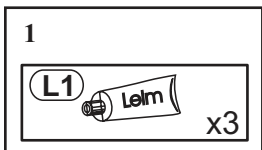


option "c"



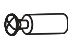


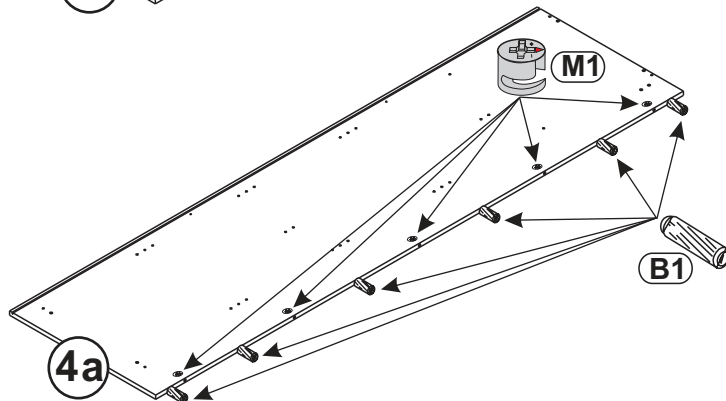
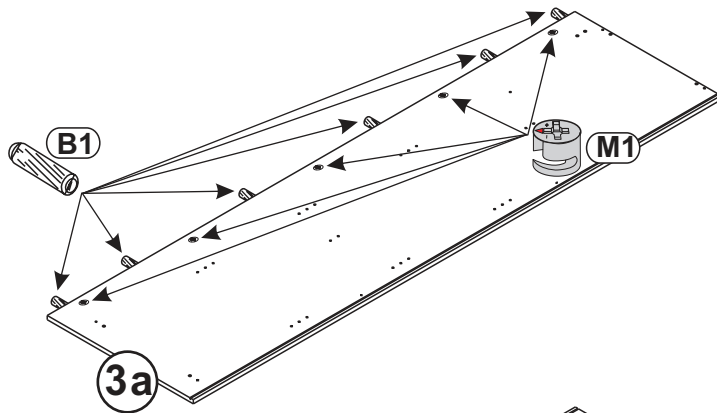
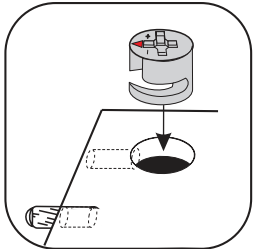
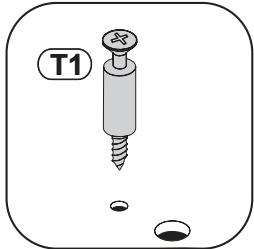
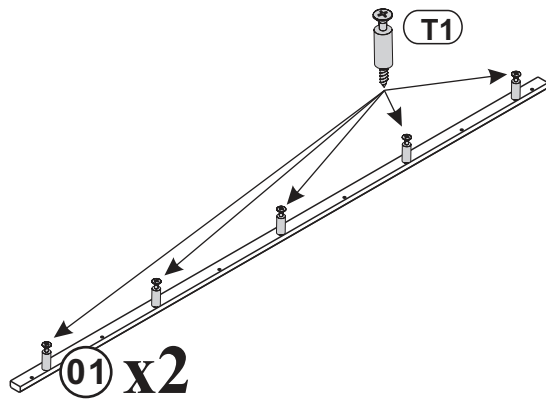
option "d"






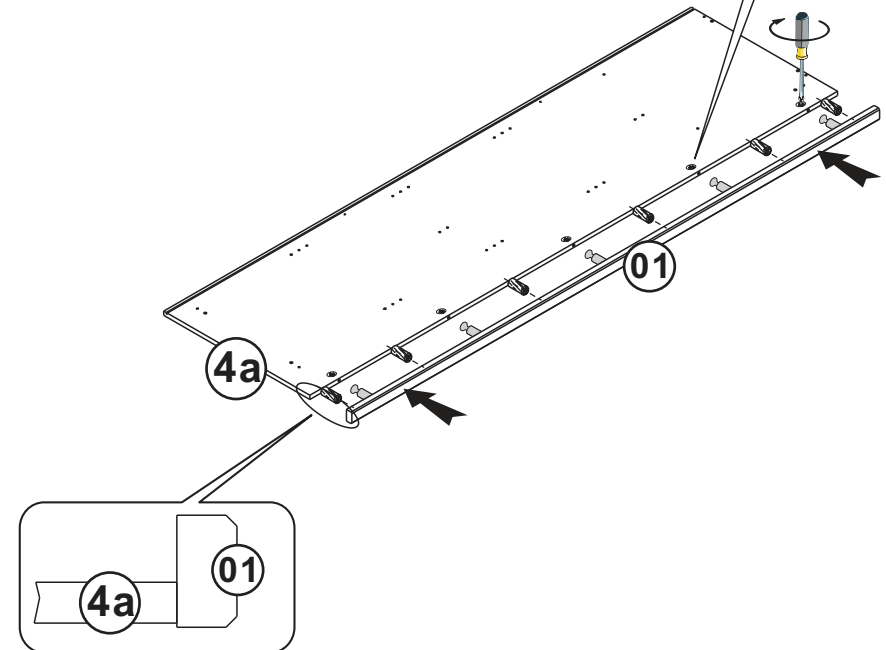
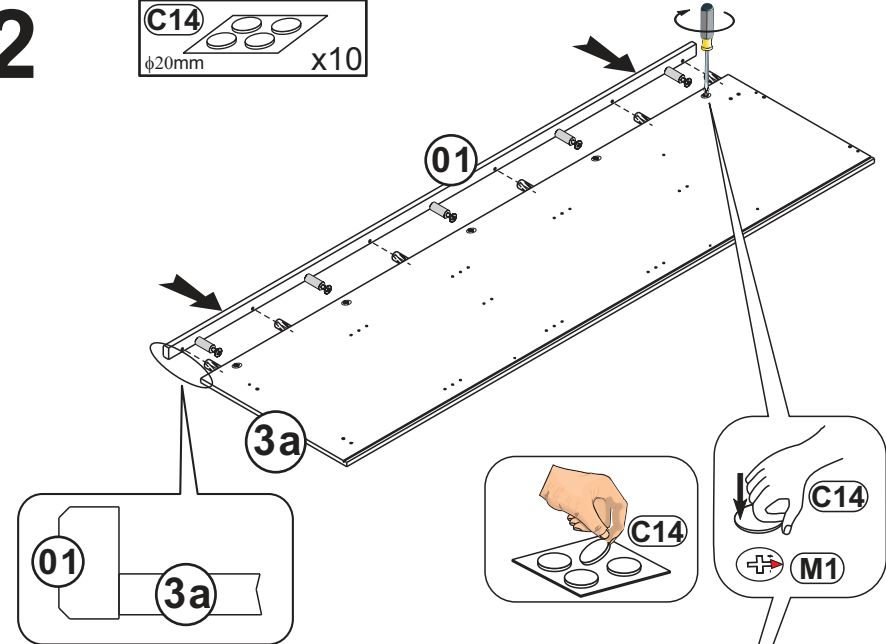
# 1

- B1**   $\phi 8 \times 28$  x12
- M1**  x10
- T1**  x10




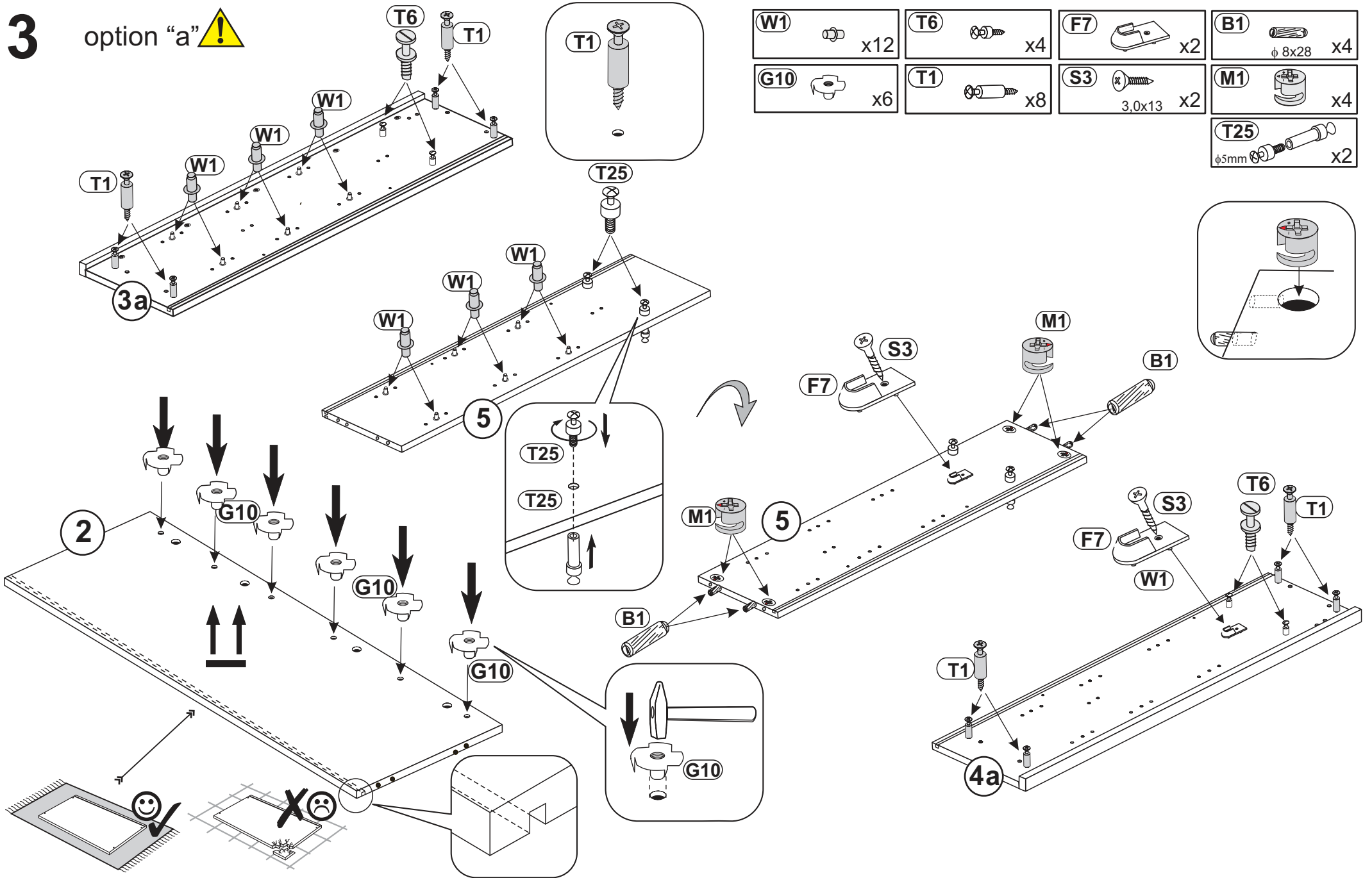
# 2

- C14**   $\phi 20$ mm x10


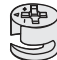
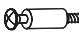




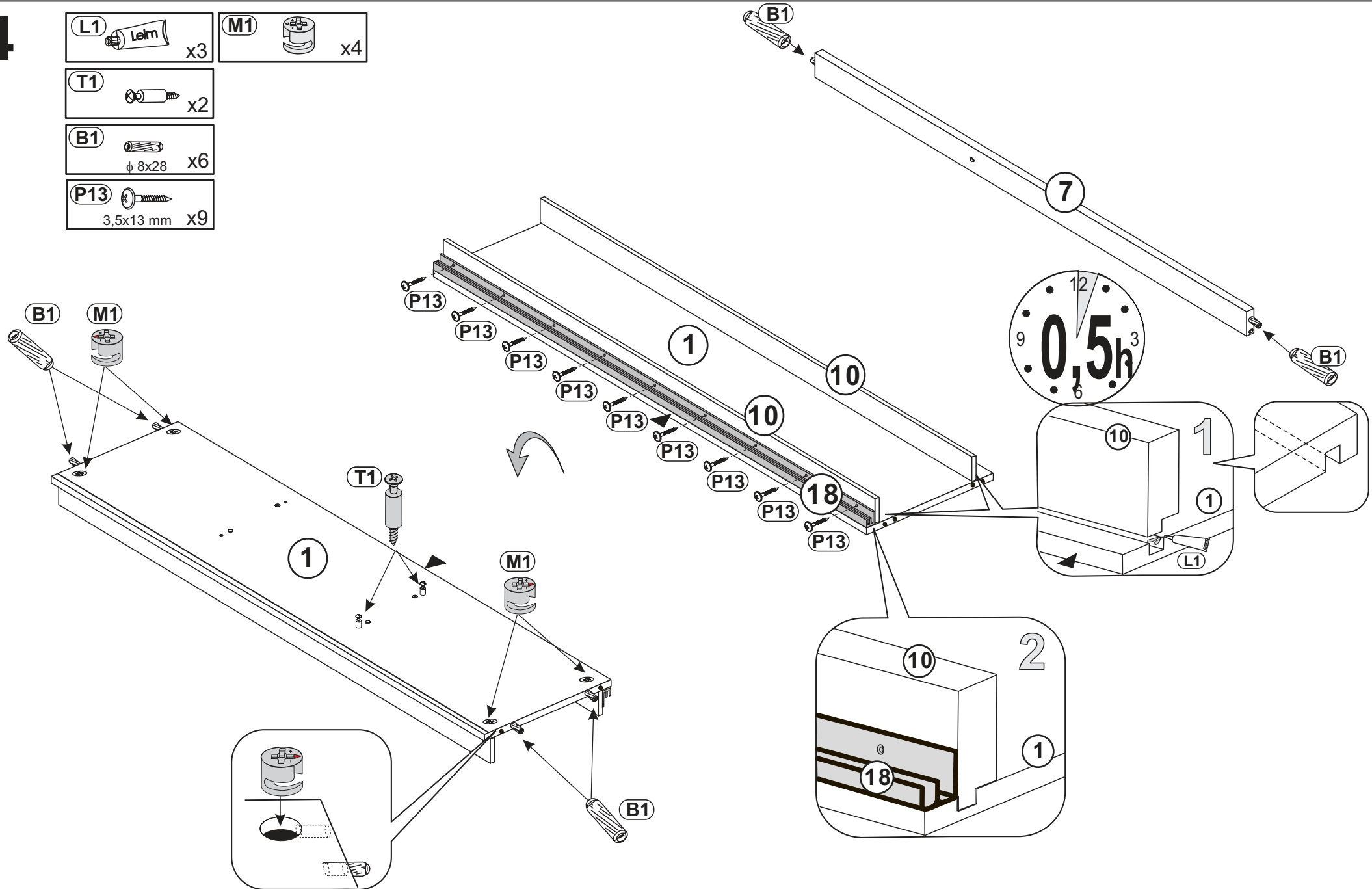
## 3

option "a" 

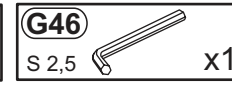
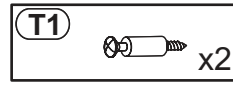
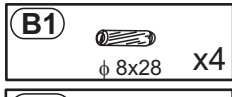
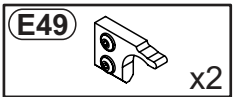


# 4

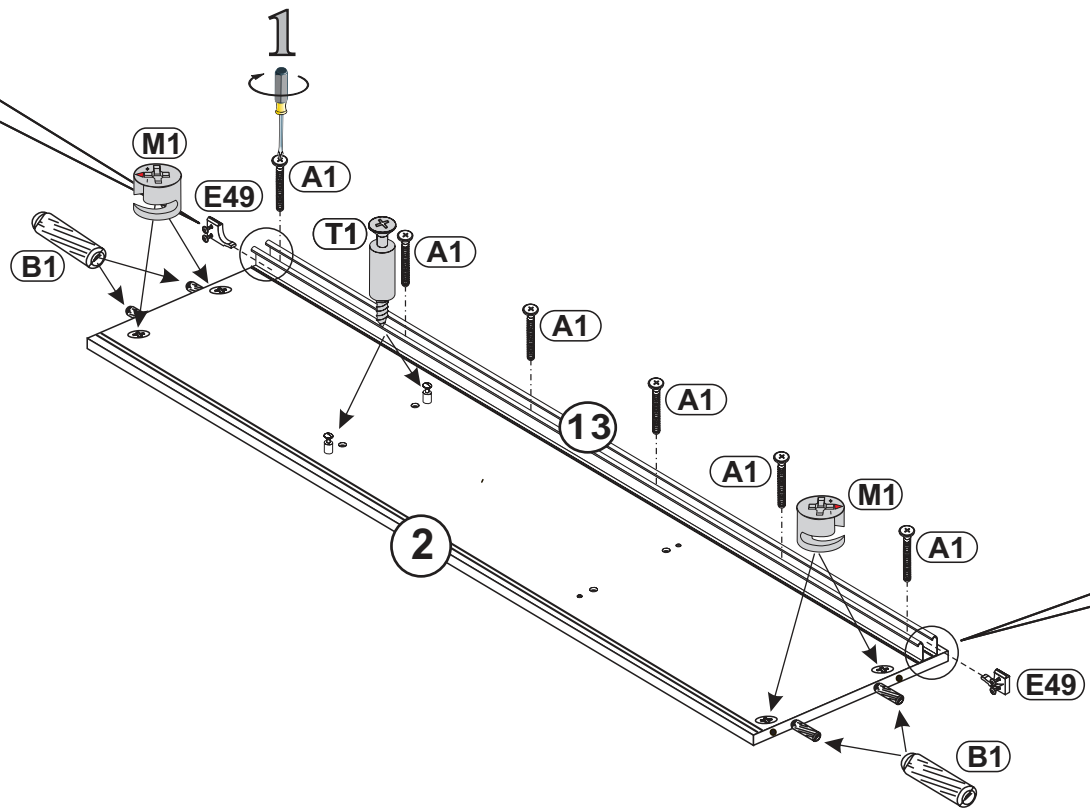
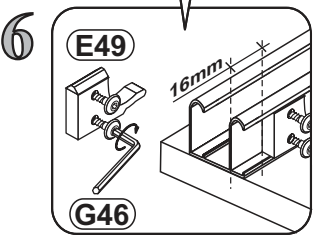
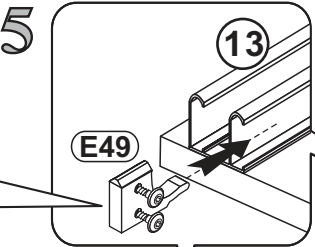
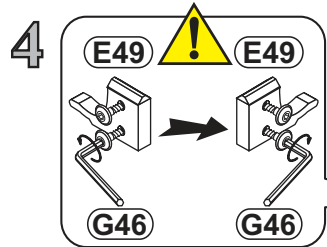
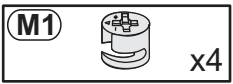
- L1**  x3
- M1**  x4
- T1**  x2
- B1**   $\phi$  8x28 x6
- P13**  3,5x13 mm x9



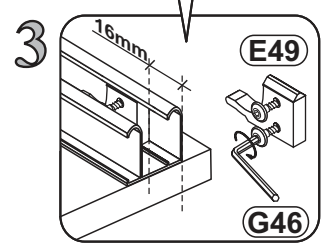
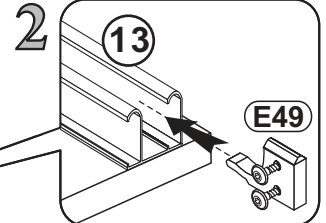
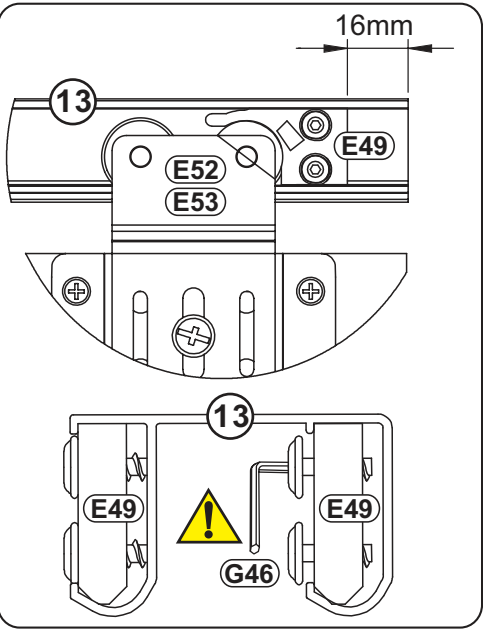
## 5a



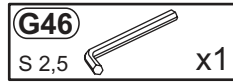
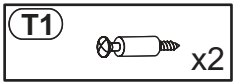
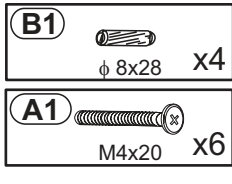
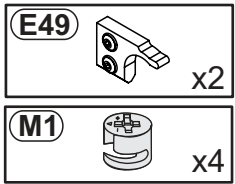
option "c"



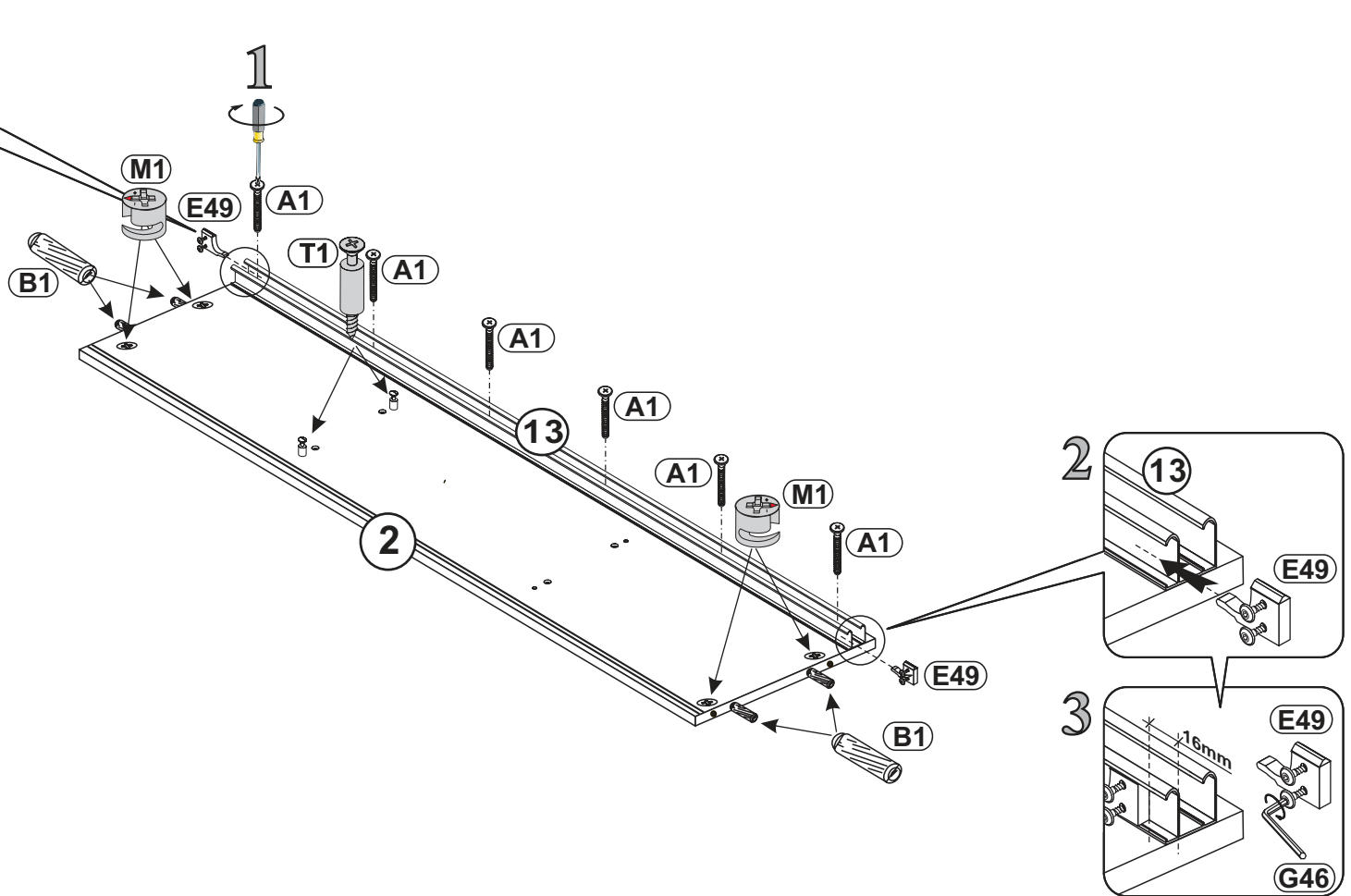
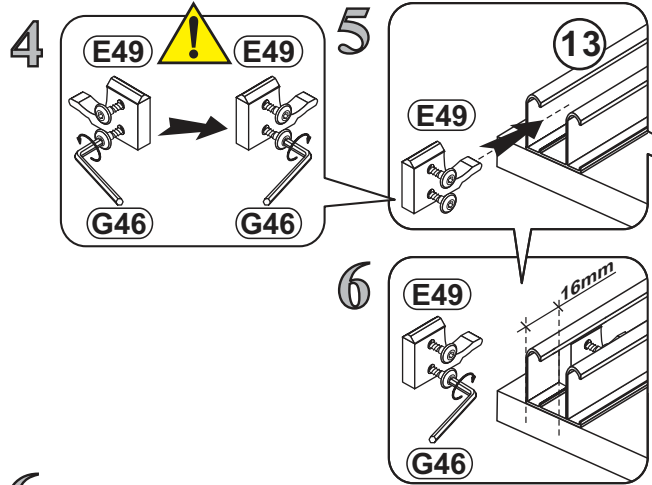
## 3a



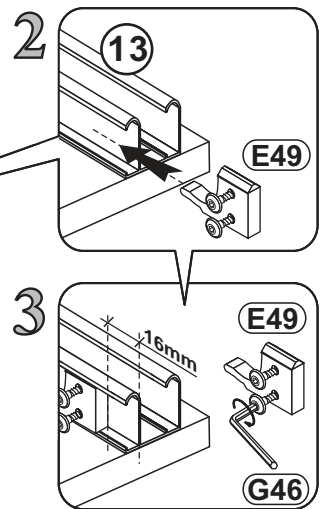
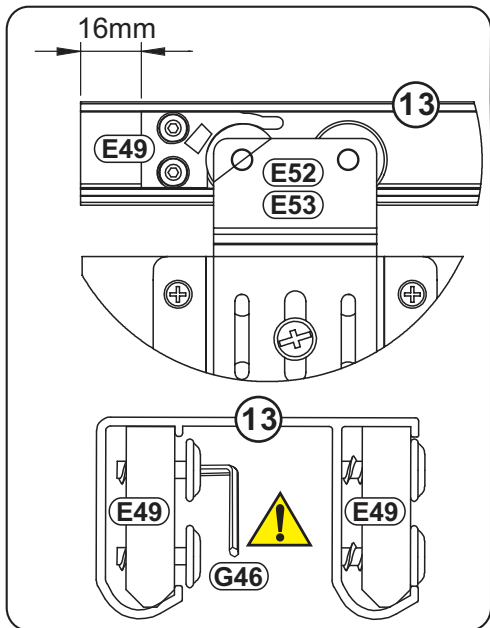
5b



option "d"




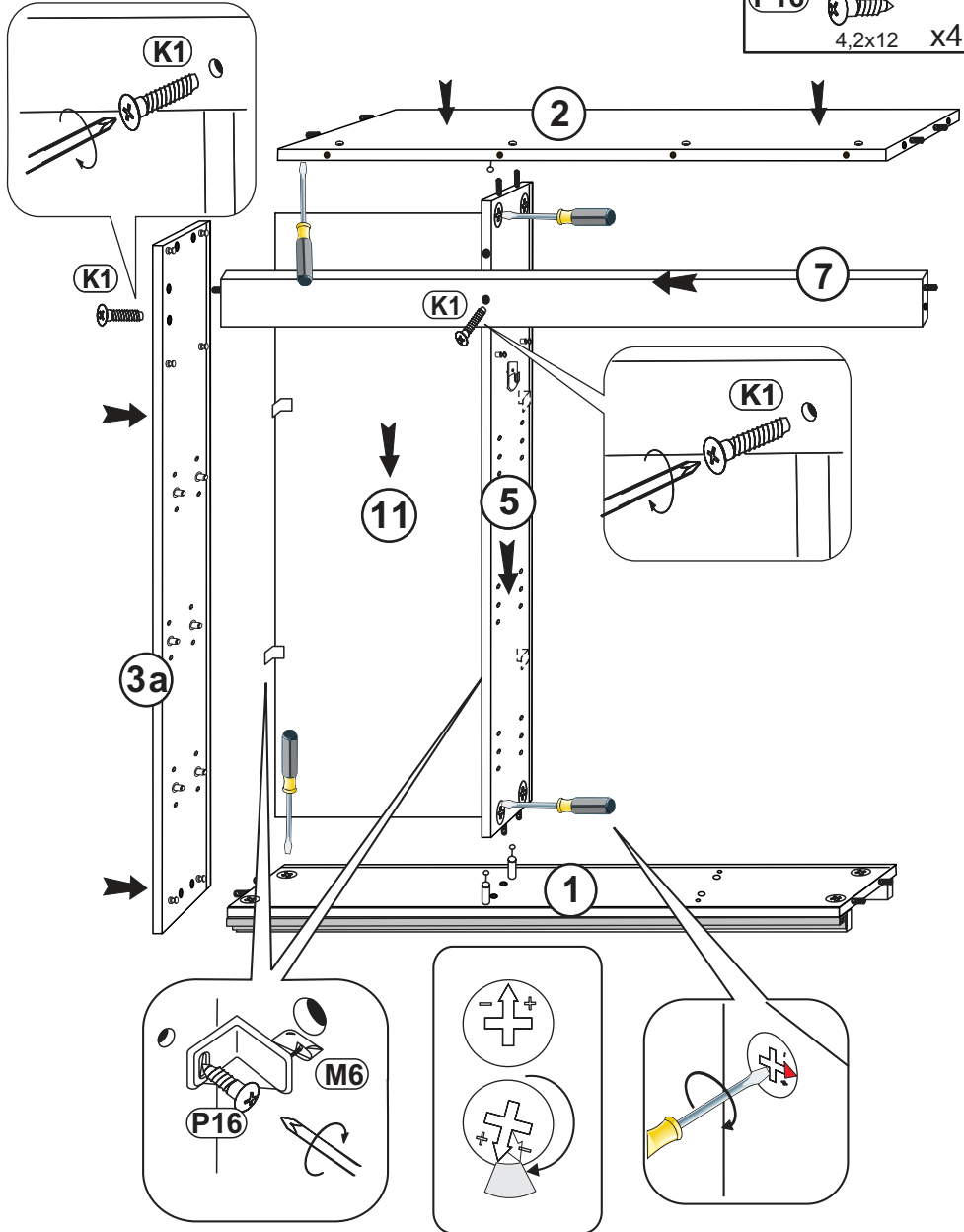
6a



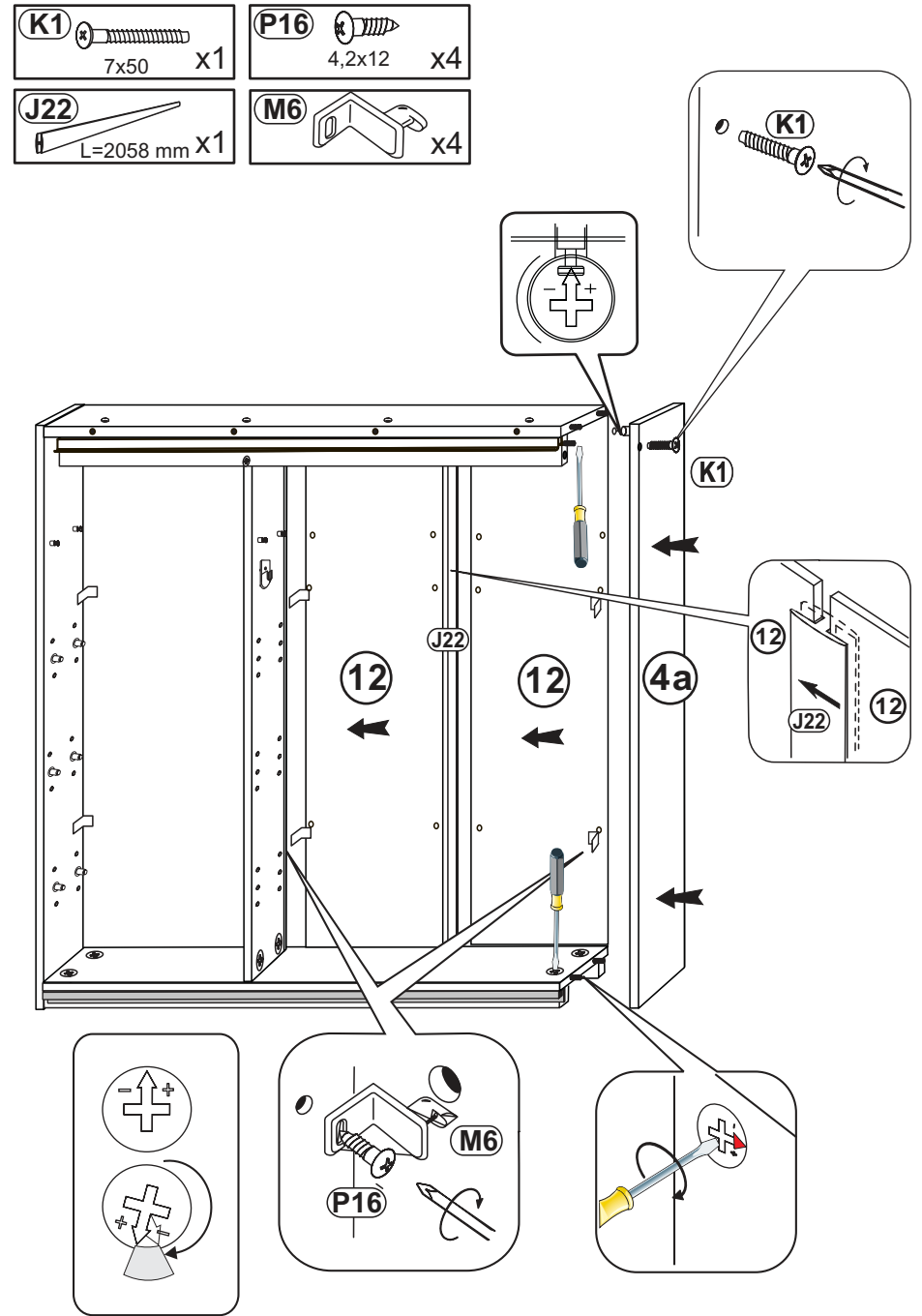


## 6

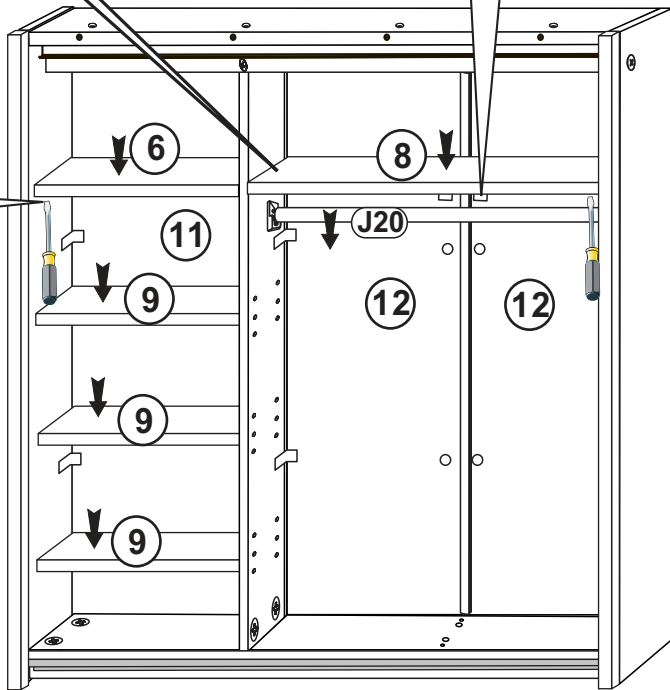
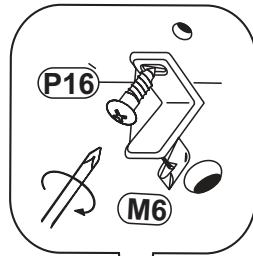
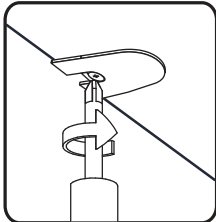
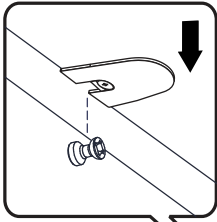
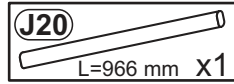
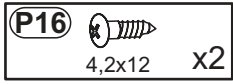
option "a" 



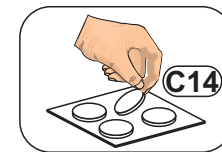
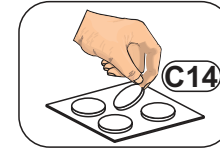
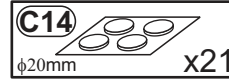
## 7



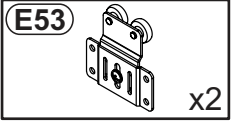
## 8



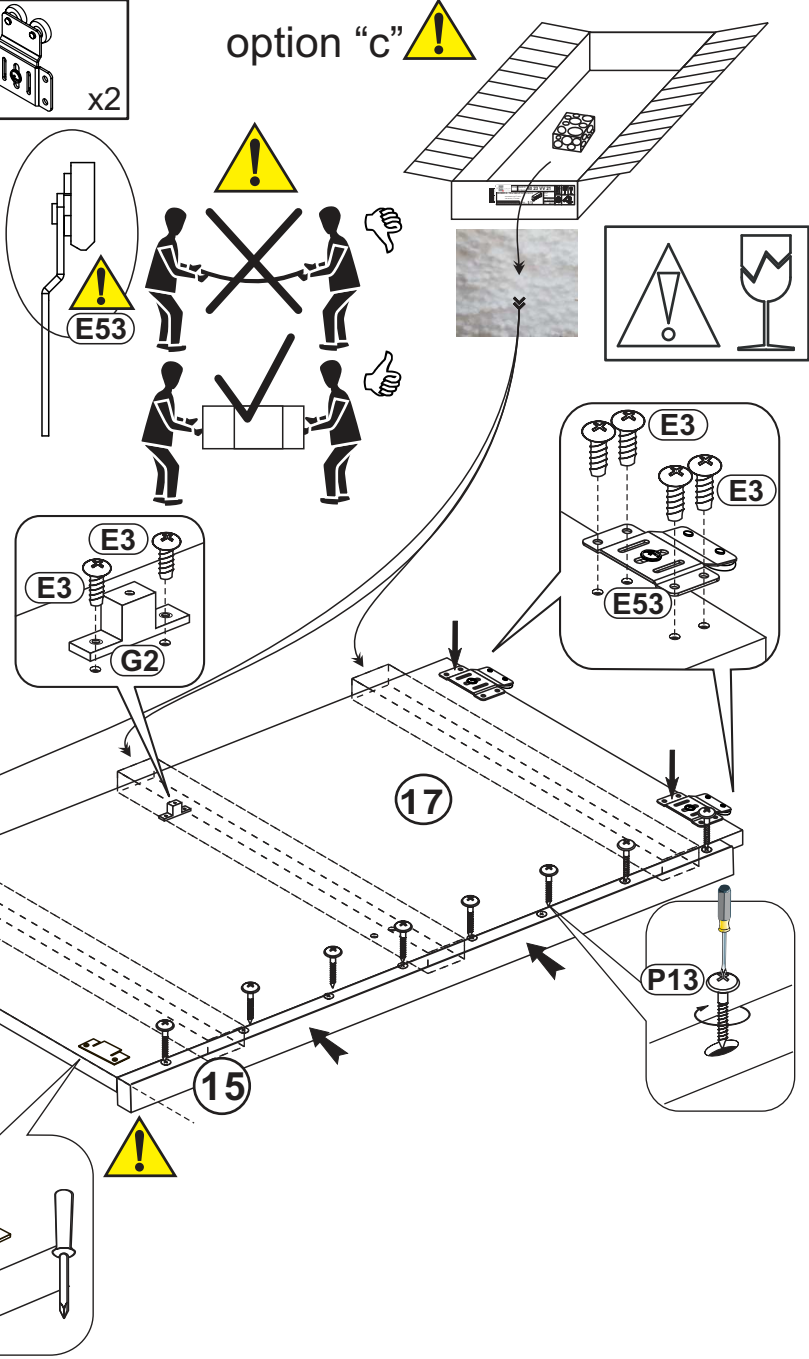
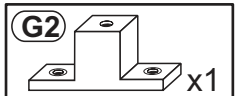
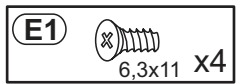
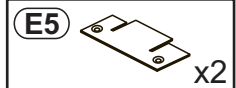
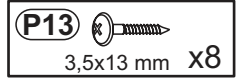
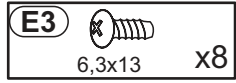
## 9



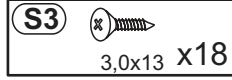
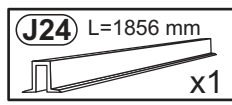
10



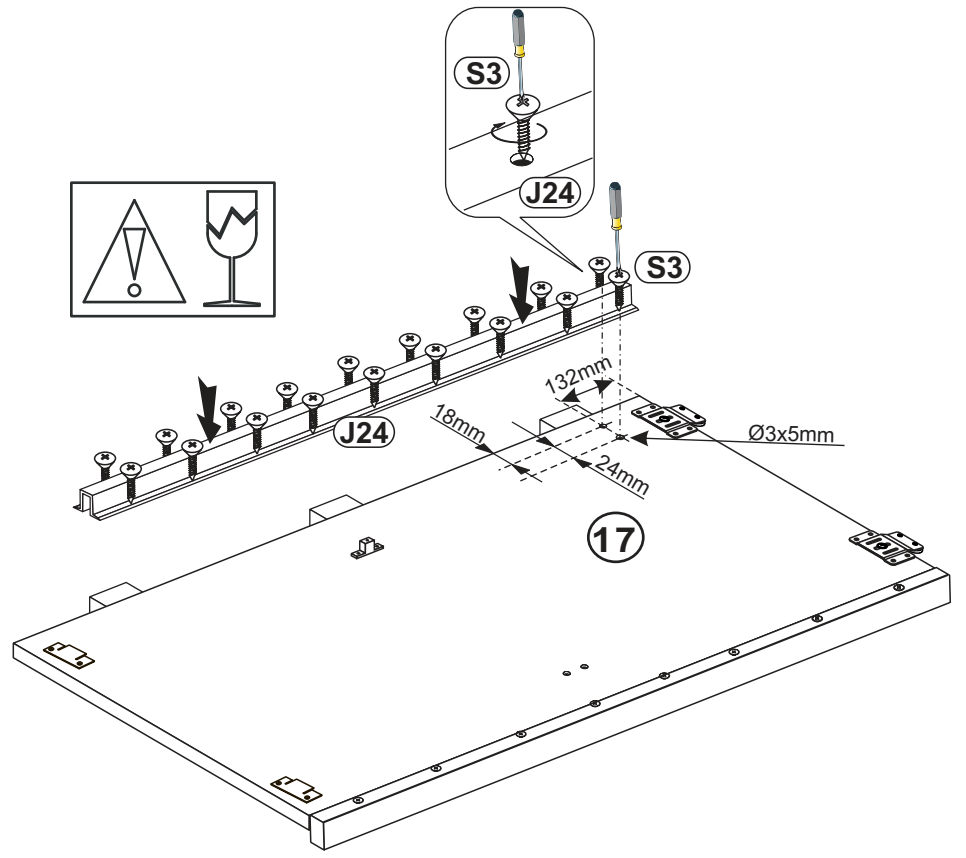
option "c" 



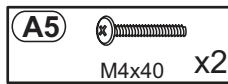
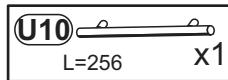
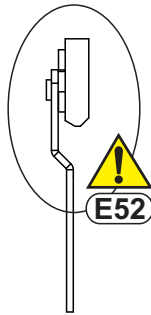
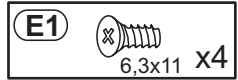
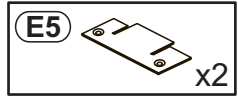
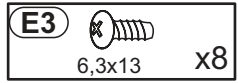
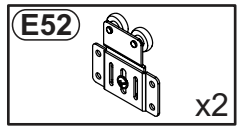
11



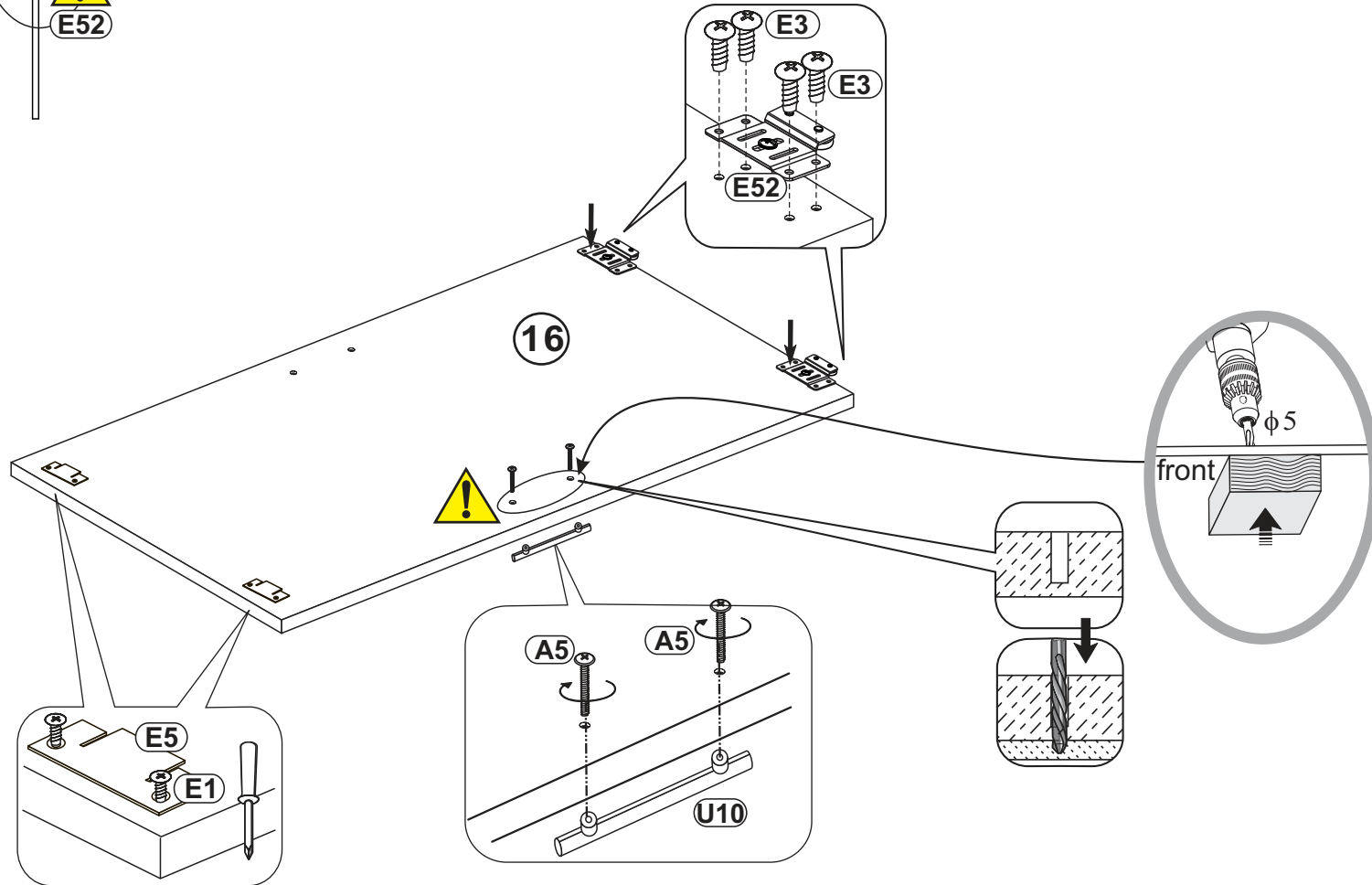
option "c" 



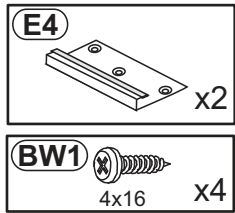
10



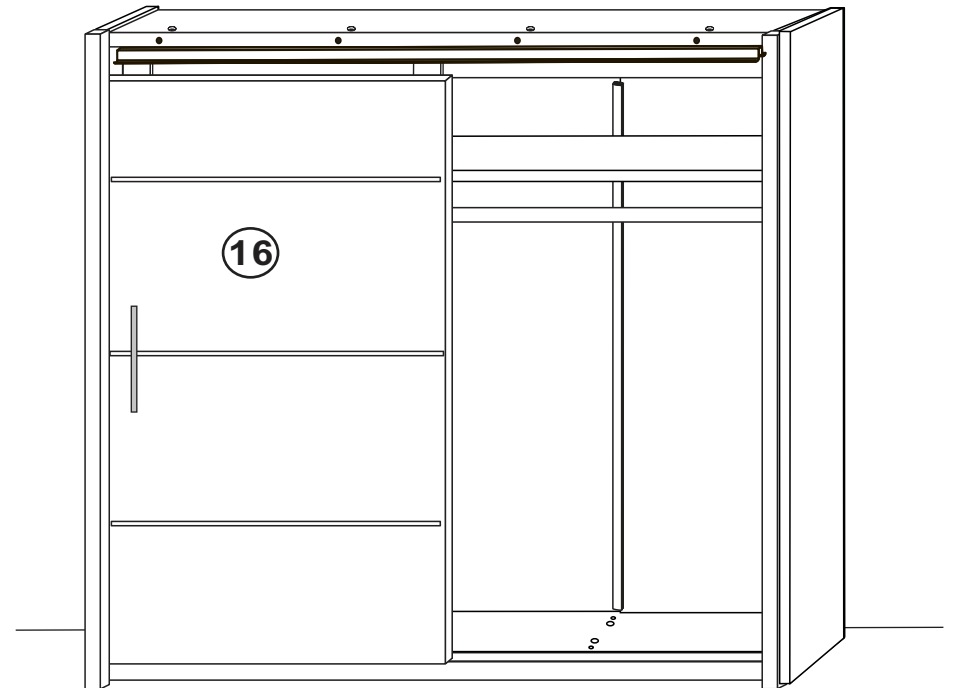
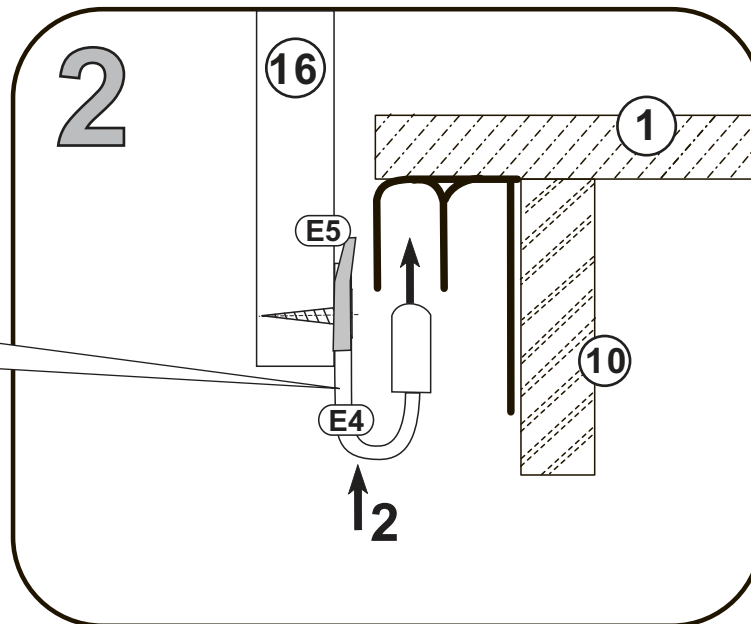
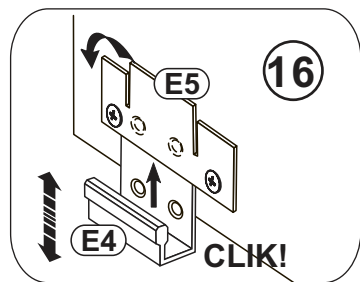
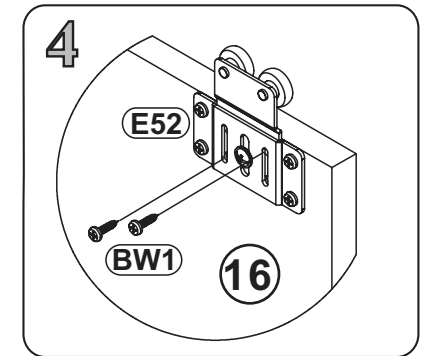
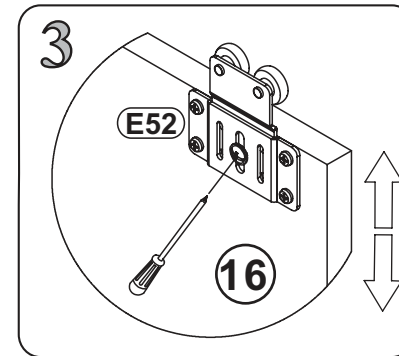
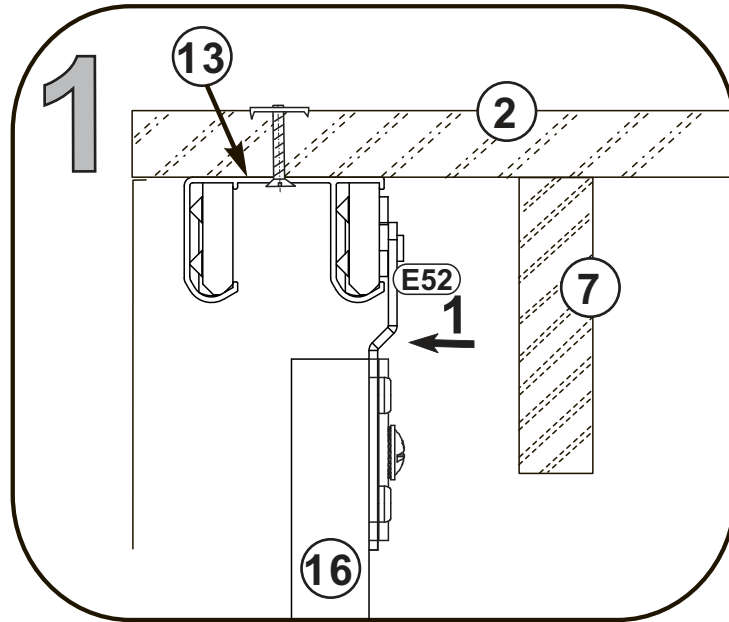
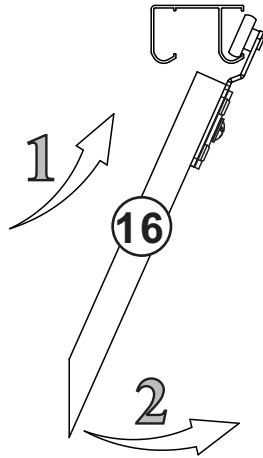
option "c"



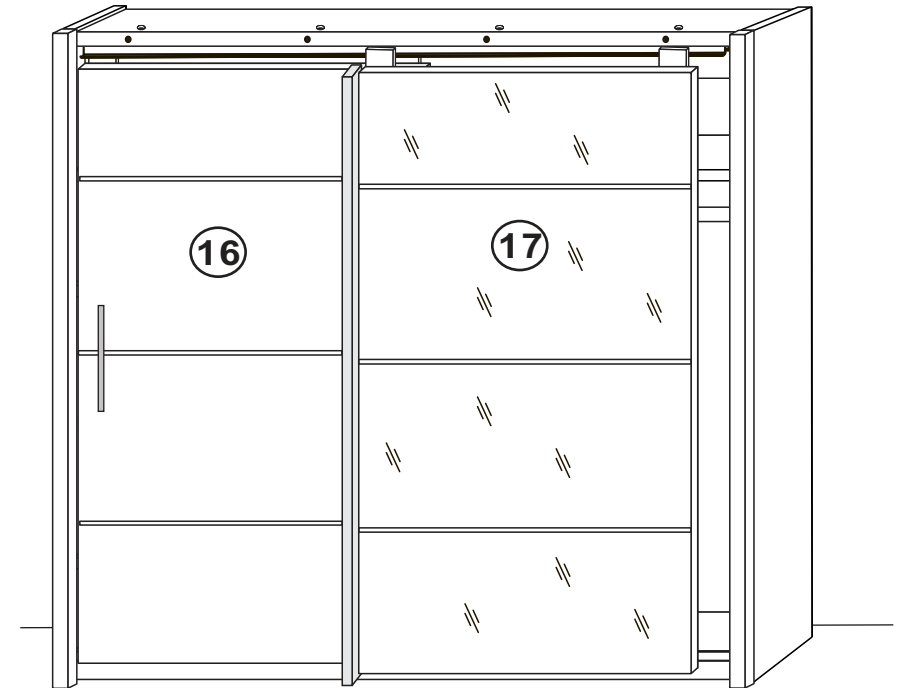
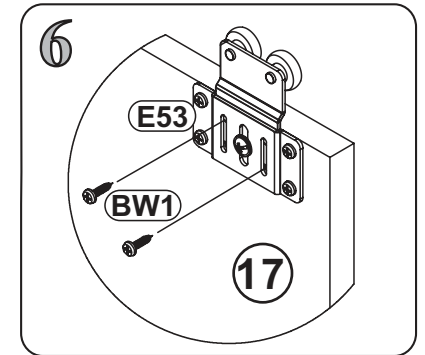
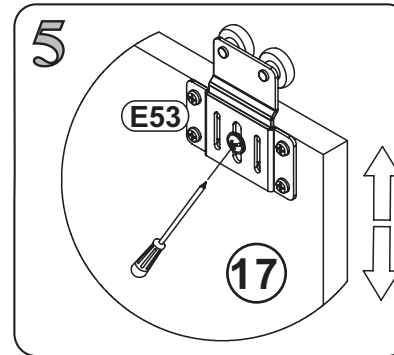
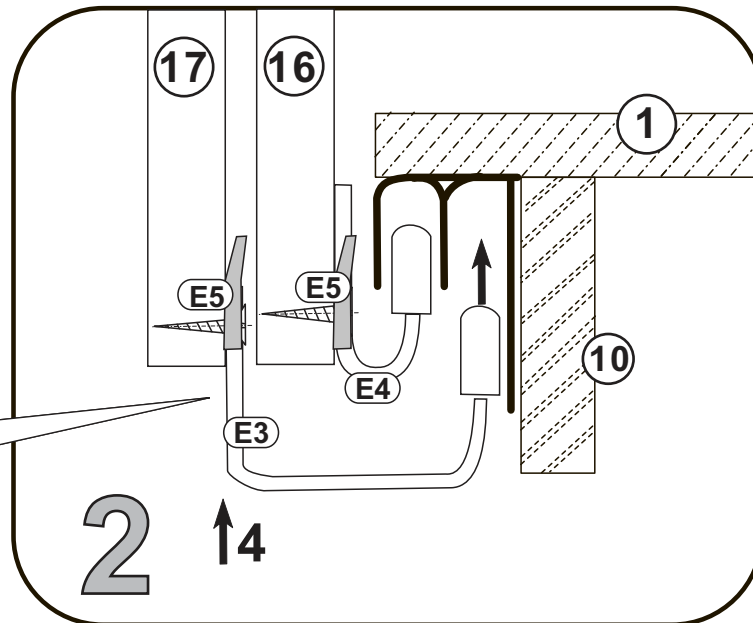
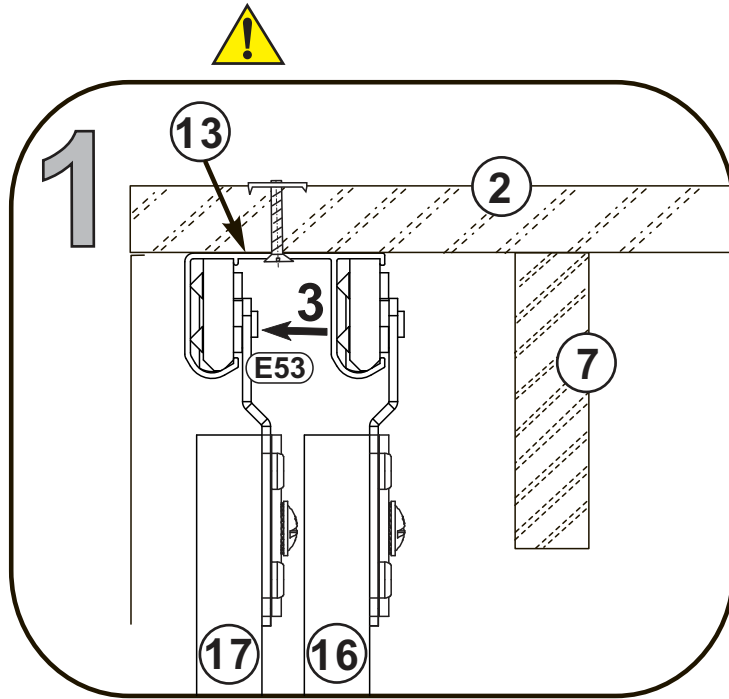
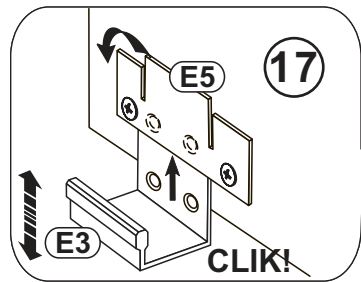
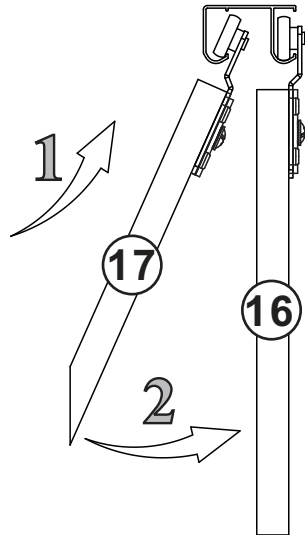
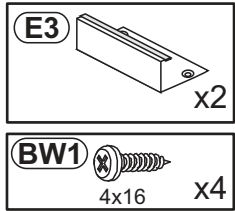
# 11



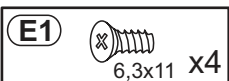
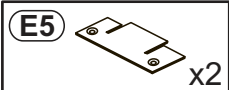
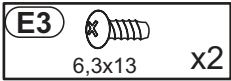
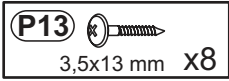
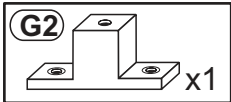
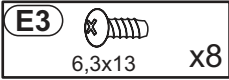
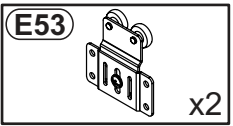
option "c" 



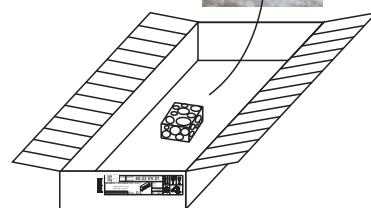
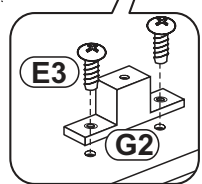
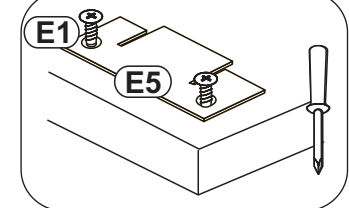
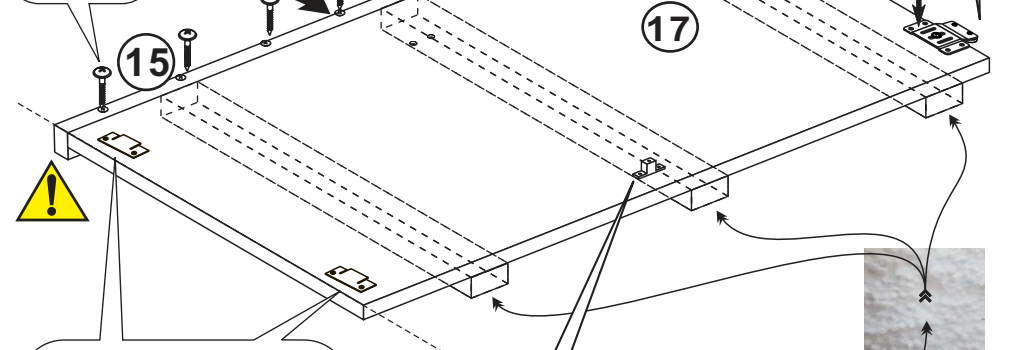
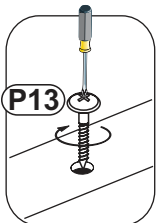
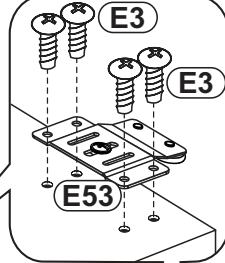
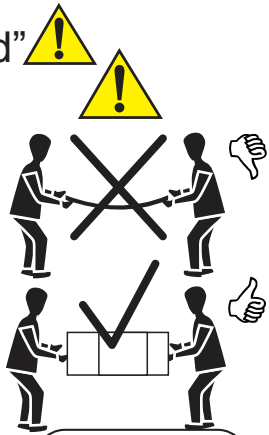
## 12



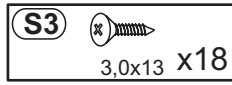
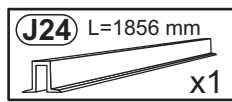
13



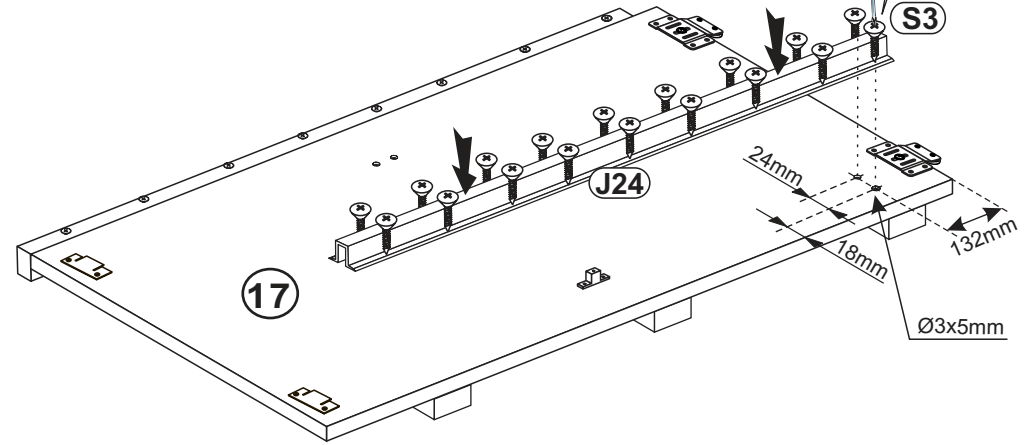
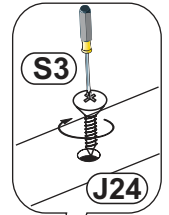
option "d"



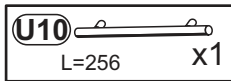
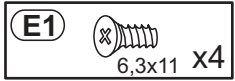
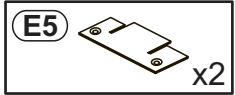
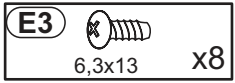
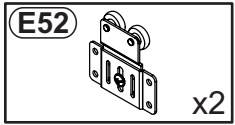
14



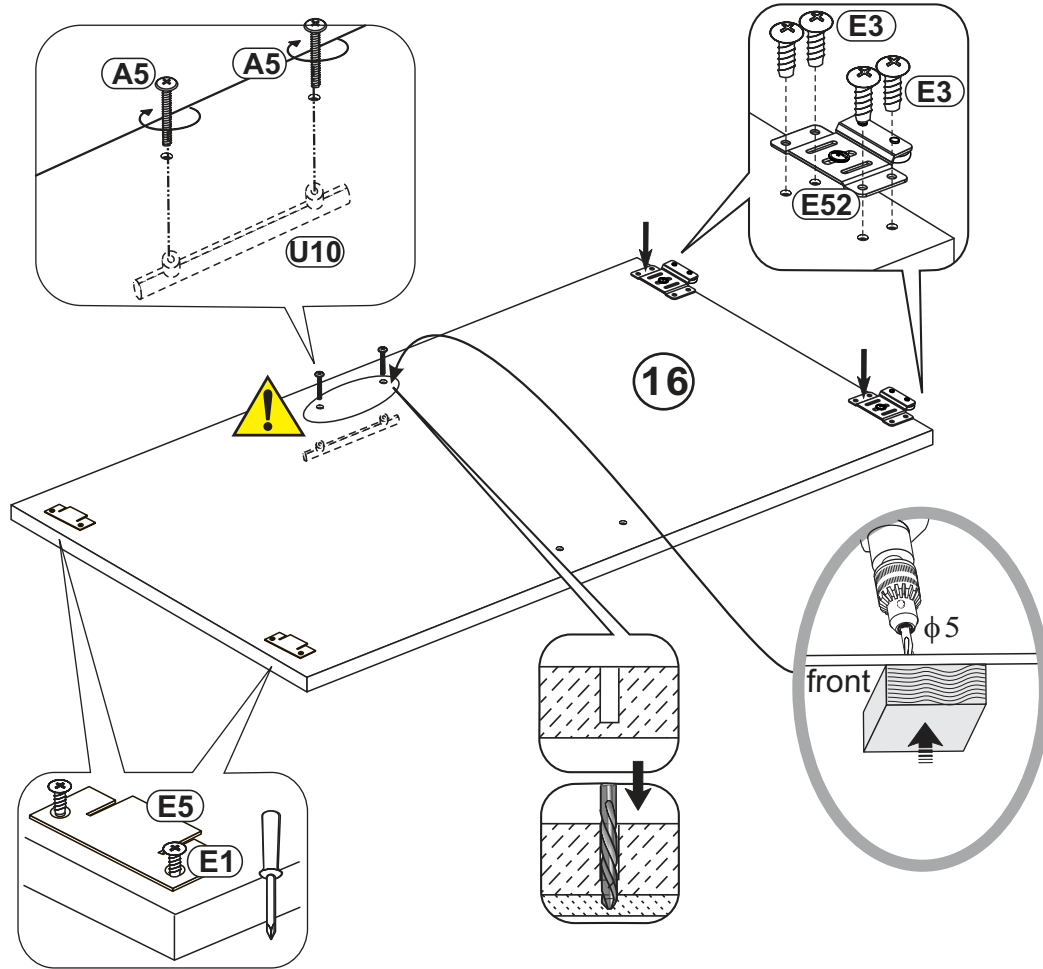
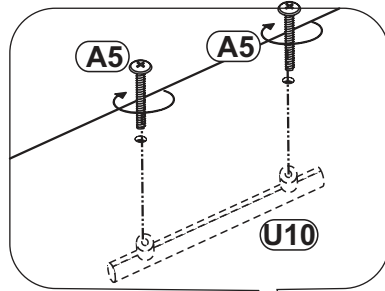
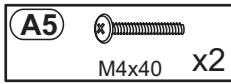
option "d"



15

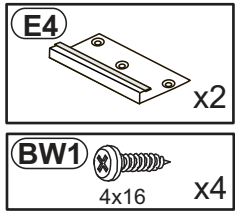


option "d"

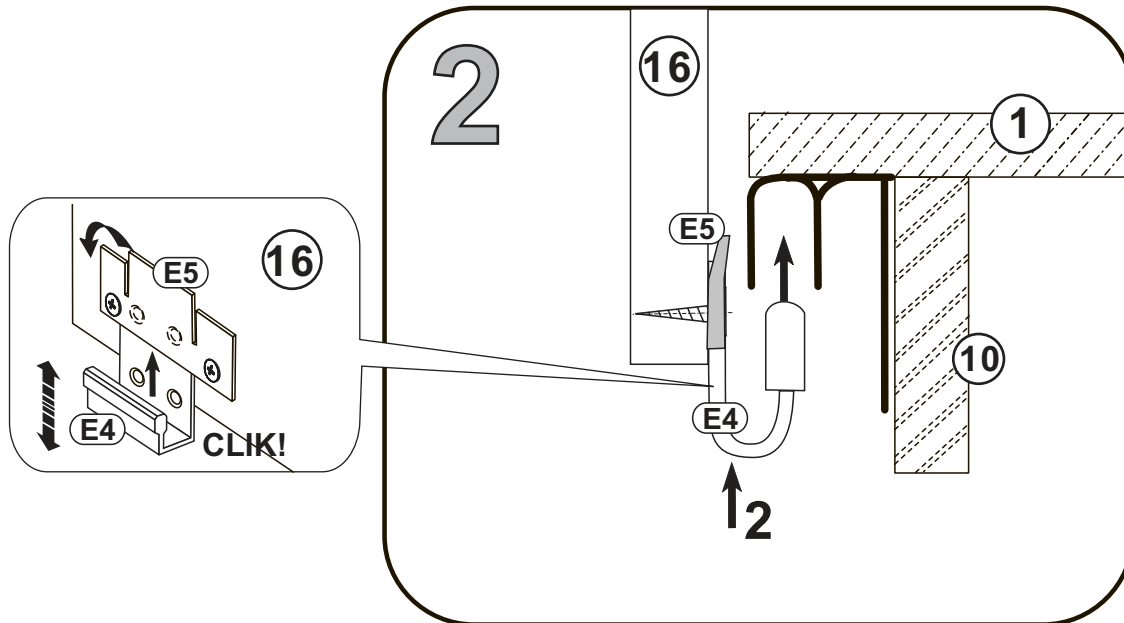
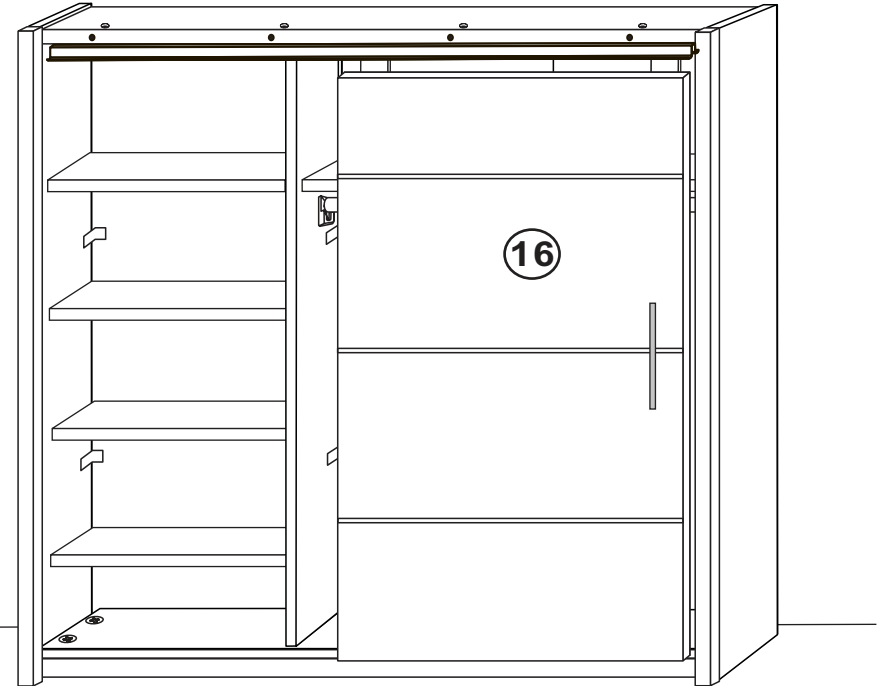
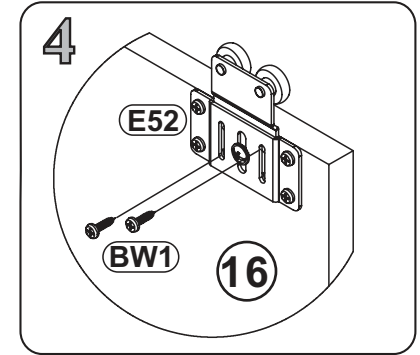
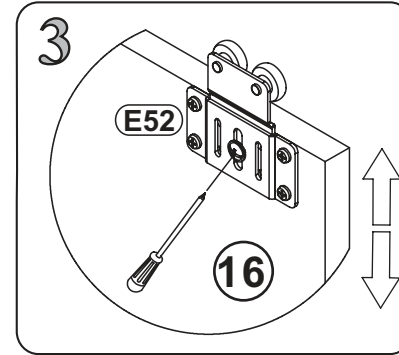
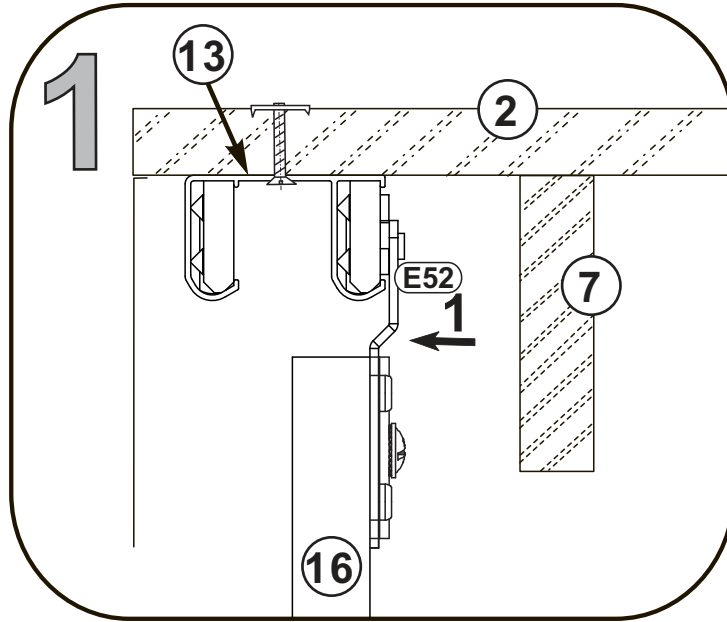
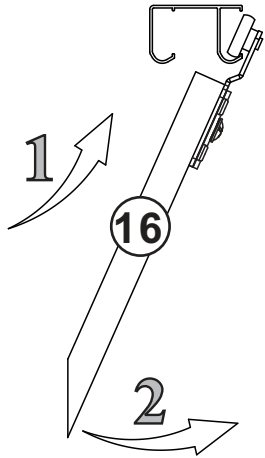




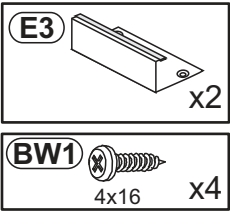
16



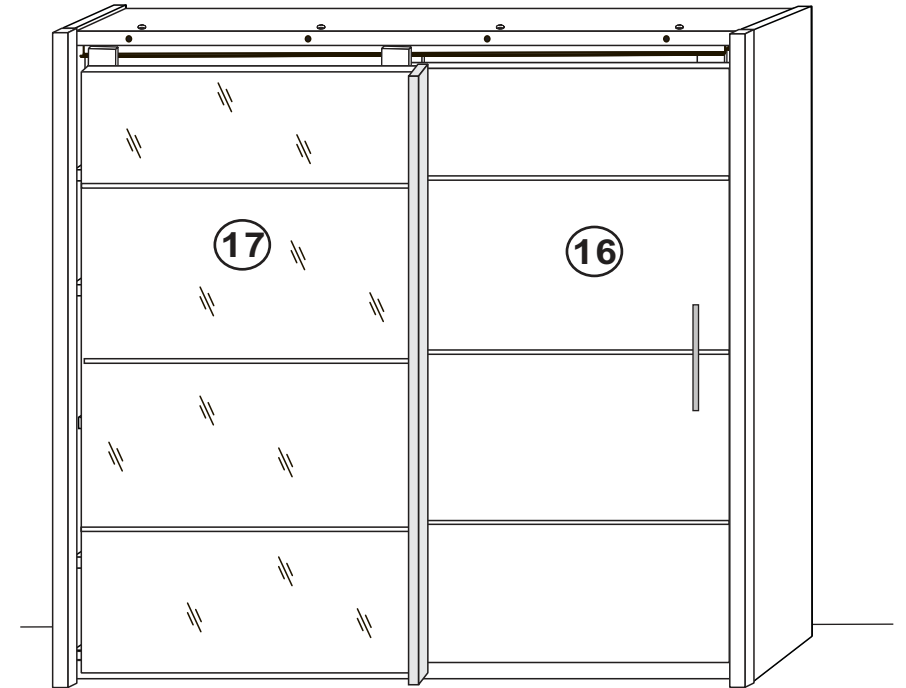
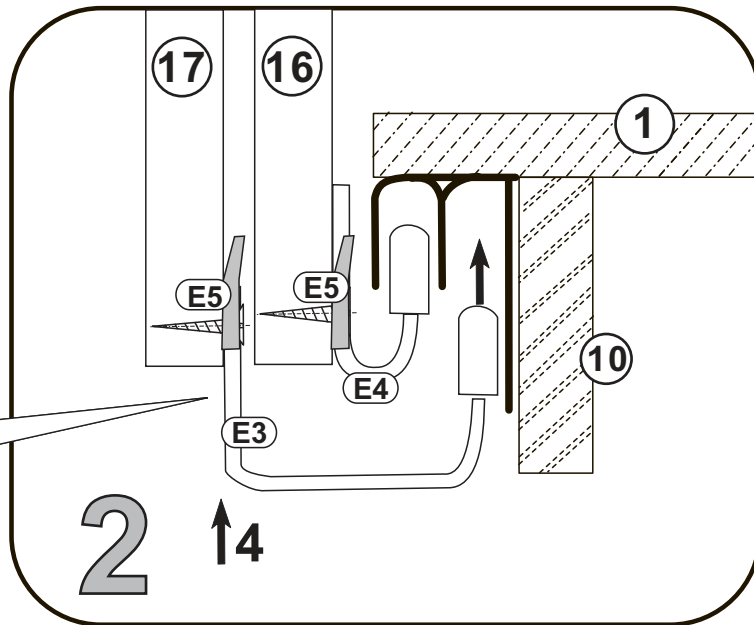
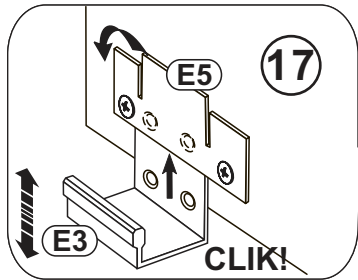
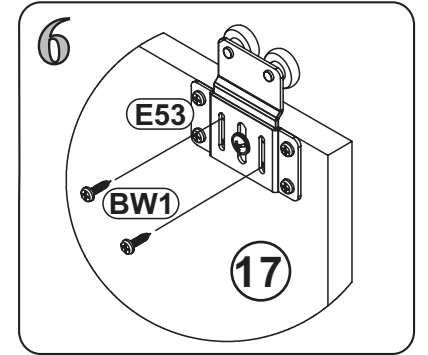
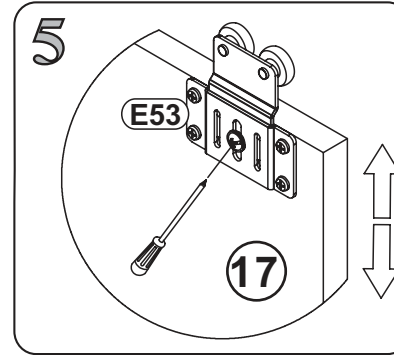
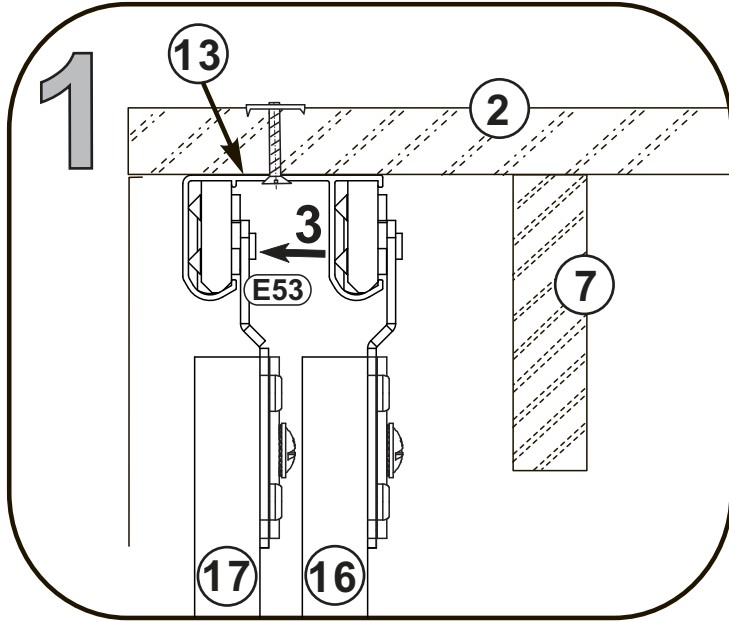
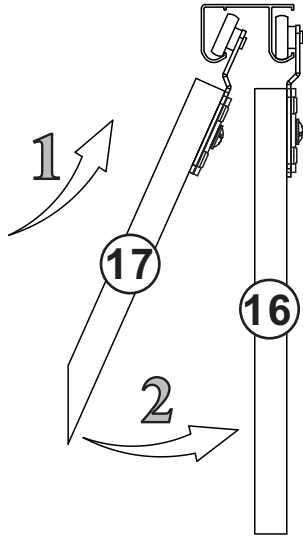
option "d" 



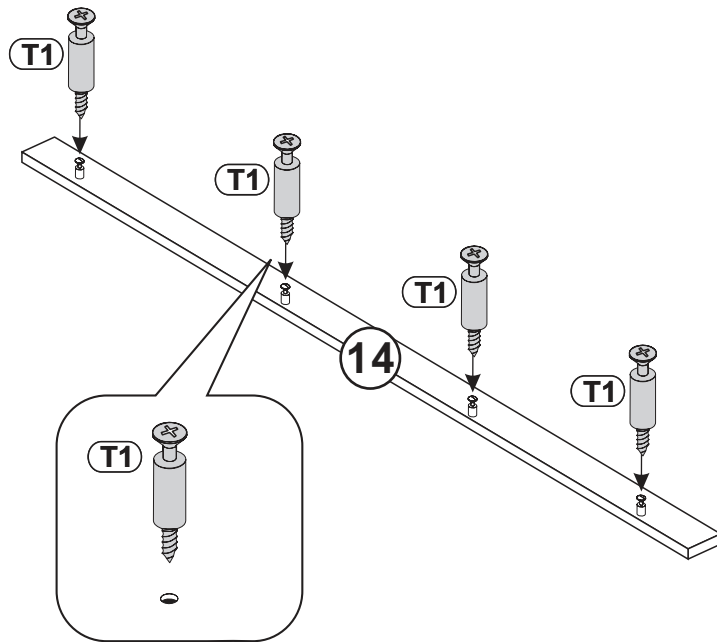
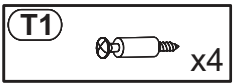
17



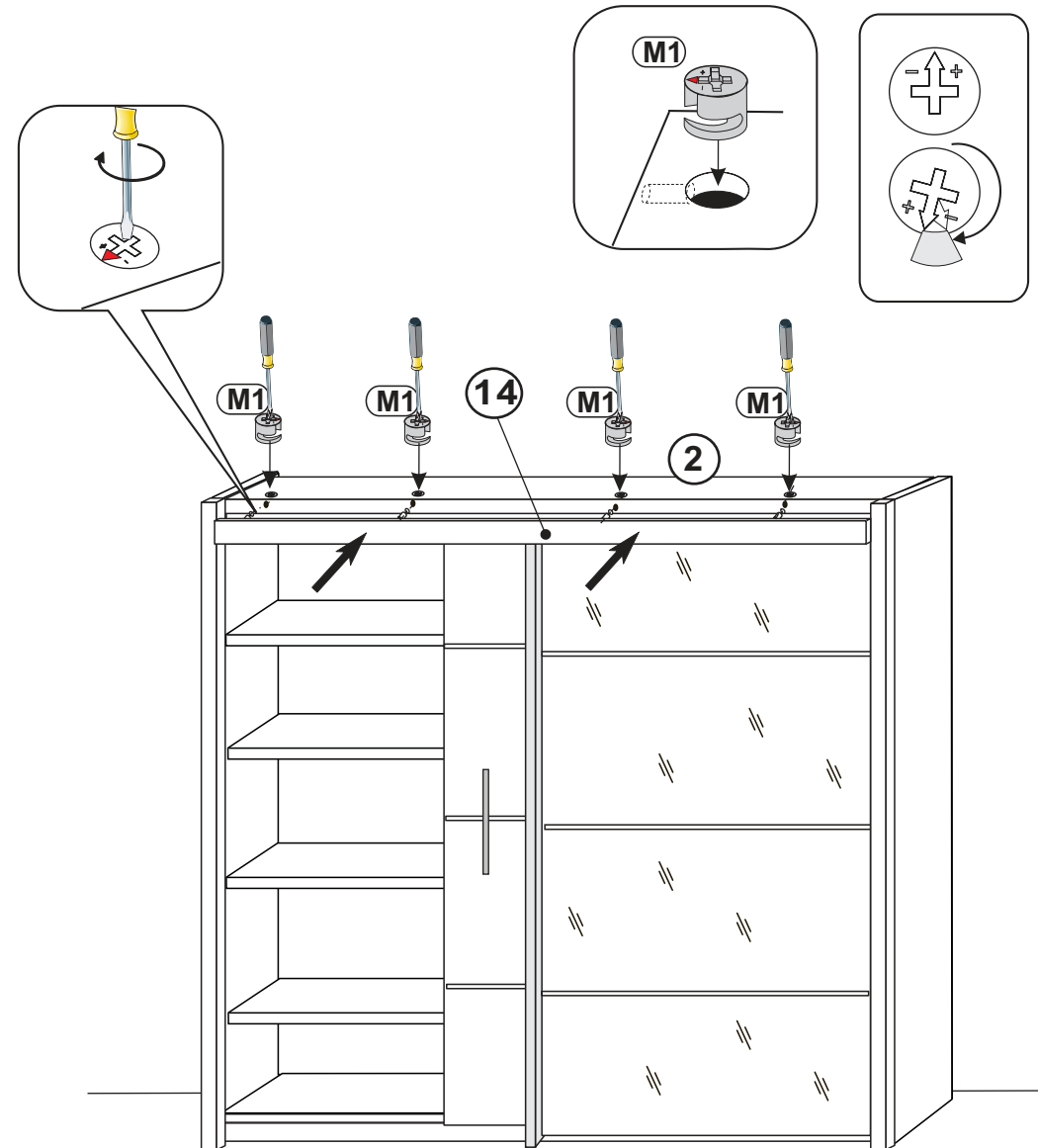
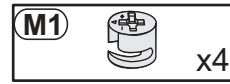
option "d" 



18



19



20

