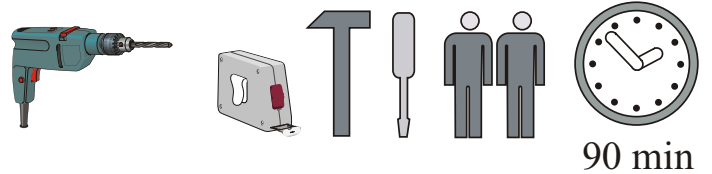
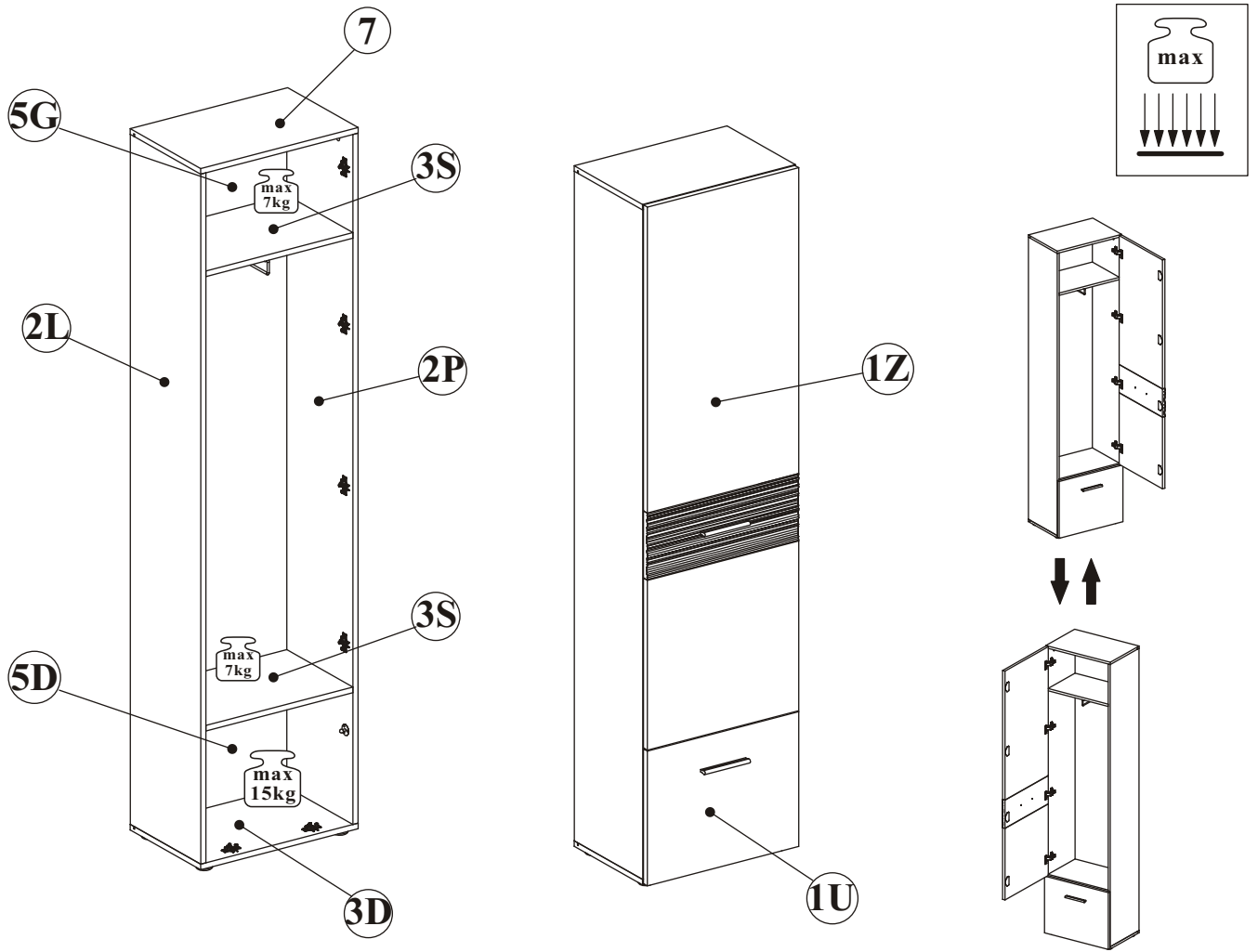
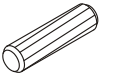
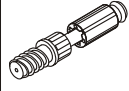
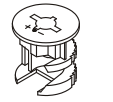

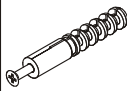
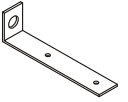
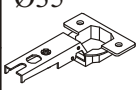
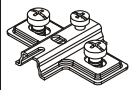
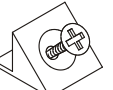
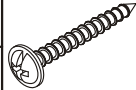
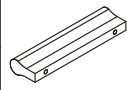
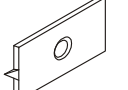

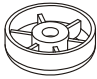

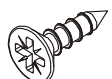




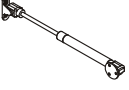




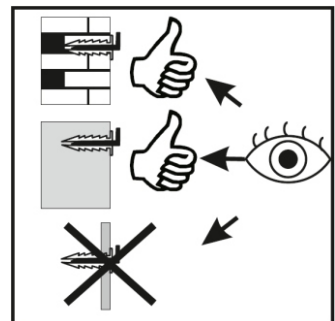
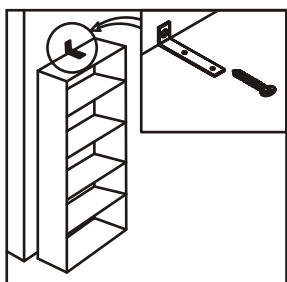
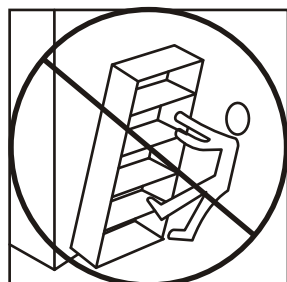
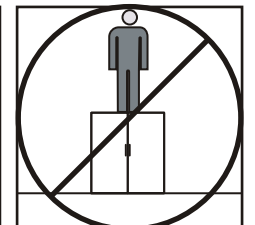
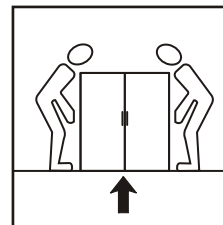
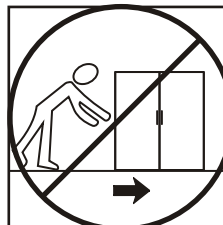
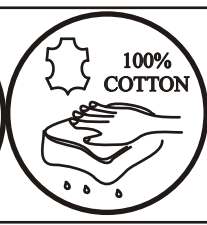
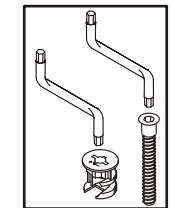
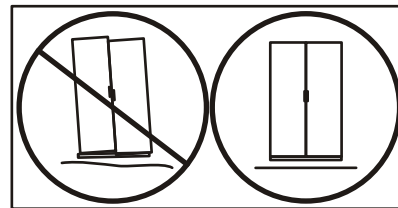
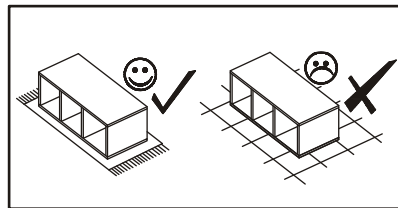
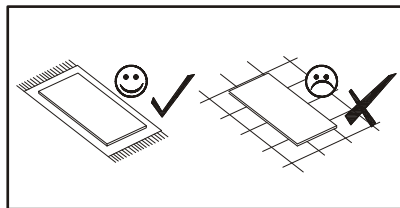
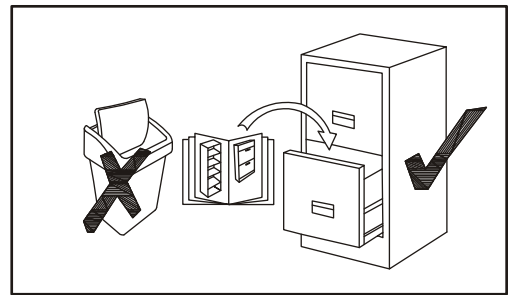
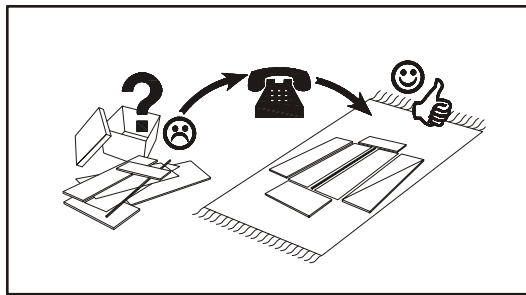
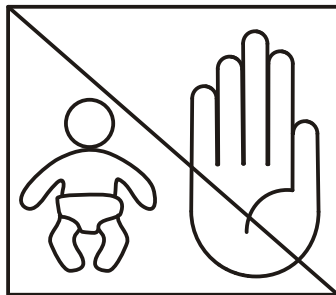
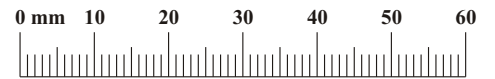
GUSTAVO TYP-A



NO	Dim.			Col-No	Qty
1U	496	396	19	1	1
1Z	496	1596	19	2	1
2L	1968	330	16	1	1
2P	1968	330	16	1	1
3D	501	330	16	1	1
3S	468	310	16	1	2
5G	1590	480	3	1	1
5D	390	480	3	1	1
7	501	330	16	1	1

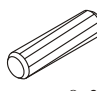
GUSTAVO TYP-A

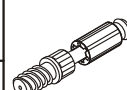
A1 x16  ø8x36	B4 x12 	B5 x12  Ø15x12	G5 x12 	KR1 x1 	L1 x1 
E21 x6 Ø35 H=0 	E2 x6 H=0 	S1 x18 	UP16 x4 UPØ4x35 	KL x2 L-148mm. 	G16 x4 
UP13 x12 UPØ3x16 	I11 x4 Ø45, h=15 	UP11 x4 UPØ4x20 	D10 x16 USØ3,5x13 	G2 x1 	C6 x1 L-260mm. 
Z2 x8 Ø5 	G2 x4 Ø35 	BO1 x1 	B11 x4 Ø7x50 	G4 x4 	




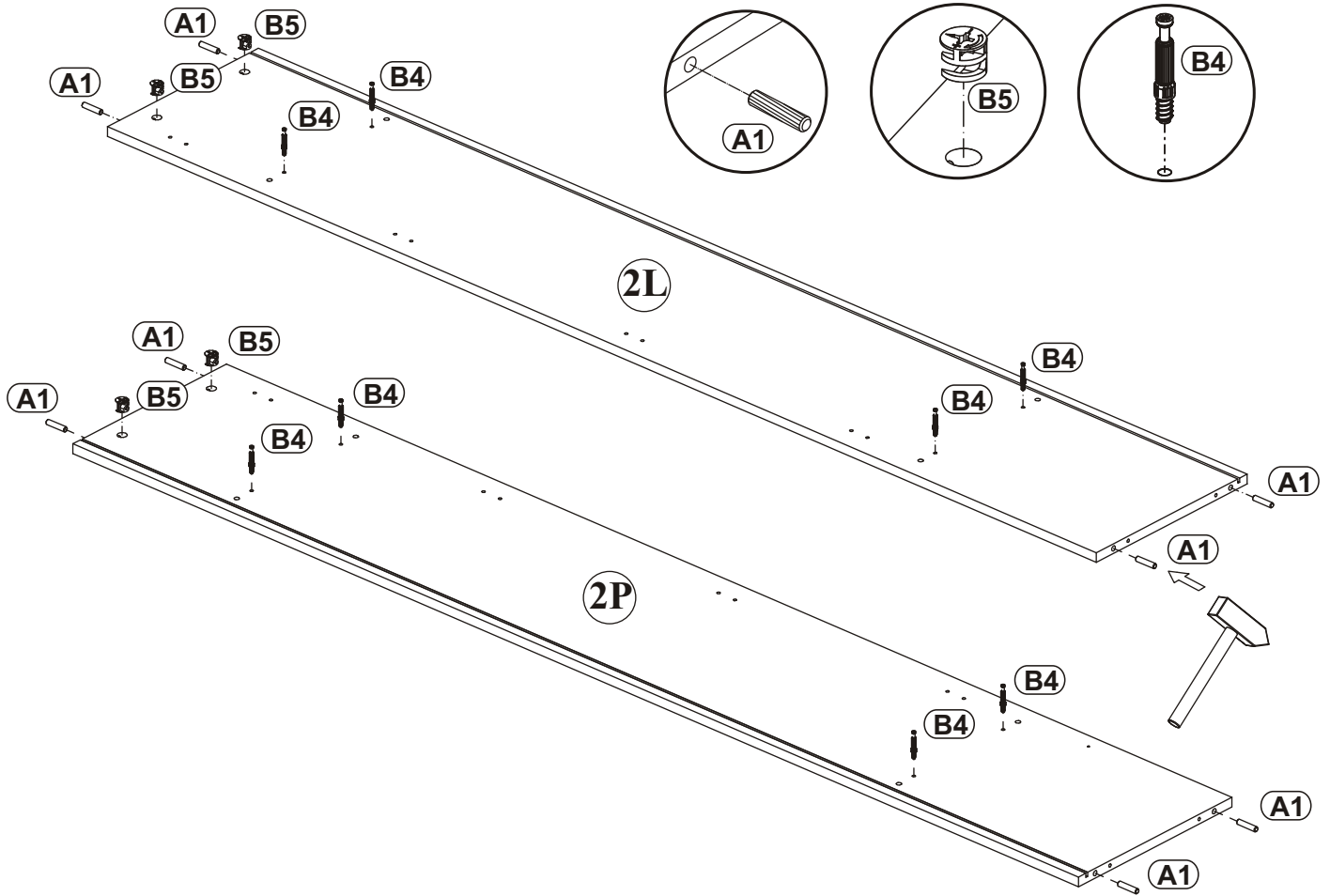
GUSTAVO TYP-A

1

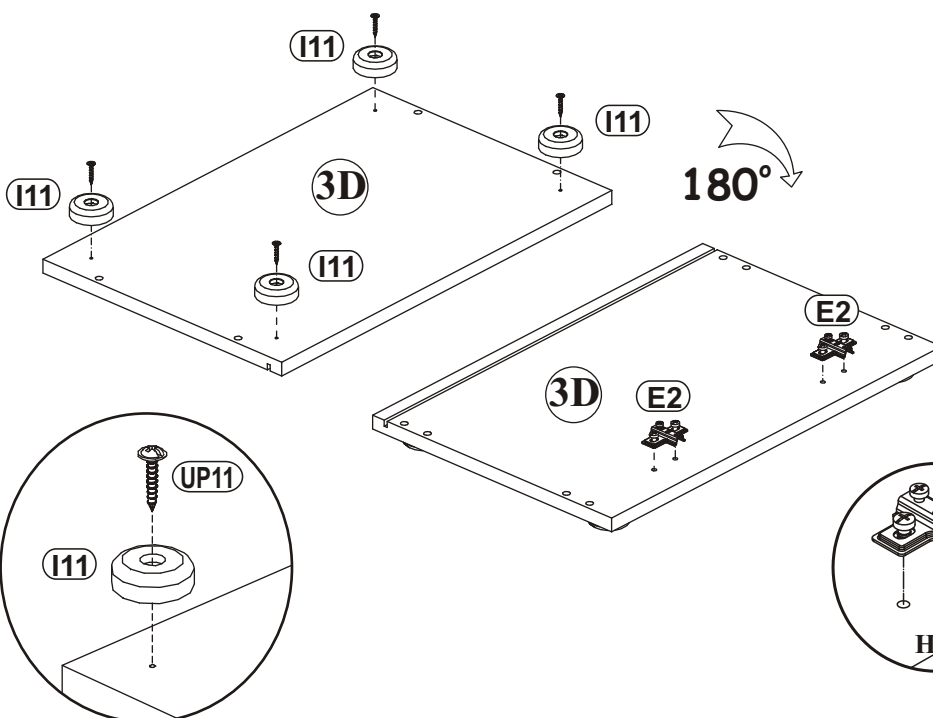
A1	
x8	ø8x36

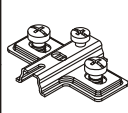
B4	
x8	

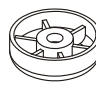
B5	
x4	Ø15x12




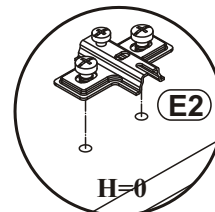
2



E2	
x2	H=0

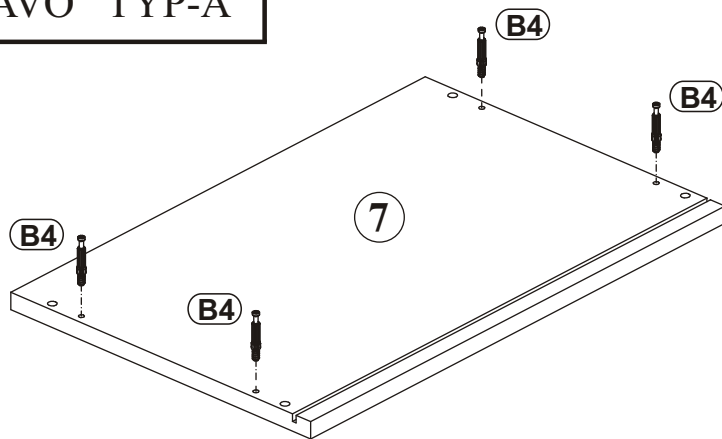
I11	
x4	Ø45, h=15

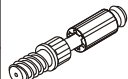
UP11	
x4	UPØ4x20

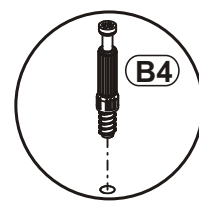


GUSTAVO TYP-A

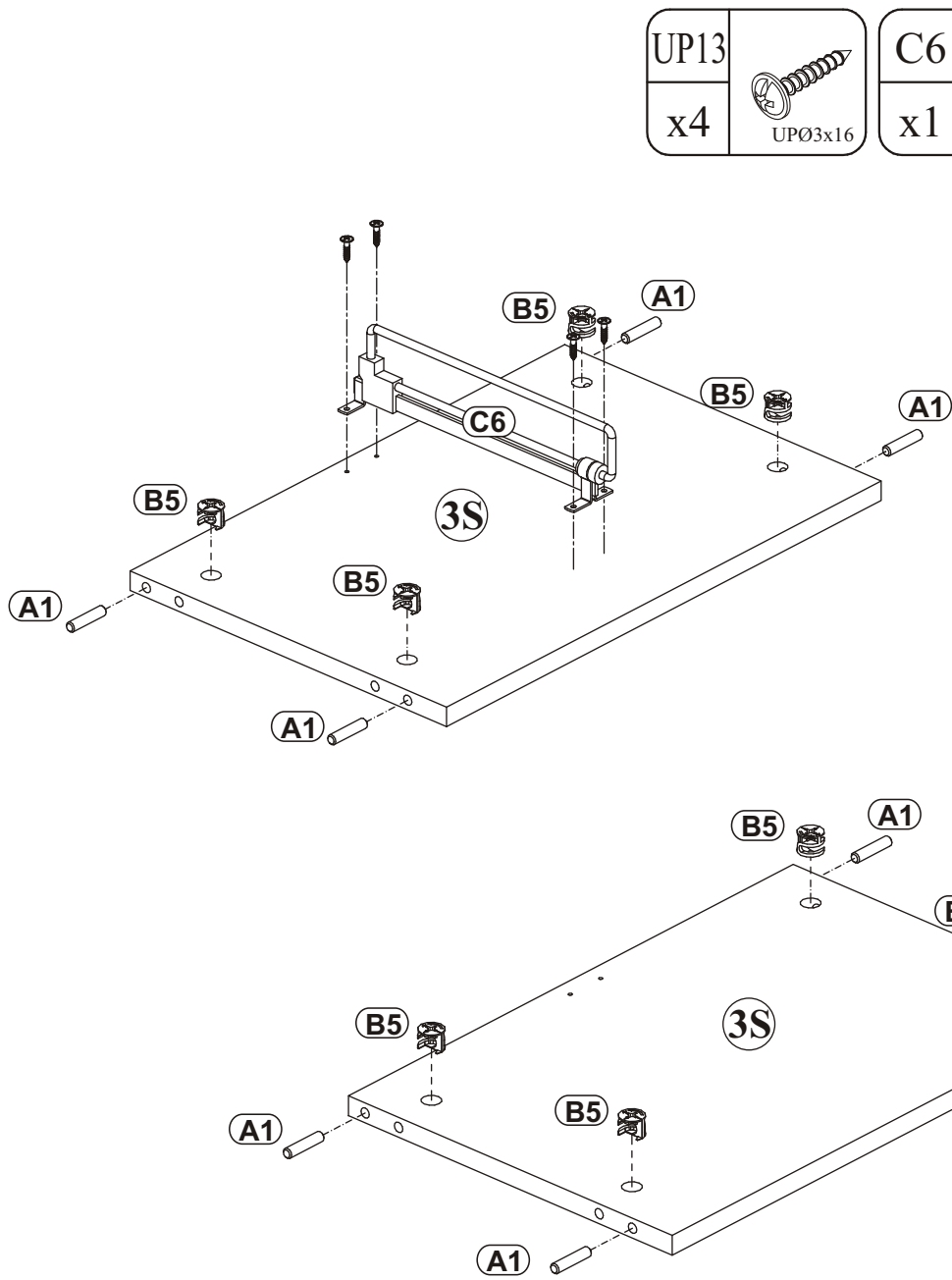
3




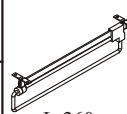
B4	
x4	




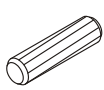
4

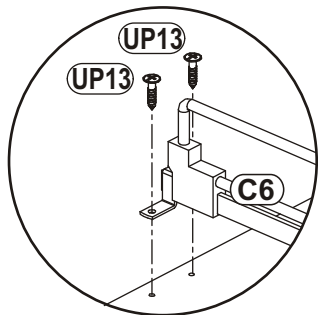


UP13	
x4	UPØ3x16

C6	
x1	L-260mm.

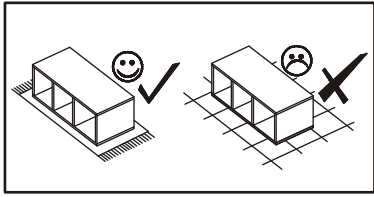
B5	
x8	Ø15x12

A1	
x8	ø8x36





GUSTAVO TYP-A

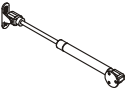
5

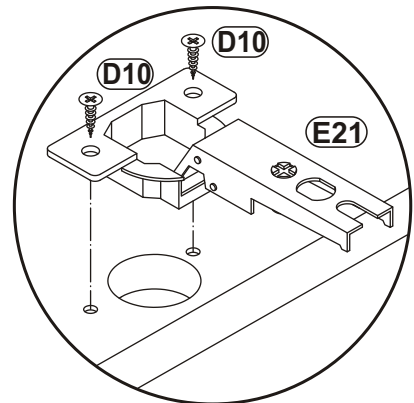
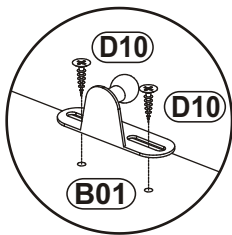
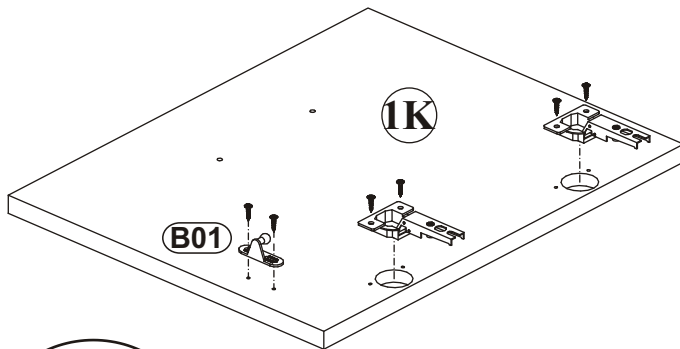
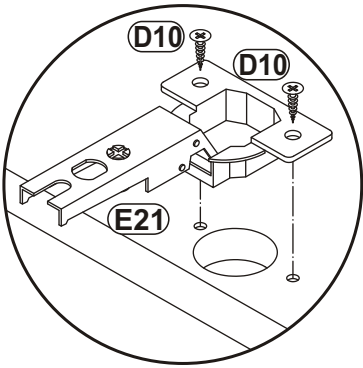
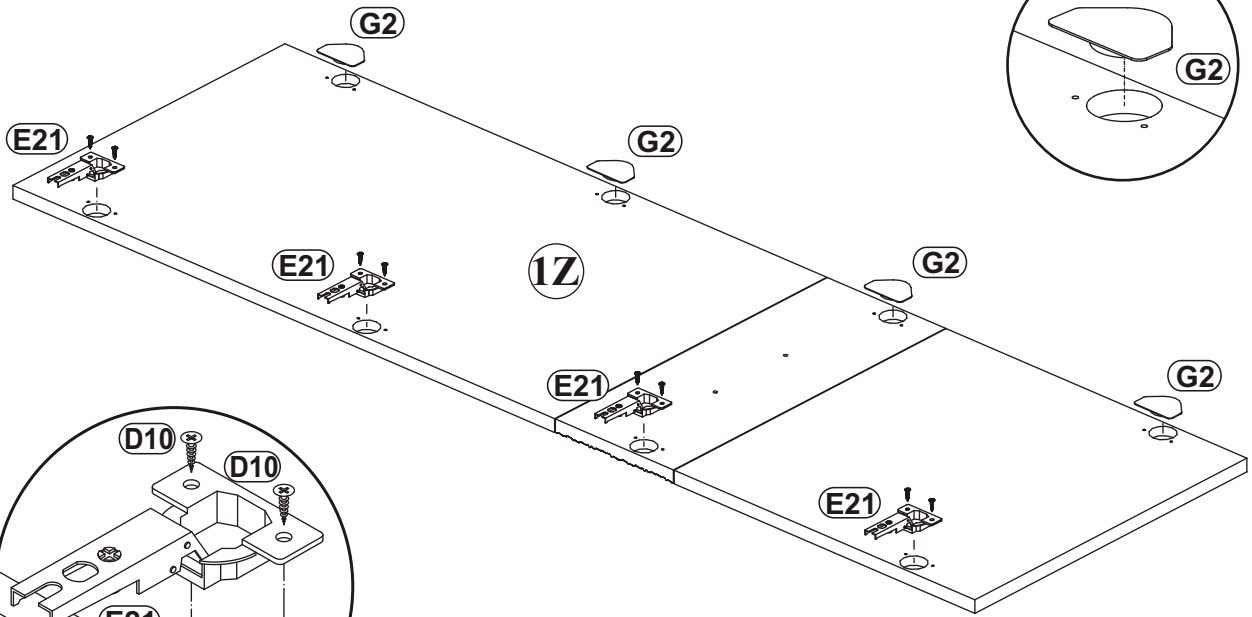


E21	Ø35
x6	H=0

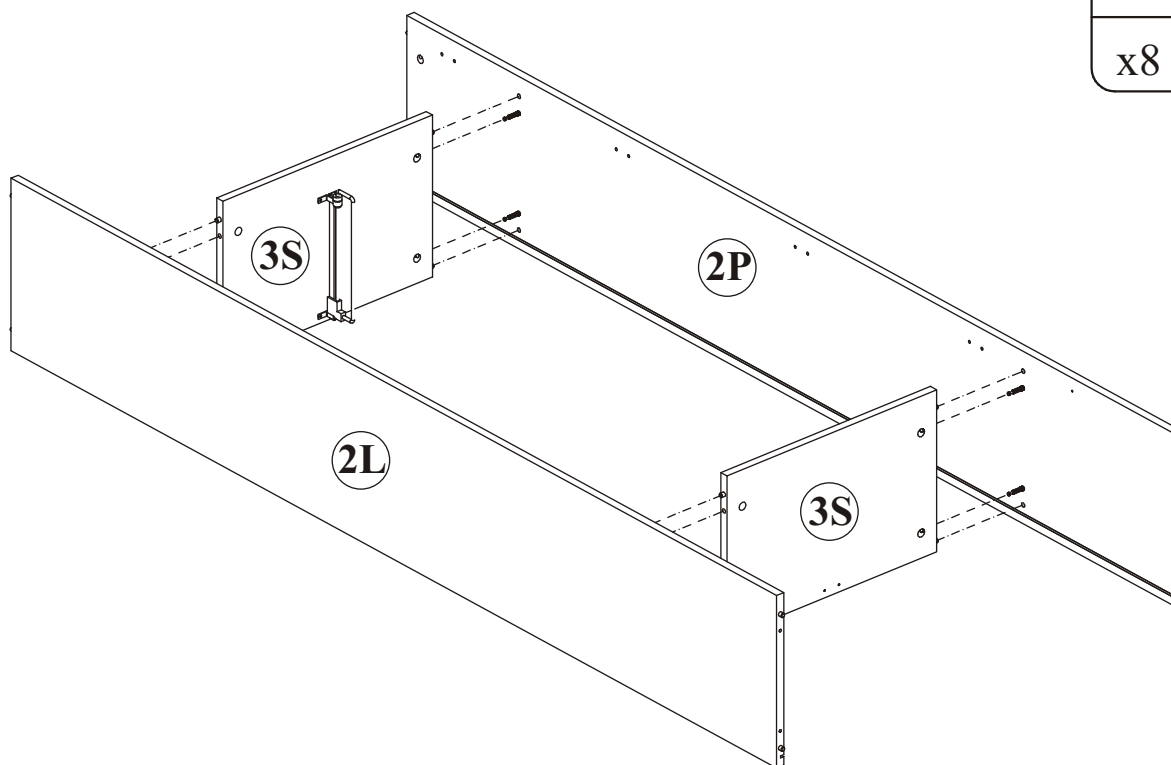
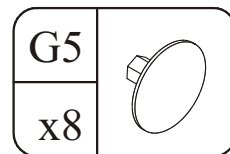
G2	
x4	Ø35

D10	
x14	USØ3,5x13

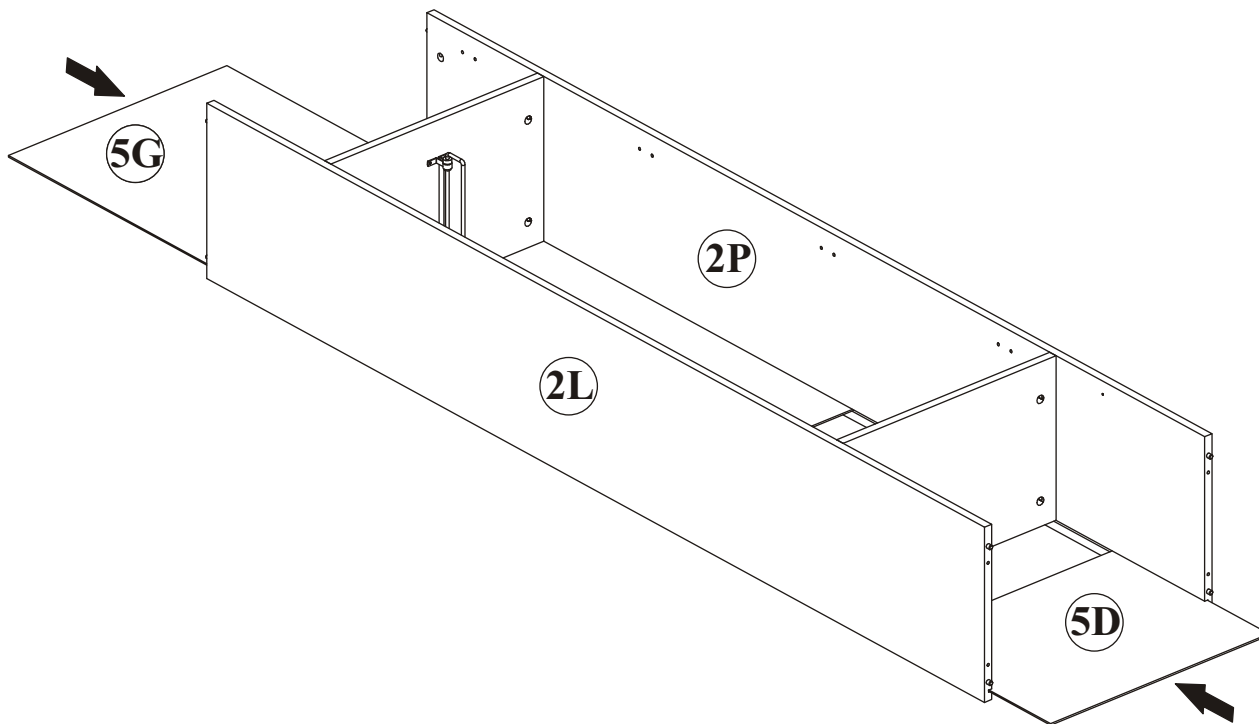
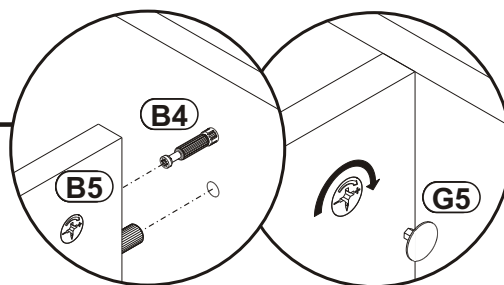
B01	
x1	



6



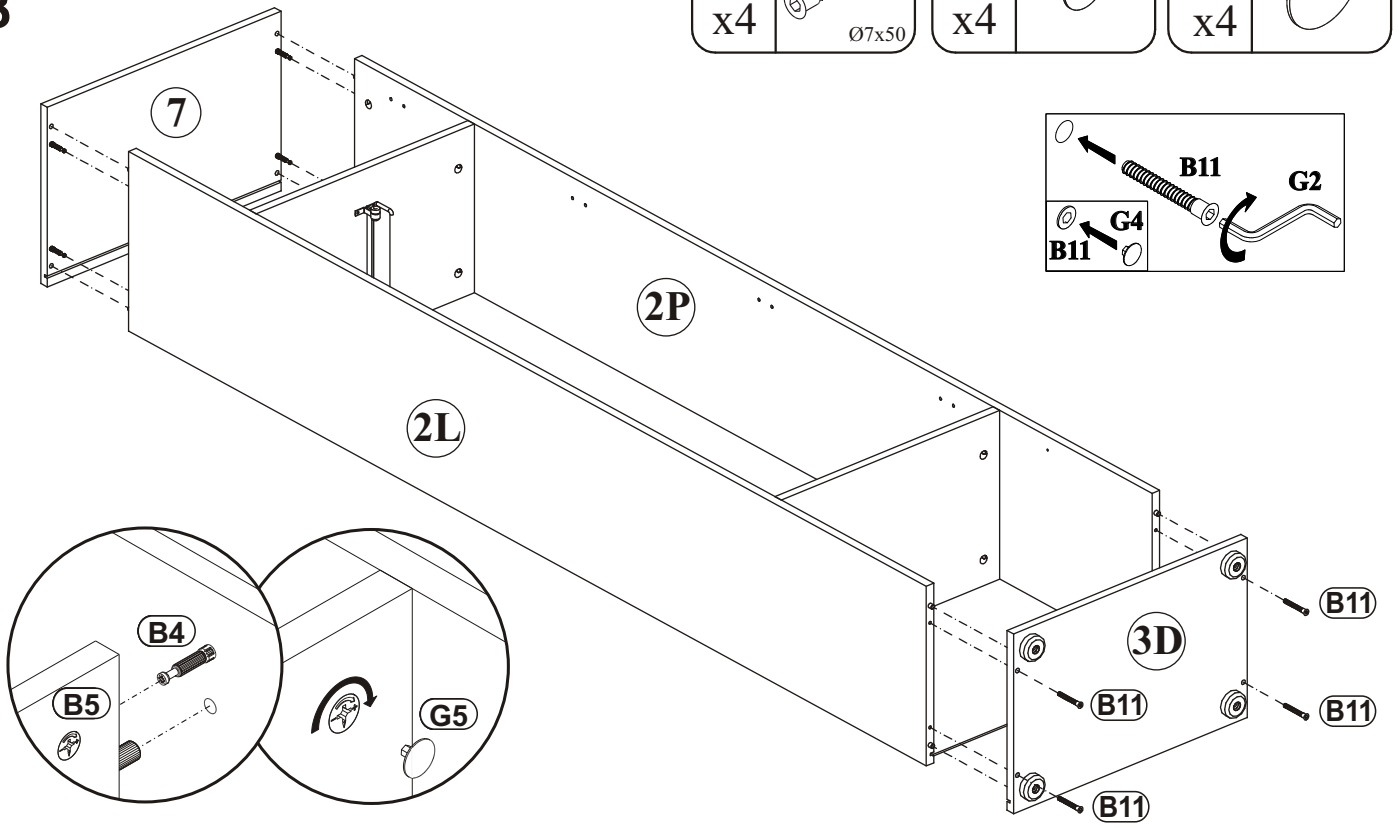
7



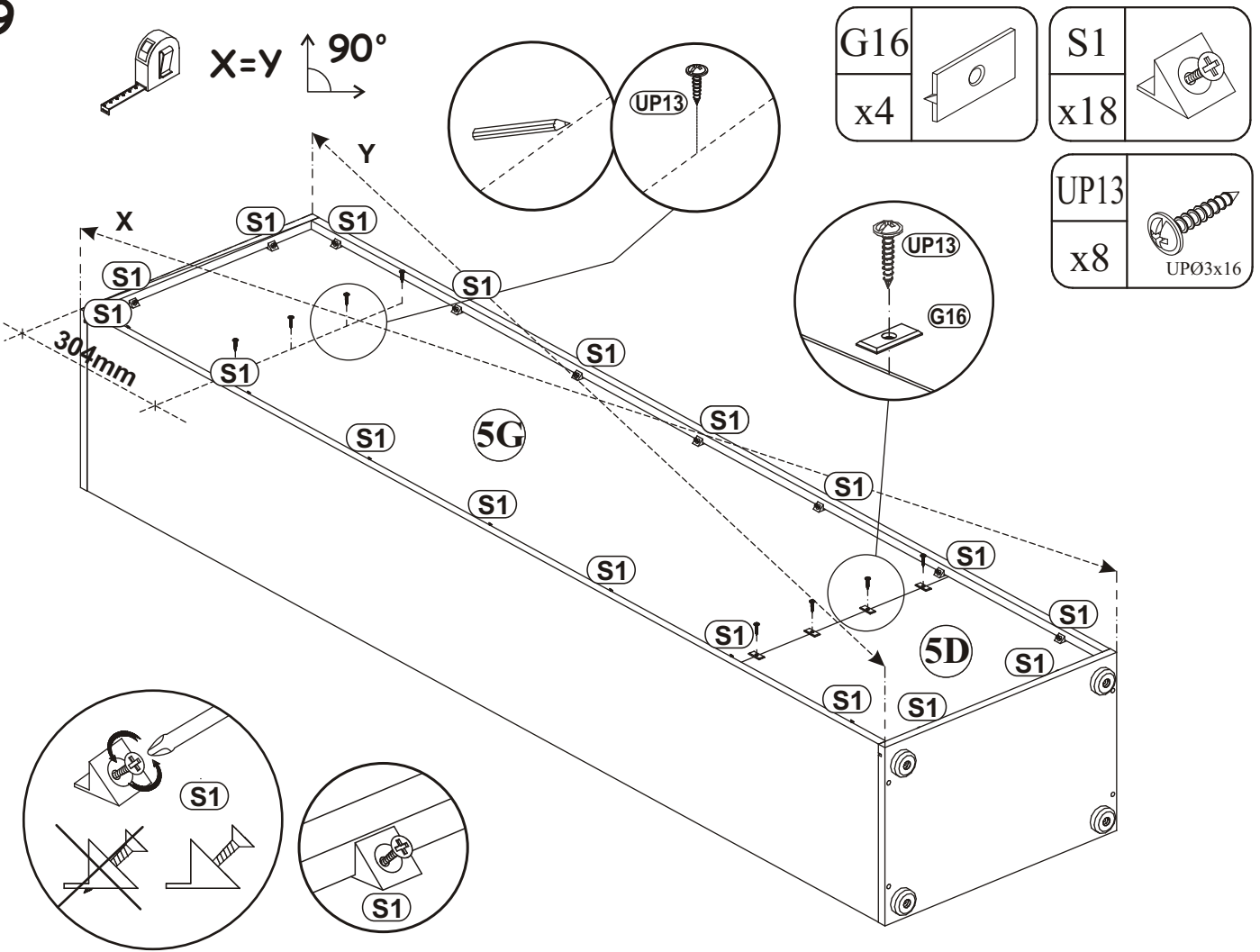
GUSTAVO TYP-A

B11		G4		G5	
x4	Ø7x50	x4		x4	

8

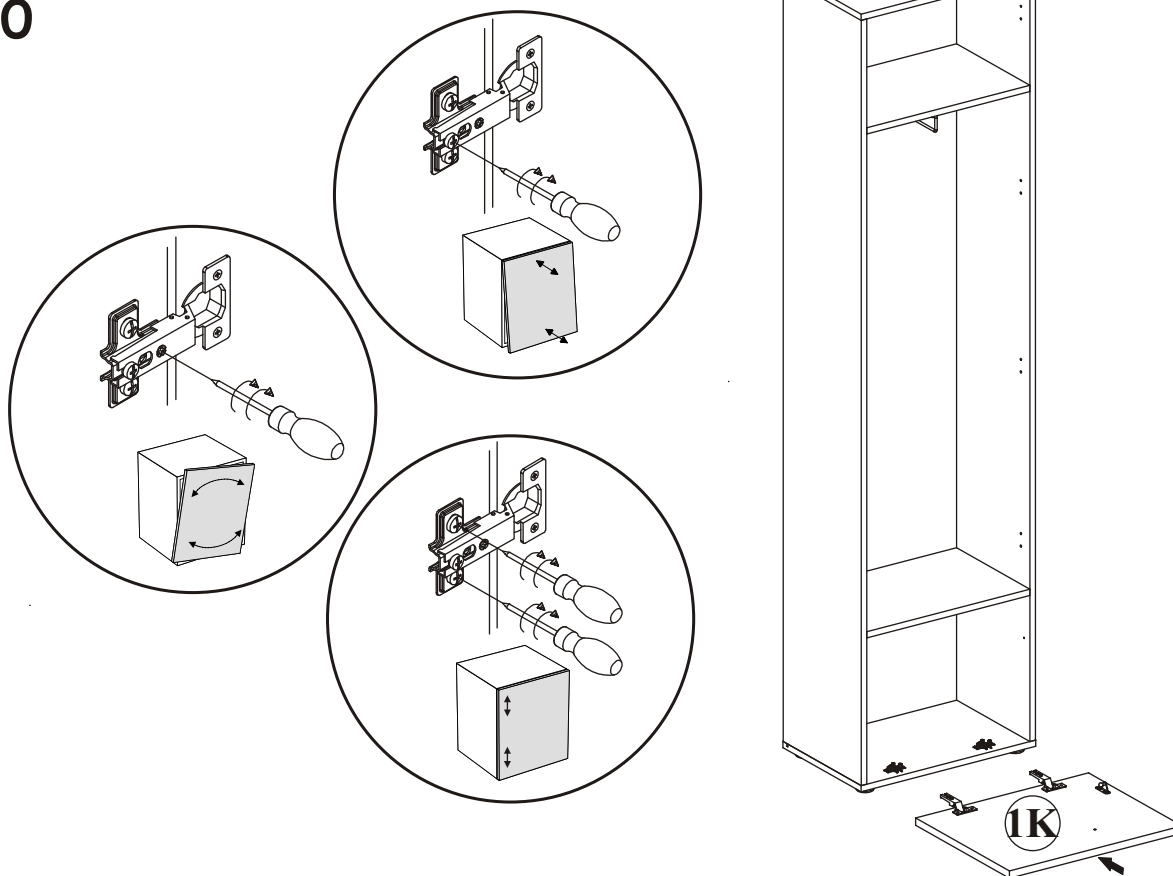


9

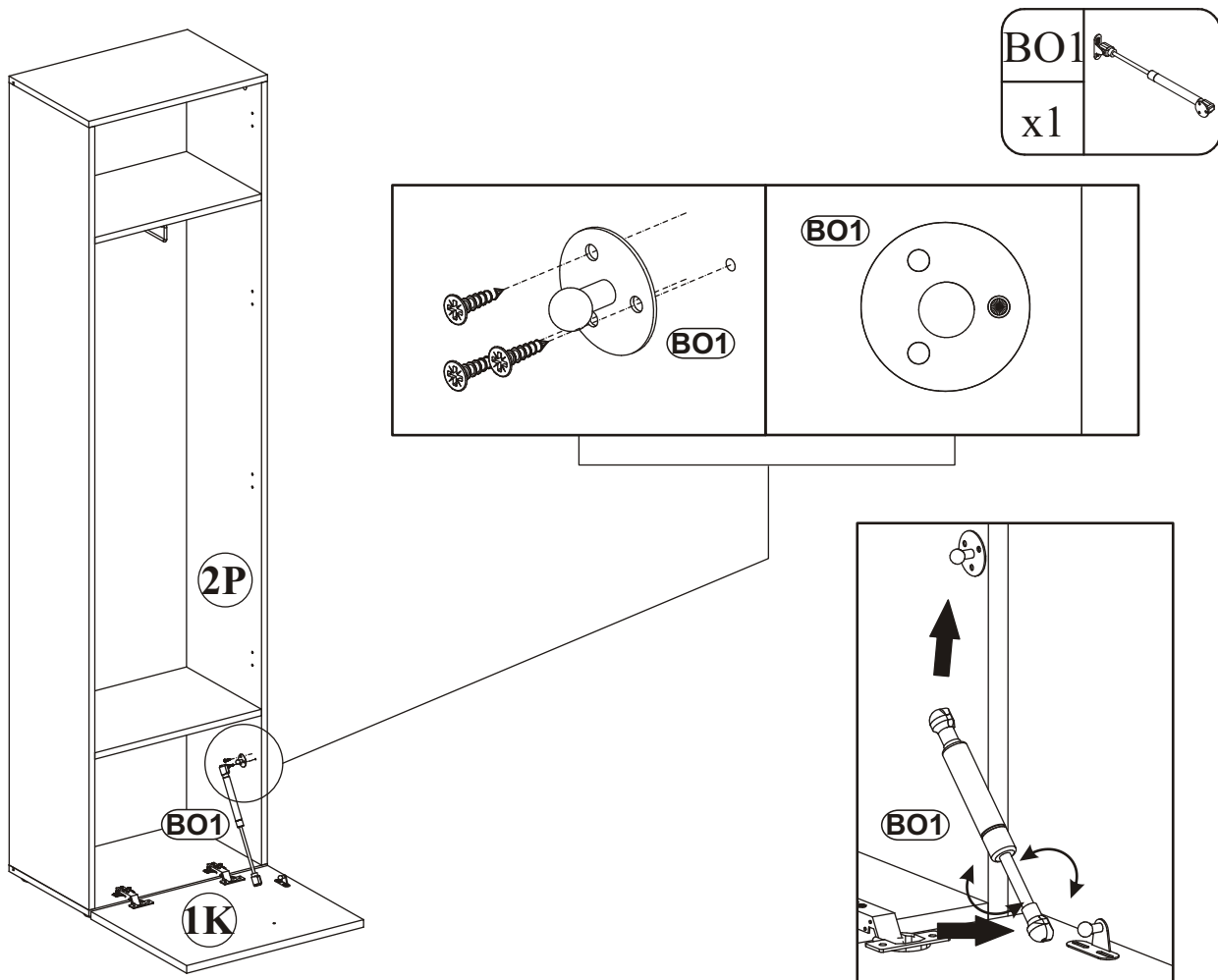


GUSTAVO TYP-A


10

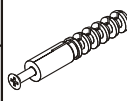


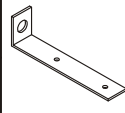
11

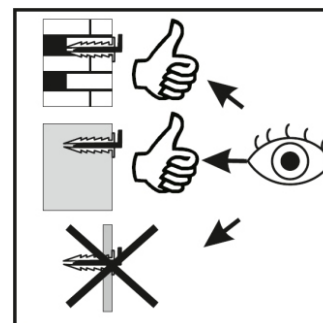
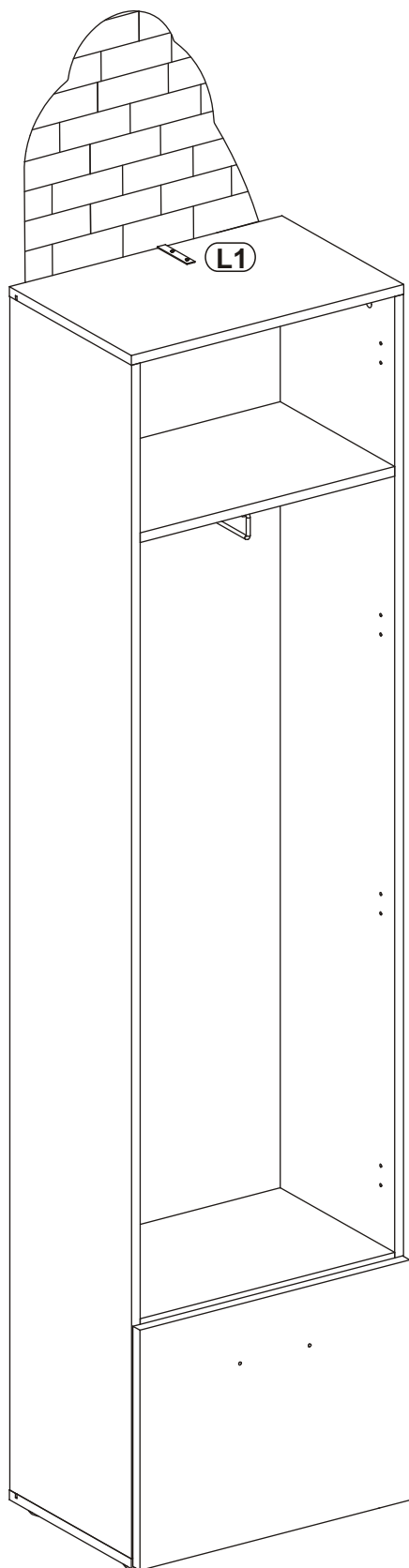


12



D10	
x2	USØ3,5x13

KR1	
x1	

L1	
x1	



8φ

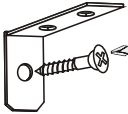


1




2

3




L1


4



D10

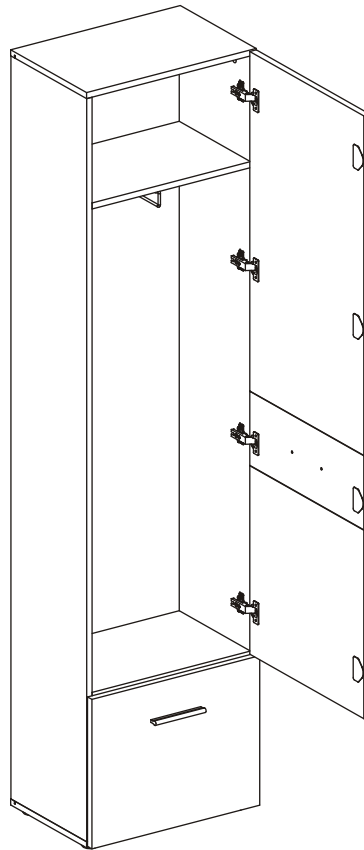


D10

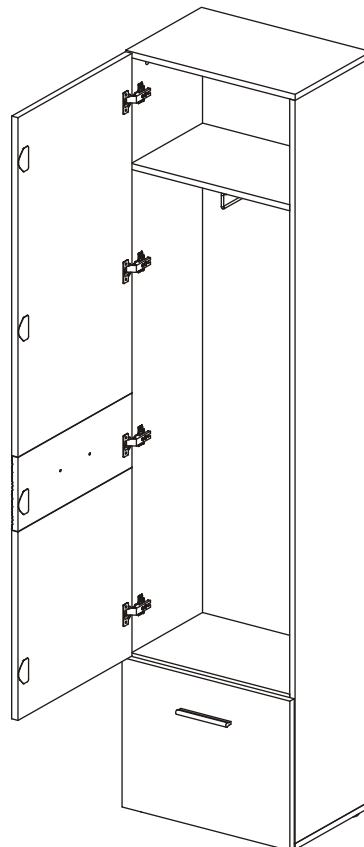


L1

13 - 15

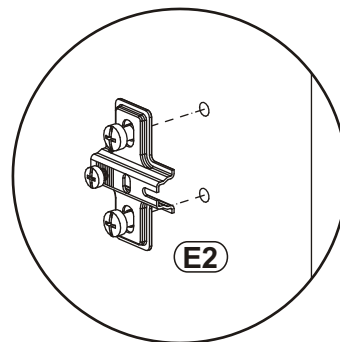
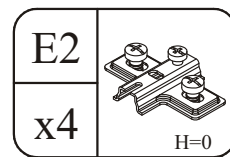
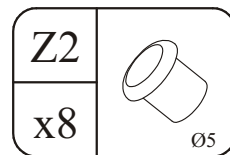
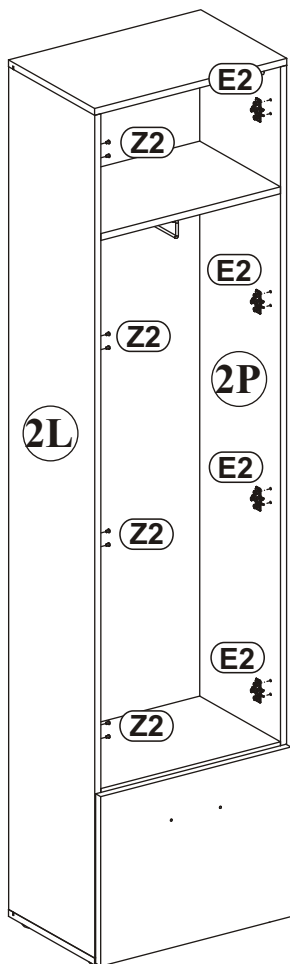
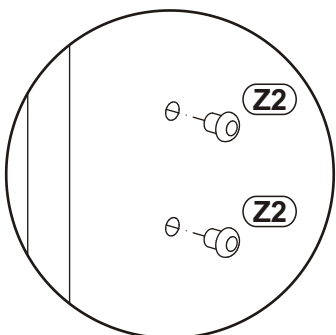
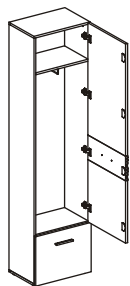


16 - 18

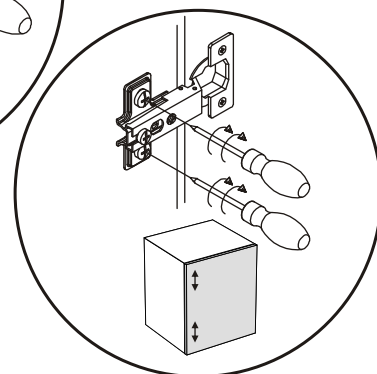
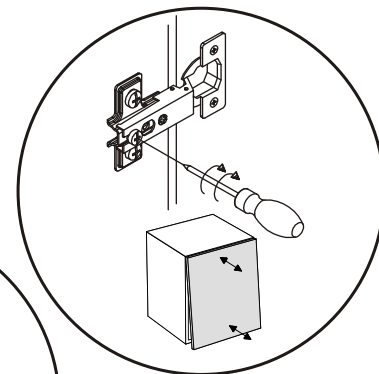
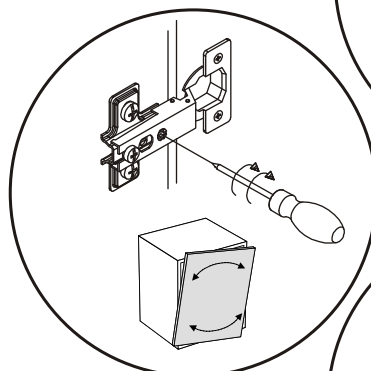
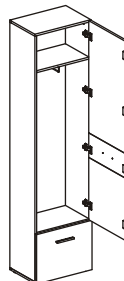
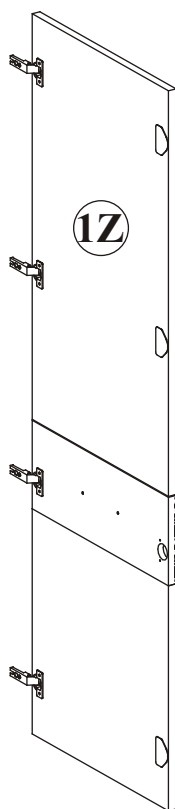
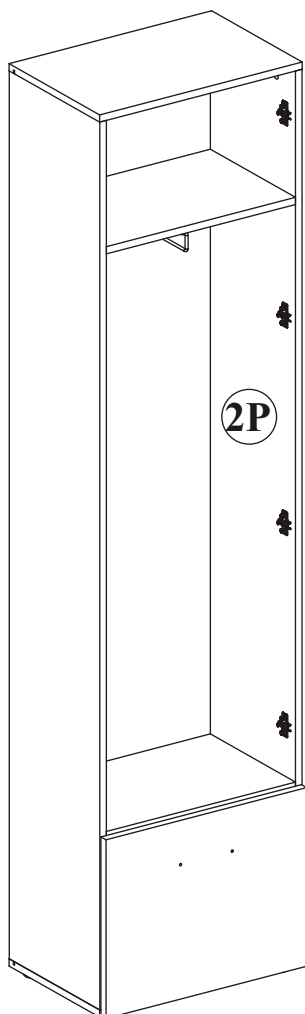


GUSTAVO TYP-A

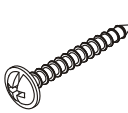

13

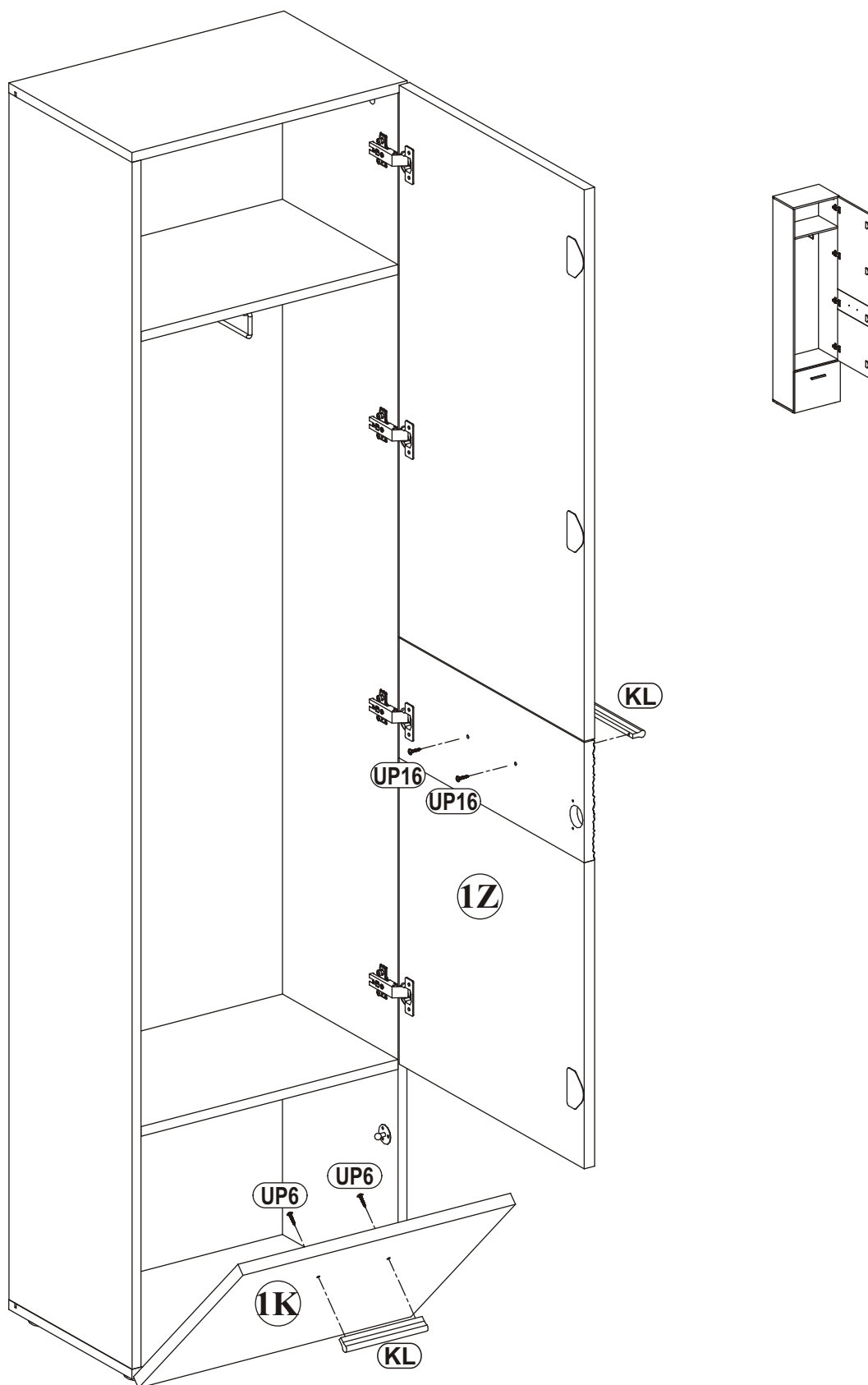


14



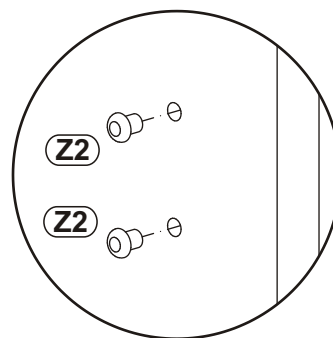
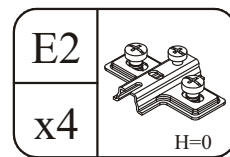
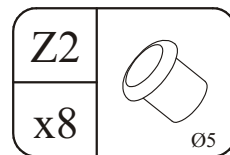
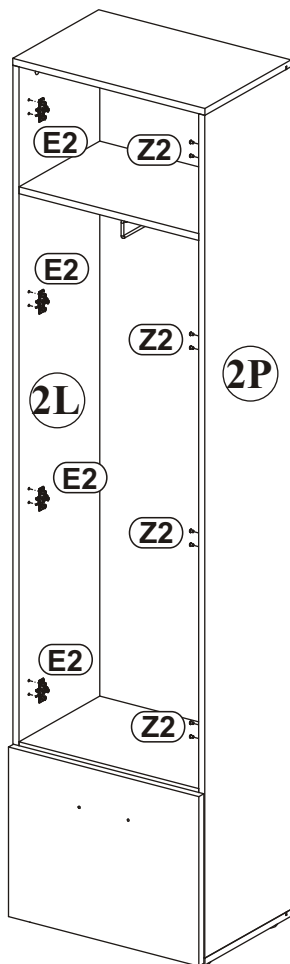
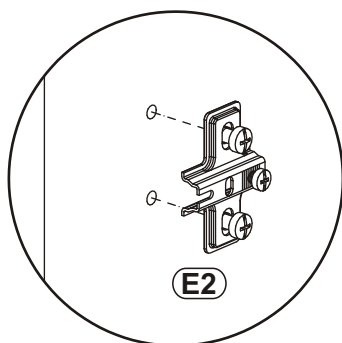
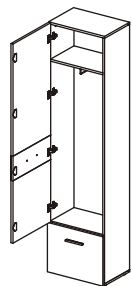
15

UP16		KL	
x4	UPØ4x35	x2	L-148mm.

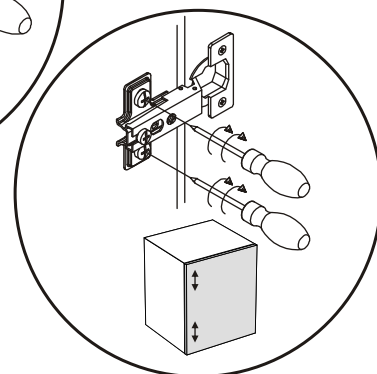
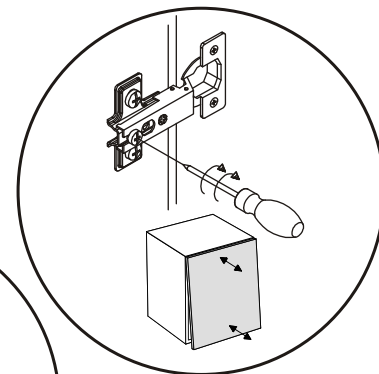
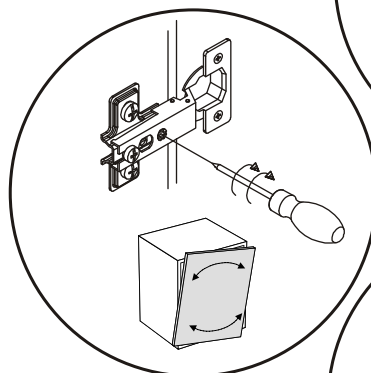
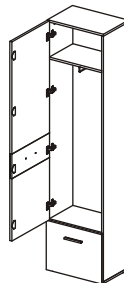
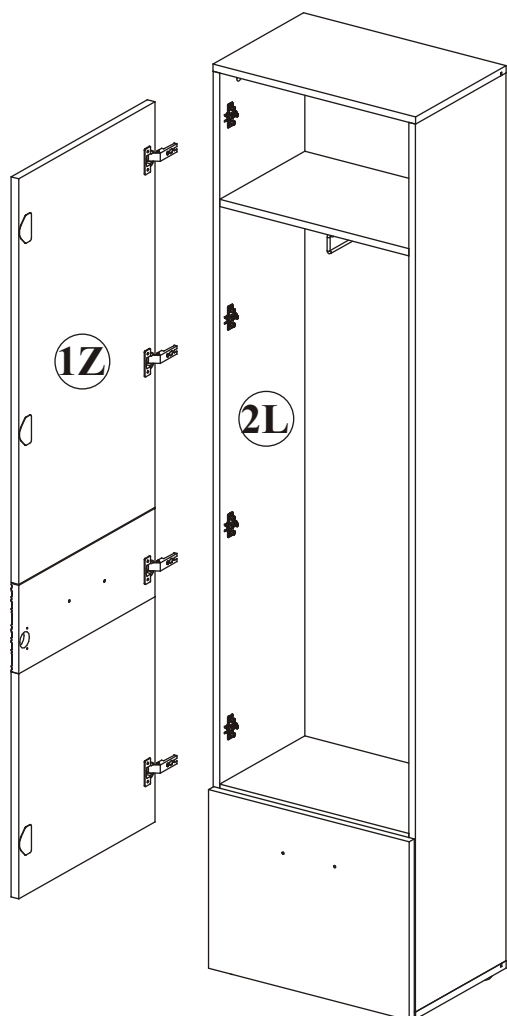


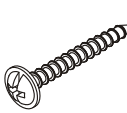

GUSTAVO TYP-A

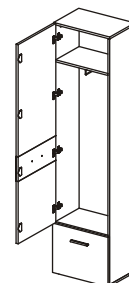
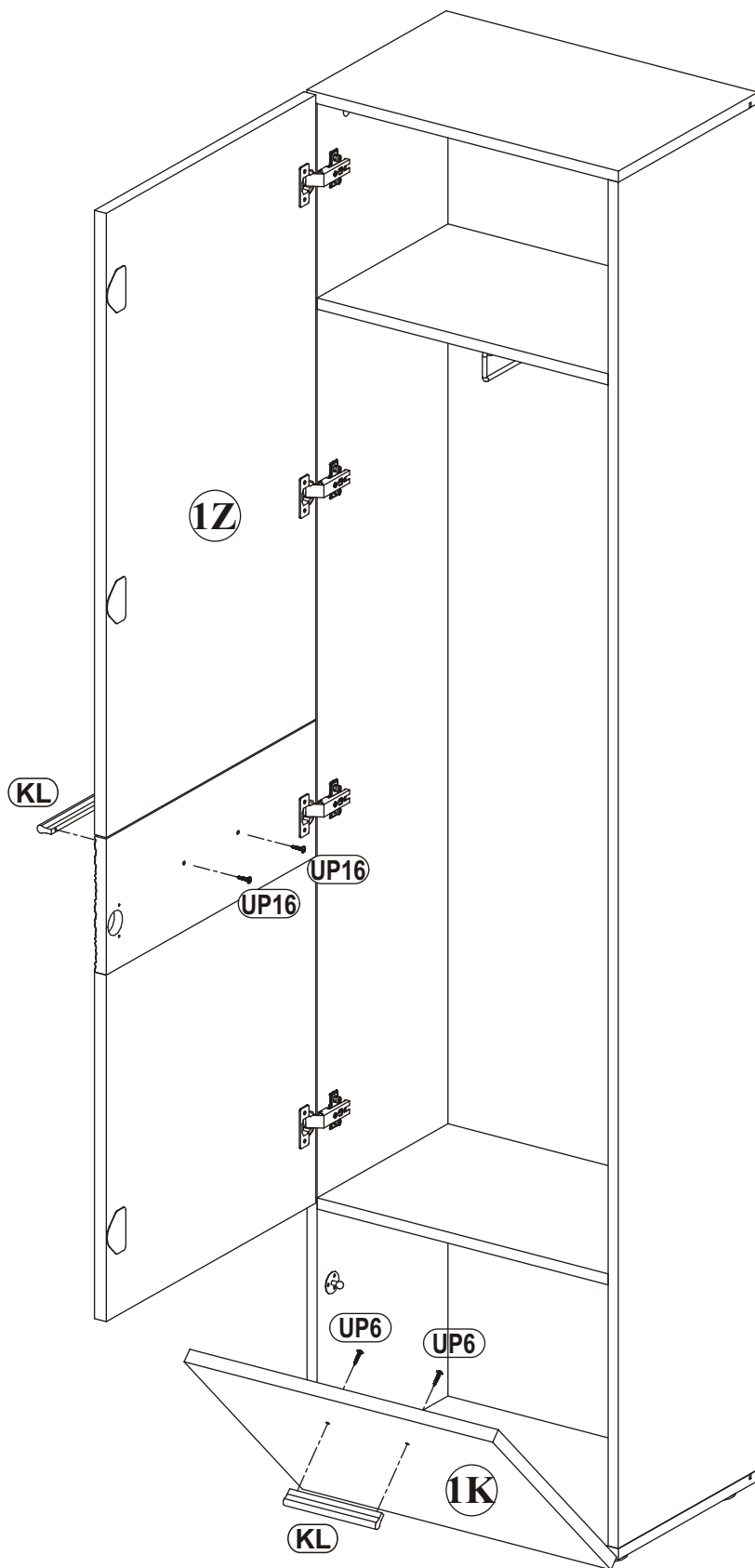
16



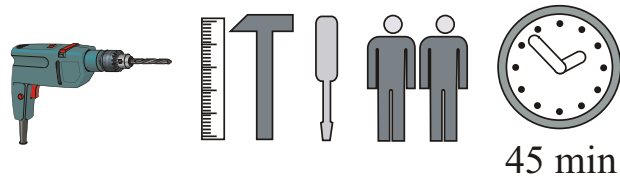
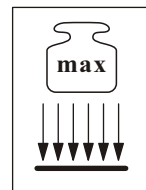
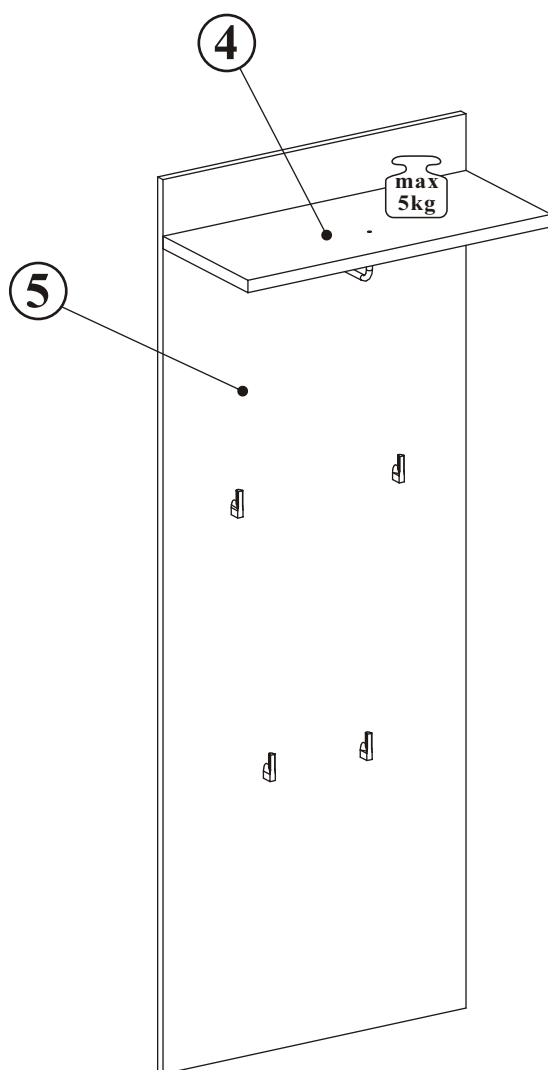
17



UP16		KL	
x4	UPØ4x35	x2	L-148mm.



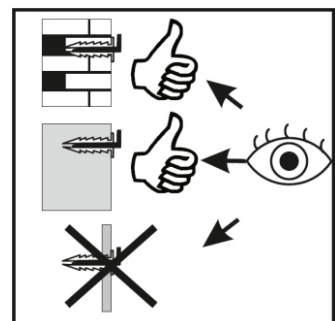
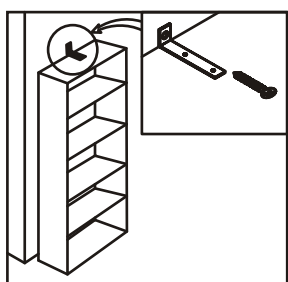
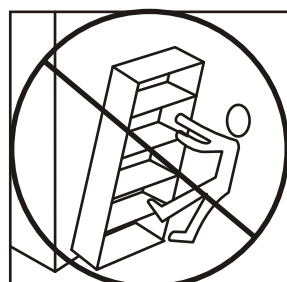
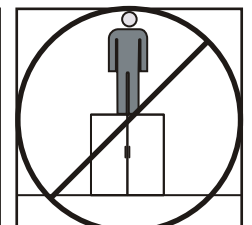
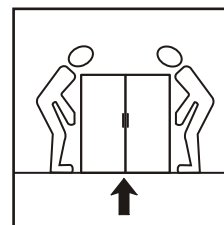
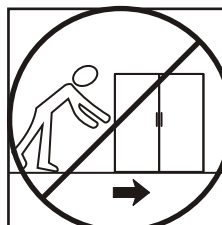
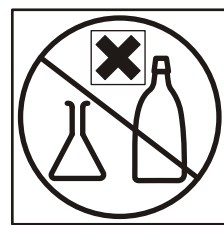
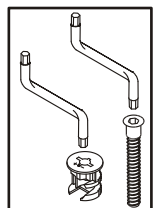
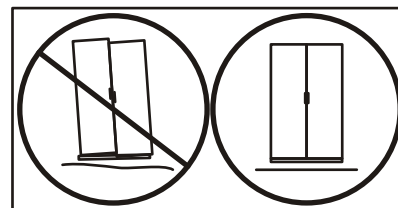
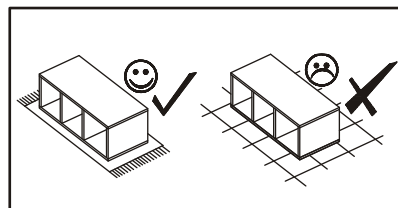
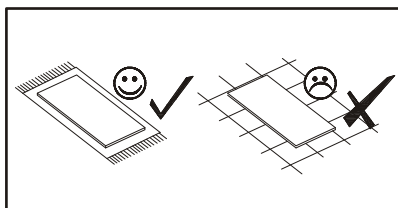
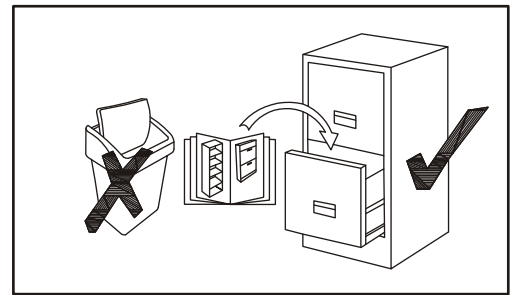
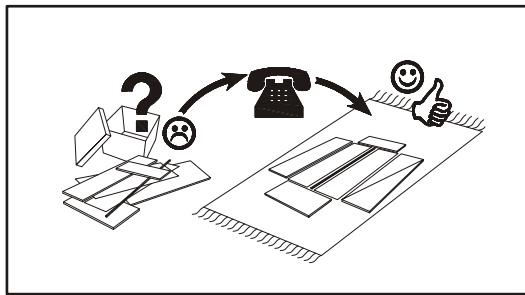
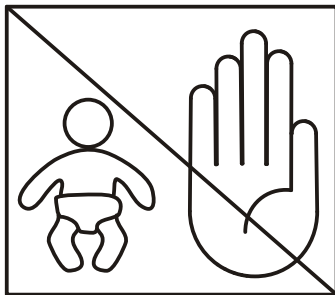
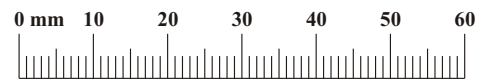
GUSTAVO TYP-D



NO	Dim.			Col-No	Qty
4	601	260	22	1	1
5	1580	601	16	1	1

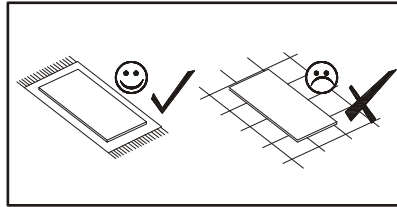
GUSTAVO TYP-D

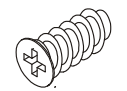
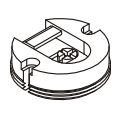
A1 x4 ø8x36	B11 x3 Ø7x50	G4 x3	D28 x6 ESØ6x9,5	ZM1 x3	G2 x1
KR3 x3 ø10	WL x1 L-220mm.	UP6 x8 UPØ4x30	WS3 x2 WS4x30	WS1 x4	

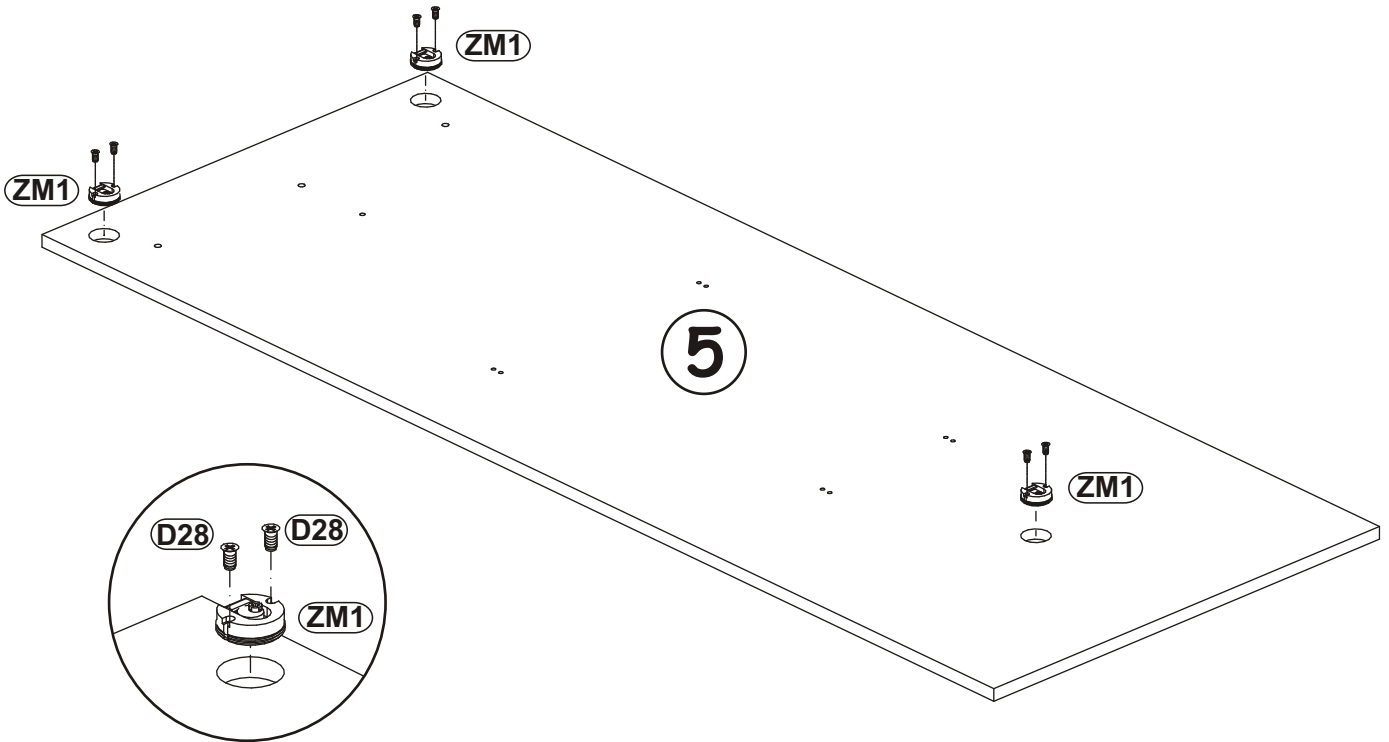
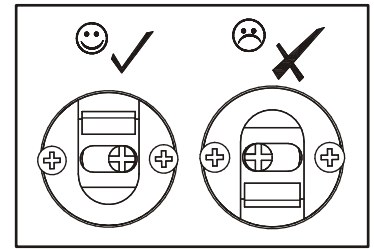


GUSTAVO TYP-D

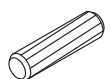
1

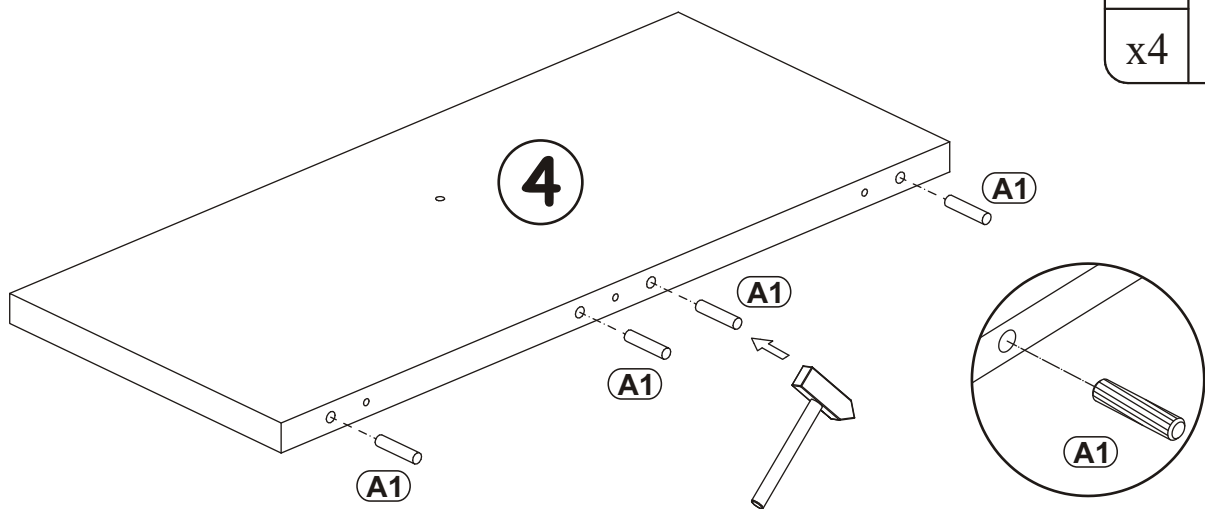


D28		ZM1	
x6	ESØ6x9,5	x3	



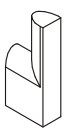
2


A1	
x4	ø8x36





GUSTAVO TYP-D

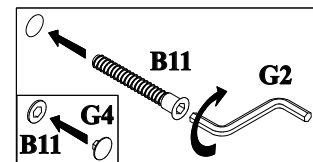
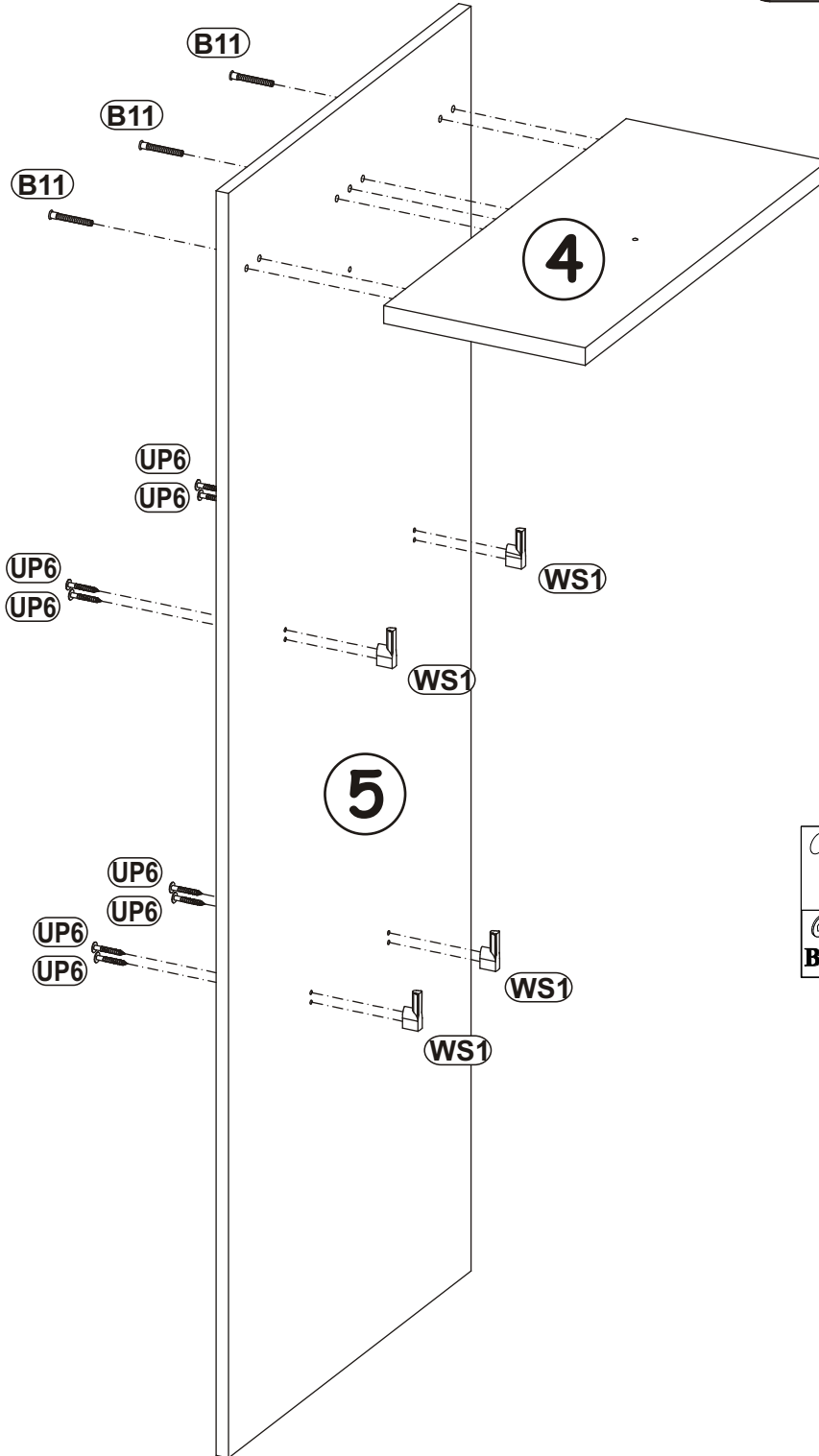
3

WS1	
x4	

B11	
x3	Ø7x50

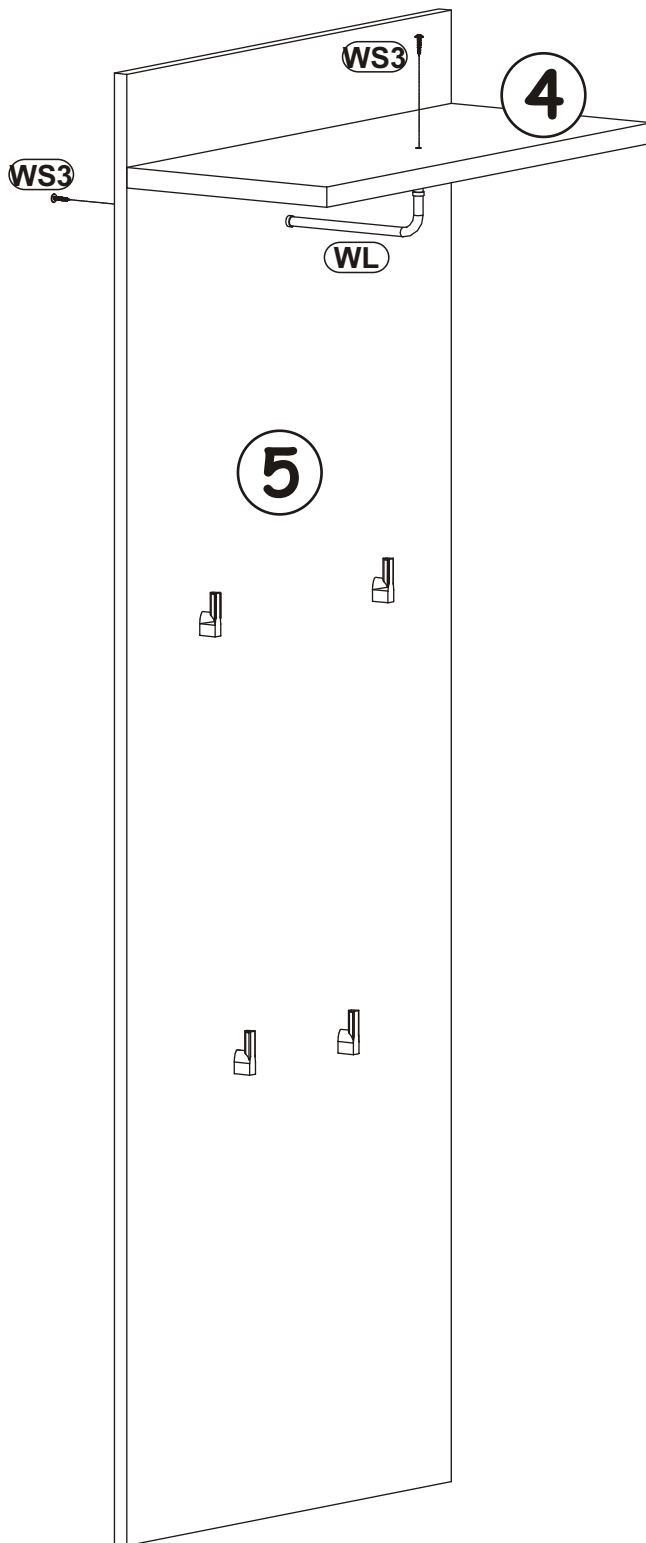
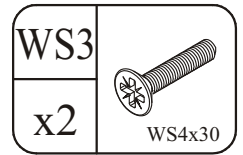
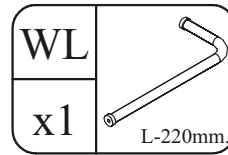
UP6	
x8	UPØ4x30

G4	
x3	



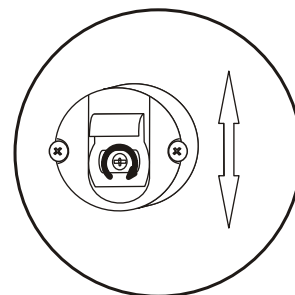
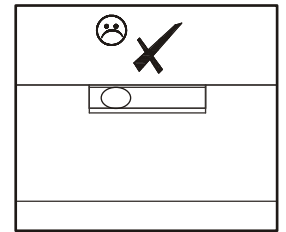
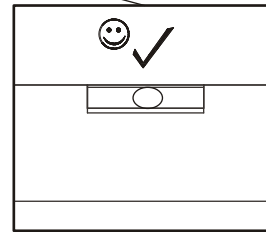
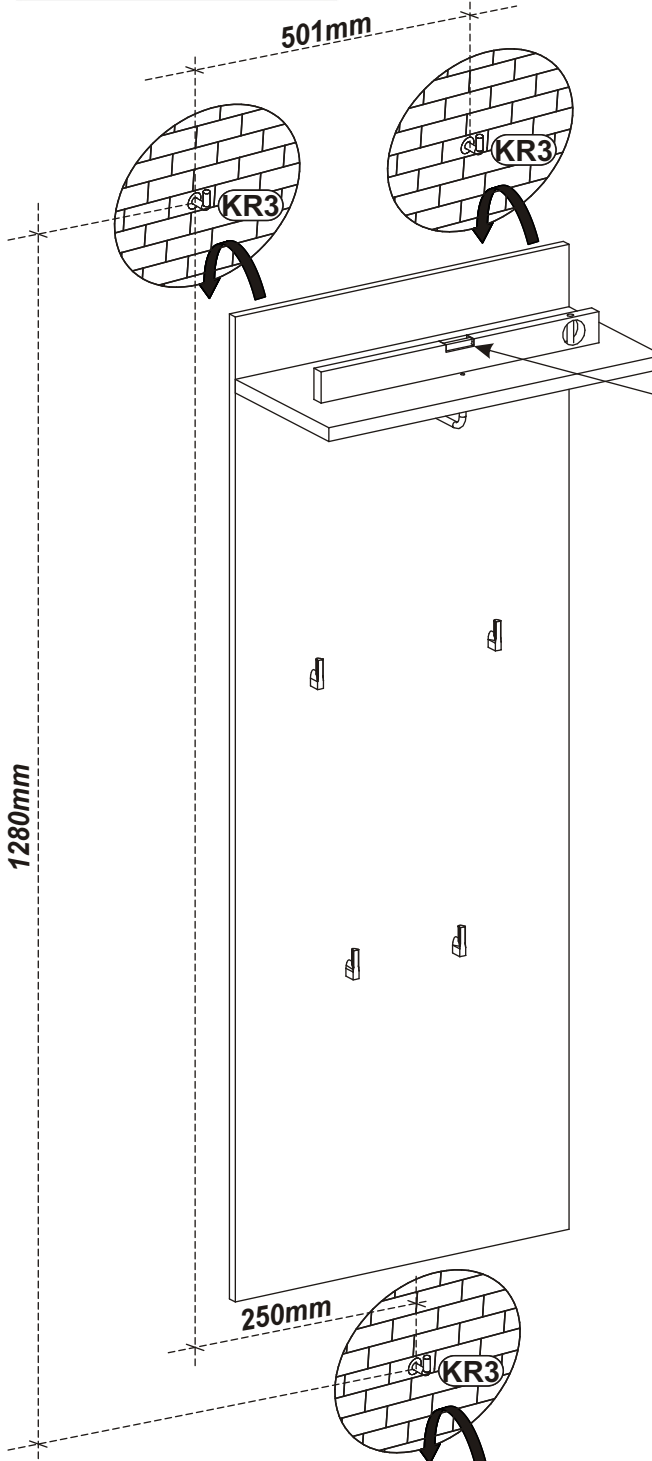
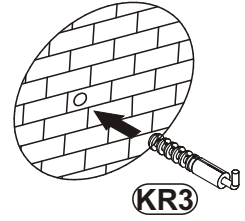
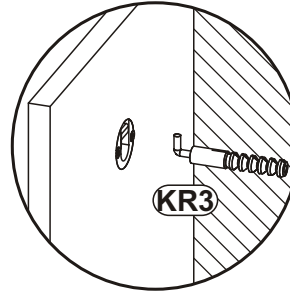
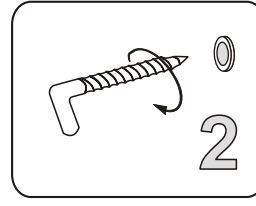
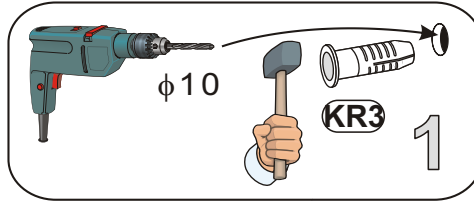
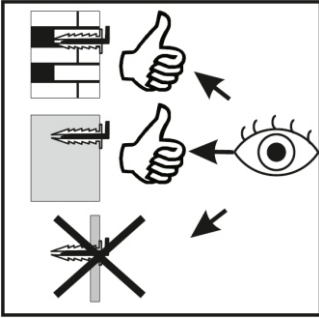
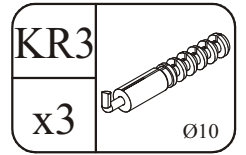
GUSTAVO TYP-D

4

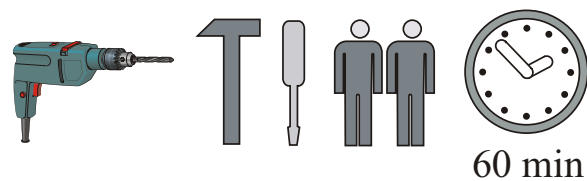
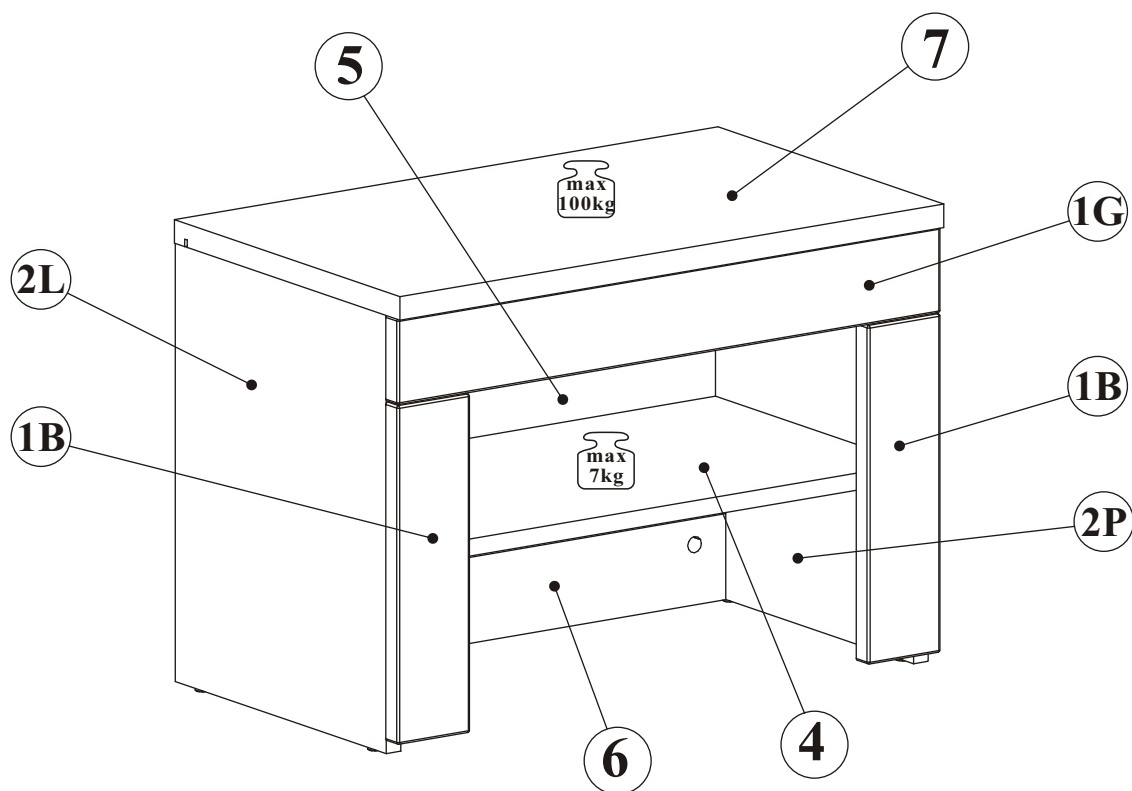
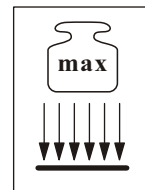


GUSTAVO TYP-D

5



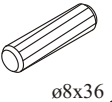
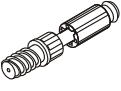


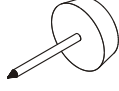


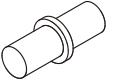
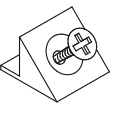
GUSTAVO TYP-F

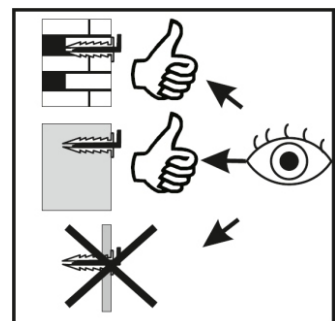
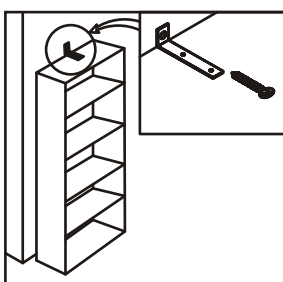
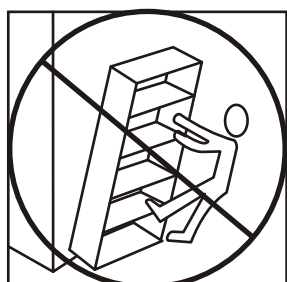
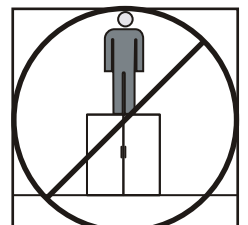
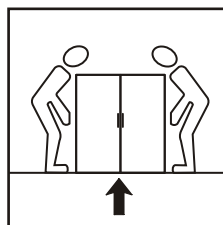
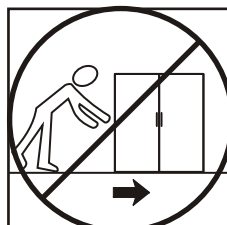
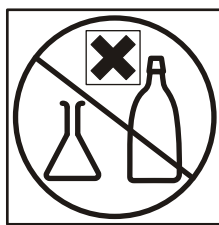
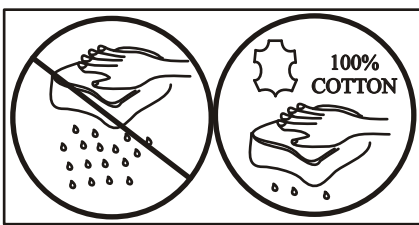
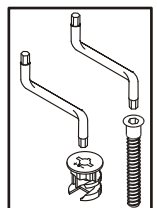
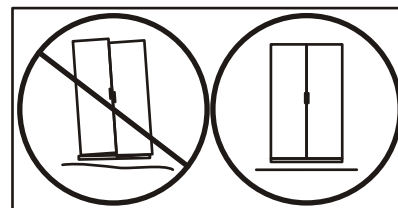
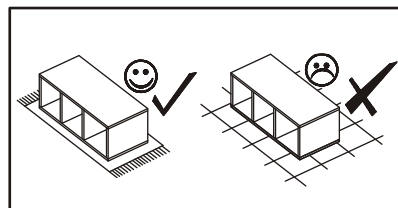
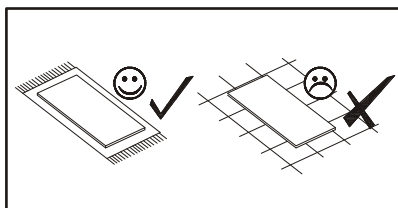
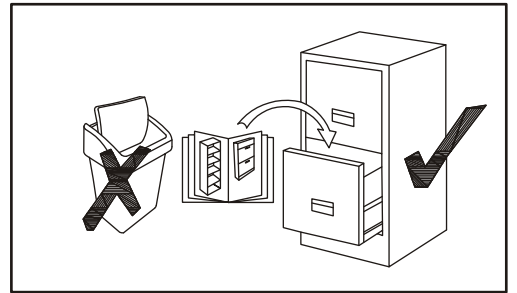
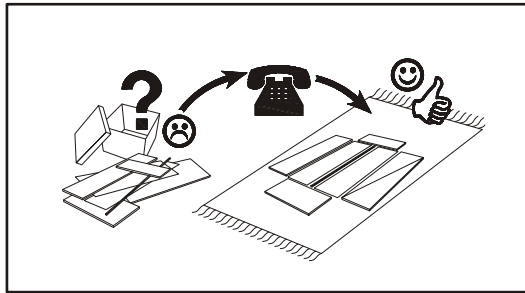
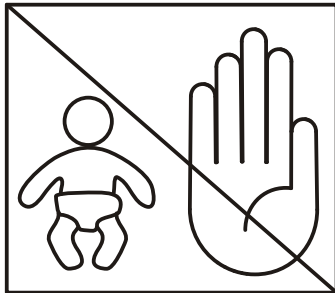
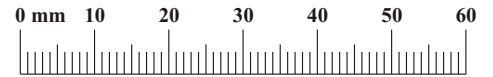


60 min

NO	Dim.			Col-No	Qty
1G	600	80	19	1	1
1B	315	80	19	1	2
2L	408	330	16	1	1
2P	408	330	16	1	1
4	567	308	16	1	1
5	408	579	3	1	1
6	567	80	16	1	1
7	601	353	22	1	1

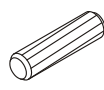
GUSTAVO TYP-F


A1 x14  ø8x36	B4 x13 	B5 x13  Ø15x12	G5 x13 	I2 x4 	G2 x1 
UP13 x5  UPØ3x16	G7 x4 	S1 x4 			

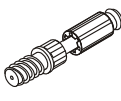


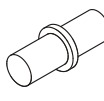
GUSTAVO TYP-F


1

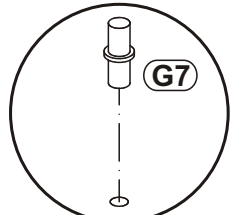
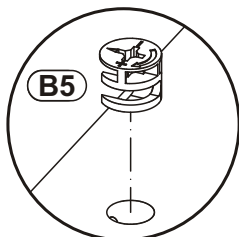
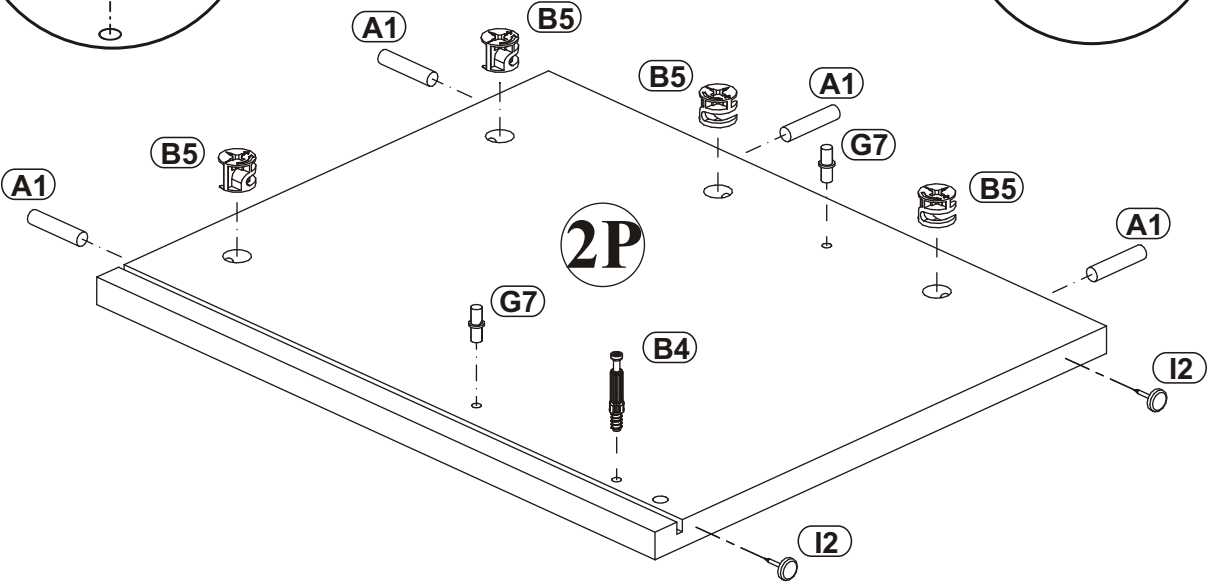
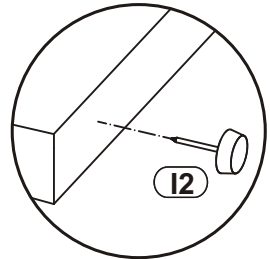
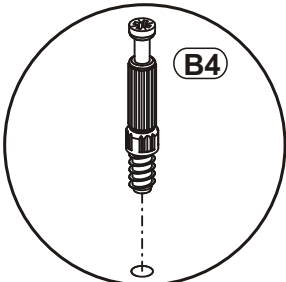
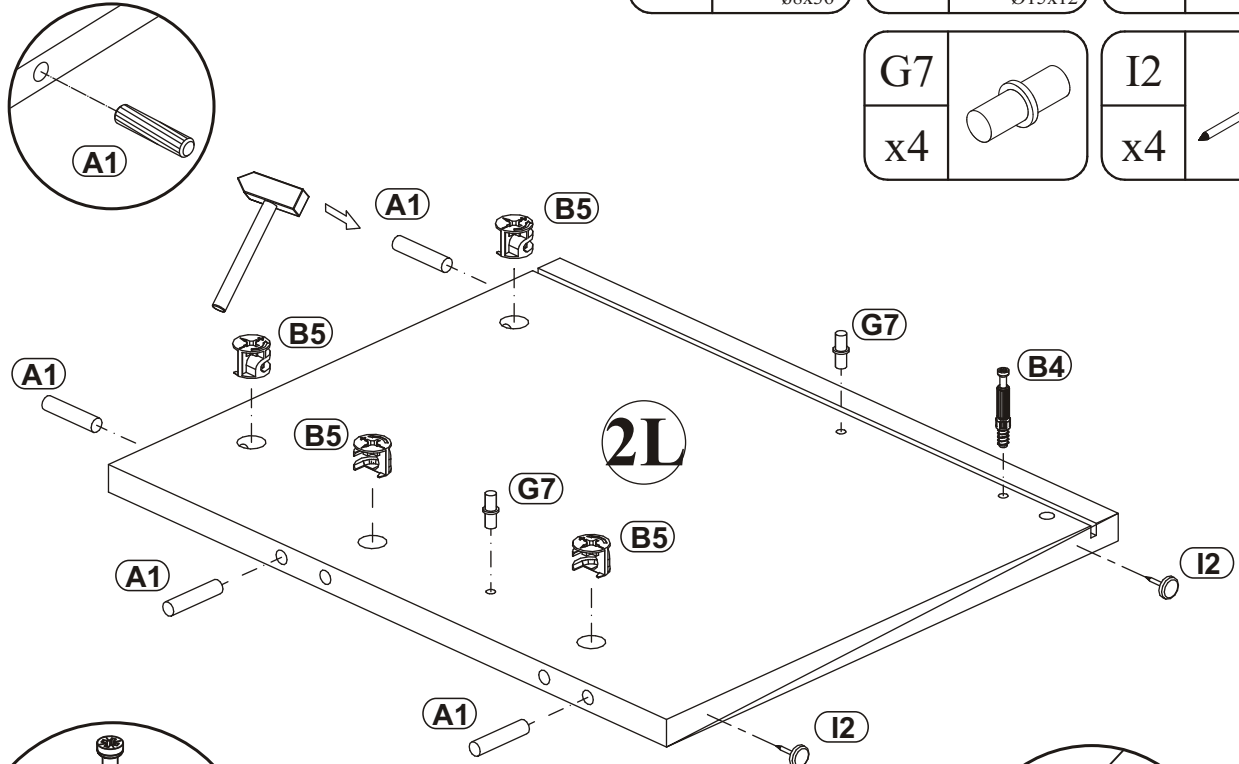
A1	
x8	∅8x36

B5	
x8	∅15x12

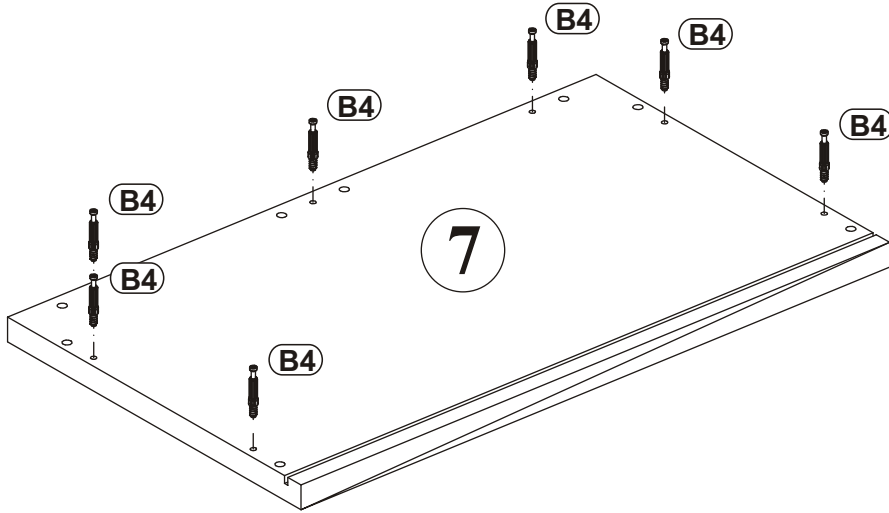
B4	
x2	

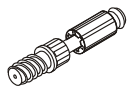
G7	
x4	

I2	
x4	

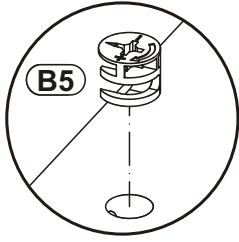
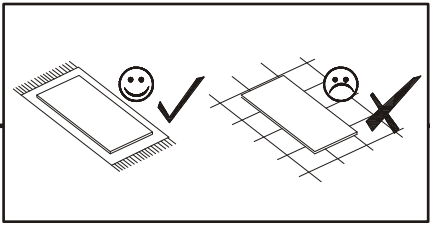
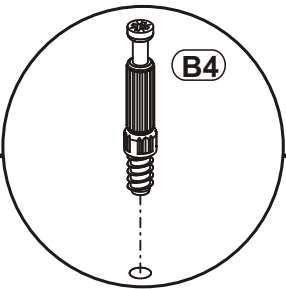



2

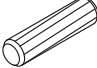


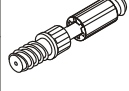
B4	
x7	

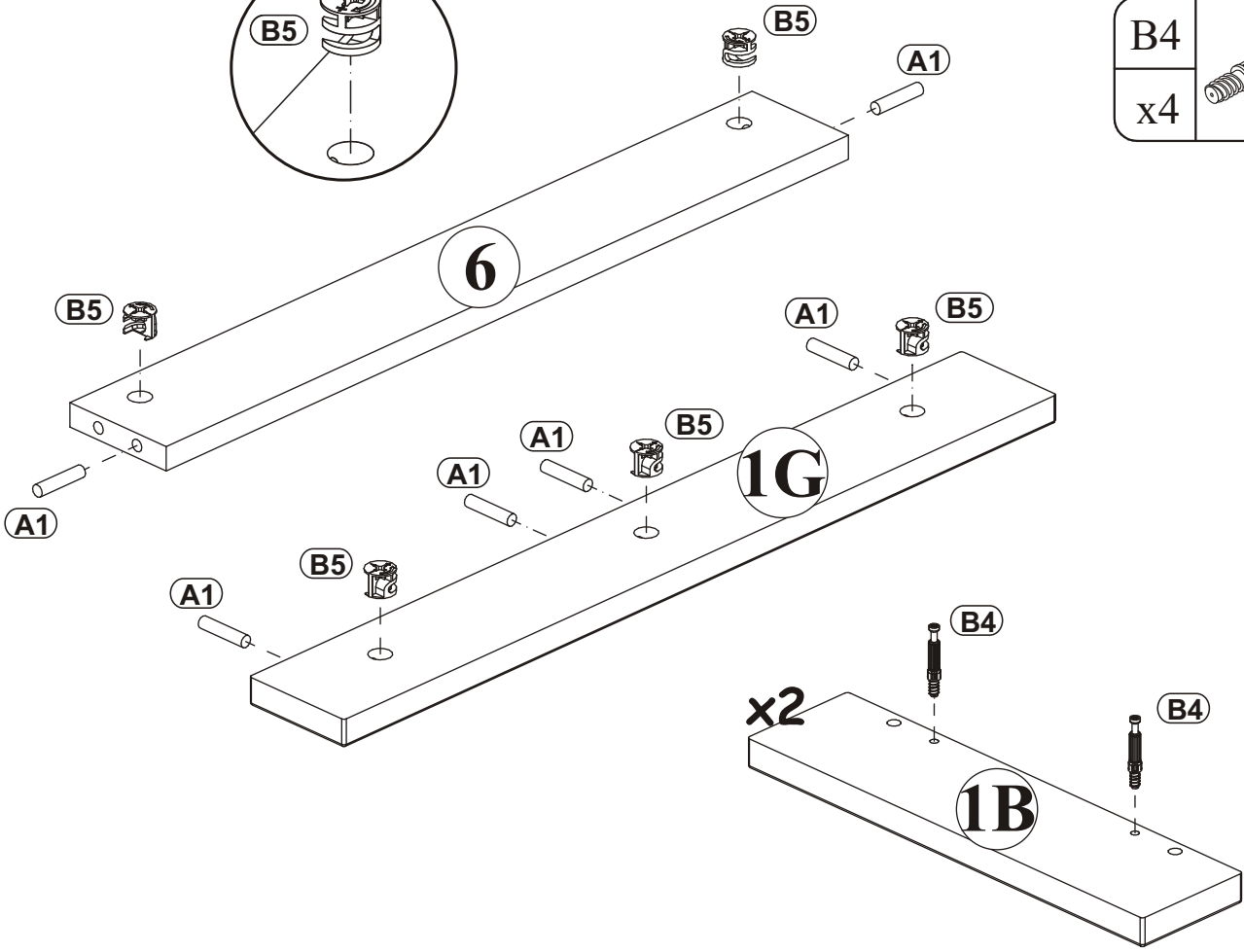
3

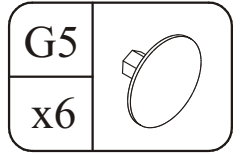


B5	
x5	Ø15x12

A1	
x6	ø8x36

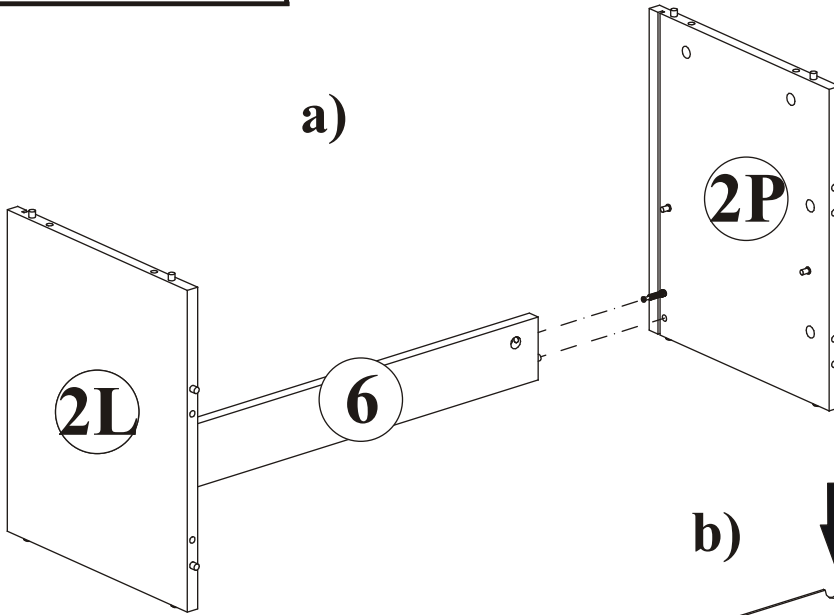
B4	
x4	



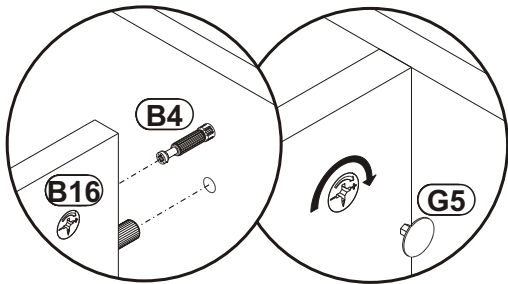
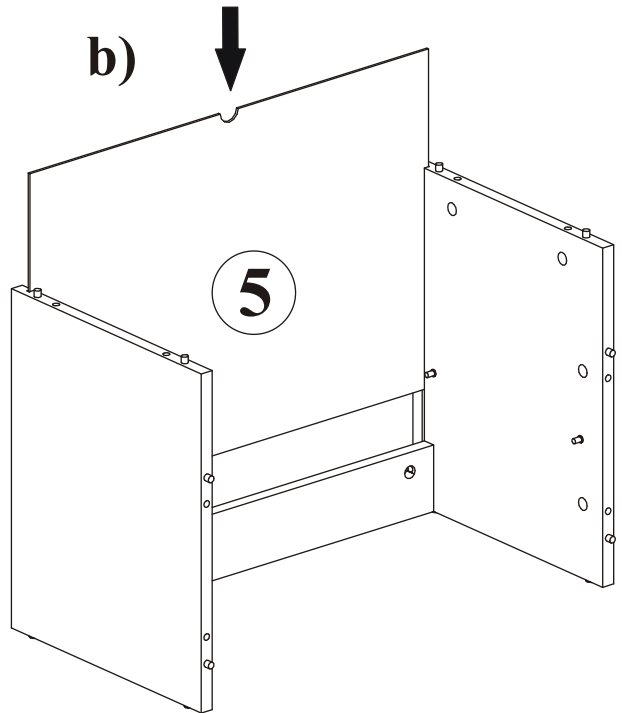


4

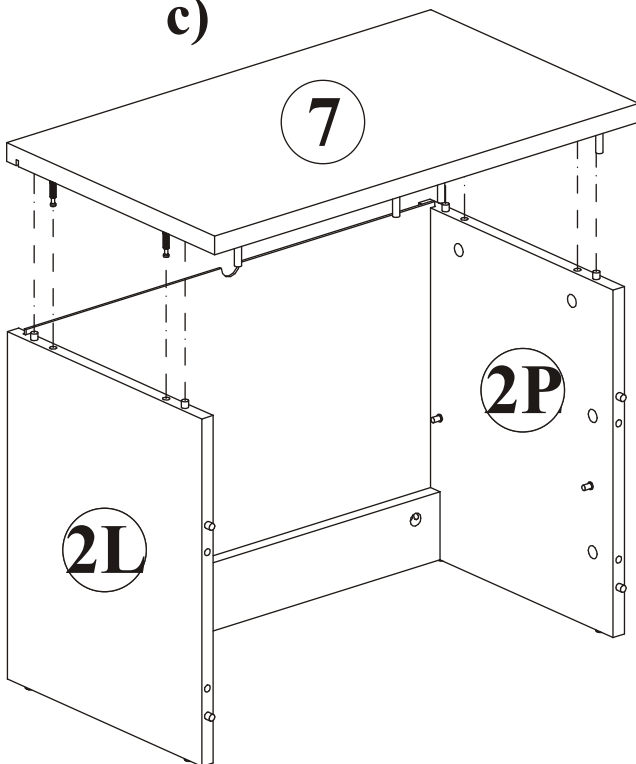
a)



b)

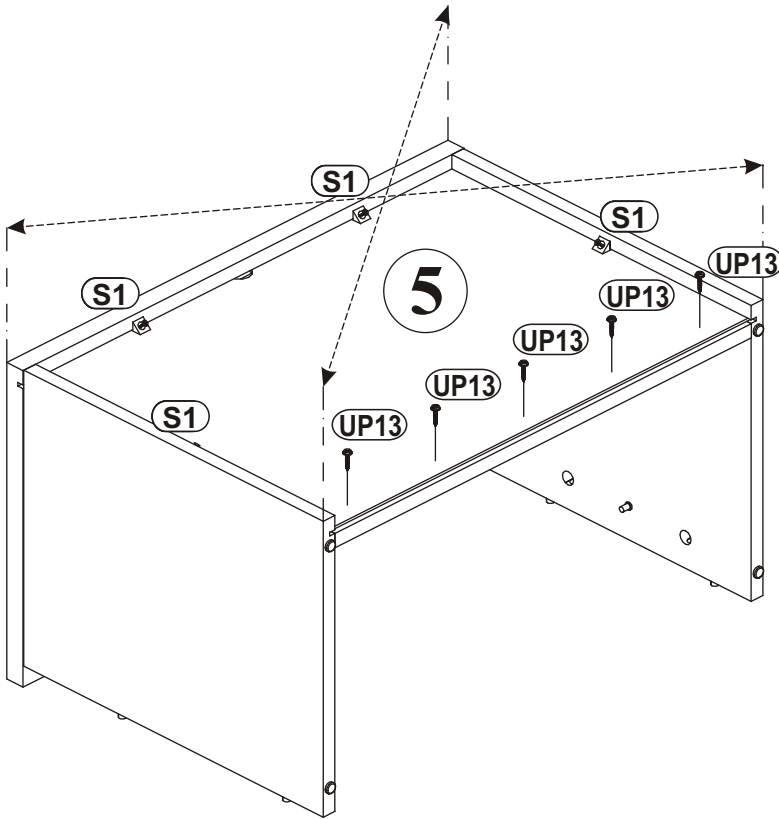


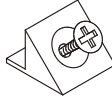

c)

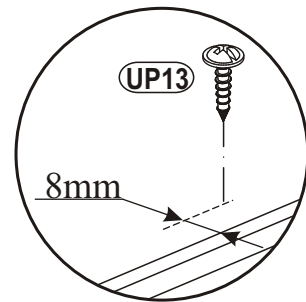
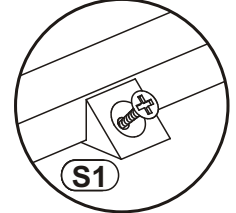
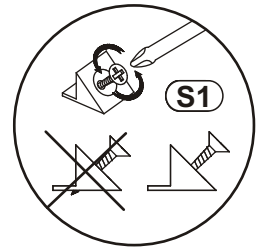


GUSTAVO TYP-F

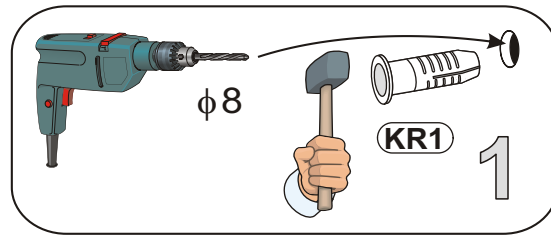
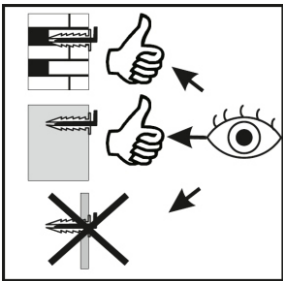
5

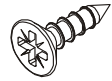
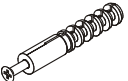


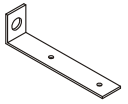
S1		UP13	
x4		x5	UPØ3x16

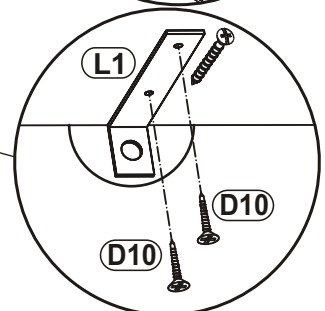
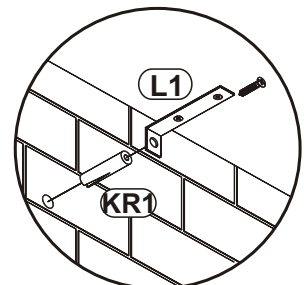
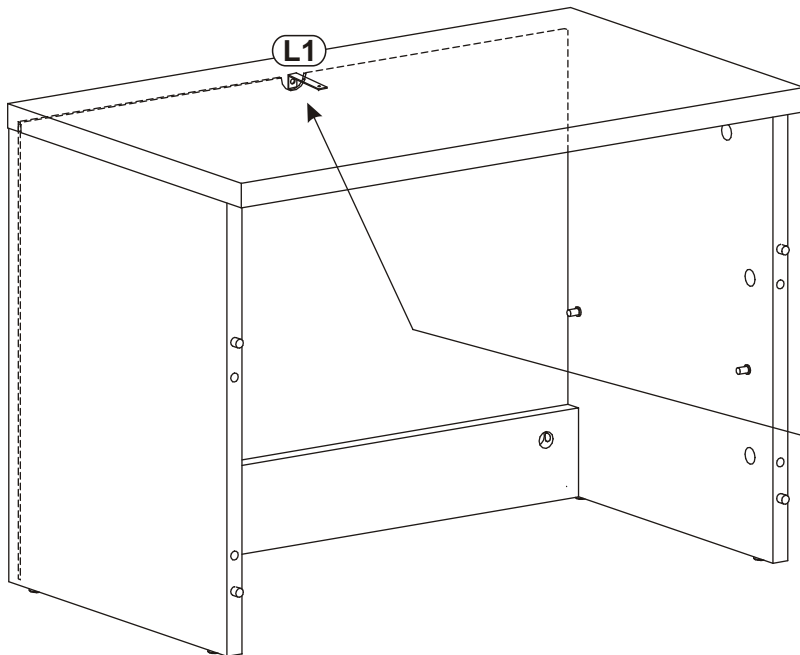


6

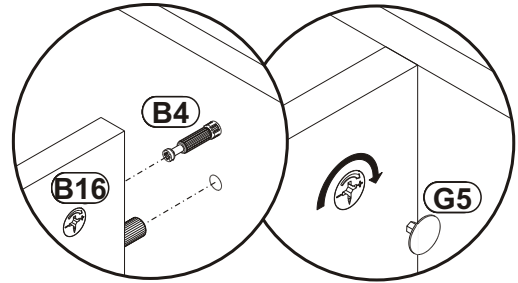
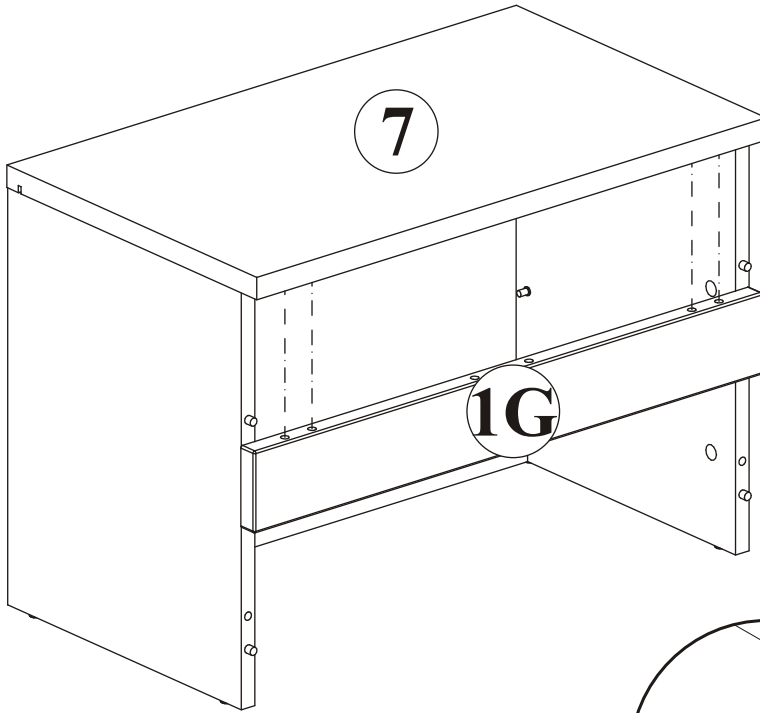
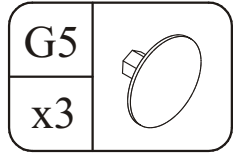


D10		KR1	
x2	USØ3,5x13	x1	

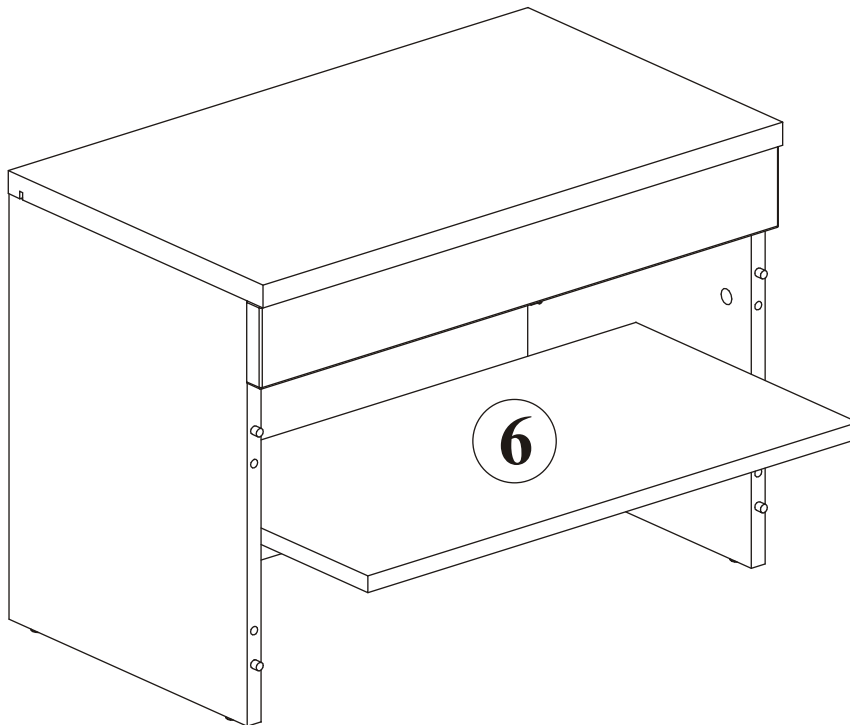
L1	
x1	

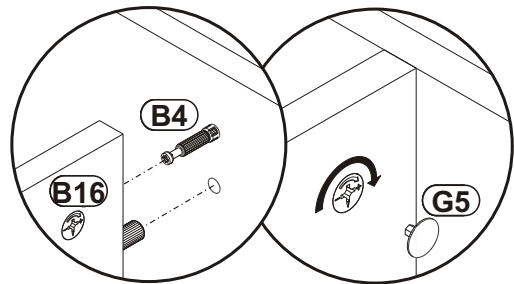
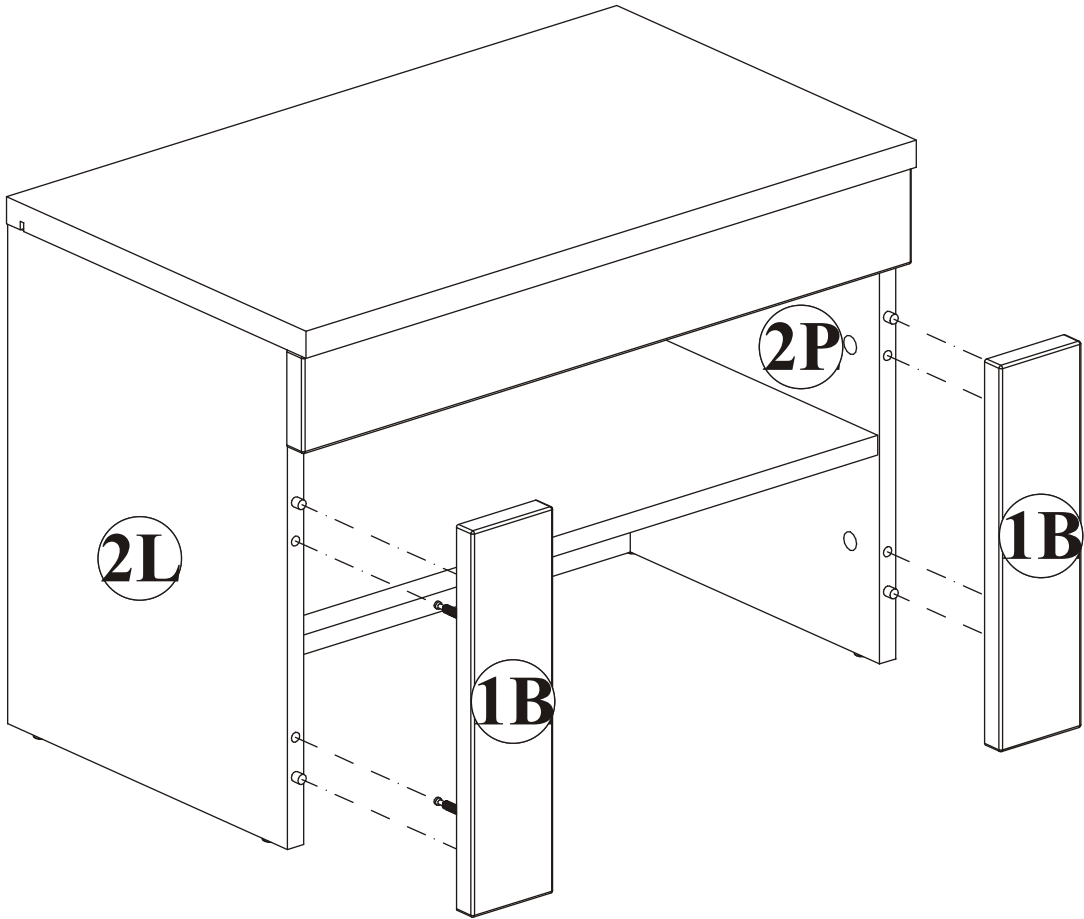
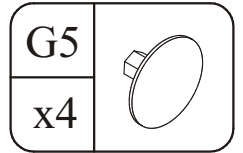


7

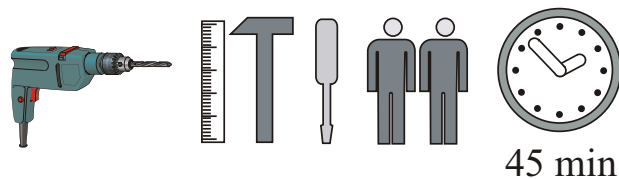
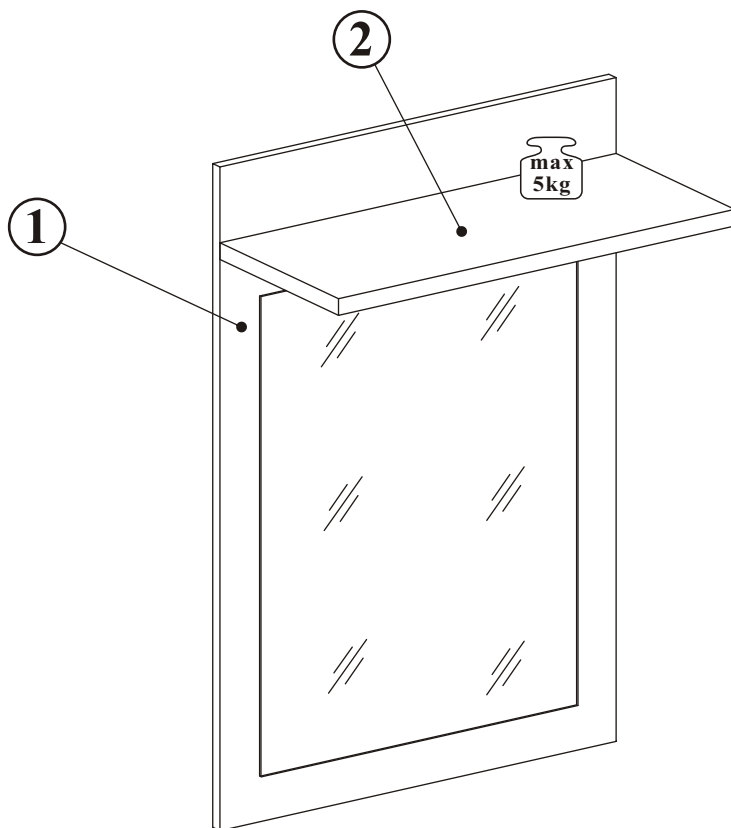
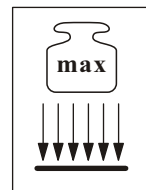


8





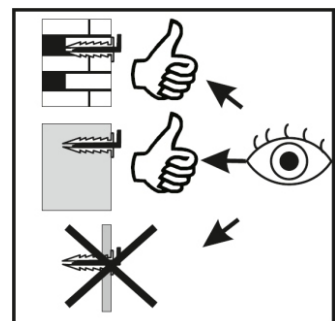
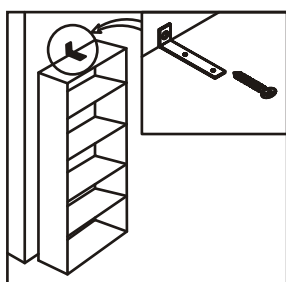
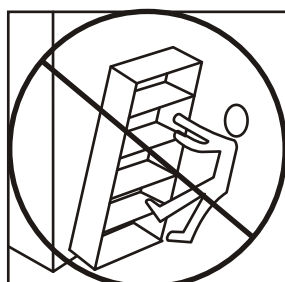
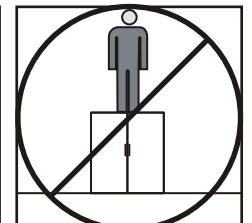
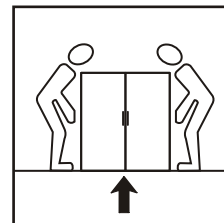
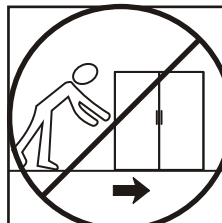
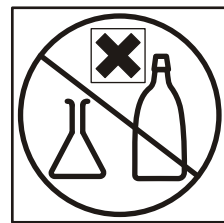
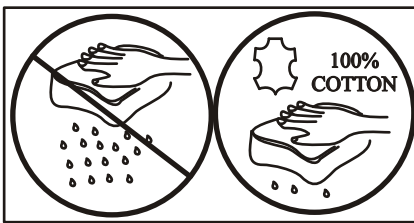
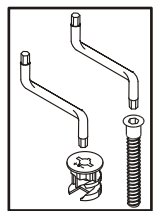
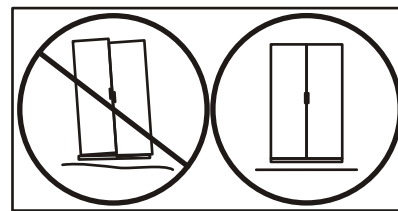
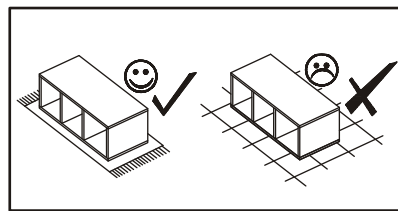
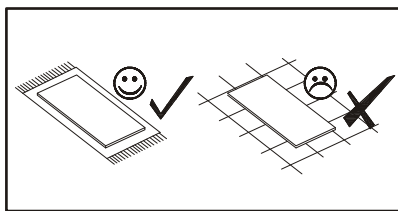
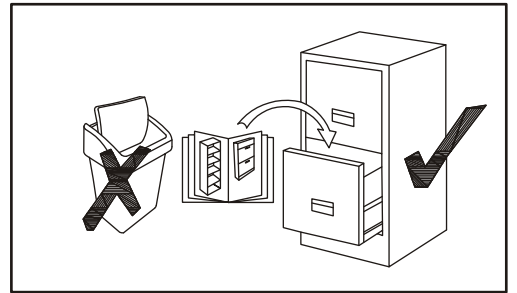
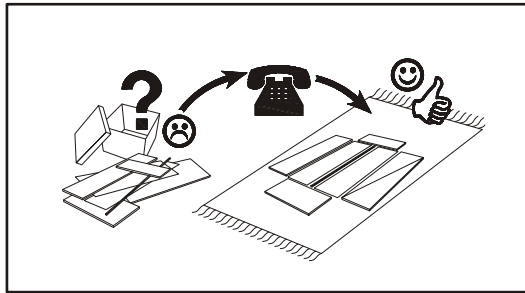
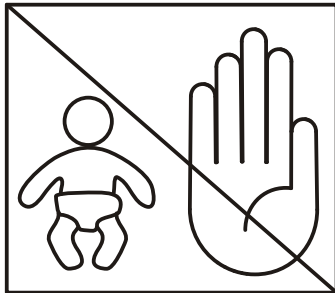
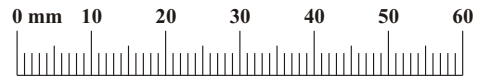
GUSTAVO TYP-E



NO	Dim.			Col-No	Qty
1	876	601	16	1	1
2	601	260	22	1	1

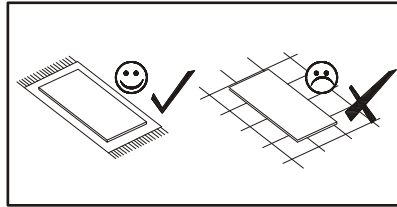
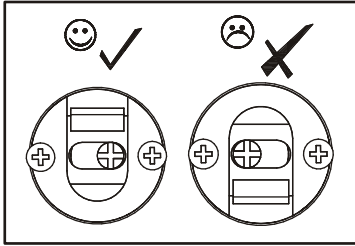
GUSTAVO TYP-E

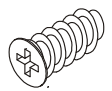
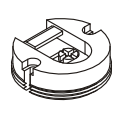
A1 x3 ø8x36	B11 x2 Ø7x50	G4 x2	D28 x6 ESØ6x9,5	ZM1 x3	G2 x1
KR3 x3 Ø10					

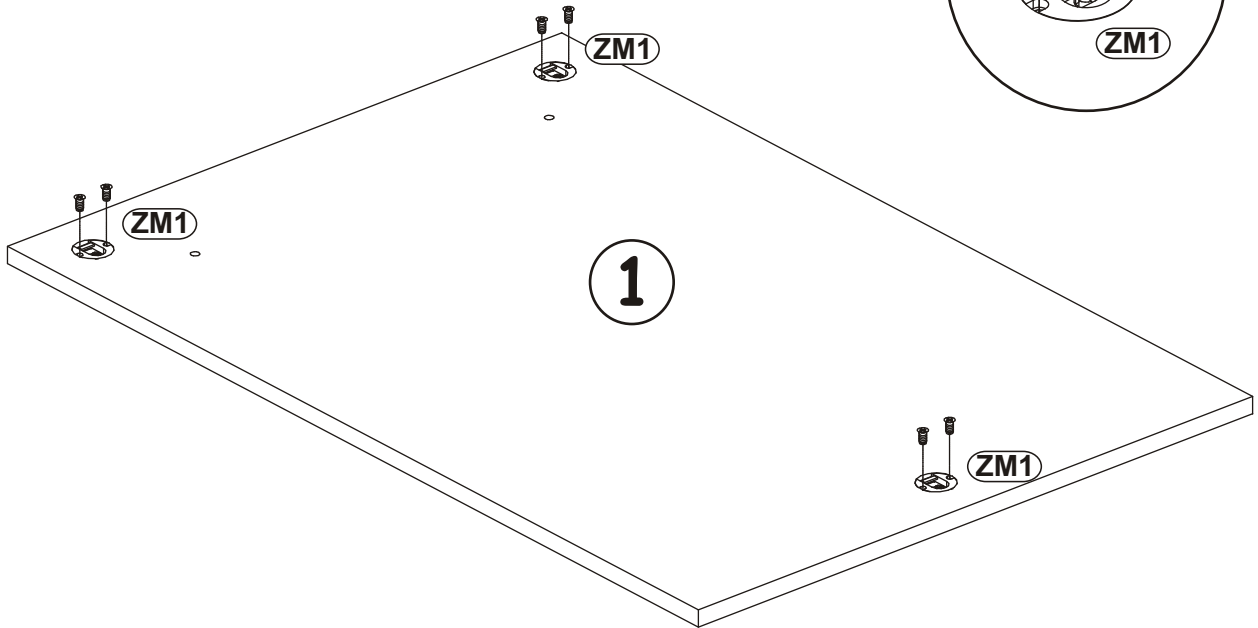
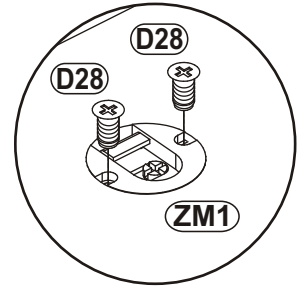


GUSTAVO TYP-E

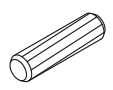
1

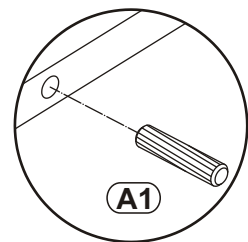
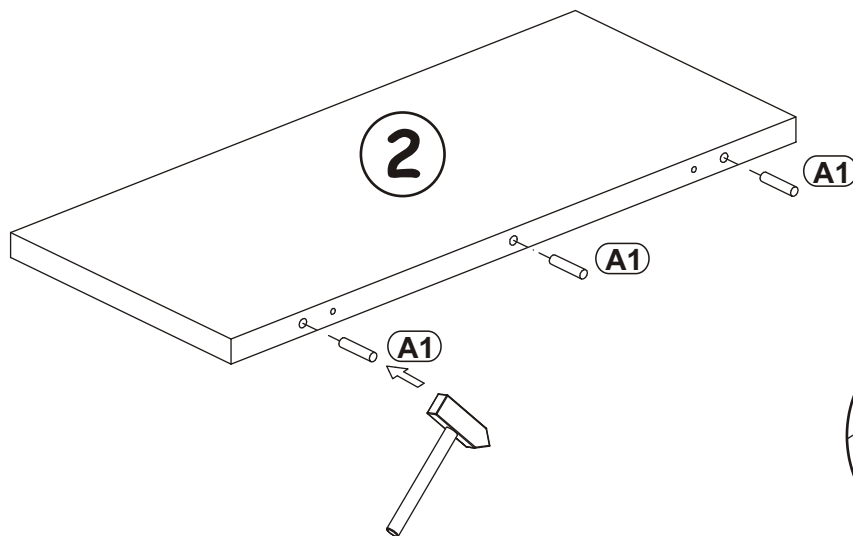


D28		ZM1	
x6	ESØ6x9,5	x3	





2

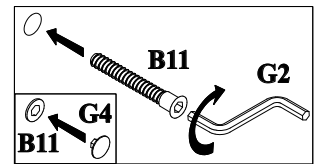
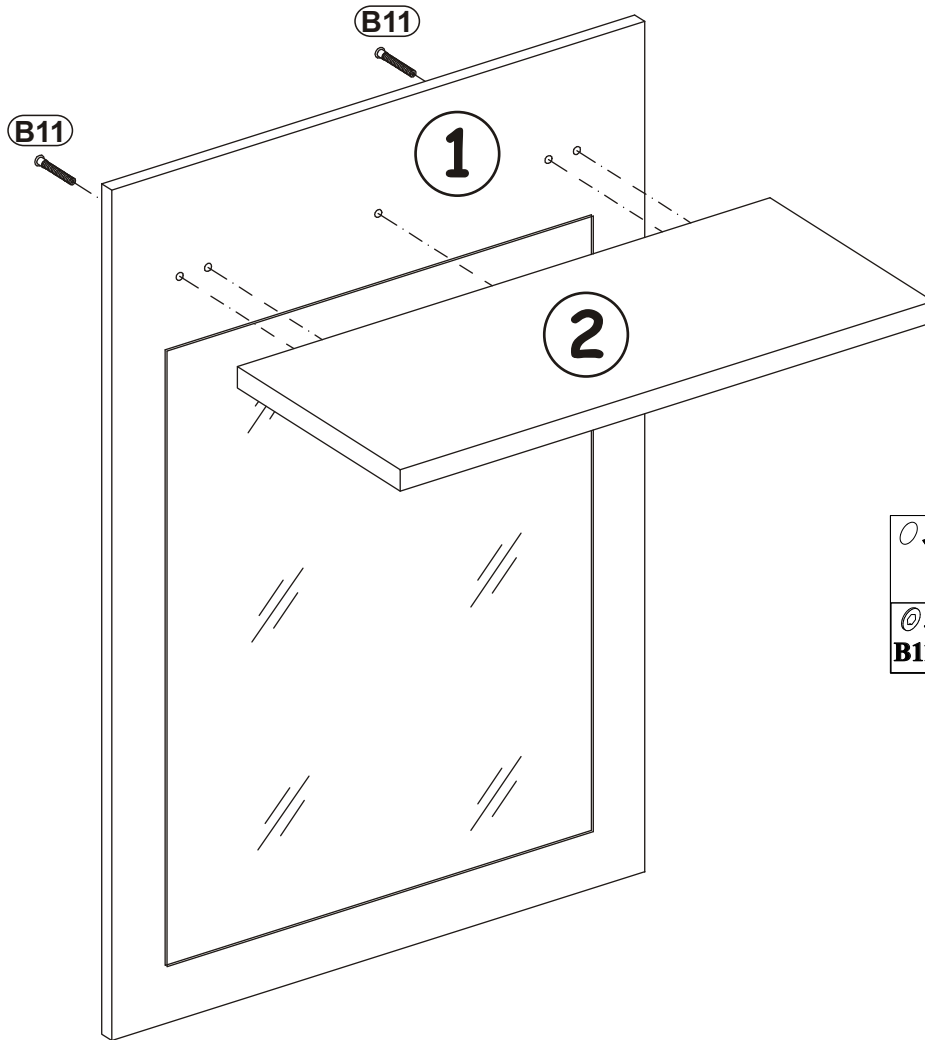
A1	
x3	ø8x36



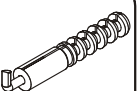
3

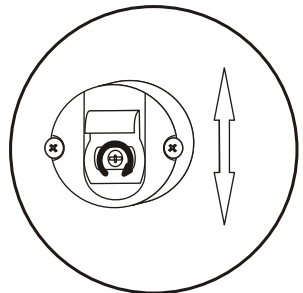
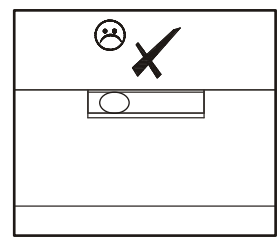
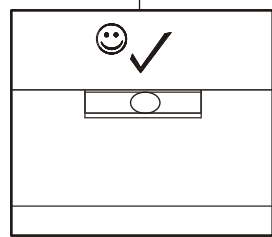
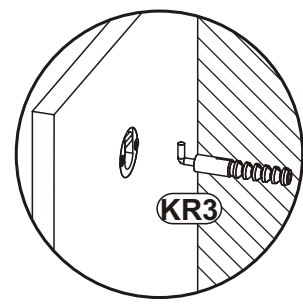
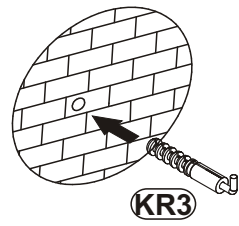
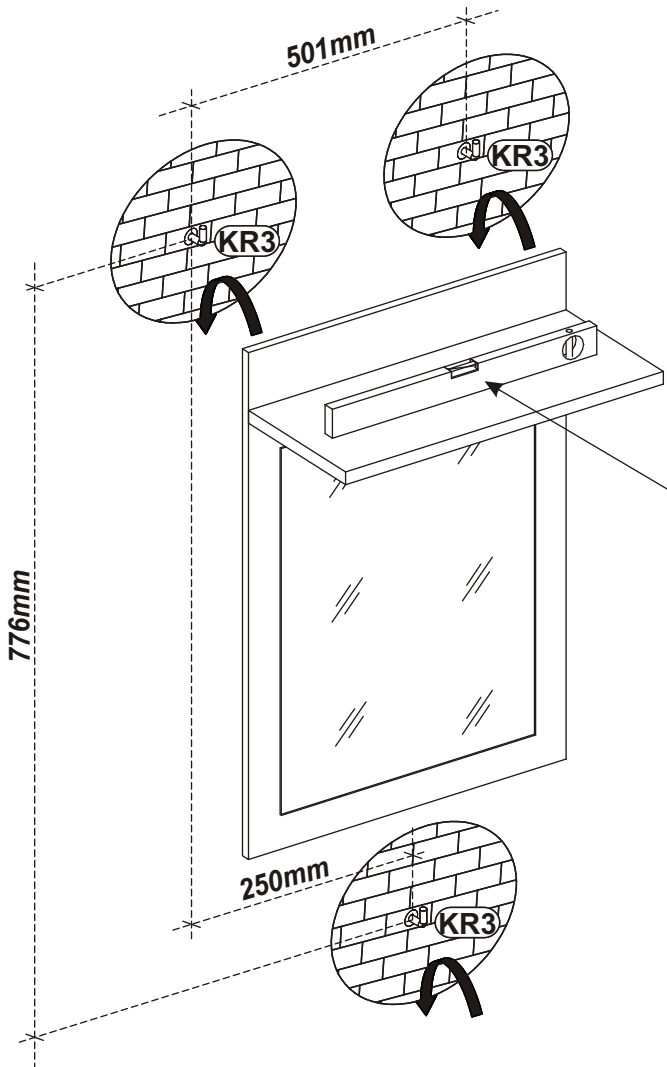
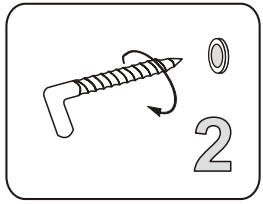
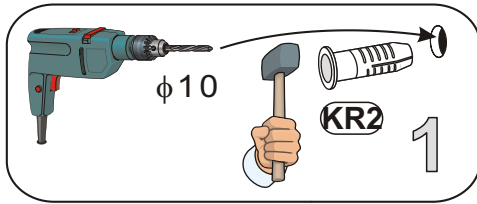
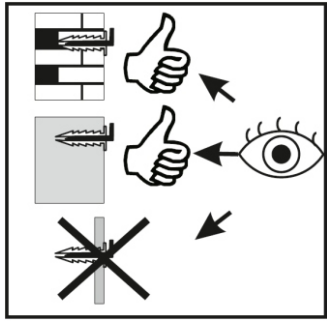
B11	
x2	Ø7x50

G4	
x2	

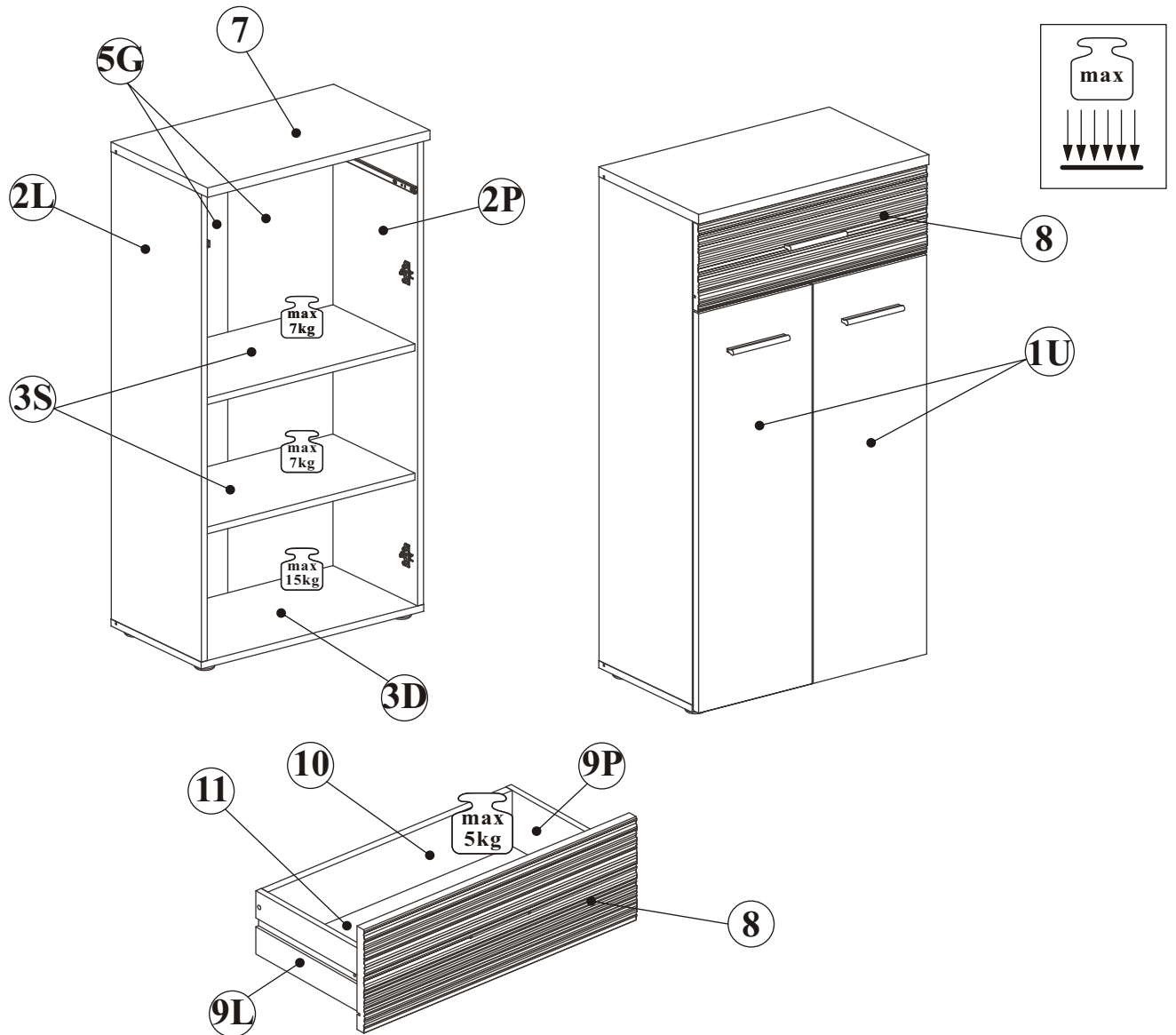


4

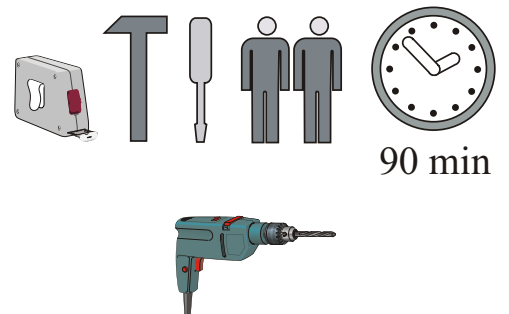
KR3	
x3	Ø10



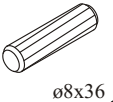
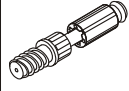
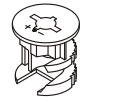

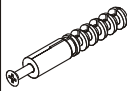
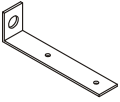
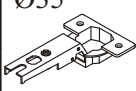
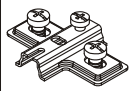
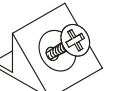

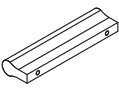







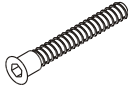






GUSTAVO TYP-G

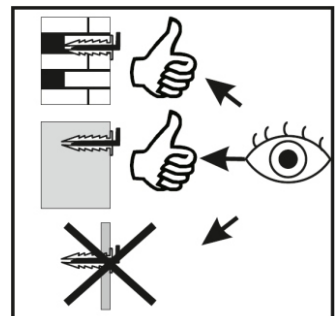
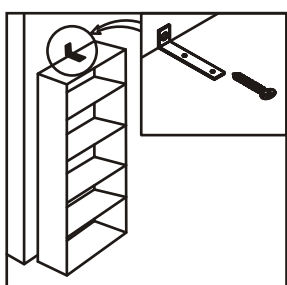
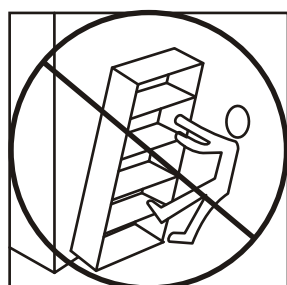
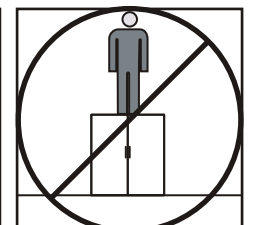
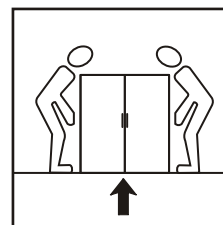
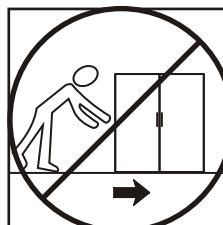
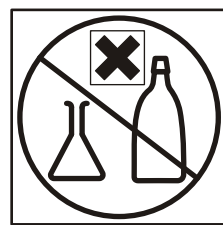
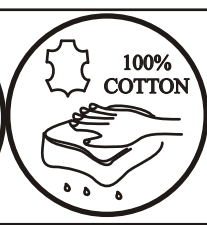
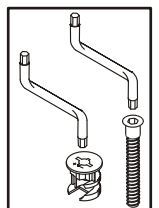
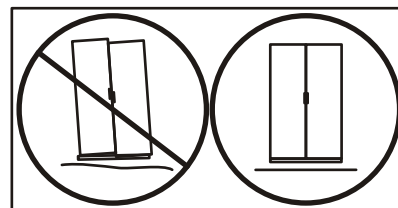
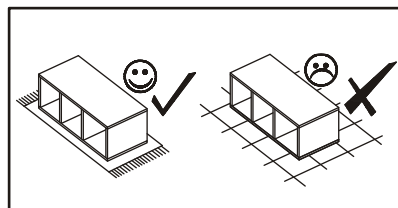
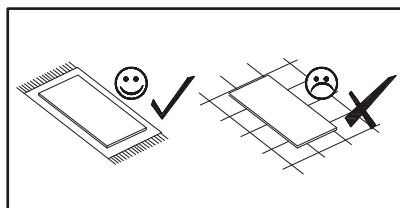
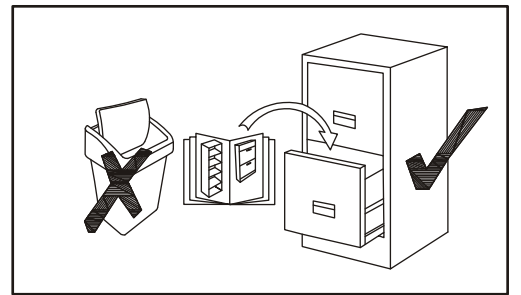
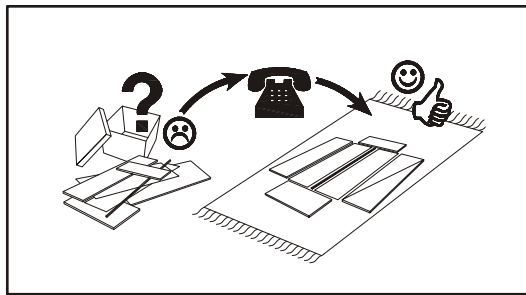
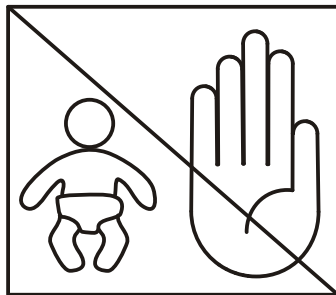
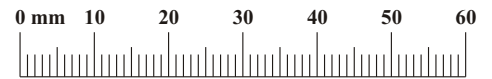


NO	Dim.			Col-No	Qty
1U	296	896	19	1	2
2L	1086	330	16	1	1
2P	1086	330	16	1	1
3D	601	330	16	1	1
3S	567	300	16	1	2
5G	1098	289,5	3	1	2
7	601	353	22	1	1
8	596	196	19	1	2
9L	280	120	12	1	1
9P	280	120	12	1	1
10	535	106	16	1	1
11	546	283	3	1	2



GUSTAVO TYP-G

A1 x12  Ø8x36	B4 x6 	B5 x4  Ø15x12	G5 x4 	KR1 x1 	L1 x1 
E21 x4 Ø35 H=0 	E2 x4 H=0 	S1 x13 	UP16 x6 UPØ4x35 	KL x3 L-148mm. 	G8 x2 Ø20 
UP13 x4 UPØ3x16 	I11 x4 Ø45, h=15 	UP11 x4 UPØ4x20 	D10 x10 USØ3,5x13 	G2 x1 	Z2 x4 Ø5 
B11 x6 Ø7x50 	G4 x6 	G7 x8 	H6 x1 L-280mm. 	D27 x4 ESØ6x8 	D18 x2 M4x9 
B7 x2 Ø15x10,3 					



GUSTAVO TYP-G

1

G7	
x8	

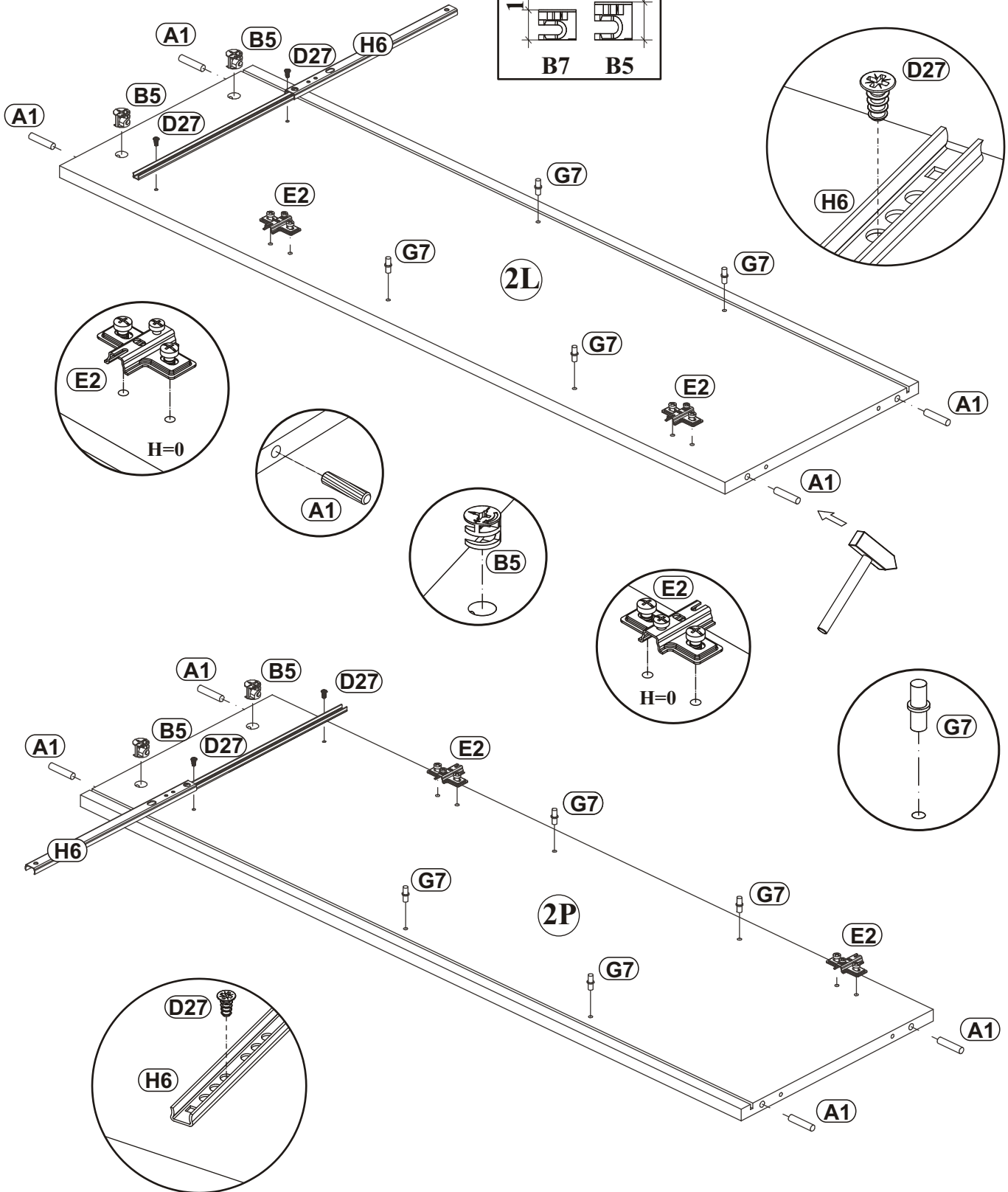
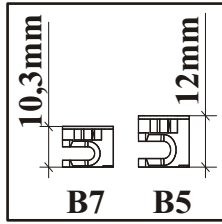
E2	
x4	H=0

A1	
x8	ø8x36

B5	
x4	Ø15x12


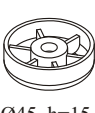
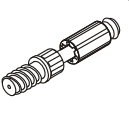
H6	
x1	L-280mm.

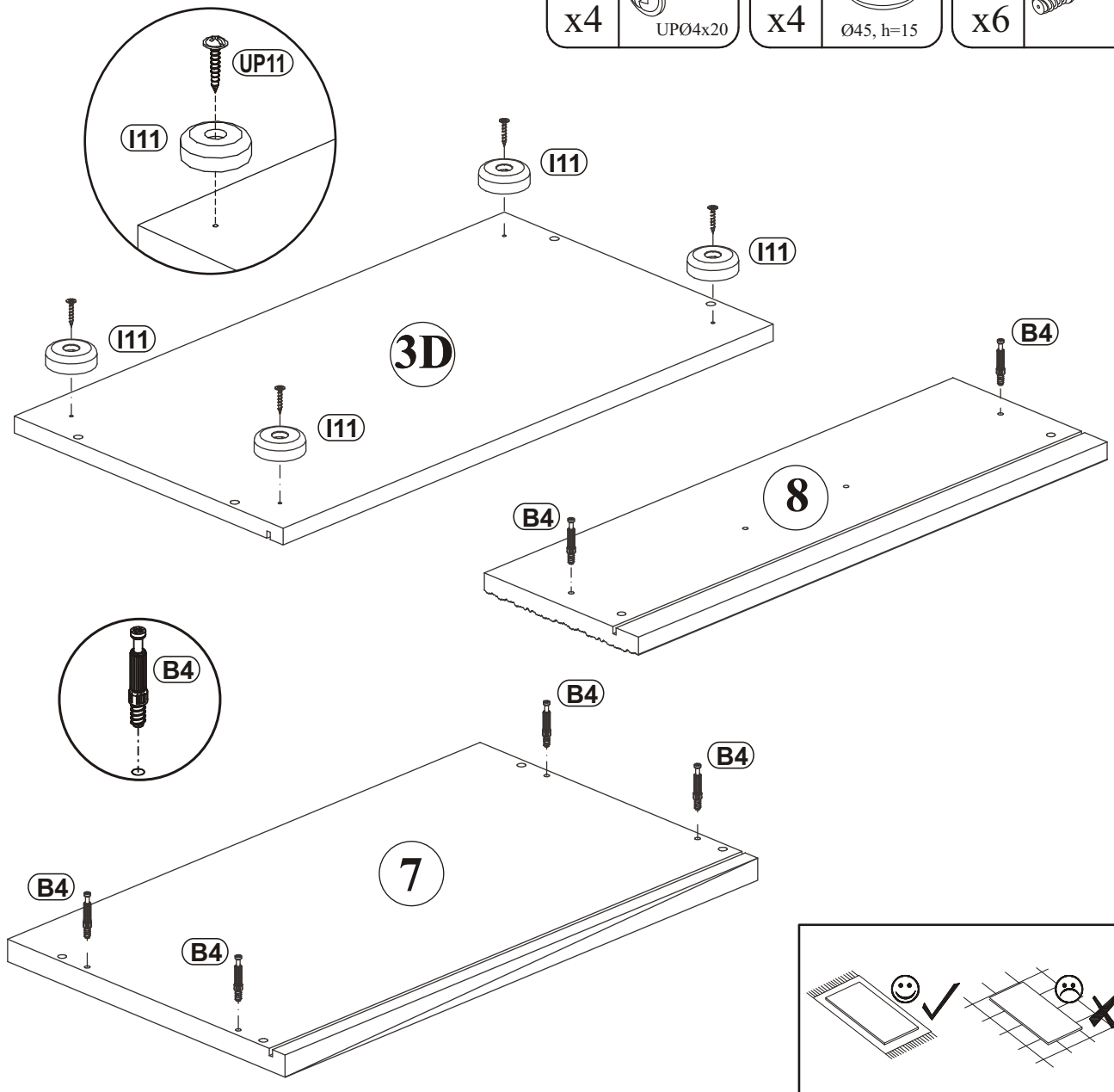
D27	
x4	ESØ6x8



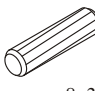

GUSTAVO TYP-G

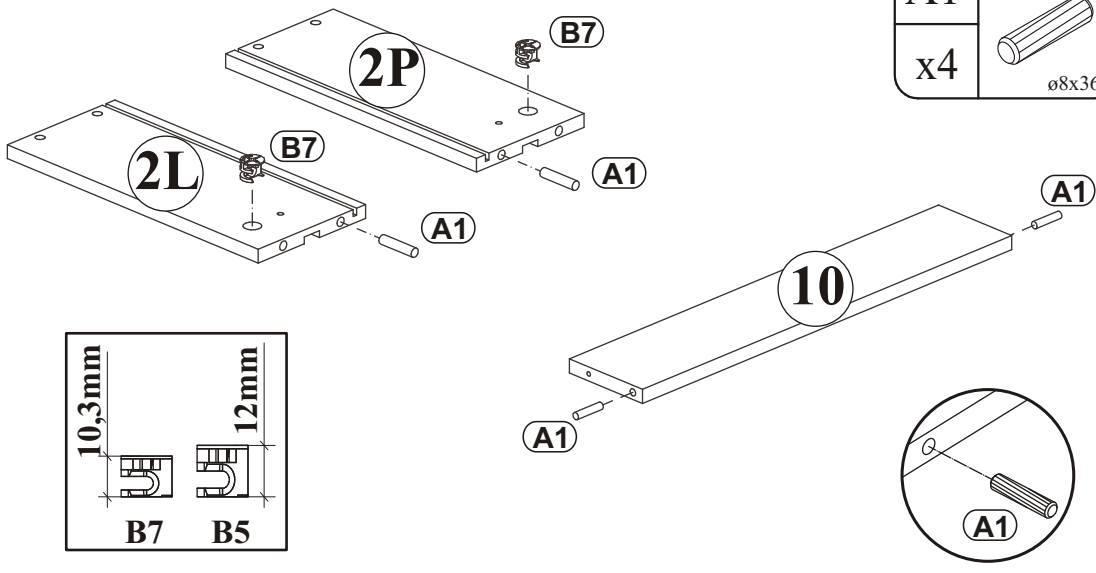
2

UP11		I11		B4	
x4	UPØ4x20	x4	Ø45, h=15	x6	




3

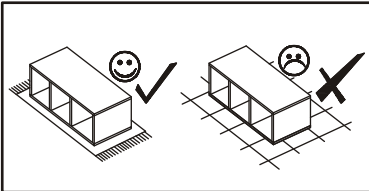
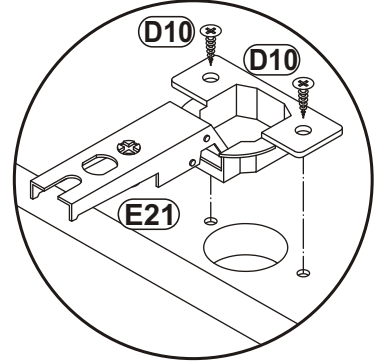
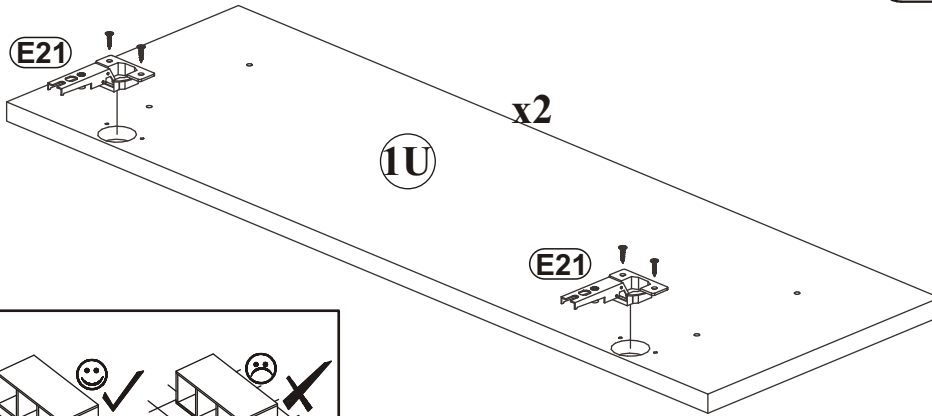
A1		B7	
x4	Ø8x36	x2	Ø15x10,3



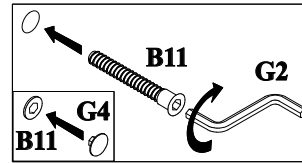
GUSTAVO TYP-G


4


E21	Ø35	D10	 USØ3,5x13
x4	H=0	x8	




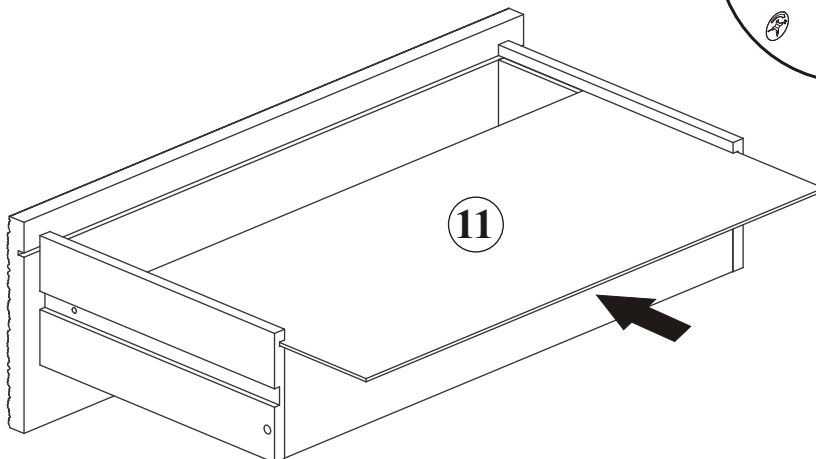
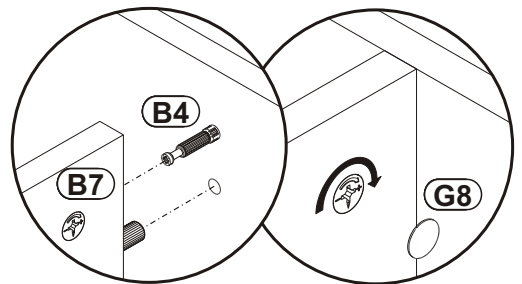
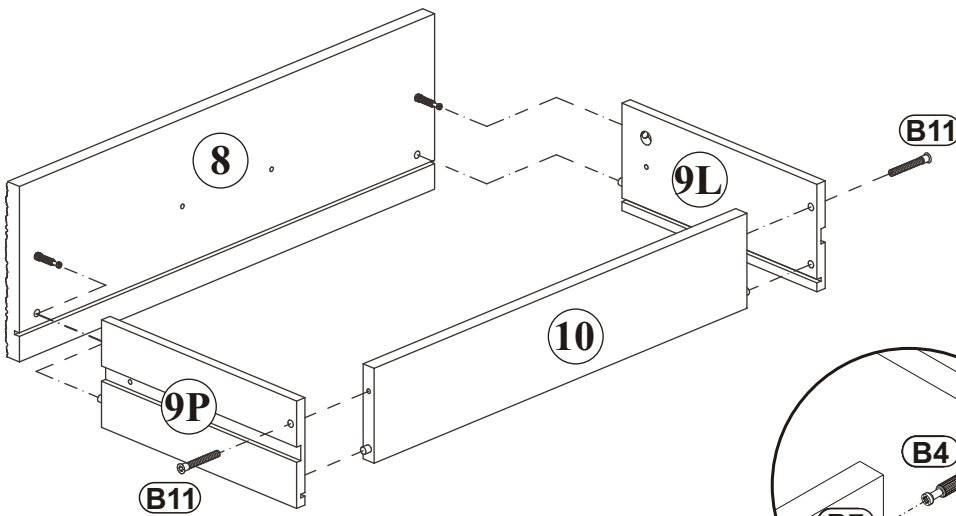
5



B11	 Ø7x50
x2	

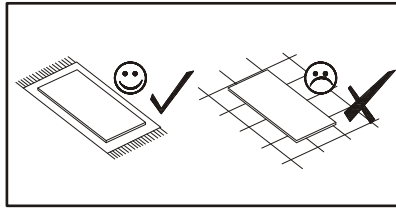
G4	
x2	

G8	 Ø20
x2	



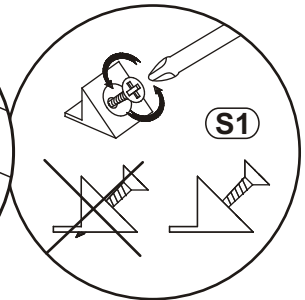
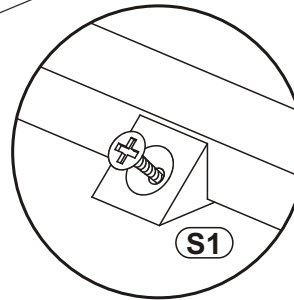
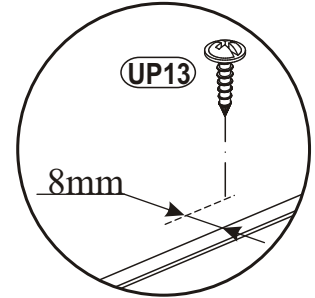
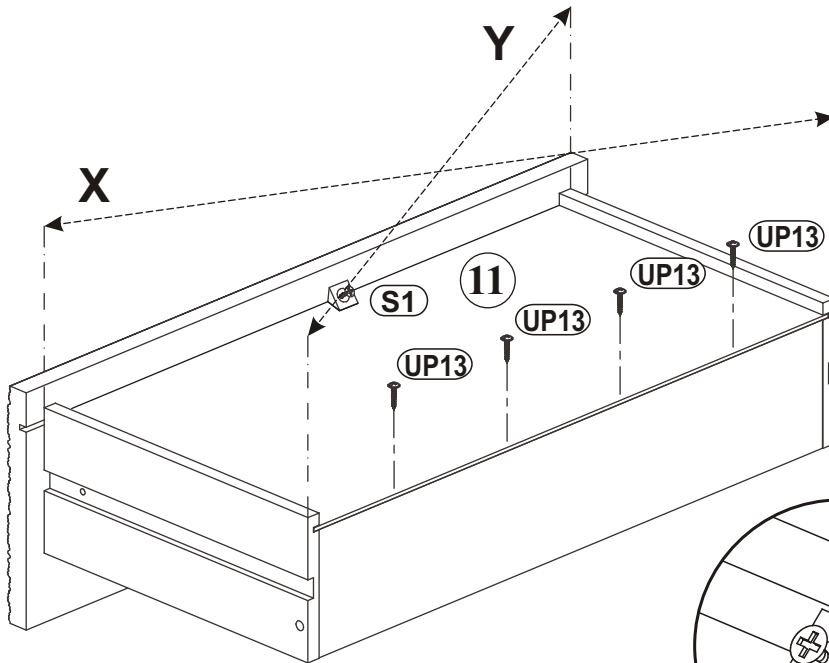
GUSTAVO TYP-G

6



S1	
x1	

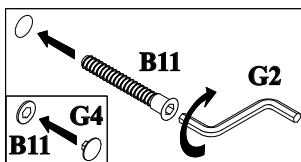
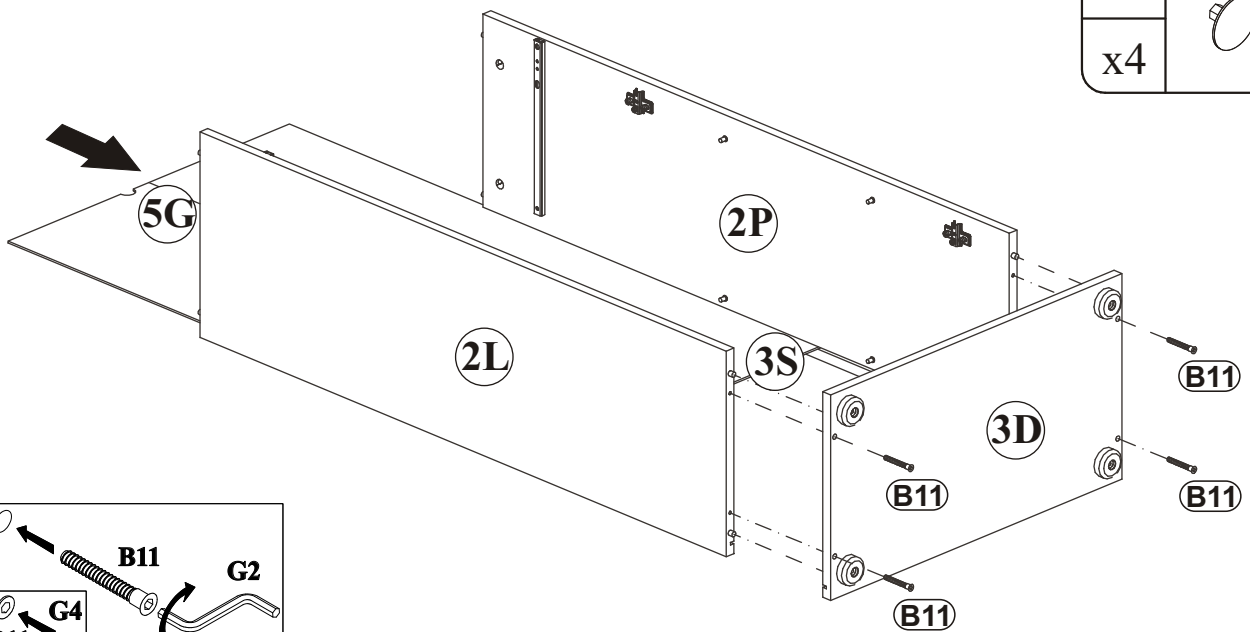
UP13	
x4	



7

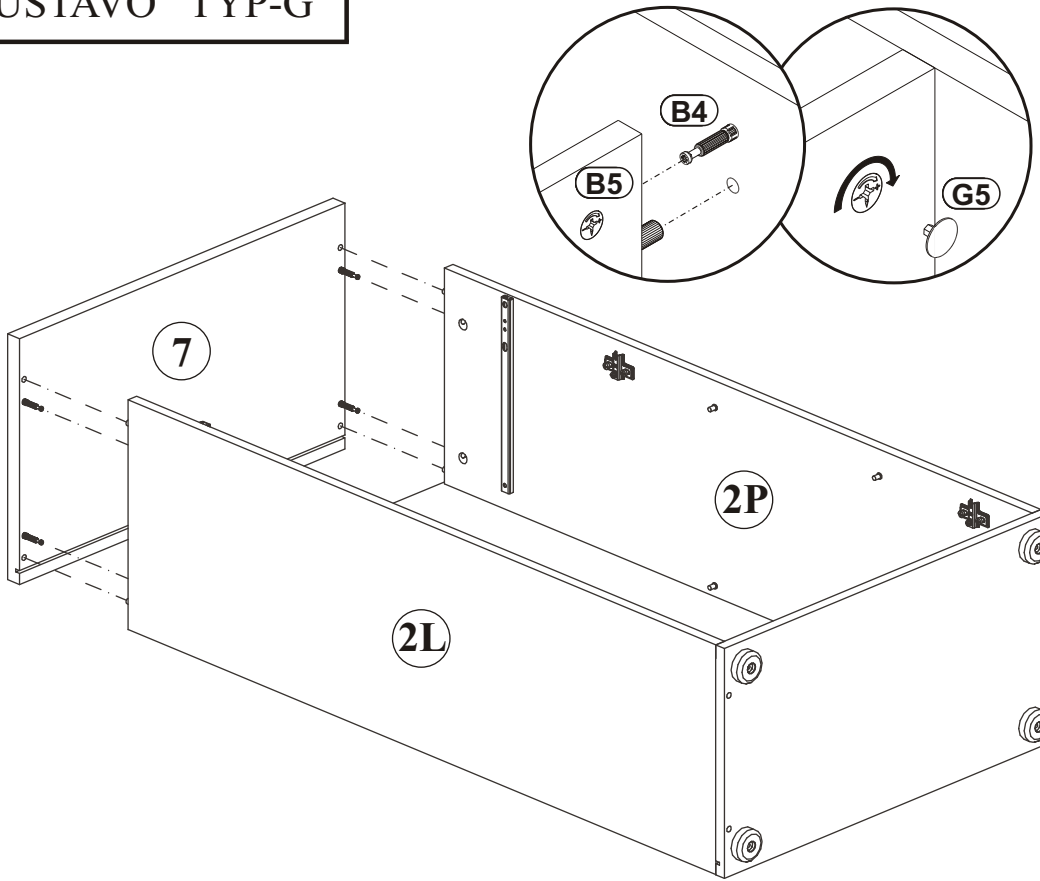
B11	
x4	$\varnothing 7 \times 50$


G4	
x4	



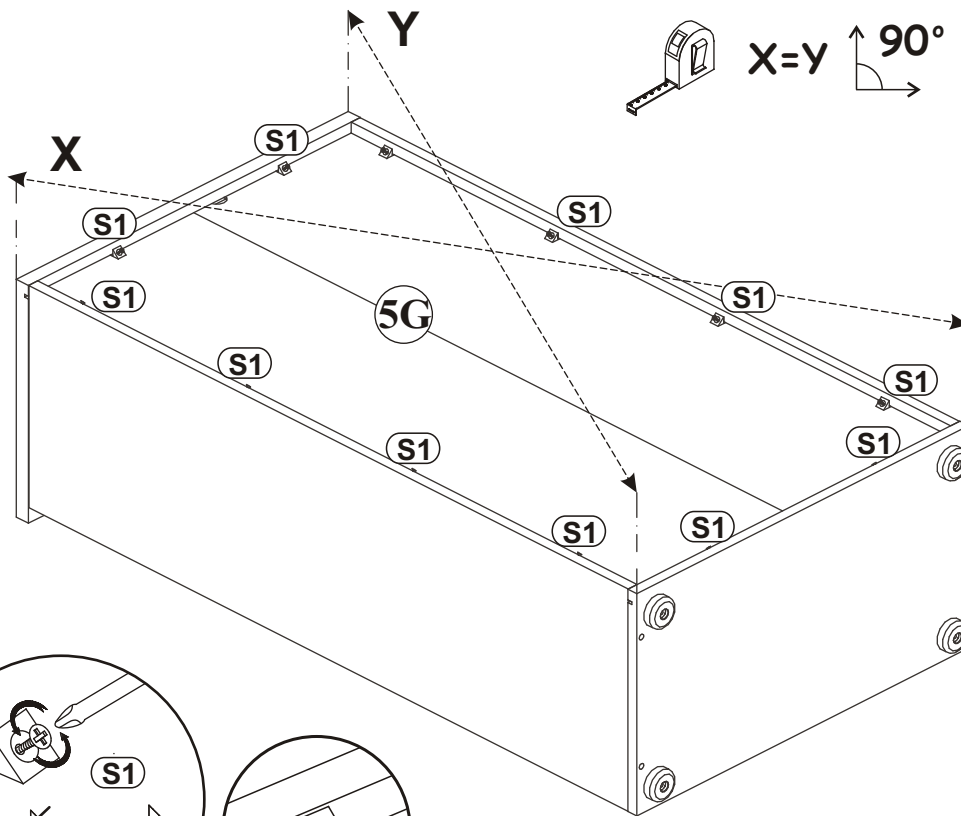
GUSTAVO TYP-G

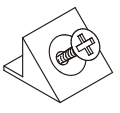
8

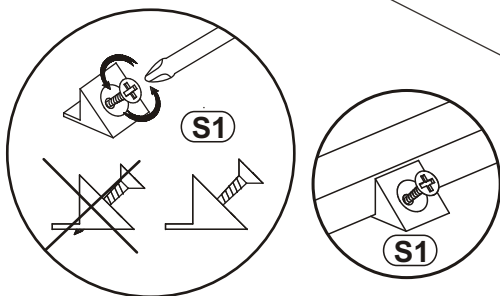


G5	
x4	

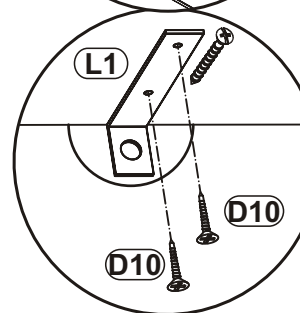
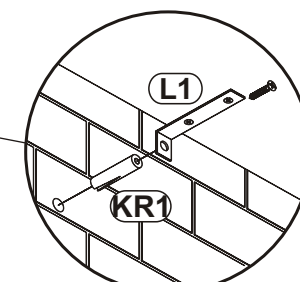
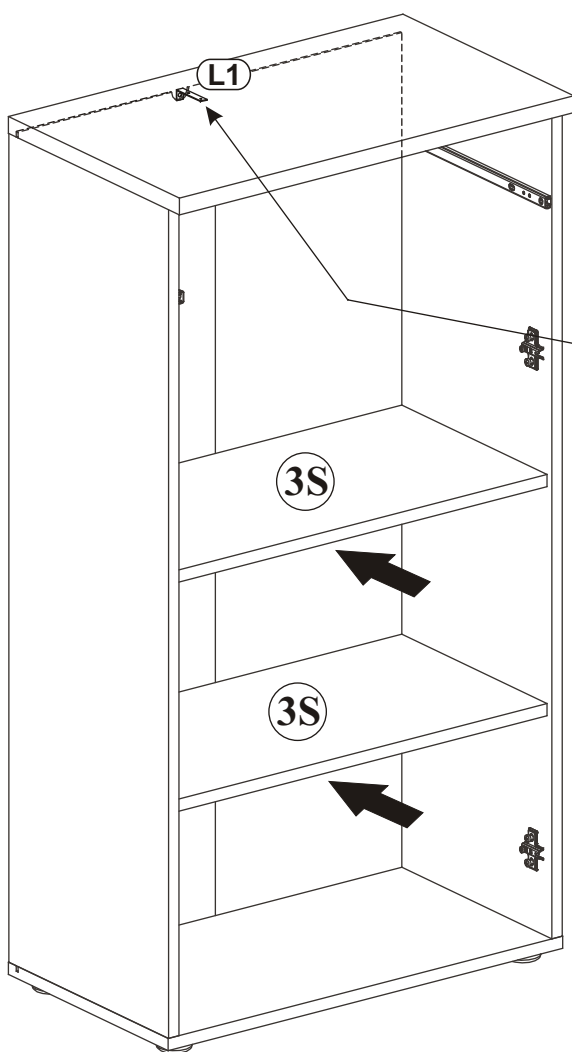
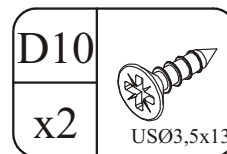
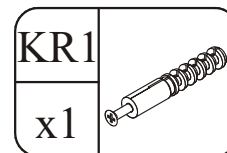
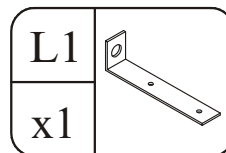
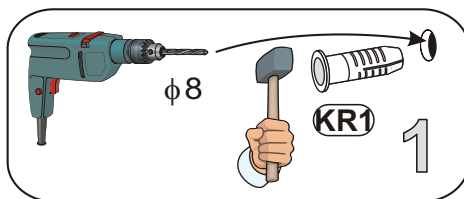
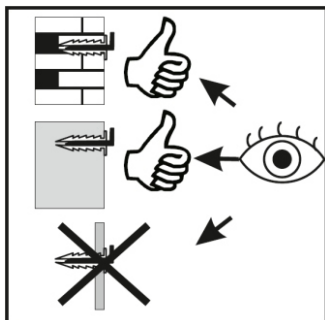
9



S1	
x12	

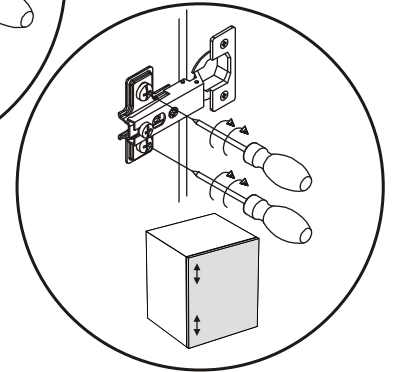
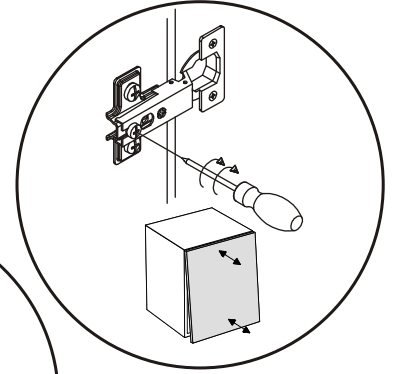
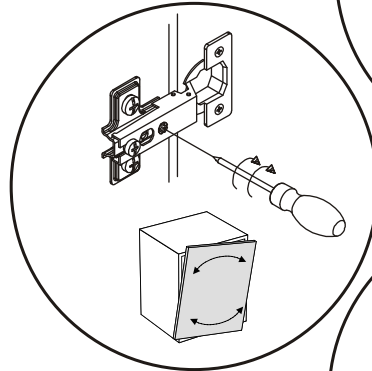
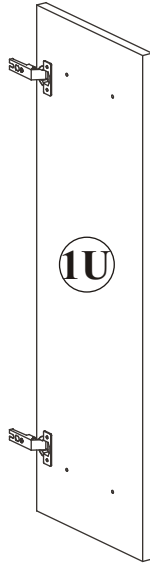
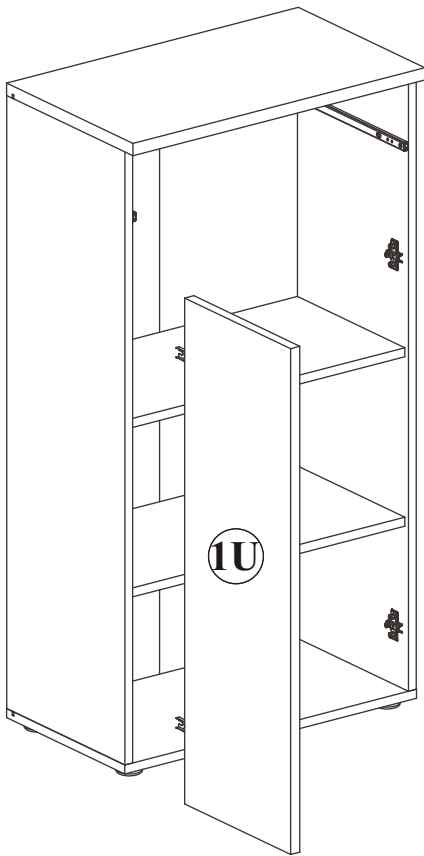


10



GUSTAVO TYP-G

11



12

