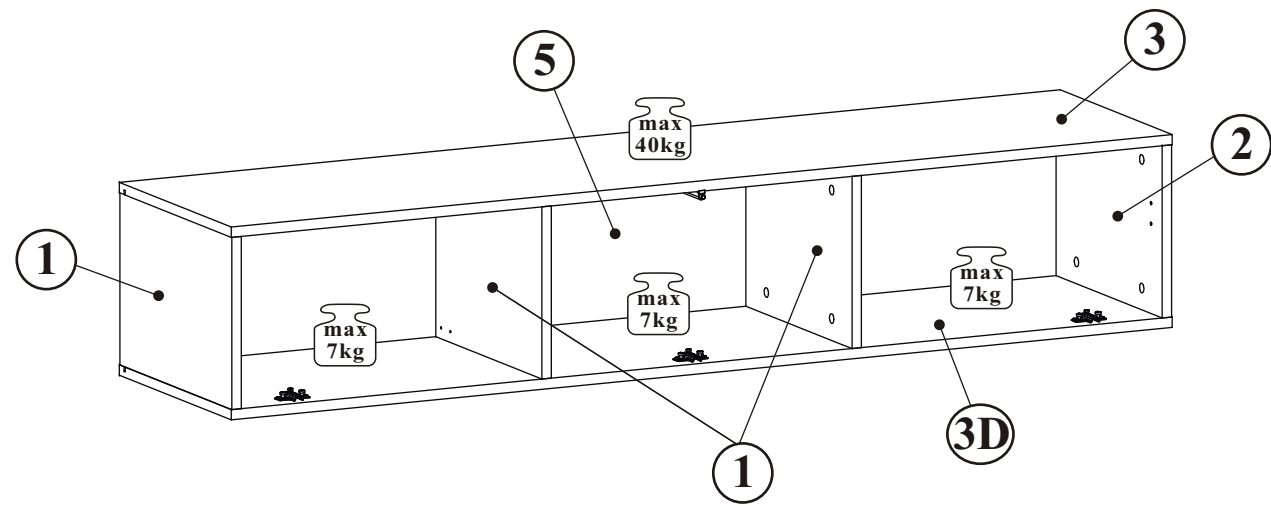
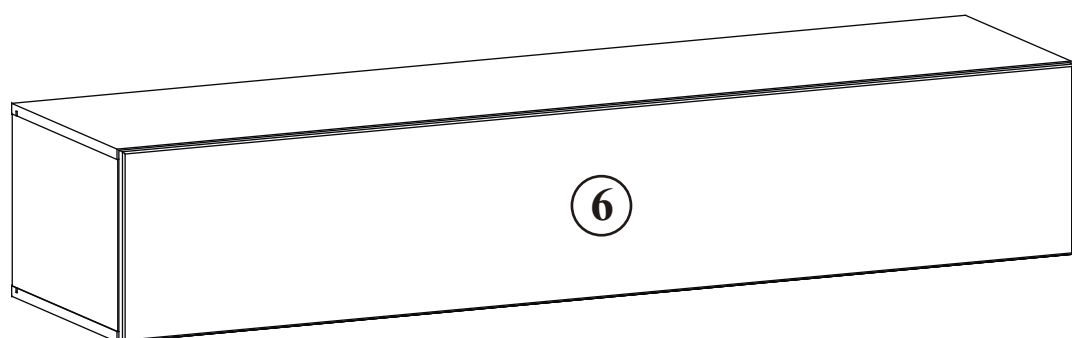
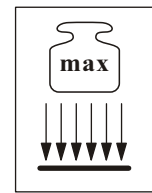
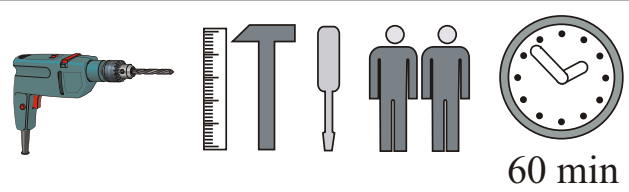


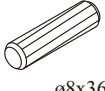
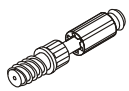


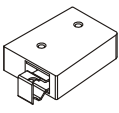

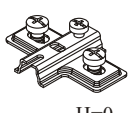
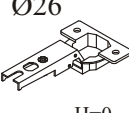

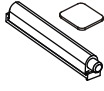

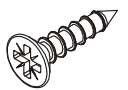
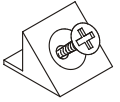
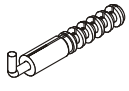

# FLY 28 -- FY 30-C

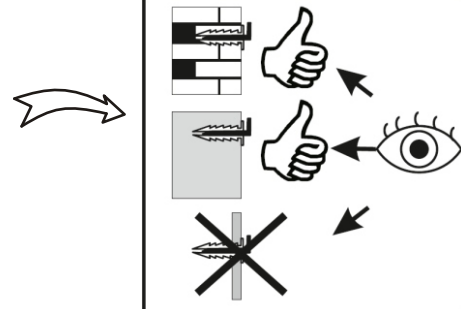
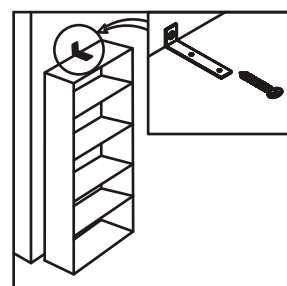
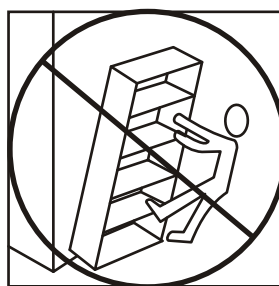
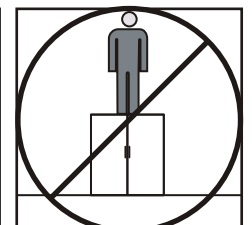
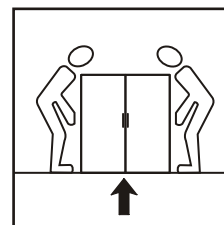
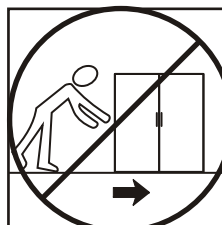
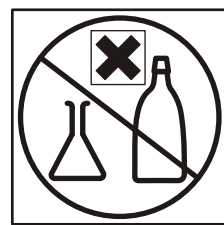
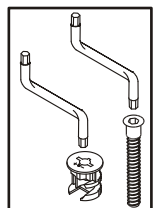
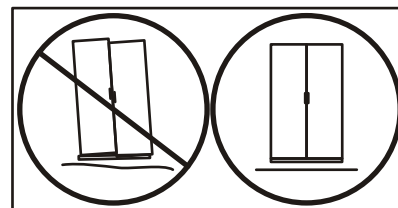
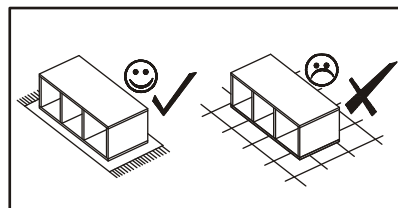
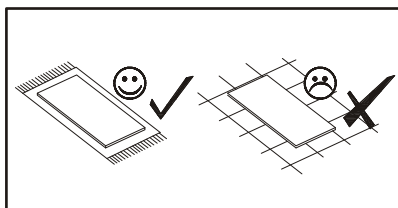
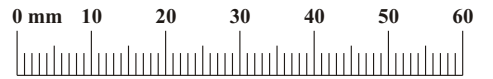


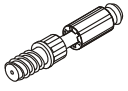
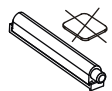
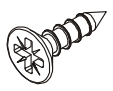
NO	Dim.		Col.-No	Qty
1	268	384	1	1
2	268	384	1	1
3	1602	384	1	1
3D	1602	384	1	1
4	268	364	1	2
5	1580	280	1	1
6	1596	296	1	1



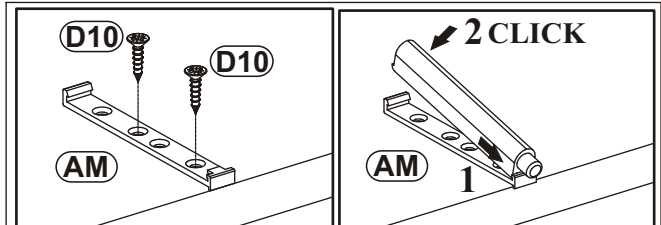
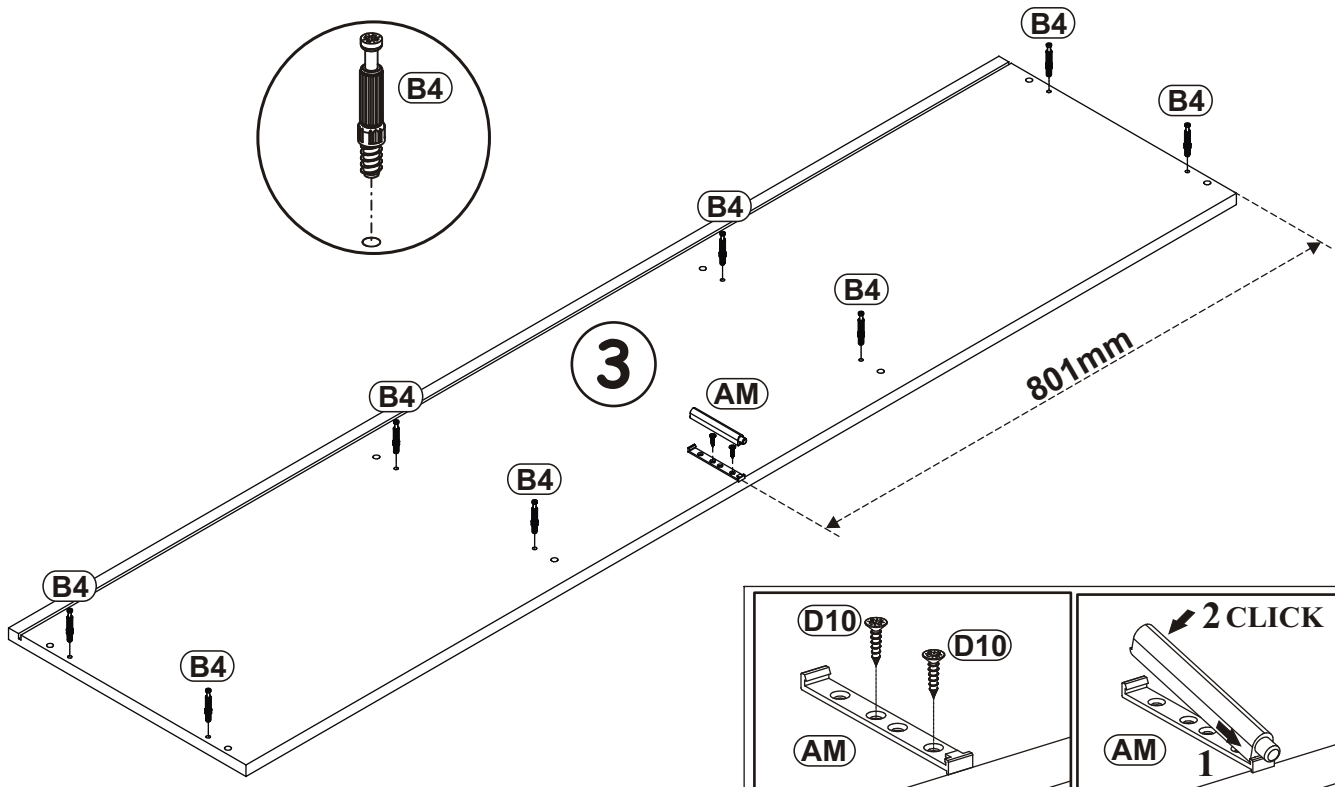
FLY 28--FY 30-C

A1 x16  ø8x36	B4 x16 	B5 x16  ø15x12	G5 x16 	ZR1 x4 	D6 x8  USØ3,5x30
E2 x3  H=0	E1 x3  Ø26 H=0	D10 x24  USØ3,5x13	AM x1 	G21 x2 	D7 x6  USØ3x16
S1 x12 	KR2 x4 	G2 x1 			

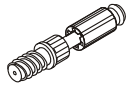
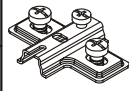


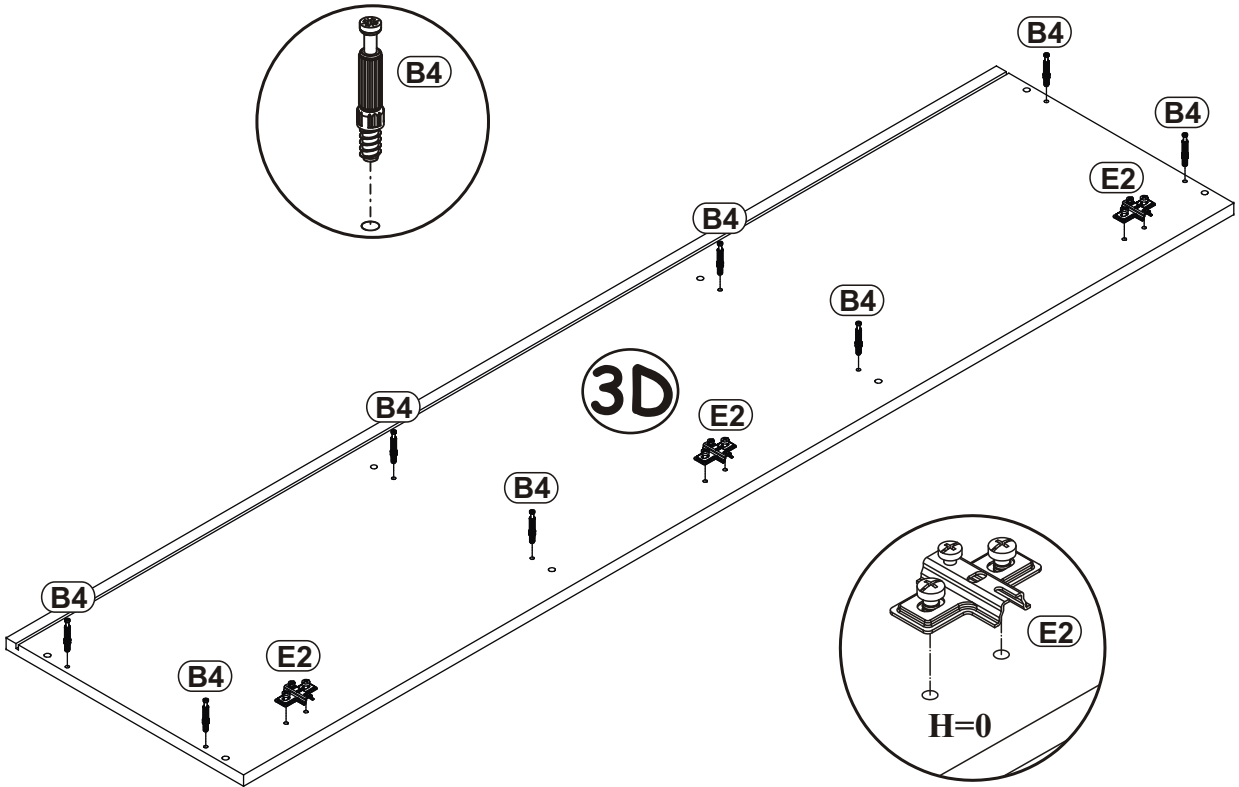
B4		AM		D10	
x8		x1		x2	US03,5x13

1

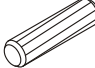



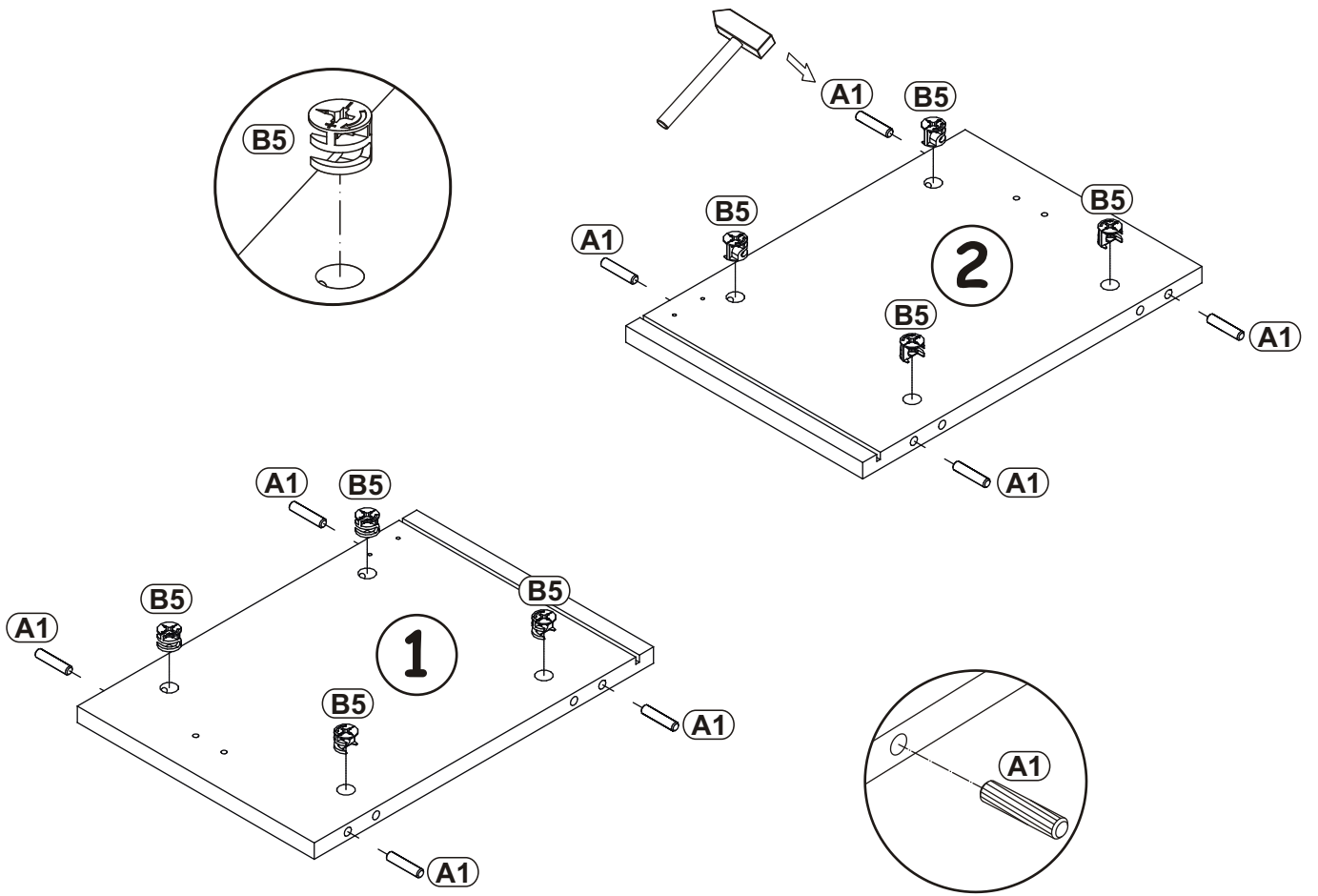
2

B4		E2	
x8		x3	H=0

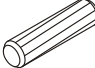



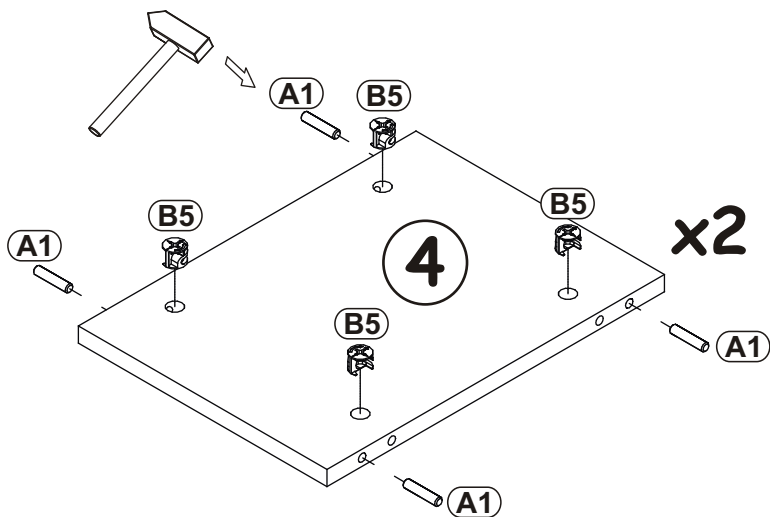
3

A1		B5	
x8	ø8x36	x8	ø15x12

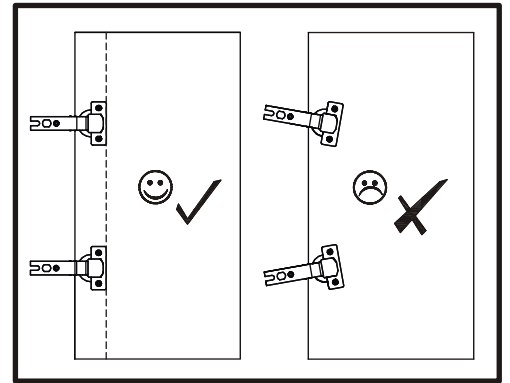
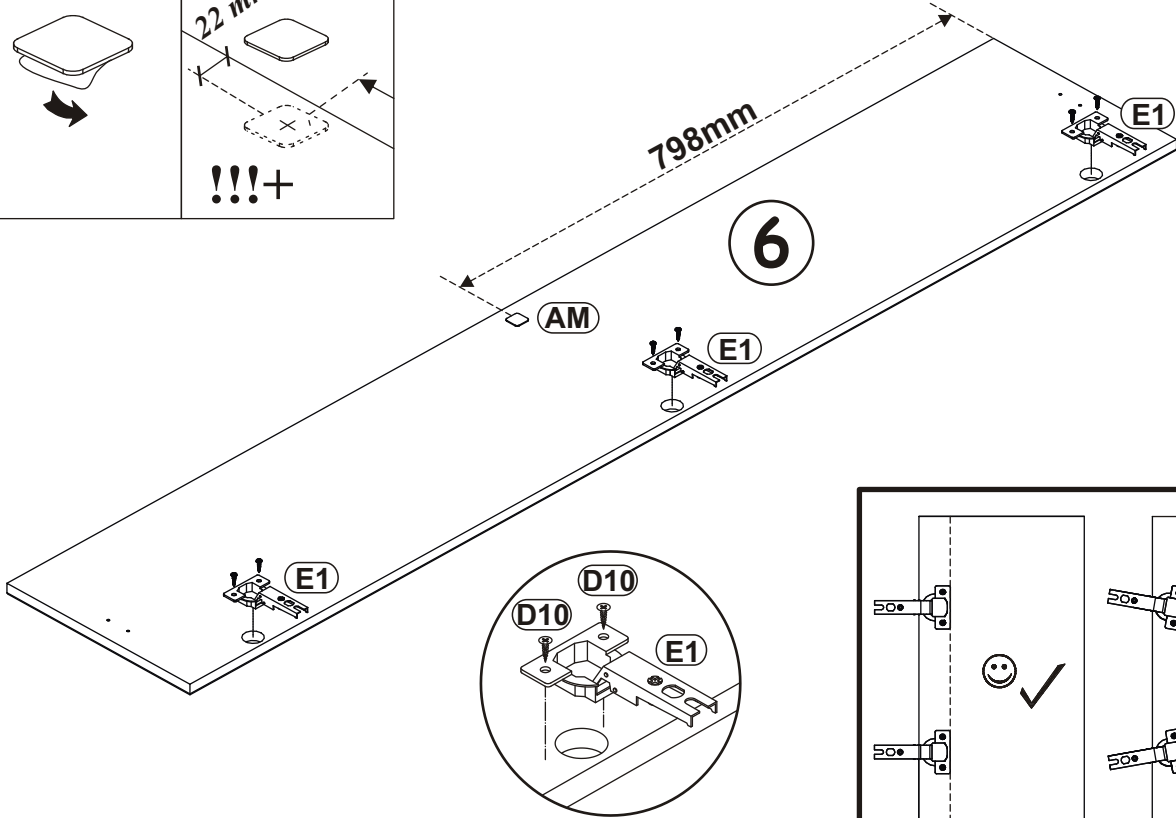
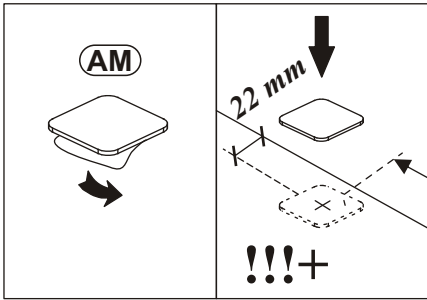
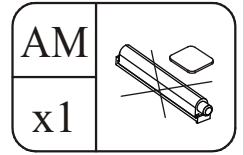
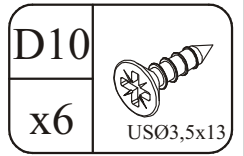
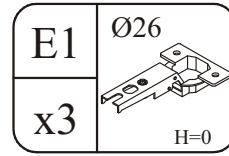
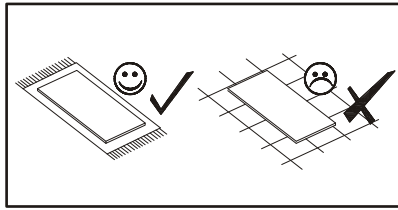


4

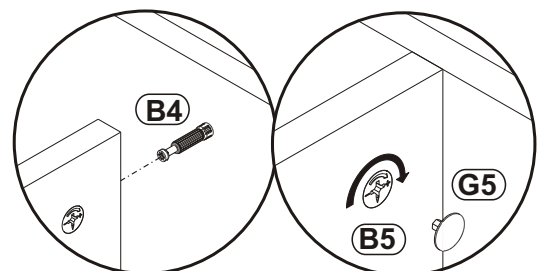
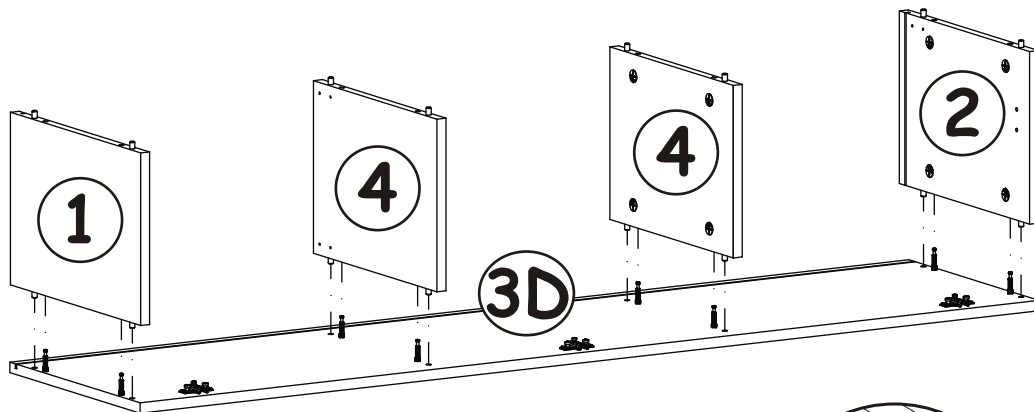
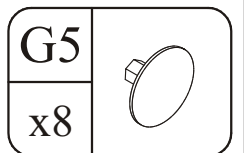
A1		B5	
x8	ø8x36	x8	ø15x12




5

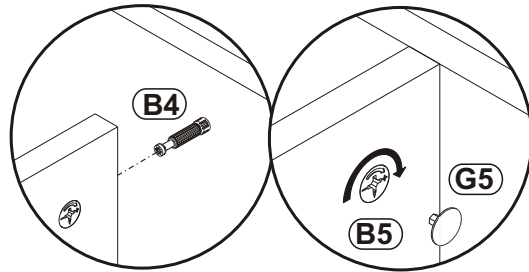
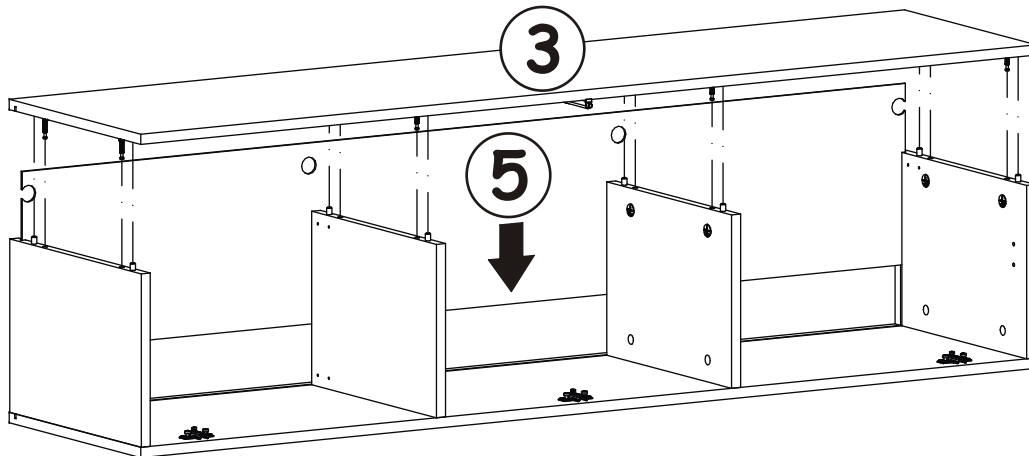


6



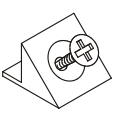
7

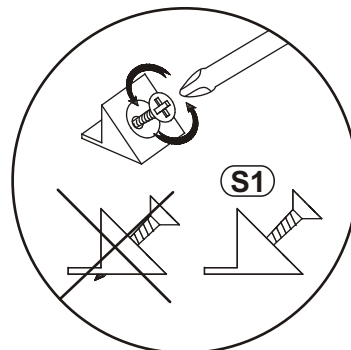
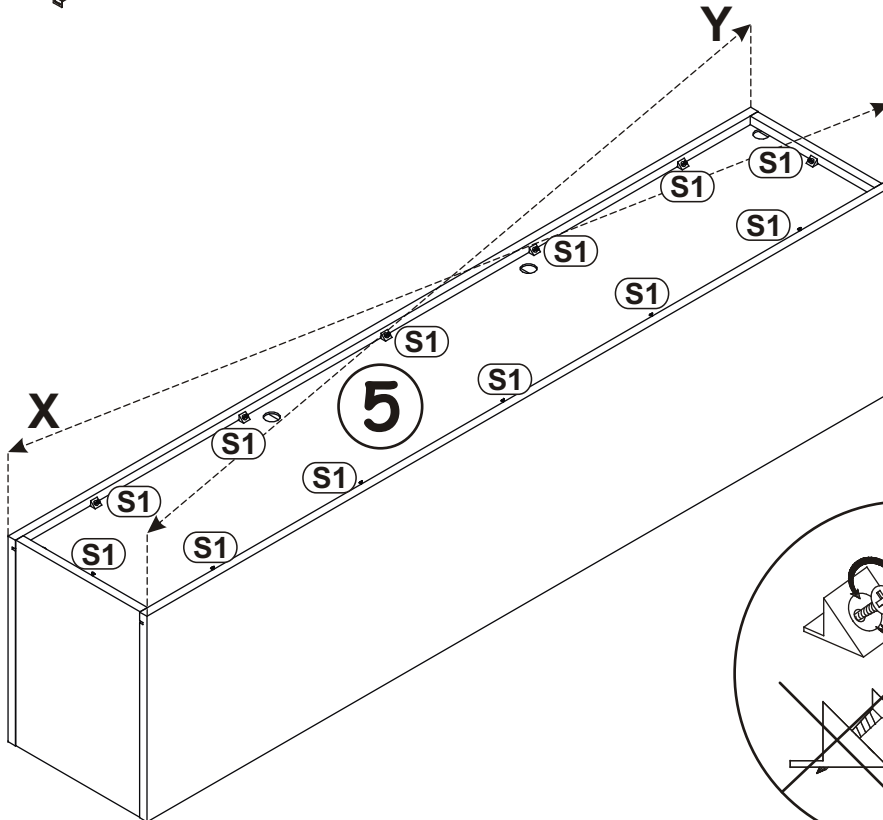
G5	
x8	



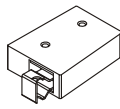

8

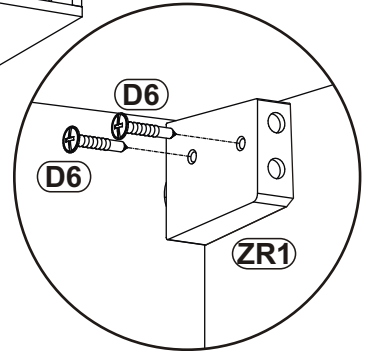
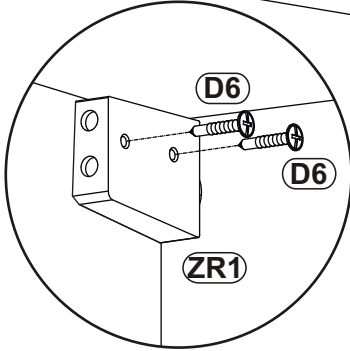
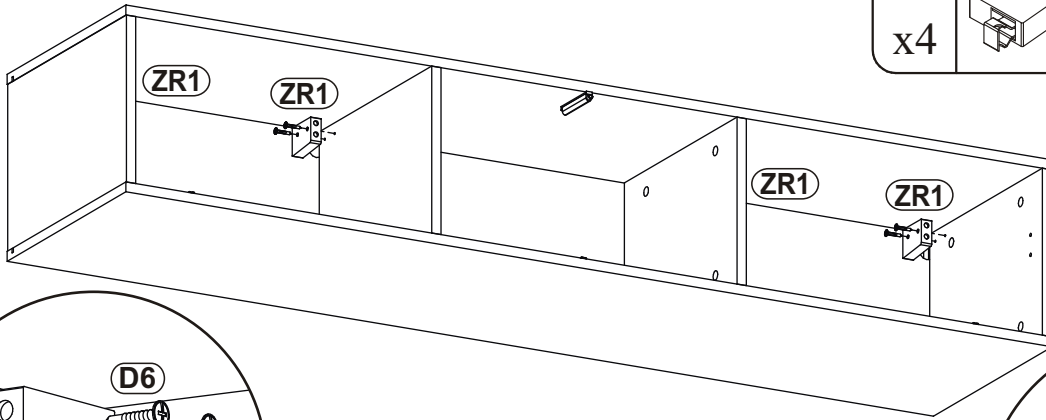


S1	
x12	

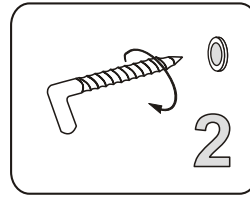
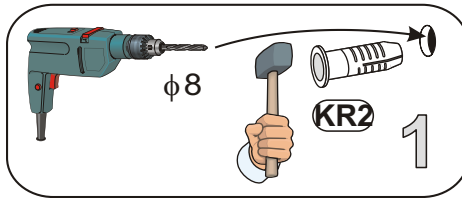
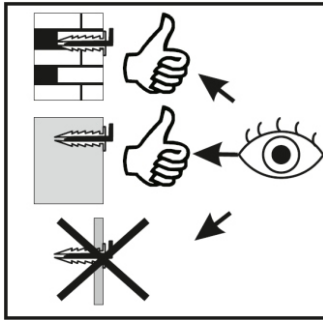


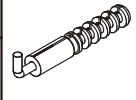
9

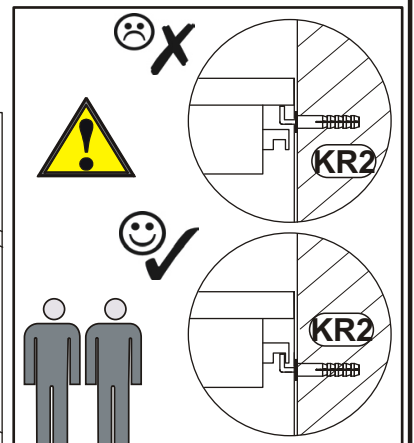
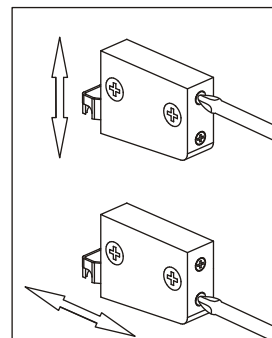
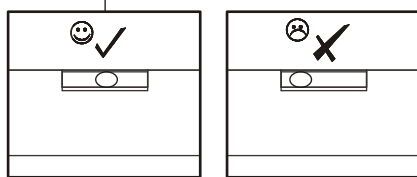
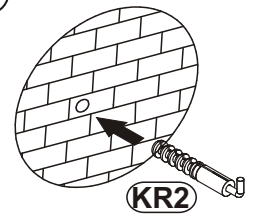
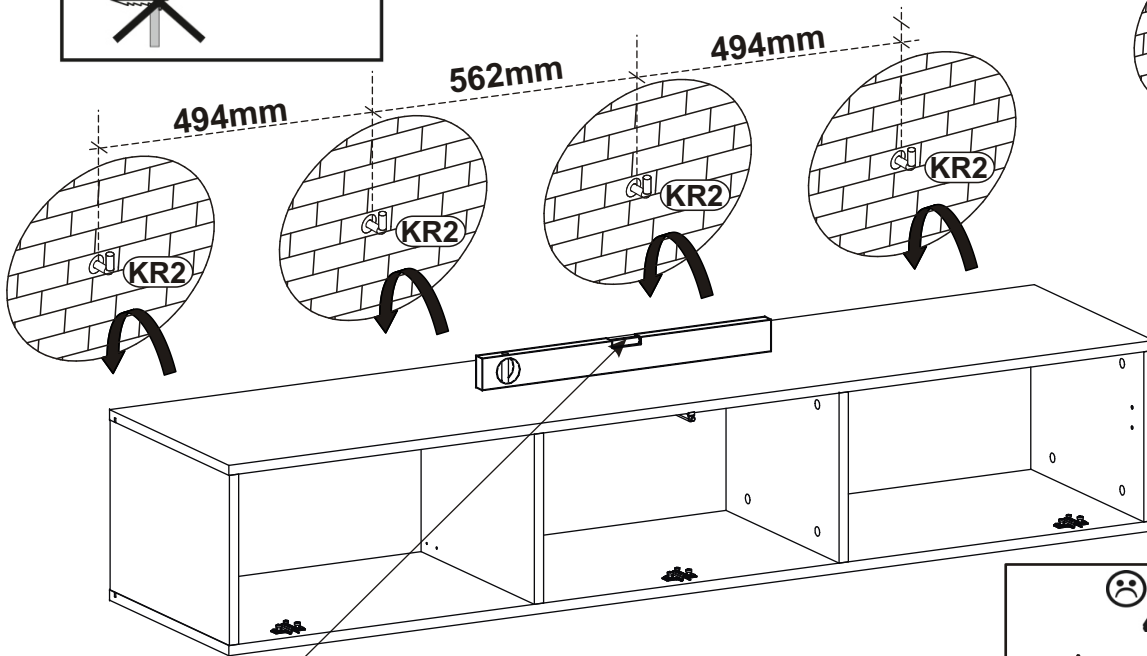
ZR1		D6	
x4		x8	USØ3,5x30



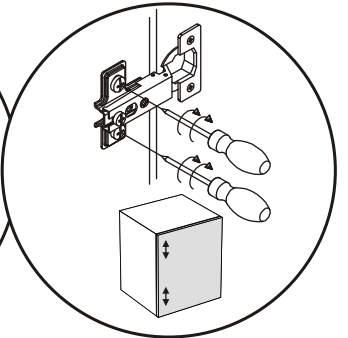
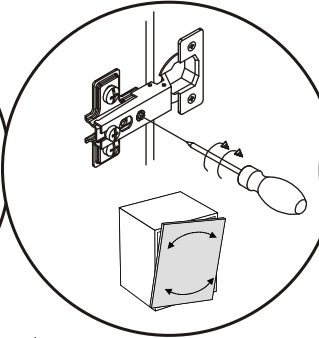
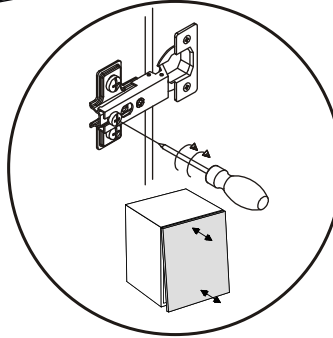
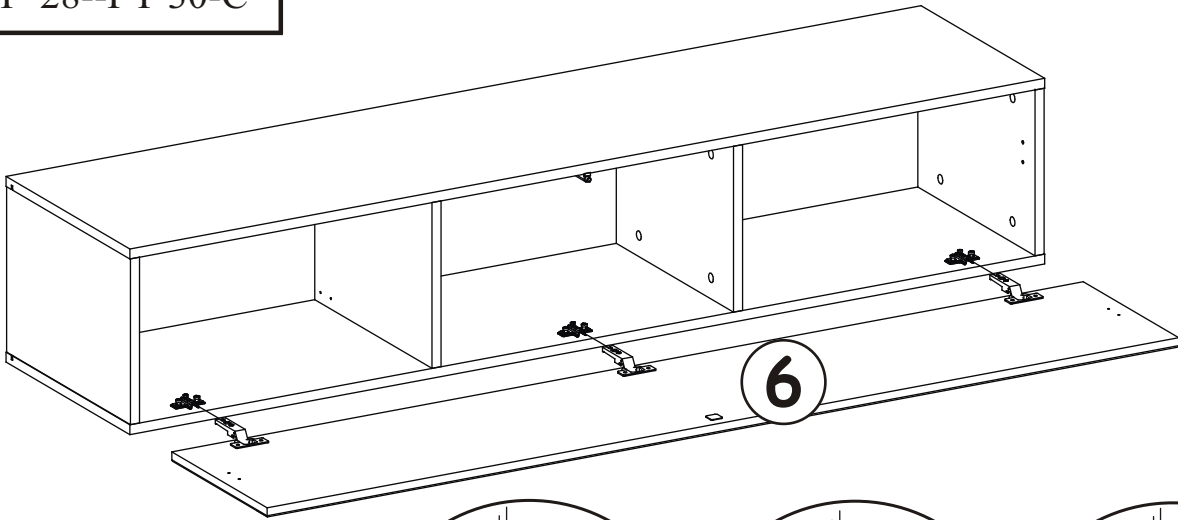
10



KR2	
x4	



11



12

