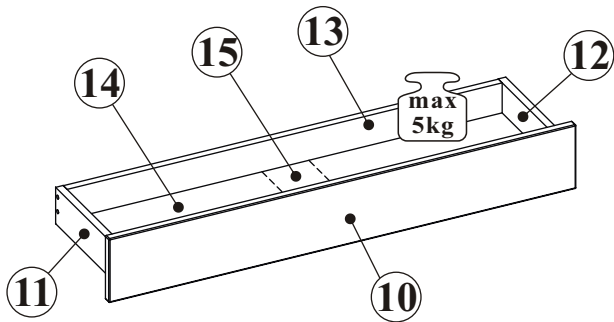
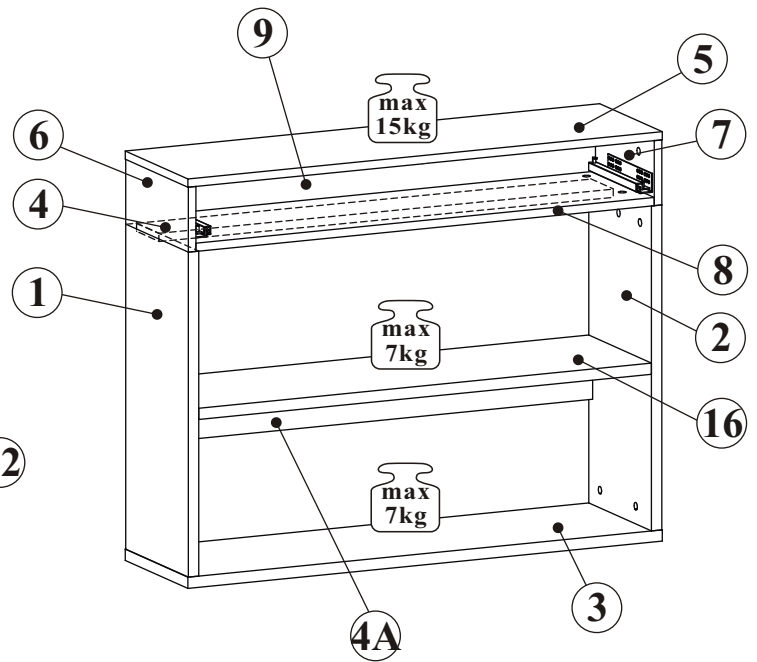
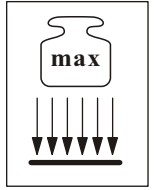
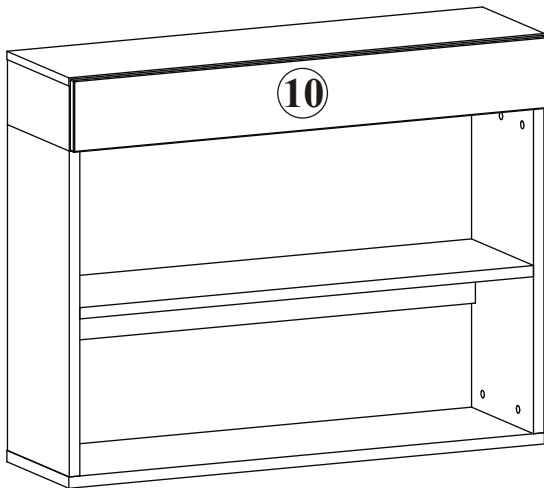
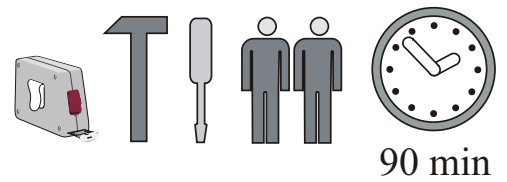


EASY 20_EY TYP 08



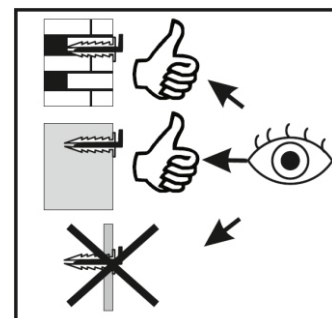
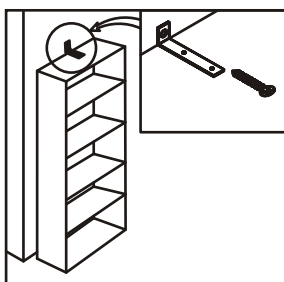
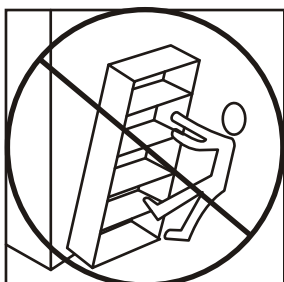
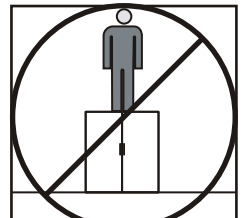
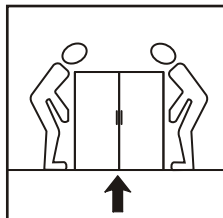
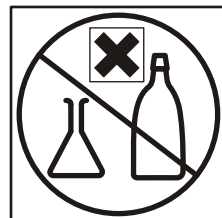
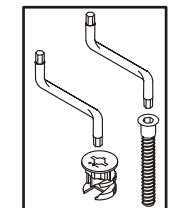
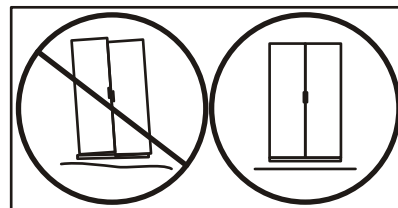
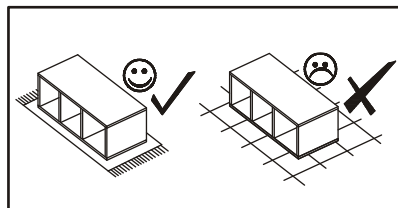
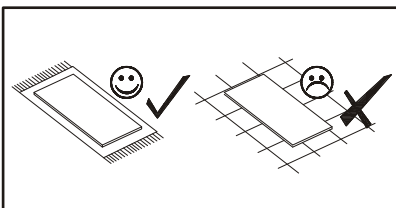
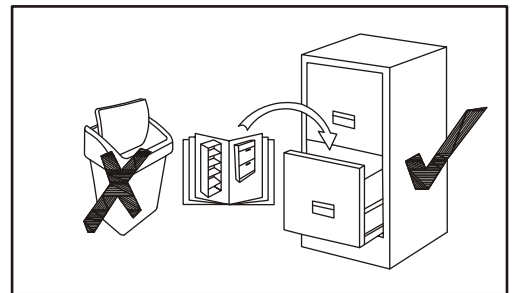
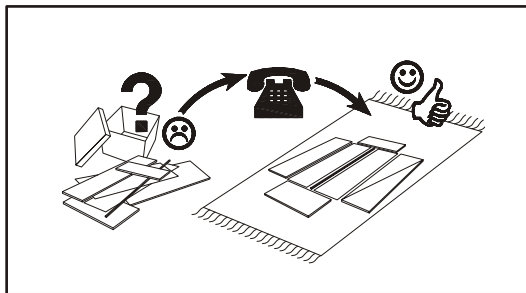
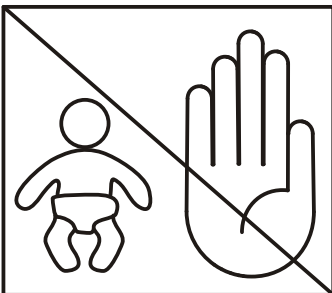
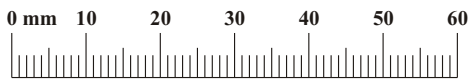
NO	Dim.			Col.-No	Qty
1	635	280	22	1	1
2	635	280	22	1	1
3	1002	280	22	1	1
4	956	100	16	1	1
4A	956	100	16	1	1
5	1002	280	16	1	1
6	127	280	16	1	1
7	127	280	16	1	1
8	968	280	16	1	1
9	968	111	16	1	1
10	996	140	16	1	1
11	250	80	16	1	1
12	250	80	16	1	1
13	928	66	16	1	1
14	254	940	3	1	1
15	250	100	16	1	1
16	956	280	22	1	1



90 min

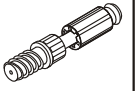
EASY 20_EY TYP 08

A1 x34 ø8x36	A3 x4 ø8x47	B4 x26	B5 x26 Ø15x12	B16 x8 Ø15x16	G5 x30
QU x1 L-250mm	D20 x12 ESØ6x9,5	D10 x4 USØ3,5x13	G8 x4 Ø20	UP6 x2 UPØ4x30	B6 x4 Ø7x76
B11 x4 Ø7x50	G4 x4	S1 x2	UP13 x8 UPØ3x16	ZM1 x4	KR3 x4 Ø10
G2 x1					

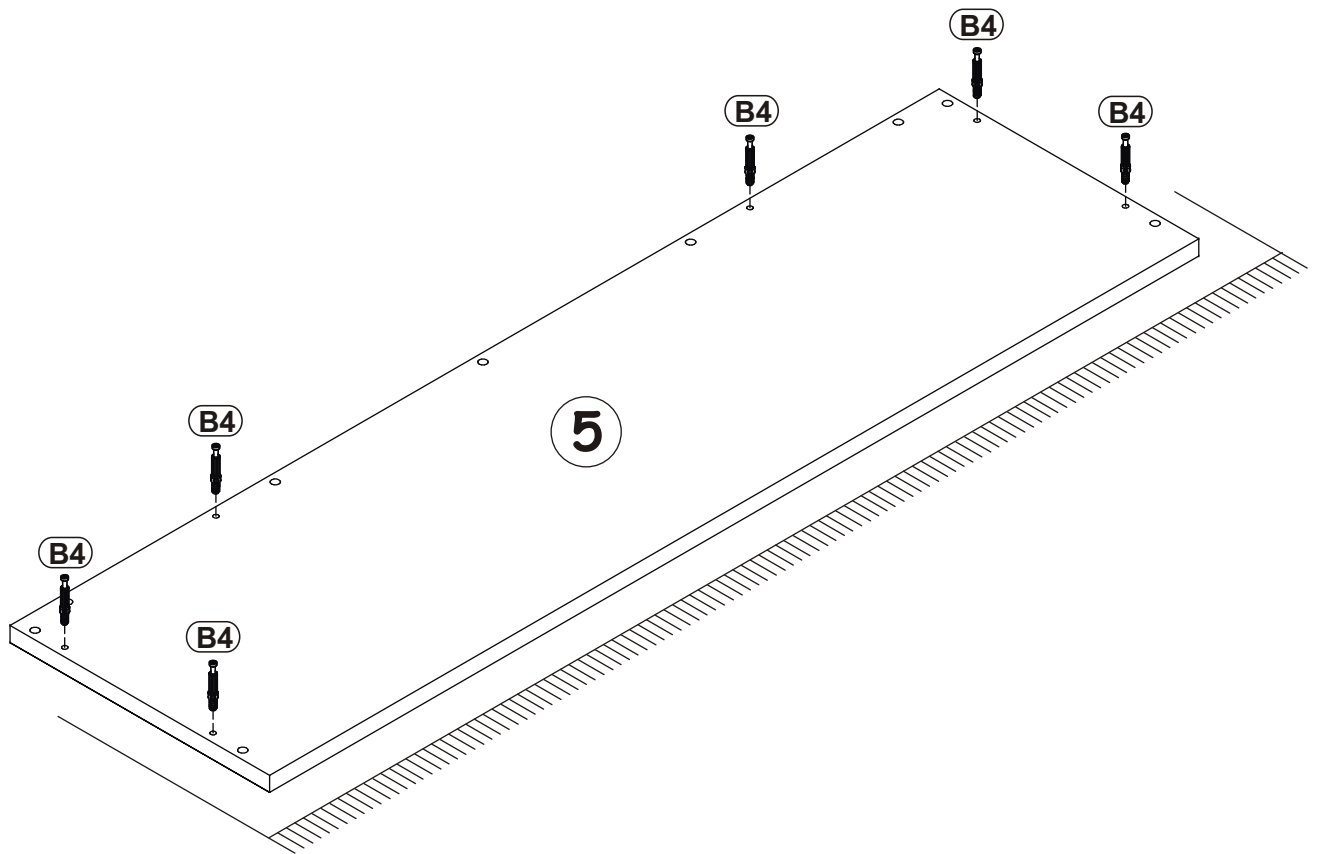
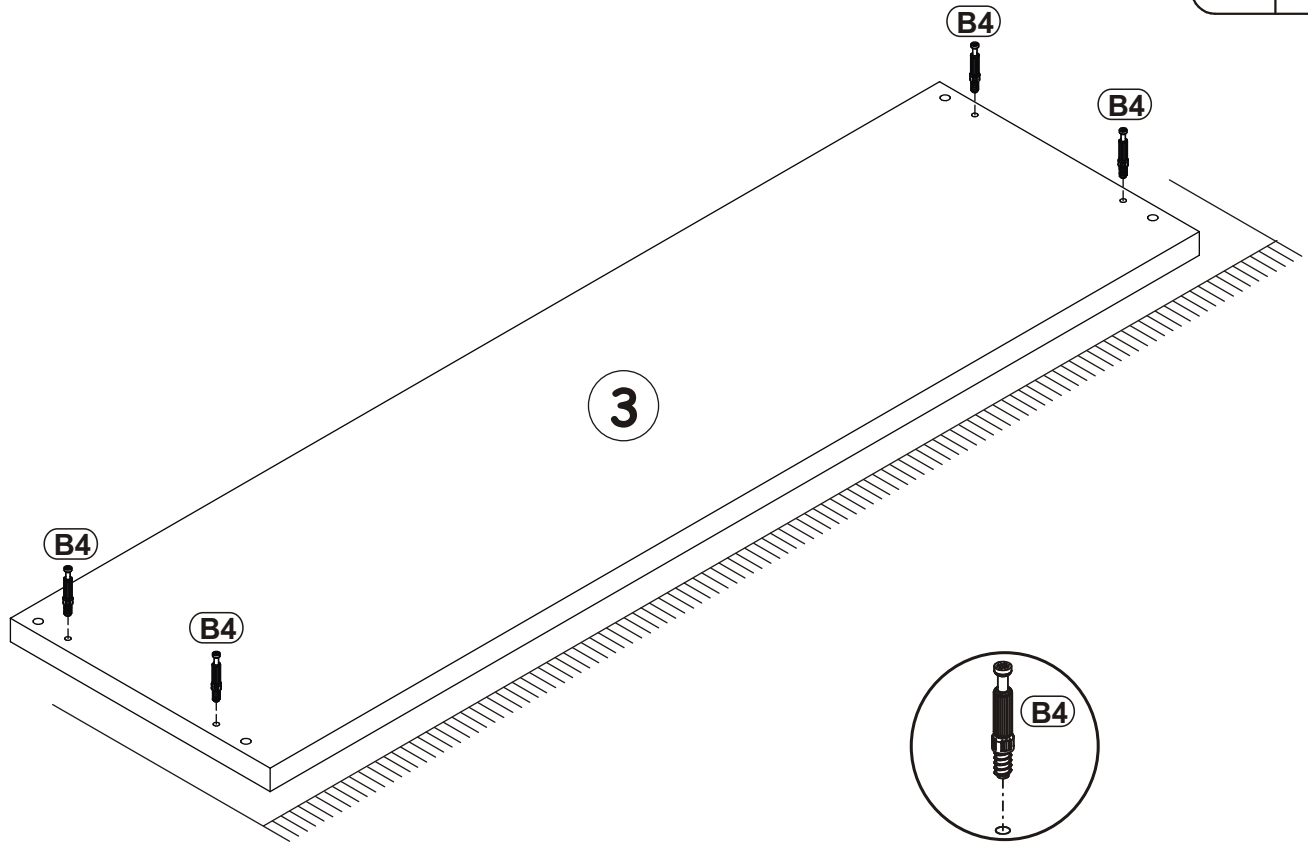


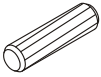

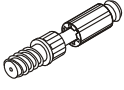
B4

x10

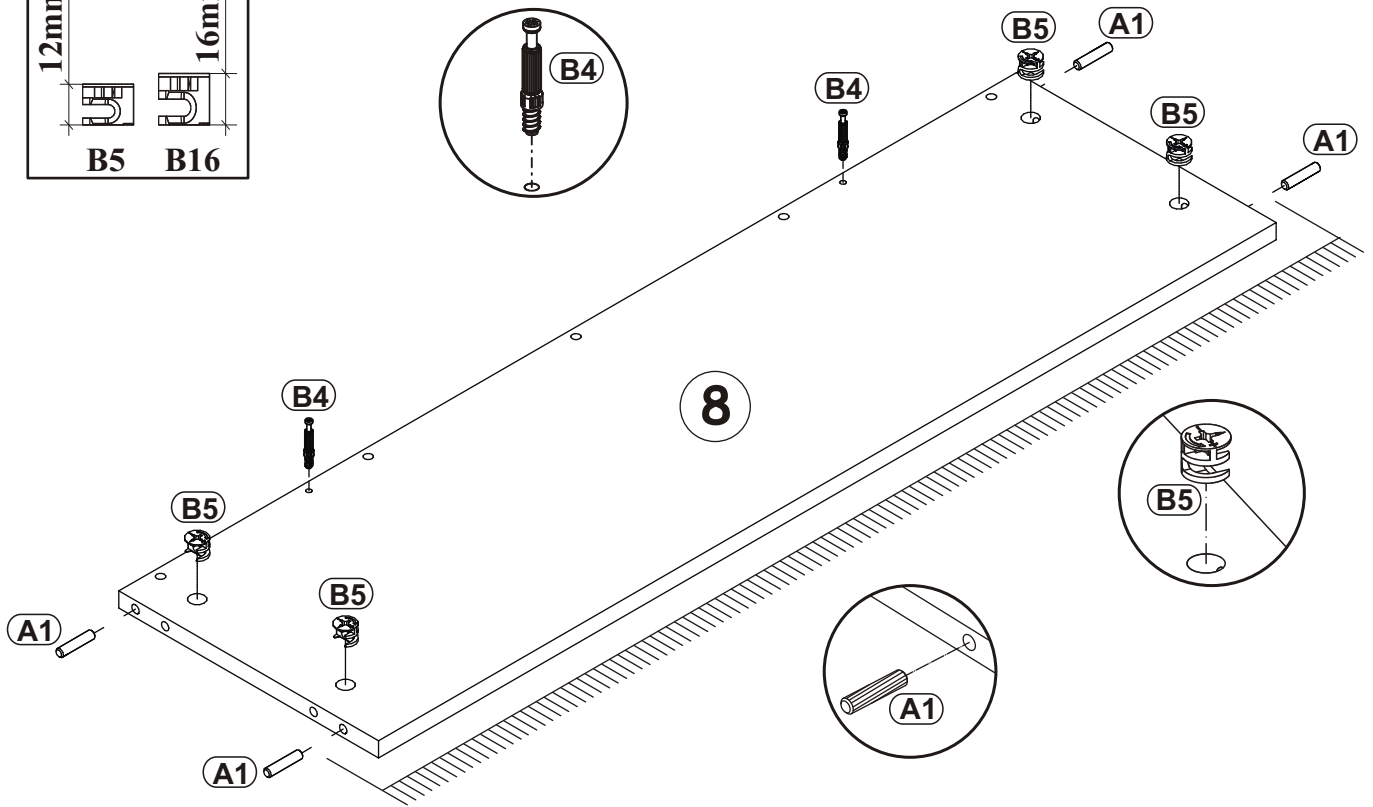
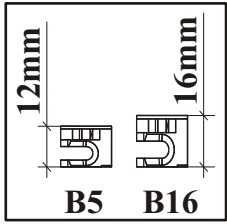


1

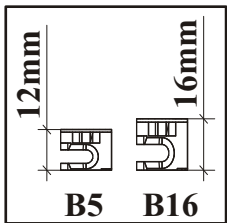


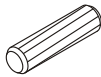
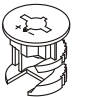
A1		B5		B4	
x4	ø8x36	x4	Ø15x12	x2	

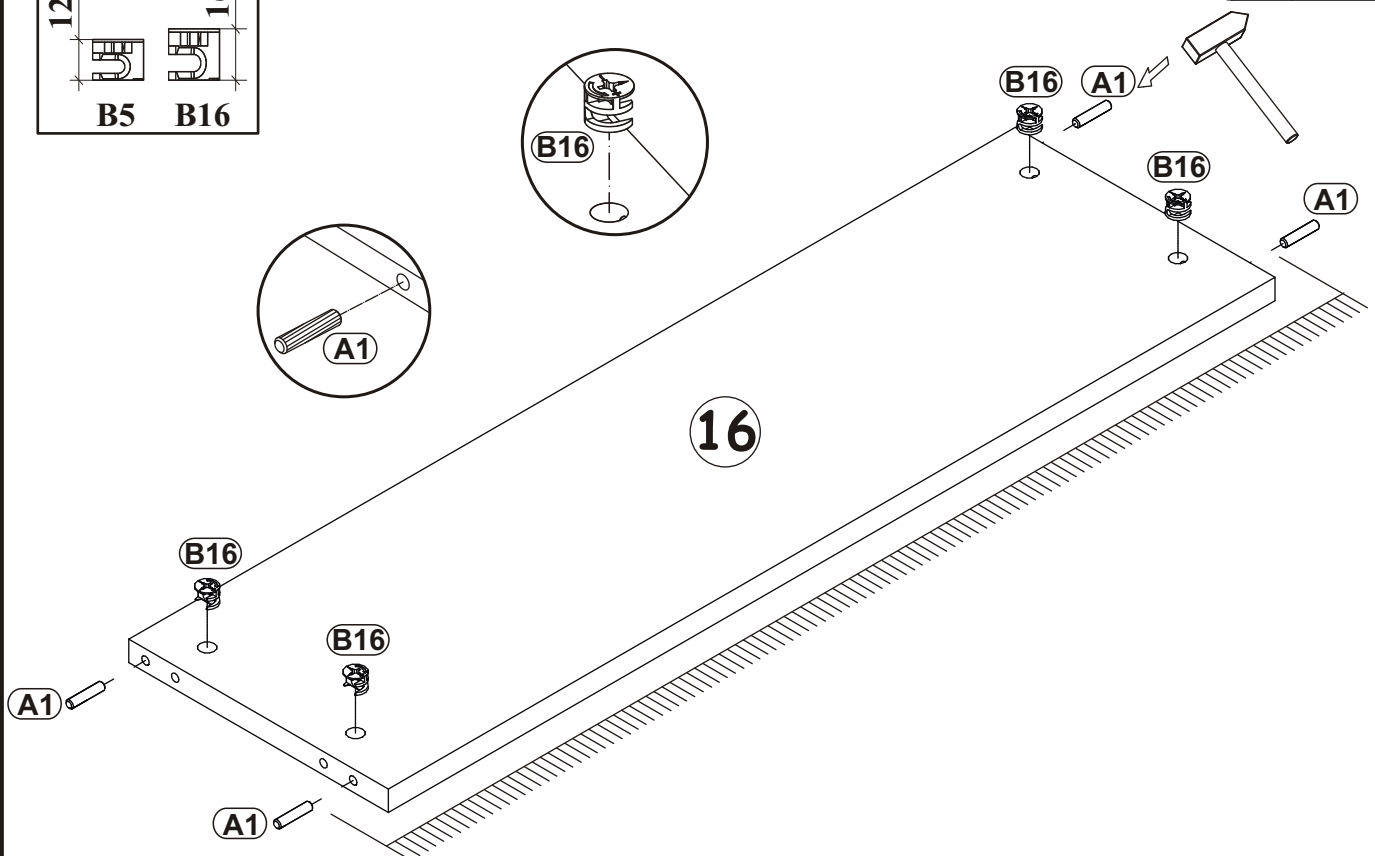
2



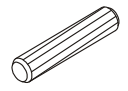
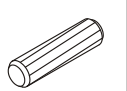
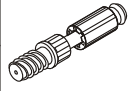
3





A1		B16	
x4	ø8x36	x4	Ø15x16

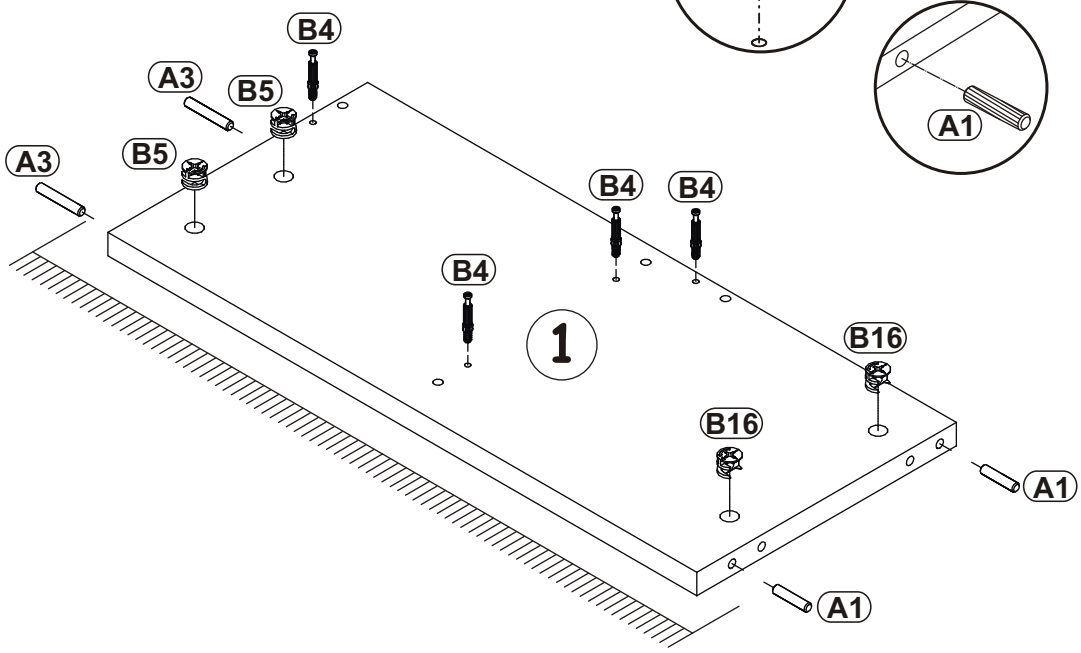
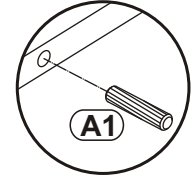
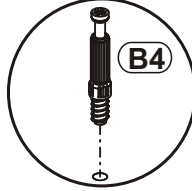
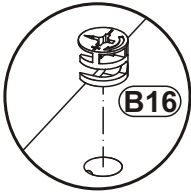
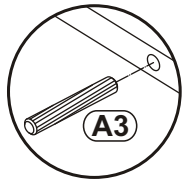
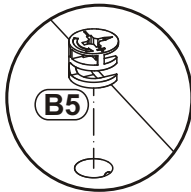
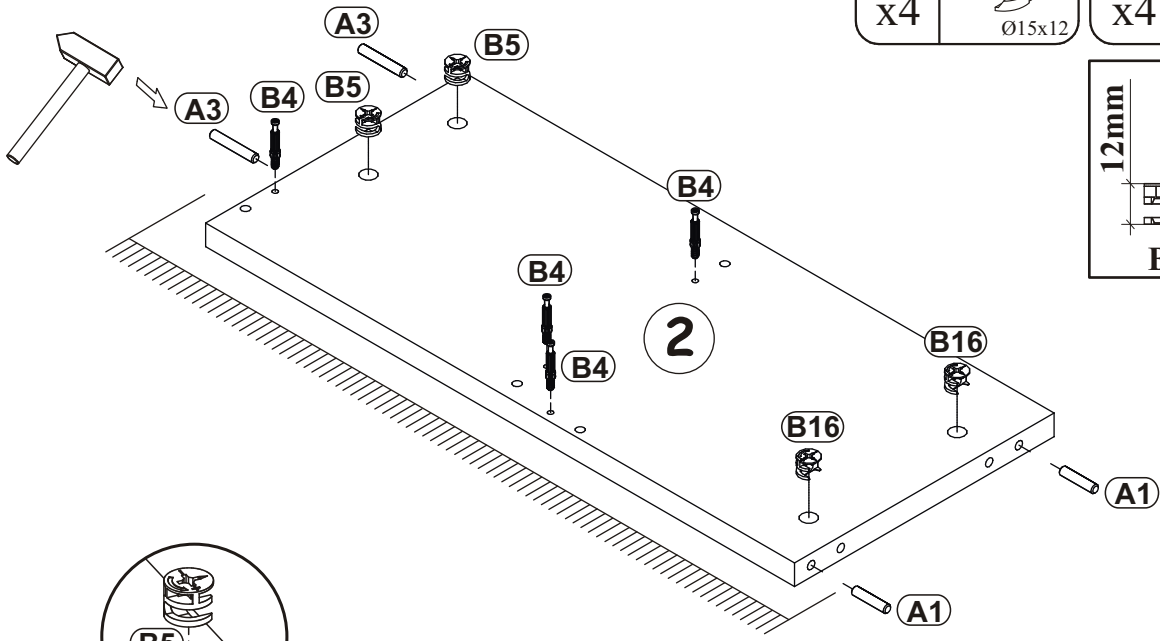


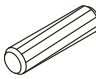

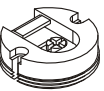
4

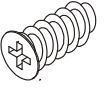
A3		A1		B4	
x4	Ø8x47	x4	ø8x36	x8	



B5		B16	
x4	Ø15x12	x4	Ø15x16

12mm		16mm	
	B5		B16

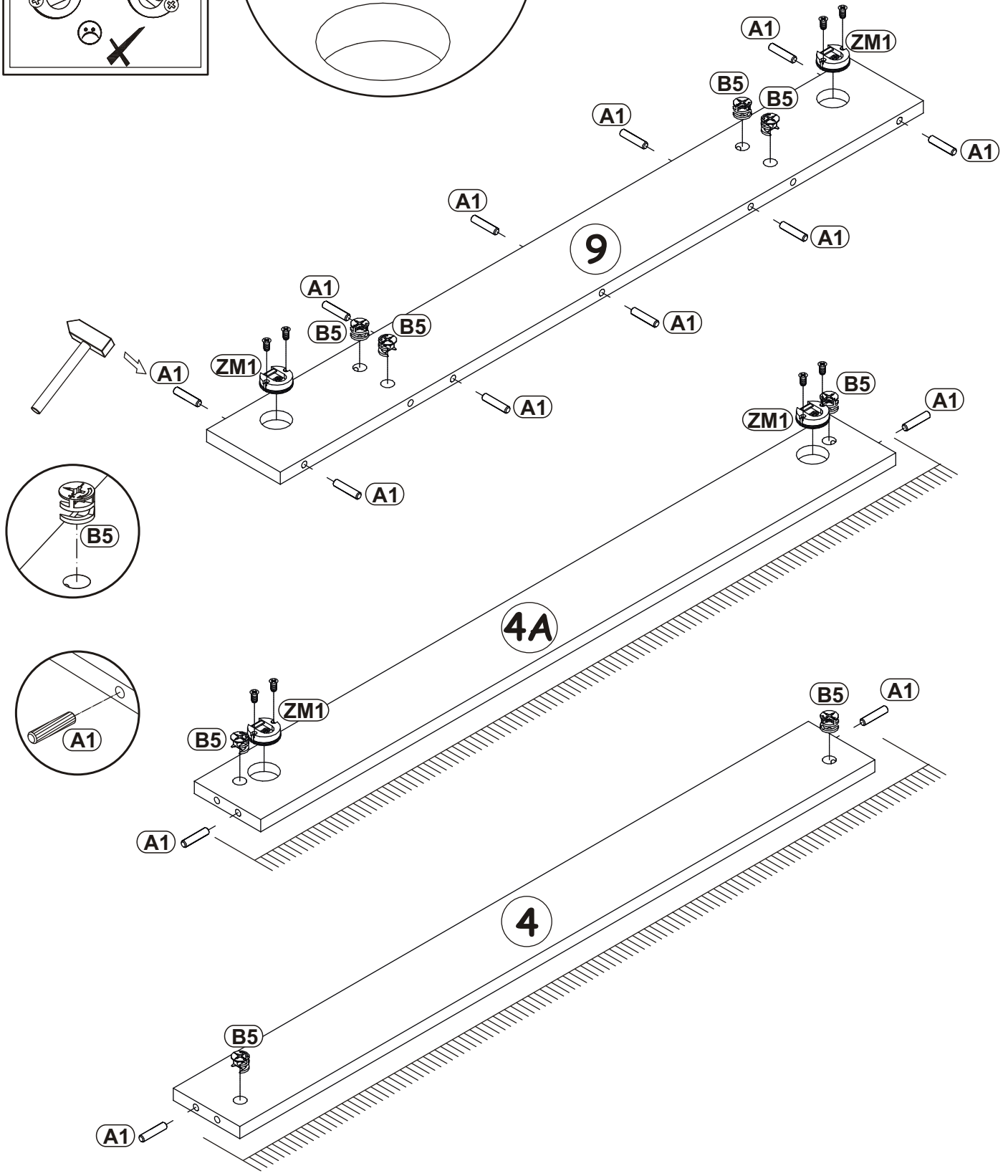
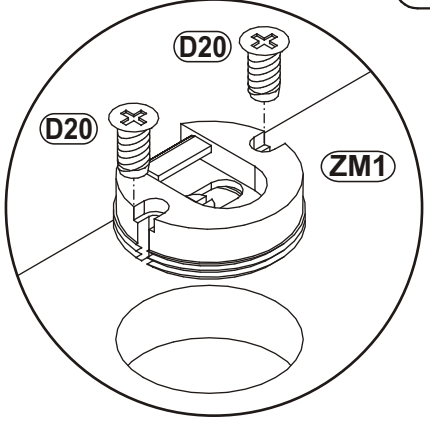
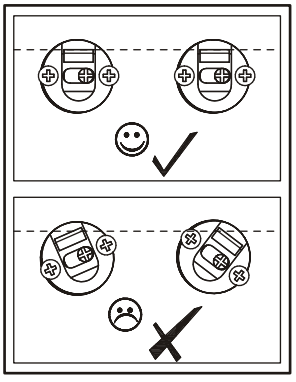


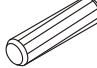
A1		B5		ZM1	
x14	∅8x36	x8	∅15x12	x4	

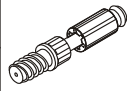
D20	
x8	ES∅6x9,5

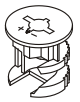
12mm		16mm	
	B5		B16

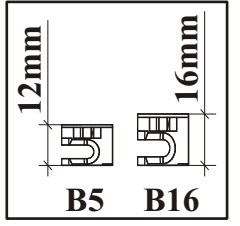
5



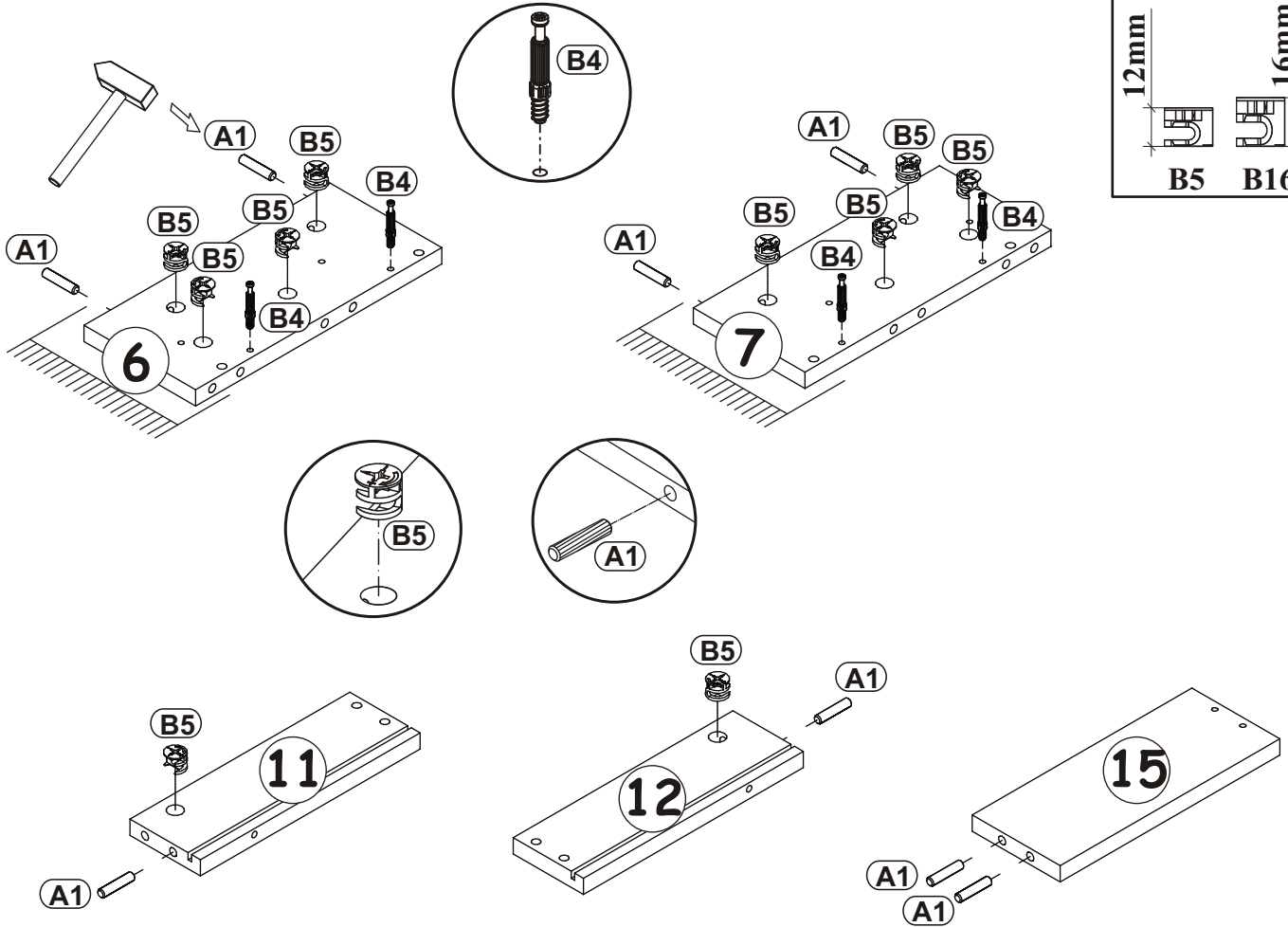
A1	
x8	ø8x36

B4	
x4	

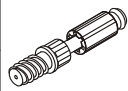
B5	
x10	Ø15x12

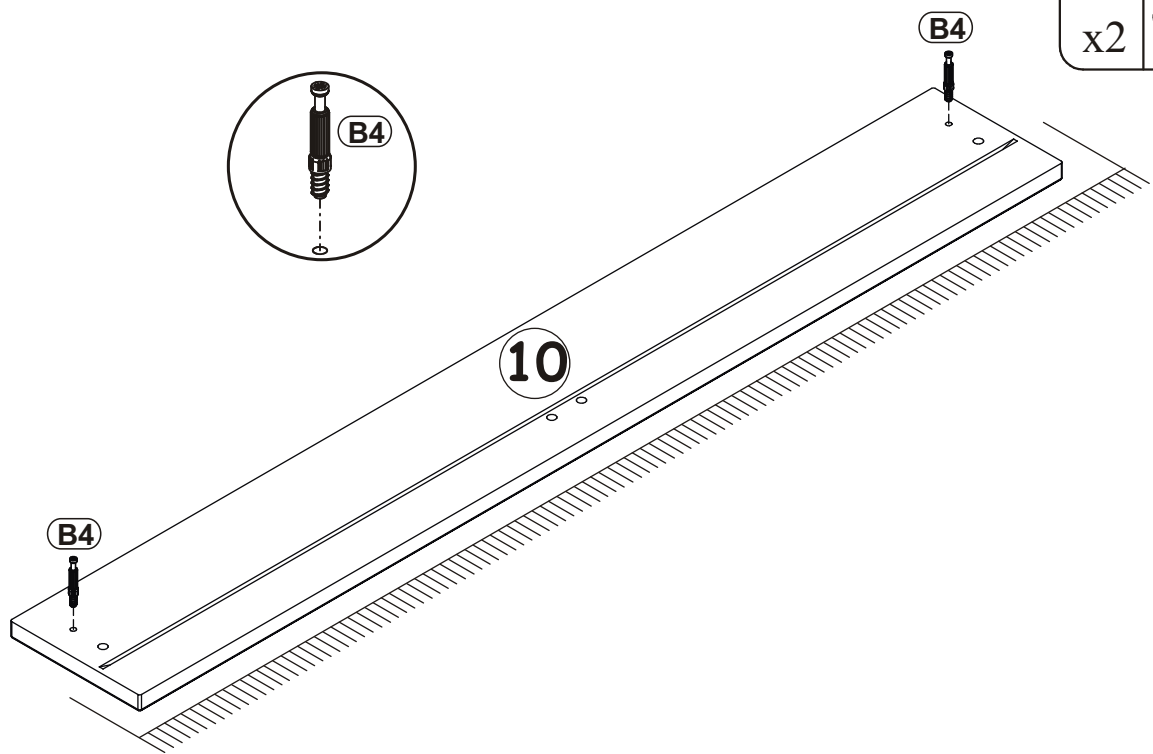


6





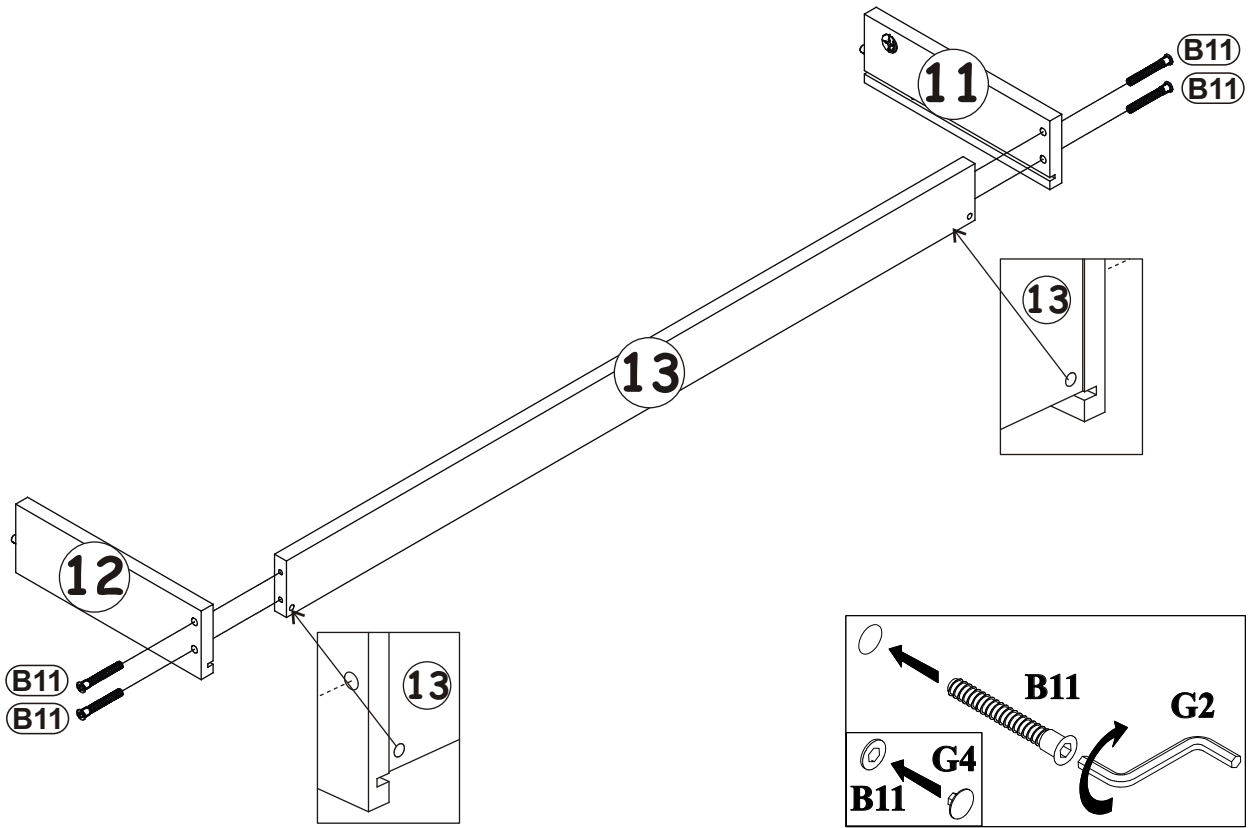
7

B4	
x2	




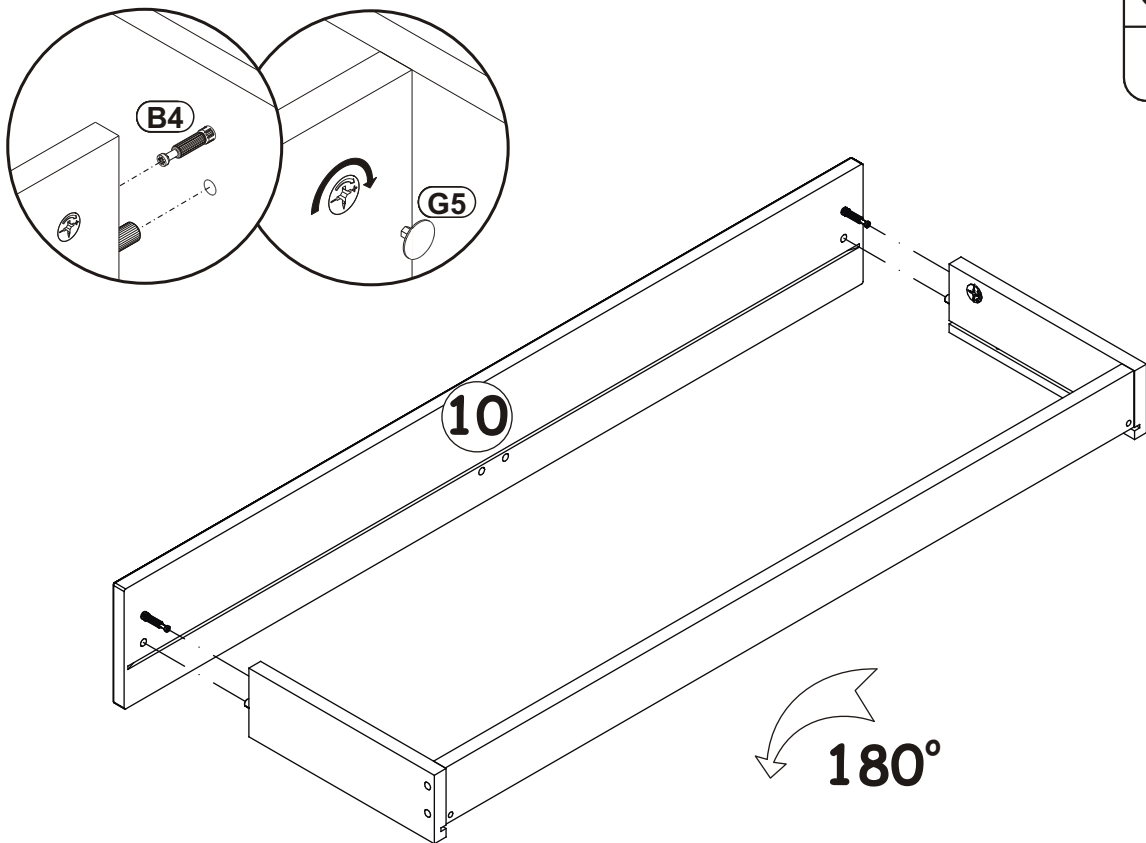
8

B11		G4	
x4	Ø7x50	x4	

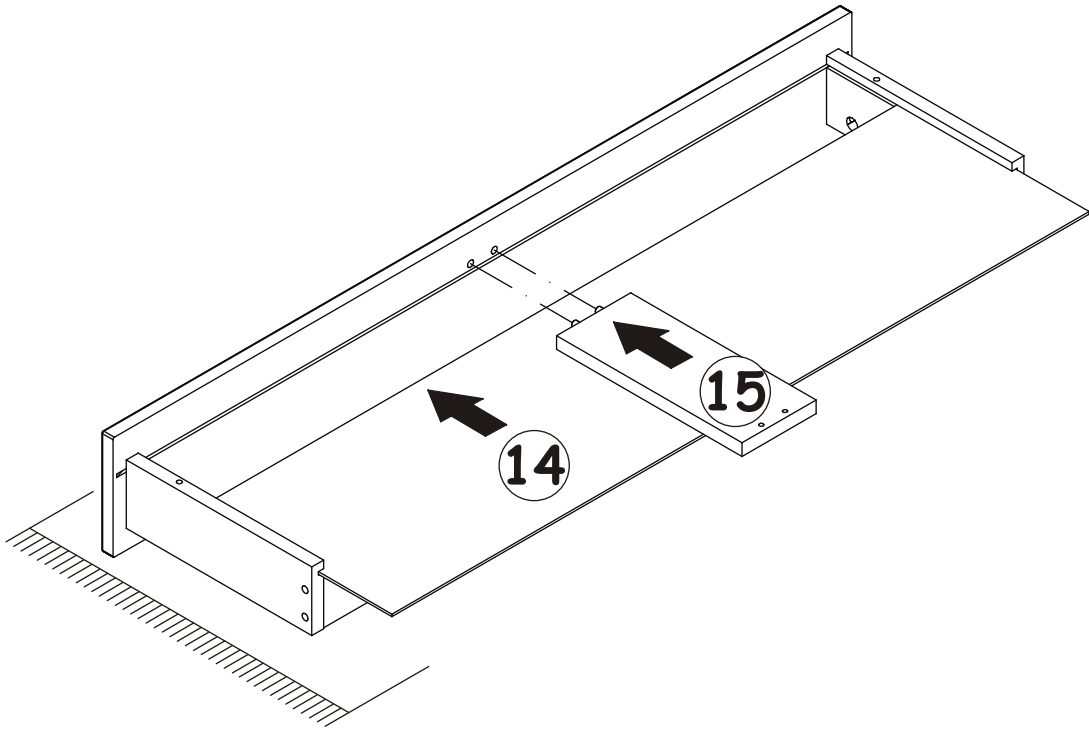


9

G5	
x2	

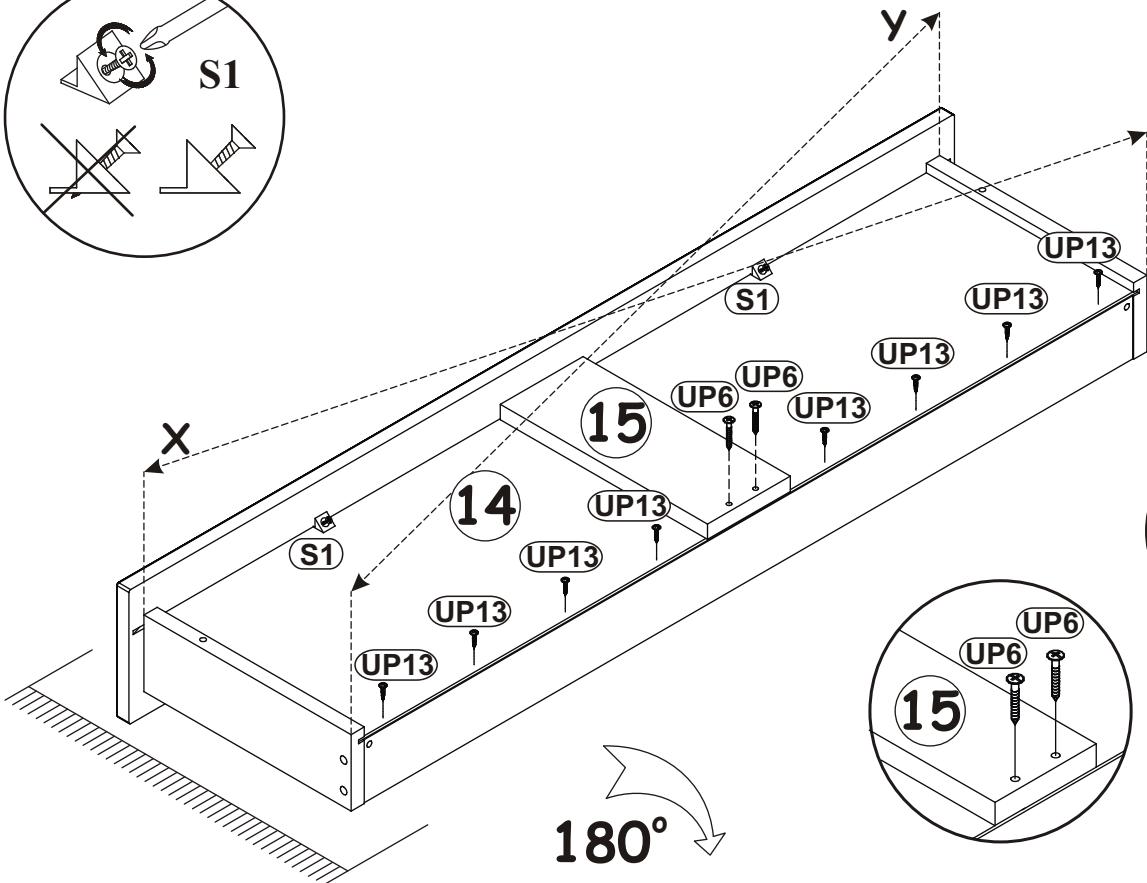
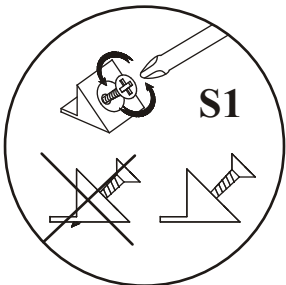


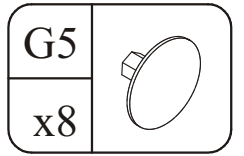
10



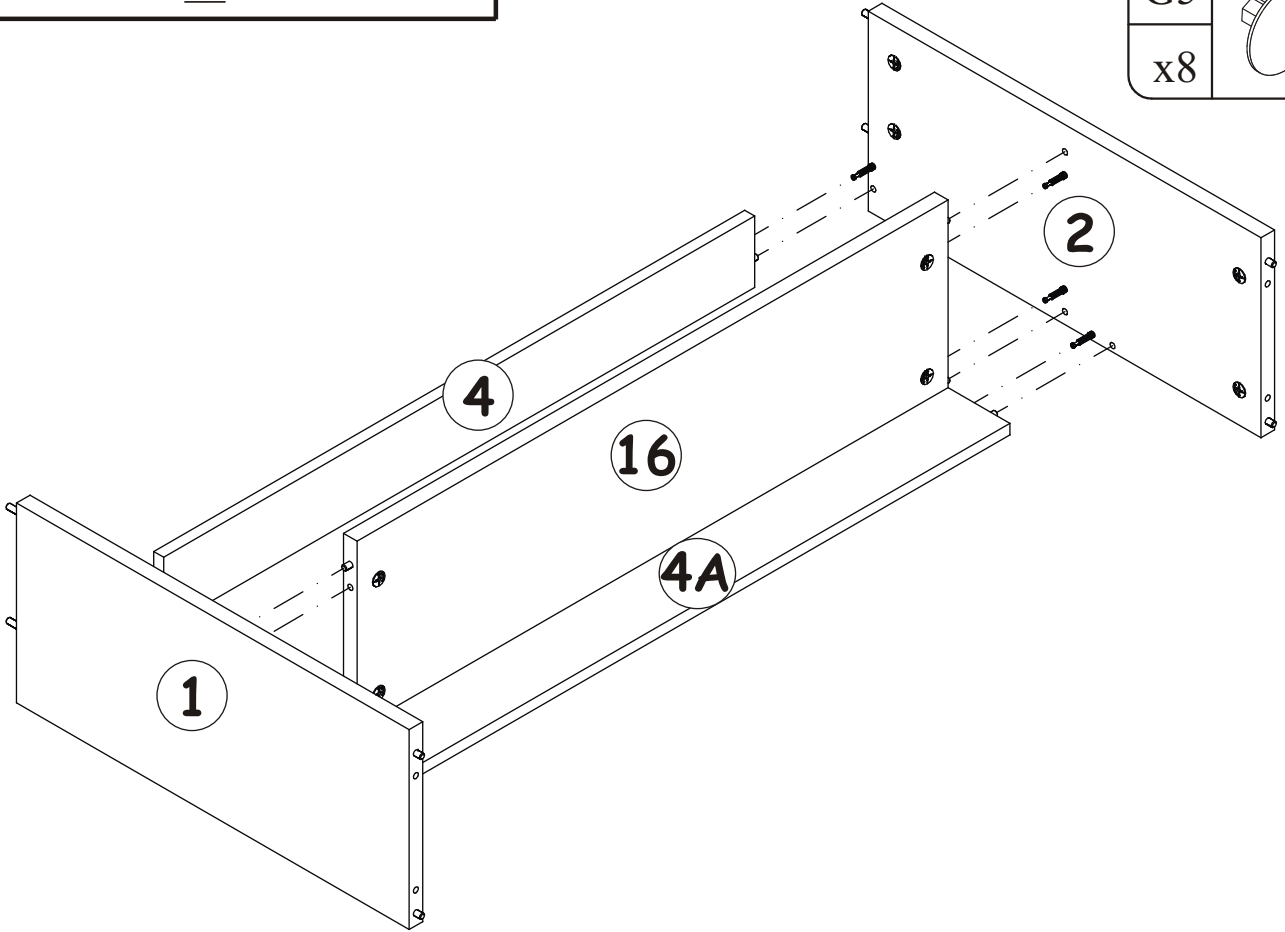
11

S1		UP13		UP6	
x2		x8	UPØ3x16	x2	UPØ4x30

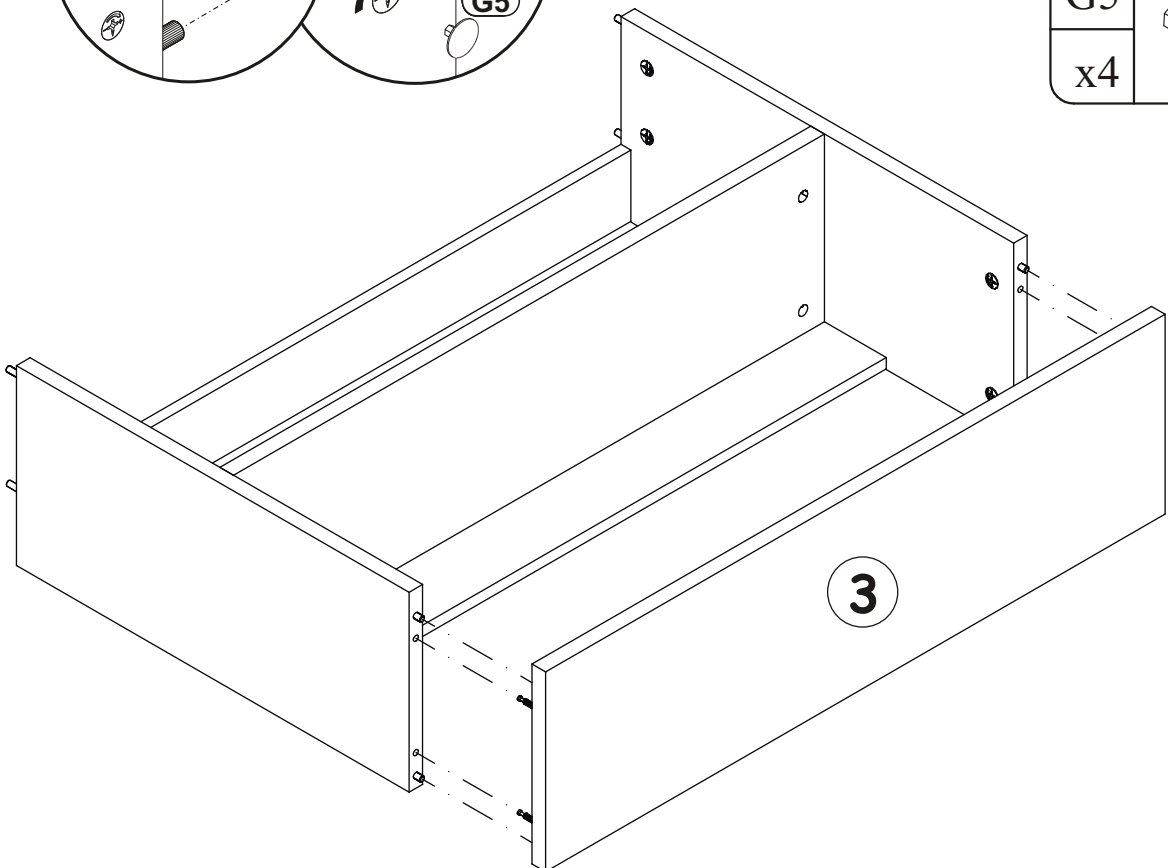
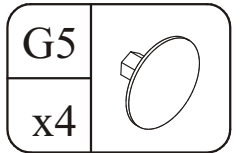
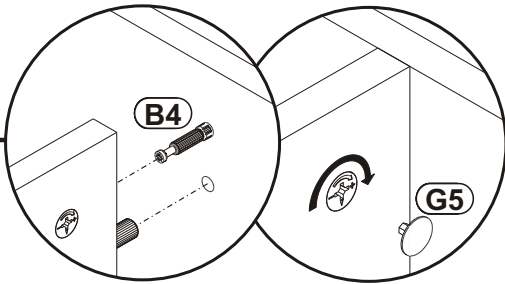




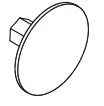
12



13

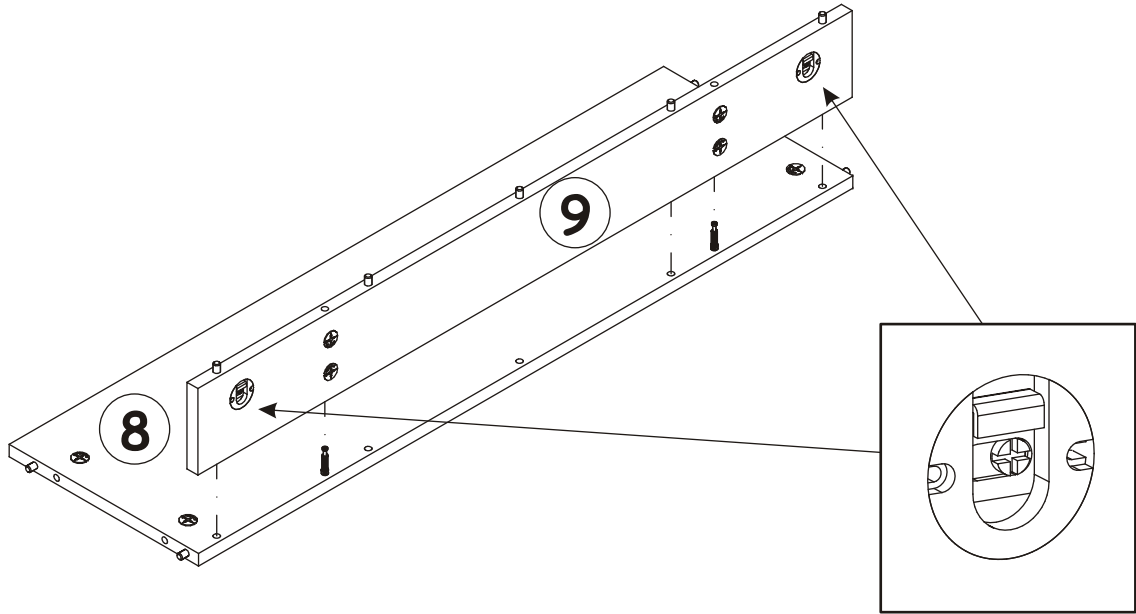


G5

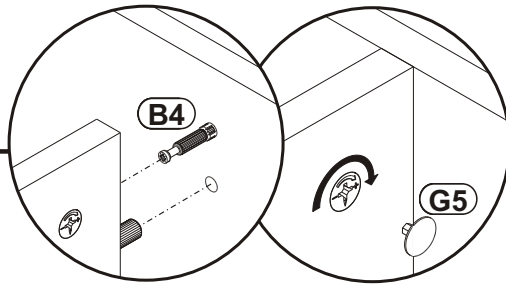


x2

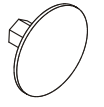
14



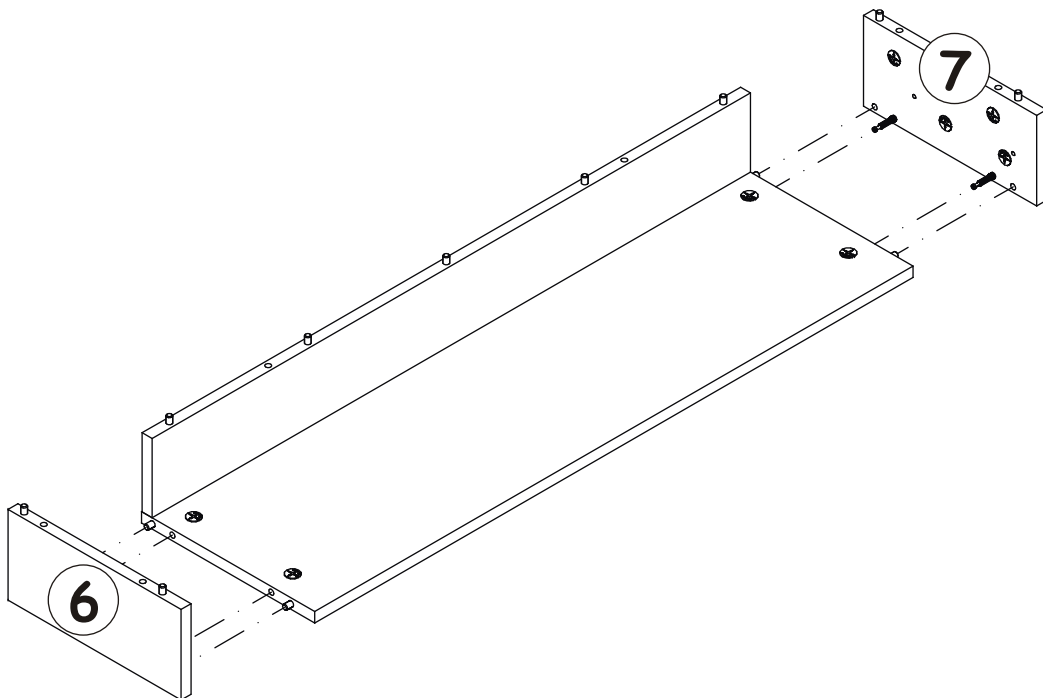
15




G5

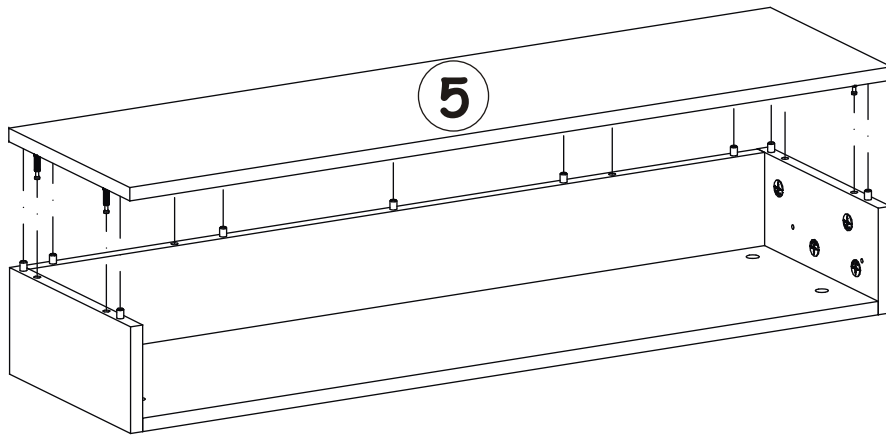


x4

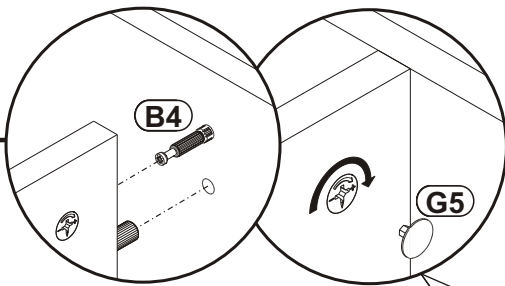


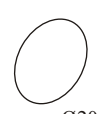


G5	
x6	

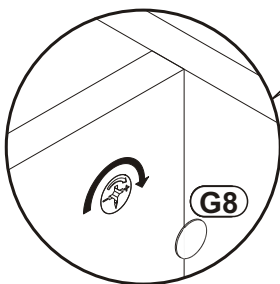
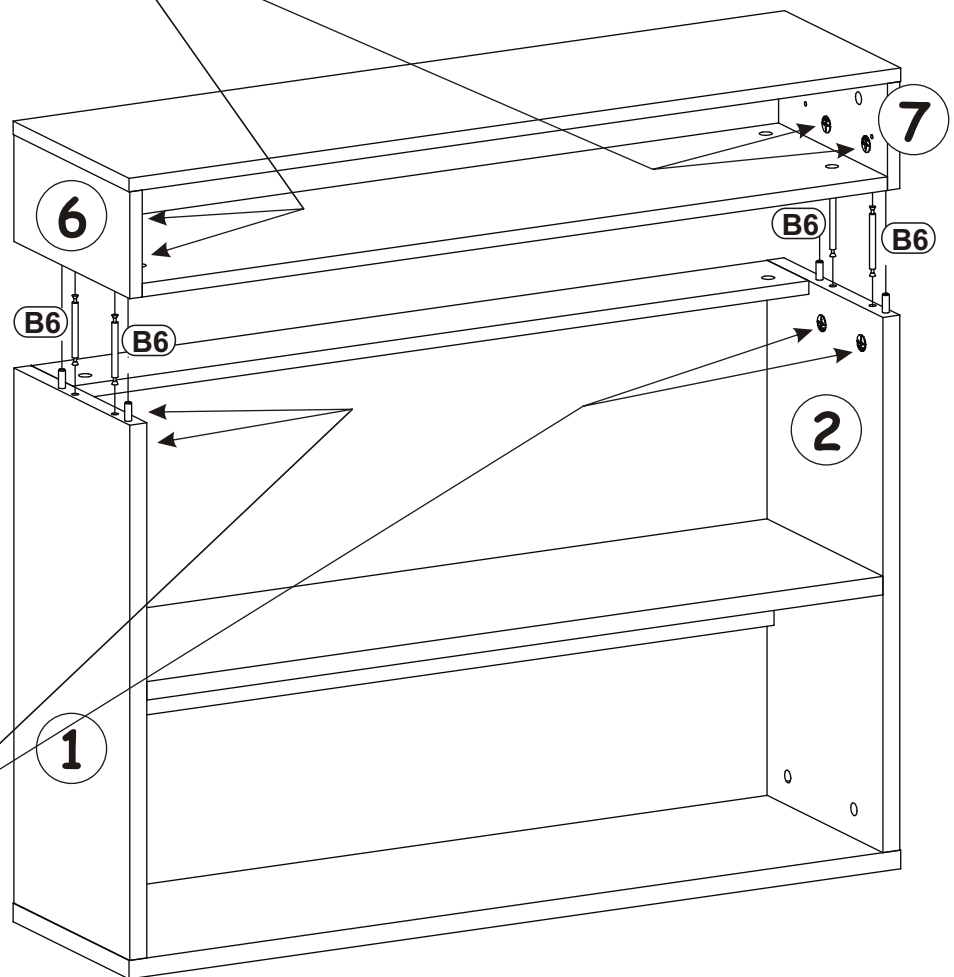
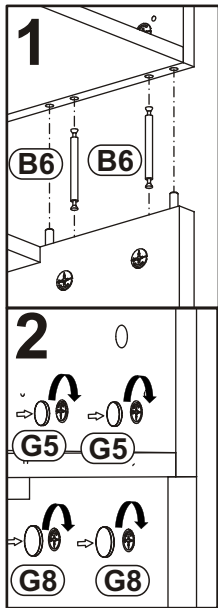
16



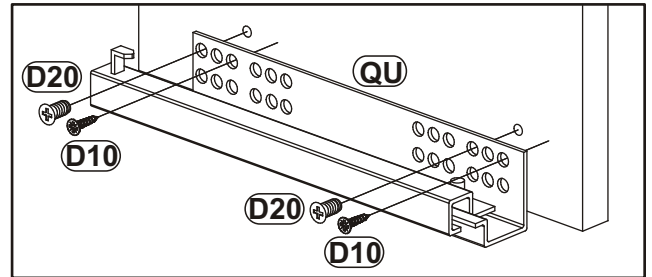
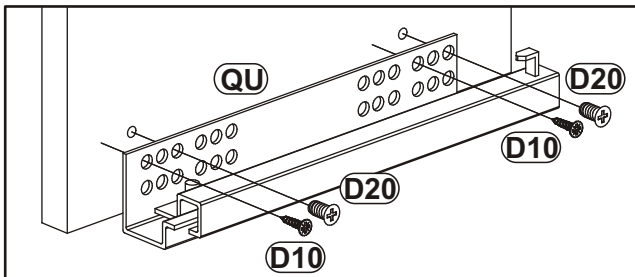
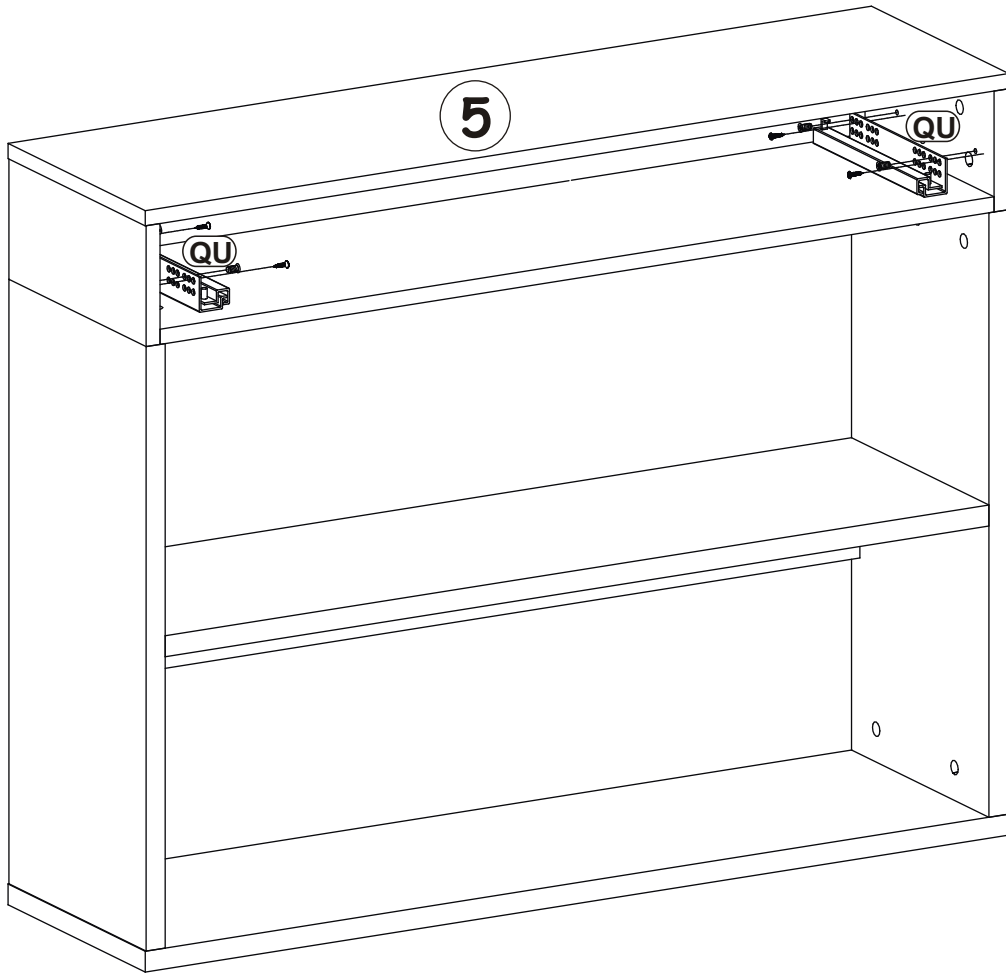
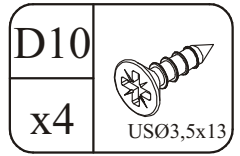
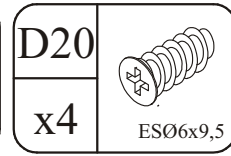
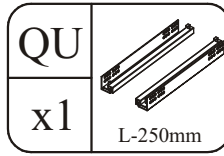
17

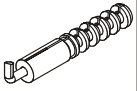


G8		B6		G5	
x4	Ø20	x4	Ø7x76	x4	

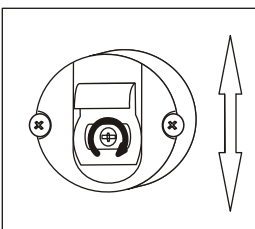
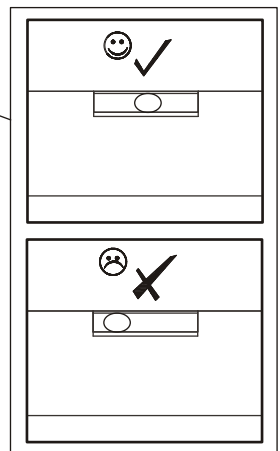
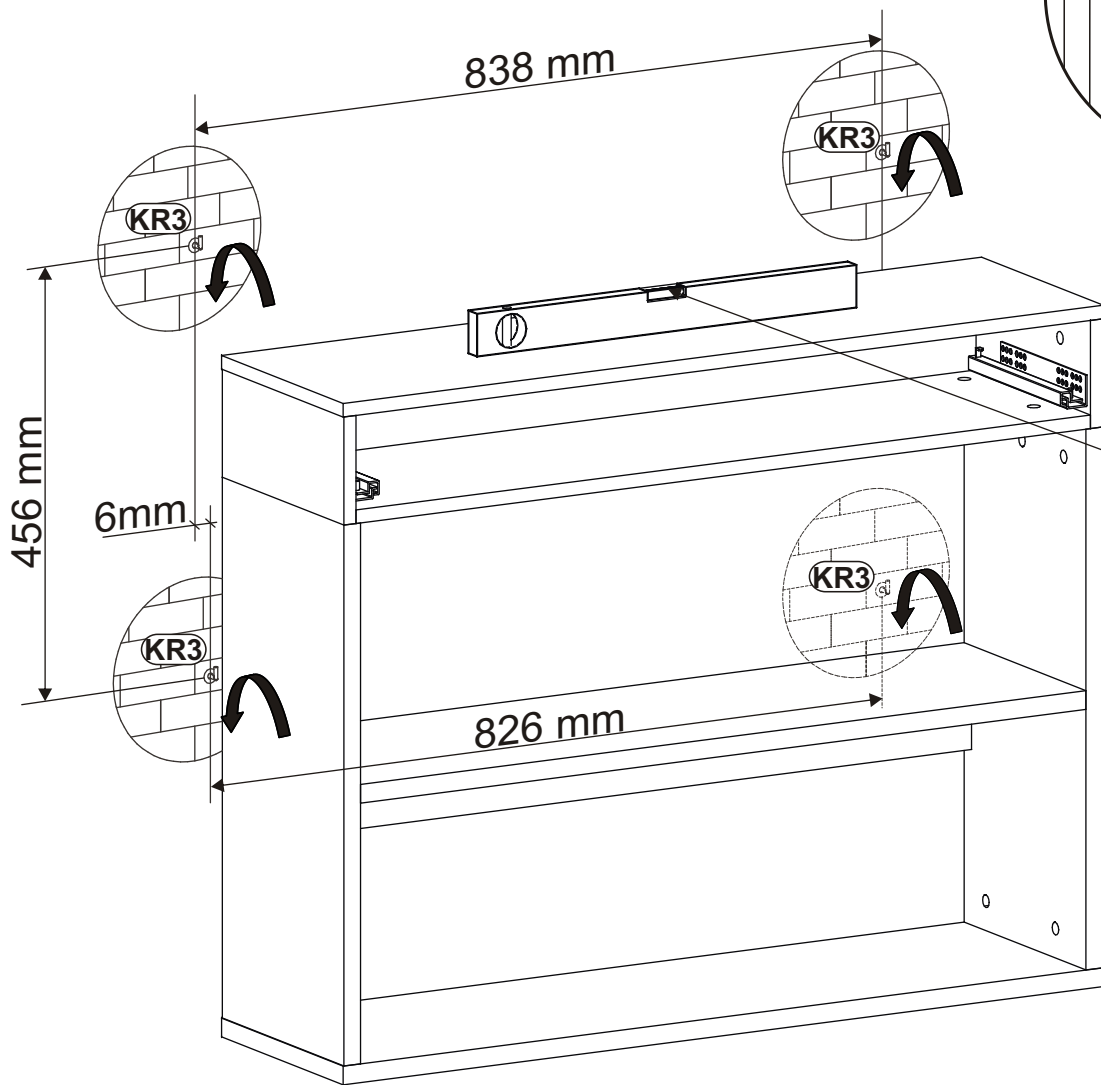
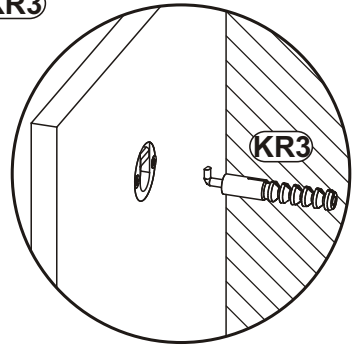
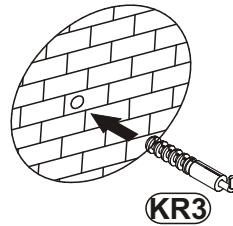
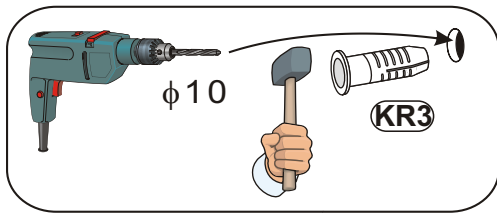
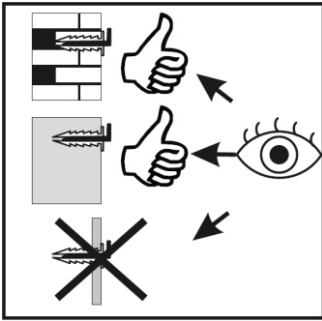


18



KR3	
x4	Ø10

19



20

