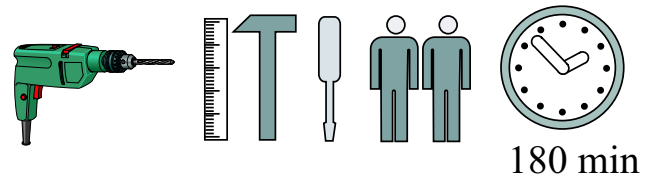
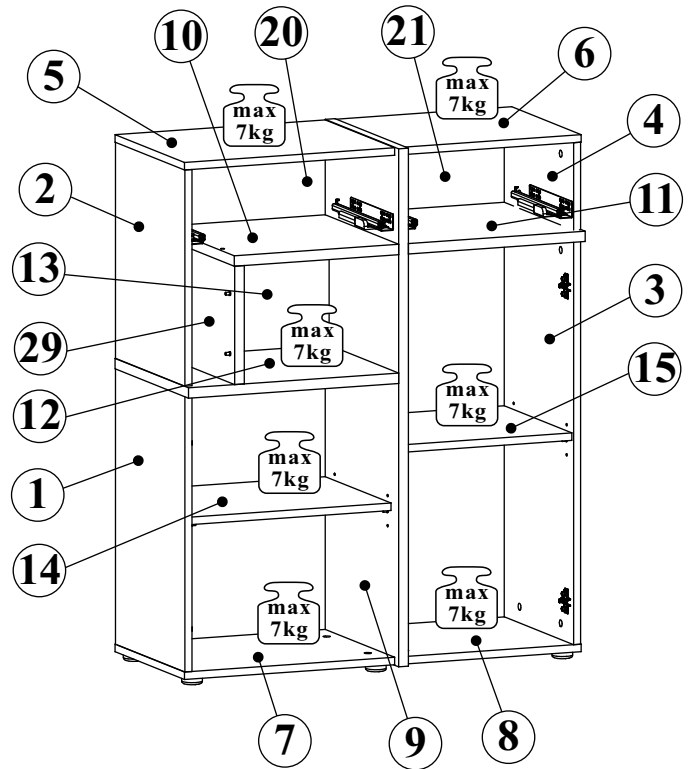
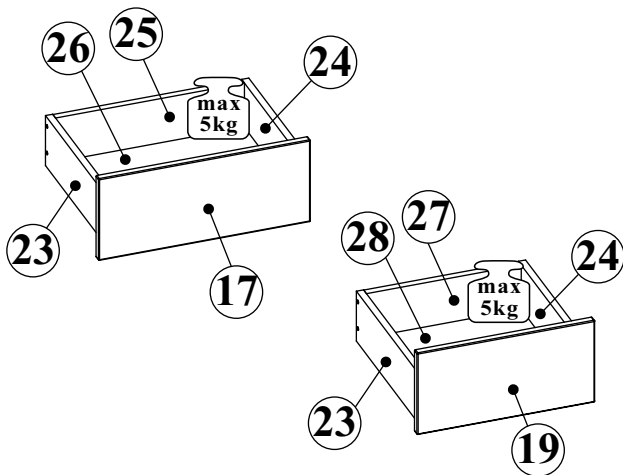
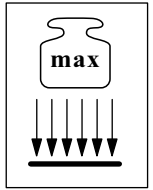
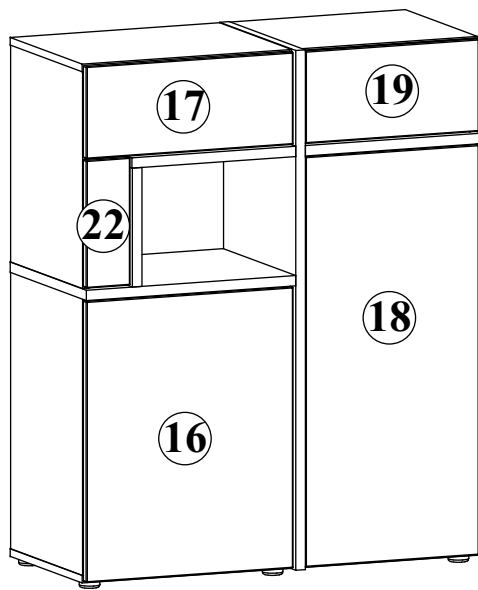


CROSS 28PEWCS WSN

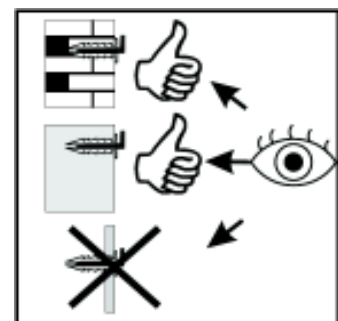
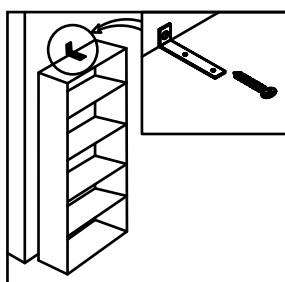
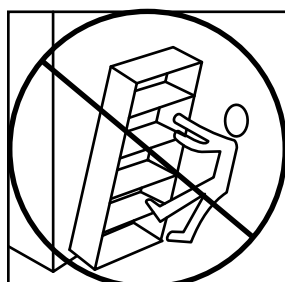
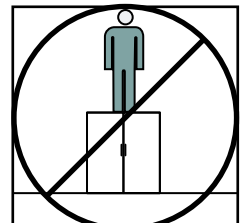
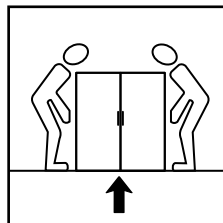
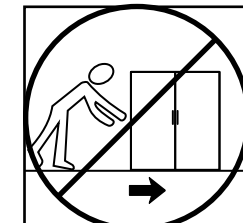
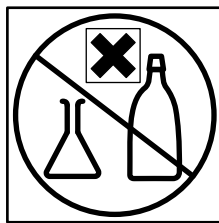
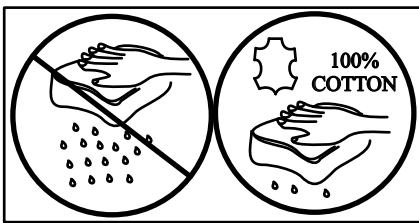
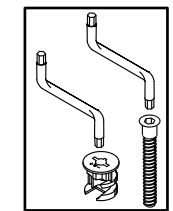
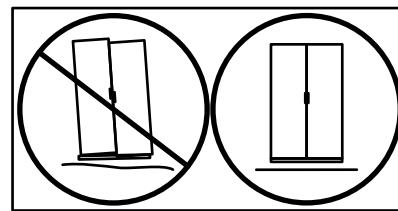
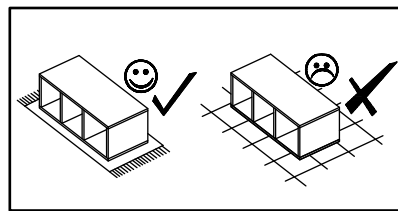
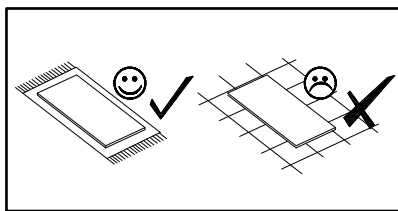
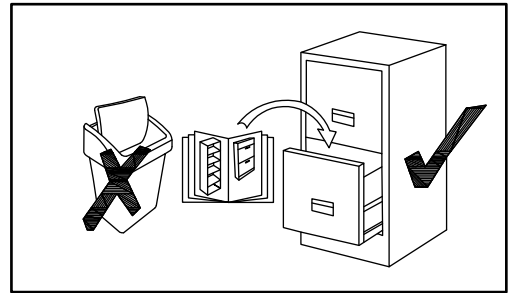
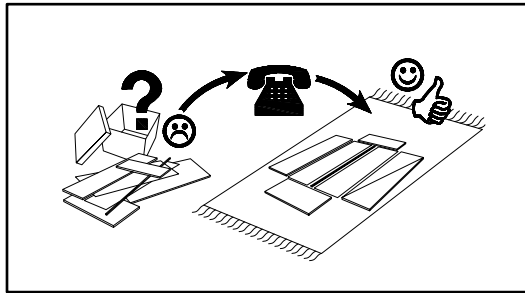
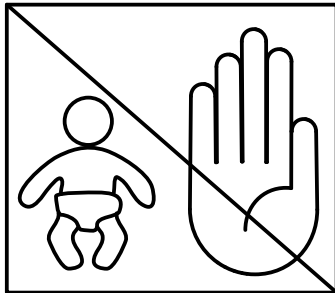
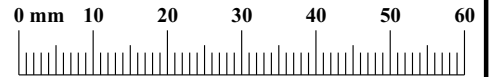


NO	Dim.		Col.-No	Qty	
1	586	377	16	2	1
2	460	377	16	2	1
3	860	377	16	2	1
4	186	377	16	2	1
5	478	377	16	2	1
6	402	377	16	2	1
7	478	377	16	2	1
8	402	377	16	2	1
9	1102	399	22	1	1
10	374	399	22	1	1
11	402	399	22	1	1
12	478	399	22	1	1
13	350	251	22	1	1
14	461	367	16	2	1
15	385	367	16	2	1

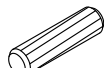
NO	Dim.		Col.-No	Qty	
16	596	472	16	1	1
17	196	472	16	1	1
18	870	396	16	1	1
19	196	396	16	1	1
20	1094	485	3	1	1
21	1094	410	3	1	1
22	271	100	16	1	1
23	350	120	16	2	2
24	350	120	16	2	2
25	421	106	16	2	1
26	354	433	3	2	1
27	345	106	16	2	1
28	354	357	3	2	1
29	252	399	22	1	1

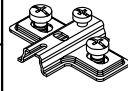
CROSS 28PEWCS WSN


A1 x42 ø8x36	B4 x14	B6 x10 Ø7x76	B5 x28 ø15x12	B16 x6 Ø15x16	G5 x34
E21 x4 Ø35 H=0	E2 x4 H=0	D10 x22 USØ3,5x13	QU x2 L-350mm	D20 x8 ESØ6,3x9,5	G7 x10
I11 x6 Ø45, h=15	UP15 x6 UPØ4x25	S1 x2	G16 x10	UP13 x42 UPØ3x16	T3 x2
B11 x8 Ø7x50	B15 x8 Ø7x60	G4 x16	L6 x2	D31 x4 EKØ6,3x13	G2 x1
KR1 x1	L1 x1				

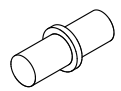


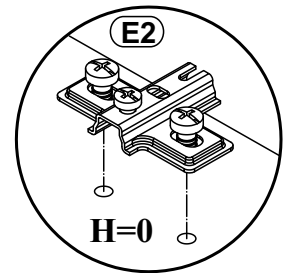
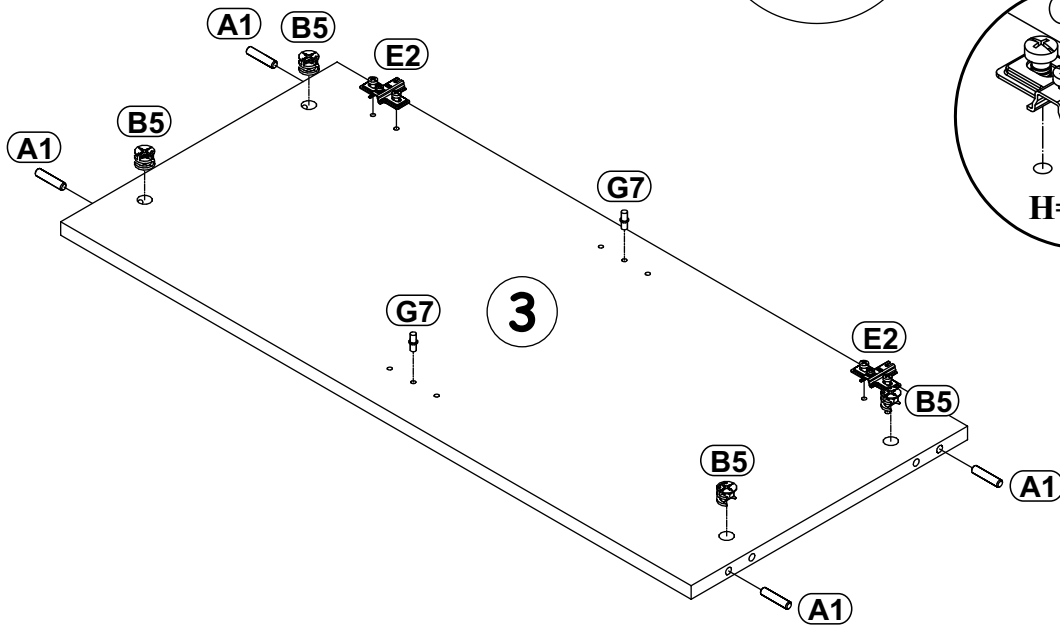
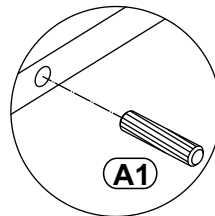
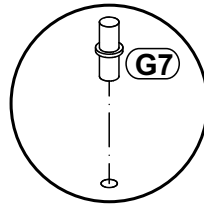
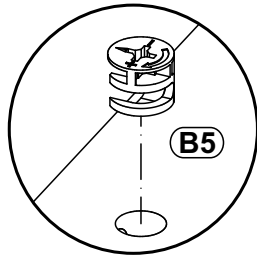
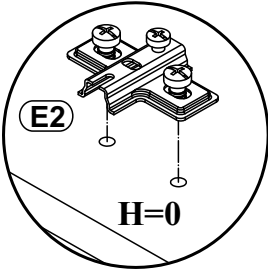
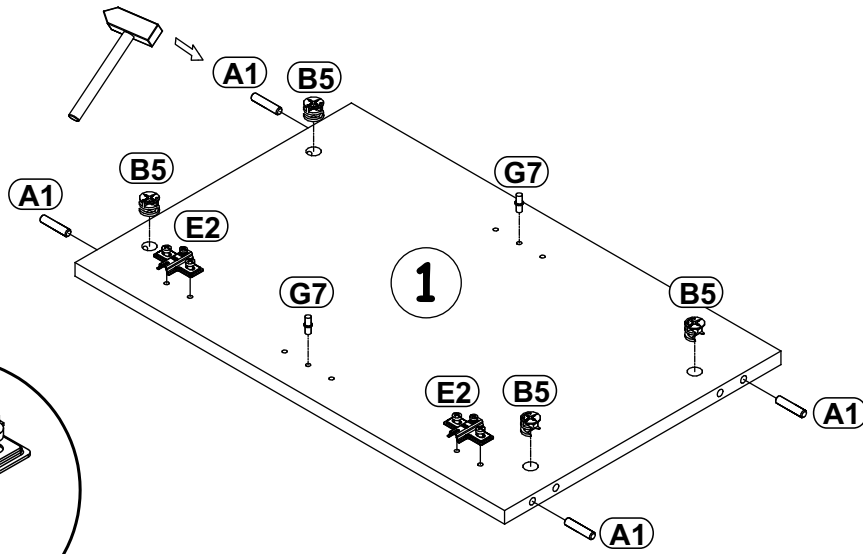
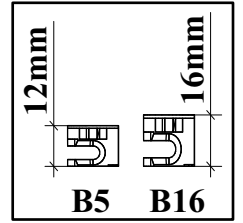
1

A1	
x8	ø8x36

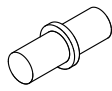
E2	
x4	H=0

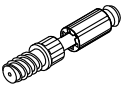
B5	
x8	ø15x12

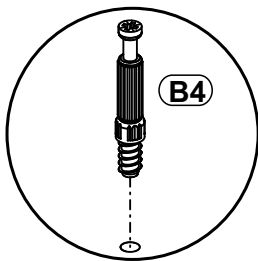
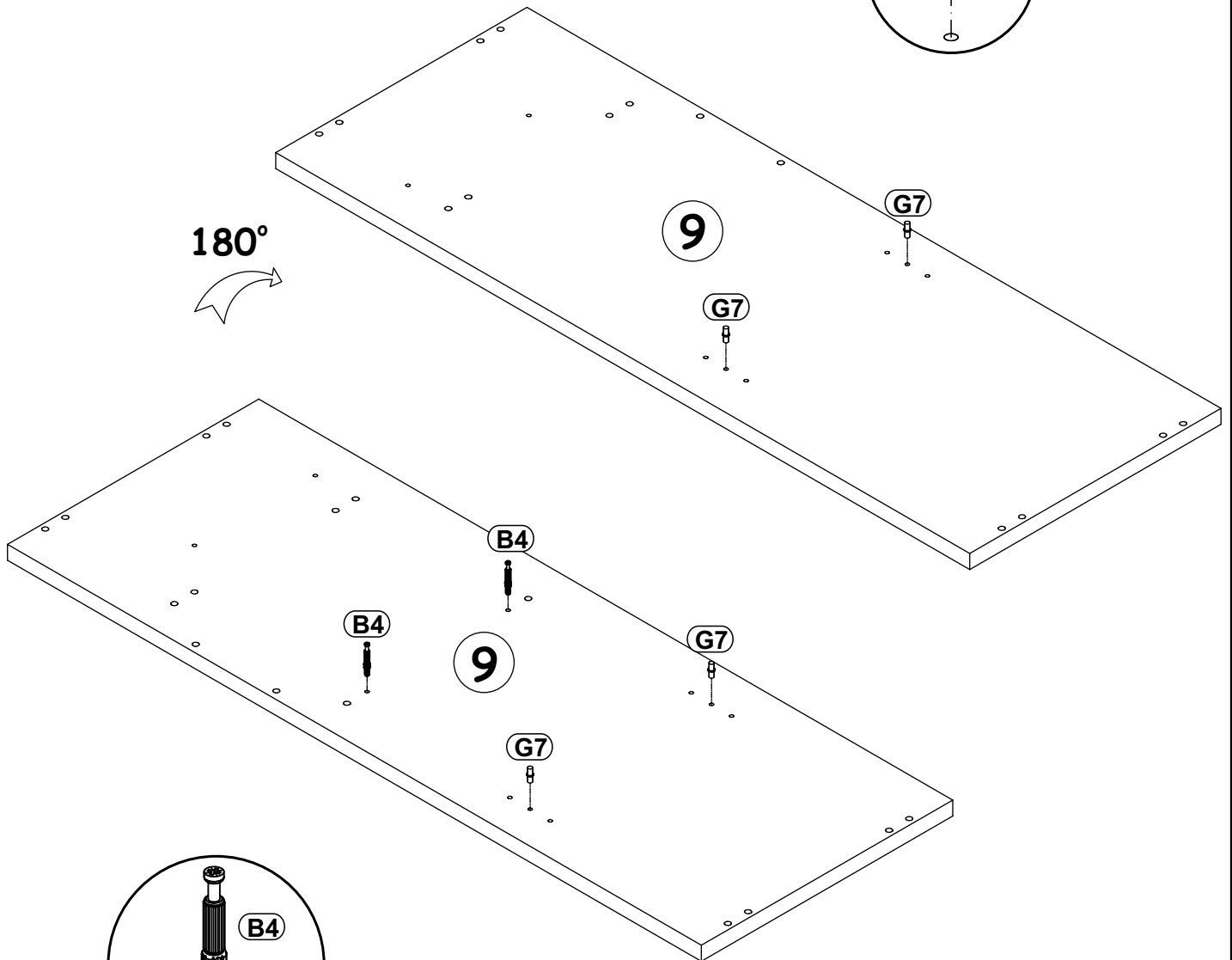
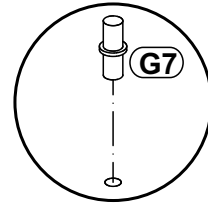
G7	
x4	



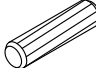
2


G7	
x4	

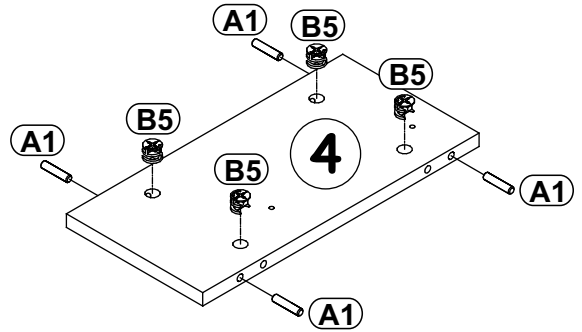
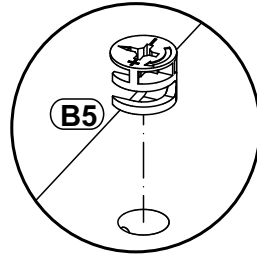
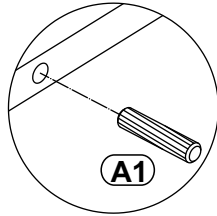
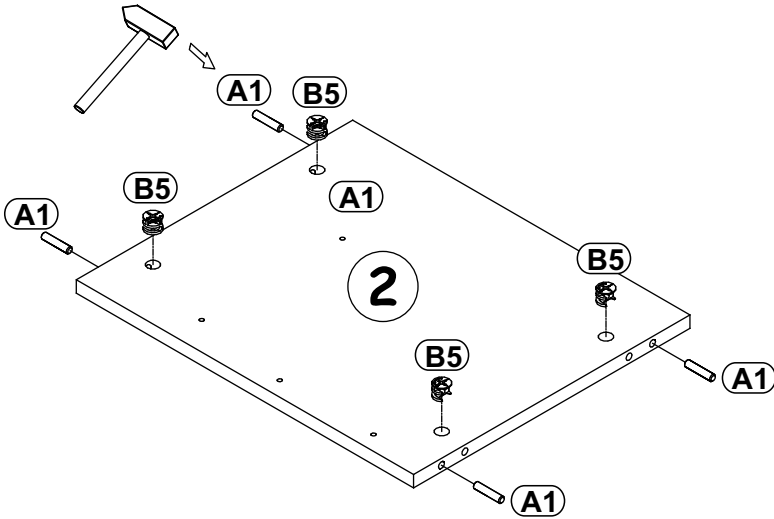
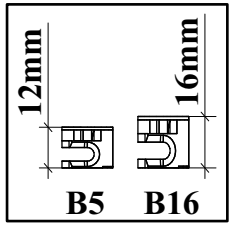
B4	
x2	



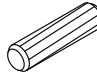
3

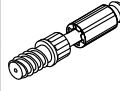
A1	
x8	ø8x36


B5	
x8	ø15x12

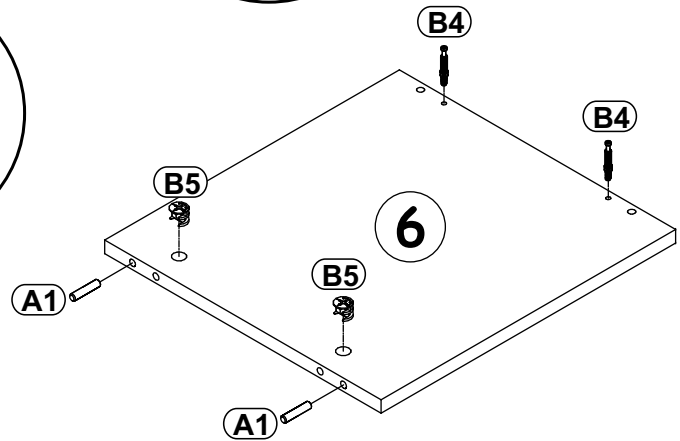
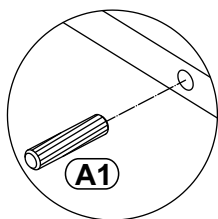
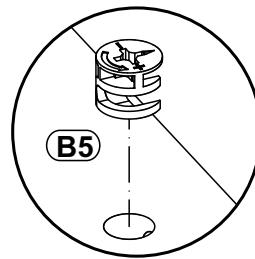
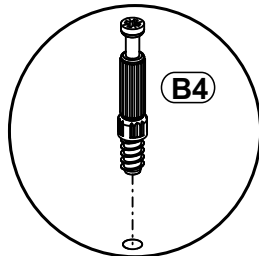
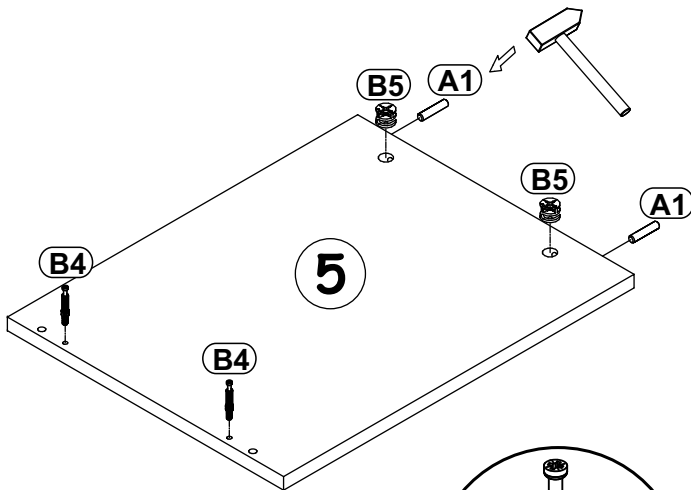


4

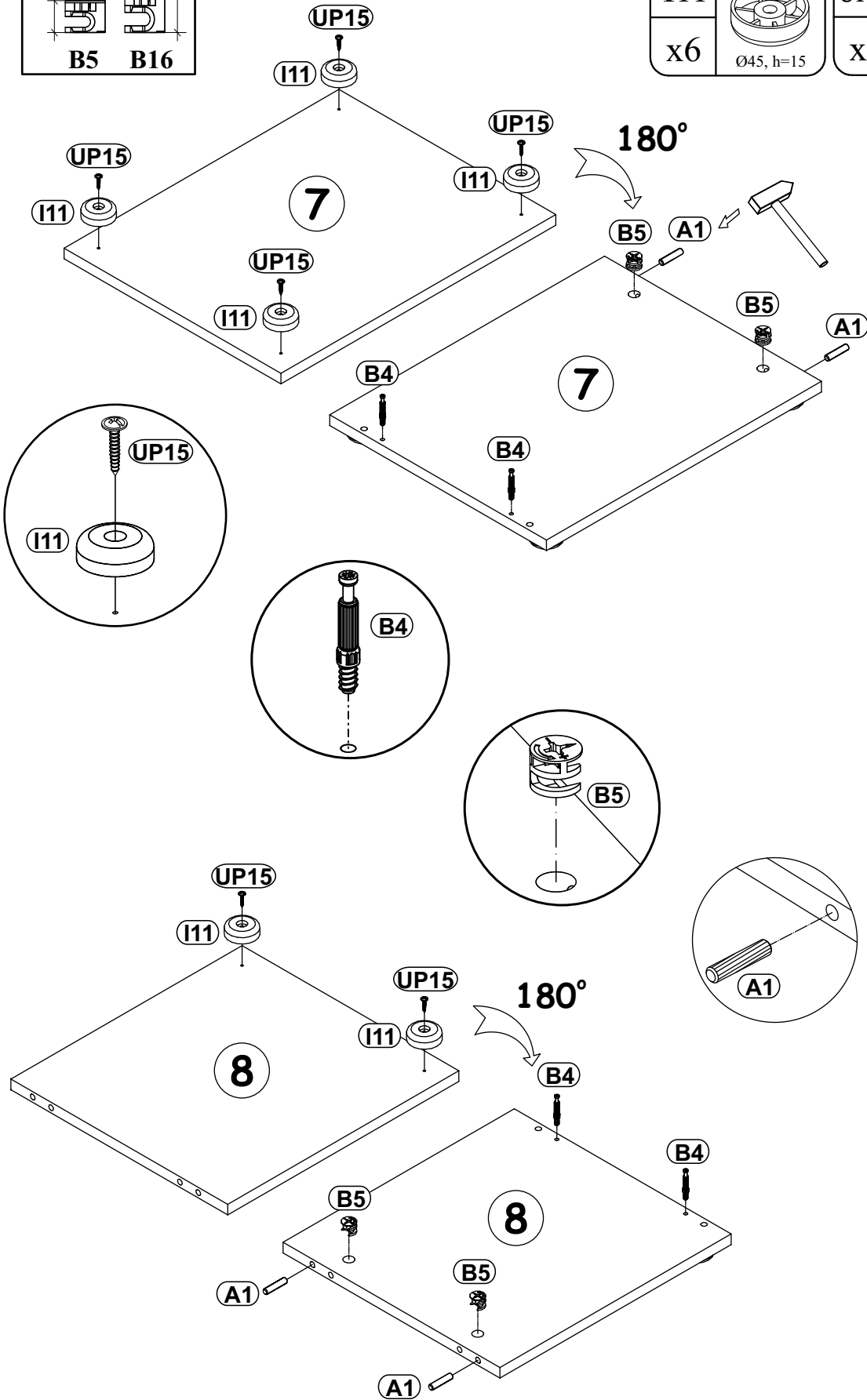
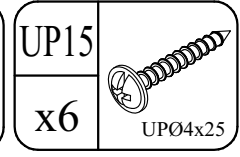
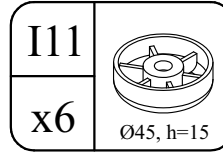
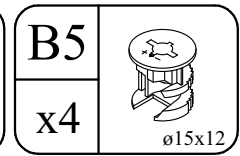
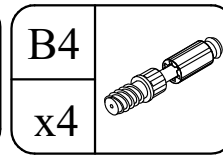
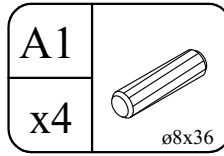
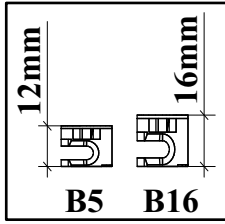
A1	
x4	ø8x36

B4	
x4	

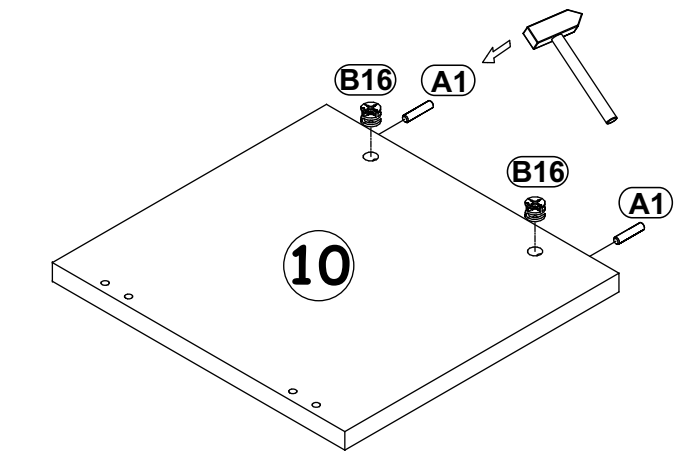
B5	
x4	ø15x12

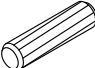


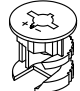
5

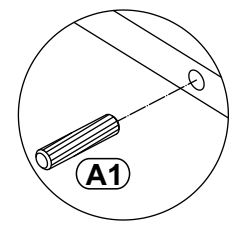
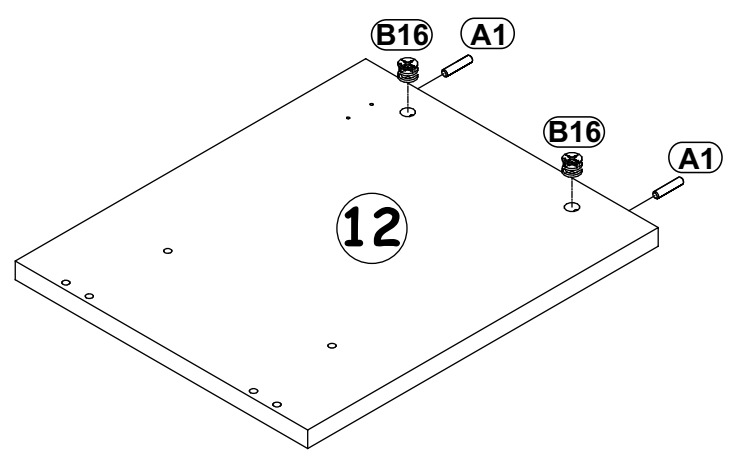
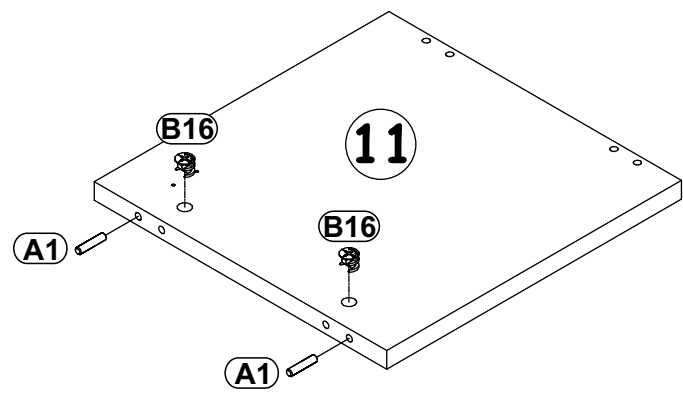
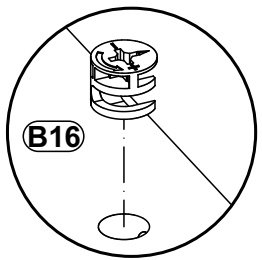
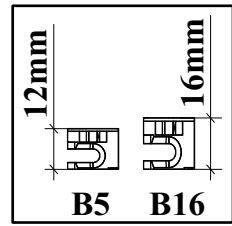


6

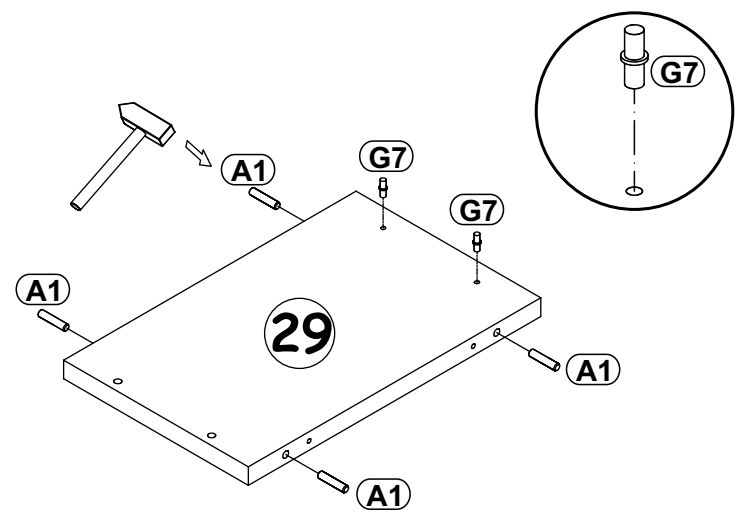


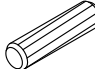
A1	
x6	ø8x36

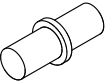
B16	
x6	Ø15x16

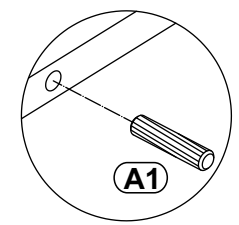
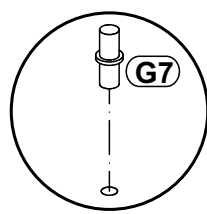


7

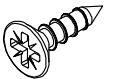


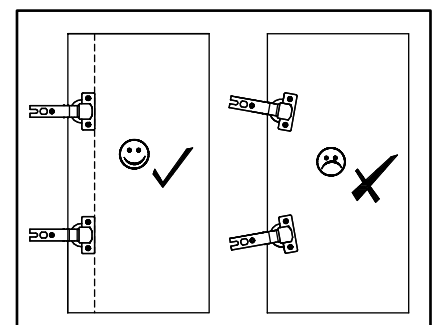
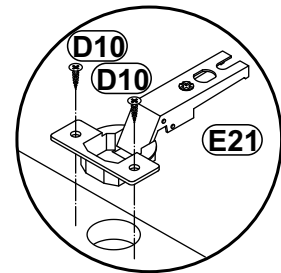
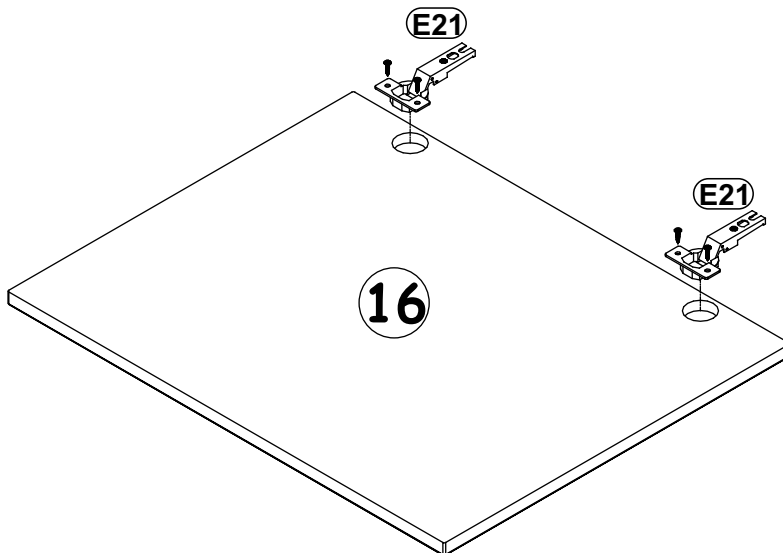
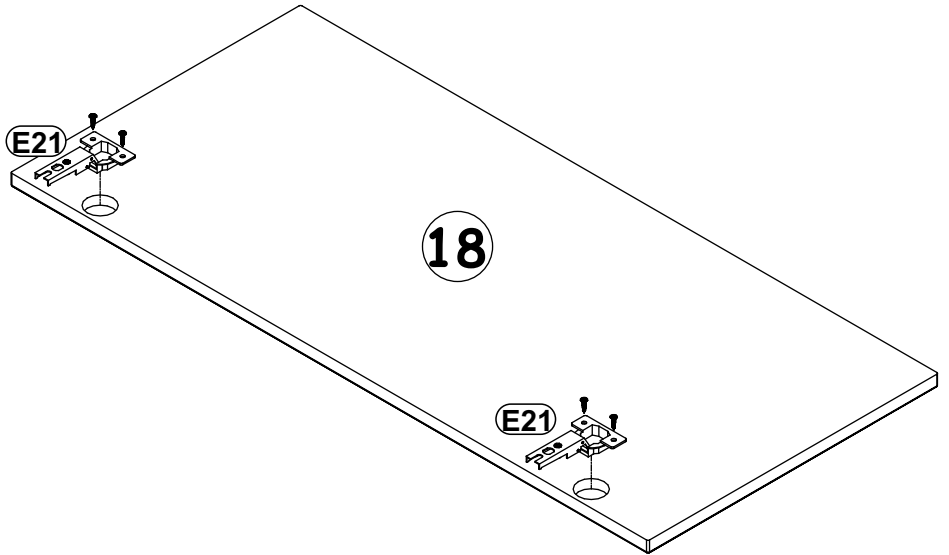
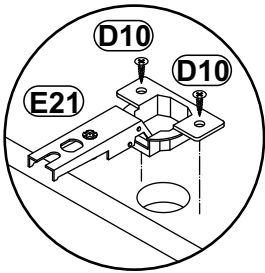
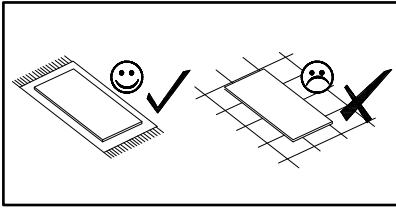
A1	
x4	ø8x36

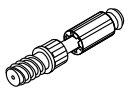
G7	
x4	



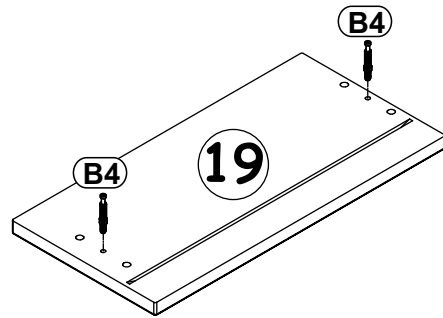
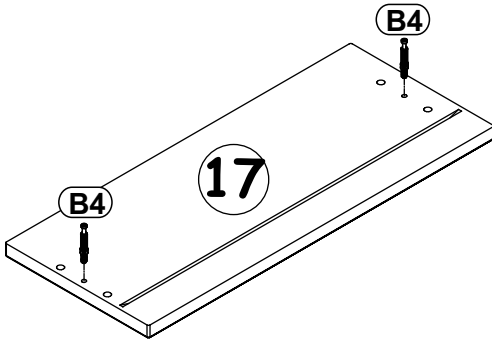
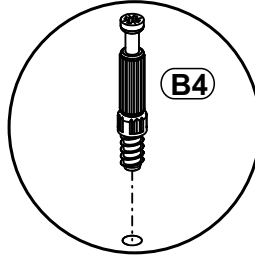
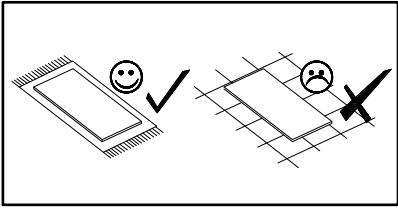
8

E21	Ø35	D10	 USØ3,5x13
x4	H=0	x8	

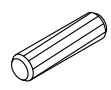



B4	
x4	

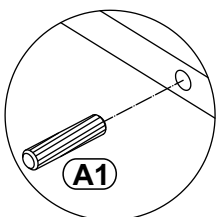
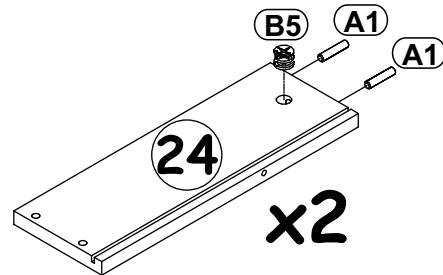
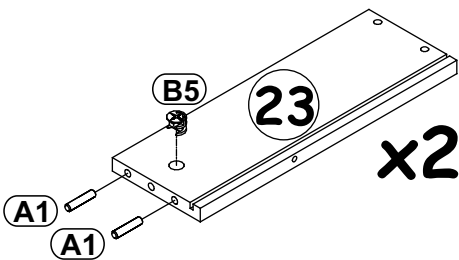
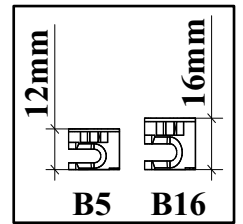
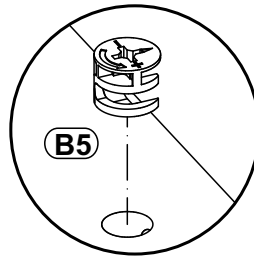
9



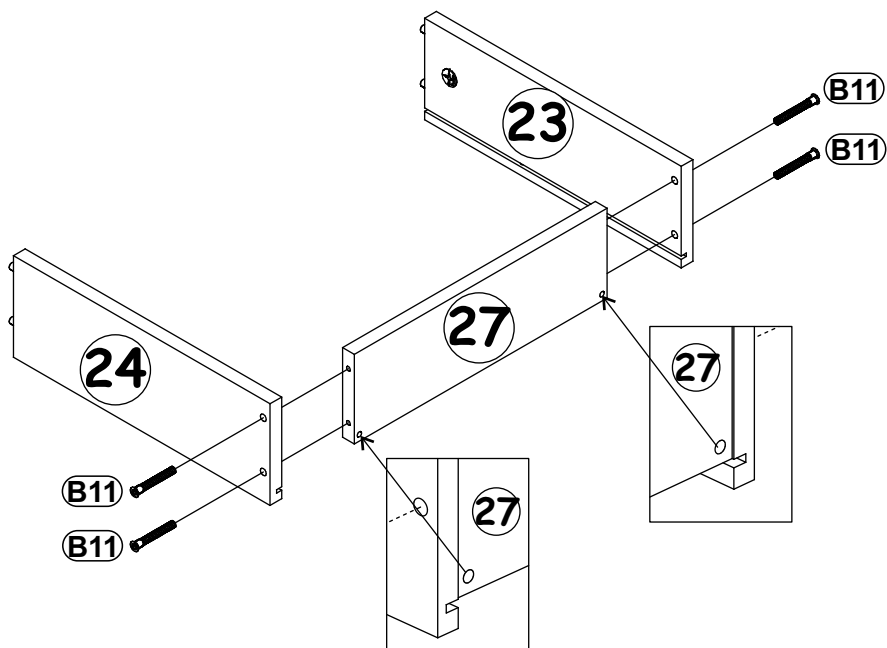
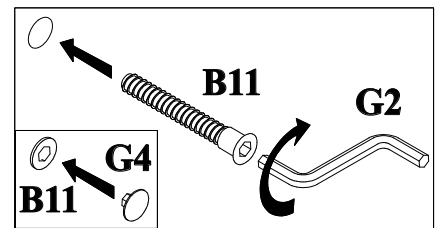
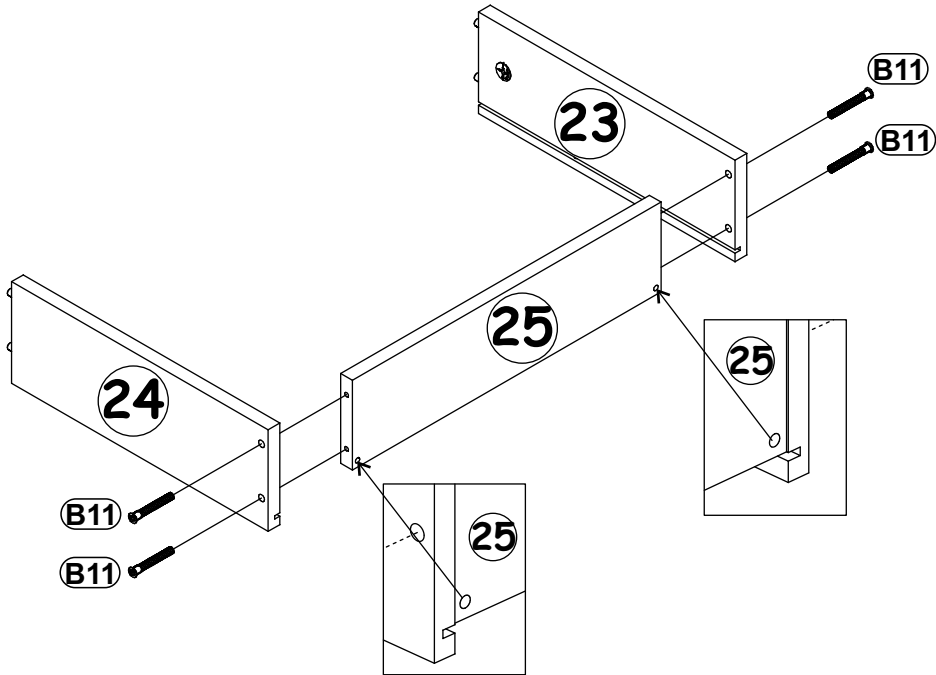
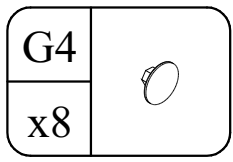
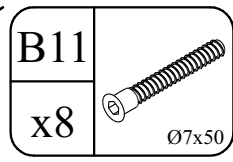
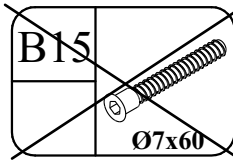
10


A1	
x8	

B5	
x4	

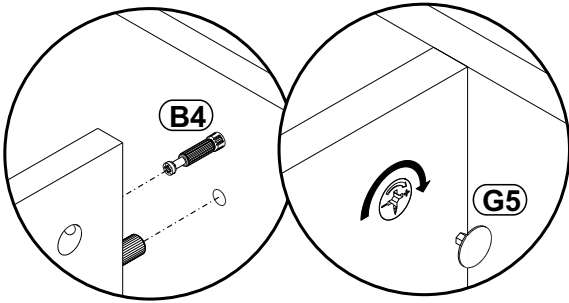
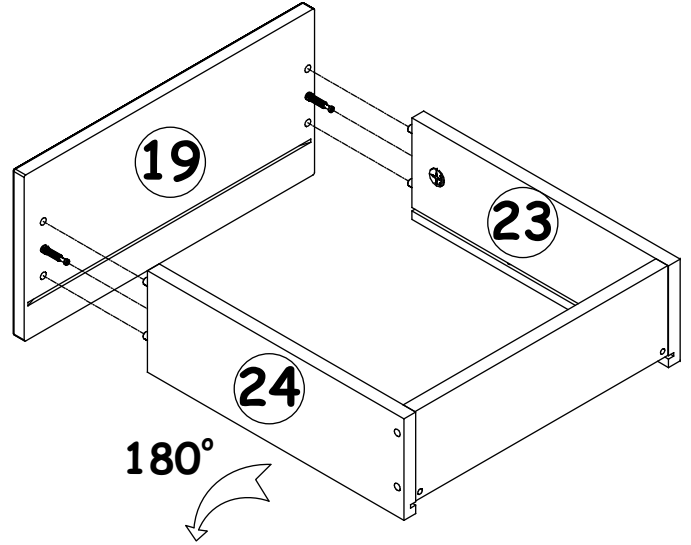
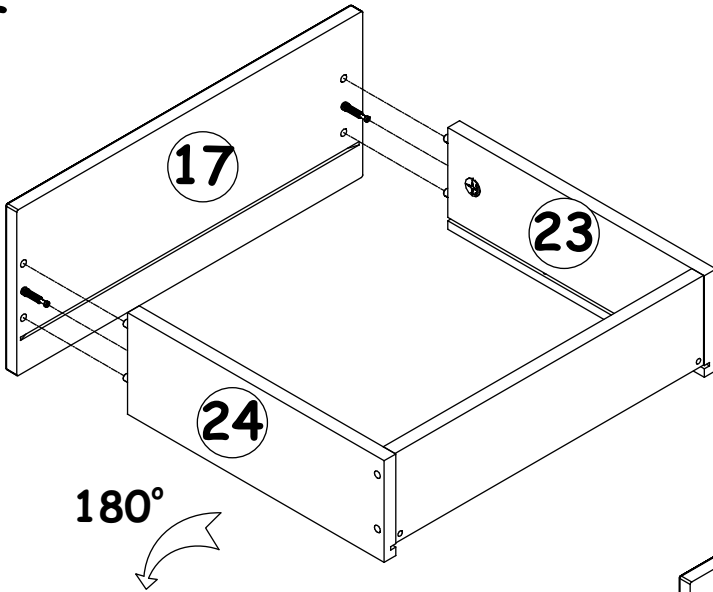


11

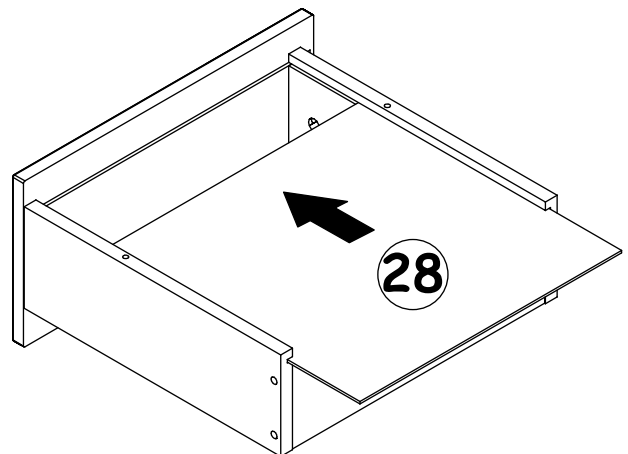
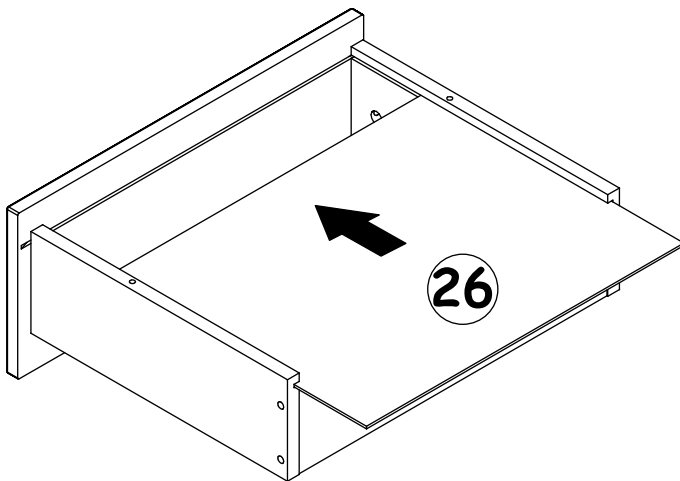


G5	
x4	

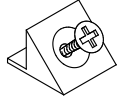
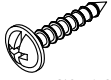
12

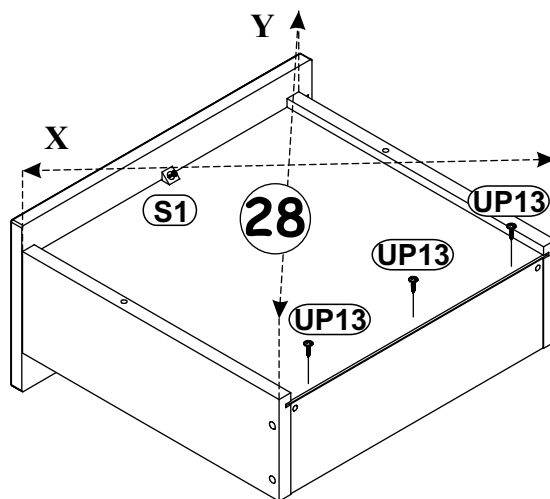
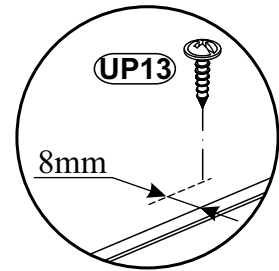
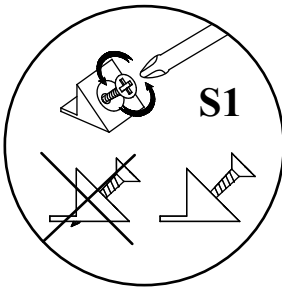
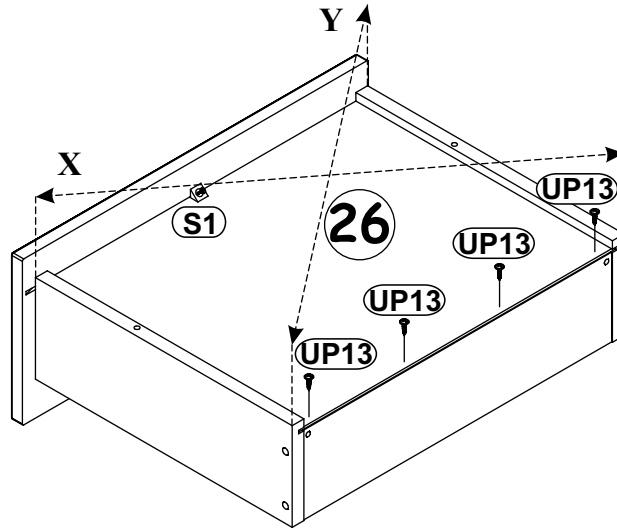
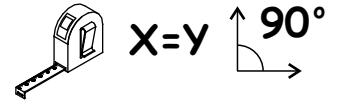


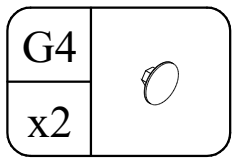
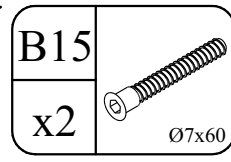
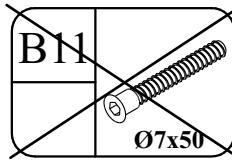
13



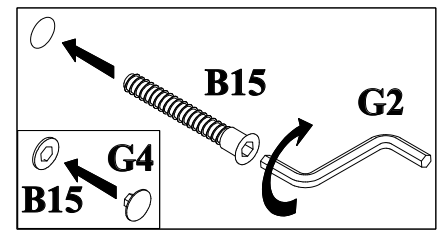
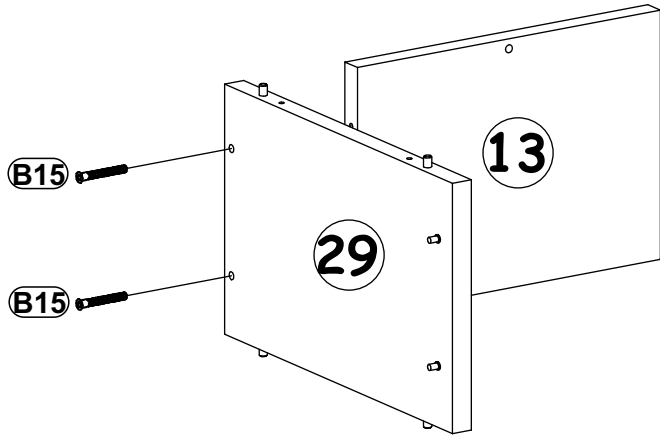
14

S1		UP13	
x2		x7	UPØ3x16

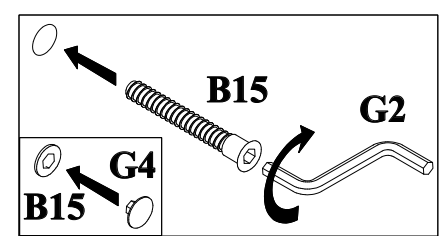
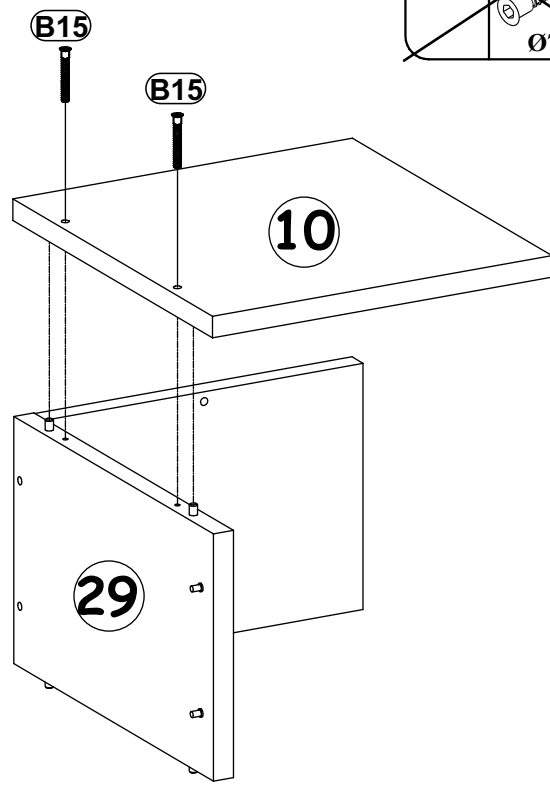
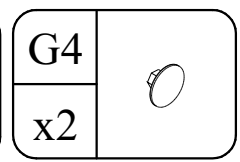
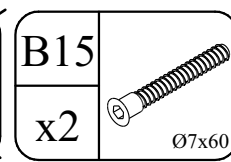
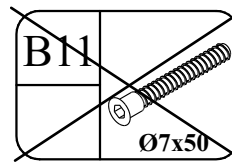




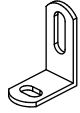
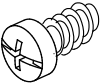
15

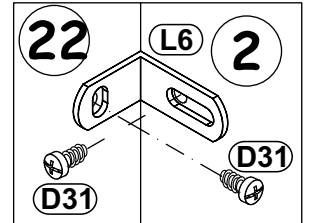
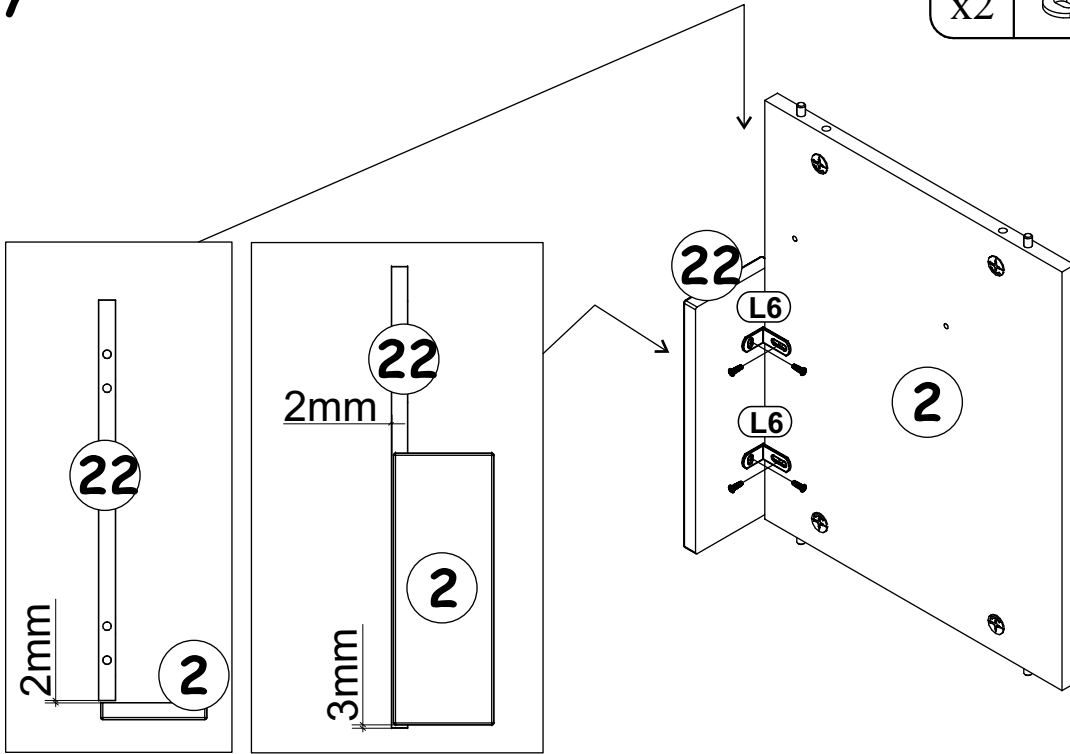


16

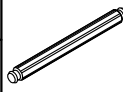



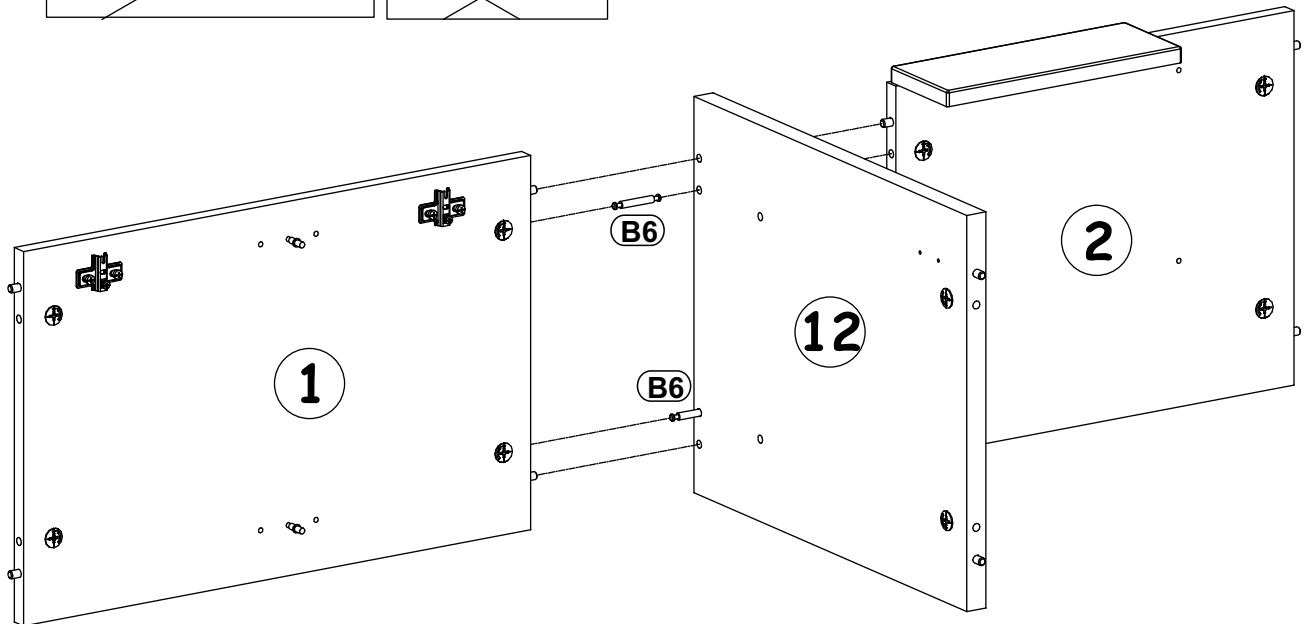
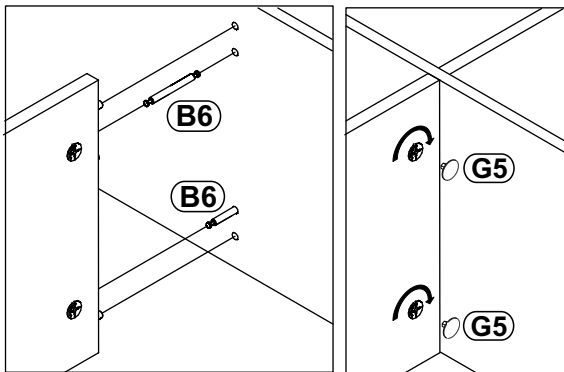
17


L6		D31	
x2		x4	EKØ6,3x13



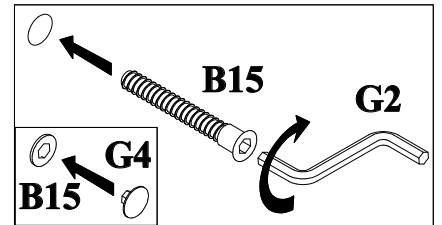
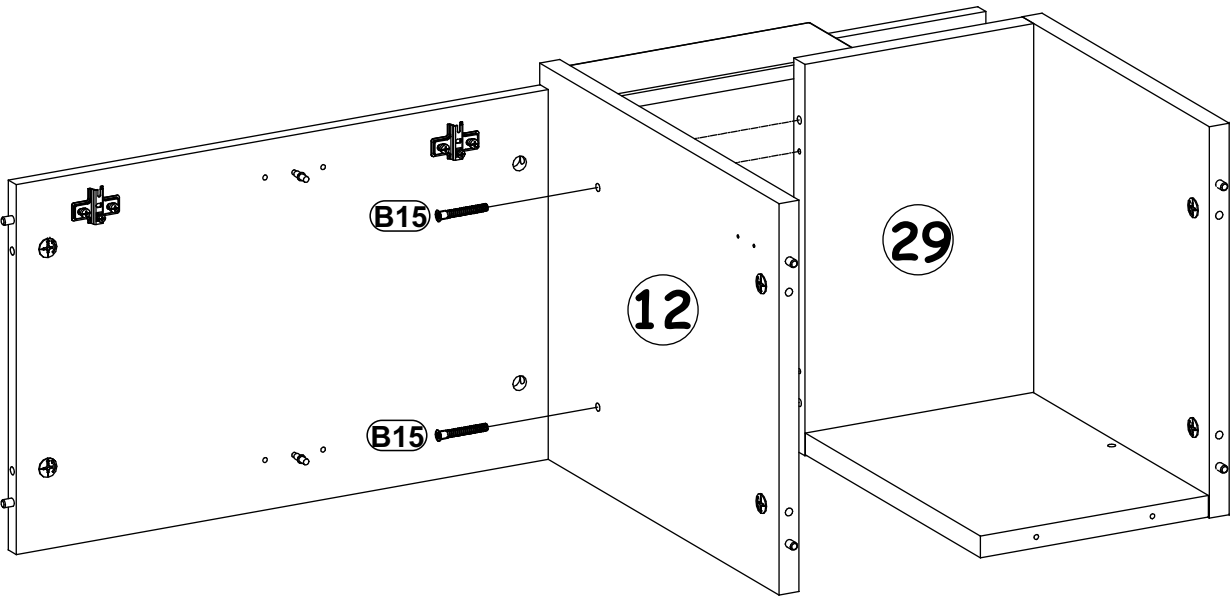
18

B6		G5	
x2	Ø7x76	x4	

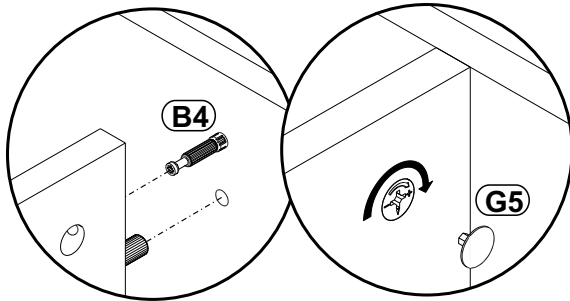



B11	Ø7x50	B15	Ø7x60	G4	
		x2		x2	

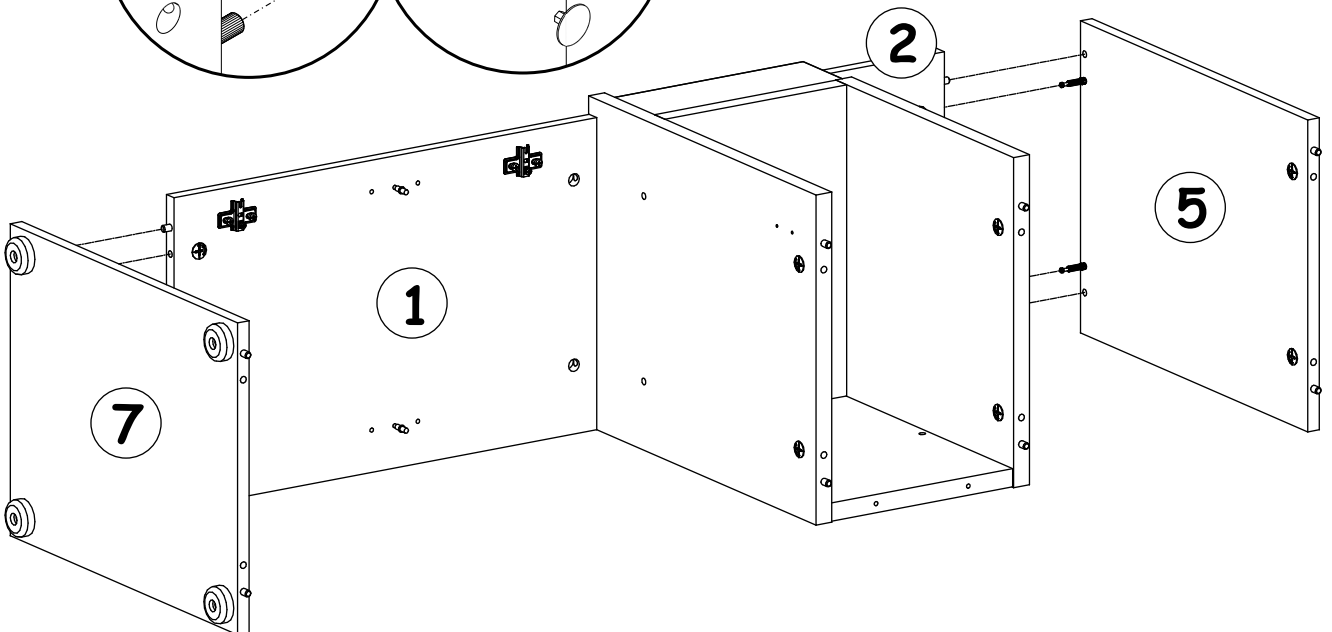
19





20

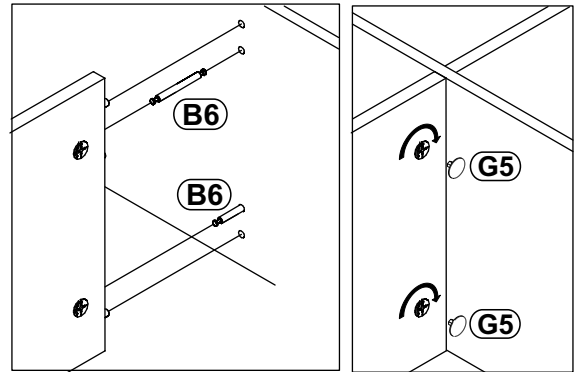
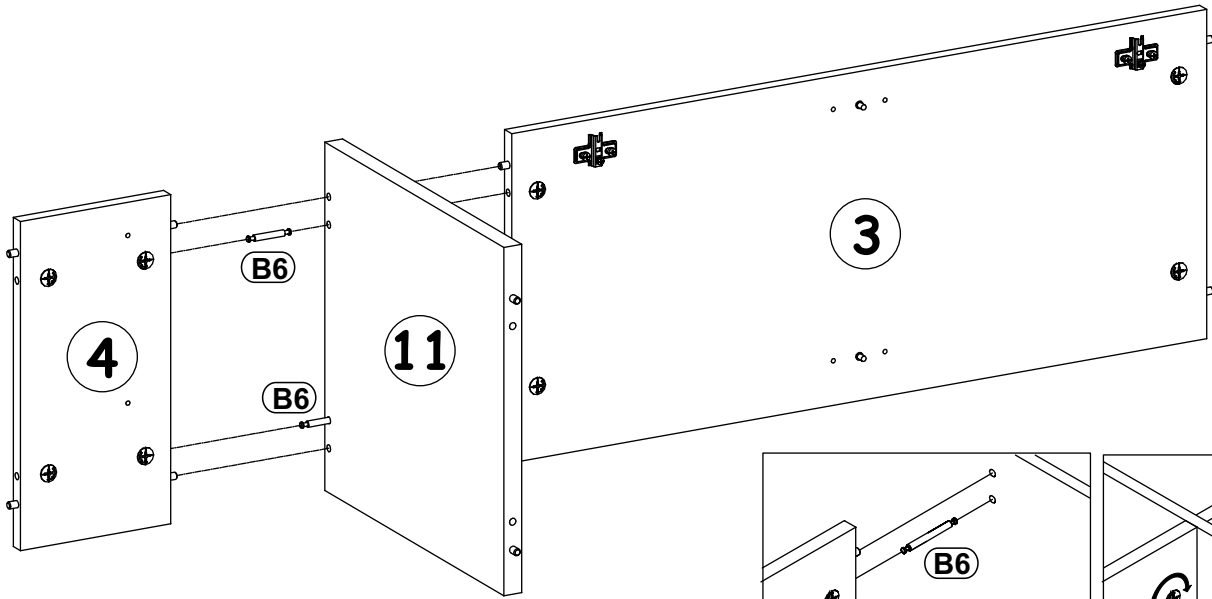


G5	
x4	




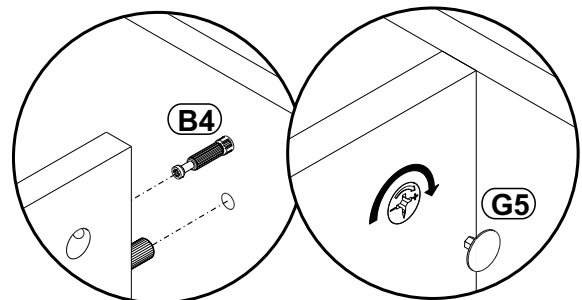
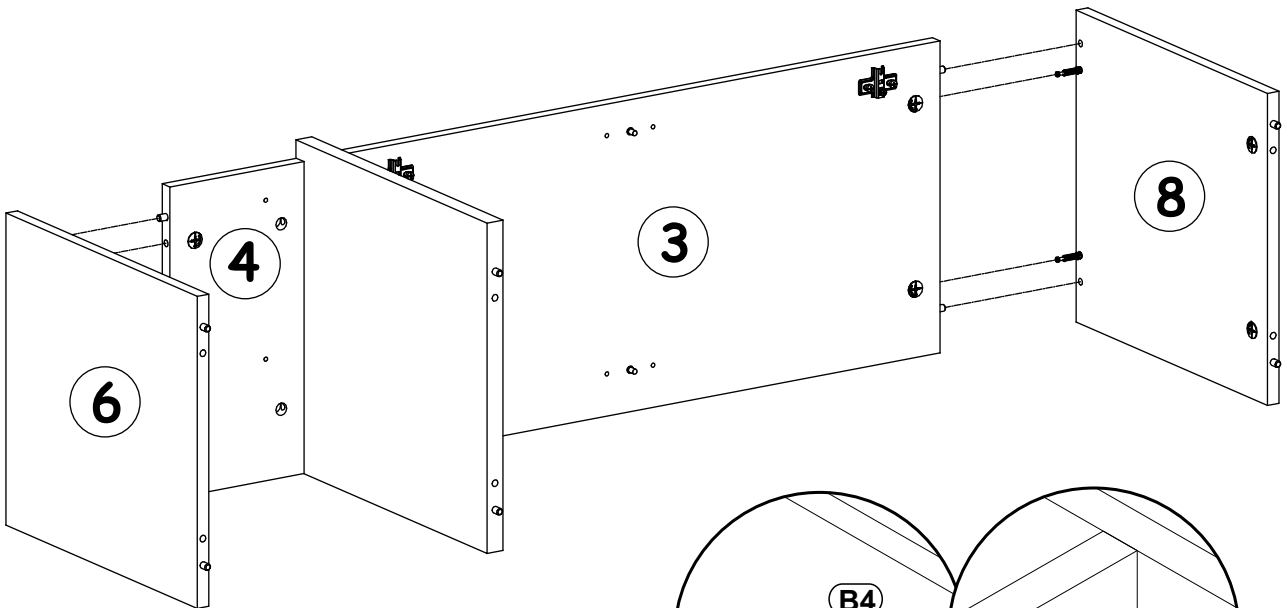
21

B6		G5	
x2		Ø7x76	

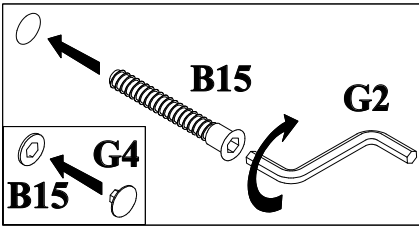
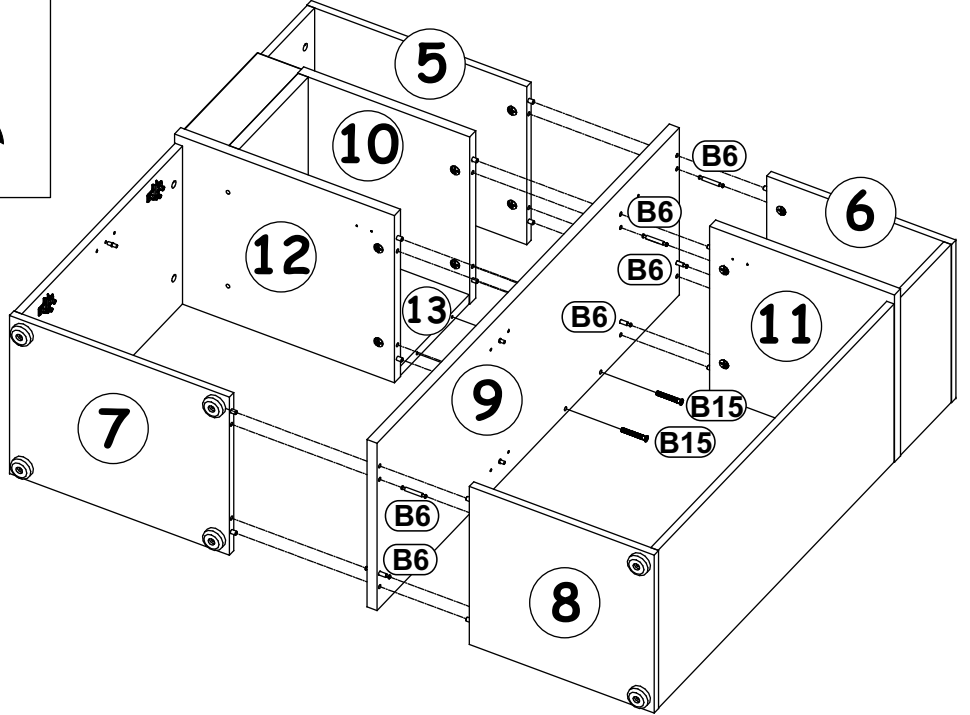
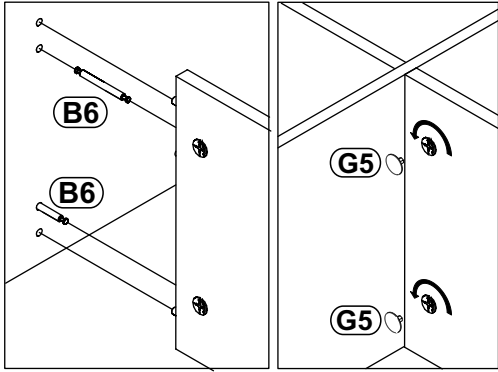
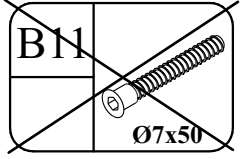
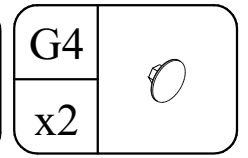
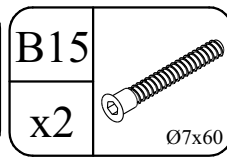
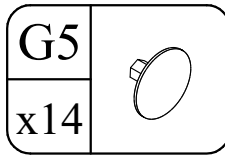
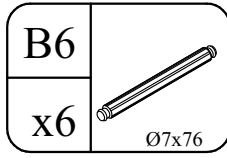


22

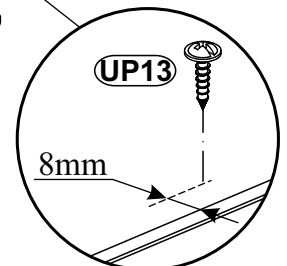
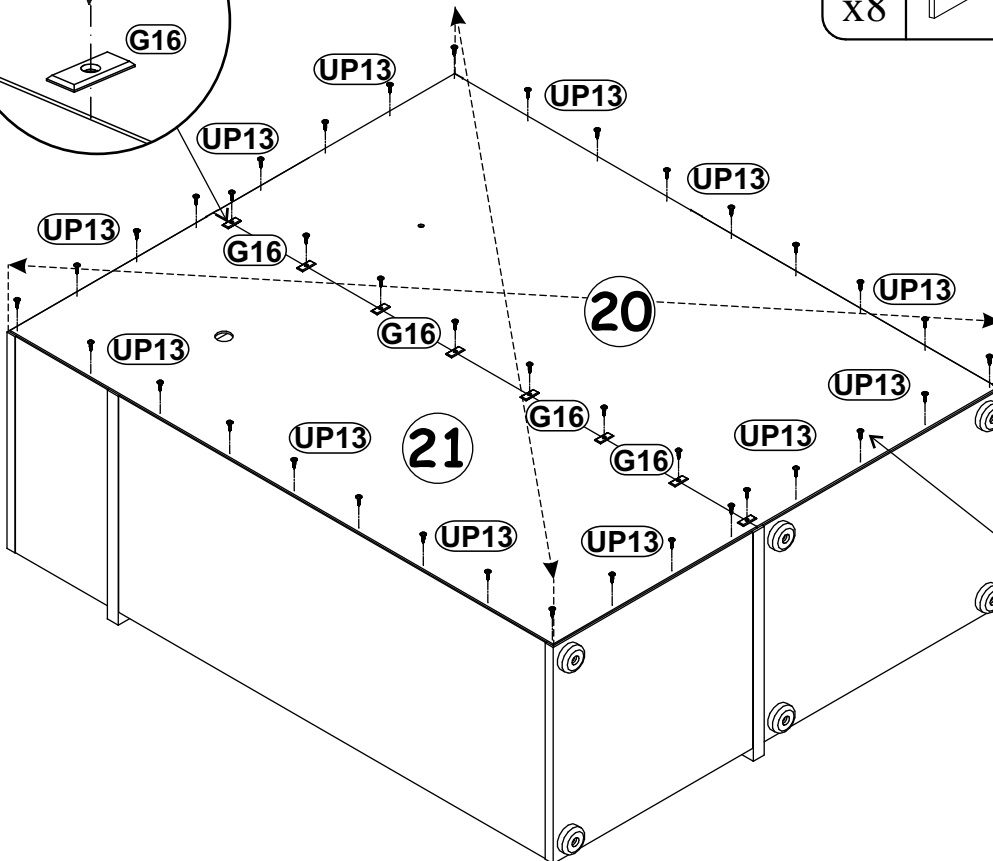
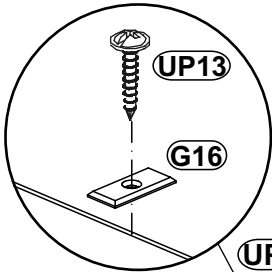
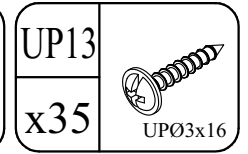
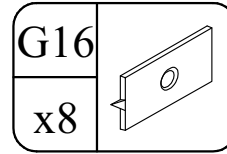
G5	
x4	

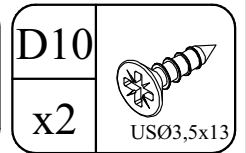
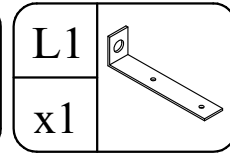
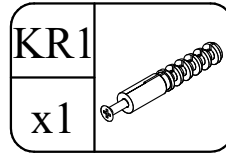


23

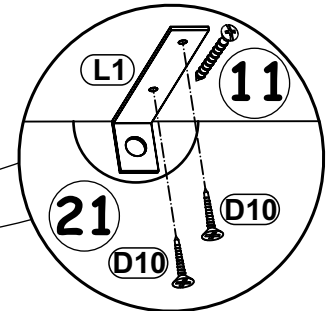
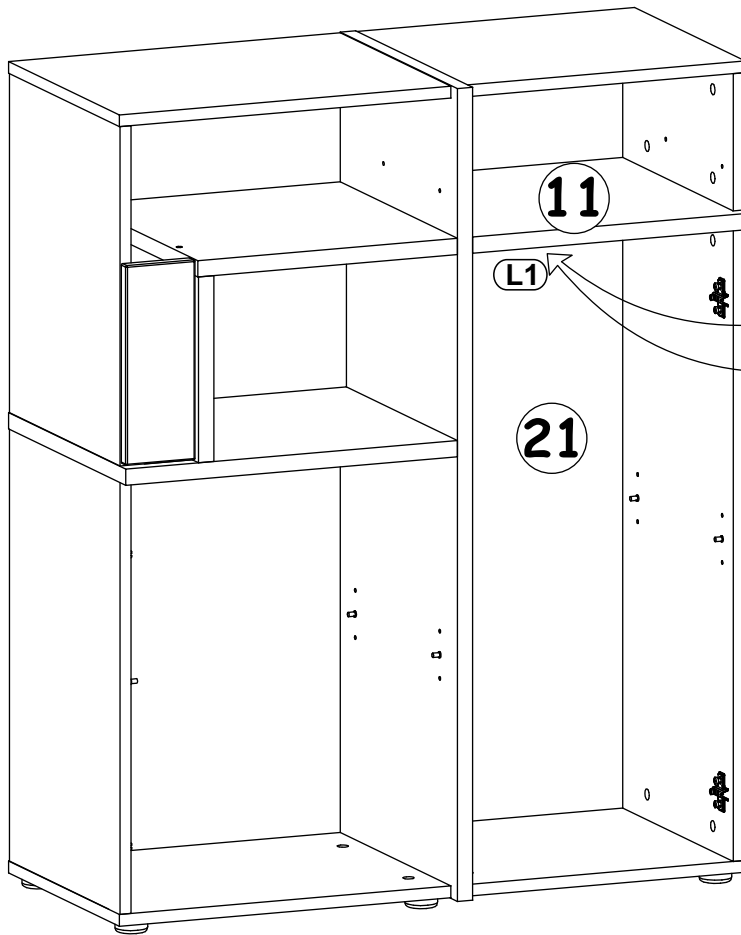
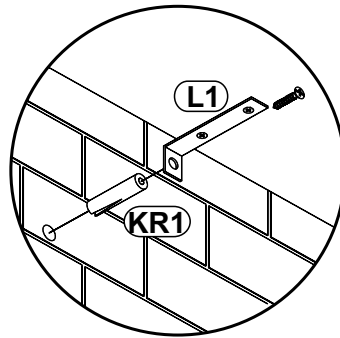
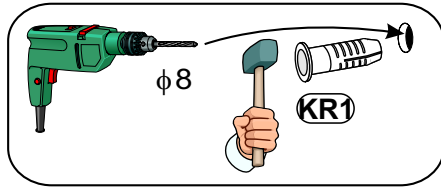
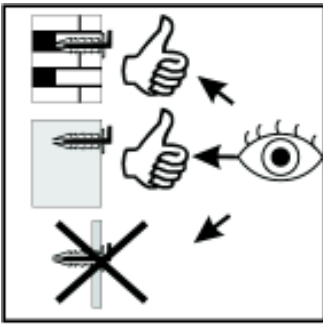


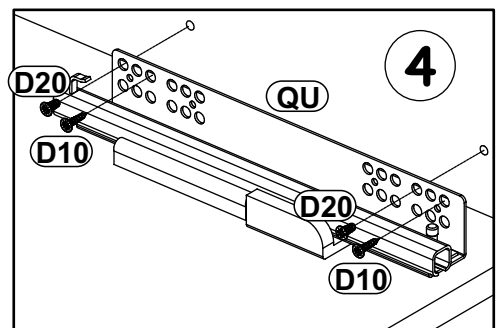
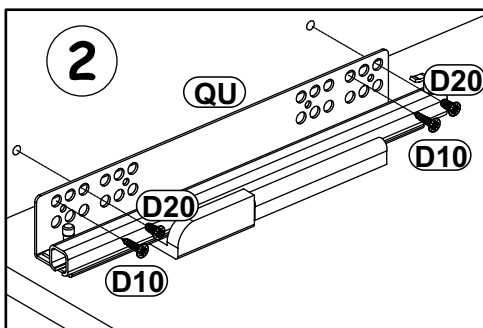
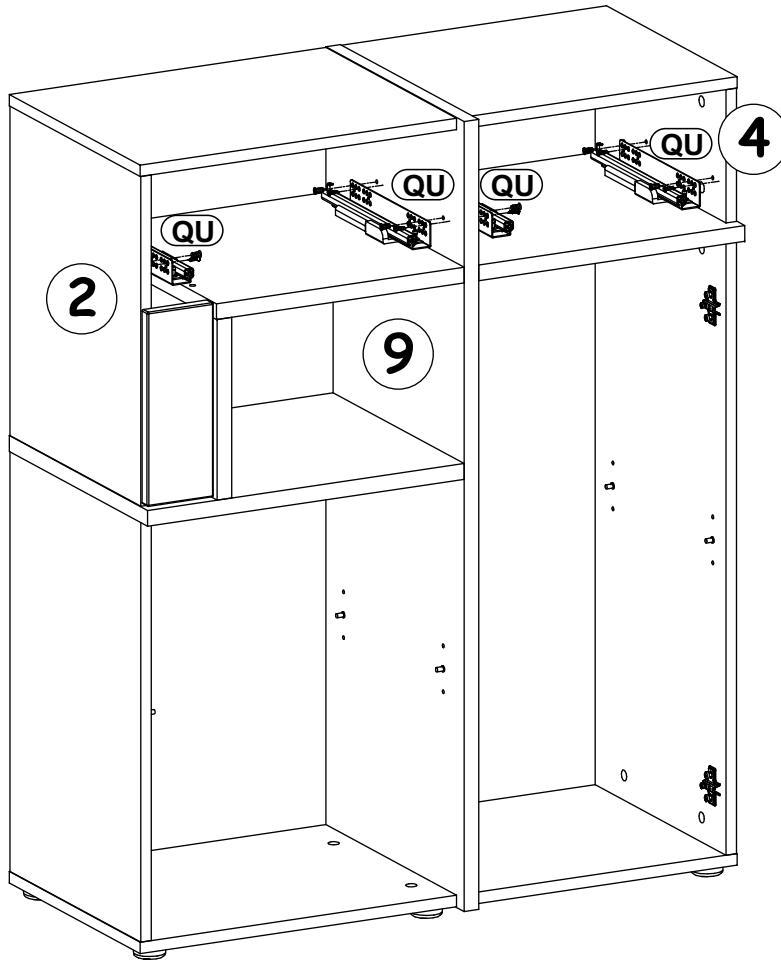
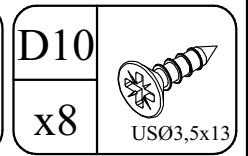
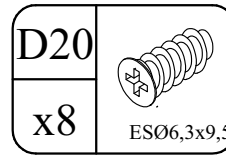
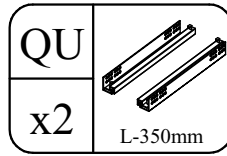
24



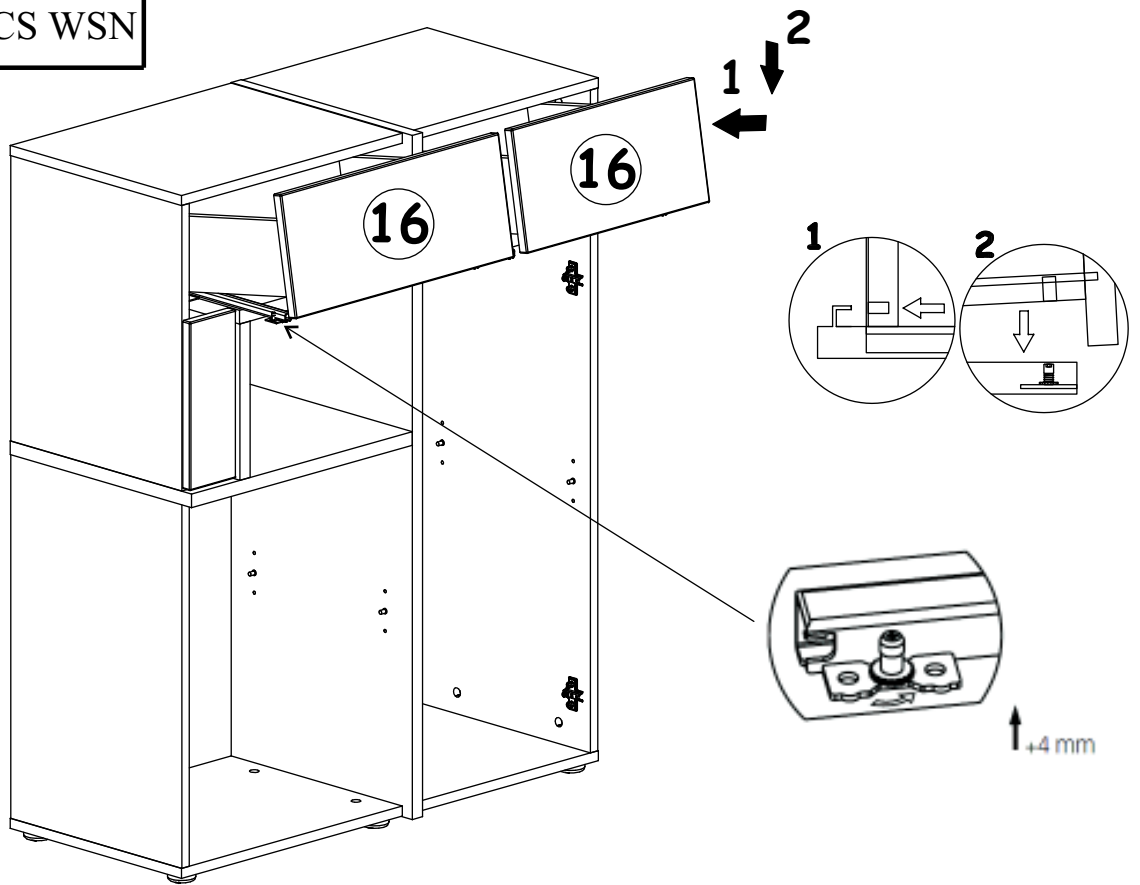


25





27



28

