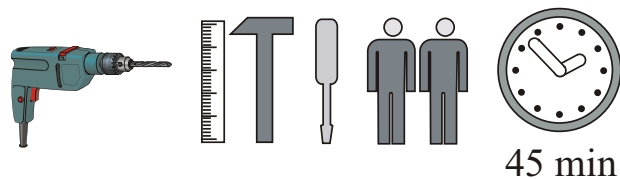
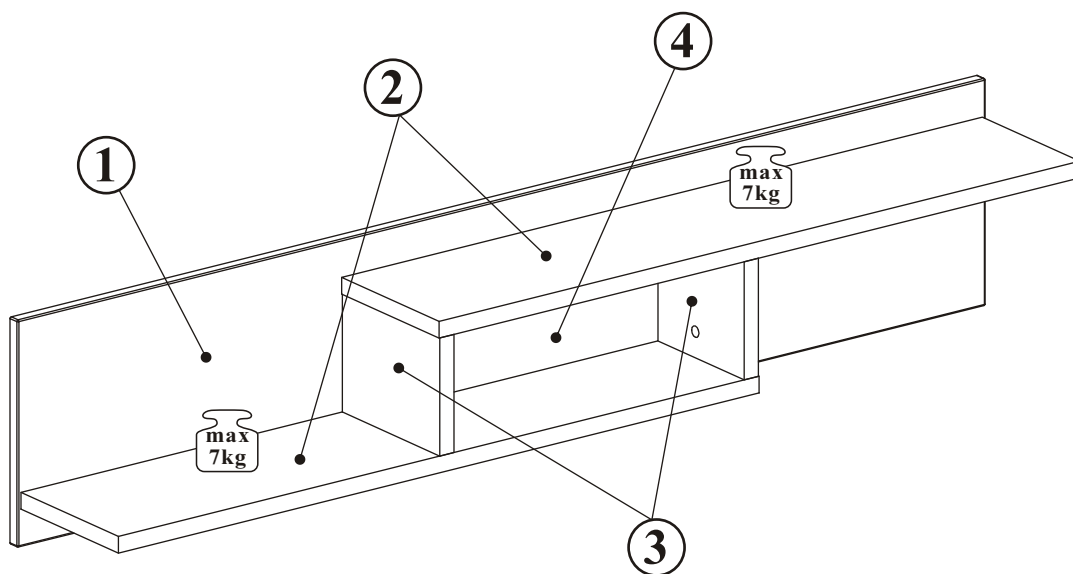
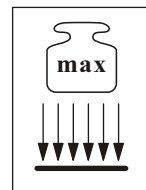


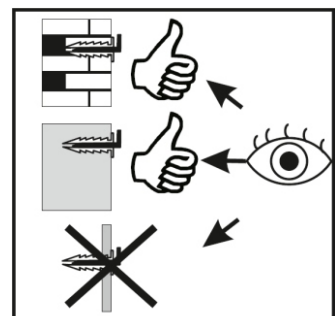
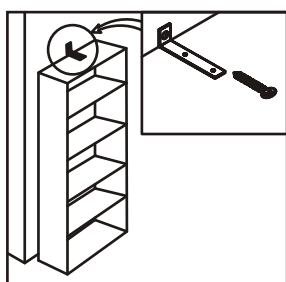
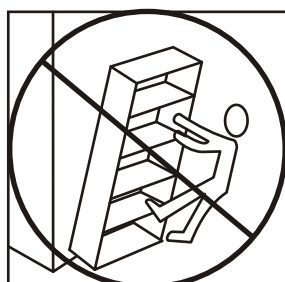
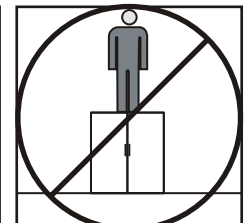
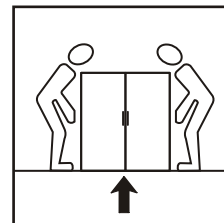
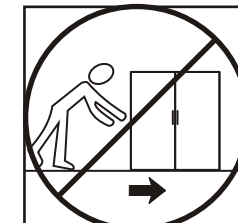
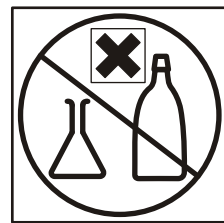
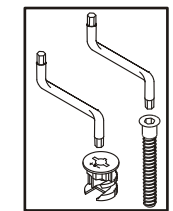
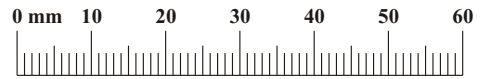
CROSS 28PEWCS PW



NO	Dim.		Qty	Qty
1	1500	300	1	1
2	993	203	1	2
3	156	203	1	2
4	450	156	1	1

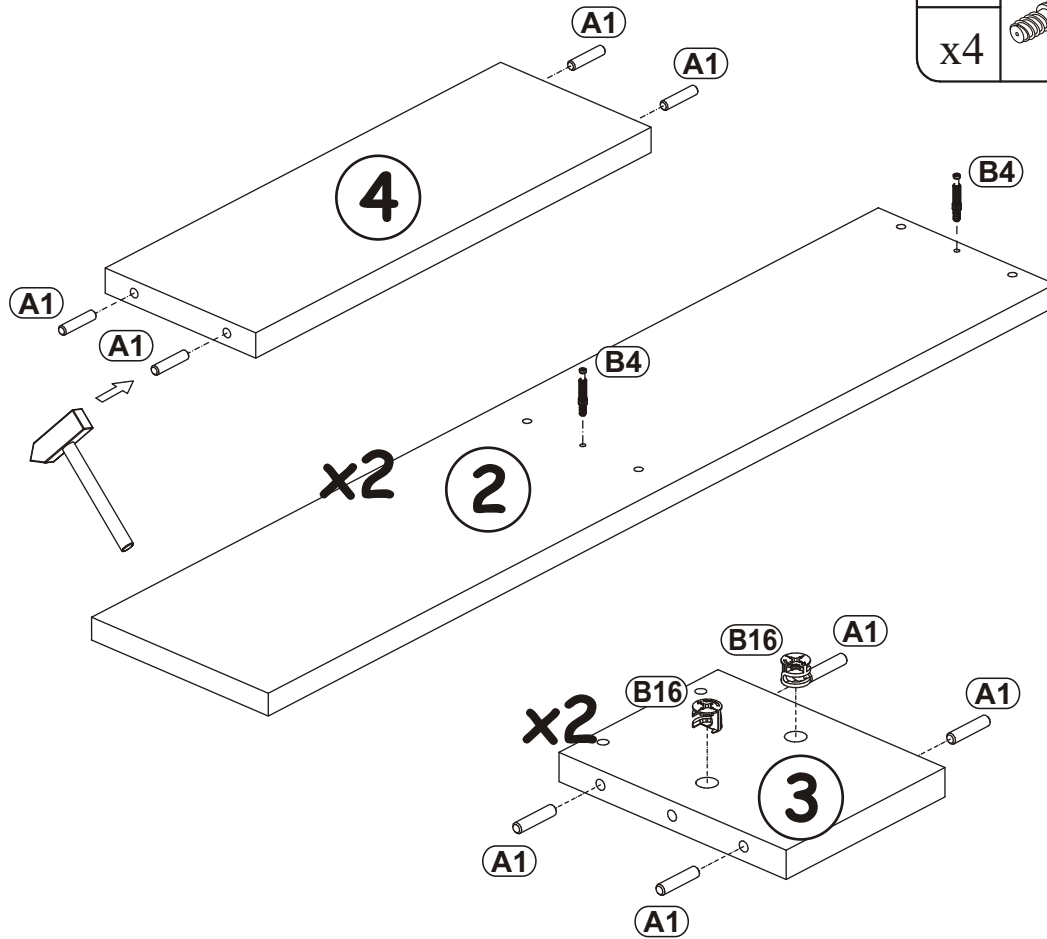
CROSS 28PEWCS PW

A1 x12 ø8x36	B4 x4	B16 x4 Ø15x16	G5 x4	B11 x8 Ø7x50	G4 x8
D10 x2 USØ3,5x13	P3 x2	KR2 x2	D28 x4 ESØ6x9,5	ZM1 x2	G2 x1



CROSS 28PEWCS PW

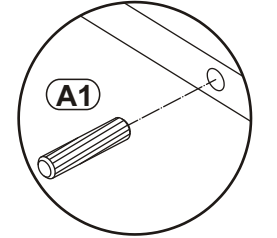
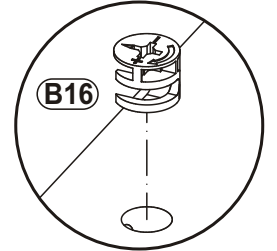
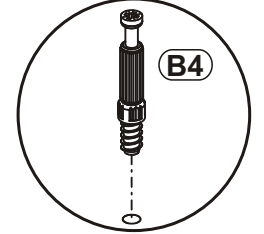
1



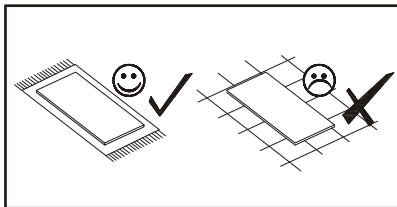
B4	
x4	

A1	
x12	ø8x36

B16	
x4	Ø15x16



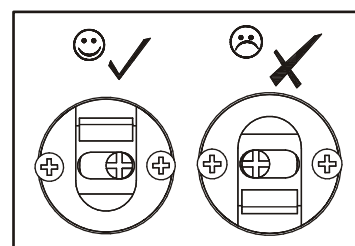
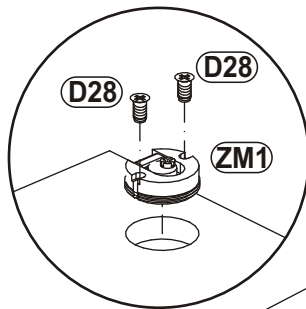
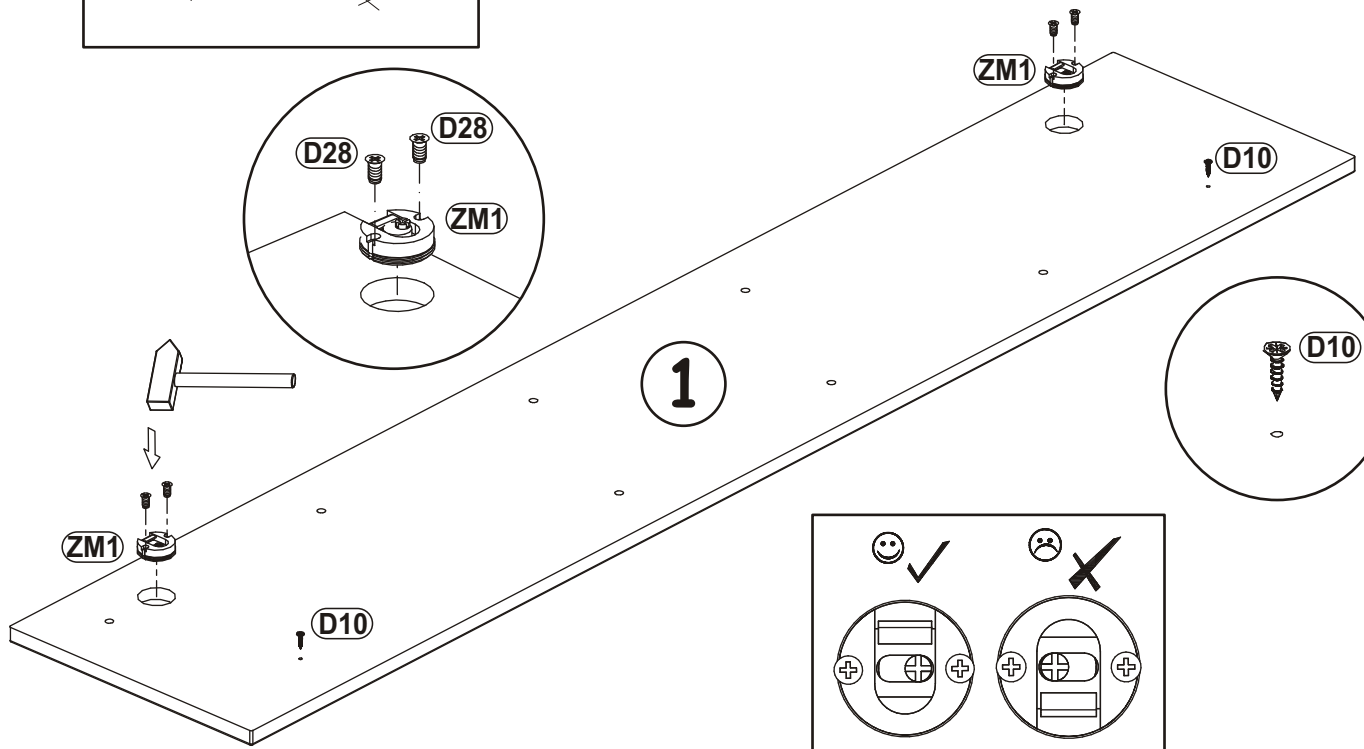
2



D10	
x2	USØ3,5x13

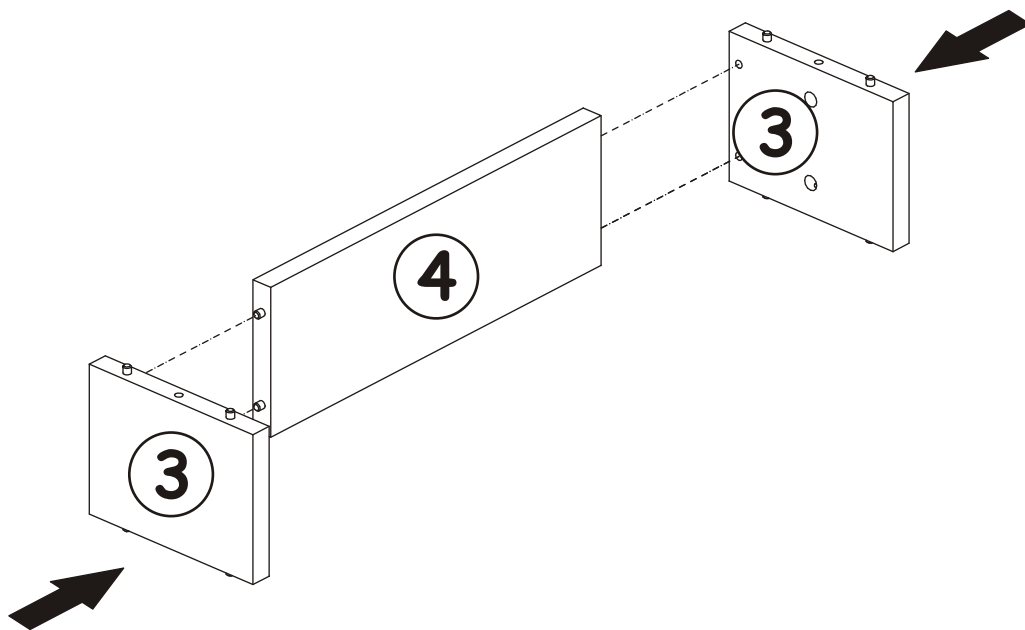
D28	
x4	ESØ6x9,5

ZM1	
x2	

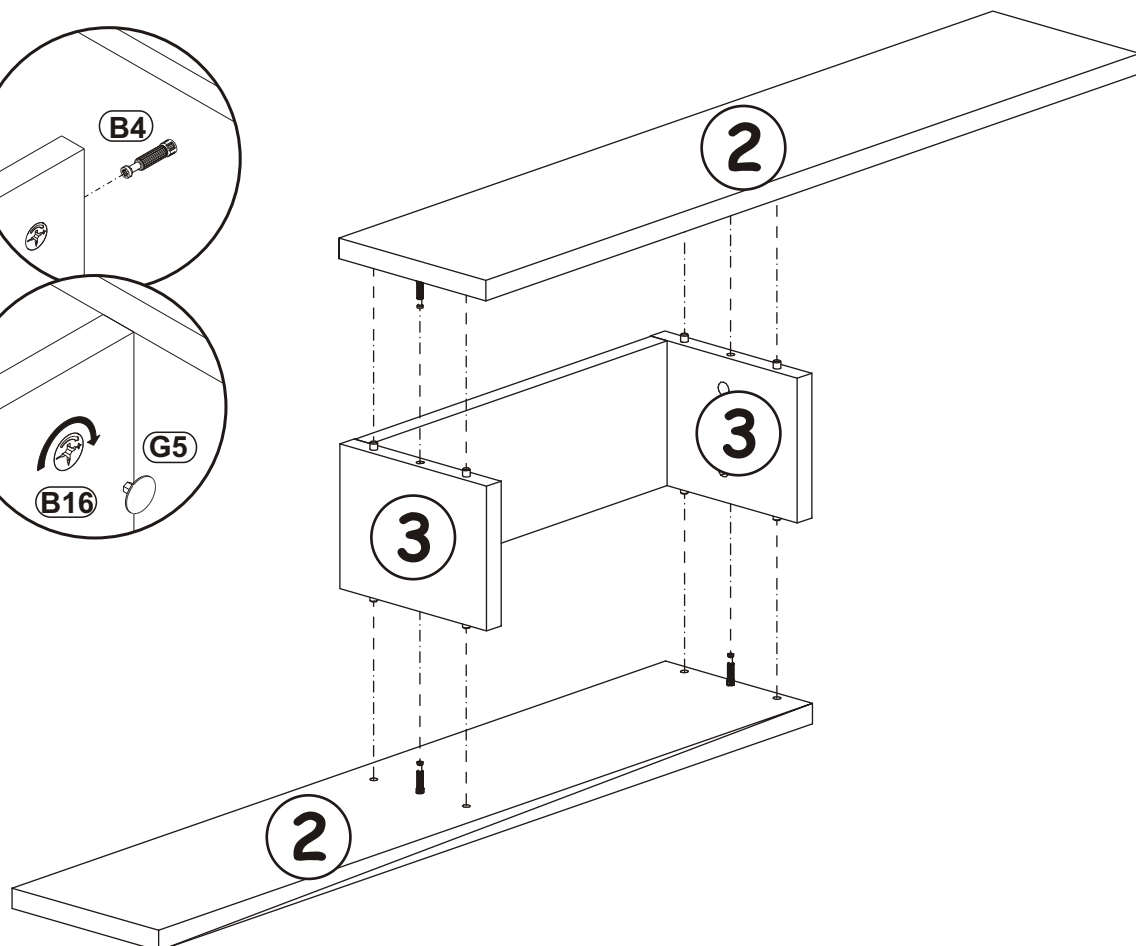
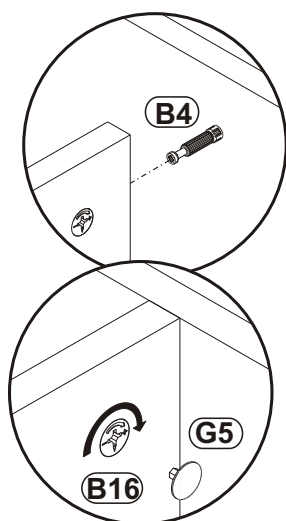
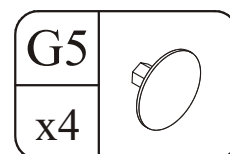


CROSS 28PEWCS PW

3

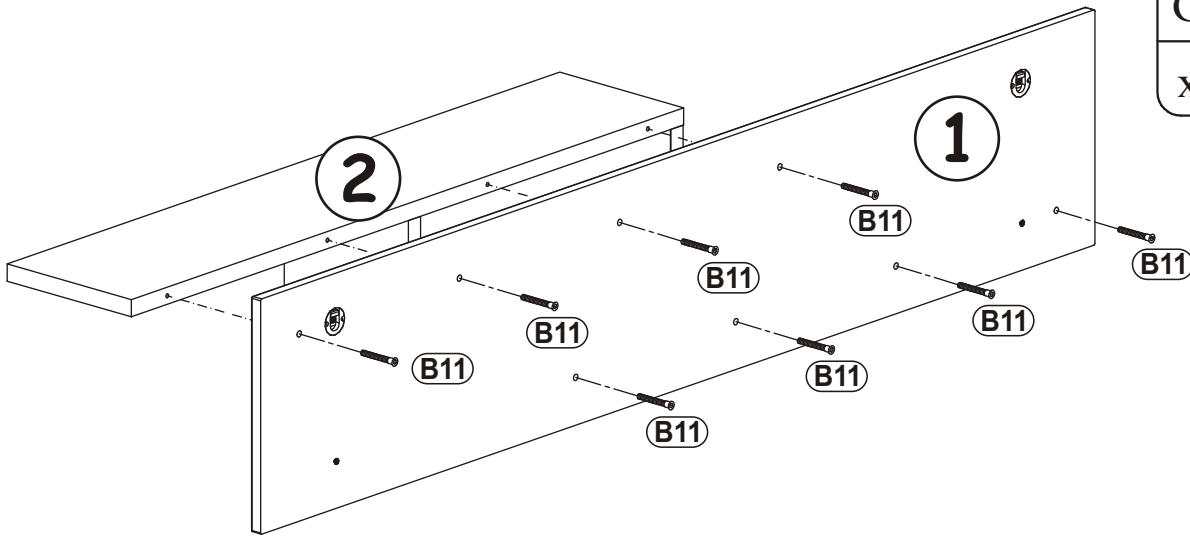
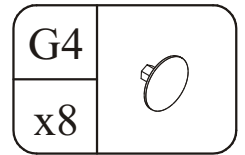
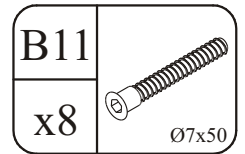
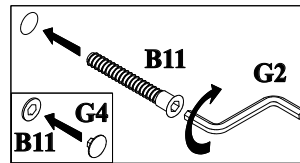


4

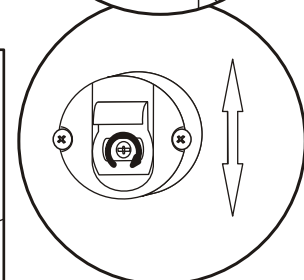
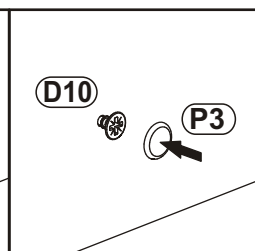
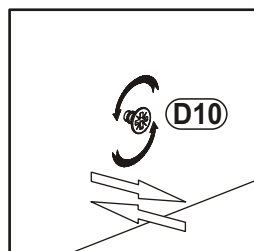
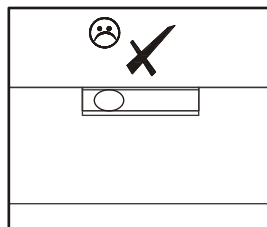
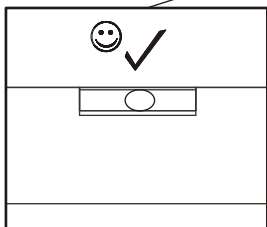
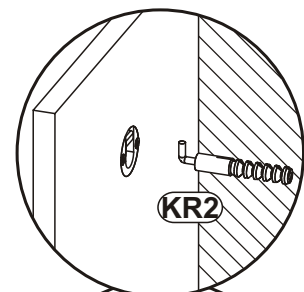
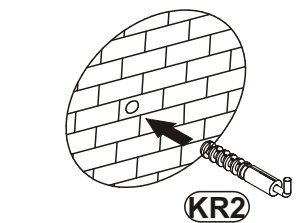
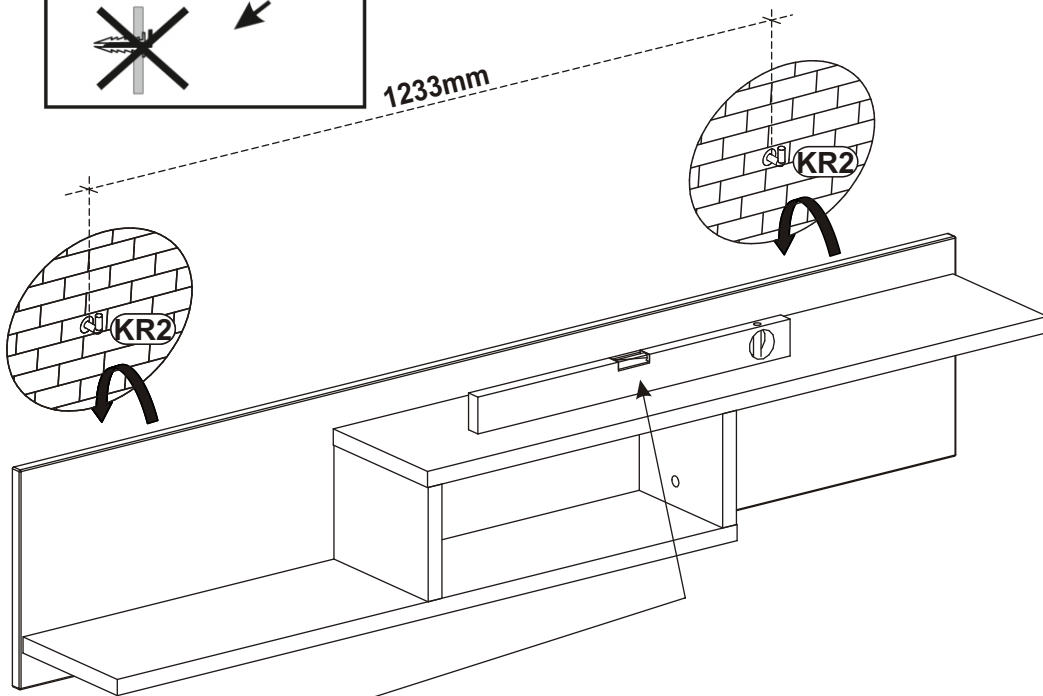
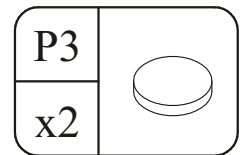
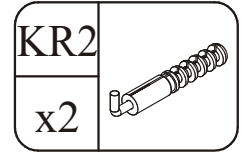
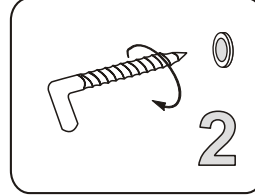
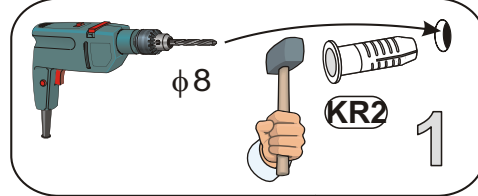
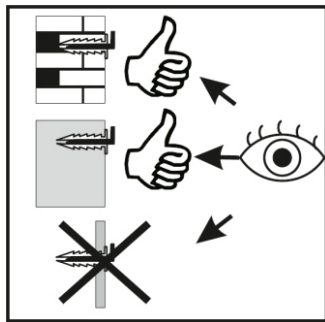


CROSS 28PEWCS PW

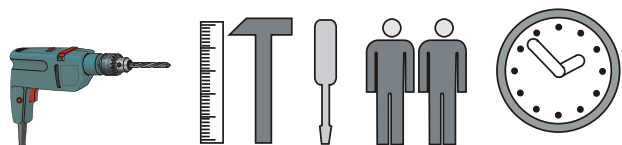
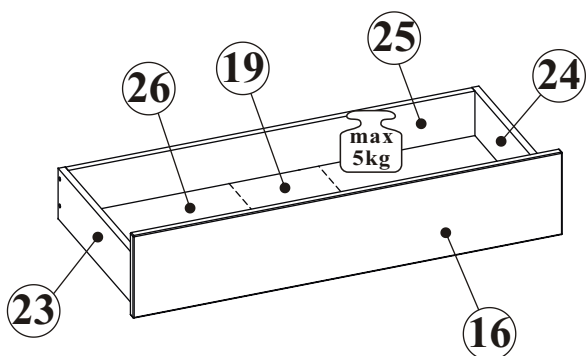
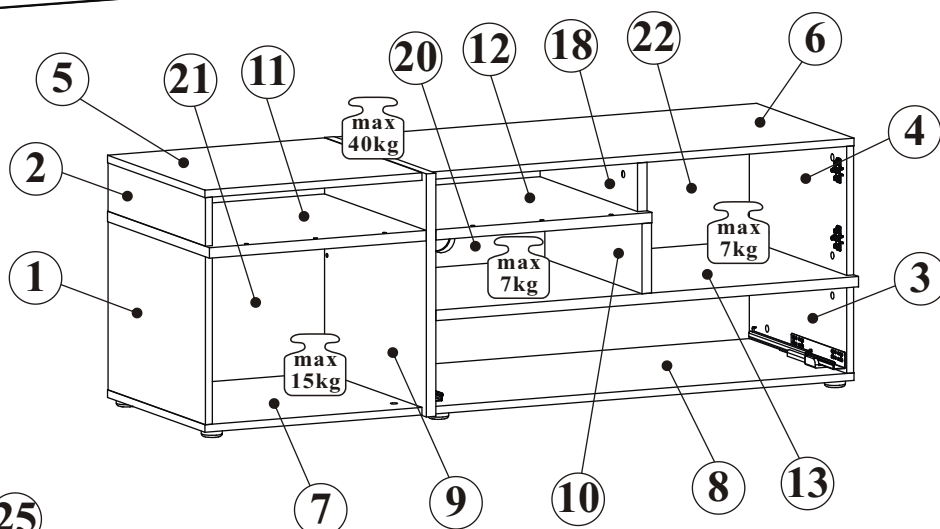
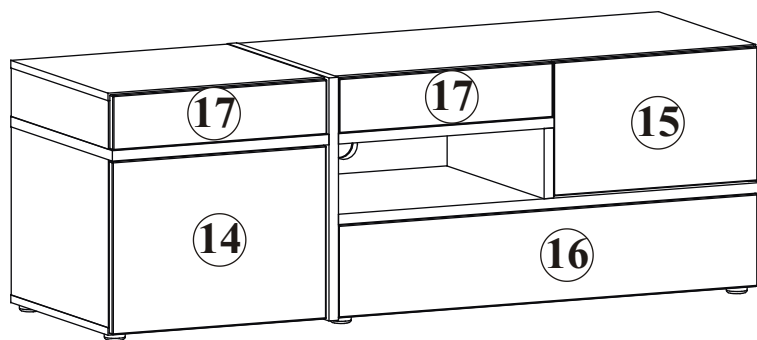
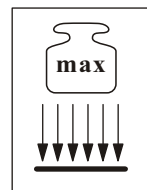
5



6



CROSS 28PEWCS RTV



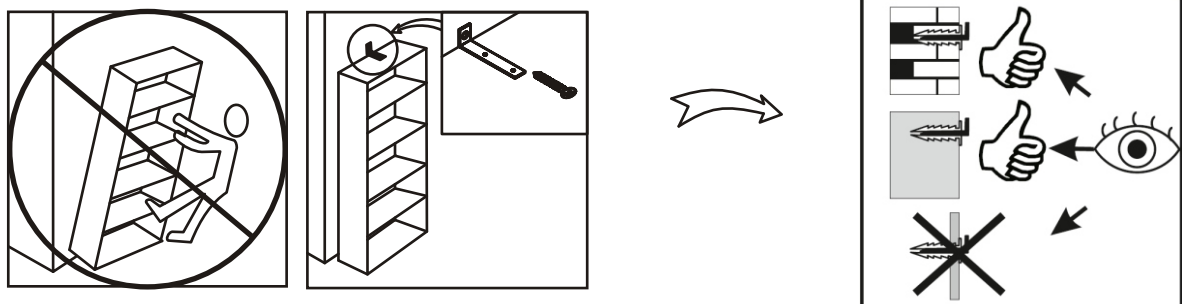
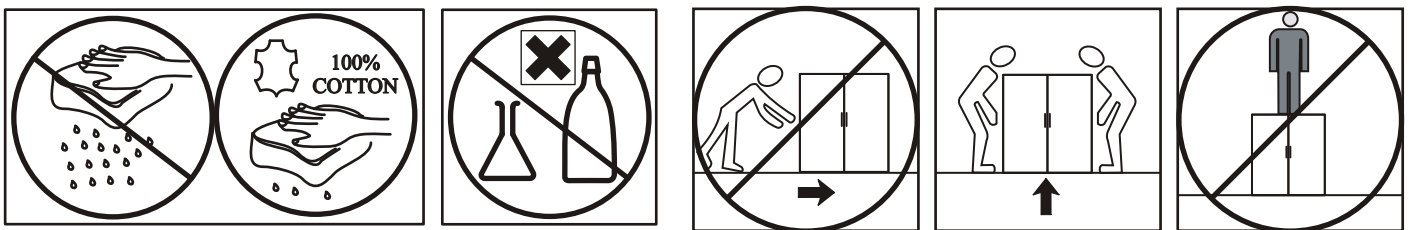
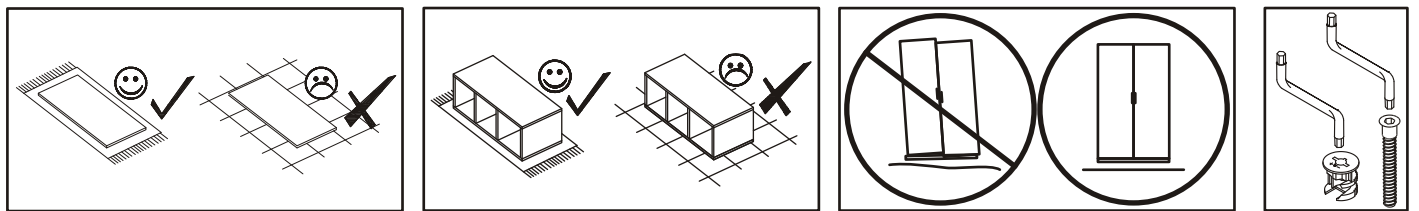
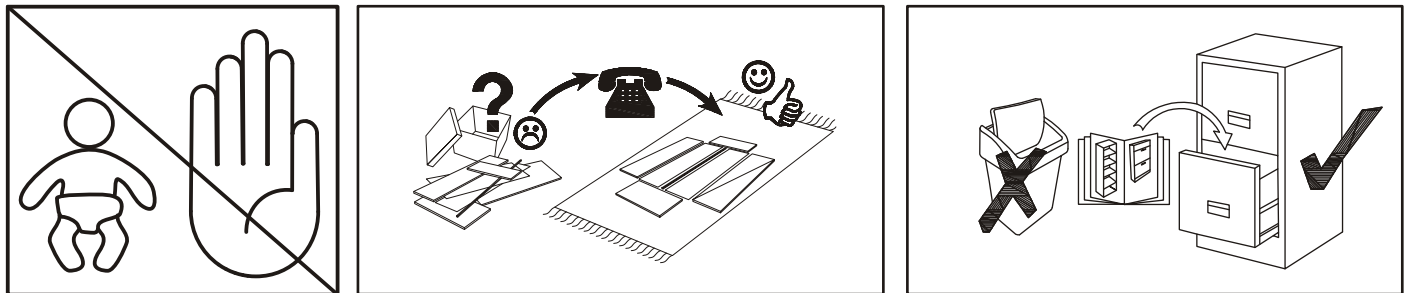
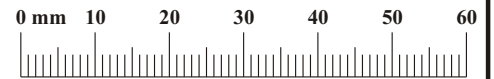
180 min

NO	Dim.			Col.-No	Qty
1	357	477	16	2	1
2	103	477	16	2	1
3	186	477	16	2	1
4	274	477	16	2	1
5	502	477	16	2	1
6	978	477	16	2	1
7	502	477	16	2	1
8	978	477	16	2	1
9	516	499	22	1	1
10	149	499	22	1	1
11	502	499	22	1	1
12	500	499	22	1	1
13	978	499	22	1	1

NO	Dim.			Col.-No	Qty
14	367	496	16	1	1
15	284	473	16	1	1
16	196	972	16	1	1
17	116	496	16	1	2
18	103	477	22	1	1
19	400	184	16	2	1
20	476	148	22	1	1
21	508	509	3	1	1
22	508	985	3	1	1
23	400	120	16	2	1
24	400	120	16	2	1
25	921	106	16	2	1
26	404	933	3	2	1

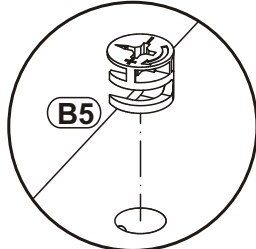
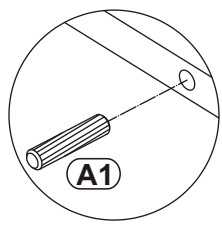
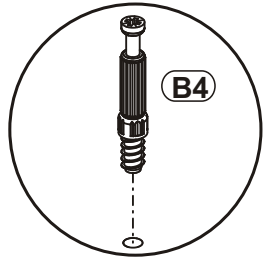
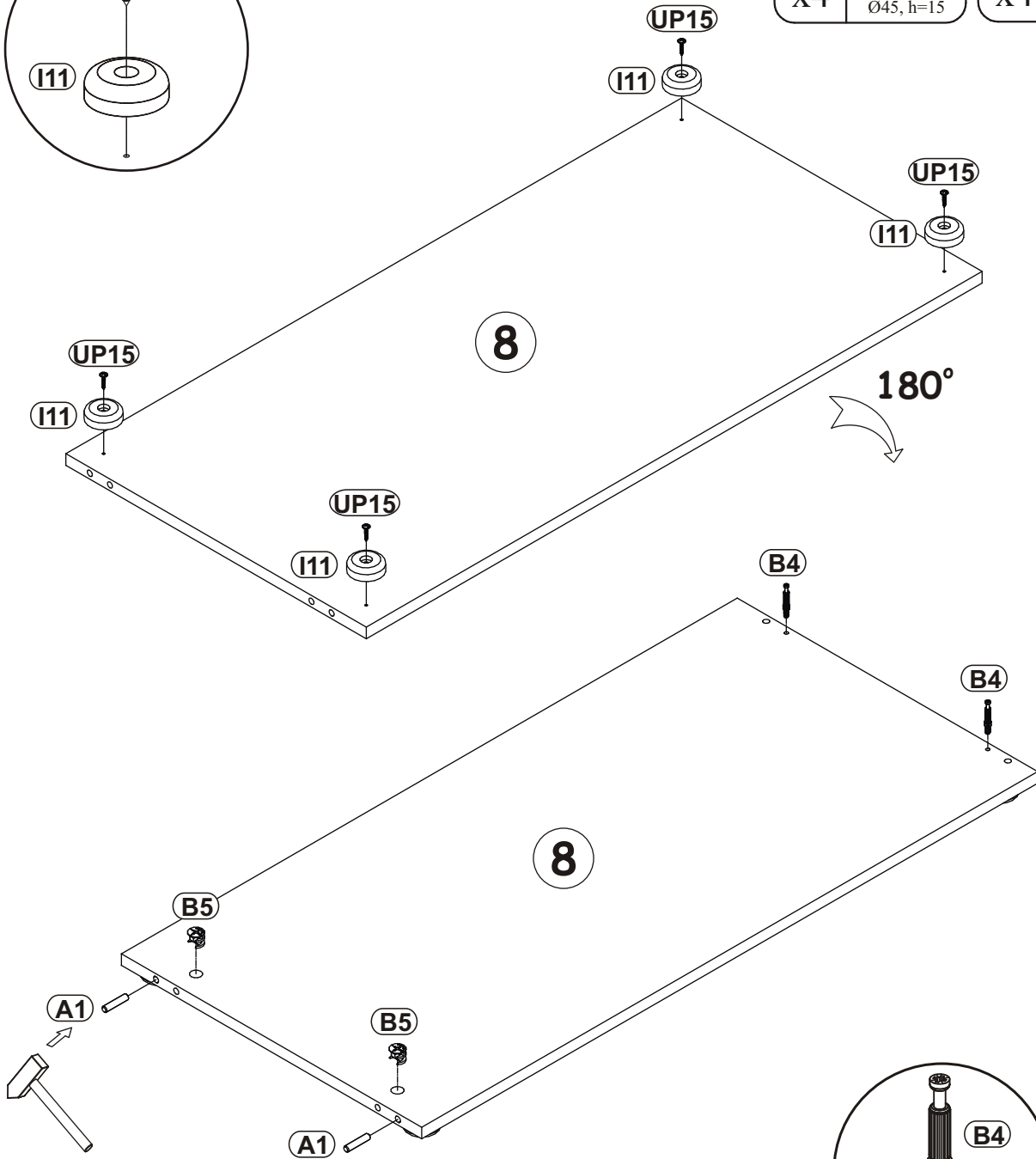
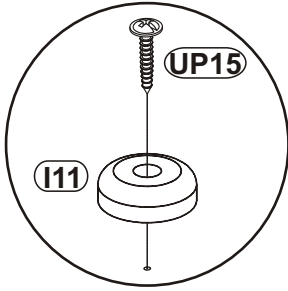
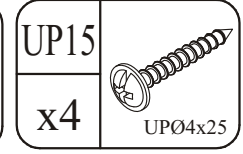
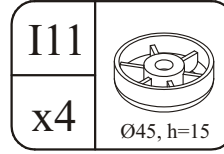
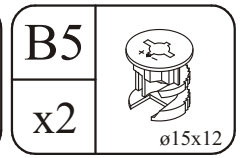
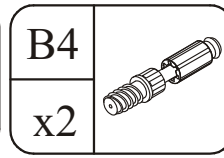
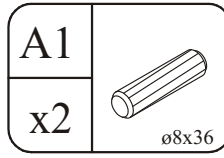
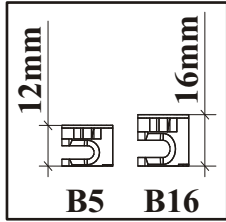
CROSS 28PEWCS RTV

A1 x42 ø8x36	B4 x18	B6 x10 Ø7x76	B5 x26 ø15x12	B16 x12 Ø15x16	G5 x38
E21 x4 Ø35 H=0	E2 x4 H=0	D10 x18 USØ3,5x13	QU x1 L=400mm	D20 x4 ESØ6,3x9,5	UP6 x2 UPØ4x30
S1 x2	G16 x4	UP13 x44 UPØ3x16	B11 x4 Ø7x50	B15 x10 Ø7x60	G4 x14
I11 x6 Ø45, h=15	UP15 x6 UPØ4x25	T3 x2	KR1 x1	L1 x1	G2 x1



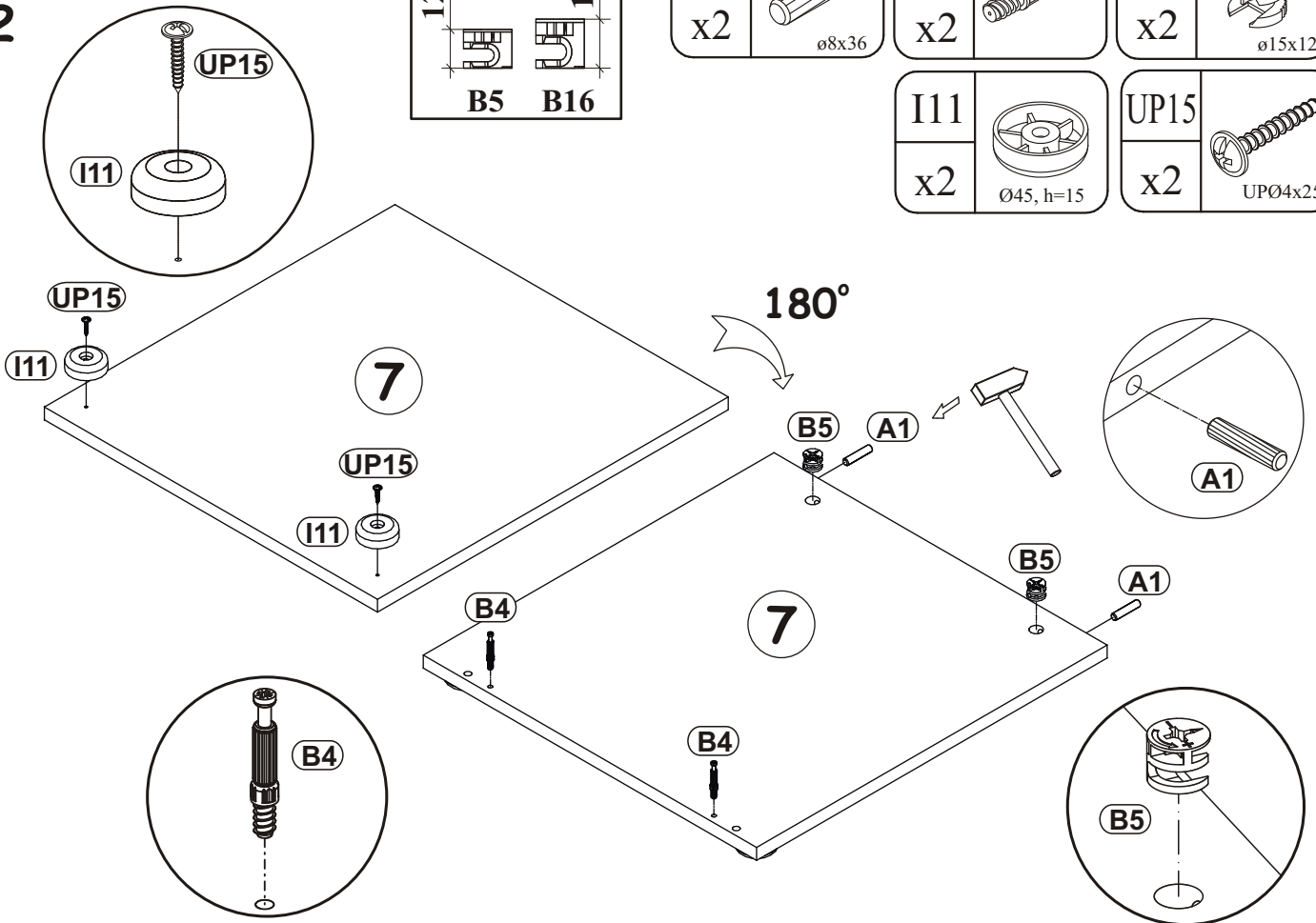
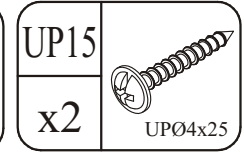
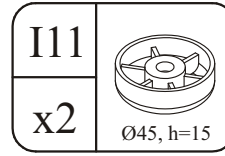
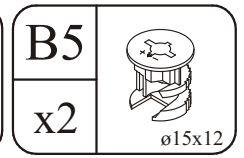
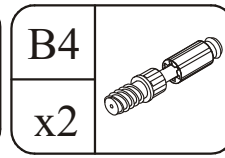
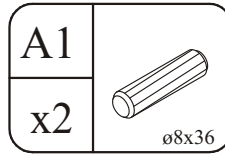
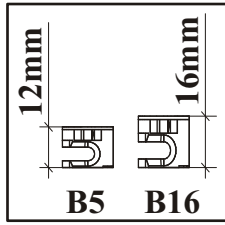
CROSS 28PEWCS RTV

1

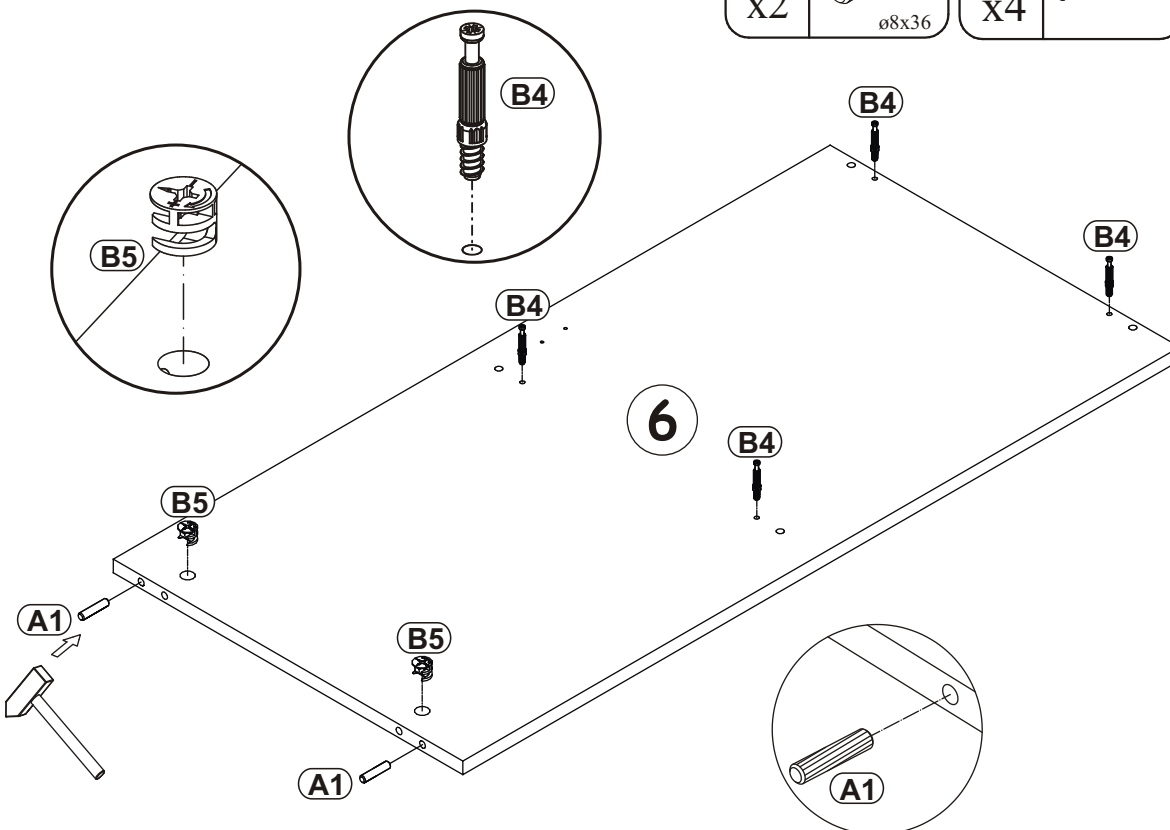
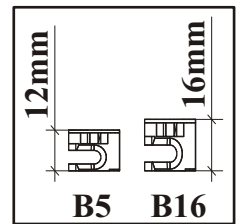
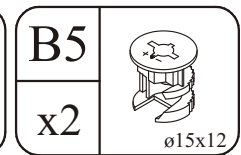
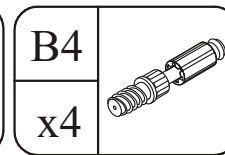
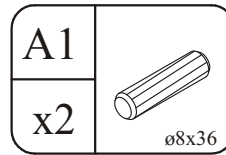


CROSS 28PEWCS RTV

2

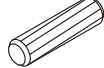


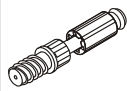
3




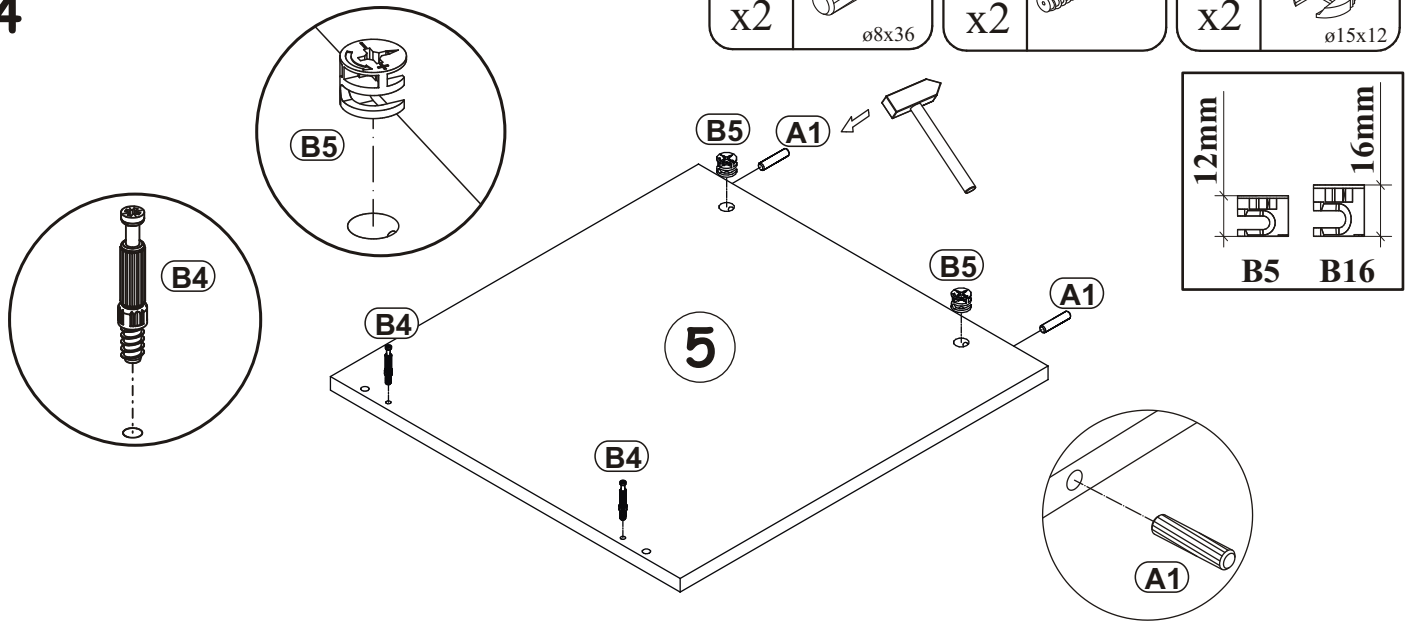
CROSS 28PEWCS RTV

4

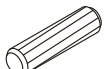
A1	
x2	ø8x36

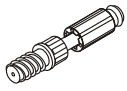
B4	
x2	


B5	
x2	ø15x12

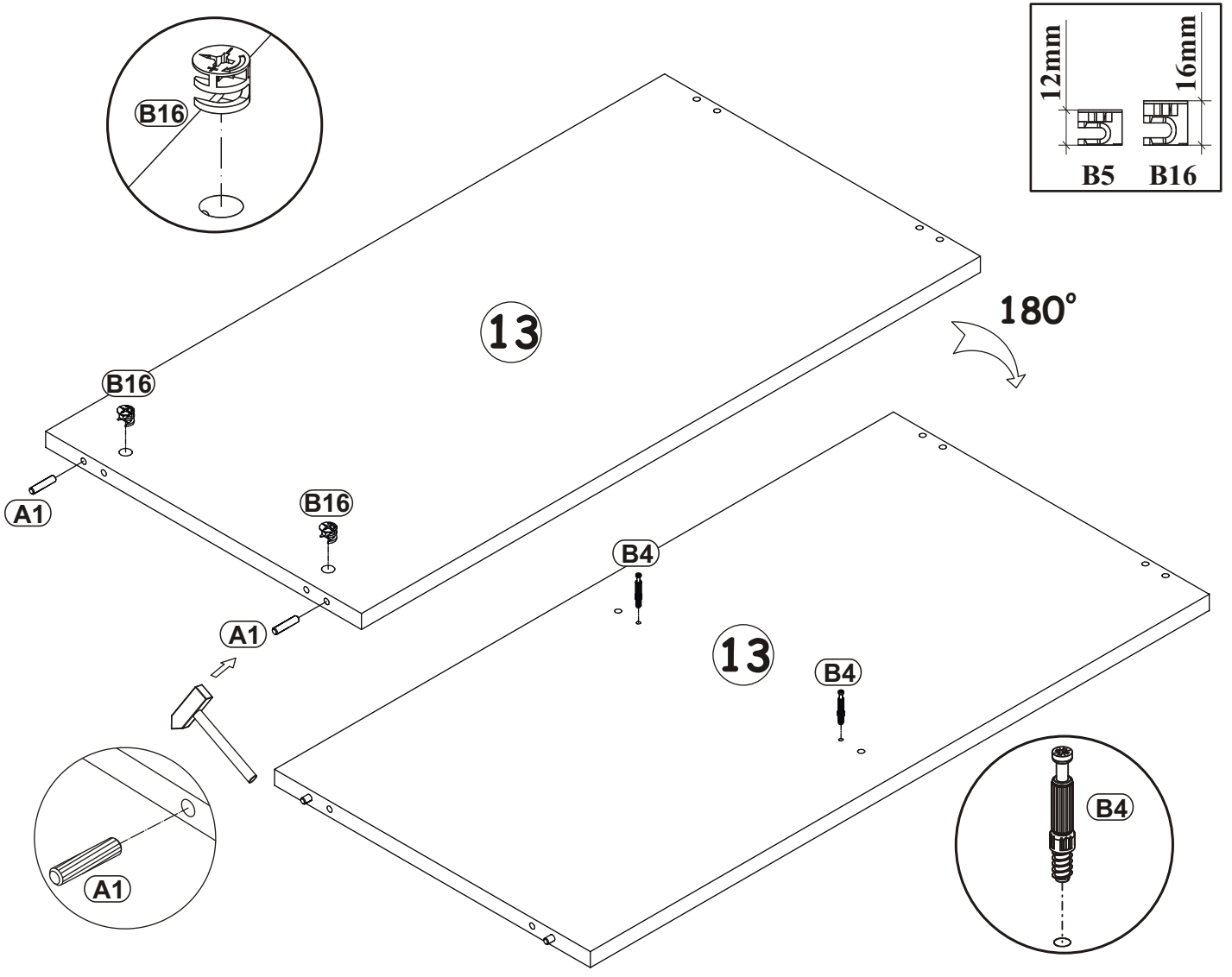


5

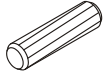

A1	
x2	ø8x36



B4	
x2	

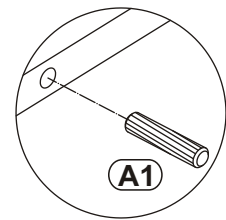
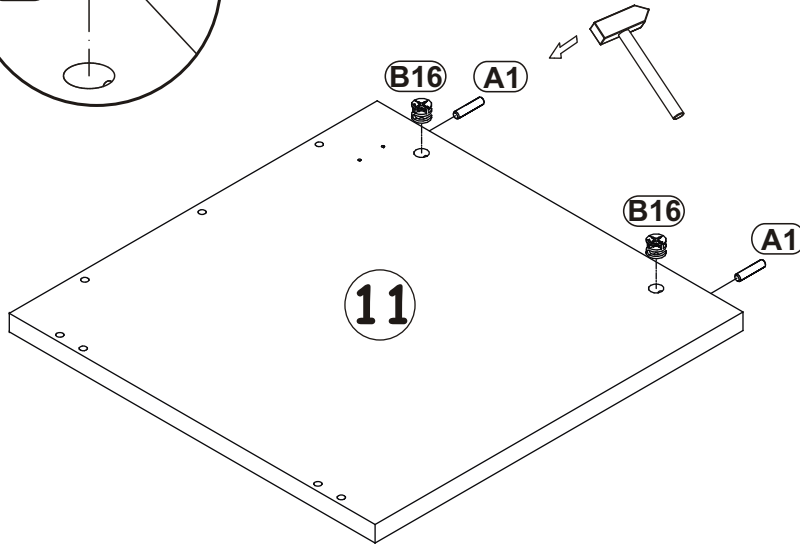
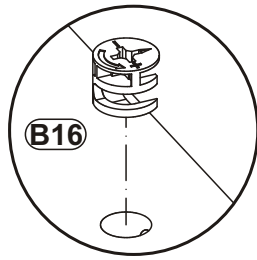
B16	
x2	Ø15x16



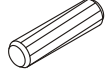
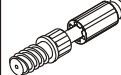

6



A1		B16	
x2	ø8x36	x2	Ø15x16

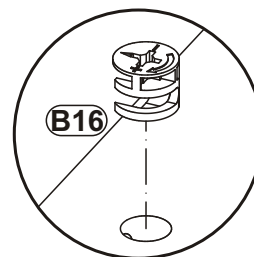
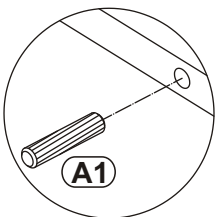
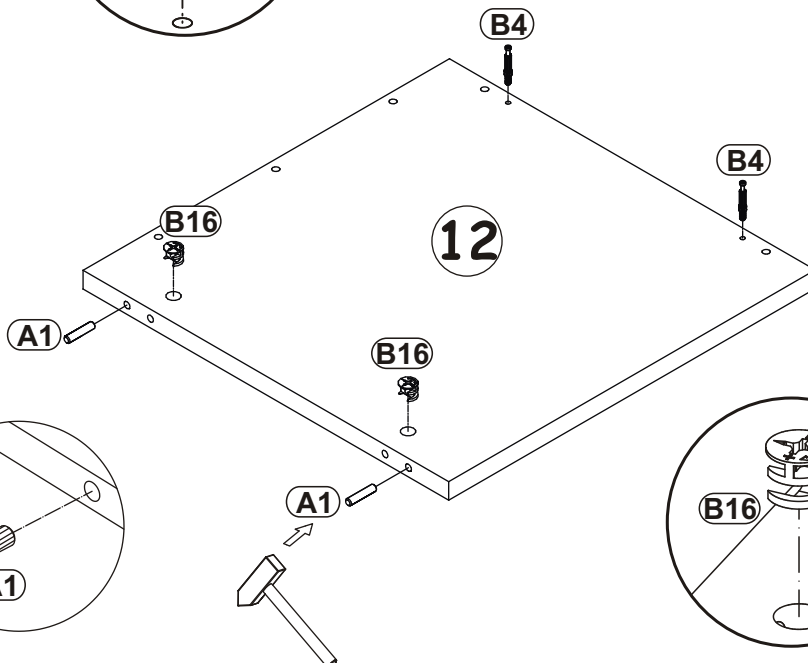
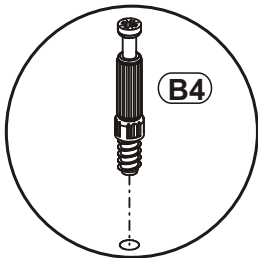
12mm		16mm	
	B5		B16



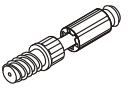
7

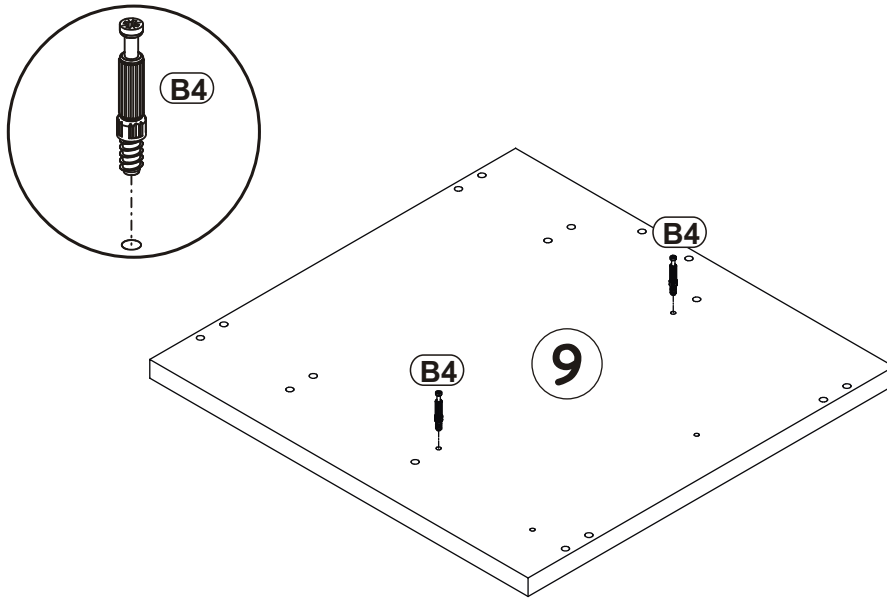
A1		B4		B16	
x2	ø8x36	x2		x2	Ø15x16

12mm		16mm	
	B5		B16

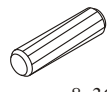



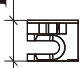

8

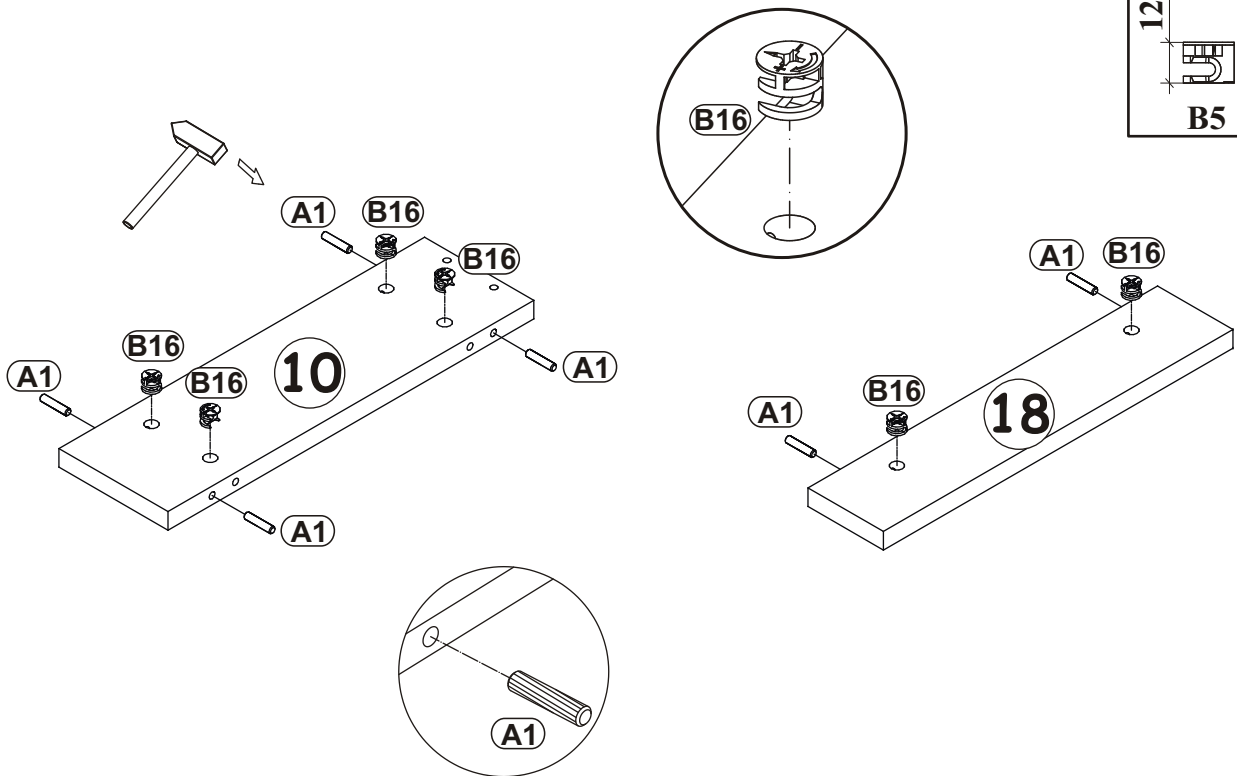
B4	
x2	



9

A1		B16	
x6	ø8x36	x6	Ø15x16

12mm		16mm	
	B5		B16

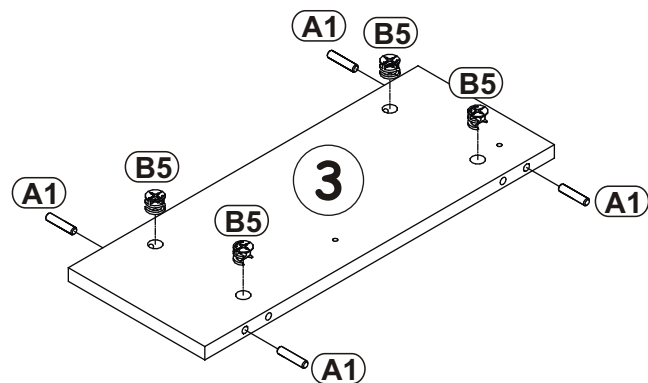
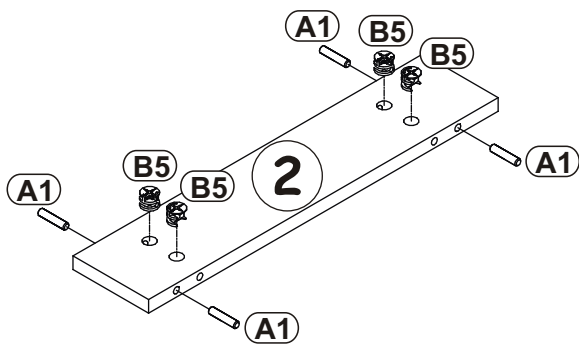
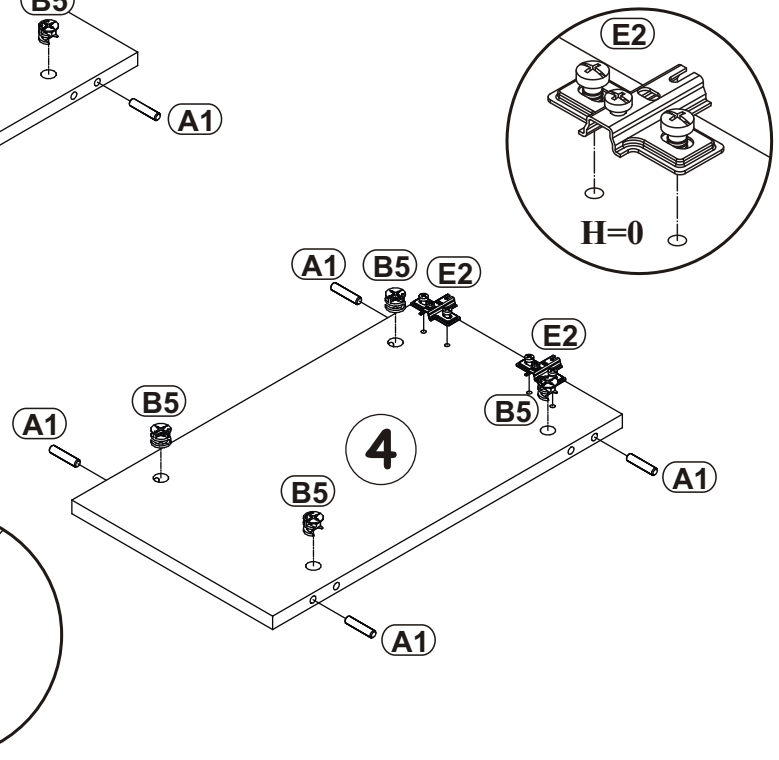
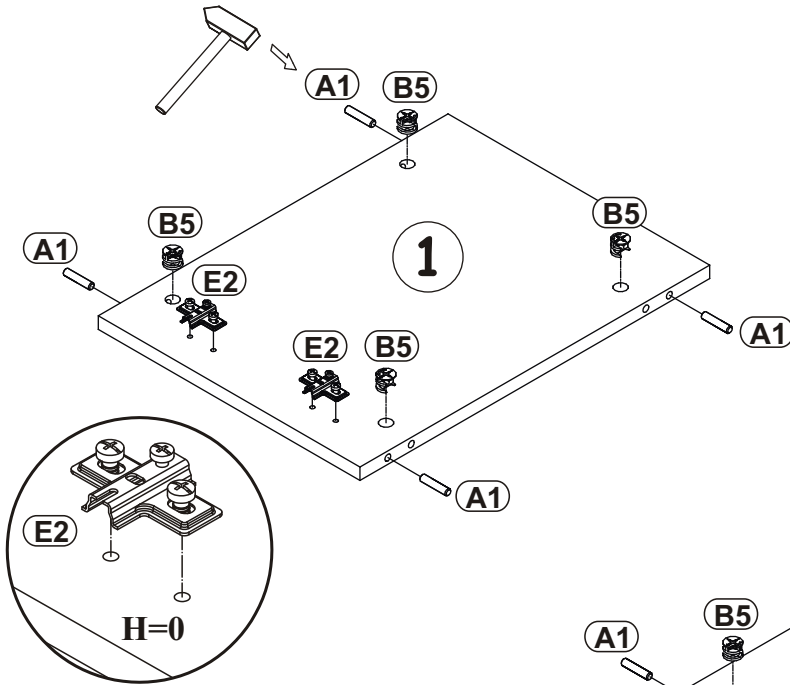
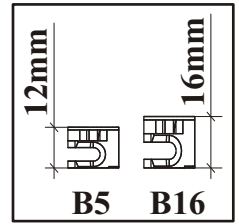


10

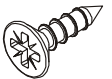
E2	
x4	H=0

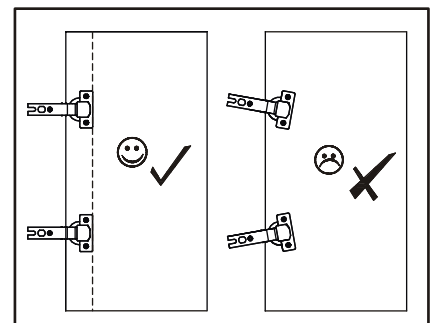
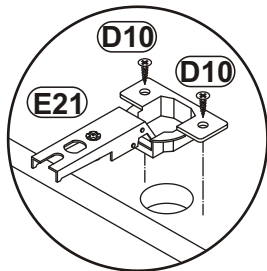
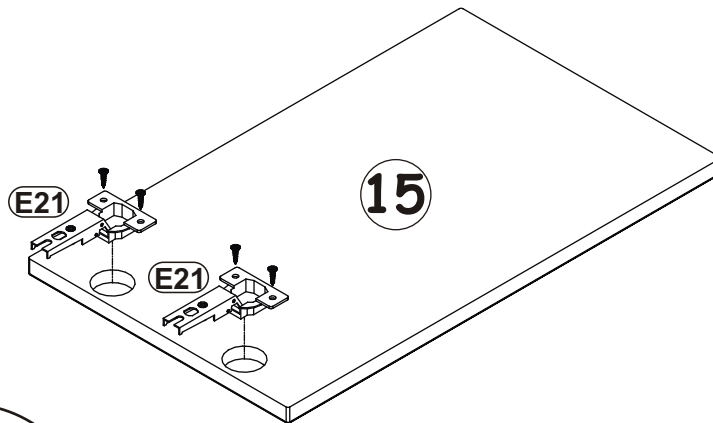
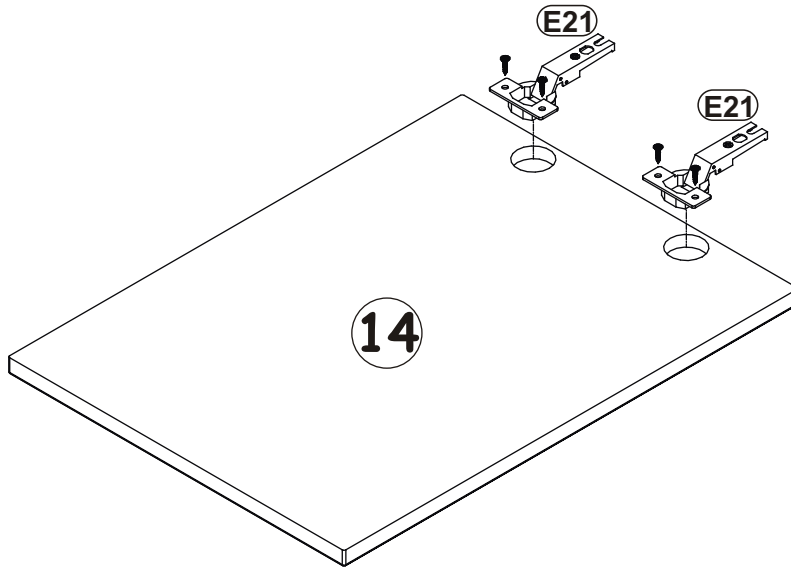
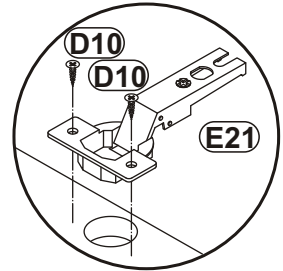
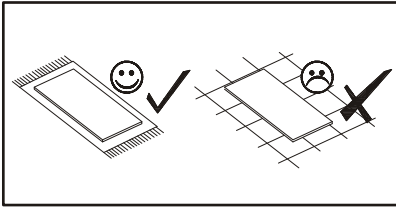
A1	
x16	ø8x36

B5	
x16	ø15x12

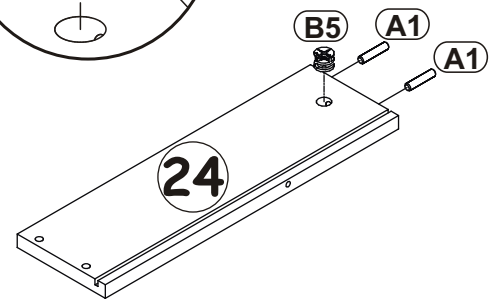
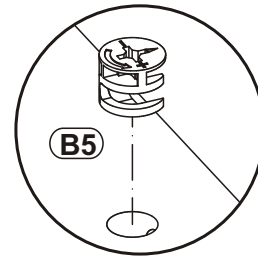
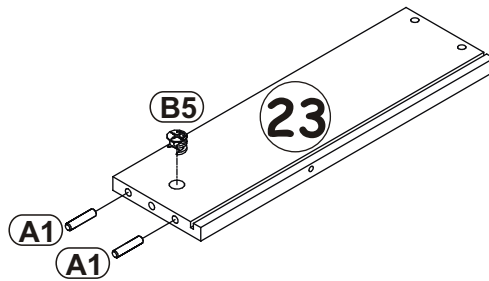
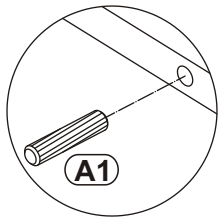
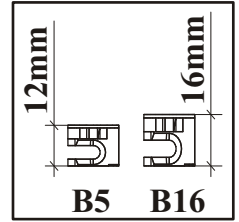
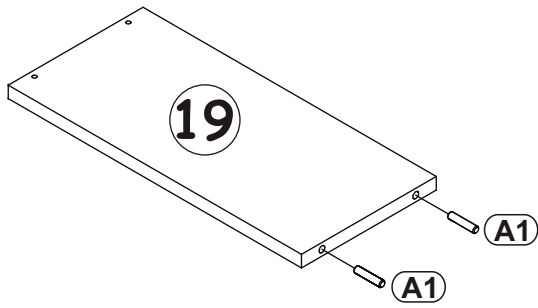
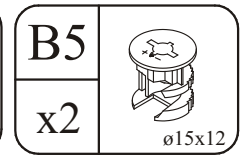
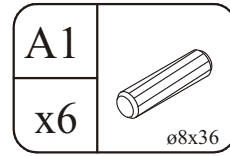


11

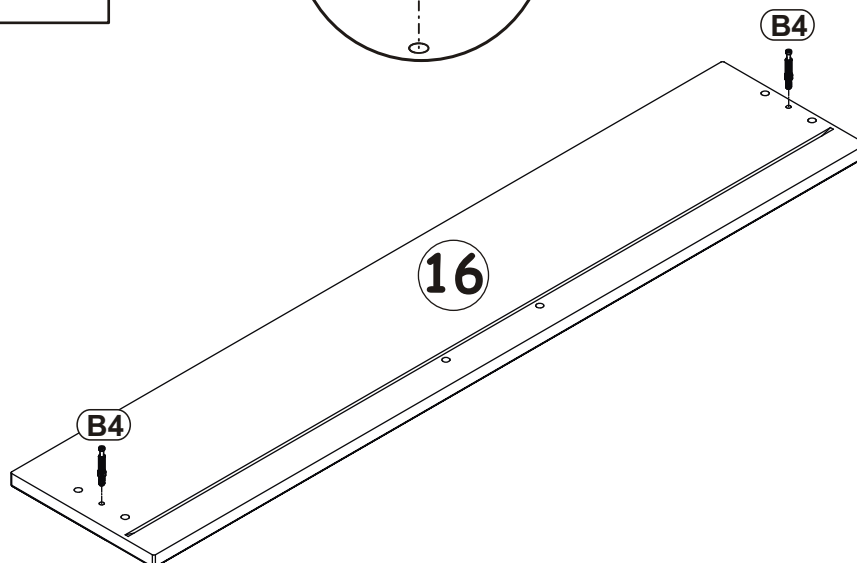
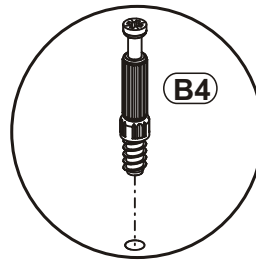
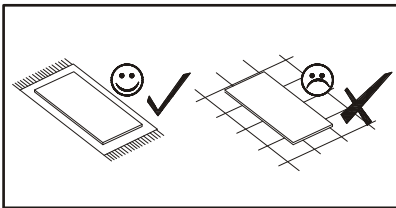
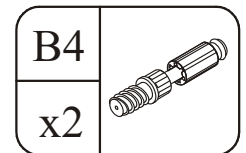
E21	Ø35	D10	 USØ3,5x13
x4	H=0	x8	



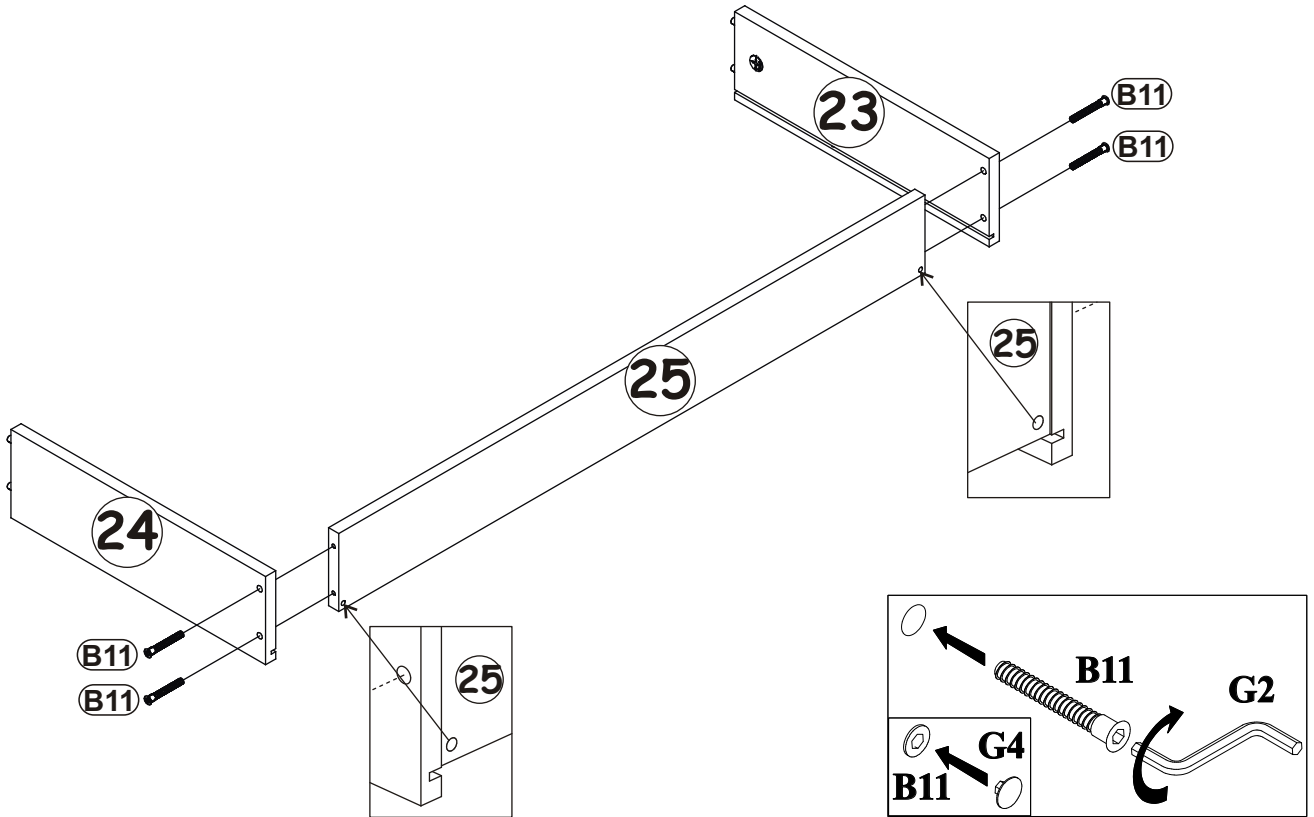
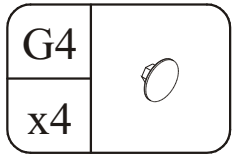
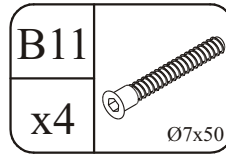
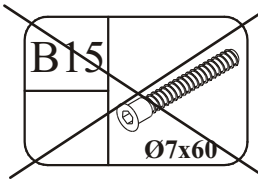
12



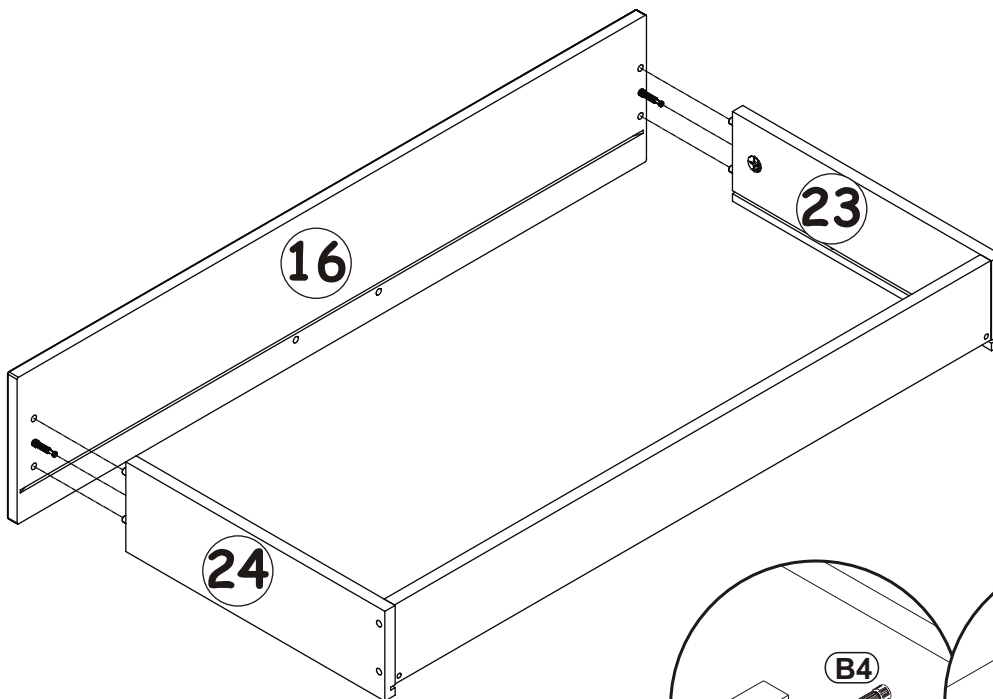
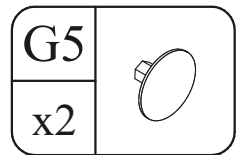
13



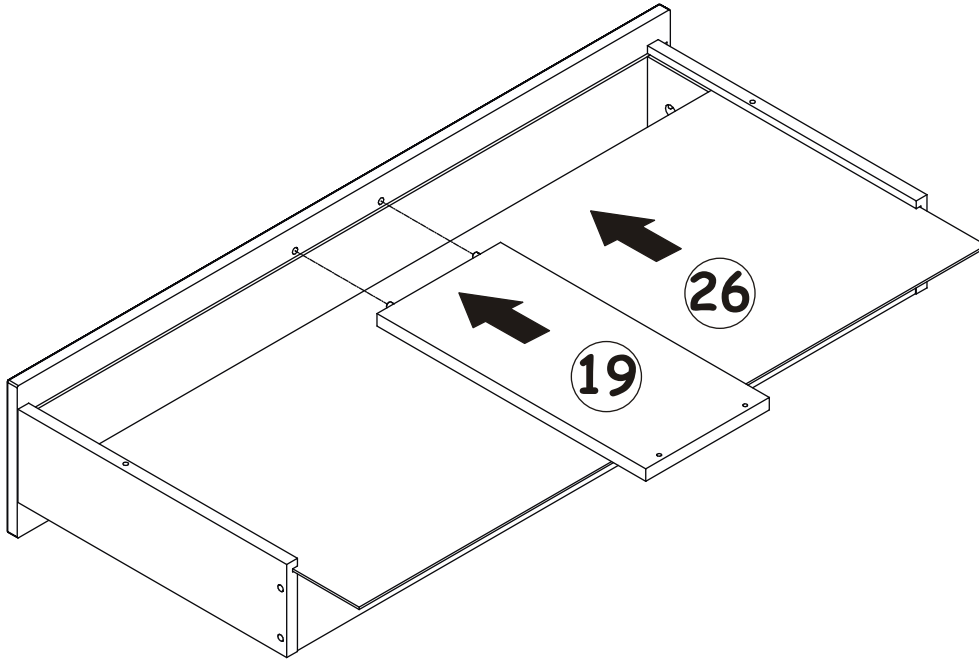
14



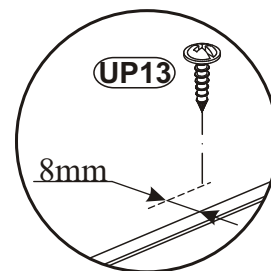
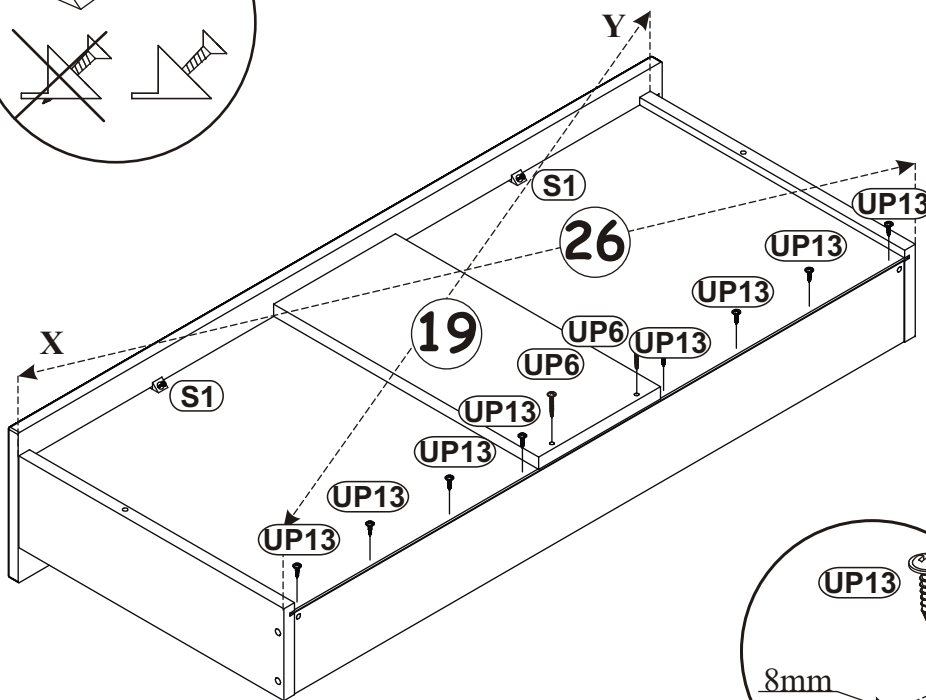
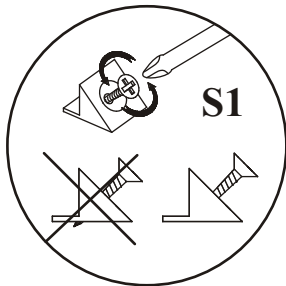
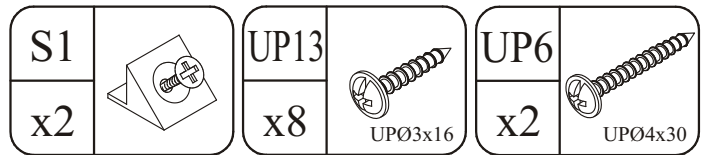
15



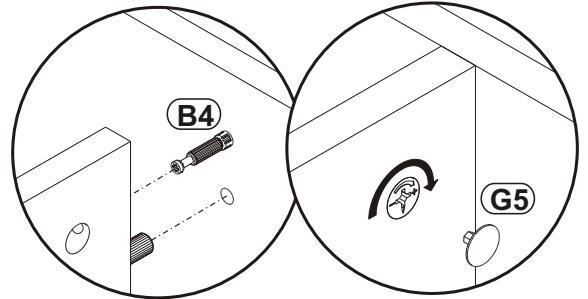
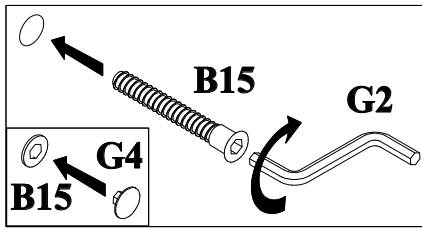
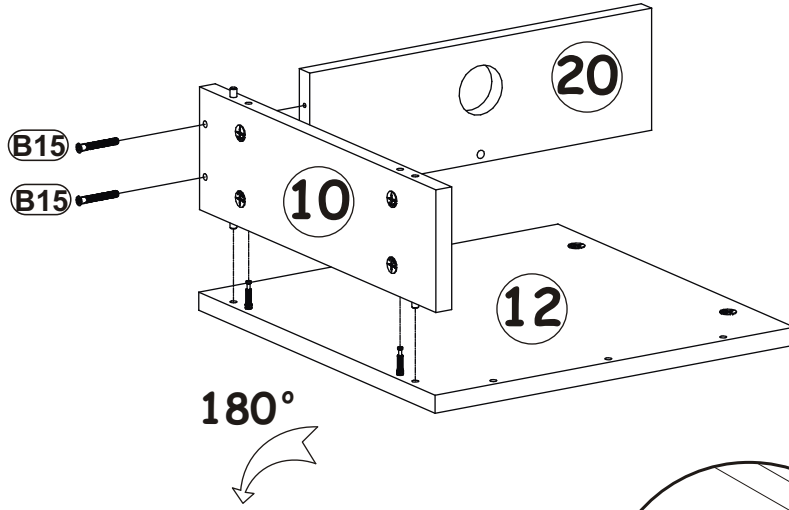
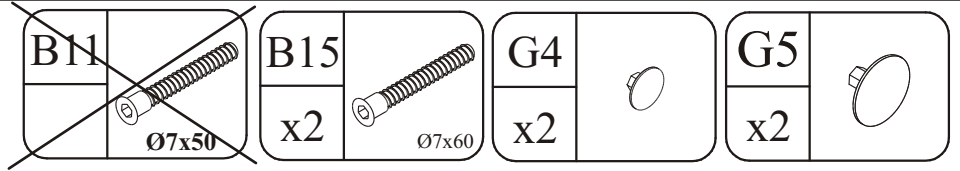
16



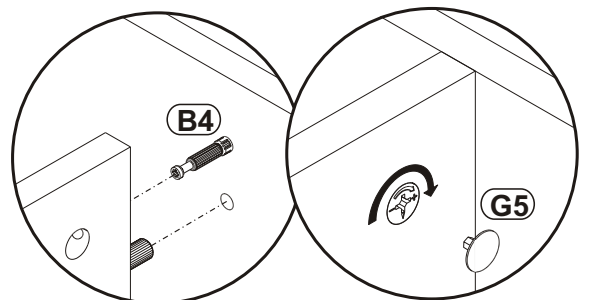
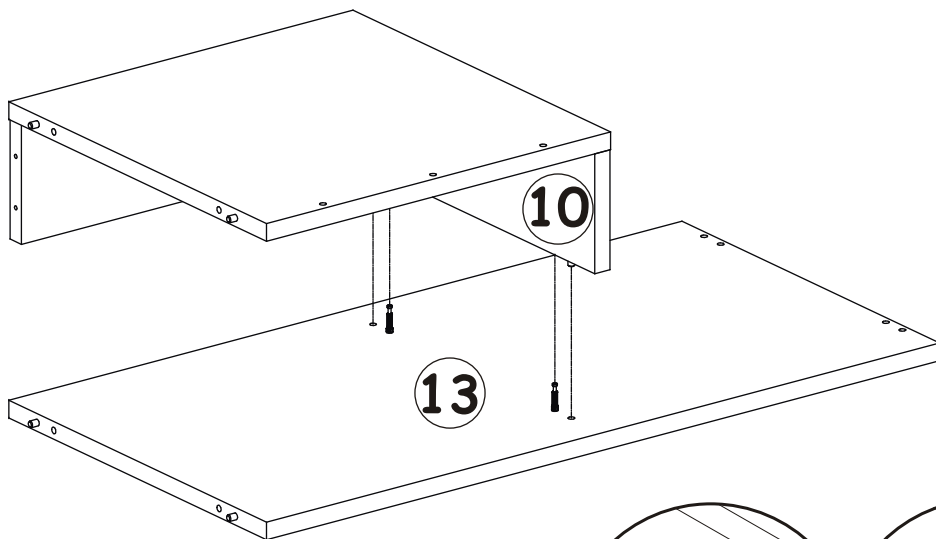
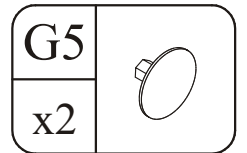
17



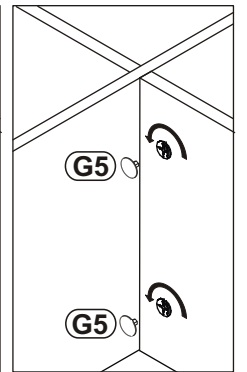
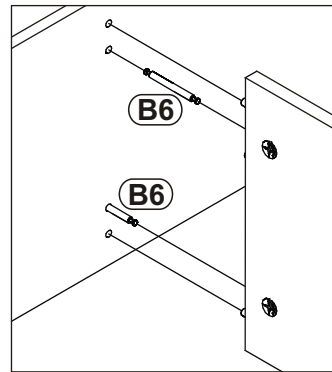
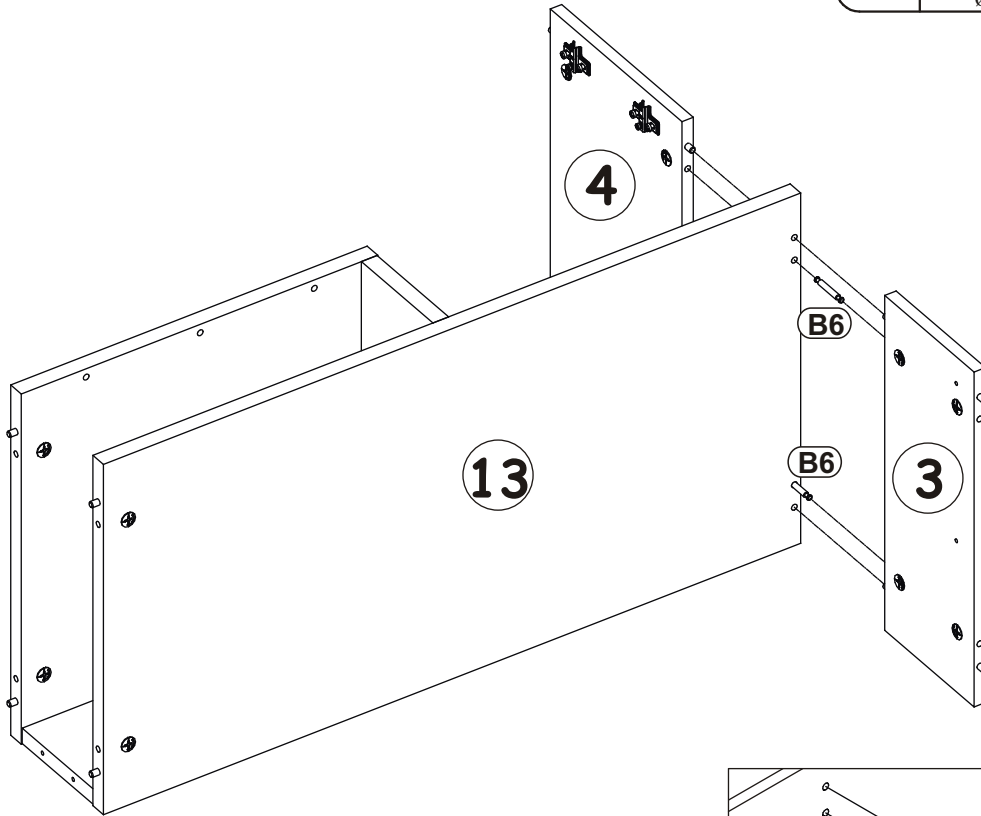
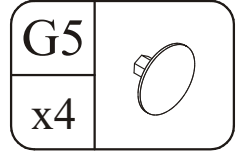
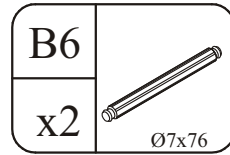
18



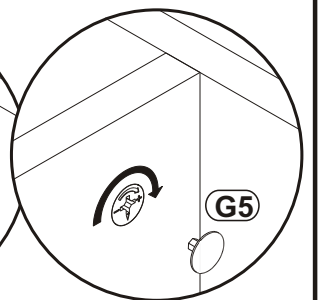
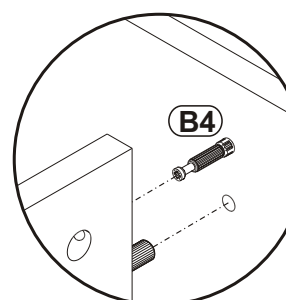
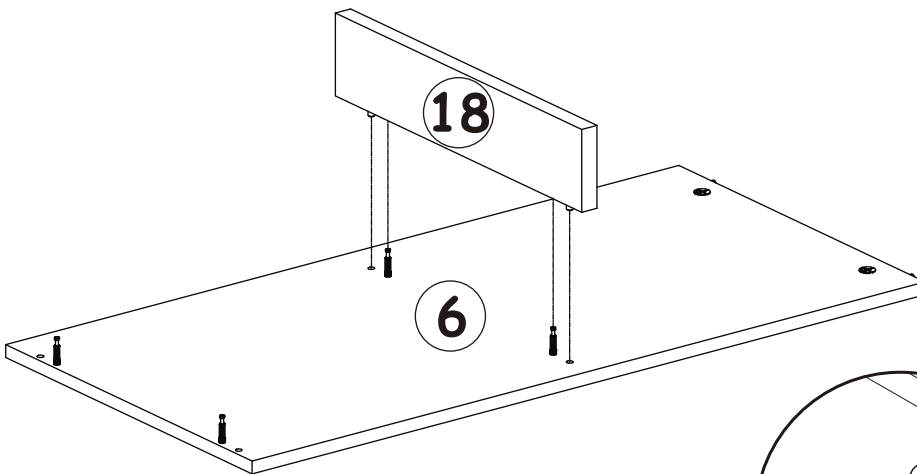
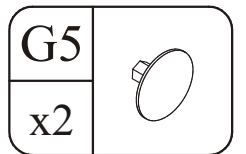
19




20

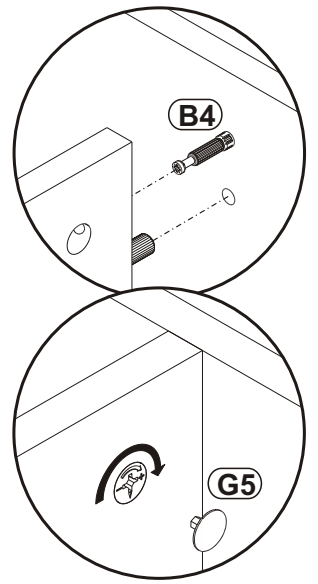
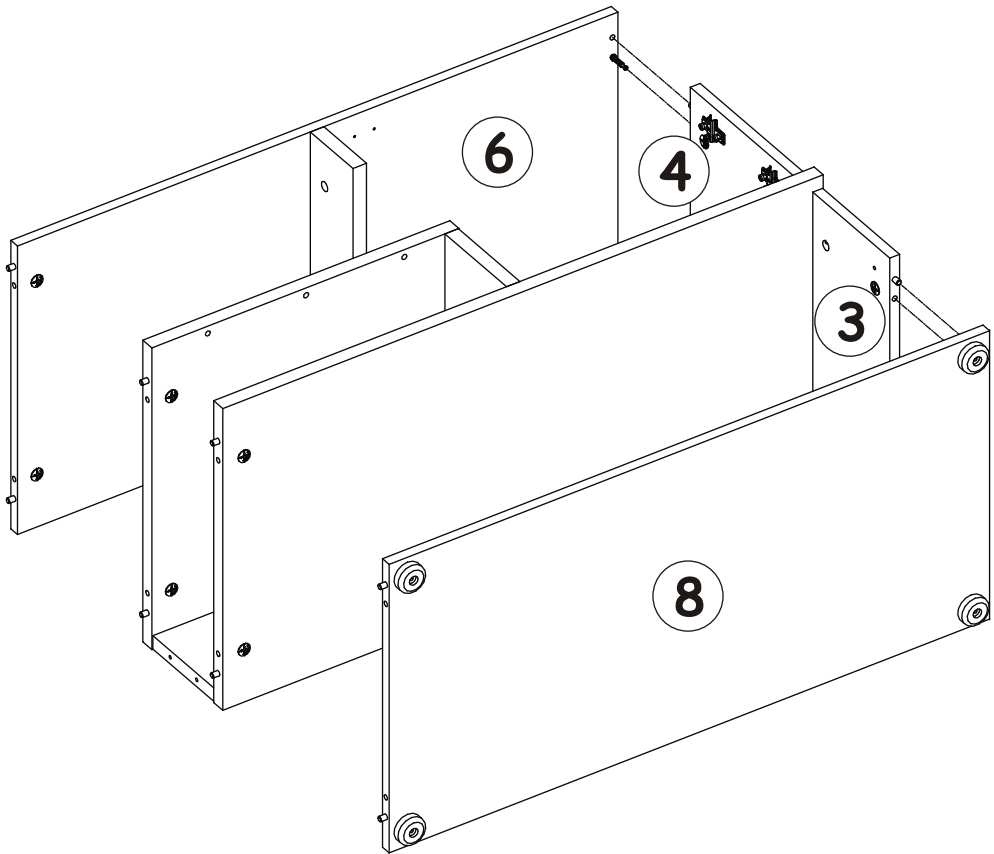


21

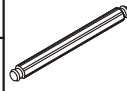



22

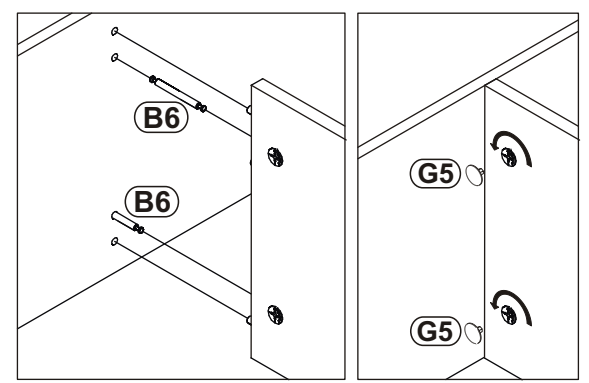
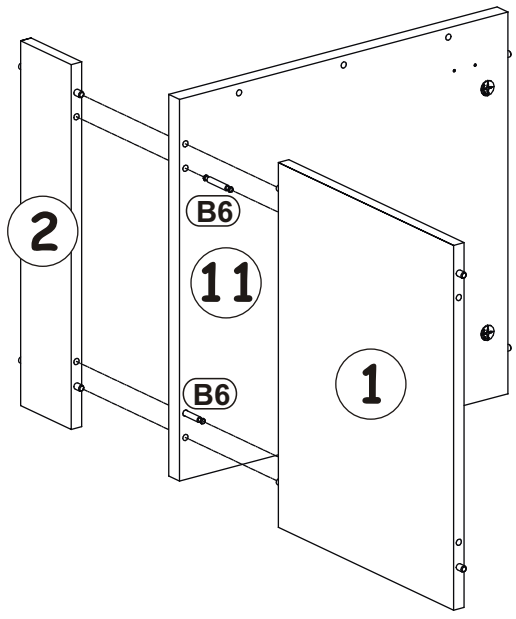
G5	
x4	



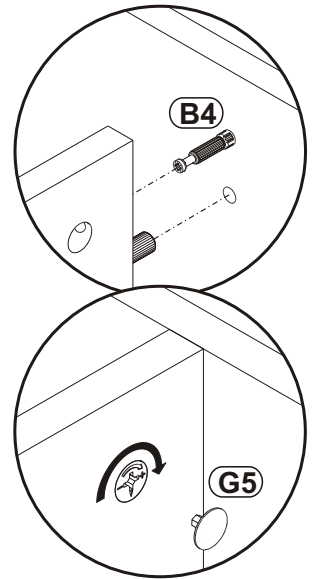
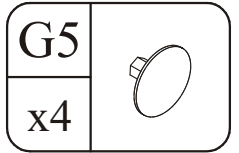
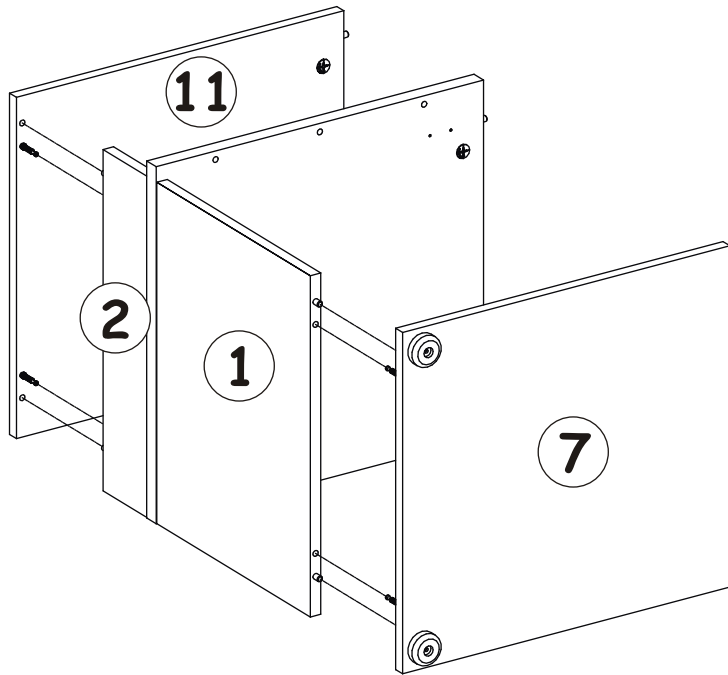
23

B6	
x2	Ø7x76

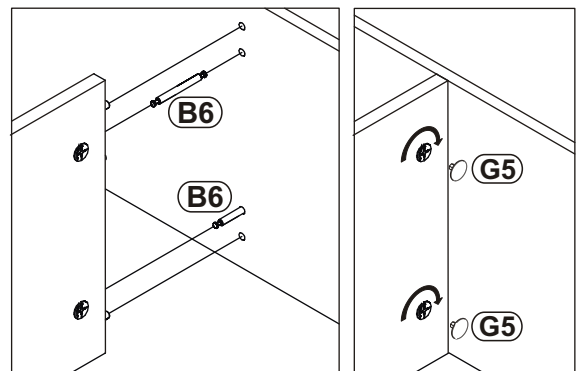
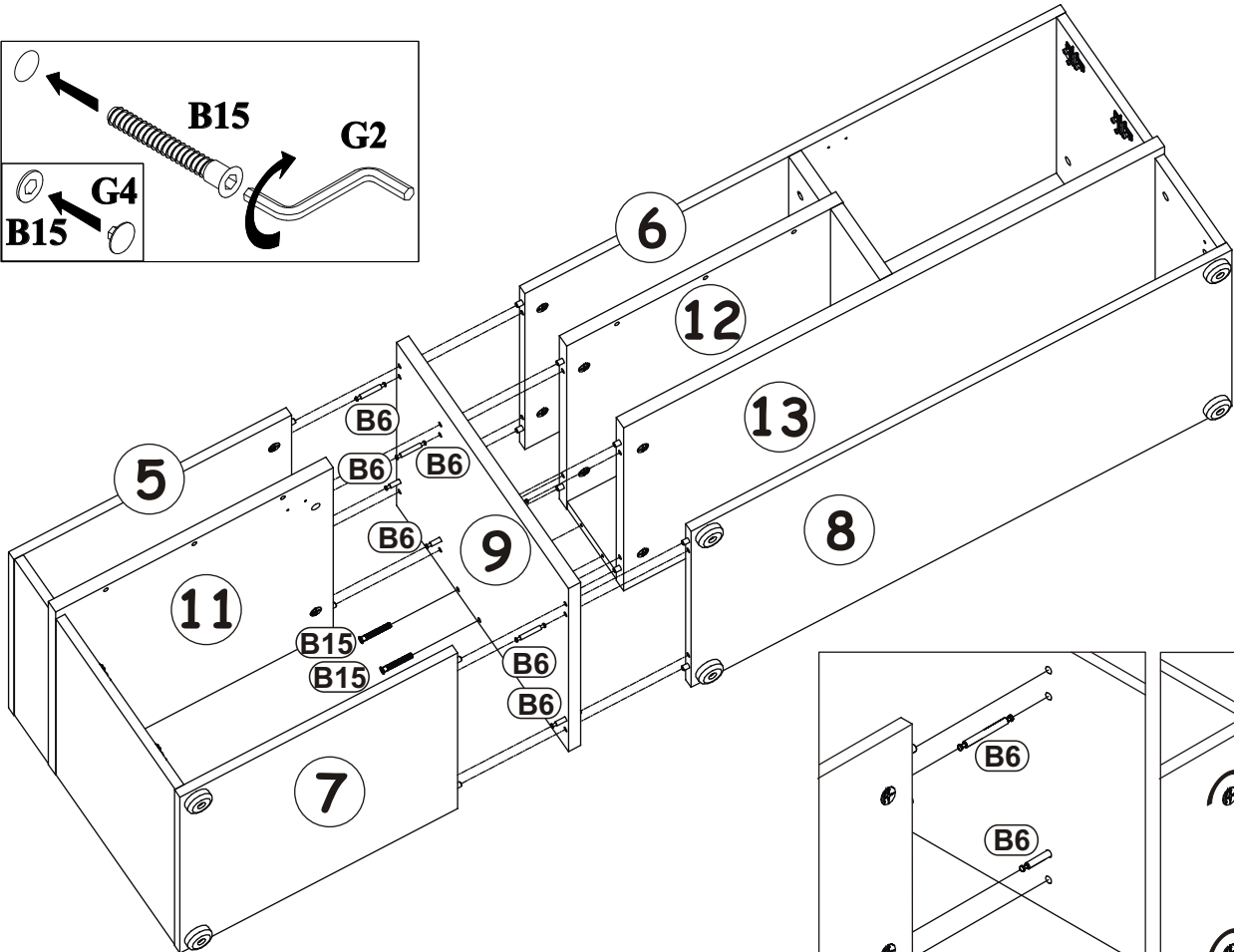
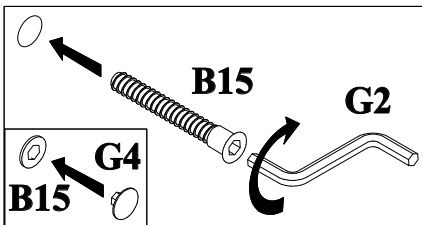
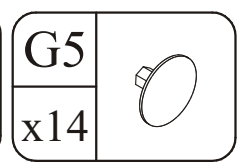
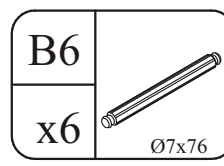
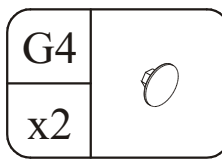
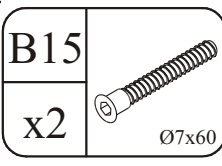
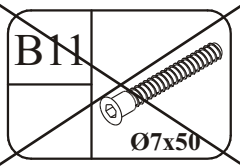
G5	
x4	



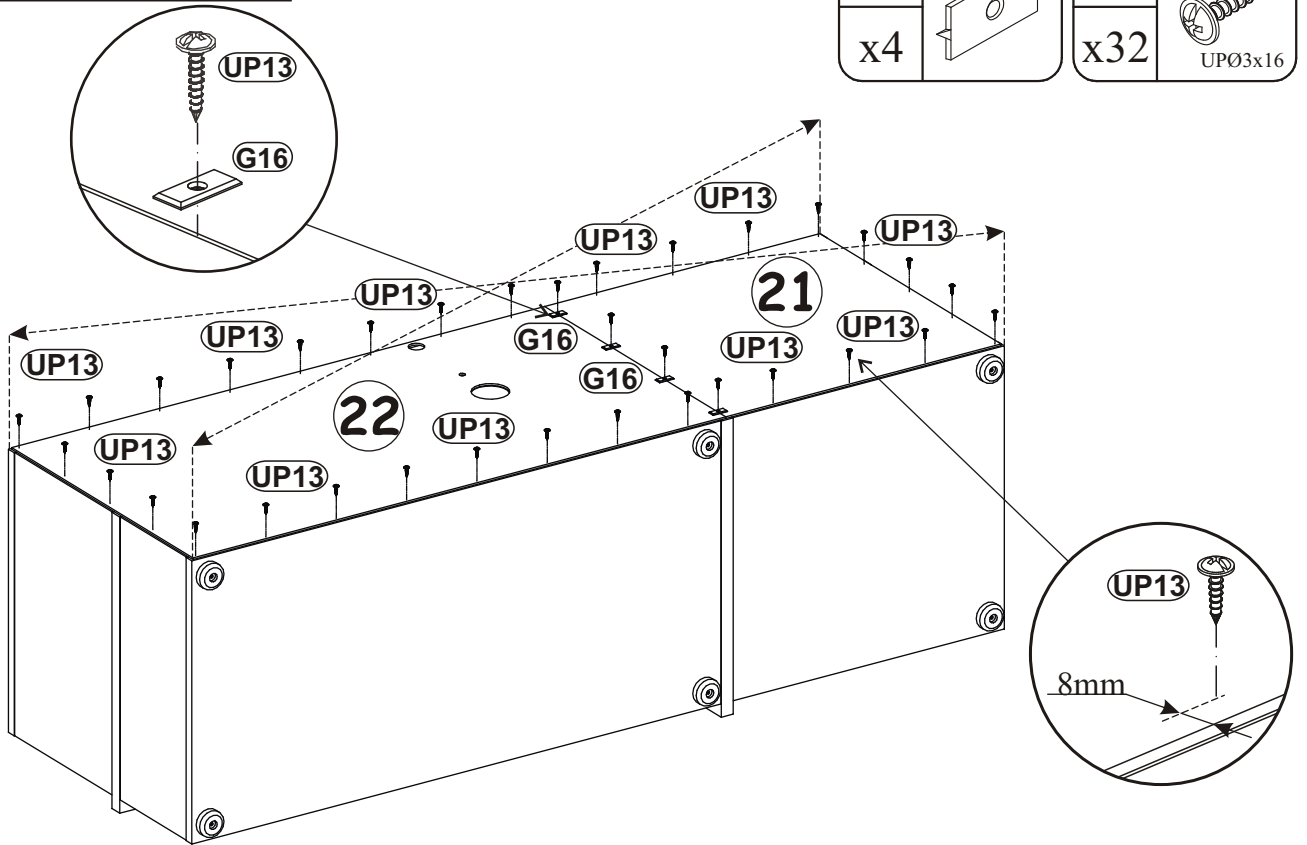
24



25

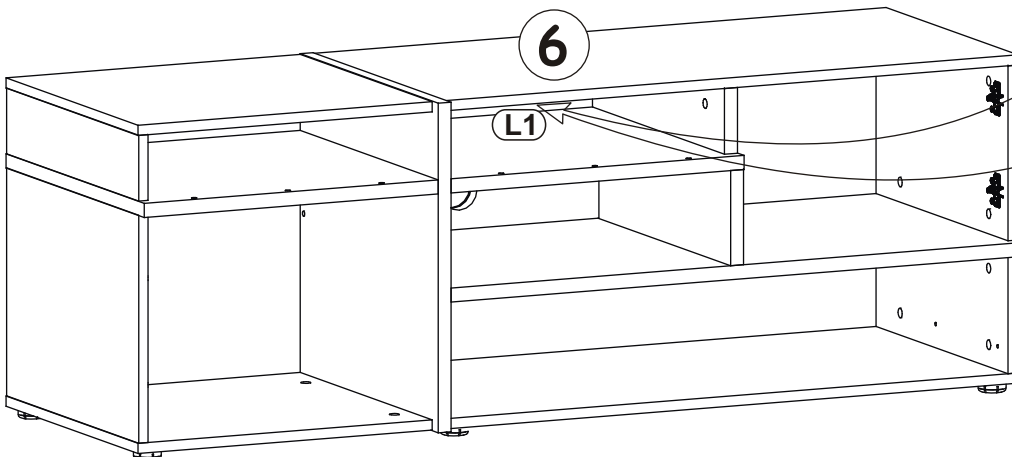
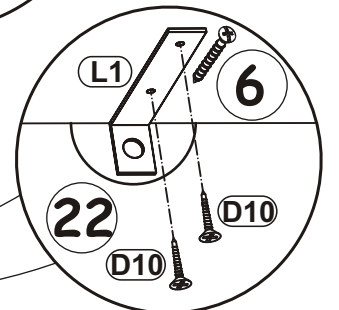
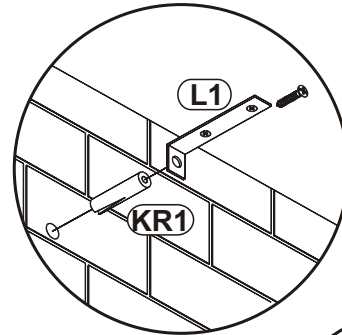
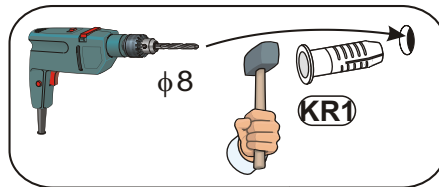
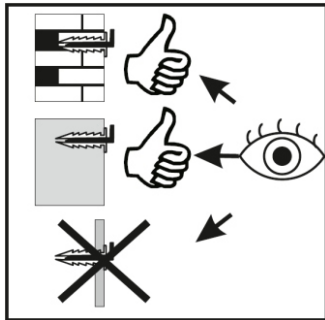


26



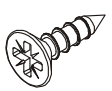





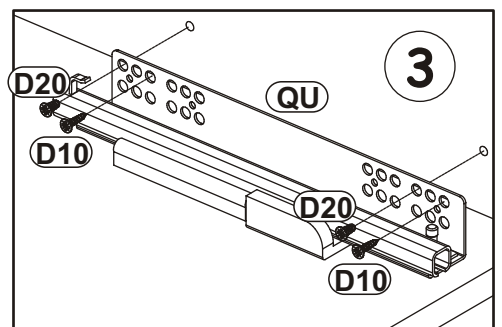
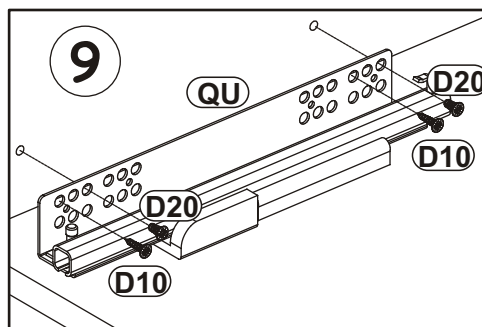
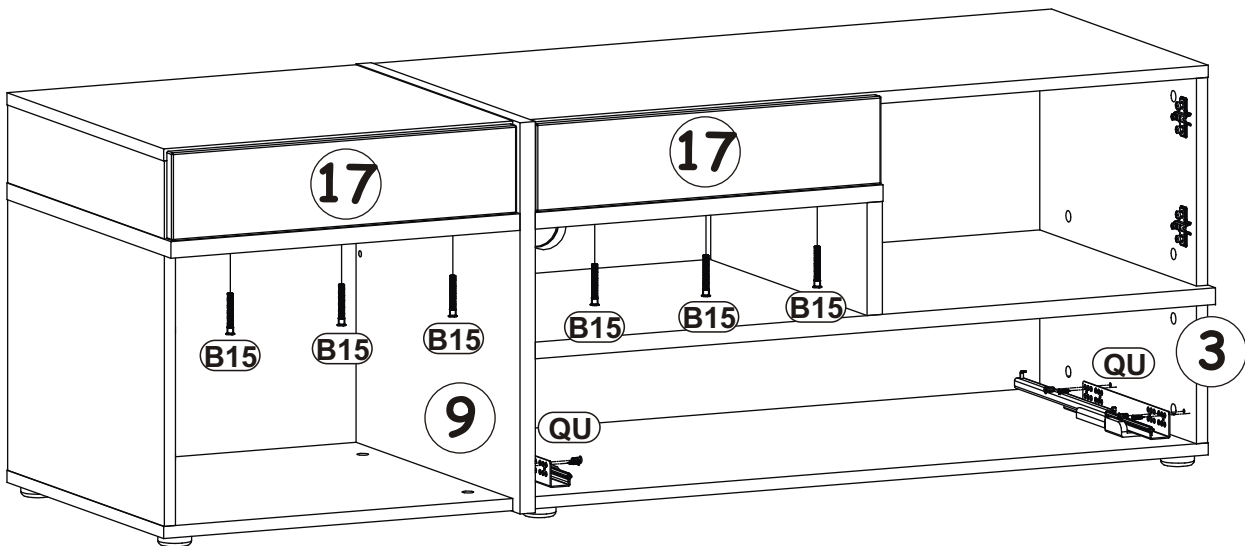
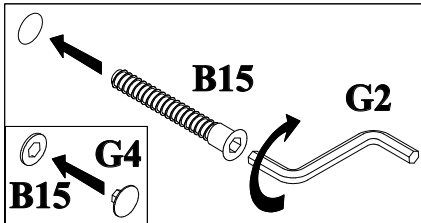
G16		UP13	
x4		x32	UP03x16

27

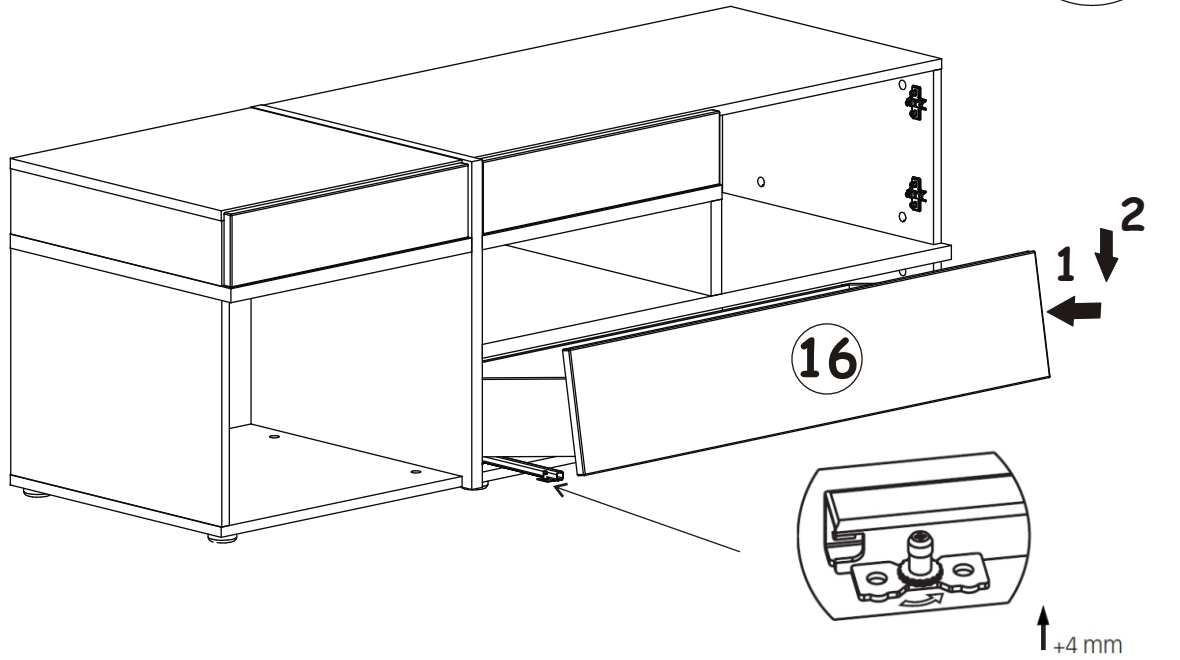


KR1		L1		D10	
x1		x1		x2	US03,5x13

QU x1	 L-400mm	D20 x4	 ESØ6,3x9,5	D10 x4	 USØ3,5x13
B11	 Ø7x50	B15 x6	 Ø7x60	G4 x6	

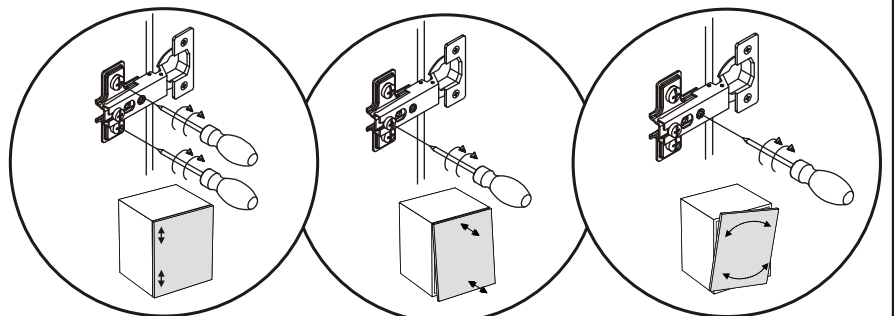
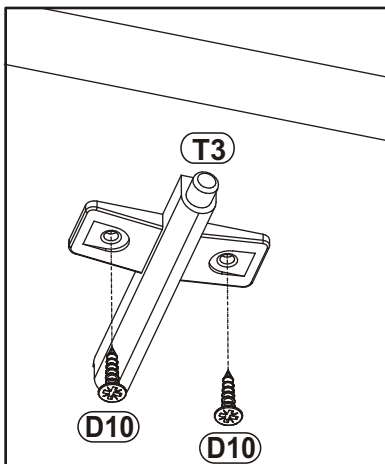
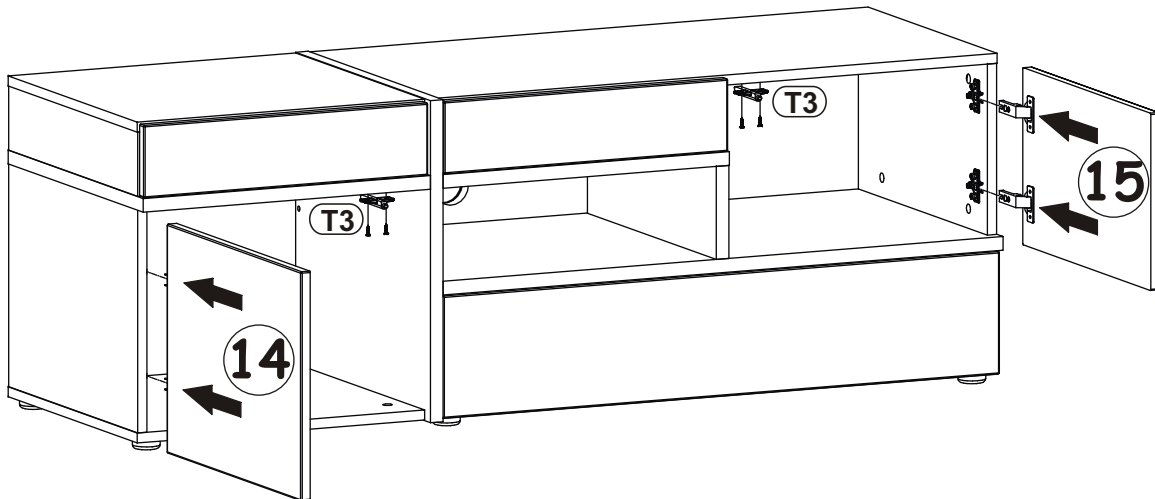


29

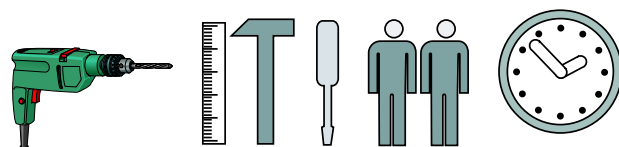
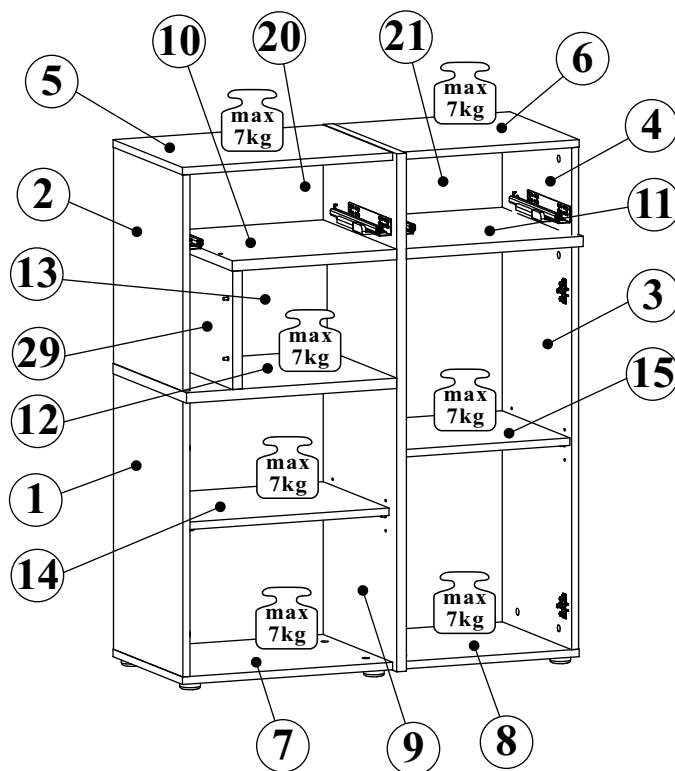
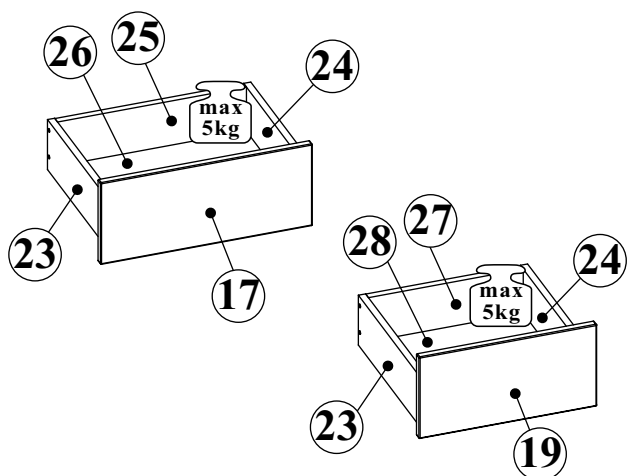
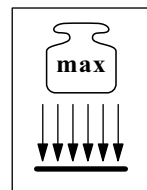
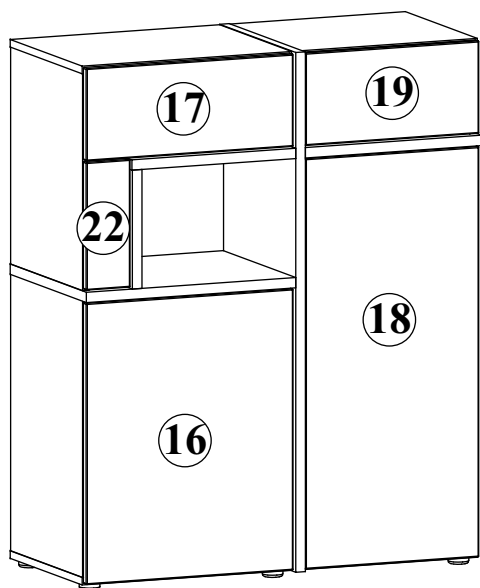


30

T3		D10	
x2		x4	USØ3,5x13



CROSS 28PEWCS WSN



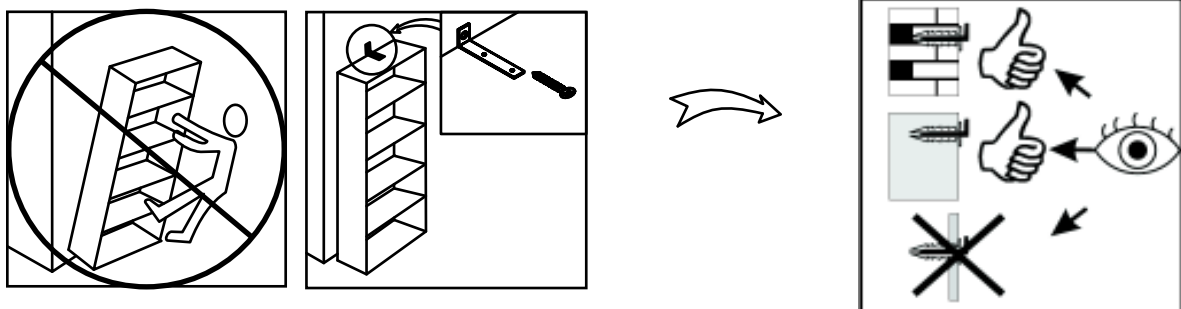
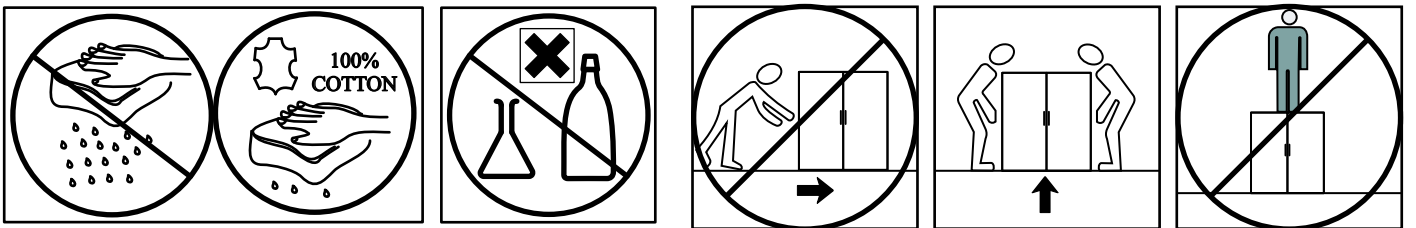
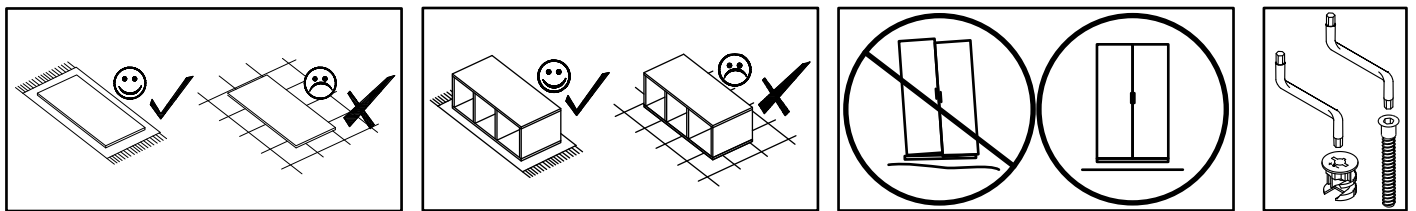
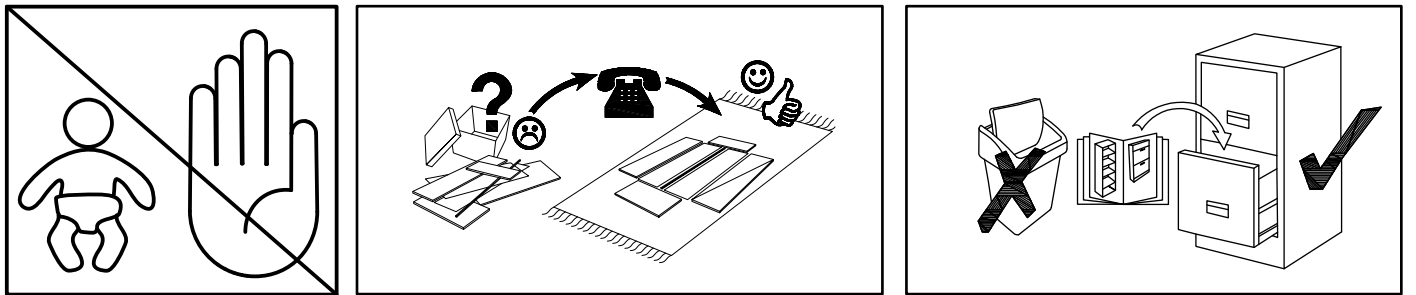
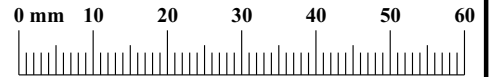
180 min

NO	Dim.		Col.-No	Qty	
1	586	377	16	2	1
2	460	377	16	2	1
3	860	377	16	2	1
4	186	377	16	2	1
5	478	377	16	2	1
6	402	377	16	2	1
7	478	377	16	2	1
8	402	377	16	2	1
9	1102	399	22	1	1
10	374	399	22	1	1
11	402	399	22	1	1
12	478	399	22	1	1
13	350	251	22	1	1
14	461	367	16	2	1
15	385	367	16	2	1


NO	Dim.		Col.-No	Qty	
16	596	472	16	1	1
17	196	472	16	1	1
18	870	396	16	1	1
19	196	396	16	1	1
20	1094	485	3	1	1
21	1094	410	3	1	1
22	271	100	16	1	1
23	350	120	16	2	2
24	350	120	16	2	2
25	421	106	16	2	1
26	354	433	3	2	1
27	345	106	16	2	1
28	354	357	3	2	1
29	252	399	22	1	1

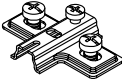
CROSS 28PEWCS WSN


A1 x42 ø8x36	B4 x14	B6 x10 Ø7x76	B5 x28 ø15x12	B16 x6 Ø15x16	G5 x34
E21 x4 Ø35 H=0	E2 x4 H=0	D10 x22 USØ3,5x13	QU x2 L-350mm	D20 x8 ESØ6,3x9,5	G7 x10
I11 x6 Ø45, h=15	UP15 x6 UPØ4x25	S1 x2	G16 x10	UP13 x42 UPØ3x16	T3 x2
B11 x8 Ø7x50	B15 x8 Ø7x60	G4 x16	L6 x2	D31 x4 EKØ6,3x13	G2 x1
KR1 x1	L1 x1				

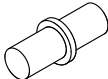


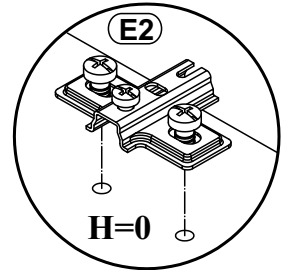
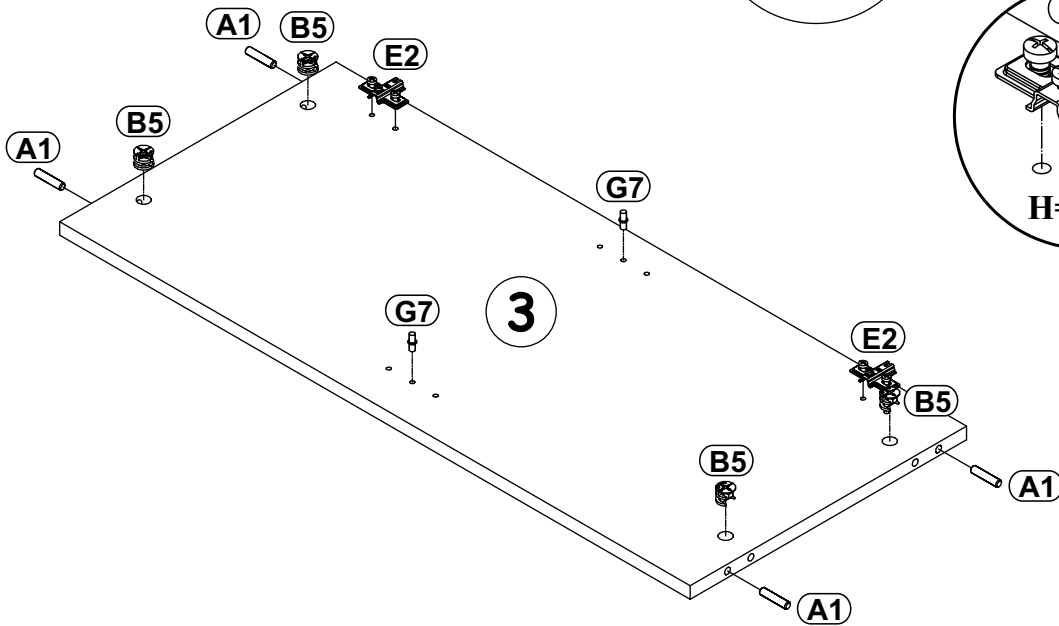
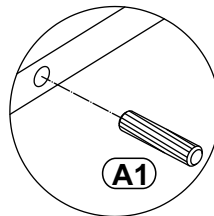
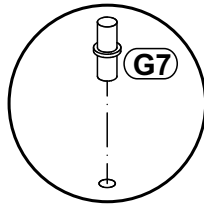
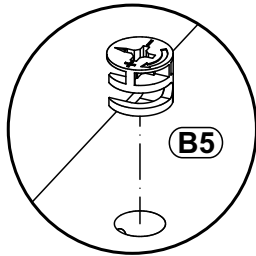
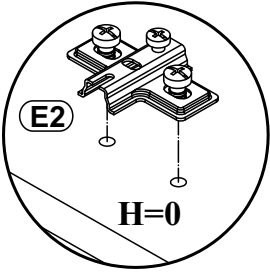
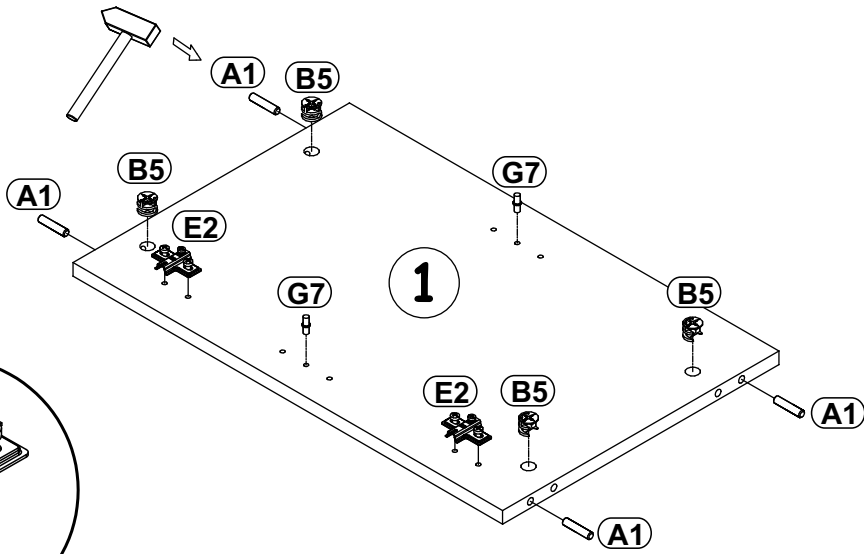
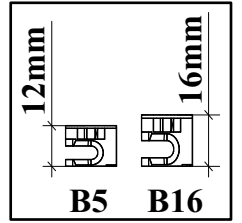
1

A1	
x8	ø8x36

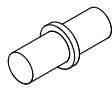
E2	
x4	H=0

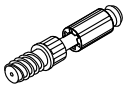
B5	
x8	ø15x12

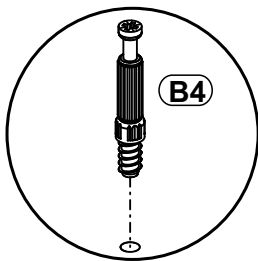
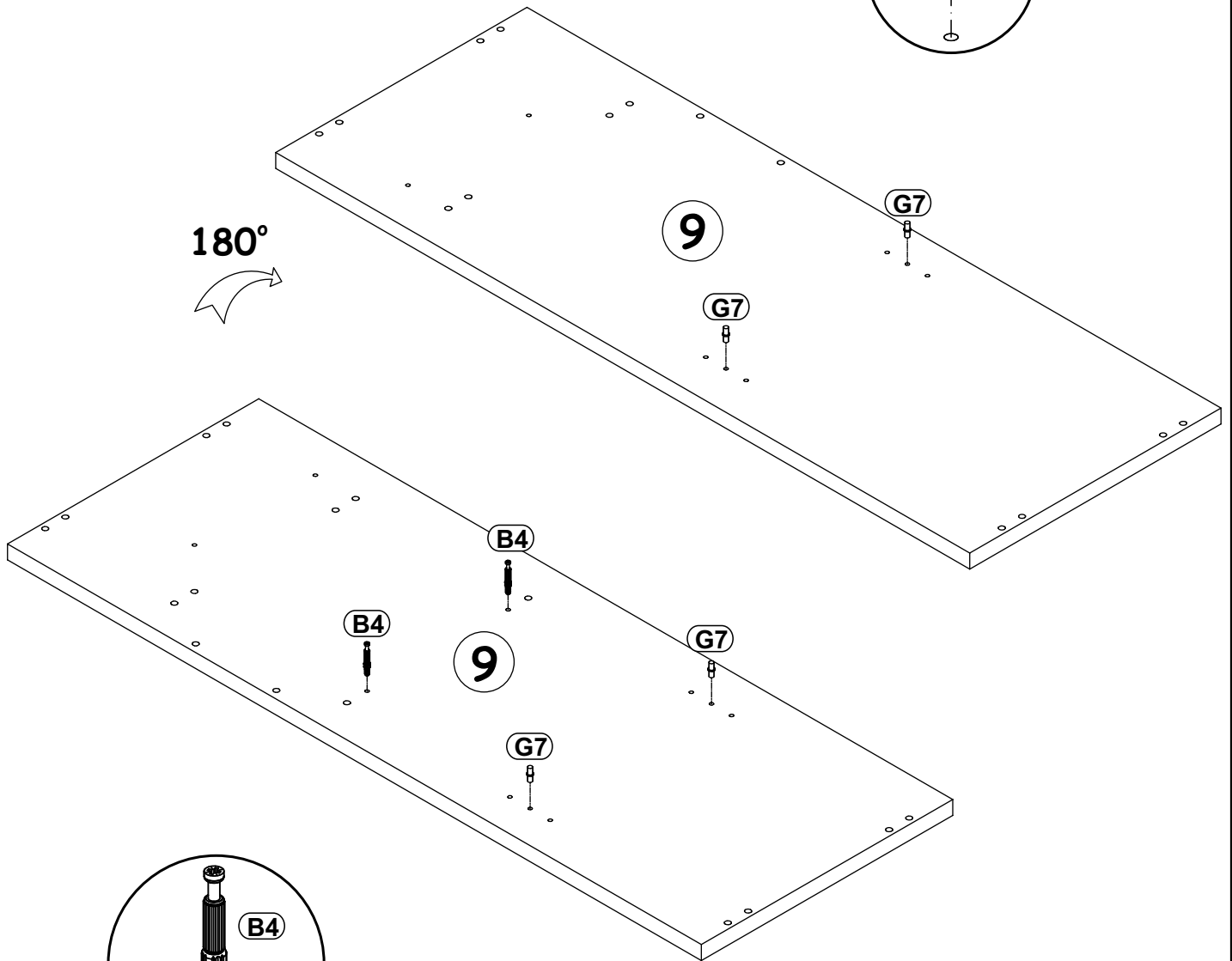
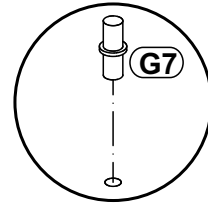
G7	
x4	



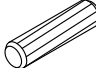
2


G7	
x4	

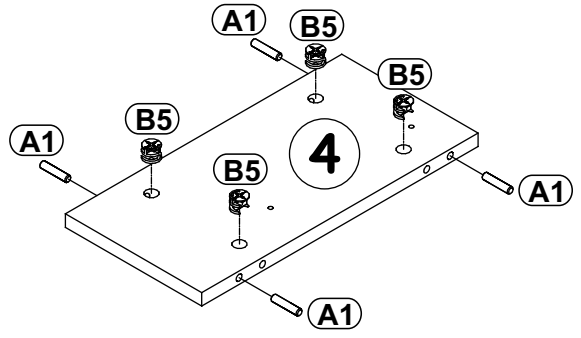
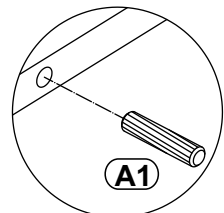
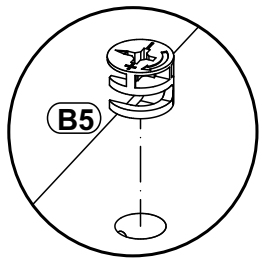
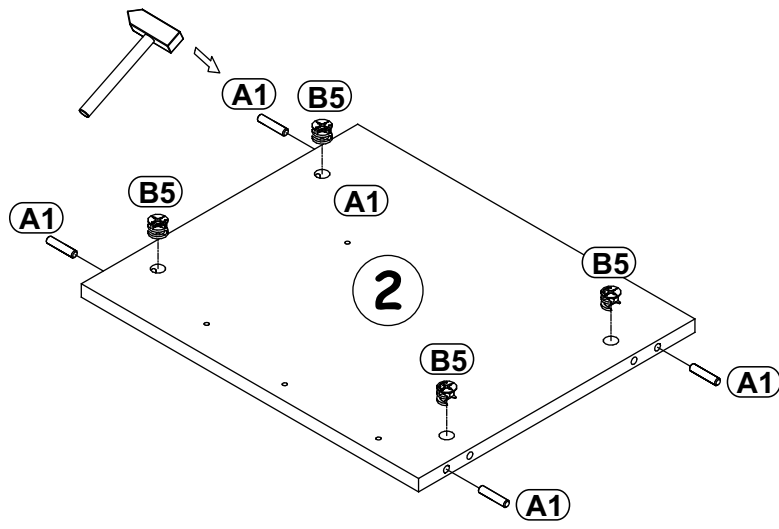
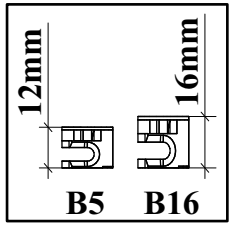
B4	
x2	



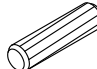
3

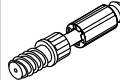
A1	
x8	ø8x36


B5	
x8	ø15x12

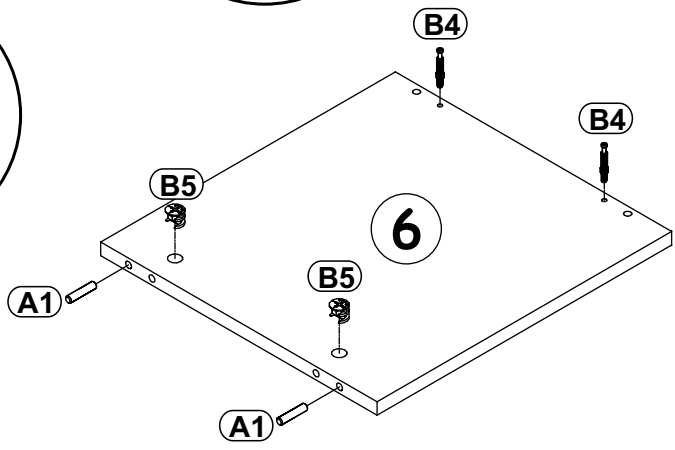
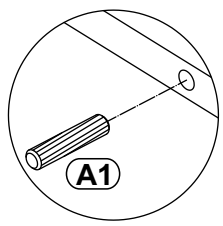
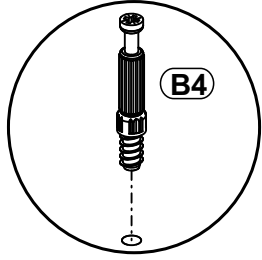
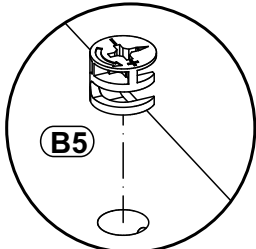
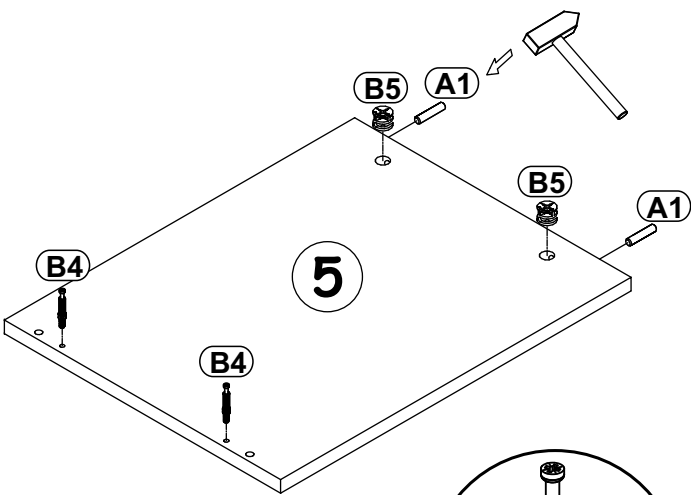


4

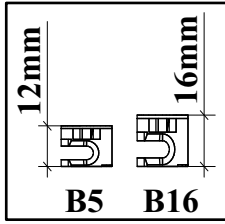
A1	
x4	ø8x36

B4	
x4	

B5	
x4	ø15x12



5



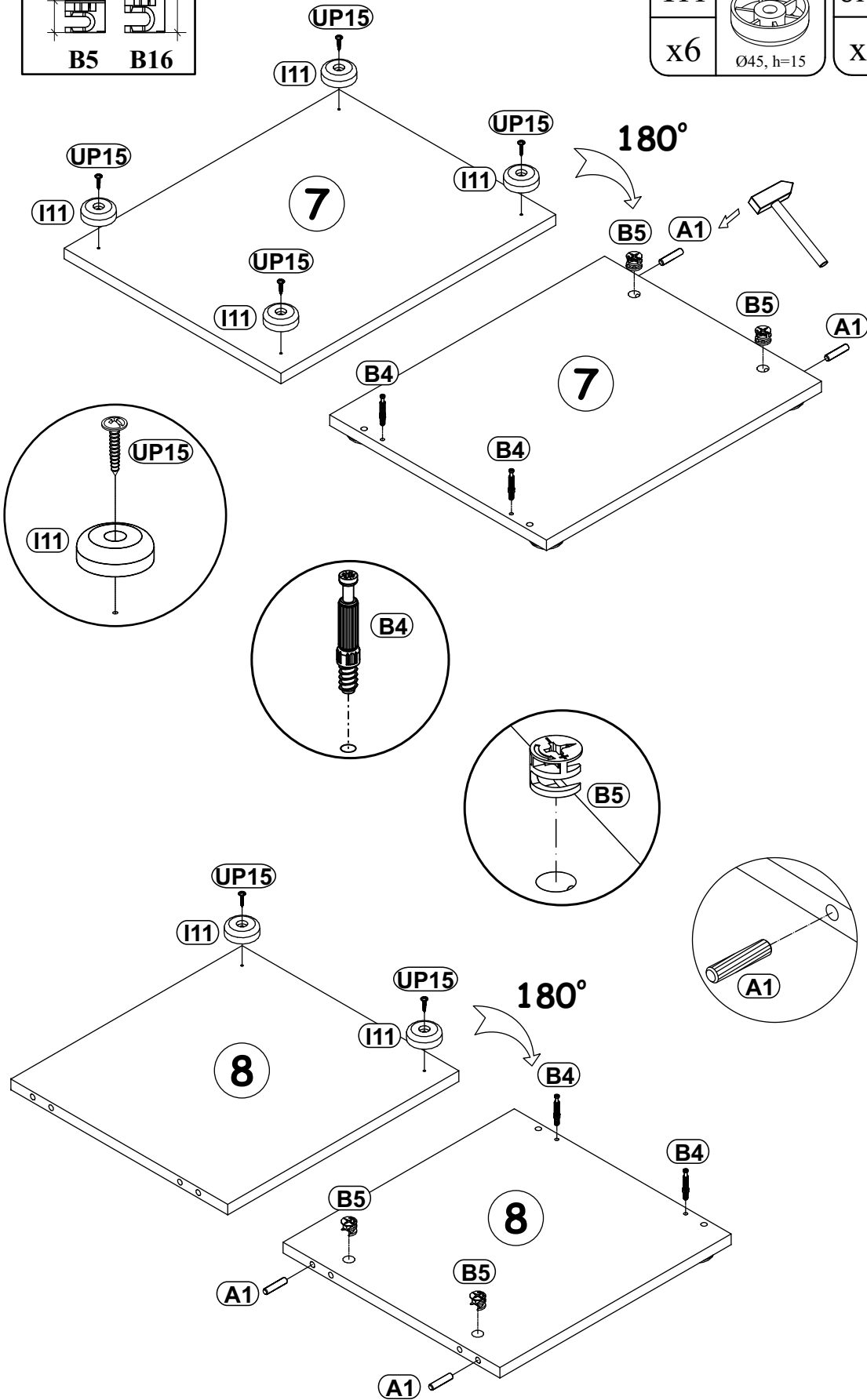
A1	
x4	ø8x36

B4	
x4	

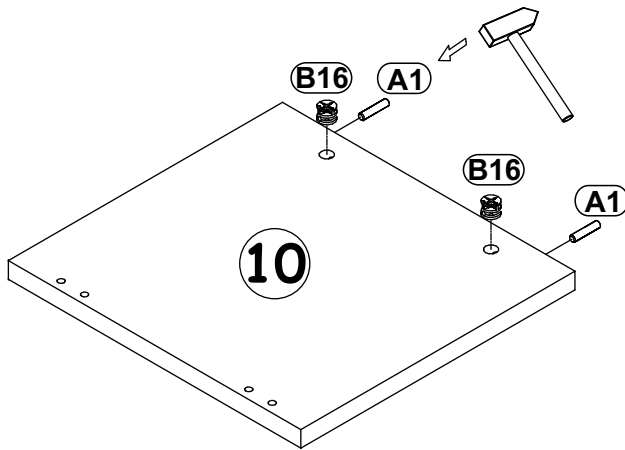
B5	
x4	ø15x12

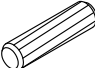
I11	
x6	Ø45, h=15

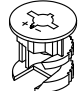
UP15	
x6	UPØ4x25





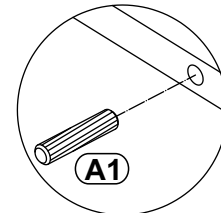
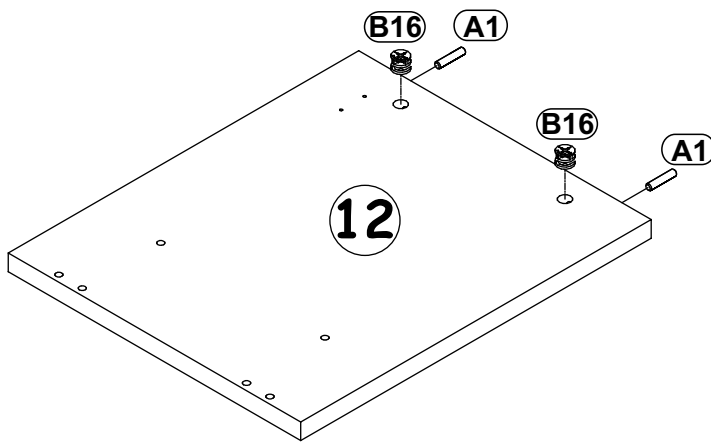
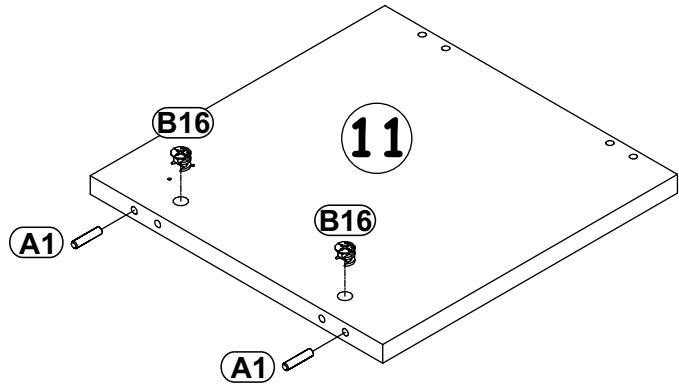
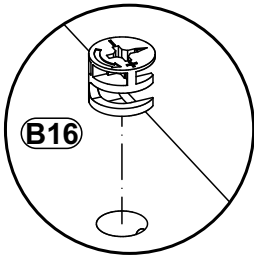
6



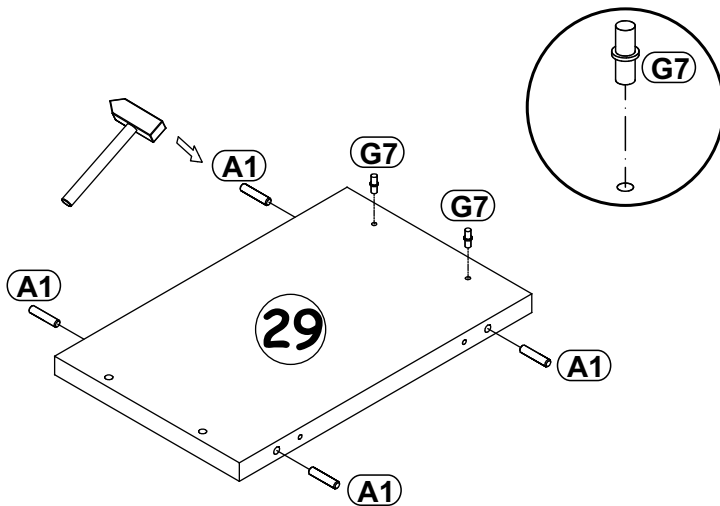
A1	
x6	ø8x36

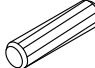
B16	
x6	Ø15x16

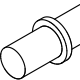
12mm		16mm	
	B5		B16

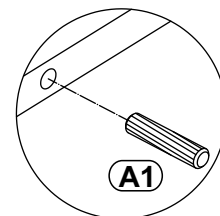
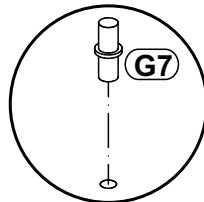


7

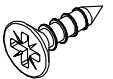


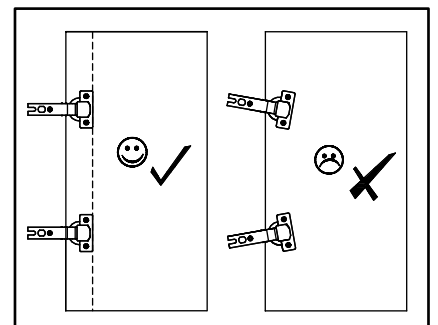
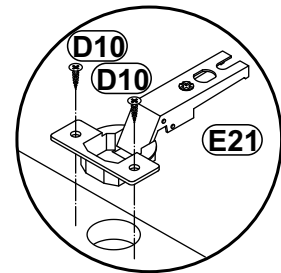
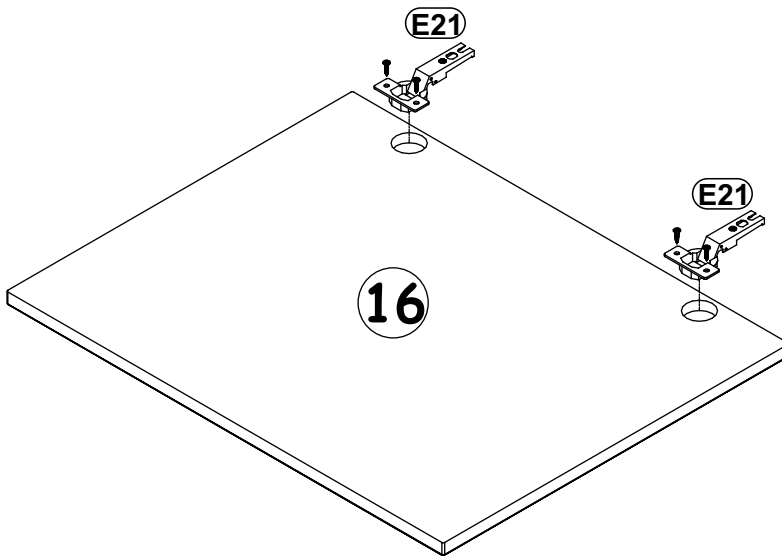
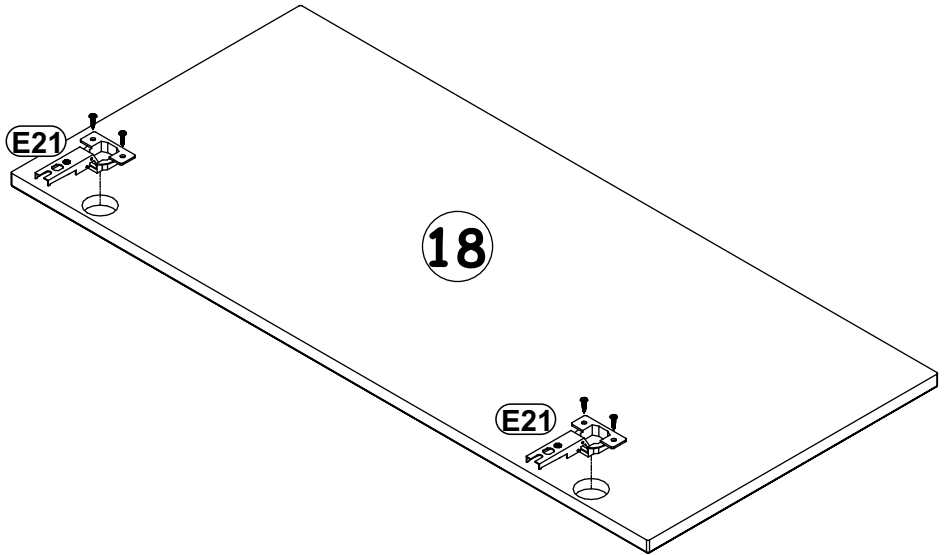
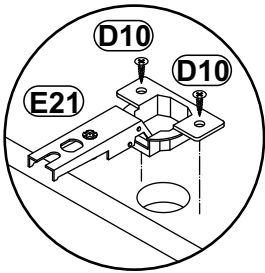
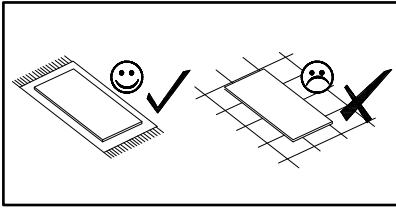
A1	
x4	ø8x36

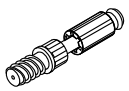
G7	
x4	



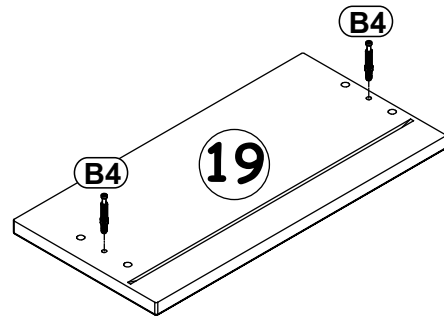
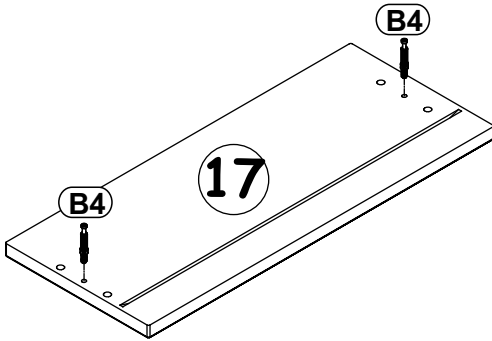
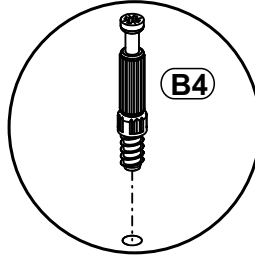
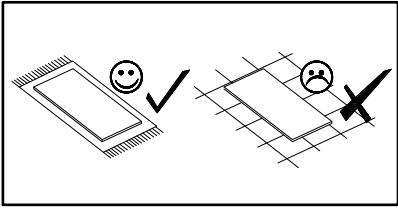
8

E21	Ø35	D10	 USØ3,5x13
x4	H=0	x8	

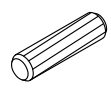



B4	
x4	

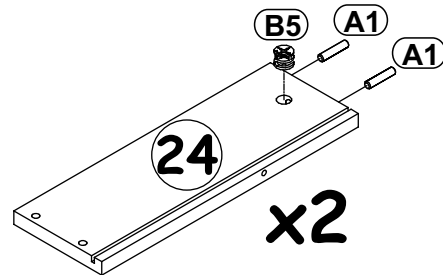
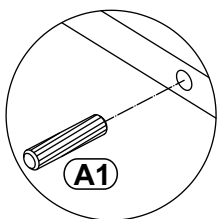
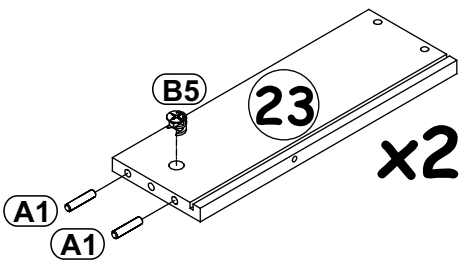
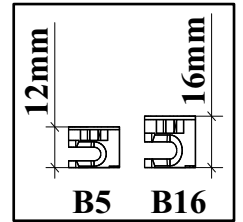
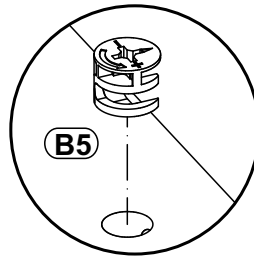
9



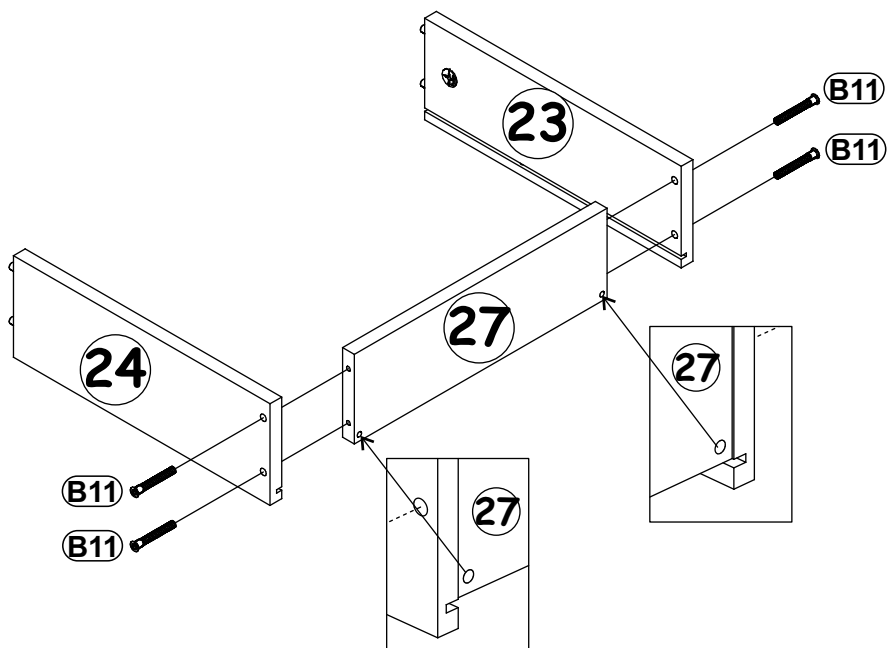
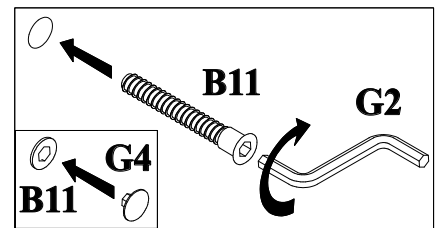
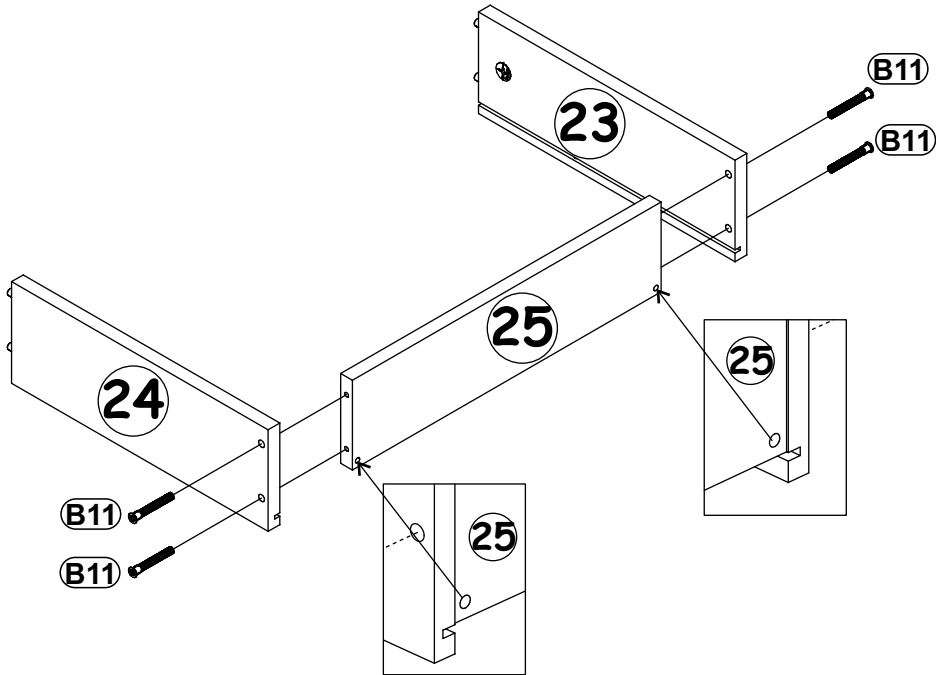
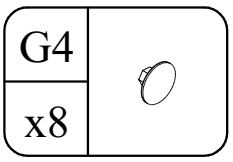
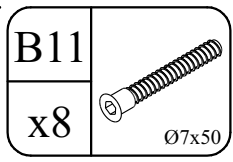
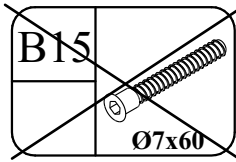
10


A1	
x8	

B5	
x4	

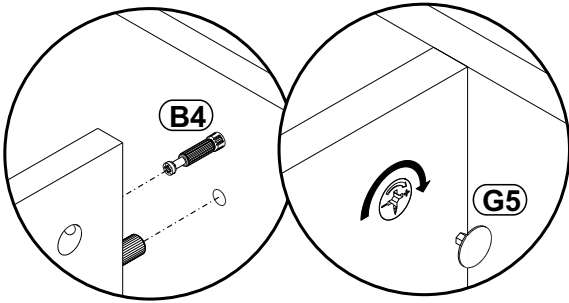
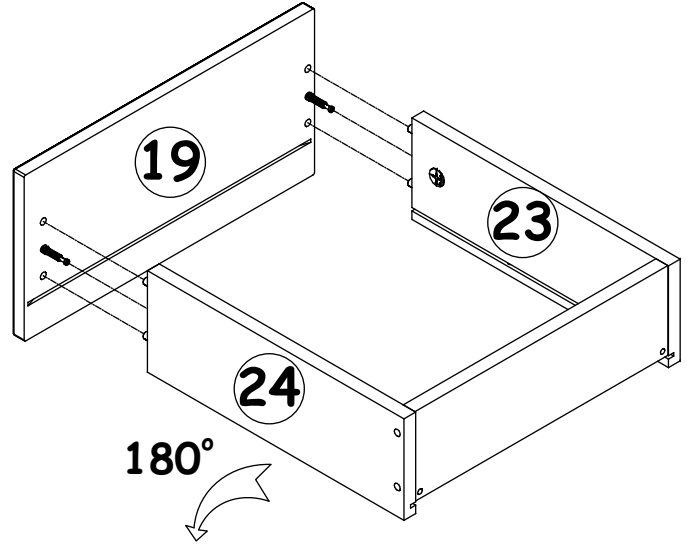
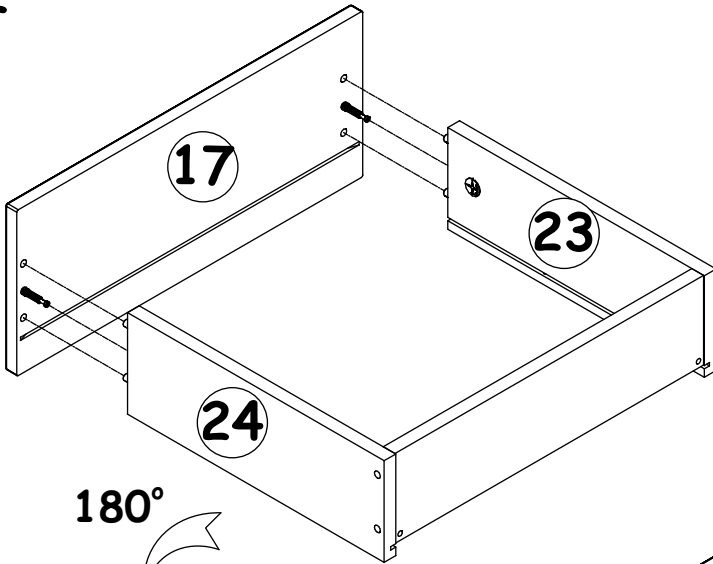


11

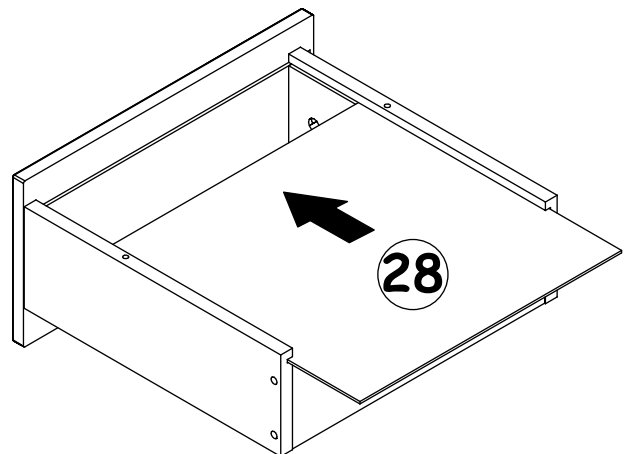
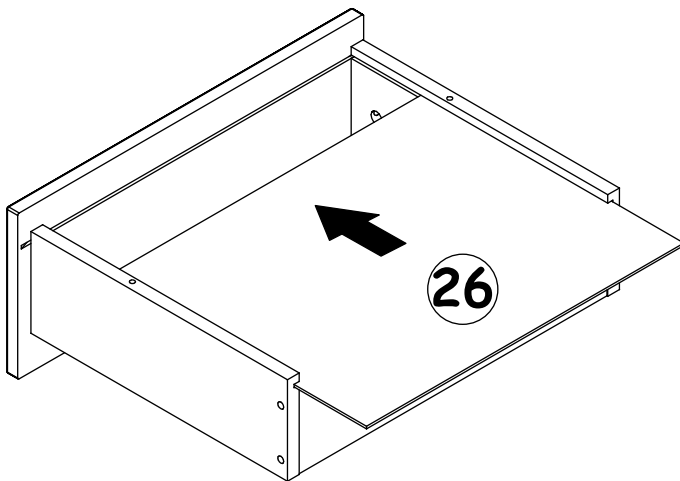


G5	
x4	

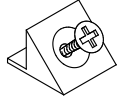
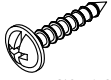
12

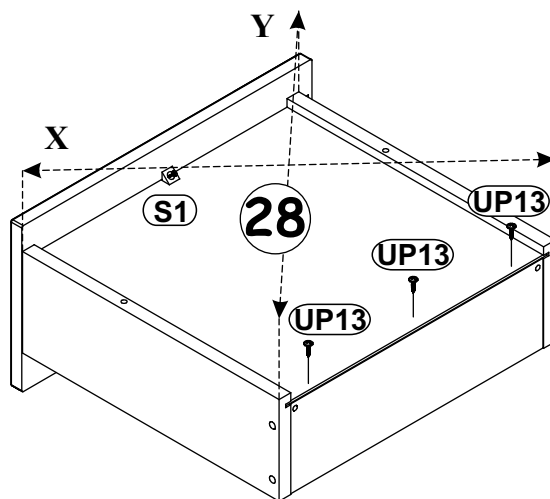
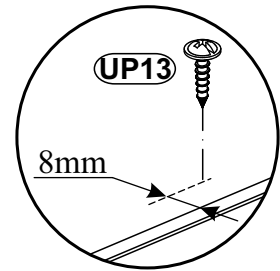
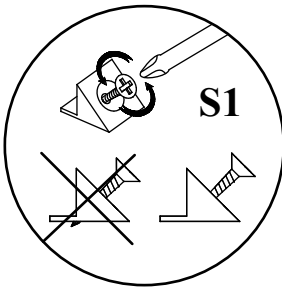
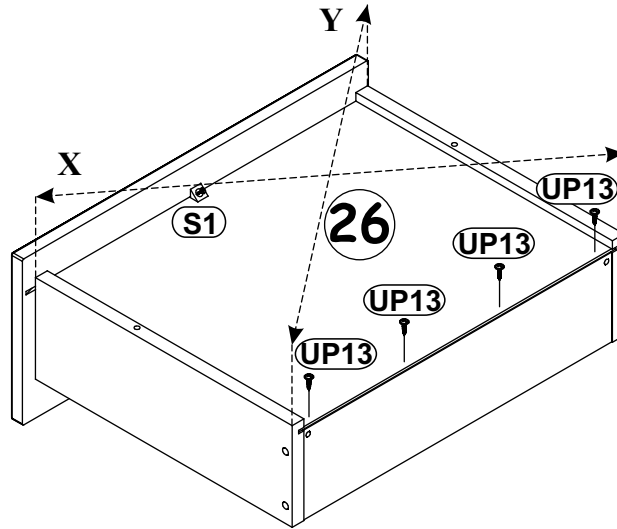
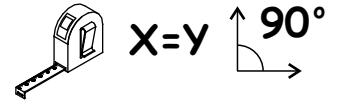


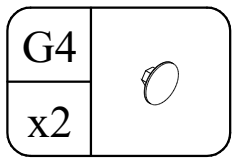
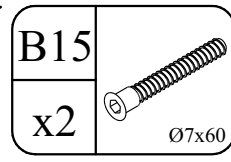
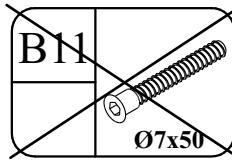
13



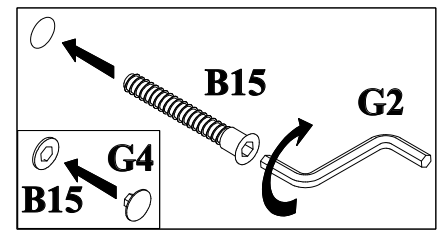
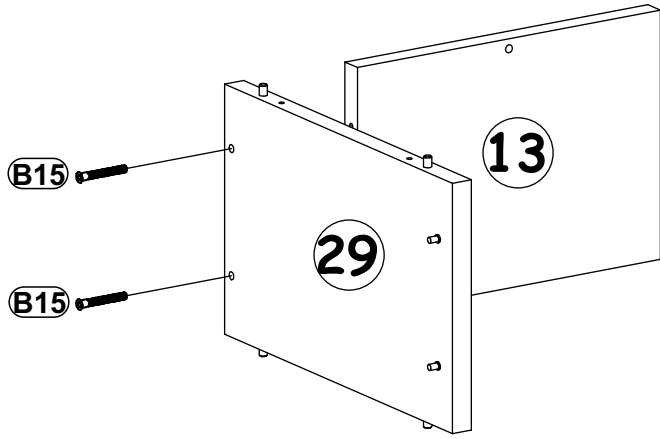
14

S1		UP13	
x2		x7	UPØ3x16

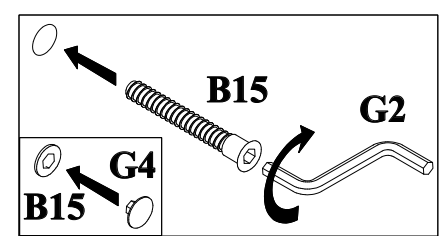
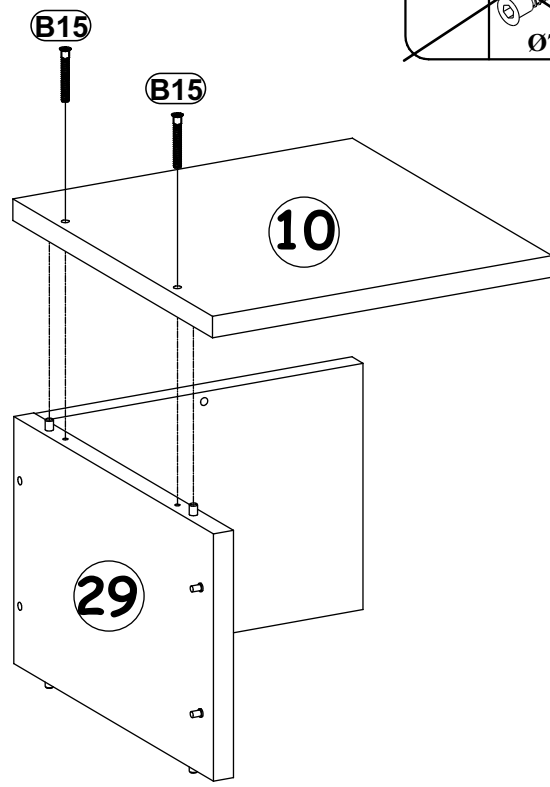
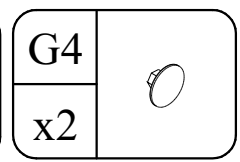
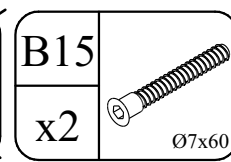
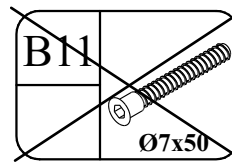




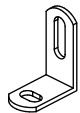
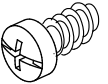
15

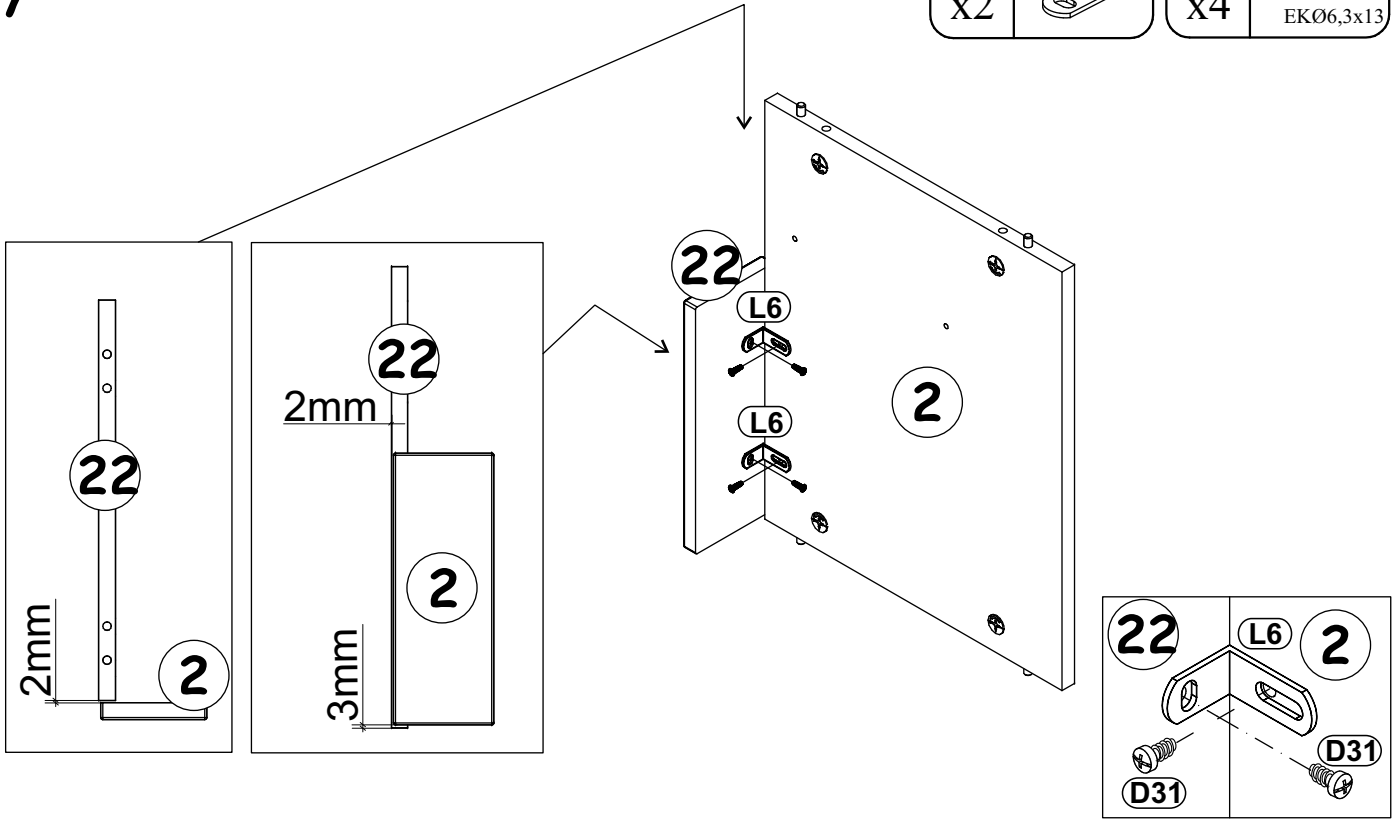


16



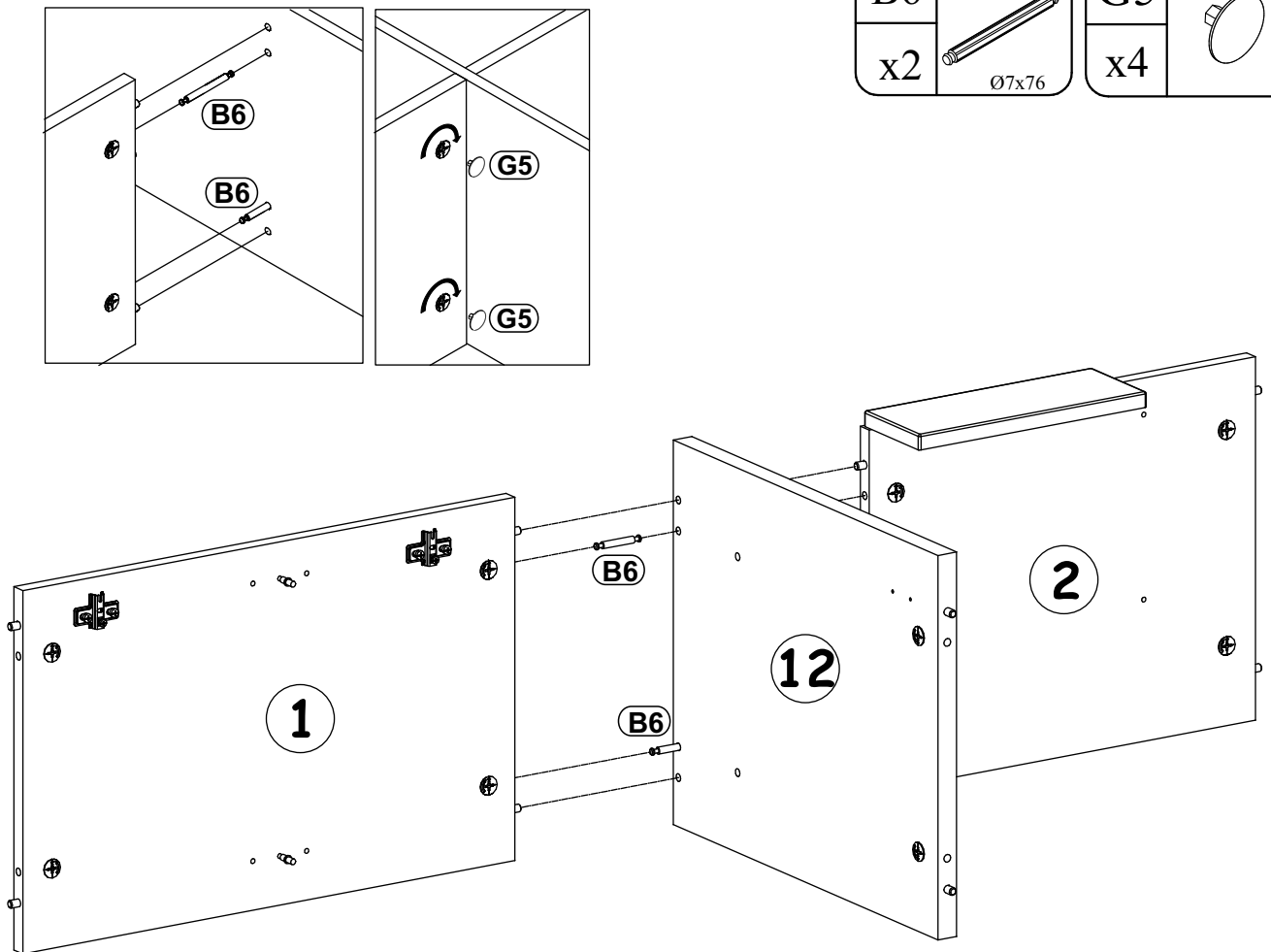
17




L6		D31	
x2		x4	EKØ6,3x13



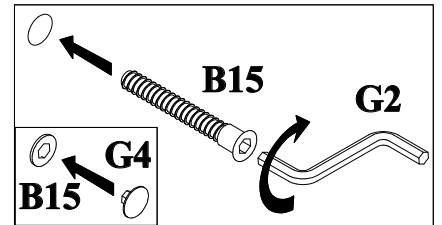
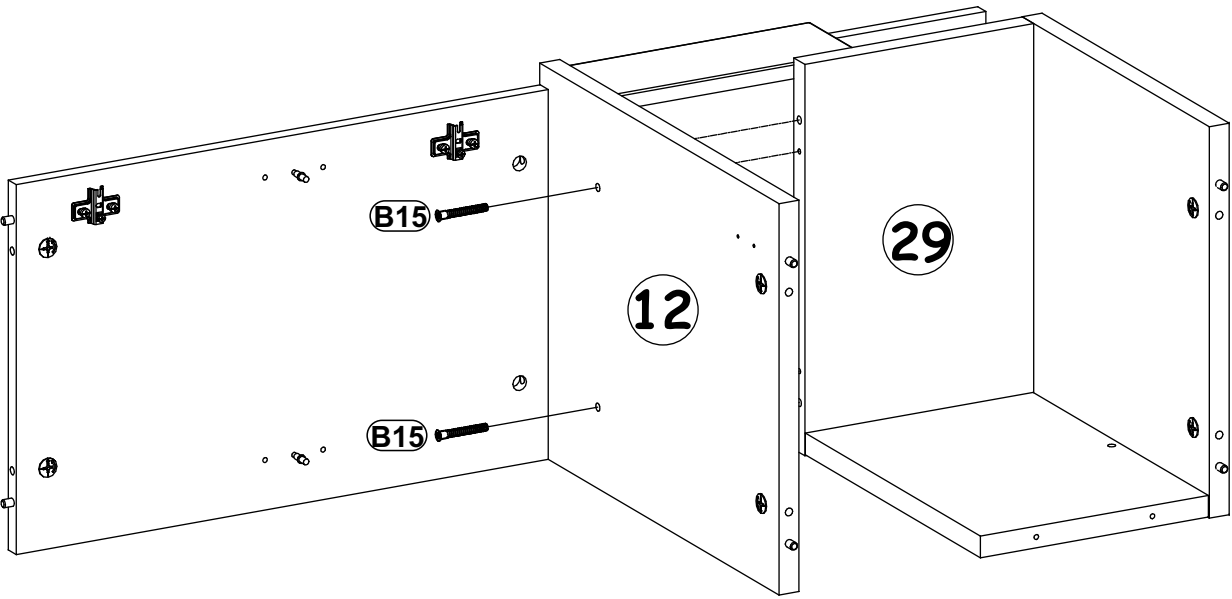
18

B6		G5	
x2	Ø7x76	x4	

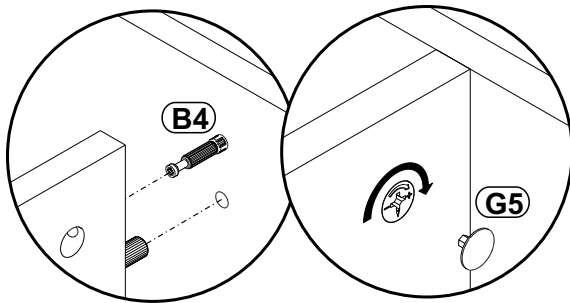



B11		B15		G4	
	Ø7x50	x2	Ø7x60	x2	

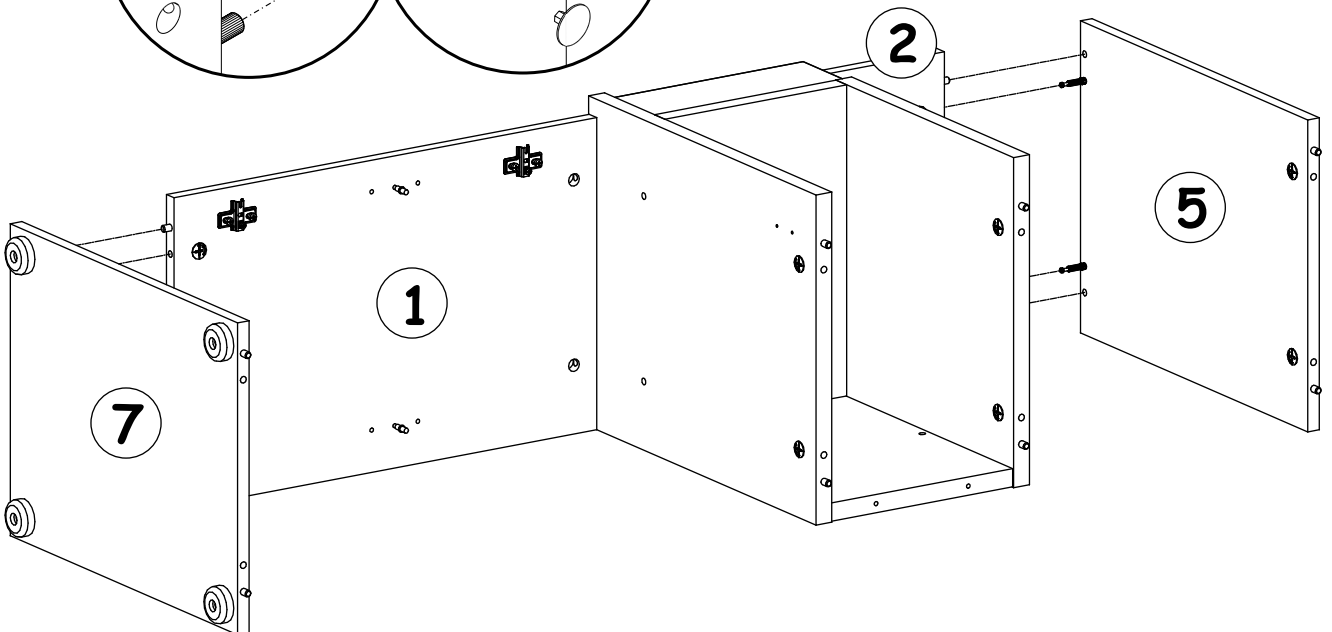
19





20

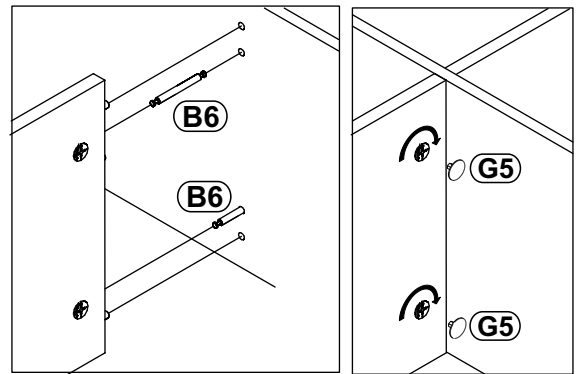
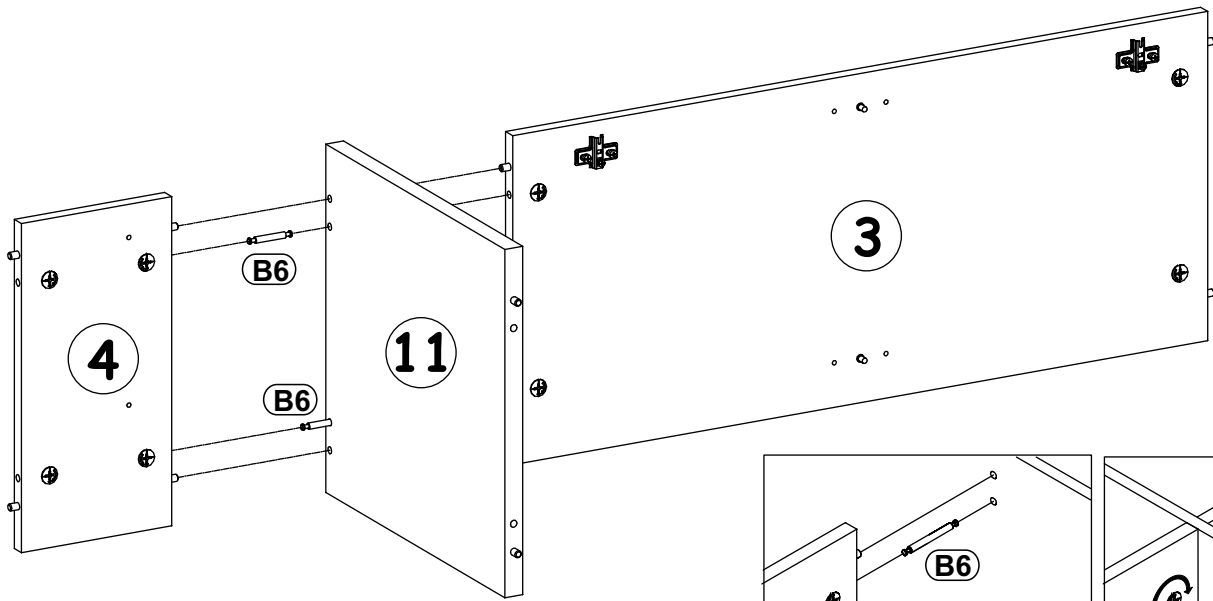


G5	
x4	




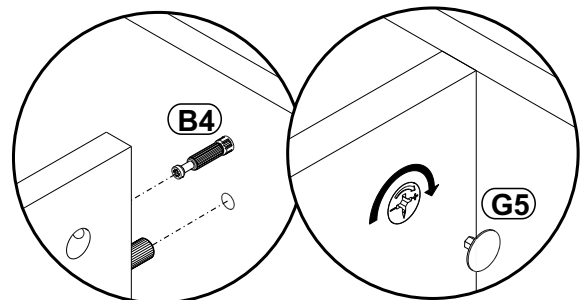
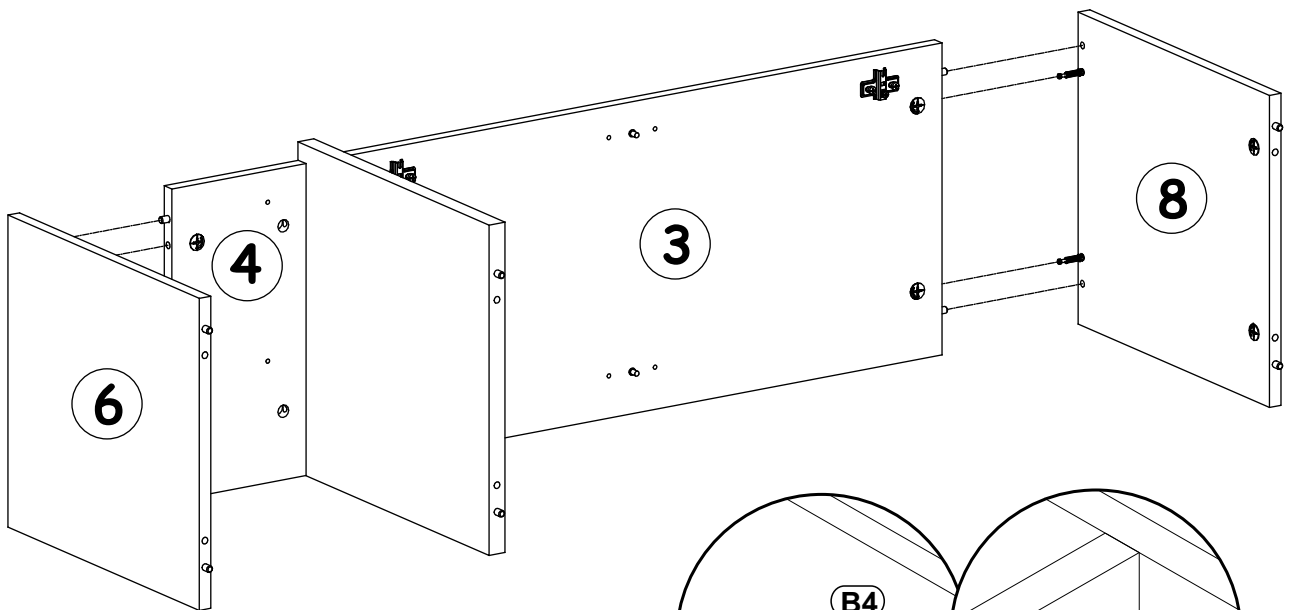
21

B6		G5	
x2		Ø7x76	

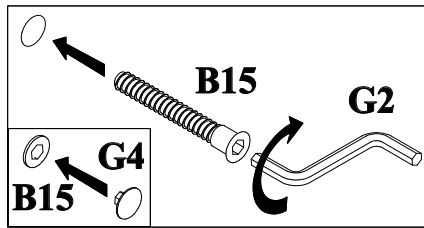
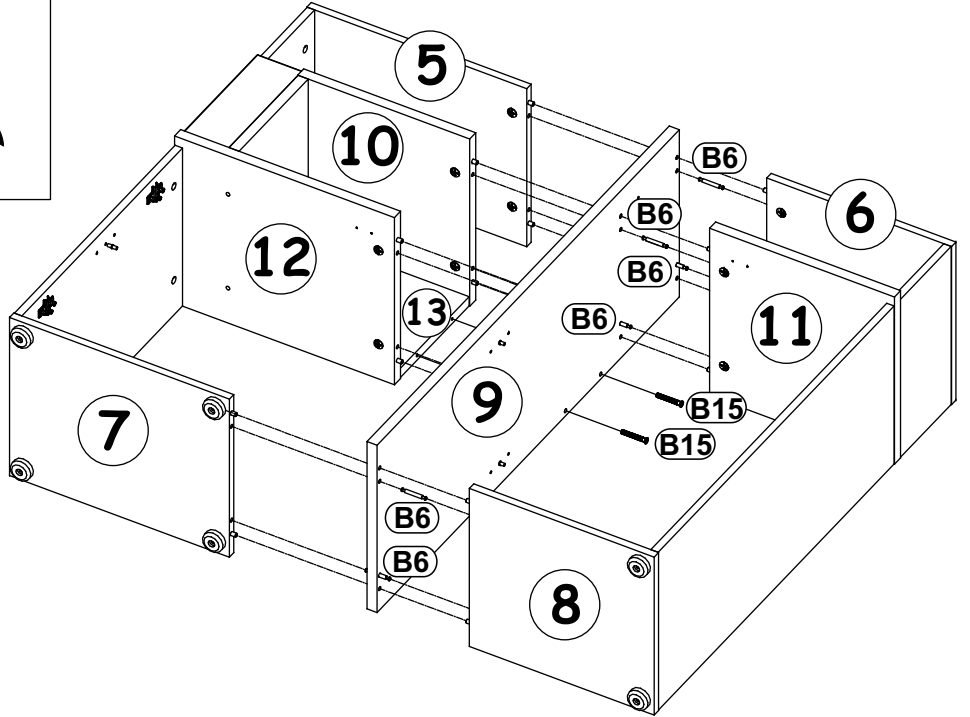
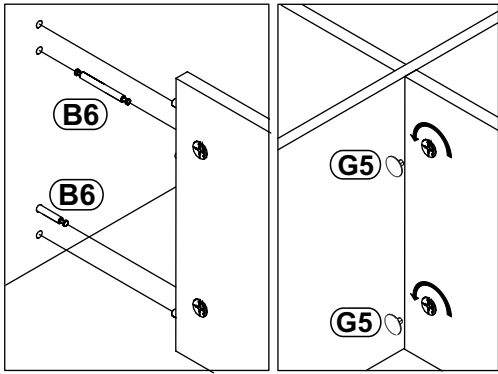
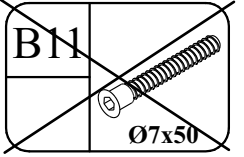
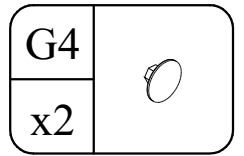
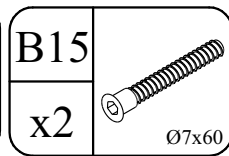
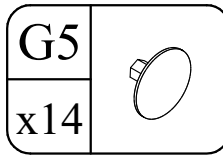
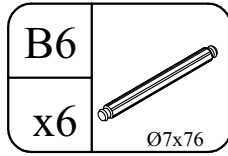


22

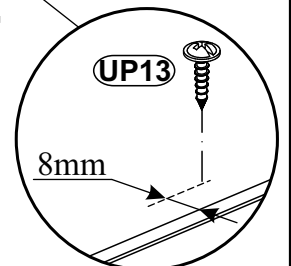
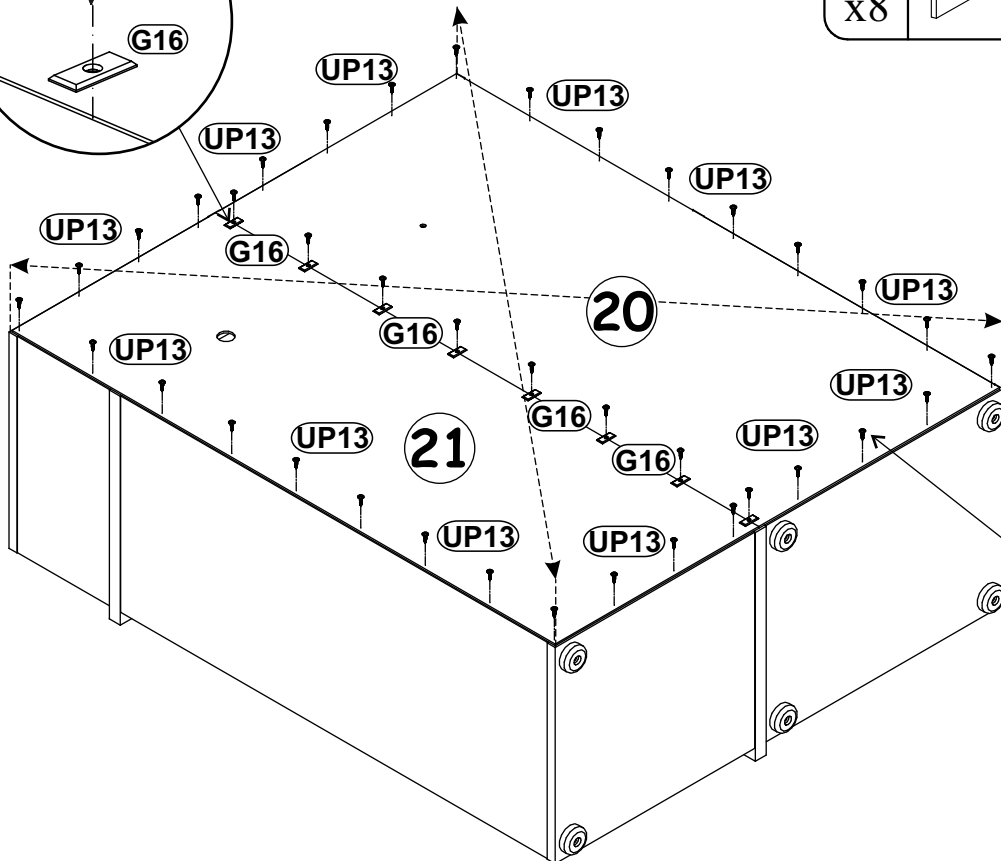
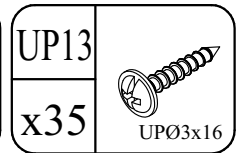
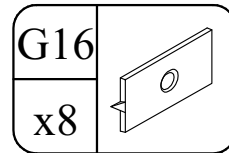
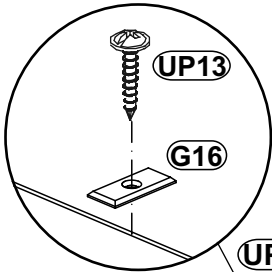
G5	
x4	

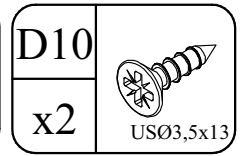
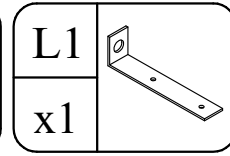
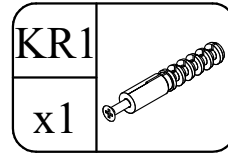


23

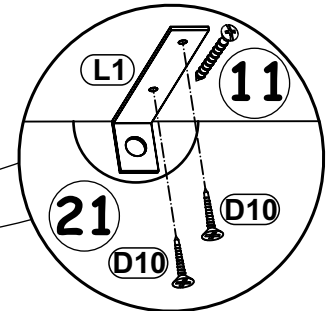
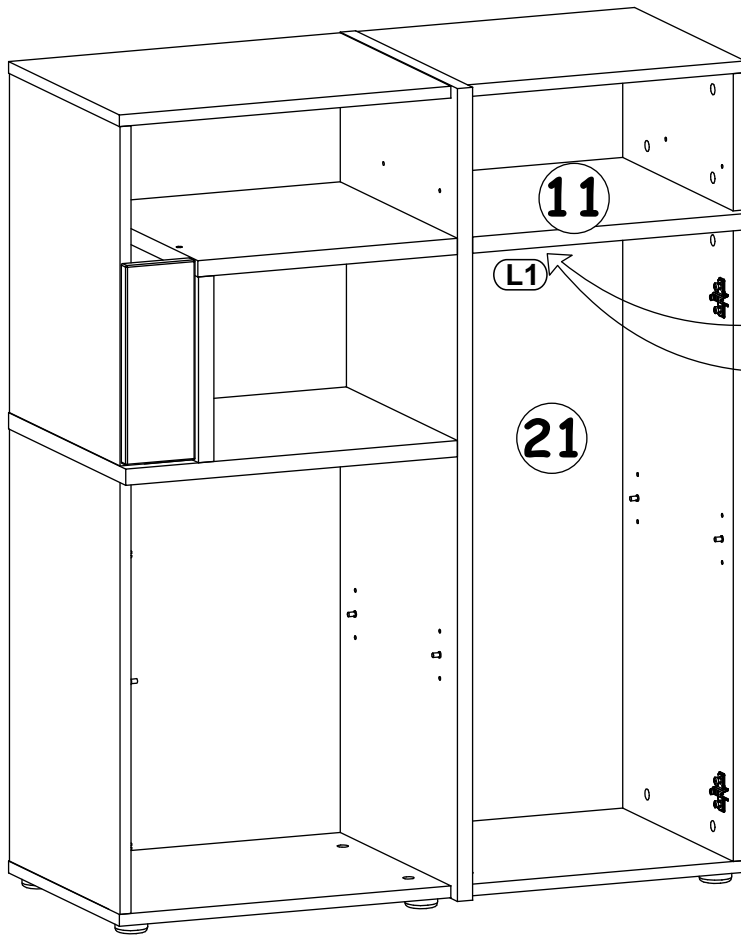
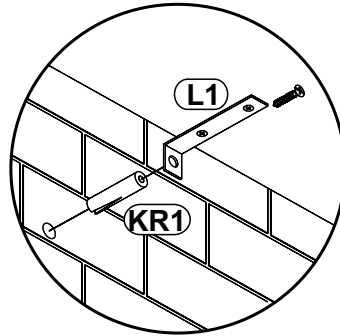
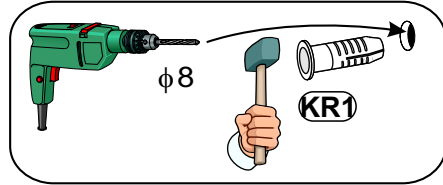
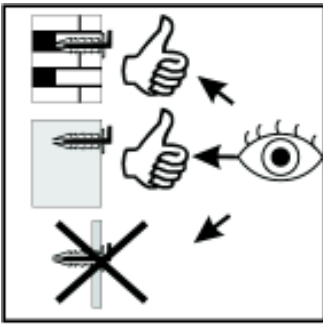


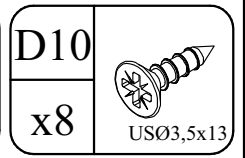
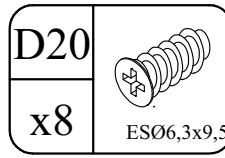
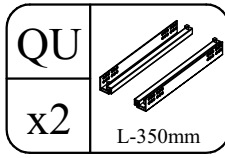
24



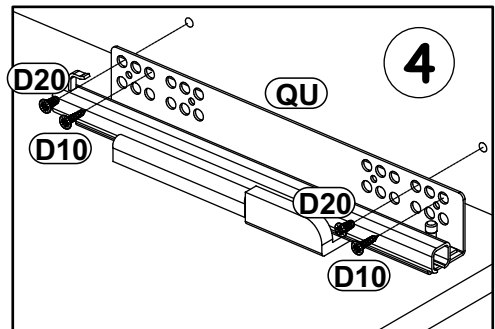
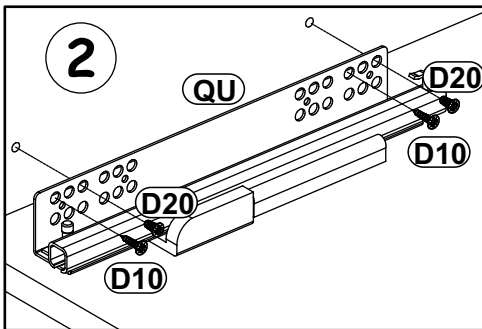
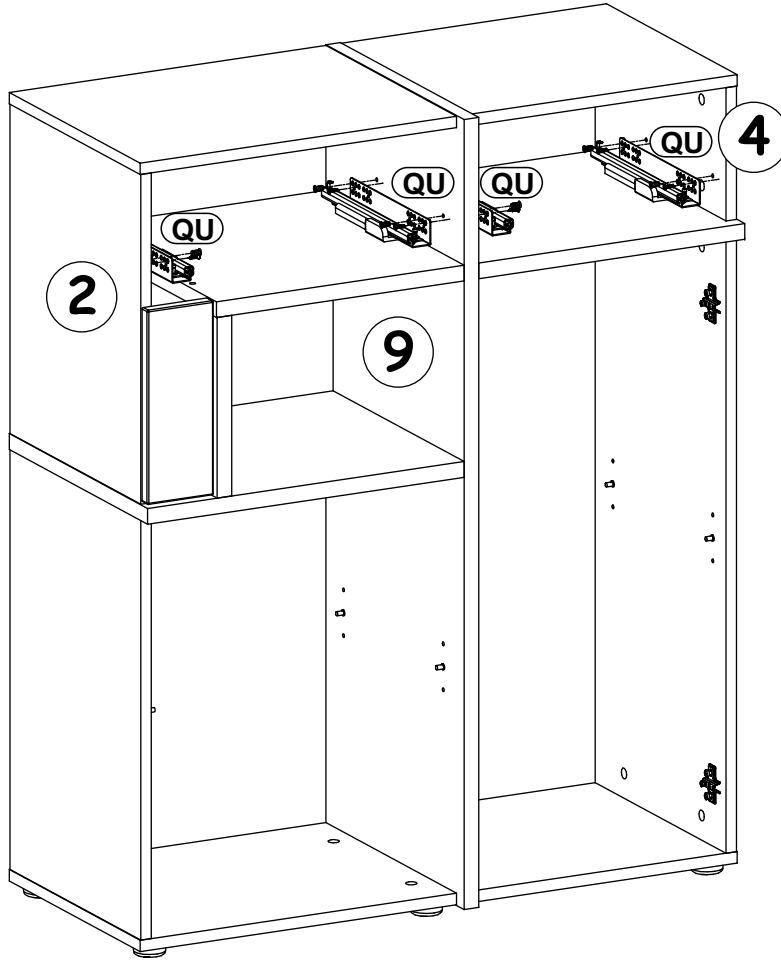


25

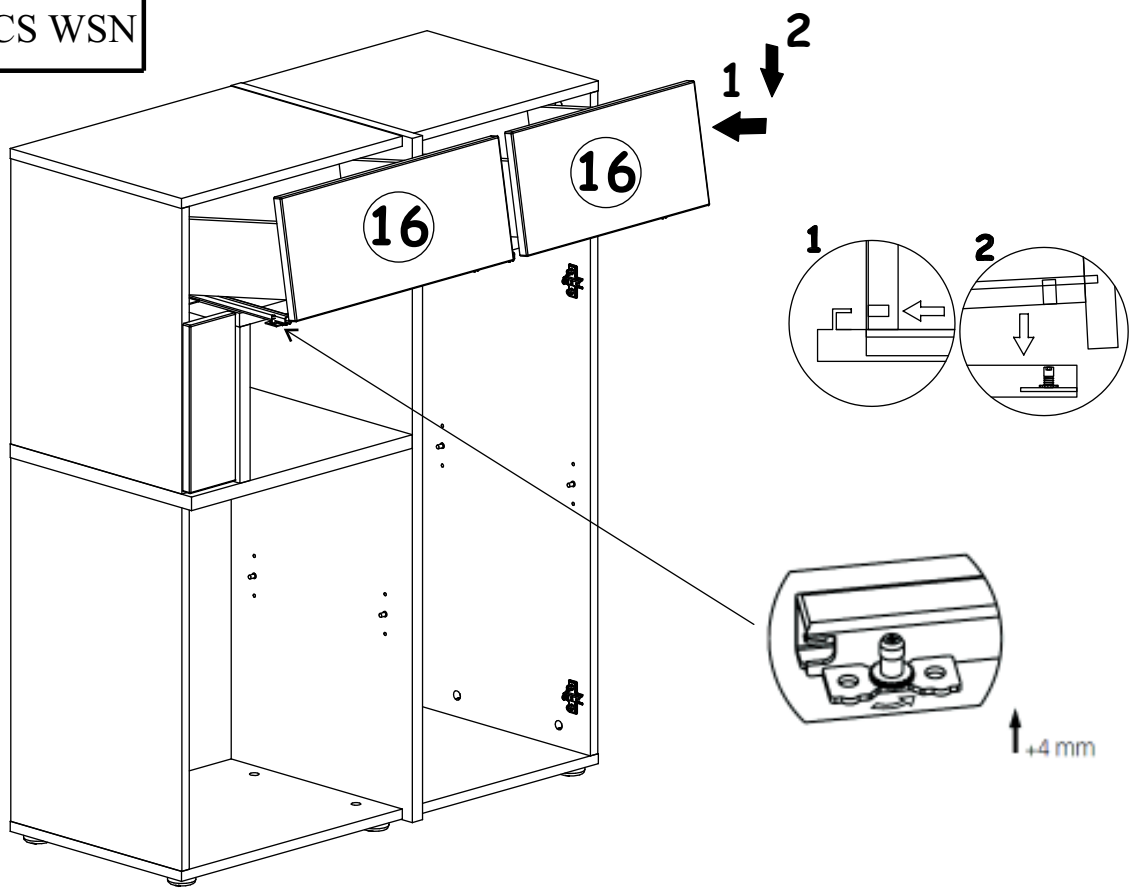




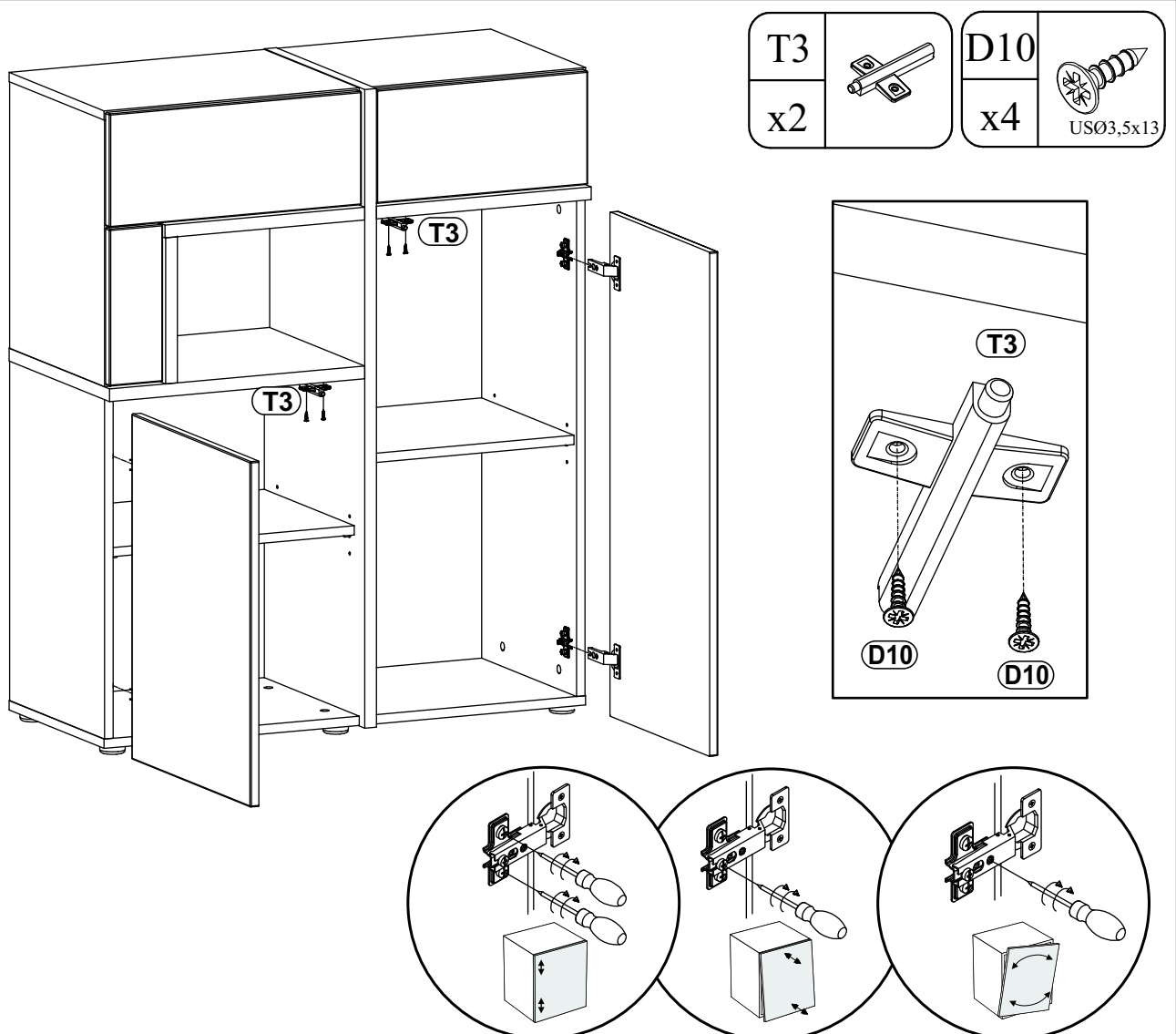
26



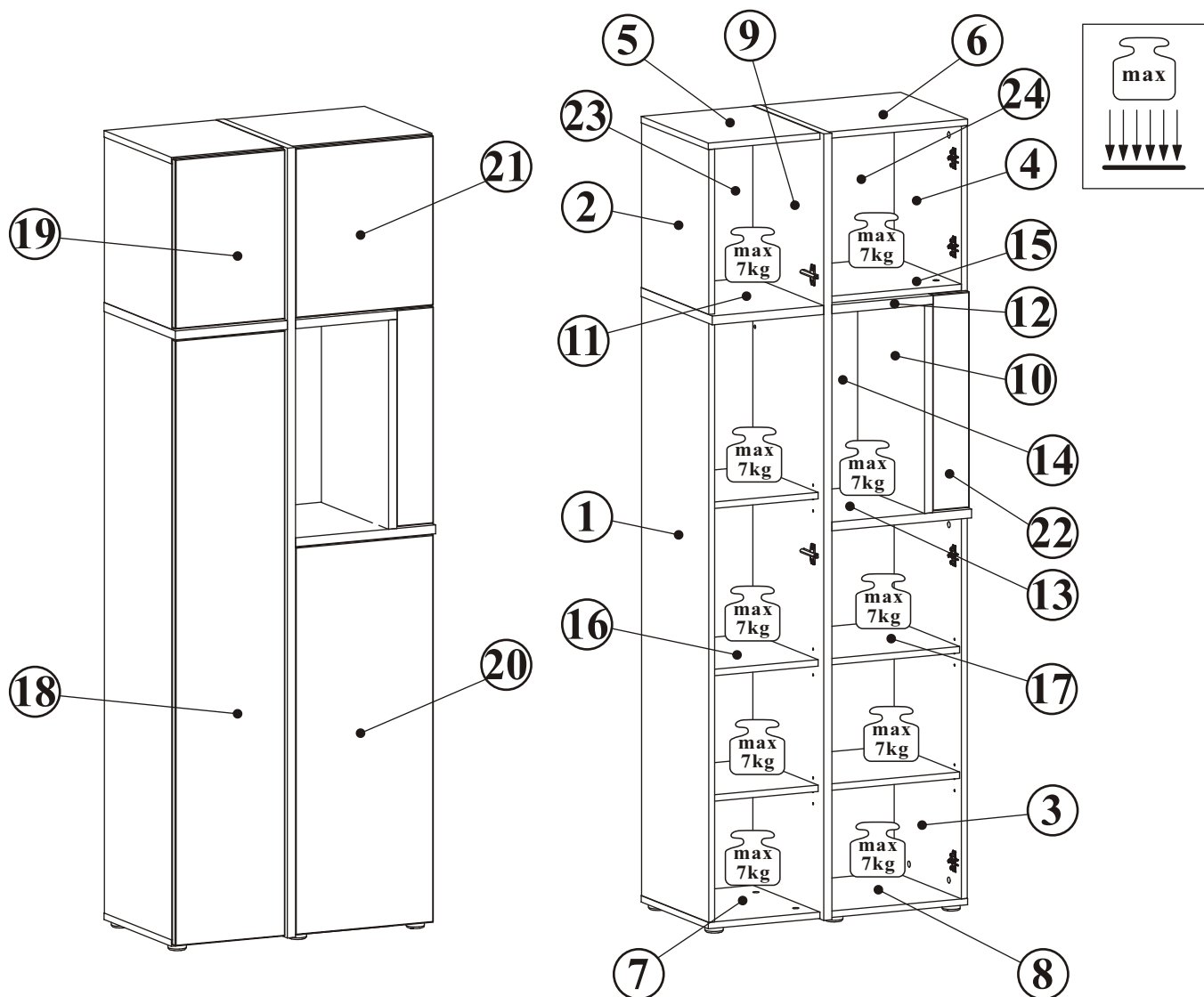
27



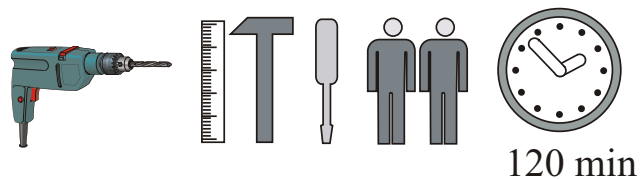
28



CROSS 28PEWCS WSW

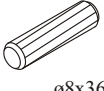
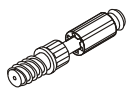




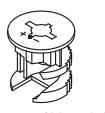
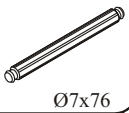
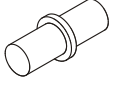
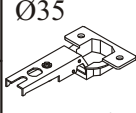
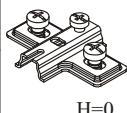
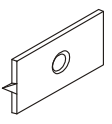
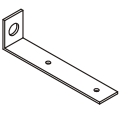
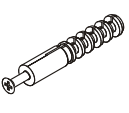
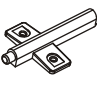
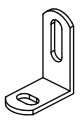
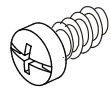



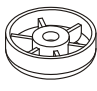



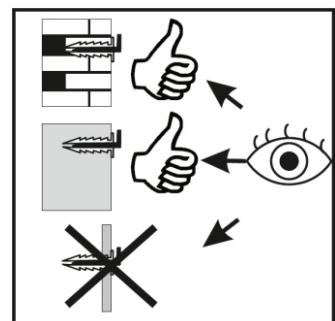
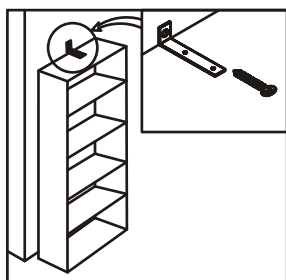
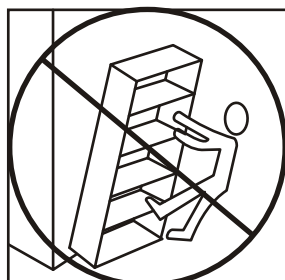
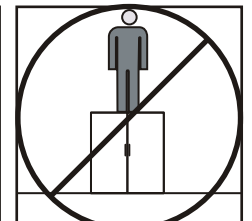
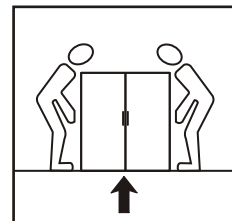
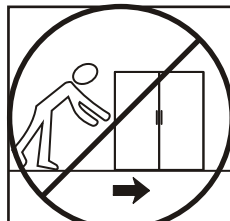
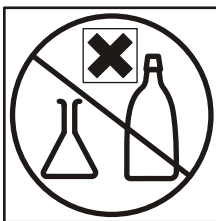
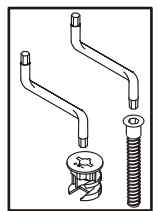
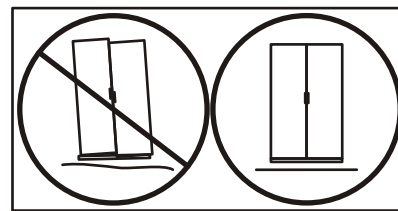
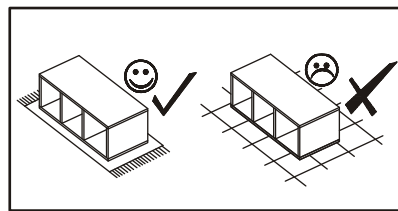
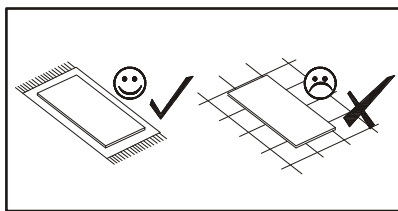
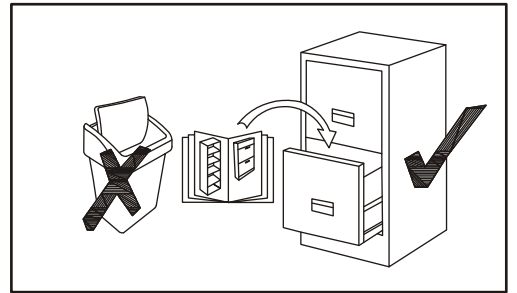
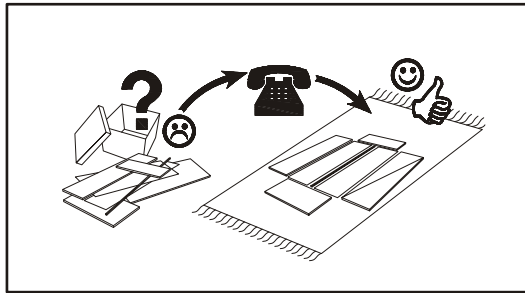
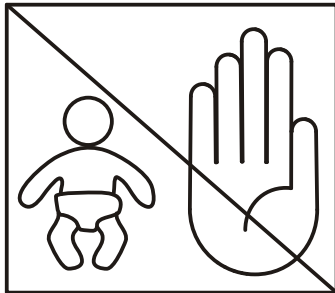
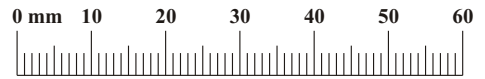
NO	Dim.			Qty	Qty
1	1490	377	16	3	1
2	410	377	16	3	1
3	950	377	16	3	1
4	950	377	16	3	1
5	302	377	16	1	1
6	378	377	16	1	1
7	302	377	16	1	1
8	378	377	16	1	1
15	361	377	16	1	1
16	285	367	16	1	3
17	361	367	16	1	2
9	1956	399	22	3	1
10	518	399	22	1	1
11	302	399	22	1	1
12	274	399	22	1	1
13	378	399	22	1	1
14	250	517	22	1	1
18	1500	296	16	2	1
19	420	296	16	2	1
20	960	372	16	2	1
21	420	372	16	2	1
22	537	100	16	2	1
23	1948	309	3	2	1
24	1948	385	3	2	1



120 min

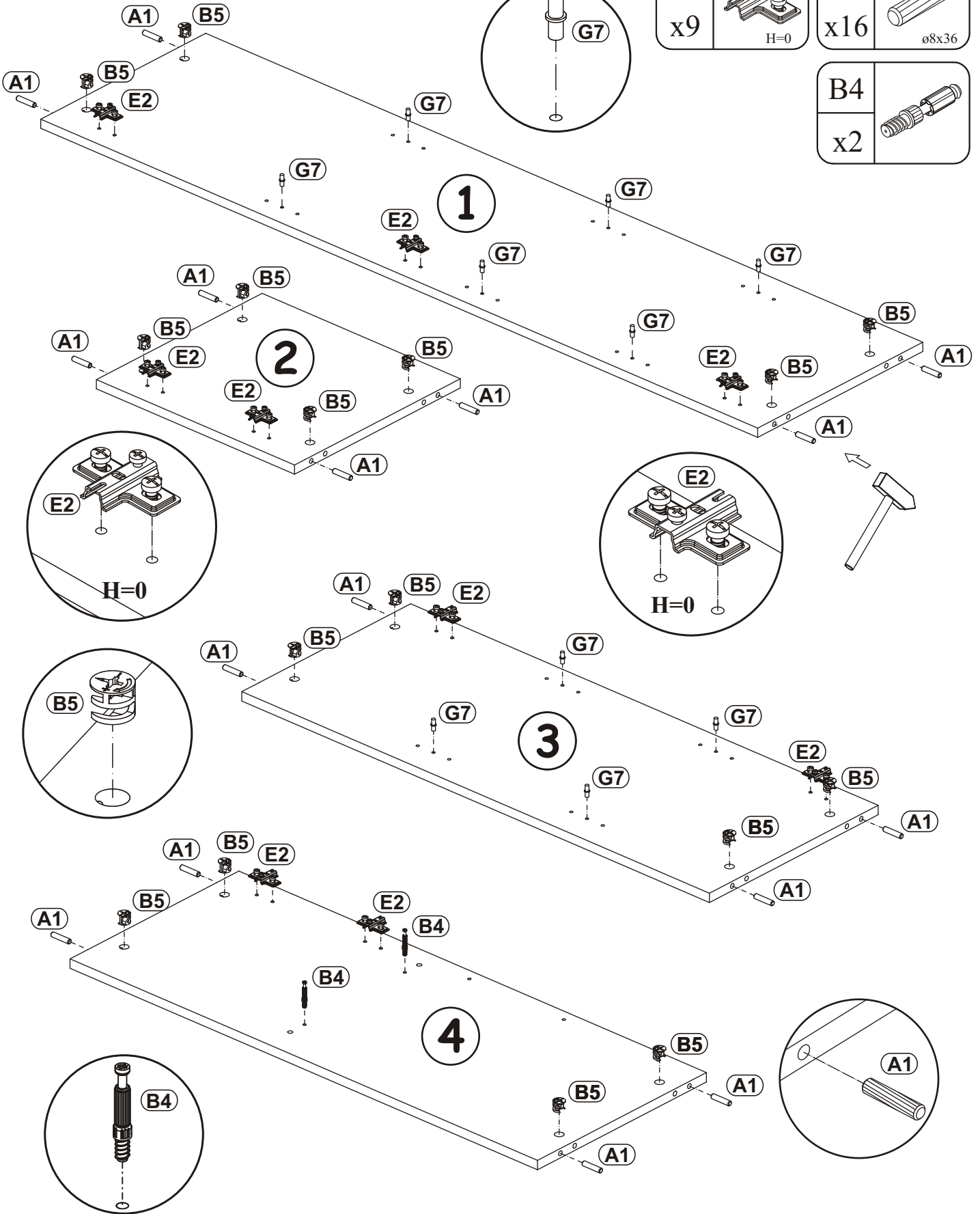
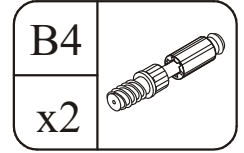
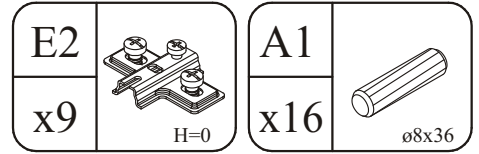
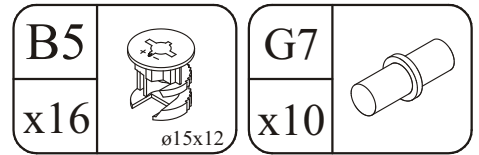
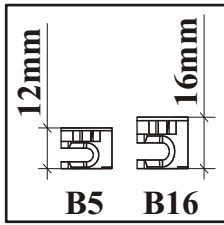
CROSS 28PEWCS WSW

A1 x38  ø8x36	B4 x14 	B5 x28  ø15x12	G5 x34 	B15 x8  Ø7x60	G4 x8 
B16 x6  Ø15x16	B6 x10  Ø7x76	G7 x22 	E21 x9  Ø35 H=0	E2 x9  H=0	G16 x13 
L1 x2 	KR1 x2 	T3 x4 	L6 x3 	D31 x6  EKØ6,3x13	UP13 x54  UPØ3x16
D10 x30  USØ3,5x13	UP15 x6  UPØ4x25	I11 x6  Ø45, h=15	G2 x1 		



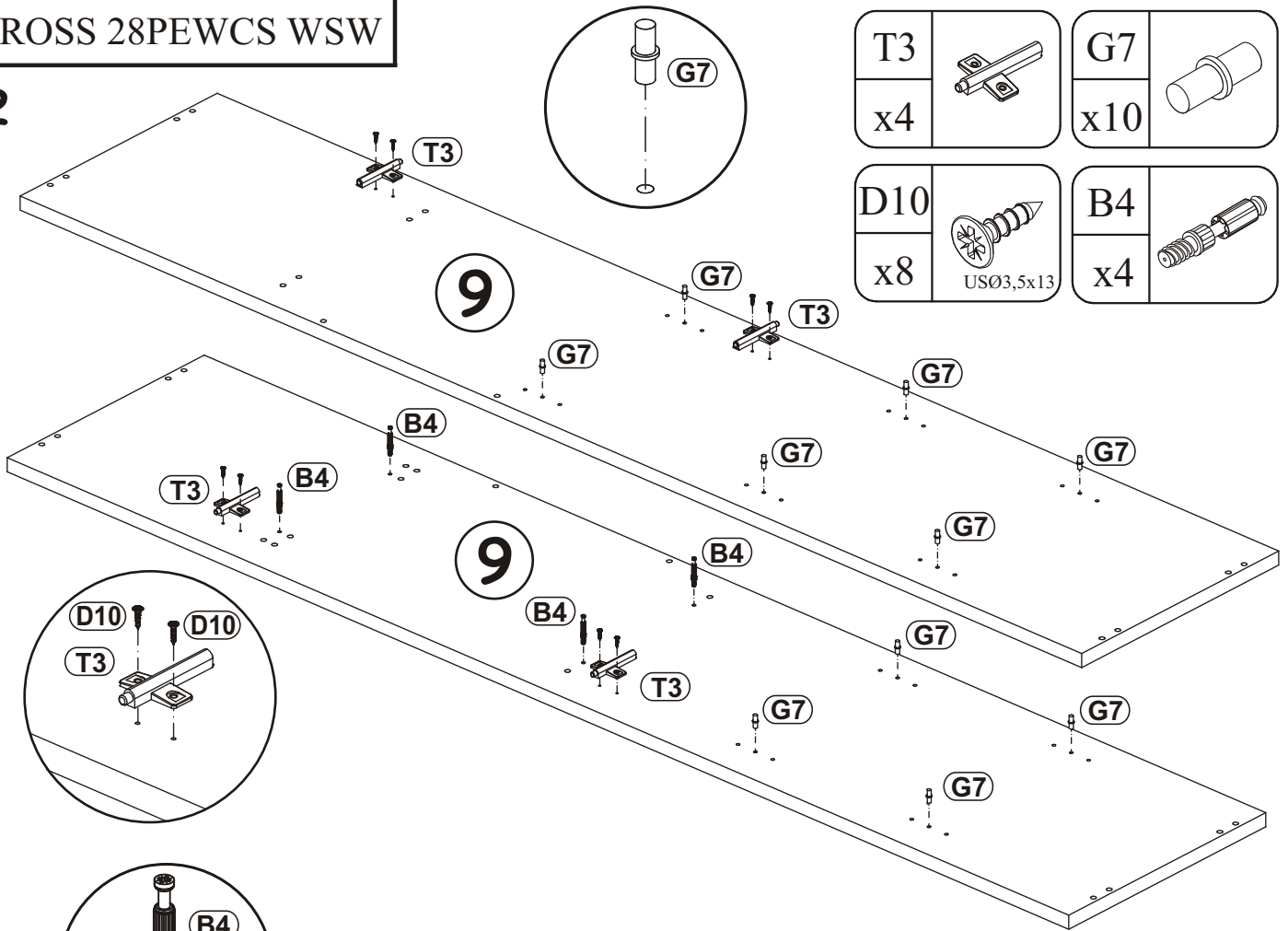
CROSS 28PEWCS WSW

1



CROSS 28PEWCS WSW

2



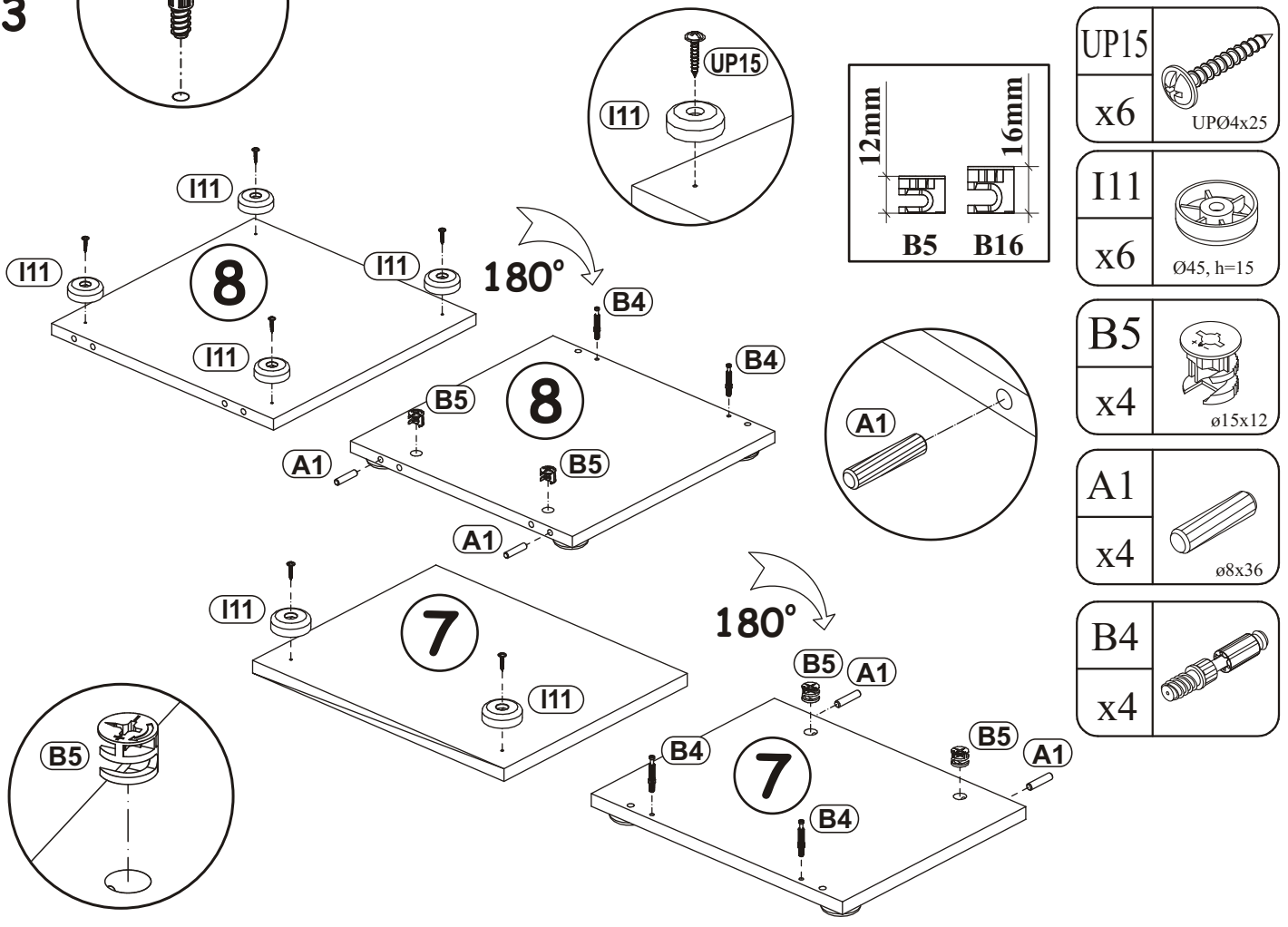
T3	
x4	

G7	
x10	

D10	
x8	USØ3,5x13

B4	
x4	

3



UP15	
x6	UPØ4x25

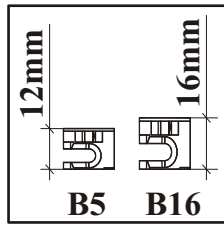
I11	
x6	Ø45, h=15

B5	
x4	Ø15x12

A1	
x4	Ø8x36

B4	
x4	

4

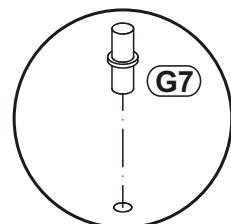
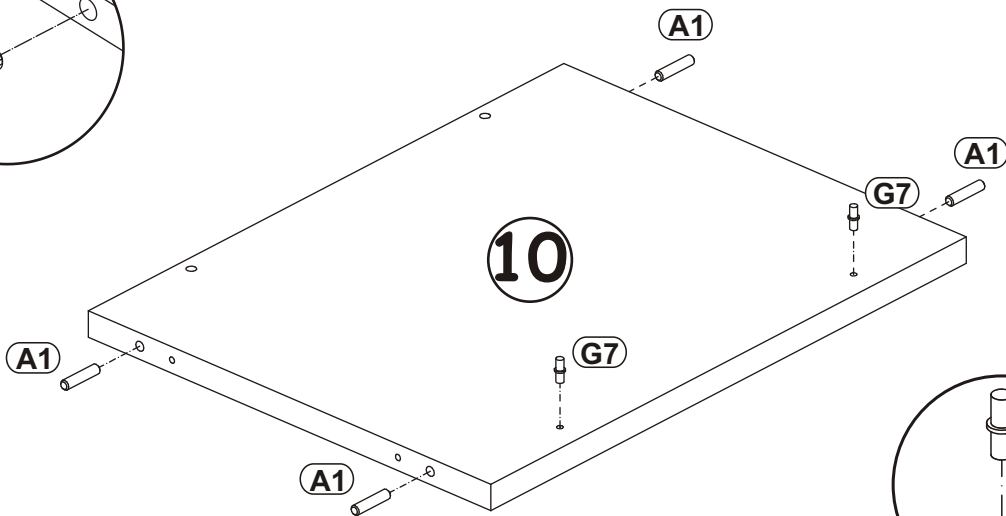
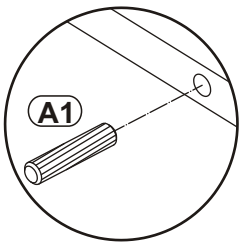
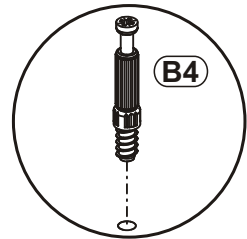
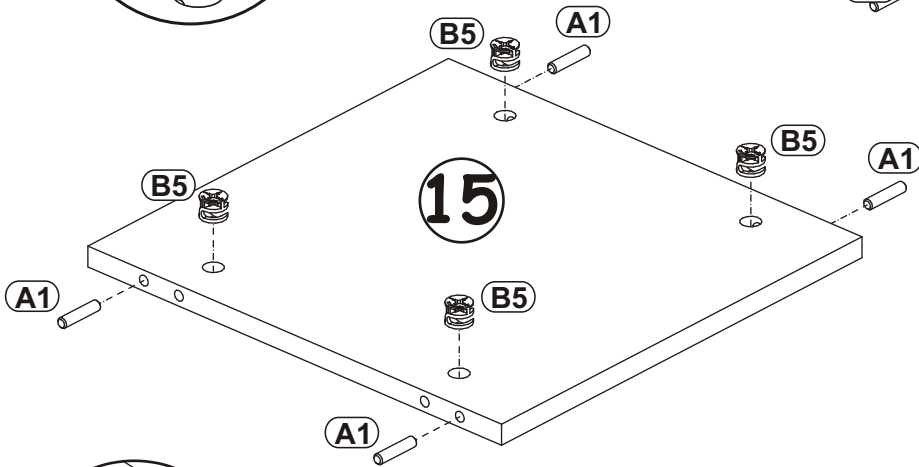
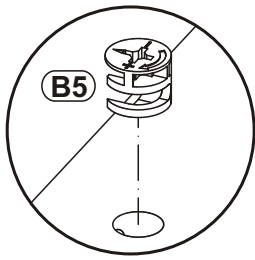
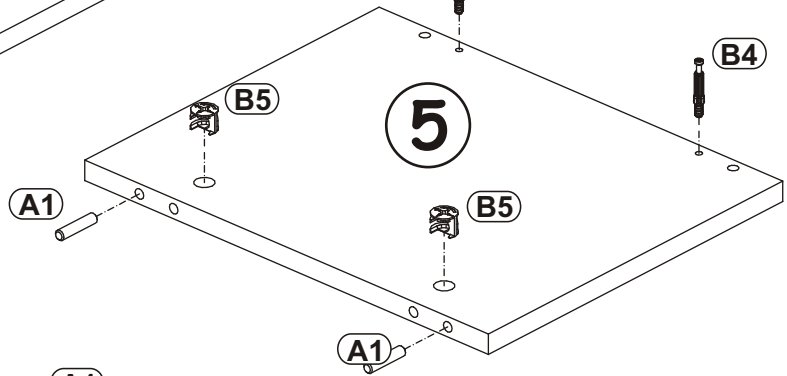
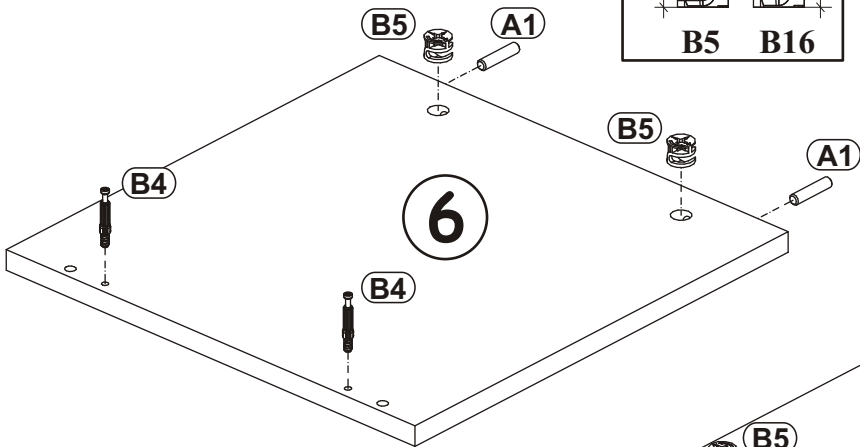


G7	
x2	

B5	
x8	$\varnothing 15 \times 12$

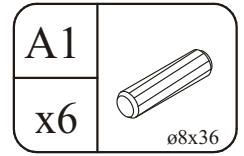
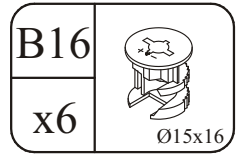
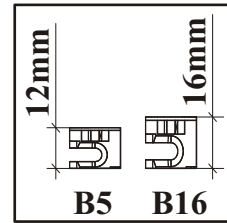
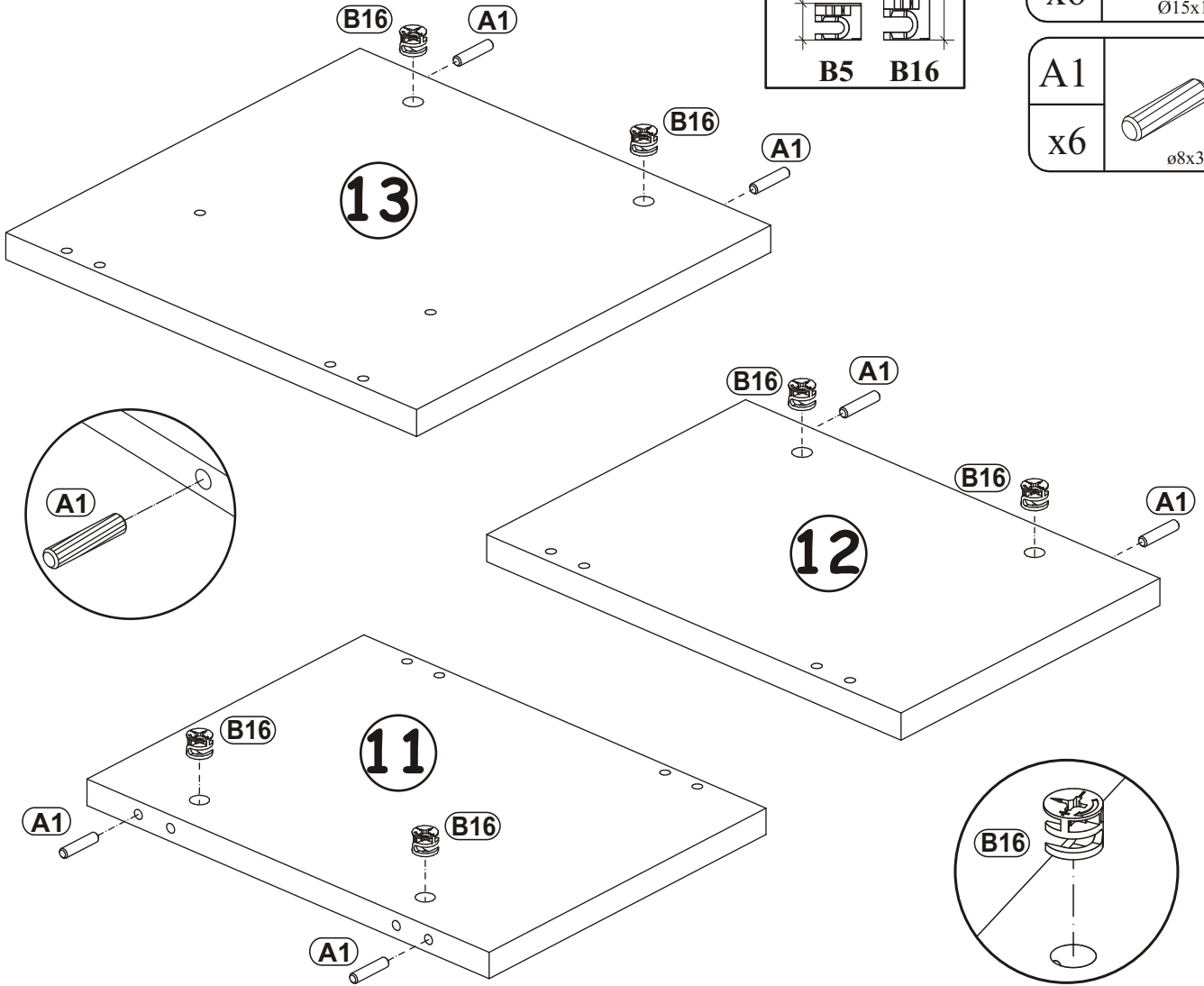
A1	
x12	$\varnothing 8 \times 36$

B4	
x4	

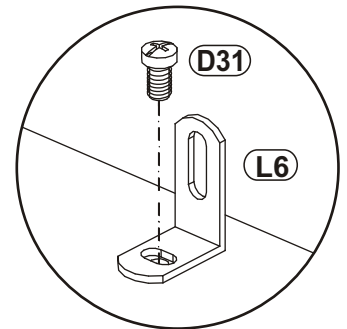
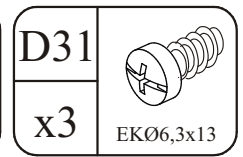
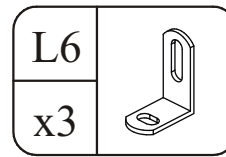
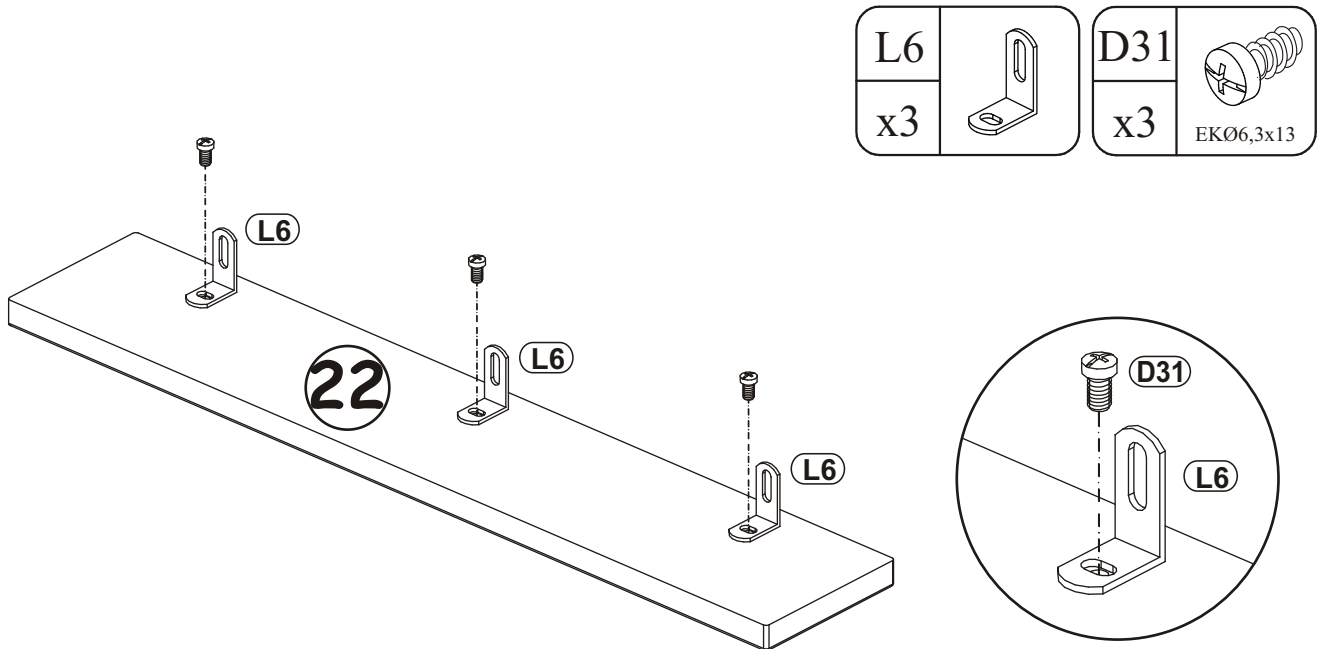


CROSS 28PEWCS WSW

5

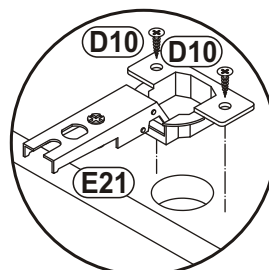
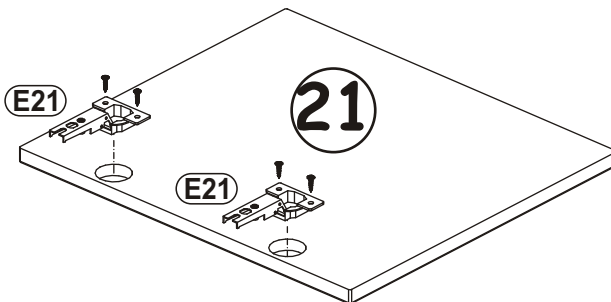
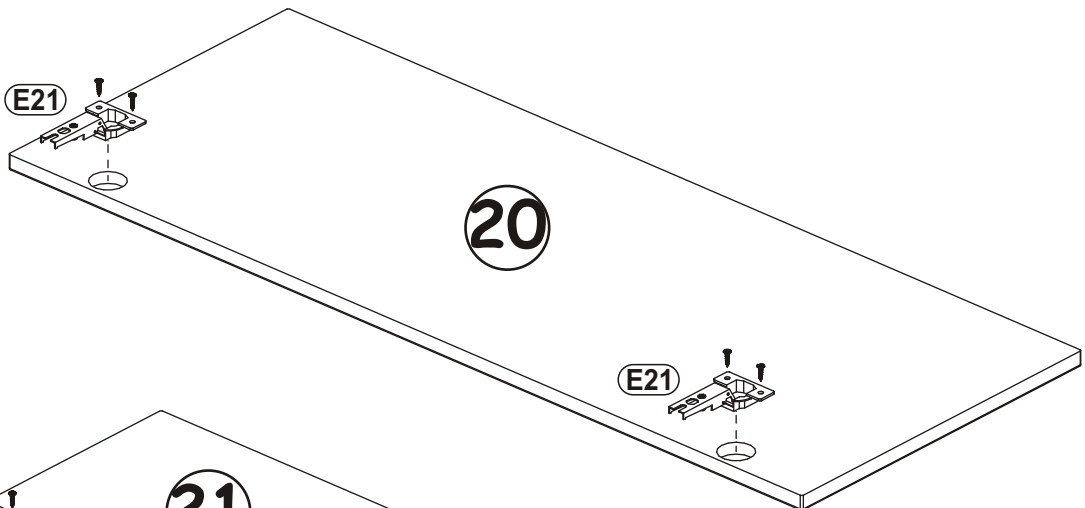
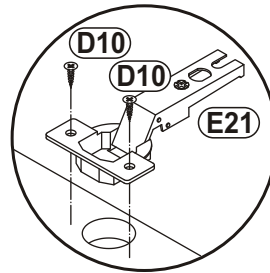
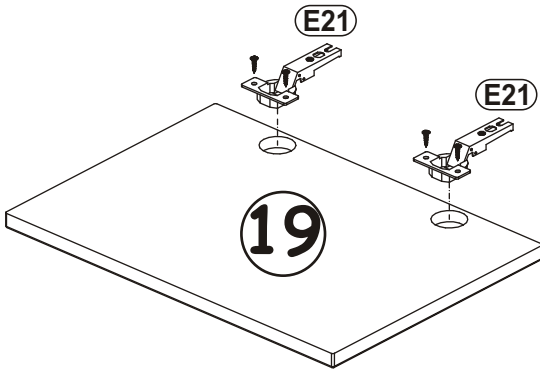
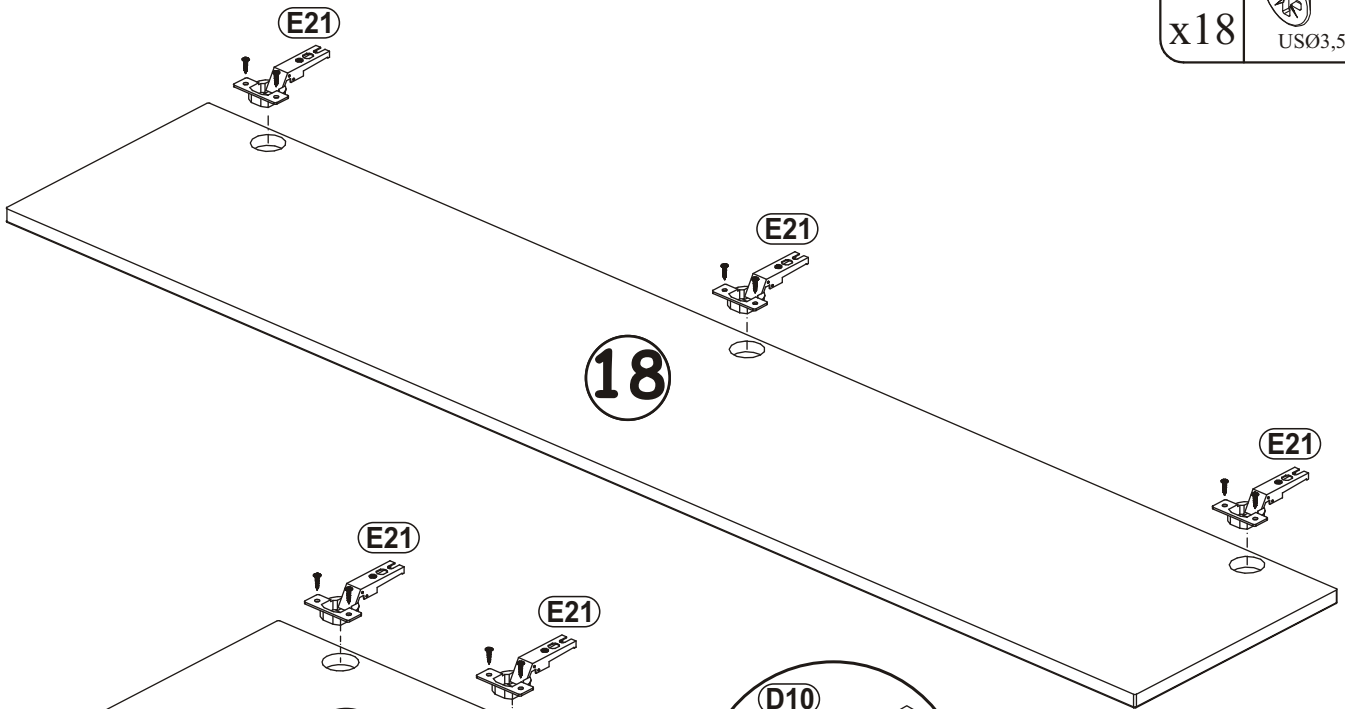
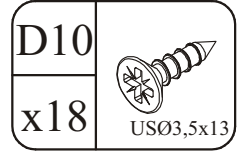
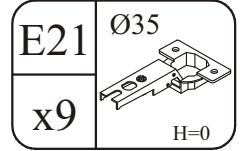
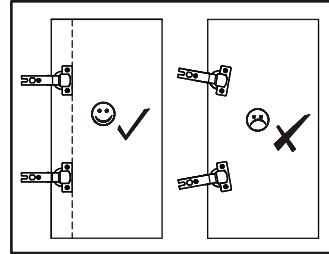
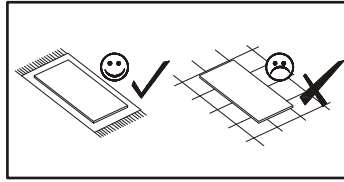


6

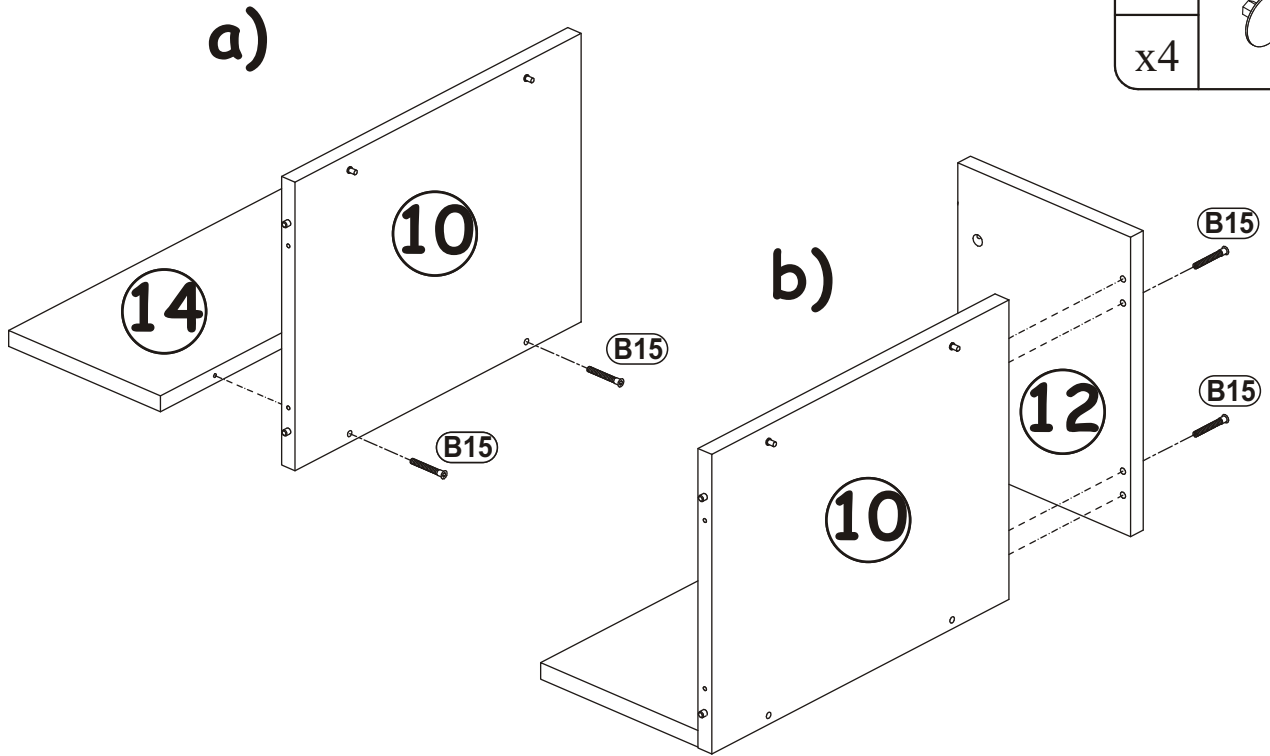
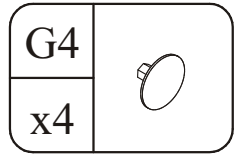
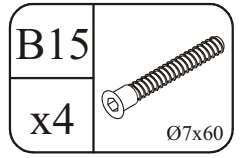
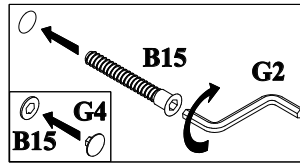


CROSS 28PEWCS WSW

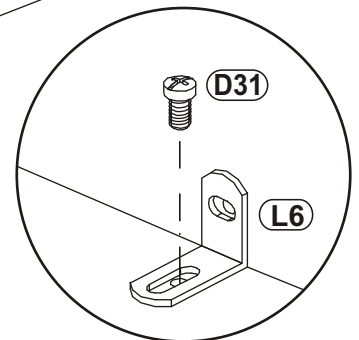
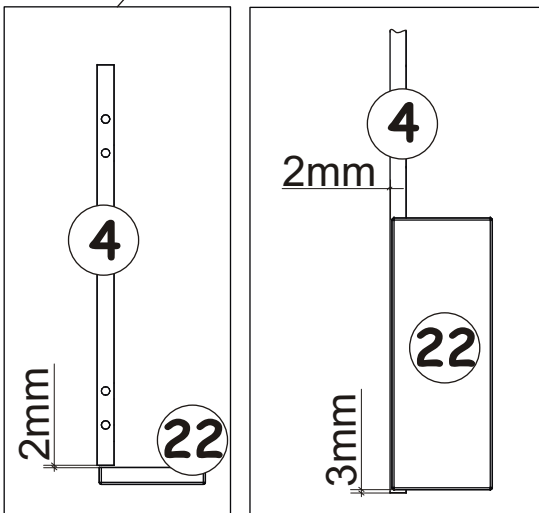
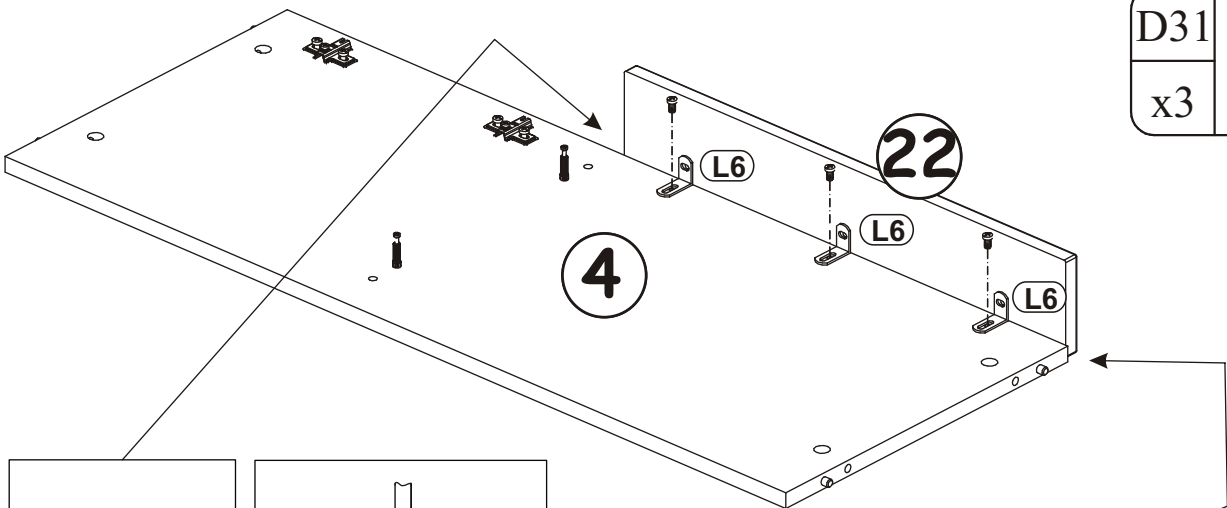
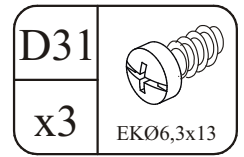
7





8



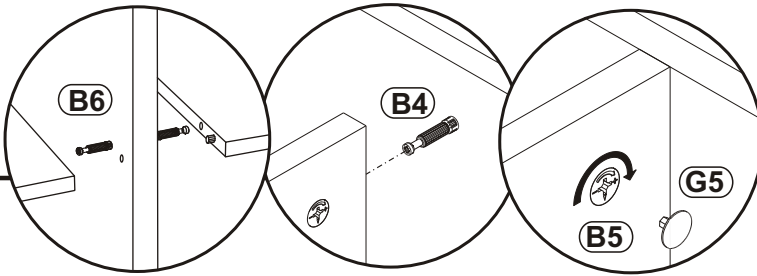
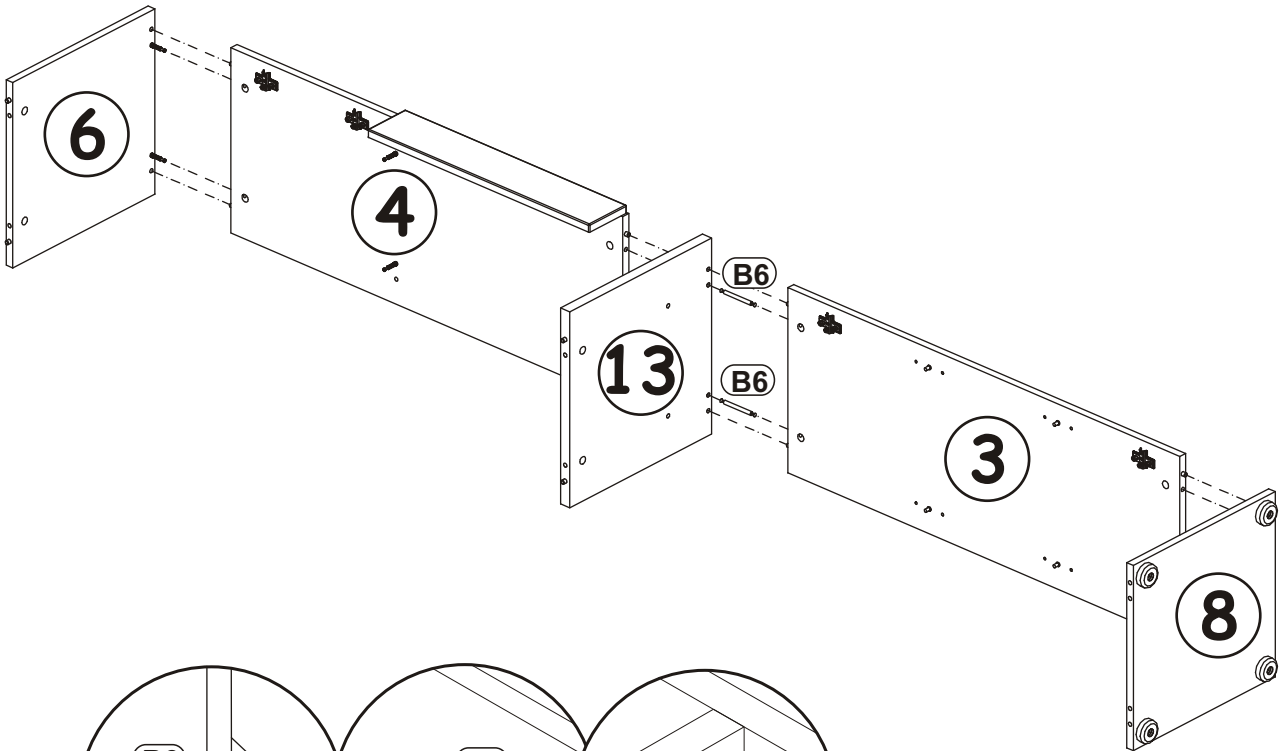
9




G5	
x8	


B6	
x2	Ø7x76

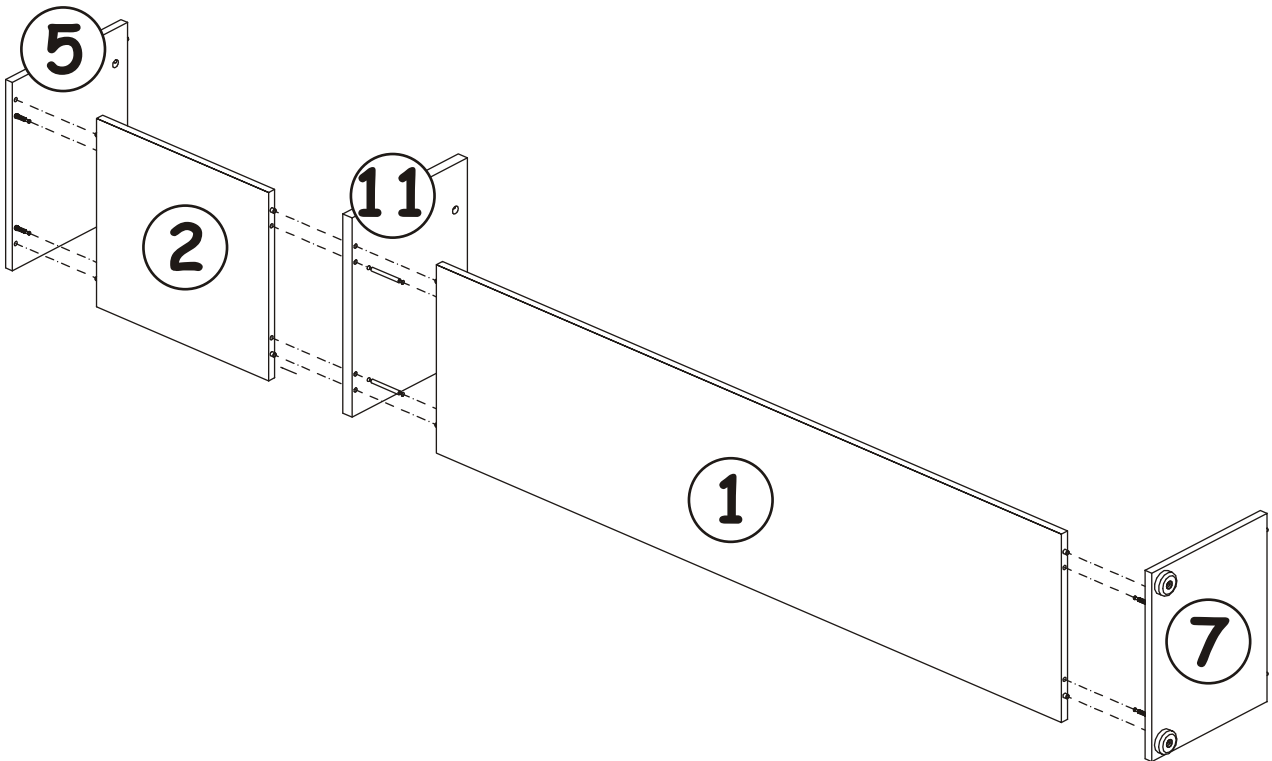
10



11

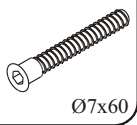
G5	
x8	


B6	
x2	Ø7x76

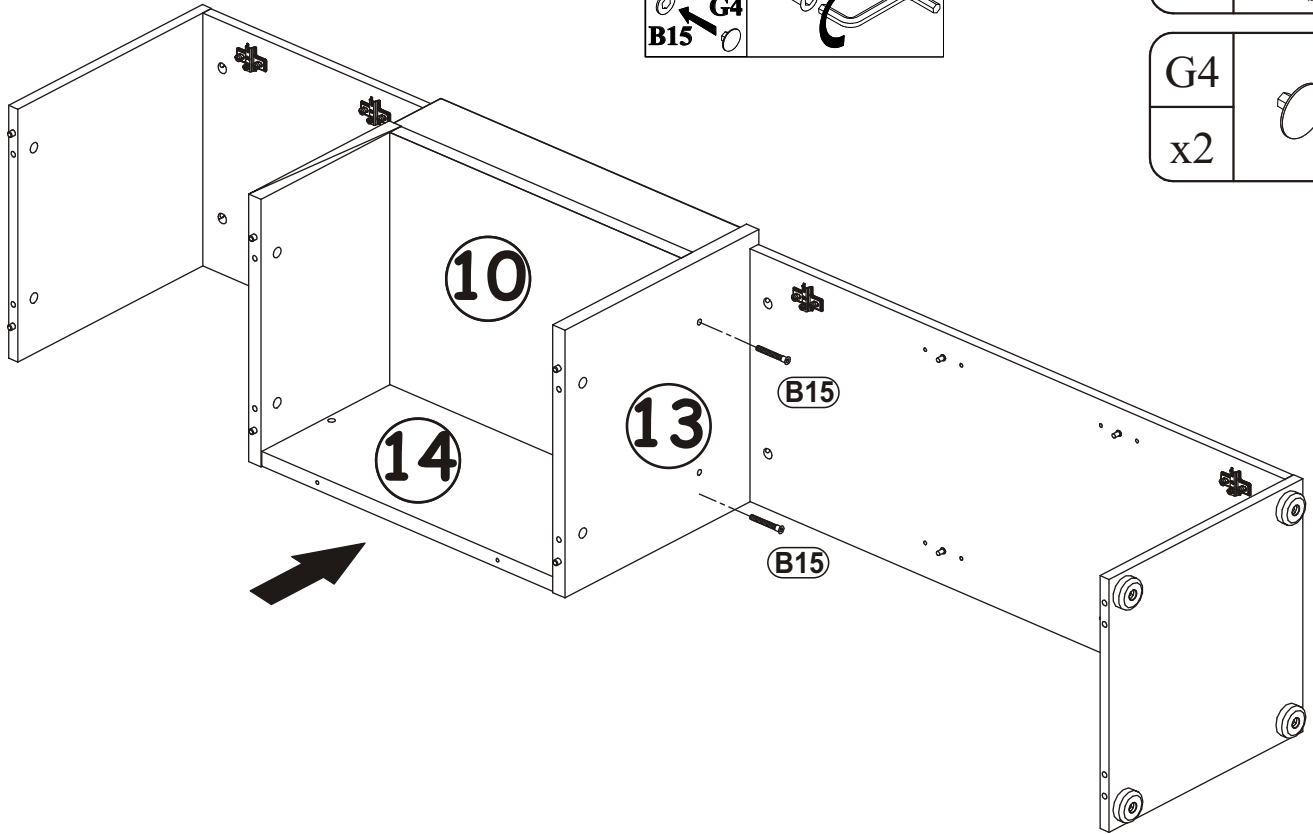
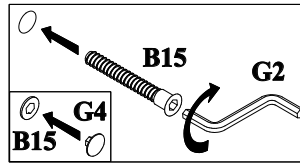


CROSS 28PEWCS WSW


12

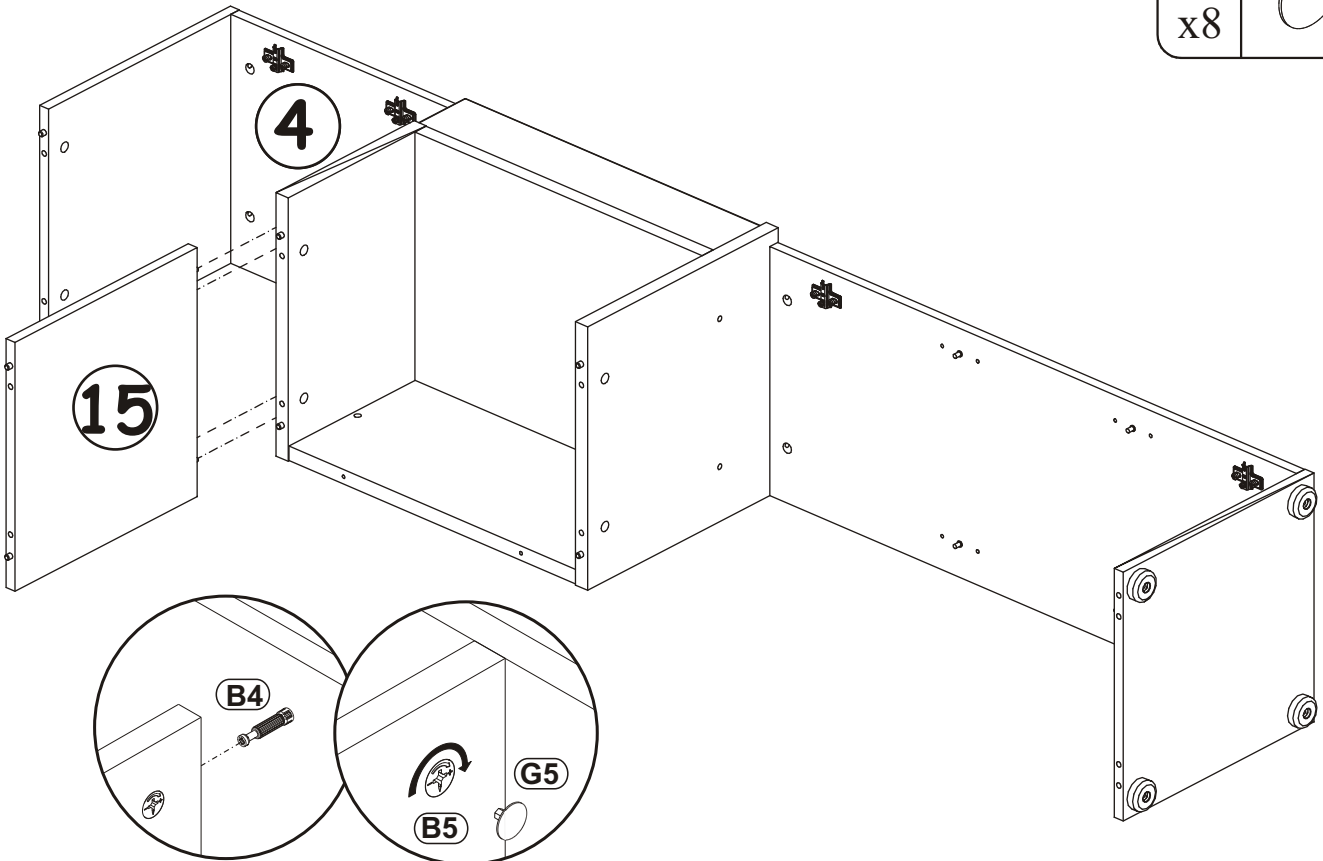
B15	
x2	Ø7x60

G4	
x2	



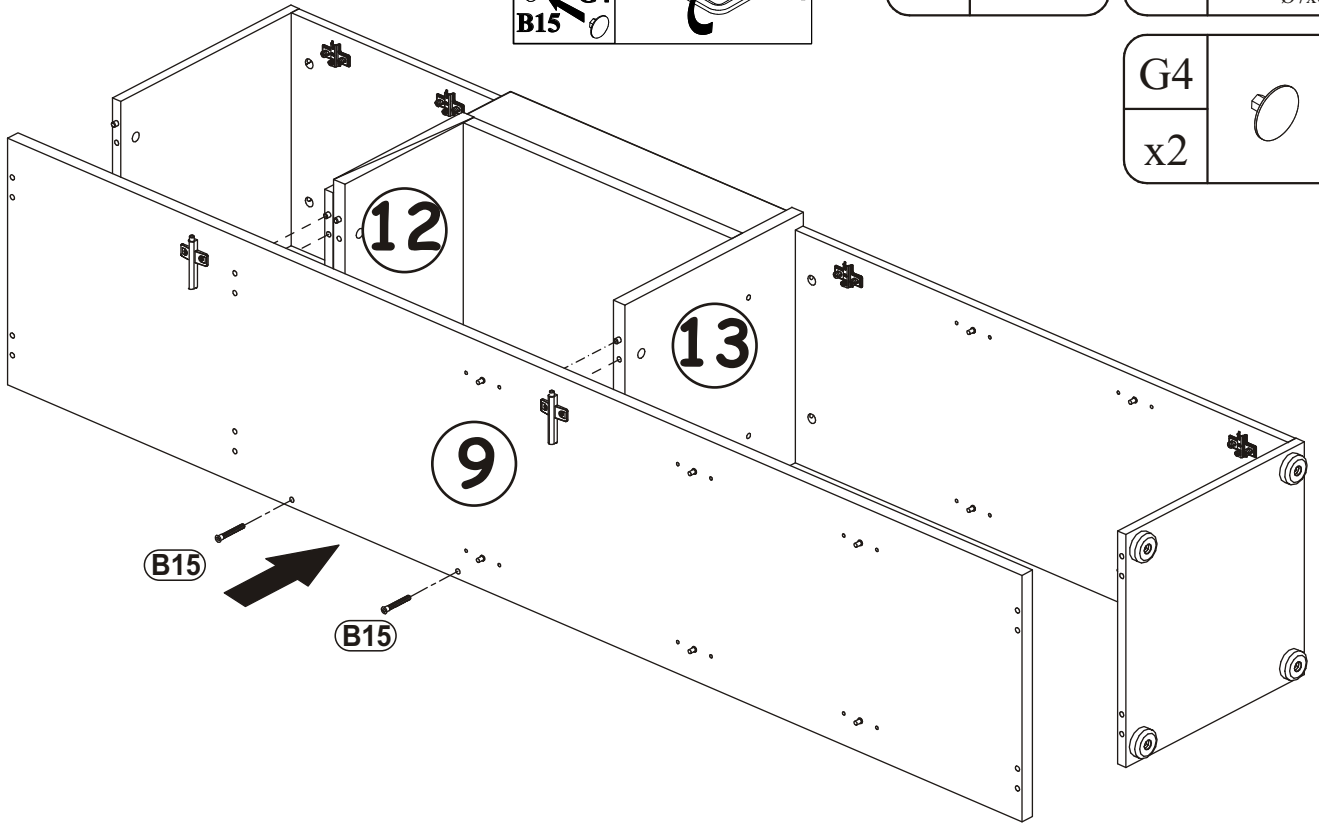
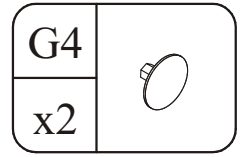
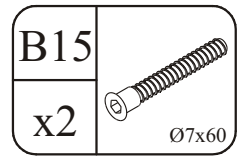
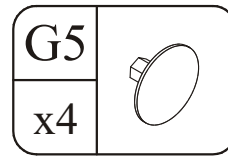
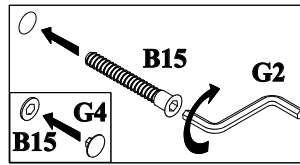
13

G5	
x8	

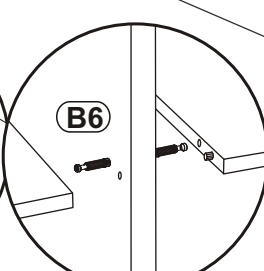
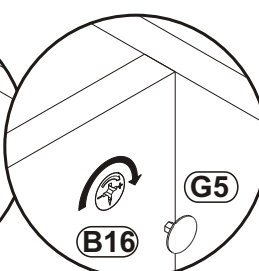
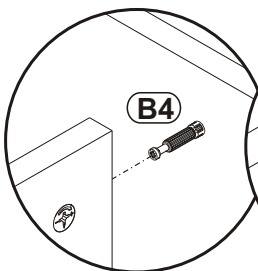
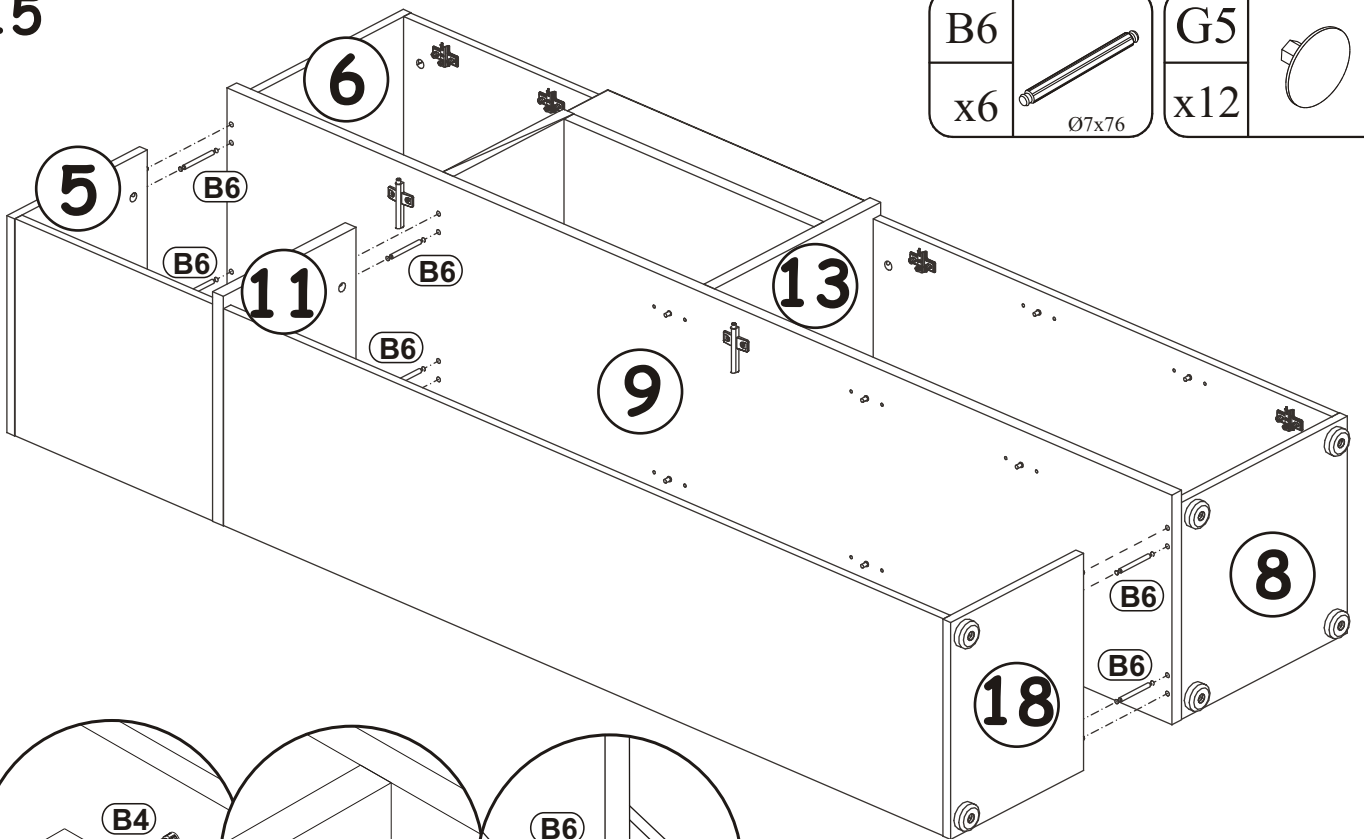
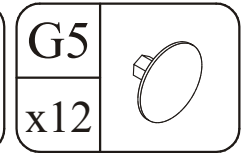
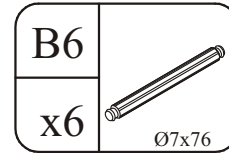


CROSS 28PEWCS WSW

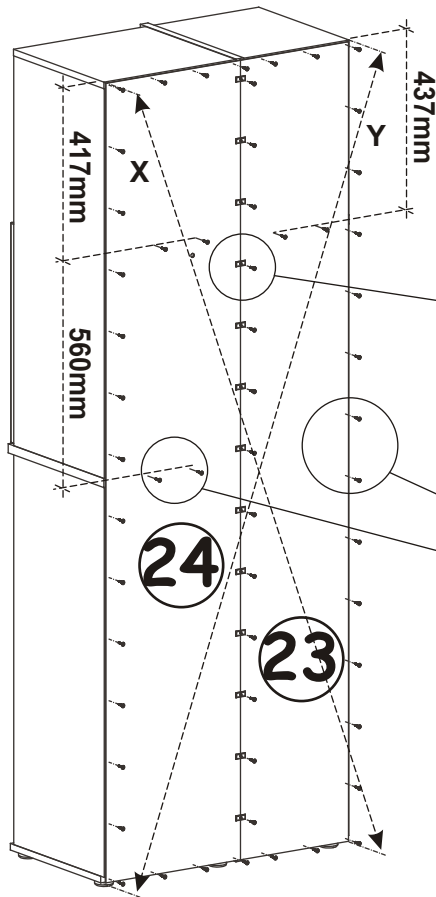
14



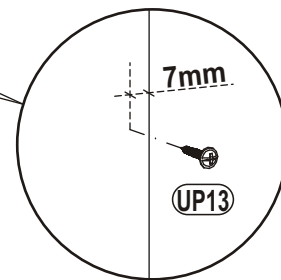
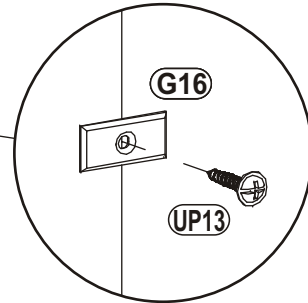
15



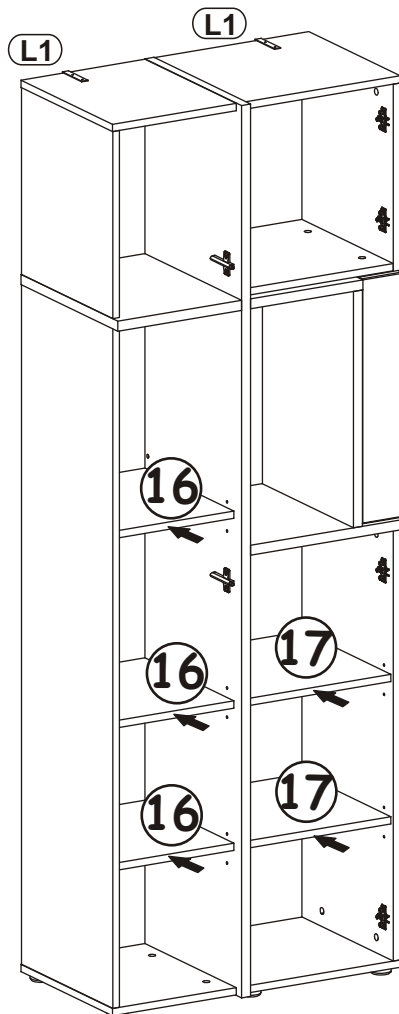
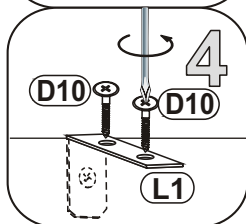
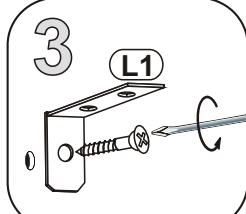
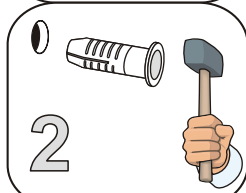
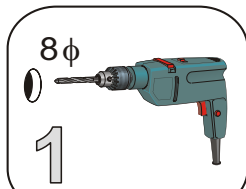
16



UP13		G16	
x54	UPØ3x16	x13	



17



L1		KR1	
x2		x2	

18

